

HomeWorks® RF Processors



RF Processor

DESCRIPTION

HomeWorks RF Processors comprise the major communication hub of a HomeWorks RF system. Each RF Processor will support up to 32 RF Keypads and up to 64 RF Dimmers. RF system devices communicate with the RF Processor via Radio Frequency.

Up to 4 RF Signal Repeaters may be used with each processor to extend the range of the RF Processor.

A maximum of 16 RF processors may be connected together in a system to support a total of 1024 RF dimmers/switches and 512 RF keypads.

MODEL NUMBERS

RF Processors

- H-RFP-1P RF Processor with 1 RS232 Port
- H-RFP-2P RF Processor with 2 RS232 Ports

JOB NAME: JOB NUMBER:	MODEL NUMBERS:
--	-----------------------

SPECIFICATIONS

Regulatory Approvals

- UL Listed (DC Adapter).
- Complies with the limits for a Class B digital device, pursuant to Part 15 of the FCC Rules.

Power

- DC Adapter:
 Input power: 120/127VAC, 50/60Hz
 Output power: 24VDC, 500mA
- Use only the DC Adapter provided by Lutron with the RF Processor.

Key Design Features

- Allows installation of HomeWorks Interactive systems in any home - new or existing.
- Can be connected to an existing HWI system or exist as a stand alone radio-frequency (RF) system.
- Graphical LCD with user-friendly menus for setup and diagnostics.
- Durable membrane keypad for user interface.

- Battery backup will maintain programming for up to 10 years under normal use.
- Built in astronomical time clock.
- Programming is done via RS-232 connection using existing HomeWorks Interactive software.
- Built in vacation and security modes.
- Advanced keypad button programming allowing sequences and use of conditional logic for keypad button press events.
- RS-232 port for integrating other equipment such as AV or HVAC.
- Field upgradeable software for the RF processor allows additional features to be used in the future.
- Plugs into a standard electrical outlet using the supplied DC Adapter; no high voltage wiring necessary.
- Fully compatible with all existing features and operation style of HomeWorks Interactive.
- Tested to withstand electrostatic discharge without damage or memory loss,

- in accordance with IEC 6100-4-2.
- Tested to withstand surge voltages without damage or loss of operation, in accordance with IEEE C62.41-1991 Recommended Practice on Surge Voltages in Low-Voltage AC Power Circuits.

System Communications and Capacity

- Each RF Processor supports up to 64 HomeWorks Maestro RF dimmers/switches or Tabletop RF Lamp dimmers.
- Each RF Processor supports up to 32 HomeWorks RF Keypads or Tabletop RF Keypads.
- A maximum of 16 RF processors may be connected together in a system to support a total of 1024 RF dimmers/switches and 512 RF keypads.

Environment

Ambient operating temperature: 0-40°C, 32-104°F, 0-90% humidity, non-condensing. Indoor use only.

Warranty

- 8 Year Limited Warranty.

FCC Information

Note: This equipment has been tested and found to comply with the limits for a Class B digital device, pursuant to Part 15 of the FCC rules. These limits are designed to provide reasonable protection against harmful interference in a residential installation. This equipment generates, uses and can radiate radio frequency energy and, if not installed in accordance with the instructions, may cause harmful interference to radio communications. However, there is no guarantee that interference will not occur in a particular installation. If this equipment does cause harmful interference to radio or television reception, which can be determined by turning the equipment off and on, the user is encouraged to try to correct the interference by one or more of the following measures:

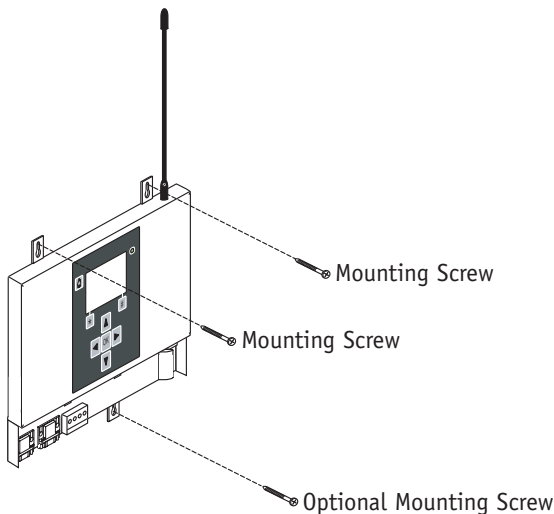
- Reorient or relocate the receiving antenna.
- Increase the separation between the equipment and receiver.
- Connect the equipment into an outlet on a circuit different from that to which the receiver is connected.
- Consult the dealer or an experienced radio/TV technician for help.

Caution: Changes or modifications not expressly approved by Lutron Electronics Co. could void the user's authority to operate this equipment.

Industry Canada Information

The term "IC:" before the radio certification number only signifies that Industry Canada technical specifications were met.

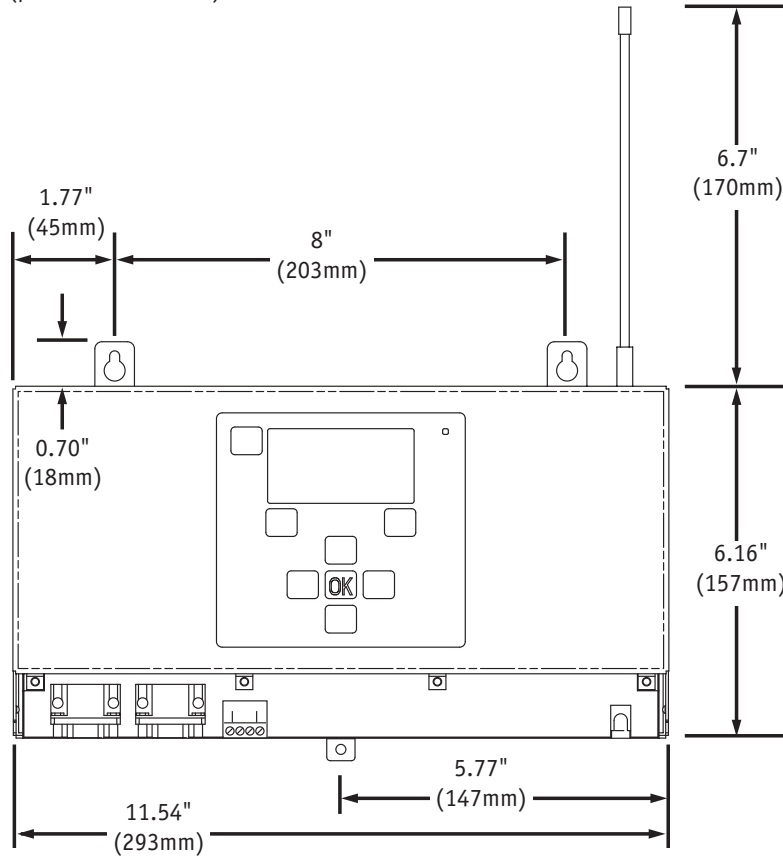
MOUNTING



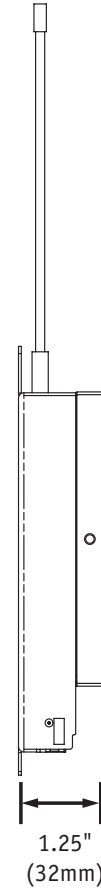
<p>JOB NAME:</p> <p>JOB NUMBER:</p>	<p>MODEL NUMBERS:</p>
--	------------------------------

DIMENSIONS

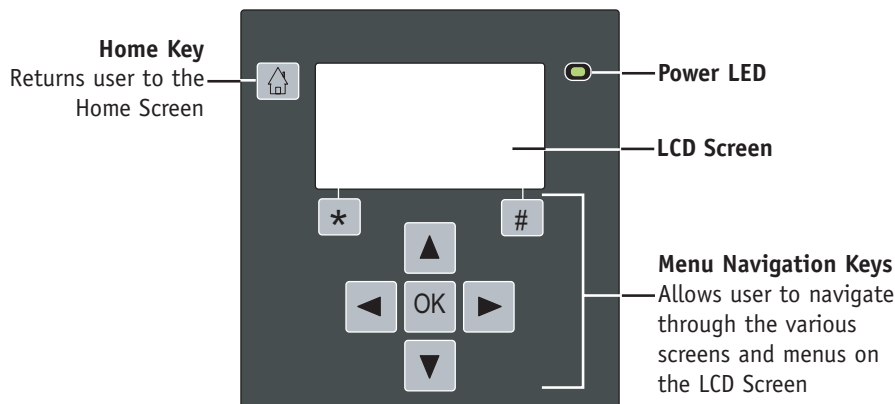
Front View
(port cover removed)



Side View

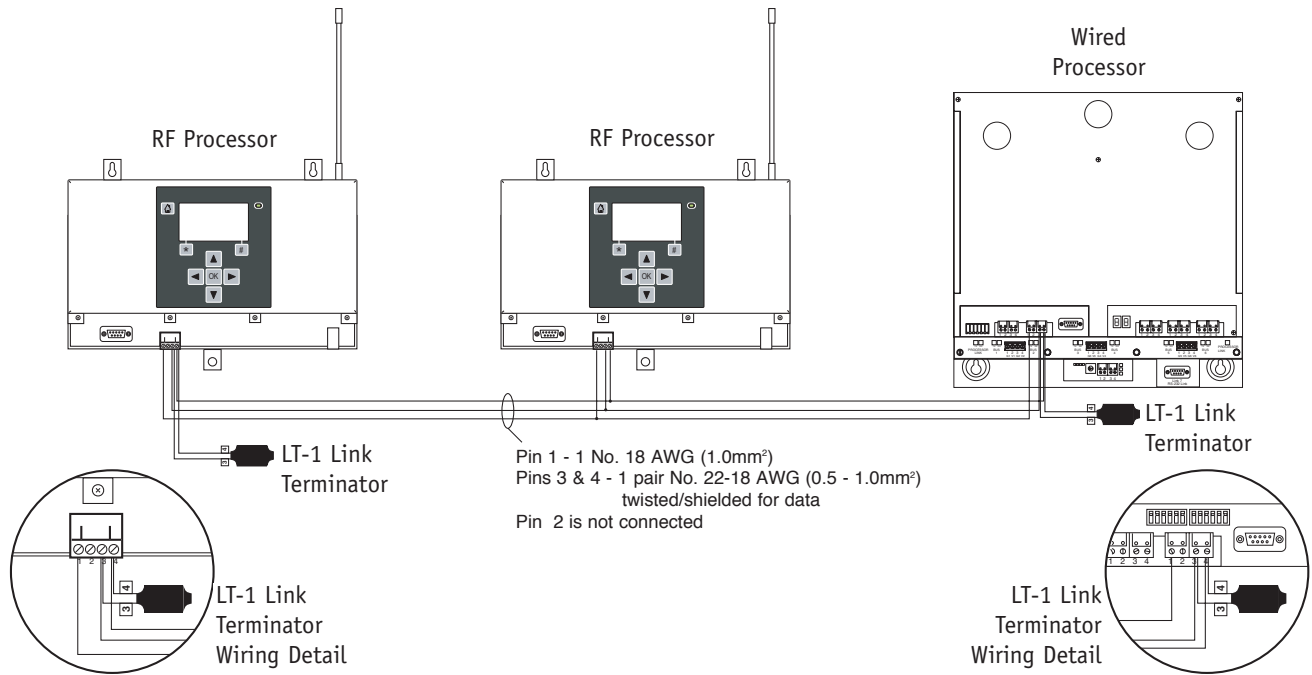


TOUCHPAD



JOB NAME:	MODEL NUMBERS:
JOB NUMBER:	

INTER-PROCESSOR WIRING



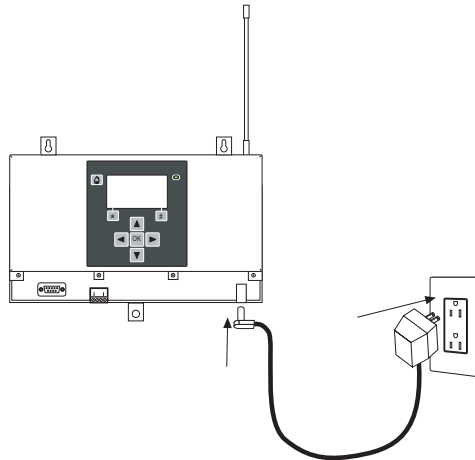
WIRING

Processor wiring must be in a daisy-chain configuration. The total length of wire on the Inter-Processor Link may be up to 1,000 ft. (305m). For wire runs exceeding 50 ft. (15m) in length, LT-1 Link Terminators must be used on the processors at both ends of the wire run. Up to 16 Processors (RF or Wired) may be connected together.

WIRE TYPE

Two pair [one pair #18 AWG (1.0mm²), one pair #22-18 AWG (0.5-1.0mm²) twisted shielded] Class 2/PELV. Lutron wire, model # GRX-CBL-346S-500, may be used.

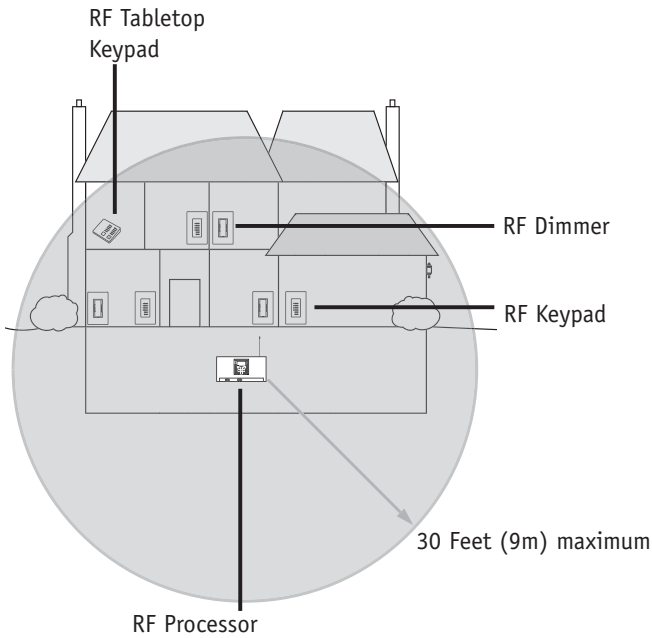
POWER SUPPLY CONNECTION



JOB NAME:	MODEL NUMBERS:
JOB NUMBER:	

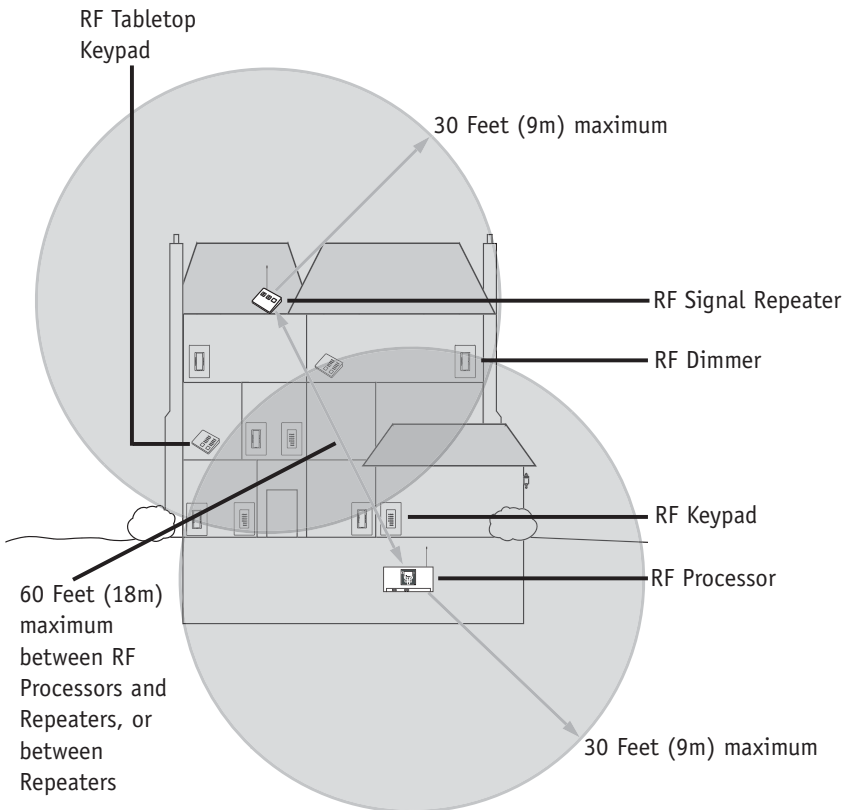
Home A: 2500 sq. ft. (232m²) or less - all RF devices within 30' (9m) of RF Processor

SYSTEM COMMUNICATION NOTES



- RF Dimmers and Keypads must be located within 30 feet (9.14m) of an RF Signal Repeater or an RF Processor. Multiple repeaters may be necessary to provide adequate coverage.
- RF Dimmers cannot be controlled and RF Keypads will not function until they are addressed and programmed. See the HomeWorks Interactive Programming Utility online help.
- RF Processors and RF Signal Repeaters provide RF coverage for an area of approximately 2500 sq. ft. (m²). One (1) RF Processor with four (4) RF Signal Repeaters will cover an area of approximately 12,500 sq. ft. (m²). Additional RF Processors with associated RF Signal Repeaters may be added to provide larger coverage areas.

Home B: 2500 sq. ft. (232m²) or greater - some RF devices more than 30' (9m) from RF Processor



JOB NAME:	MODEL NUMBERS:
JOB NUMBER:	