



**Sivoia QED™
Wireless Roller 64™
for HomeWorks®**

Installation
Instructions

 **LUTRON**
shading solutions by **VIMCO™**

Sivoia QED™ | Wireless Roller 64 for HomeWorks

Installation Instructions

Tools Required:

- | | |
|-------------------------|----------------------|
| Tape Measure | 1/4" Hex-Head Driver |
| Wire Cutter/Stripper | Level |
| Pliers | Power Drill |
| #2 Phillips Screwdriver | |

Notes:

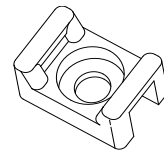
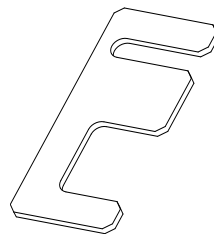
- 1) For Wireless Roller 64 programming refer to the HomeWorks® Illumination Online Help.
- 2) The Electronic Drive Unit (EDU) will need to be powered to complete installation. Wireless Shades will not function until they are addressed and programmed using the HomeWorks® Illumination Software.

Box Contents:

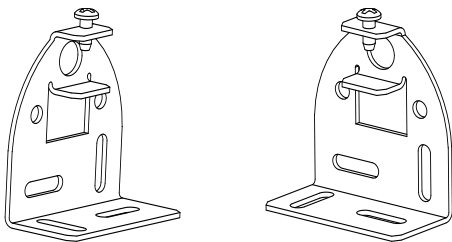
Sivoia QED™ Wireless Roller 64



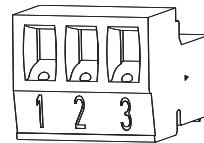
(2) Bracket Leveling Spacer (2) Cable Tie Anchor



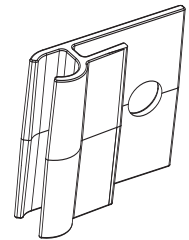
Standard Mounting Brackets with Retaining Screws



(1) 3 Pin Terminal Block



(2) Antenna Mounting Clips



(5) Mounting Screws
(#8x1-3/4" (#8x44mm) Hex Head Screws)



(Actual Size)

(2) 4" (102mm) Cable Ties



(1) Programming Stylus



(1) Screwdriver



Sivoia QED™ | Wireless Roller 64 for HomeWorks

Installation Instructions (continued)

Warning: Incorrect installation can lead to severe injury, follow all installation instructions.

Notes:

- The Sivoia QED Wireless Roller 64 must be used only with window treatments approved by Lutron.
- There must be a clearance of at least 1.3 feet (0.4 meters) between the fully lowered system and any permanent object.
- Installation shall be executed by a qualified electrician according to national wiring rules.
- Before shade installation, remove any unnecessary cords and disable any equipment not needed for powered operation. The Sivoia QED Wireless Roller 64 has a maximum rated operating time of 8 min. out of 20.
- **Codes:** Install in accordance with all local and national electrical codes.
- **Environment:** Ambient operating temperature: 0-40°C, 32-104°F, 0-90% humidity, non-condensing. Indoor use only.

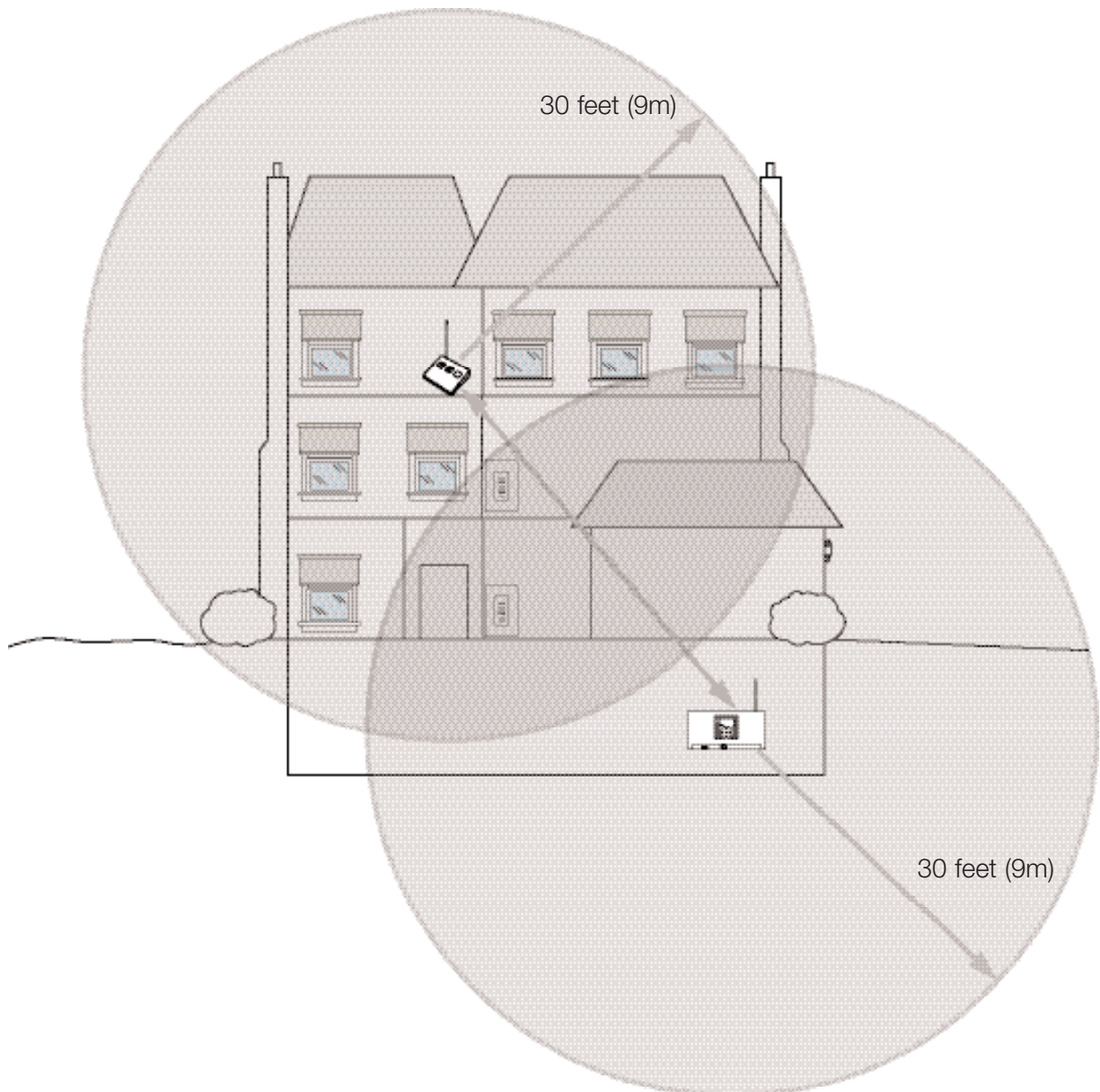
Sivoia QED™ | Wireless Roller 64 for HomeWorks

Installation Instructions (continued)

- **RF Device Placement:** Wireless shades must be located within 30 feet (9m) of an RF Signal Repeater or an RF Processor. The distance between repeater and processor must be less than 60 feet (18m).

Wireless shades will not function until they are addressed and programmed. See the HomeWorks Illumination Software Online Help.

Wireless shades are programmed with a personal computer using the HomeWorks Illumination Software.

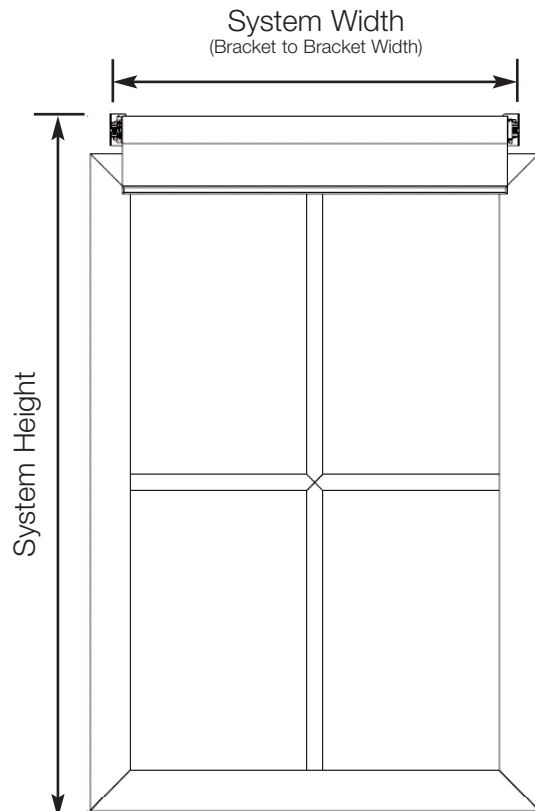
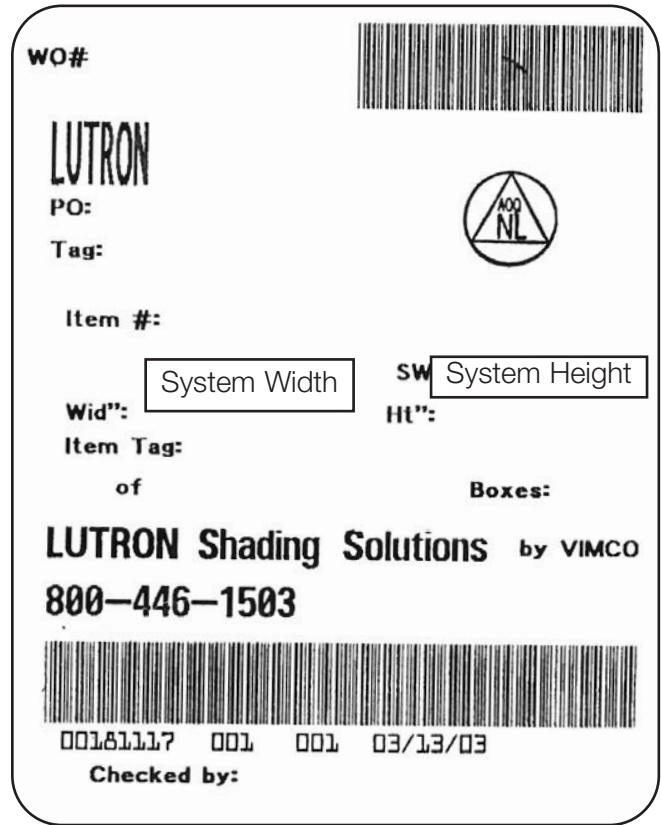


1 Confirm System Dimensions

1.1

Compare system dimensions on the package label with the window dimensions to verify appropriate window/shade combination.

Package Label



2

Position the Mounting Brackets

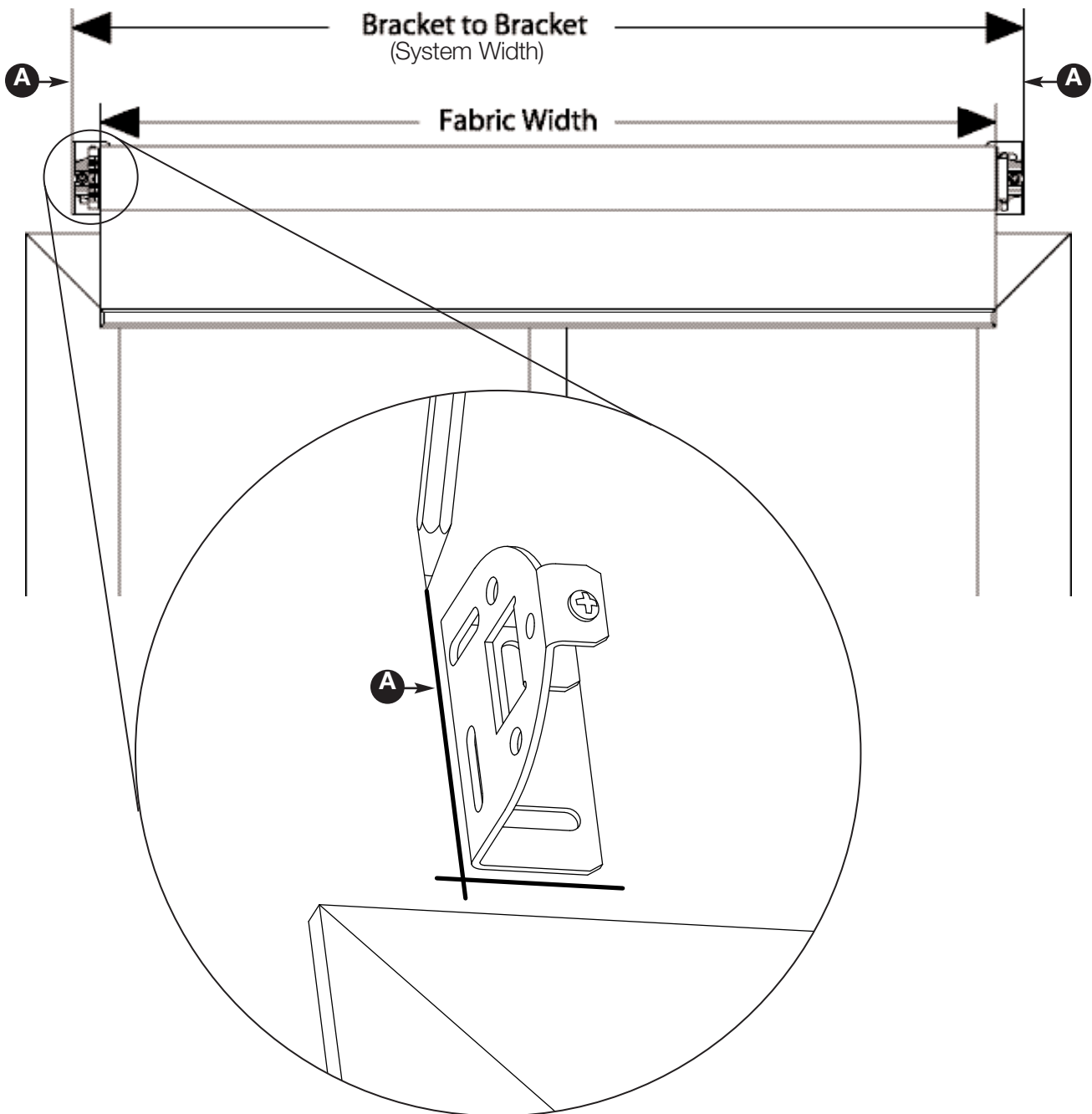
2.1

Mark the location of the mounting brackets so that they are centered over the window.

Note: Bracket to Bracket distance = Fabric Width + 1.5" (38 mm) = System Width.

Note: For ceiling and jamb mount, allow clearance to prevent fabric from rubbing against trim, window, top treatment, etc.

Note: Wall mount may require blocks (not provided) to clear trim.



3

Install the Mounting Brackets

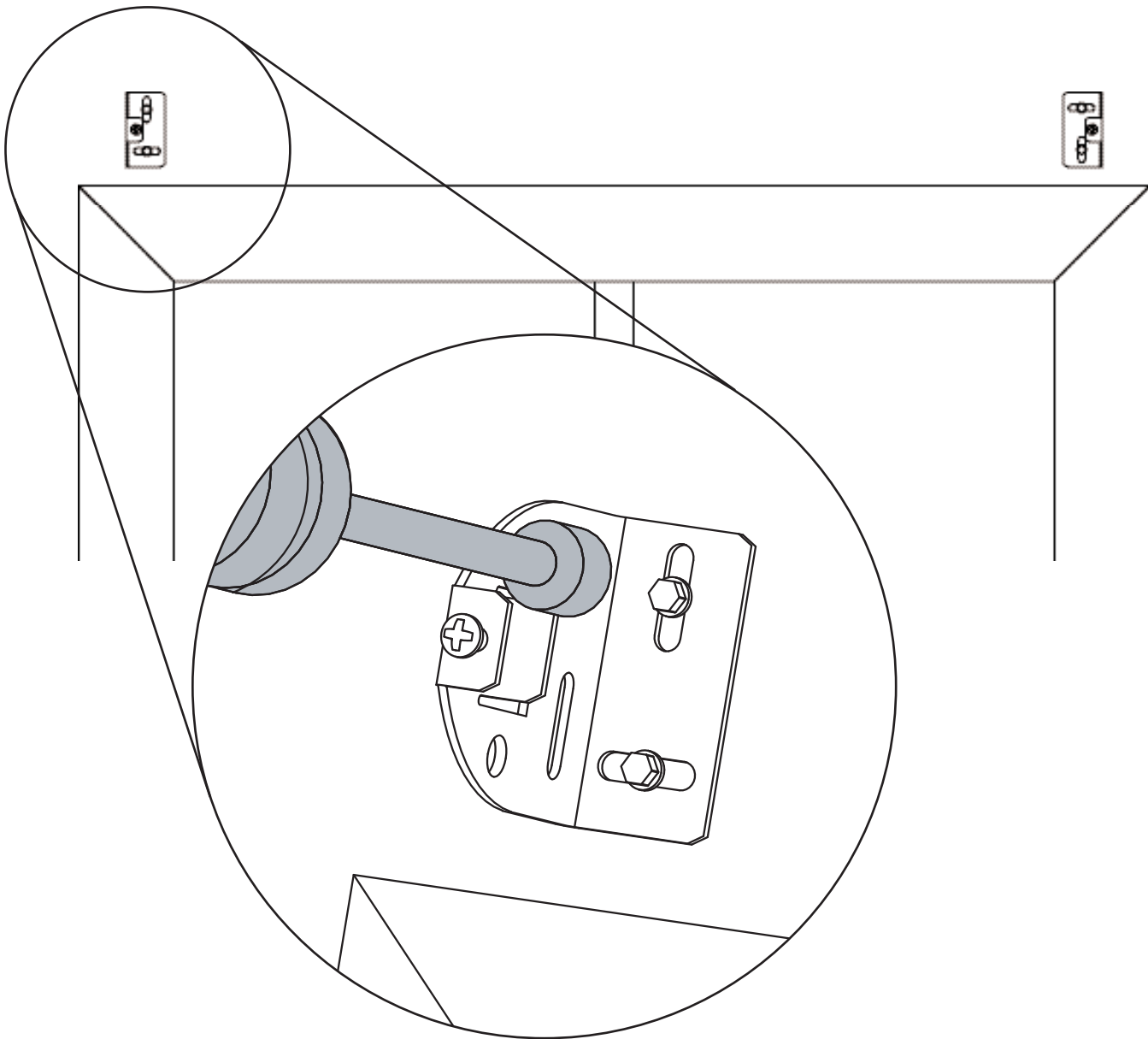
3.1

Install the first mounting bracket.

3.2

Install the second mounting bracket.

Note: Put a screw in the center of each slot. Use slots as needed to ensure brackets are level and plumb as positioned.



4

Pre-drill for Cable Run



DANGER - Locate and lock breaker to the shade power supply in the OFF position or unplug the power plug-in transformer before doing any wiring.

4.1

Wall Mount

Choose one of the options below to drill for cable access.

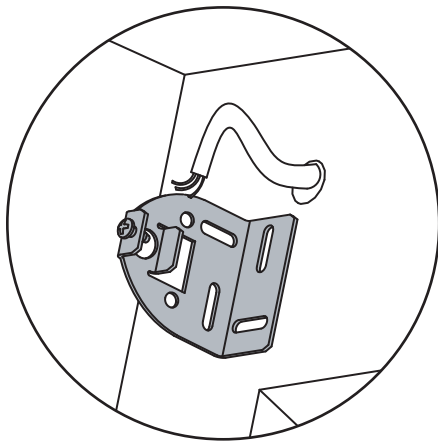
Note: Cable should exit from wall, ceiling, or jamb on EDU side of system.

Note: Leave 12-18" (30-45 cm) of cable exposed.

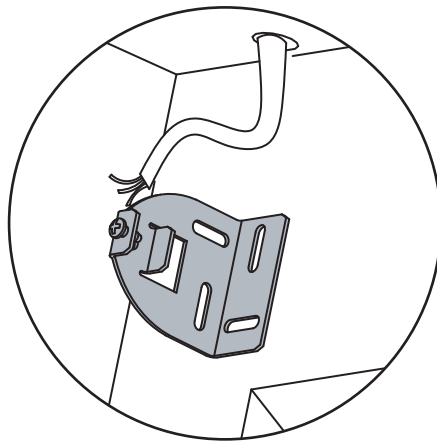
Wall Mount with wires through:

- A) Wall: 1" in from end of system and .5" from top of bracket
- B) Ceiling: .5" in from end of system and .5" from mounting wall
- C) Jamb: 1" from top of bracket and .5" from mounting wall

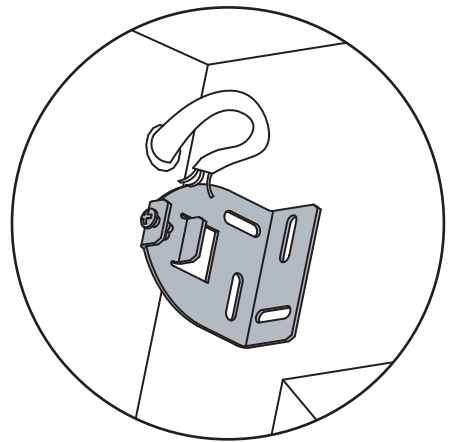
Wall Mount



A



B



C

4

Pre-drill for Cable Run: (continued)

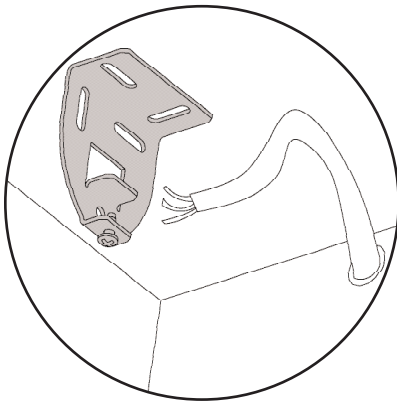
4.2

Ceiling Mount

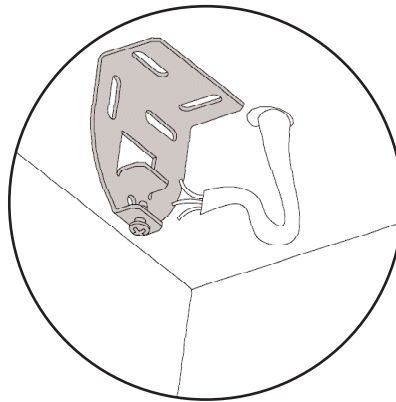
Ceiling Mount with wires through:

- A) Wall: 1" in from end of system and .5" from ceiling
- B) Ceiling: 1" in from end of system and .5" from back of bracket
- C) Jamb: 1" from back of bracket and .5" from ceiling

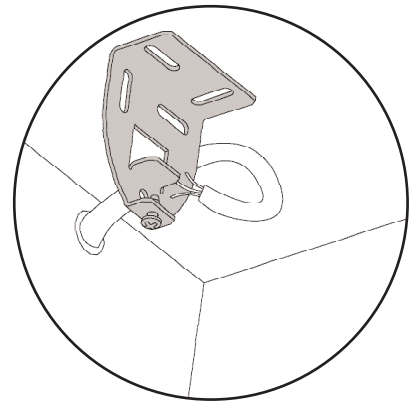
Ceiling Mount



A



B



C

4

Pre-drill for Cable Run: (continued)

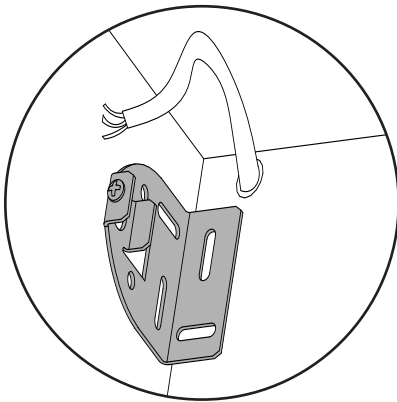
4.3

Jamb Mount

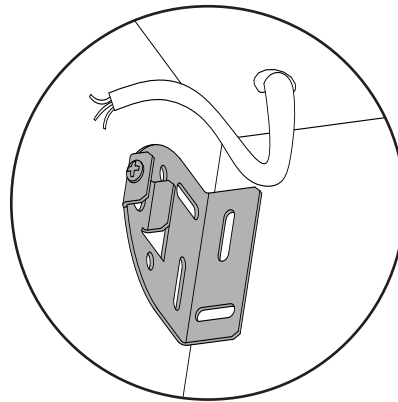
Jamb Mount with wires through:

- A) Wall: .5" from ceiling and .5" from outside of jamb
- B) Ceiling: .5" from wall and .5" from outside of jamb
- C) Jamb: .5" from ceiling and .5" from wall

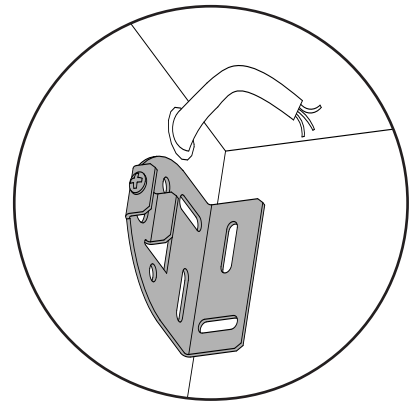
Jamb Mount



A



B

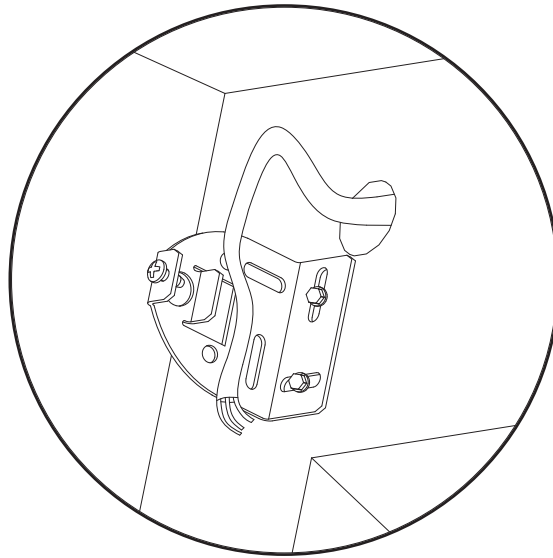


C

5 Wire 3-Pin Terminal Block

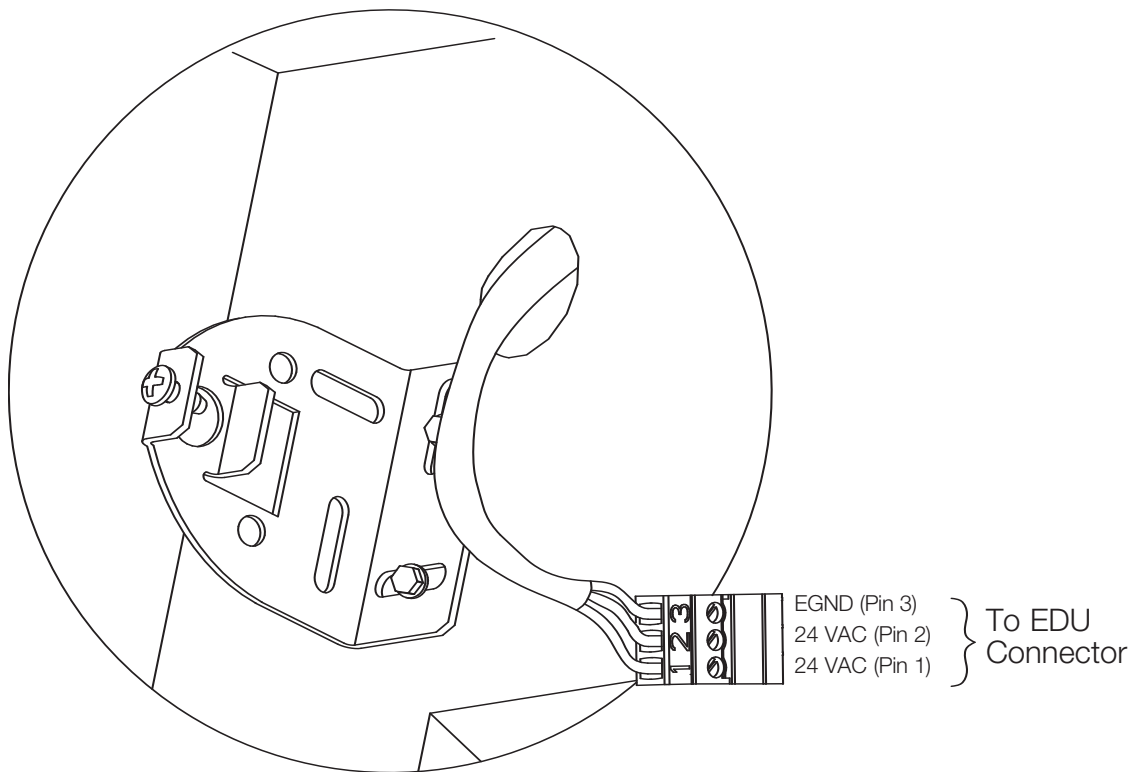
5.1

Strip 2" of jacket off cable run from the wall.



5.2

Wire 3-Pin terminal block (provided) to cable using the included screwdriver.



6

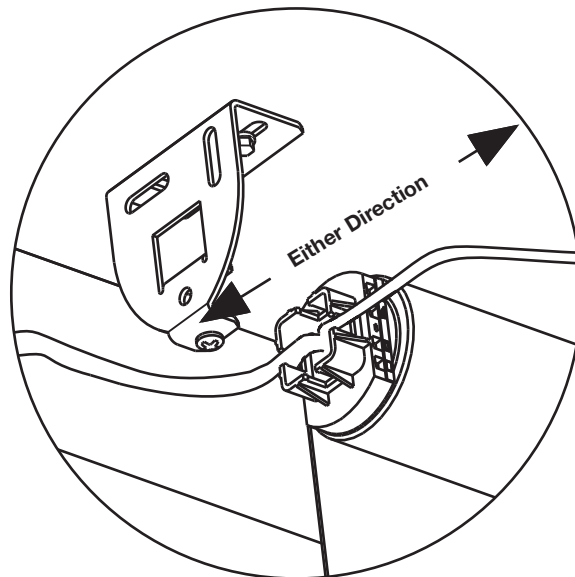
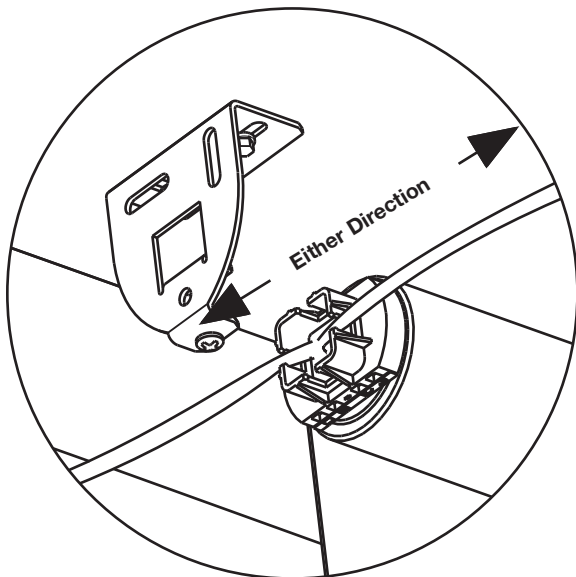
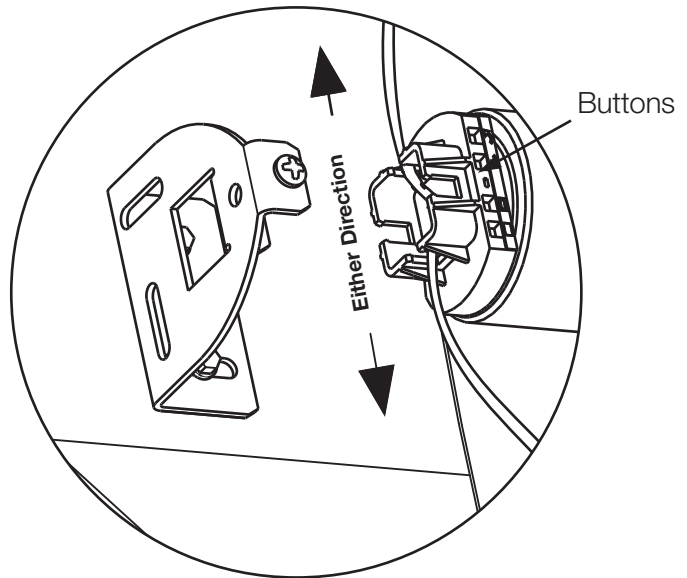
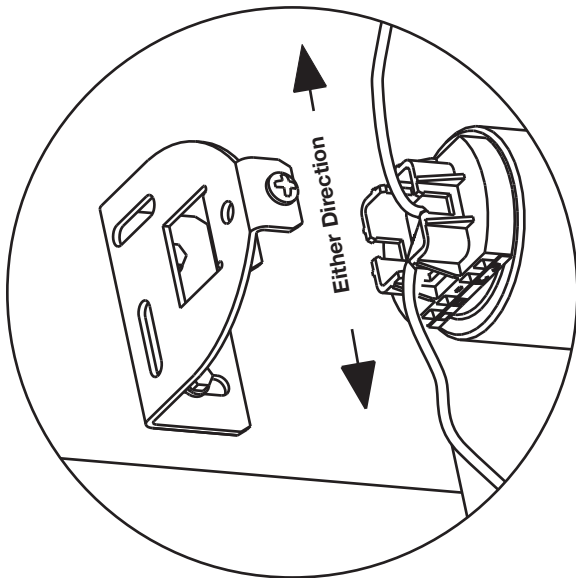
Orient the Buttons and Wiring

6.1

For the following bracket and button orientations, route the wires as shown.

Note: The buttons should be accessible when the shade is installed

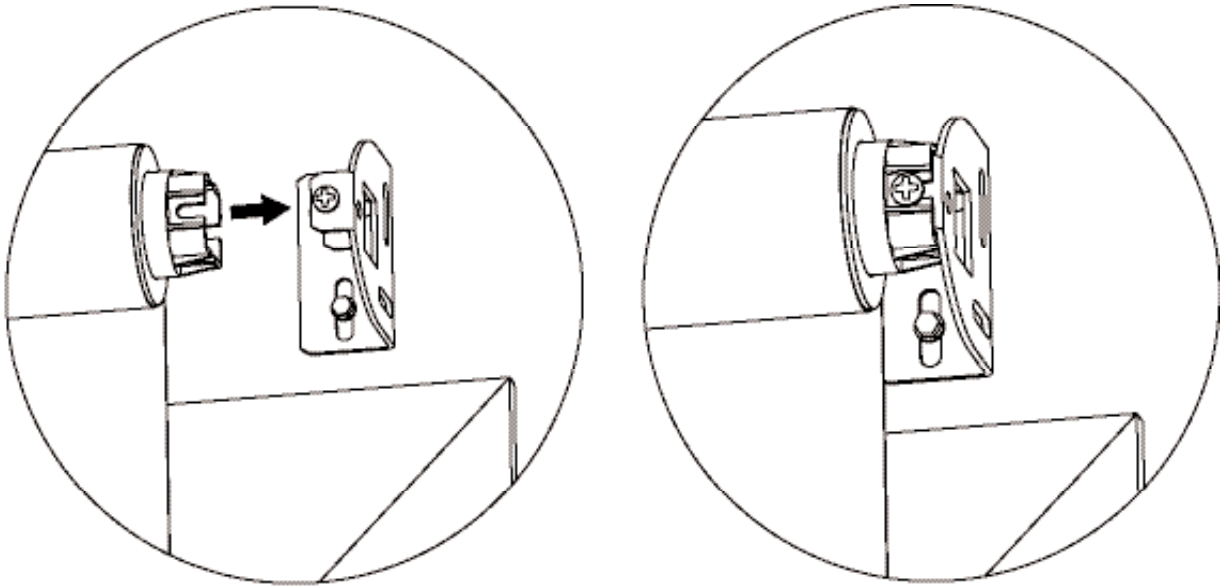
Note: The wires may go in either or both of the indicated slots



7 Mount the Shade

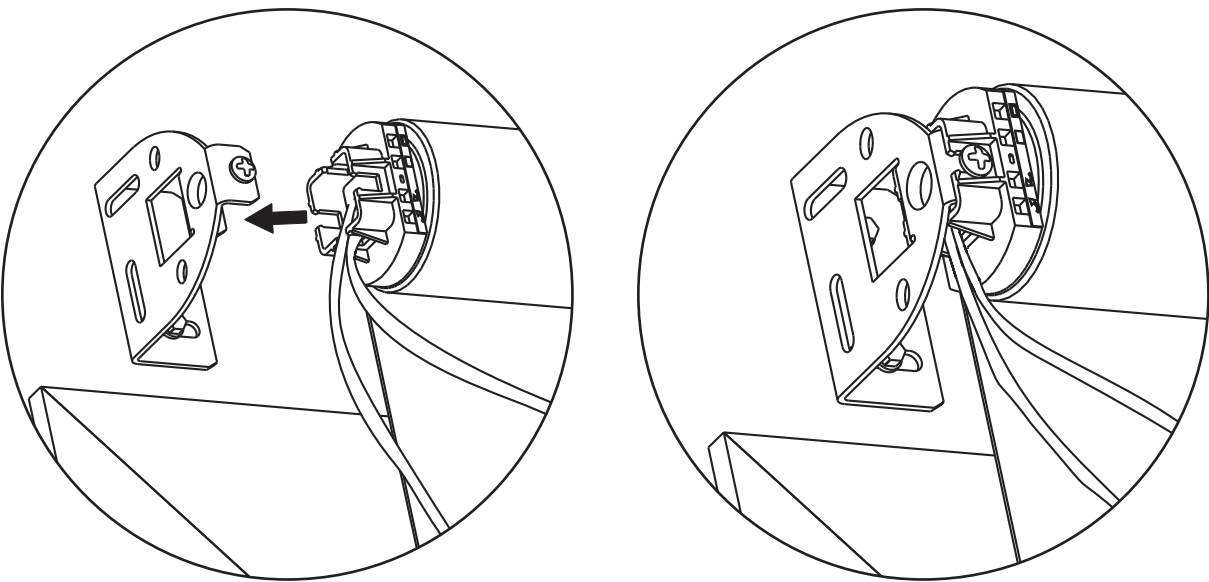
7.1

Install the idler side of the shade onto its bracket.



7.2

Depress the spring loaded idler by pressing the shade towards the idler, and install the EDU side of the shade onto its bracket.

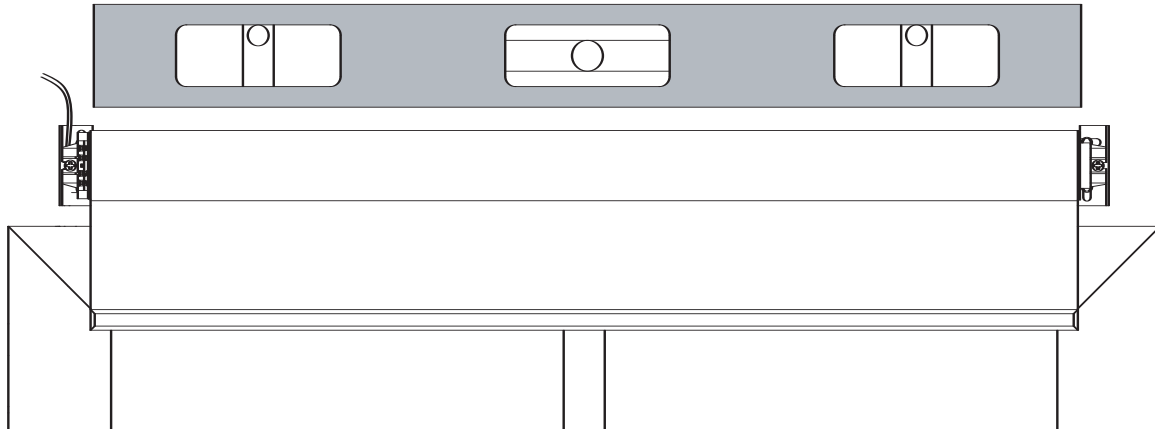


8

Adjust the Shade

8.1

Ensure that the shade is level and centered.



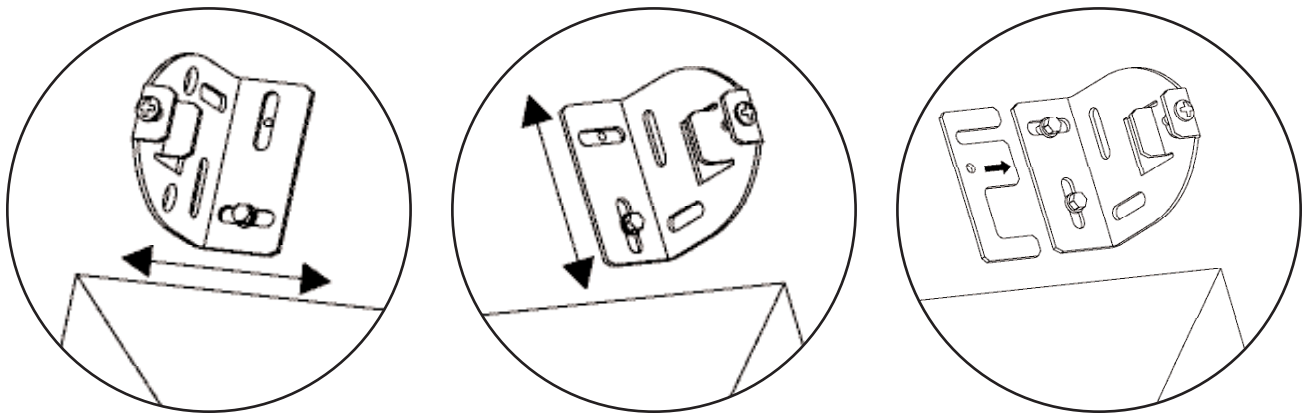
8.2

Adjust shade by removing the necessary screws and moving the brackets as needed, or installing bracket leveling spacers.

Note: You may have to remove the shade to access the bracket screws.

8.3

Reinstall and tighten the screws.



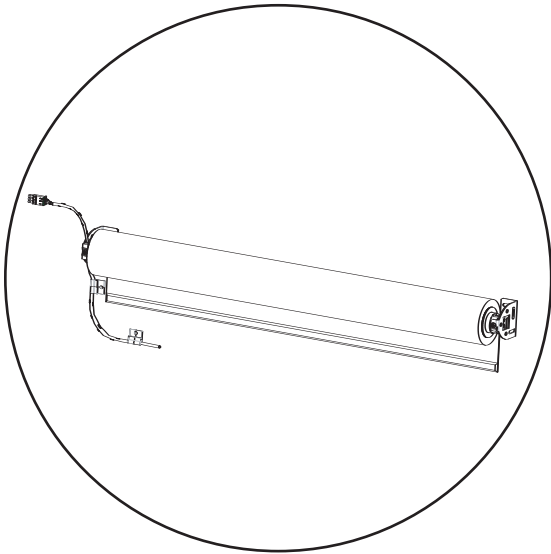
9

Secure the Antenna

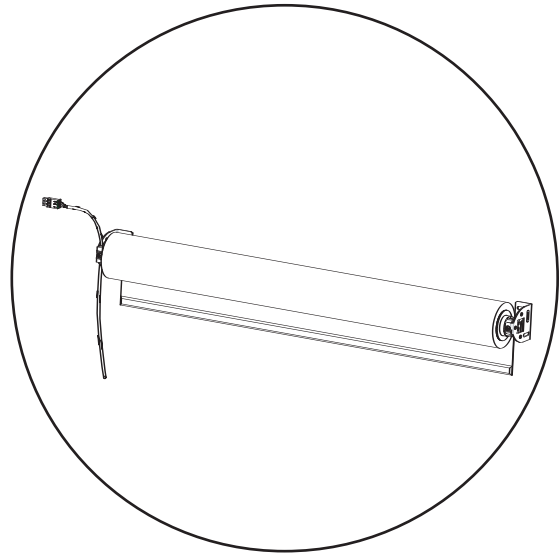
9.1

For optimal performance secure the antenna in 1 of 3 configurations shown below using the antenna clips provided.

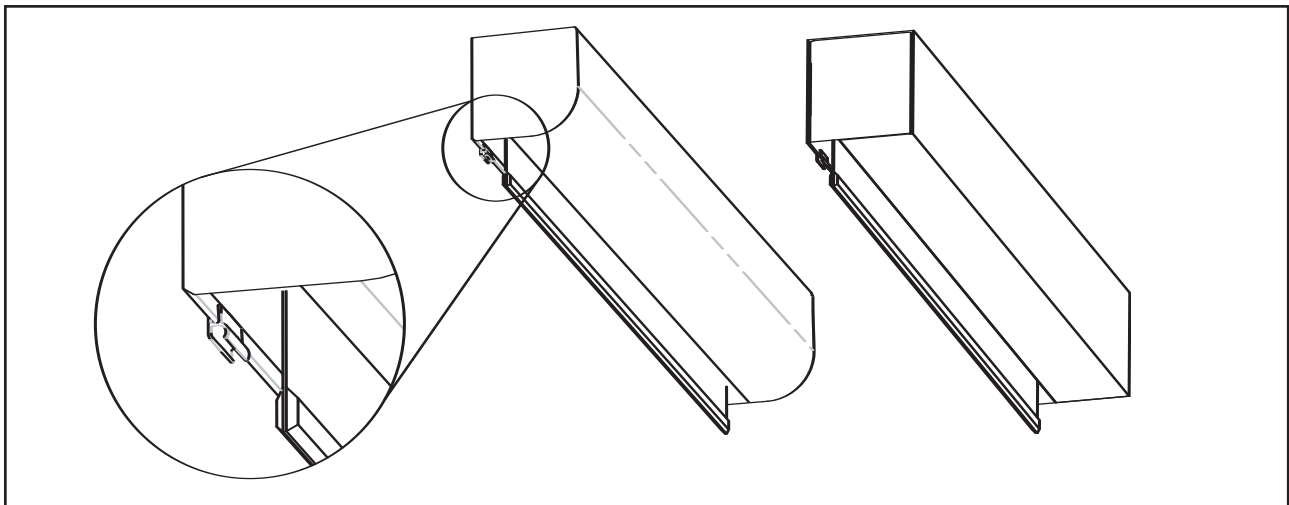
WARNING: - The antenna is covered with a clean Plastic sleeve to protect it. Do not cut the antenna or remove the plastic sleeve. Do not modify the antenna.



Antenna mounted parallel with shade use these configurations. When Pocket or Fascia is not used.



Antenna mounted straight down.



Antenna clipped to bottom of Pocket or Fascia - This configuration provides optimal performance with metal Fascia.

Note: Lutron has tested this product with the antenna mounted in the configurations above and found that these provide optimal performance.

10 Connect Terminal Blocks

10.1

Plug 7-pin terminal block on cable into EDU terminal block attached to shade bracket (a cable tie can be used to secure the terminal blocks together).

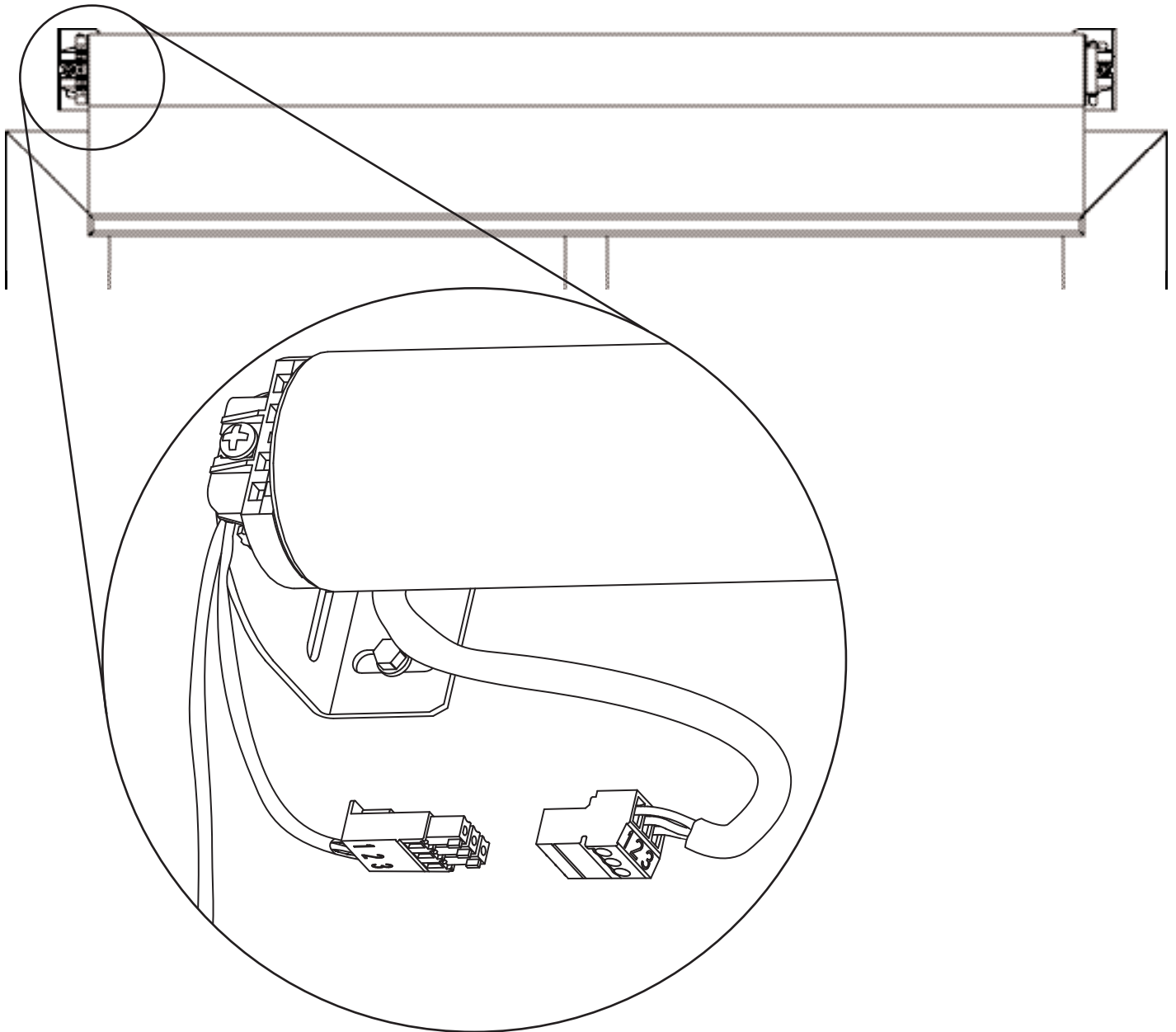
10.2

Dress wires to ensure fabric does not rub while the shade is moving.

WARNING: Do not cut wires coming out of shade. Doing so will damage the antenna.

10.3

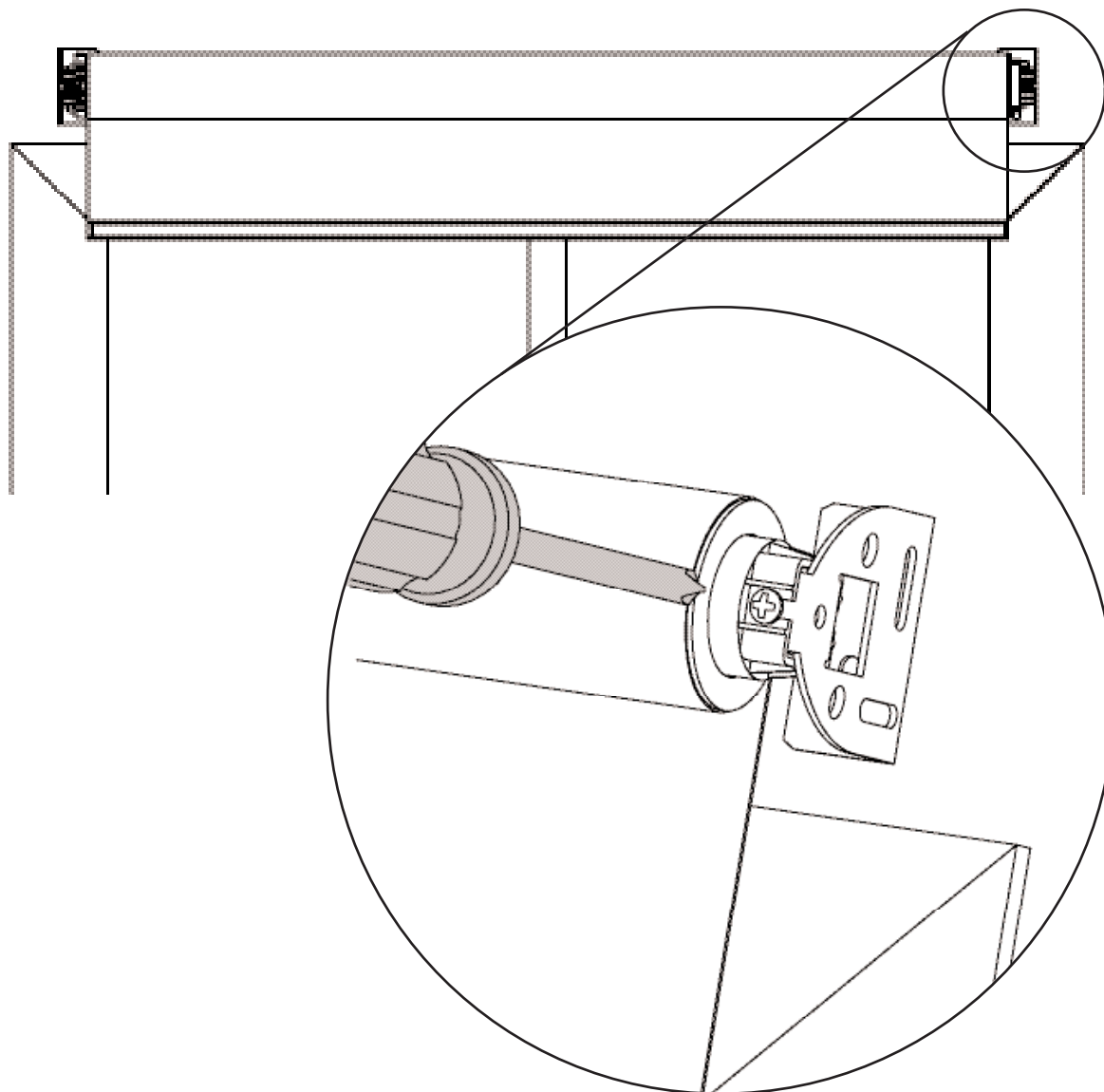
Copy the serial number located on every shade's harness and shade location on page 21 of this manual. This will ease addressing and programming later on the installation.



11 Secure and Check the Shade

11.1

Tighten retaining screws in each bracket to secure the shade.



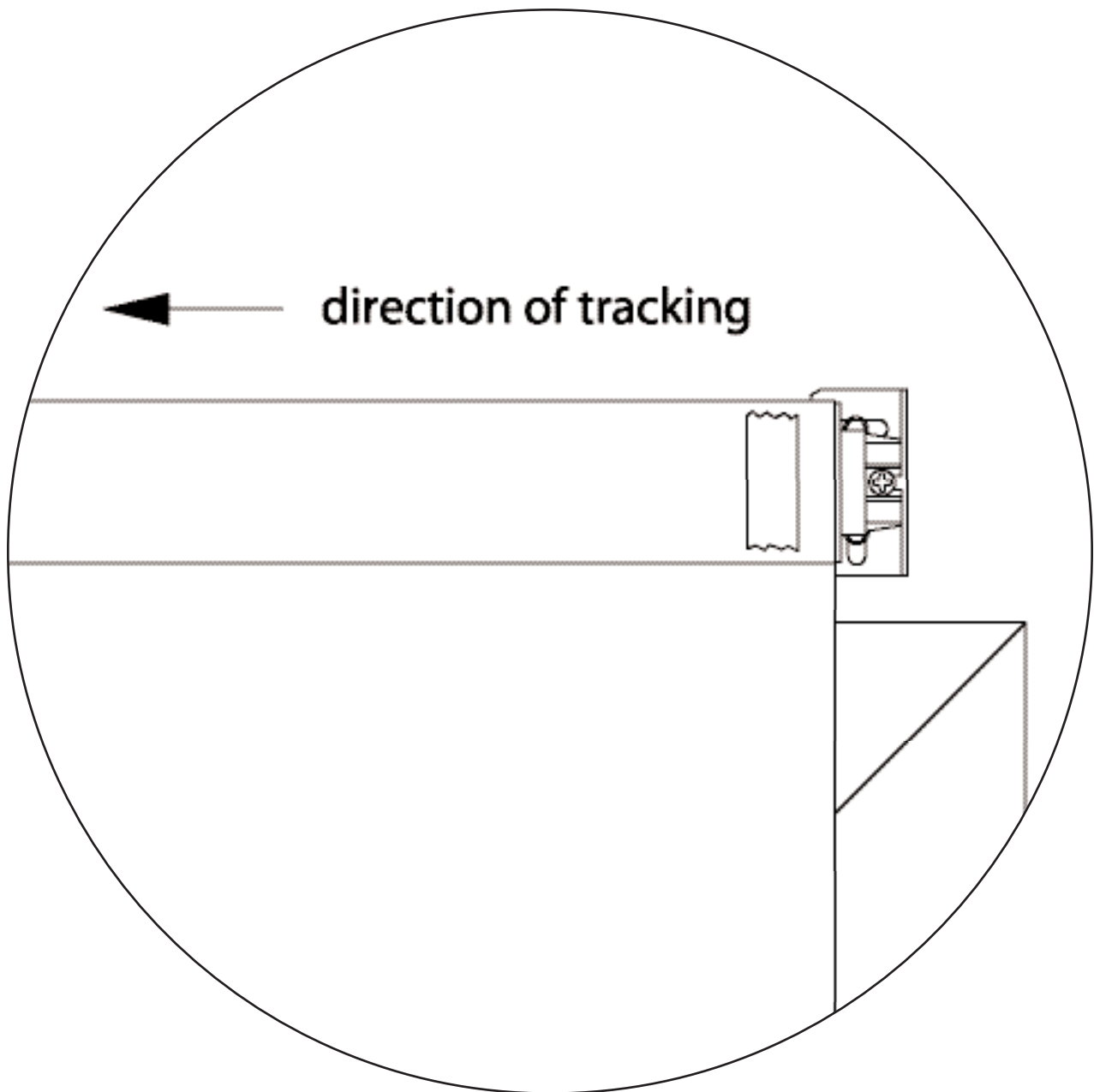
11.2 Secure and Check the Shade (continued)

Reconnect power to the shade power supply.

Use the programming stylus to run the shade up and down using the adjustment buttons (↕), re-level if needed.

Observe: Pay careful attention to the shade roll up to ensure that it does not telescope extremely to one side or the other.

Tip: Slight telescoping is normal. However, if the shade is telescoping severely to one side and it is level, press the “Close Limit Button” (■), and lower the shade all the way down using the adjustment buttons (↕). Place a piece of tape on the side of the tube that the fabric is telescoping away from when finished press the “Close Limit Button” (■) once. This technique is referred to as “SHIMMING”. The shade will always track towards the side that the tape (shim) is placed on.




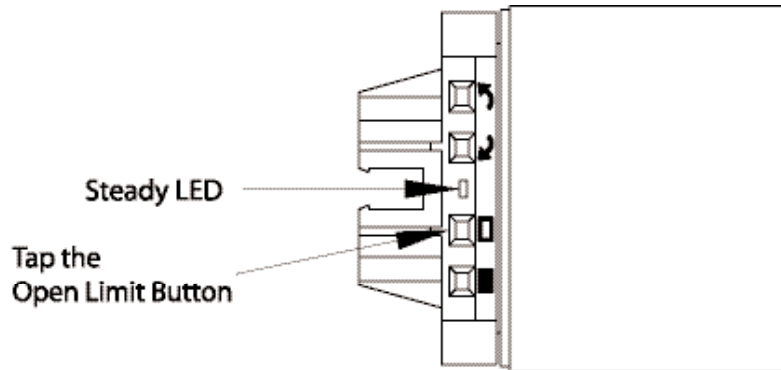
12 Setting Limits from the EDU

Setting the Open Limit from the EDU

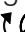
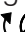
Note: Setting the Open Limit lower than the Close Limit will cause the shade to move down when raise is pressed and up when lower is pressed.

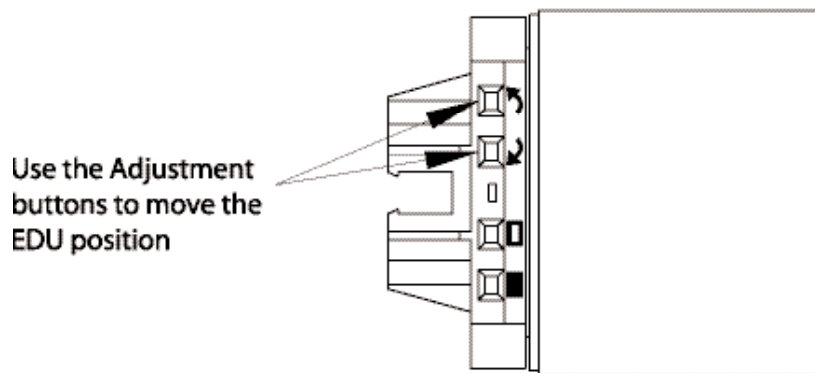
12.1

Tap the “Open Limit Button” (), the green LED on the roller shade EDU will turn on steady, indicating that the EDU is in “Set Open Limit Mode.”




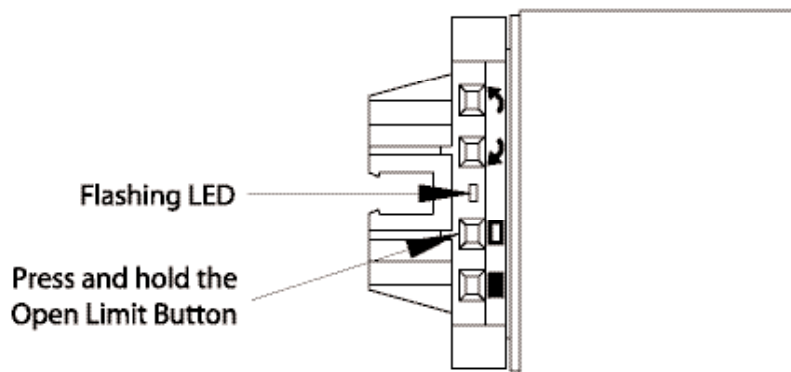
12.2

Adjust the position of the EDU to the desired Open Limit using the adjustment buttons ( ).



12.3

Press and hold the “Open Limit Button” () for 5 seconds. The green LED on the roller shade EDU will flash for 2 seconds, then go dark, indicating that the current position has been stored as the Open Limit.

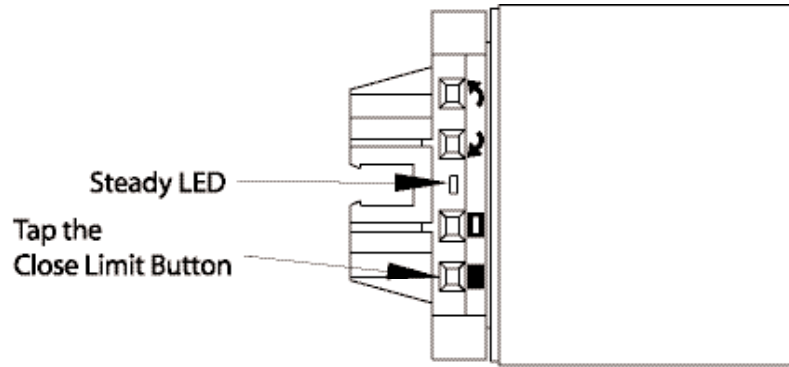


12 Setting Limits from the EDU (continued)

Setting the Close Limit from the EDU

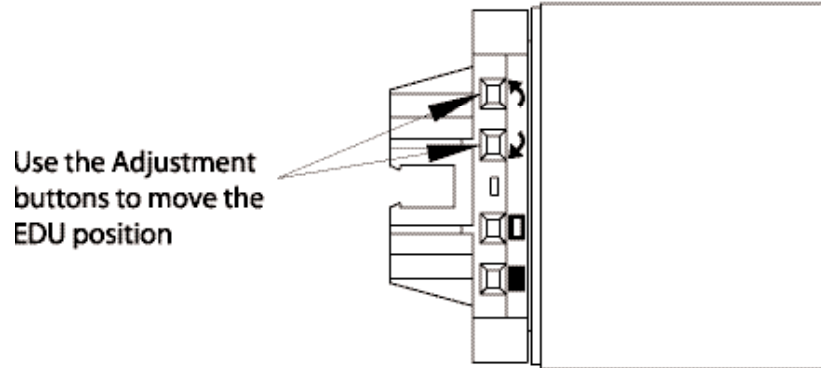
12.4

Tap the “Close Limit Button” (■). The green LED on the roller Shade EDU will turn on steady, indicating that the EDU is in “Set Close Limit Mode”.



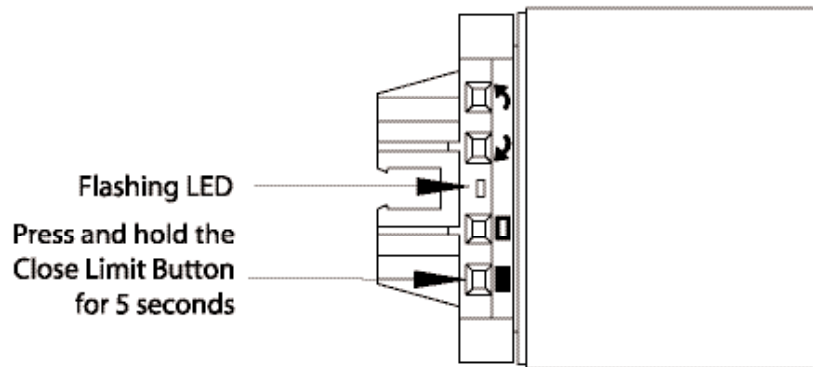
12.5

Adjust the position of the EDU to the desired Close Limit using the adjustment buttons (↶↷).



12.6

Press and hold the “Close Limit Button” (■) for 5 seconds. The green LED on the roller shade EDU will flash for 2 seconds, then go dark, indicating that the current position has been stored as the Close Limit.



13

Finish System Programming

The Sivoia QED shade is now installed, wired, and the OPEN/CLOSE limits for each shade have been set.

The next step is to finish programming the system, using the HomeWorks Illumination Software.

14

Troubleshooting

Symptom

Shade will not move using
adjustment buttons on EDU...

Solution

...EDU is not powered - check EDU Power.
By unplugging and re-plugging in EDU.
LED should light for 5 seconds.
...Shade is caught on something - free shade.
...Shade is not programmed to keypad or event.

Shade does not fully open or fully close...

...Limits have been set incorrectly - refer to “set
open limit” and “set close limit” sections on re-set
limits using HW1 Software.
...Shade fabric is caught on something - free shade.

Fabric not level...

...Check that brackets are mounted level.
...Check that fabric is tracking correctly on
the shade tube.

Fabric not centered over window...

...Check that brackets are centered.

Shade does not move smoothly...

...Check for binding of shade fabric on side
channels.
...Check fabric tracking.

Wireless Shade can not be addressed....

...Shade is out of RF communications range.
Move RF signal repeater or RF processor to
within 30 feet (9m) of shade.

Shade	Location	Serial Number	Shade	Location	Serial Number
1			33		
2			34		
3			35		
4			36		
5			37		
6			38		
7			39		
8			40		
9			41		
10			42		
11			43		
12			44		
13			45		
14			46		
15			47		
16			48		
17			49		
18			50		
19			51		
20			52		
21			53		
22			54		
23			55		
24			56		
25			57		
26			58		
27			59		
28			60		
29			61		
30			62		
31			63		
32			64		

Technical Assistance

WORLD HEADQUARTERS

Lutron Electronics Co., Inc.
7200 Suter Road
Coopersburg, PA 18036
United States
Tel: +1-610-282-3800
Fax: +1-610-282-1243

CUSTOMER SERVICE/ORDERING

USA +1-888-LUTRON1
08.00 - 20.00 EST

CUSTOMER SERVICE /E-MAIL

shadinginfo@lutron.com

TECHNICAL SUPPORT & SERVICES

USA +1-800-523-9466 –
24 hours/7 days

INTERNET:

www.lutron.com

Limited Warranty

Lutron offers an 8-year limited warranty for our shading systems. Please contact customer service or visit our website for a complete warranty statement.

Lutron reserves the right to make improvements or changes to these products without prior notice. Although every attempt is made to ensure that this information is accurate and up to date, please check with Lutron to confirm product availability, the latest specifications, and suitability for your application.

These products may be covered by one or more of the following US patents:

5,983,783

and corresponding foreign patents.
US and foreign patents pending.

Lutron, the Sunburst logo, and Sivoia are registered trademarks, and Sivoia QED is a trademark of Lutron Electronics Co., Inc.

FCC Information

NOTE: This equipment has been tested and found to comply with the limits for a Class B digital device, pursuant to part 15 of the FCC rules. These limits are designed to provide reasonable protection against harmful interference in a residential installation. This equipment generates, uses and can radiate radio frequency energy and, if not installed and used in accordance with the instructions, may cause harmful interference to radio or television reception, which can be determined by turning the equipment off and on, the user is encouraged to try to correct the interference by one or more of the following measures:

- Reorient or relocate the receiving antenna.
- Increase the separation between the equipment and receiver.
- Connect the equipment into an outlet on a circuit different from that to which the receiver is connected.
- Consult the dealer or an experienced radio/TV technician for help.

Caution: Changes or modifications not expressly approved by Lutron Electronics Co. could void the user's authority to operate this equipment.

Industry Canada Information

The term "IC" before the radio certification number only signifies that Industry Canada technical specifications were met.