

seeTemp™ Wall Display
LRD-WST-F, LRD-WST-C
24 V~ or 120 V~ 50/60 Hz 0.1 A
Typical Power Consumption*: 1 W

Important Notes

Codes: Install in accordance with all local and national electrical codes.

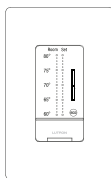
Environment: Ambient operating temperature: 32 °F to 104 °F (0 °C to 40 °C), 0 to 90% humidity, non-condensing. Indoor use only.

Wallplates: Use only Lutron® wallplates with these devices. The mechanical design of the *seeTemp* Wall Display is NOT compatible with non-Lutron wallplates. Non-Lutron wallplates will NOT sit flush against the wall. Claro® and Satin Colors® wallplates are strongly recommended for best color match and clean aesthetic appearance. Do not paint controls, buttons, or wallplates.

Cleaning: To clean, wipe with a clean damp cloth. DO NOT use any chemical cleaning solutions.

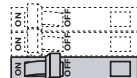
Wallboxes: All *seeTemp* Wall Display units require a U.S. wallbox. 3 1/2 in (89 mm) deep recommended, 2 1/4 in (57 mm) deep minimum.

RF Device Placement: RF must be located within 30 ft (9 m) of an RF signal repeater.



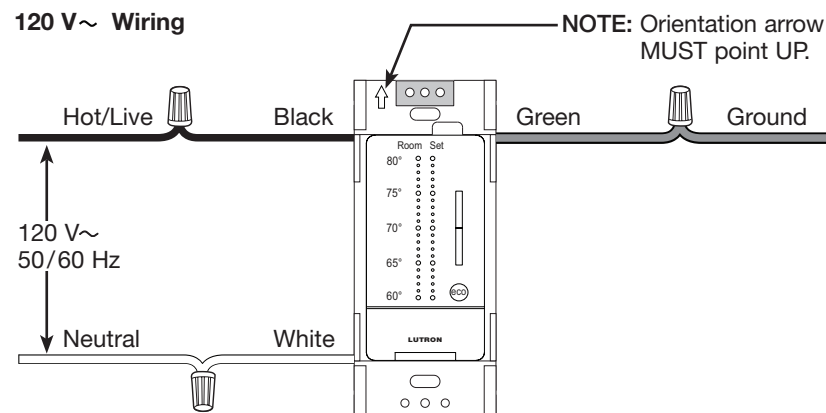
Installation

WARNING: Shock Hazard. To avoid the risk of electric shock, locate and remove fuse or lock circuit breaker in the OFF position before proceeding. Wiring with power ON could result in serious injury or death.

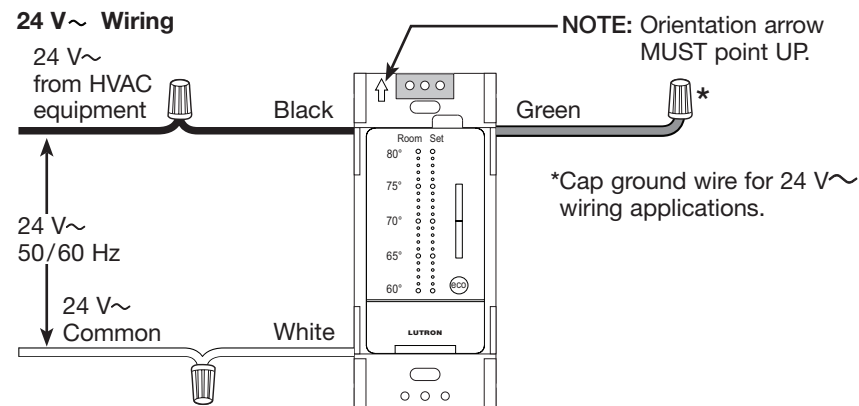


- Turn power OFF at fusebox or circuit breaker.
- Prepare wires. When making wire connections, follow the recommended strip lengths and combinations for the supplied wire connectors. Note: Wire connectors provided are suitable **for copper wire only**.
 - Strip insulation 3/8 in (10 mm) for 14 AWG (1.5 mm²).
 - Strip insulation 1/2 in (13 mm) for 18 AWG (0.75 mm²).
 - Use to join one 14 AWG (1.5 mm²) with one 18 AWG (0.75 mm²) wires.
- Wire control.

120 V~ Wiring



24 V~ Wiring



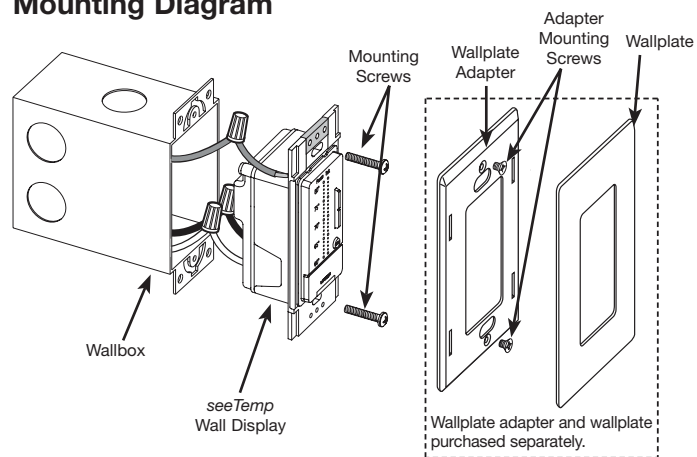
4. Push all wires back into the wallbox and loosely fasten the control to the wallbox using the *seeTemp* Wall Display mounting screws provided. Do not pinch the wires. See **Mounting Diagram** below.

*Typical Power Consumption test conditions: all backlights on medium intensity, two LEDs on *seeTemp* Wall Display powered at 120 V~

Technical Assistance | 24 hours a day, 7 days a week | www.lutron.com
U.S.A./Canada: 1.800.523.9466 | Mexico: +1.888.235.2910 | Other Countries: +1.610.282.3800

Lutron Electronics Co., Inc.
7200 Suter Road | Coopersburg, PA 18036-1299
Printed in the U.S.A. 11/2010 P/N 041-298 Rev. A

Mounting Diagram



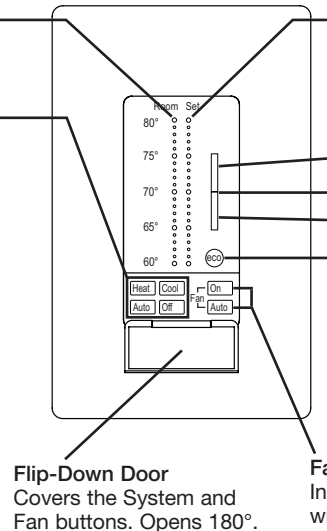
seeTemp® Wall Display

Room Temperature LEDs
Column of LEDs that display the current room temperature.

System Buttons
Indicates the current system setting. When selected, buttons will light up according to the following:
Heat - Red
Cool - Blue
Auto - Orange
Off - Orange

Set Temperature LEDs
Column of LEDs that display the current set temperature point. Set LED turns off when system is turned off.

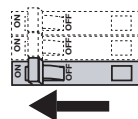
Press to raise the Set temperature.
Raise/Lower Rocker
Press to lower the Set temperature.
Eco Button
Press to toggle Eco mode on/off.



Flip-Down Door
Covers the System and Fan buttons. Opens 180°.

Fan Buttons
Indicates the current fan setting. Button will light up when selected.
On - Fan is constantly on.
Auto - Fan is on only when Heat/Cool is active.

- Attach *Lutron Claro* or *Satin Colors* wallplate adapter and wallplate (see **Mounting Diagram**).
 - Install the wallplate adapter onto the front of the *seeTemp* Wall Display.
 - Tighten mounting screws until wallplate adapter is flush to wall (do not over-tighten).
 - Snap wallplate onto wallplate adapter and verify that the color replacement kit is aligned properly.
 - If control(s) are misaligned, loosen mounting screws appropriately.
- Restore power.



Programming

After installation, the HVAC controller (LR-HVAC) will only function when programmed to a system with a *seeTemp*™ Wall Display (LRD-WST). For full functionality, the HVAC Controller must be programmed to a RadioRA® 2 Main Repeater (RR-MAIN-REP) and PC software must be used by a *Lutron* factory-trained installer. For questions on how to become a qualified installer, please contact your local *Lutron* representative.

Temporary Programming

Since the HVAC system may need to function before a *Lutron* factory-trained installer is available for programming, temporary programming may be used to provide climate control.

To complete the steps below, the following are required: *RadioRA* 2 Main Repeater (RR-MAIN-REP) within 30 ft of the HVAC controller, *seeTemp* unit(s), and Wireless Temperature sensor(s).

- Enter Add Mode:** Press and hold the “Add” button on Main Repeater for 3 seconds until green “Add” LED begins to rapid-flash (ten times per second) and repeater beeps. Wait 10 seconds.

Temporary Programming (continued)

- Add the devices to the Main Repeater:
 - For the HVAC controller, press and hold the **Link** button for 3 seconds until all LEDs normal-flash (once per second).
 - For the *seeTemp*, press and hold the **Eco** button for 3 seconds until all LEDs normal-flash (once per second).
 - For the Wireless Temperature Sensor, press and hold the **Link** button for 6 seconds until the hidden LED flashes (once per second).
- Exit Add Mode:** Press and hold the “Add” button on any Repeater for 3 seconds until “Add” LED begins to rapid-flash. After LED turns off (can take up to 30-60 seconds), system has exited **Add** Mode.
- Test the system:**
 - Set the *seeTemp* to Heat or Cool mode.
 - Tap the link button on the Wireless Temperature Sensor. The Temperature will update on the *seeTemp*.
 - As the temperature changes, the HVAC controller will control the HVAC equipment when required.

Troubleshooting Guide for seeTemp Wall Display

Symptom	Probable Cause and Action
LEDs on a <i>seeTemp</i> Wall Display don't light up when the buttons on it are pressed.	Power not present at <i>seeTemp</i> Wall Display • Circuit breaker OFF. Turn ON breaker.
	Incorrect wiring. • Wire the <i>seeTemp</i> Wall Display according to the Installation section.
HVAC controller not controlled by a <i>seeTemp</i> Wall Display and/or temperature is not changing.	The HVAC controller is not assigned to a <i>seeTemp</i> Wall Display. • Follow the steps in Programming .
	There is no power to the device. • Ensure that the device is powered
	Temperature may take up to 20 minutes to change in the space
	HVAC equipment does not have enough power and can't reach setpoint
6 LEDs on the <i>seeTemp</i> Wall Display flash when any button is pressed.	The <i>seeTemp</i> Wall Display is in the Factory Settings mode and has not been configured to work in a system. • Follow the steps in Programming .
Room Temperature LED flashes rapidly.	Low battery on Wireless Temperature Sensor. • Replace battery in Wireless Temperature Sensor.
Set temperature LED flashes rapidly.	The <i>seeTemp</i> Wall Display is hearing the wired backup sensor and cannot hear Wireless Temperature Sensor. • Move Wireless Temperature Sensor closer to a repeater.
Room LED scrolls up and down.	No Wireless Temperature Sensor or wired backup is present. • Replace battery in Wireless Temperature Sensor. • Add a Wireless Temperature Sensor. • Add a wired backup sensor.
Room and set LED scrolls up and down when button is pressed.	Communication Error. • Move a repeater closer to a <i>seeTemp</i> Wall Display.

Returning a seeTemp Wall Display to Factory Settings

Returning a *seeTemp* Wall Display to its Factory Settings will remove the *seeTemp* Wall Display from the system and erase all programming.

- Step 1:** Triple tap the ECO button on the *seeTemp* Wall Display. DO NOT release after third tap.
- Step 2:** Keep the button pressed on the third tap until all the status LEDs start to flash slowly (approximately 3 seconds).
- Step 3:** Immediately release the button and triple tap the button again. The status LEDs on the *seeTemp* Wall Display will flash quickly.

The *seeTemp* Wall Display has now been returned to Factory Settings.

Warranty: For warranty information, please see the Warranty enclosed with the product, or visit www.lutron.com/resiinfo