

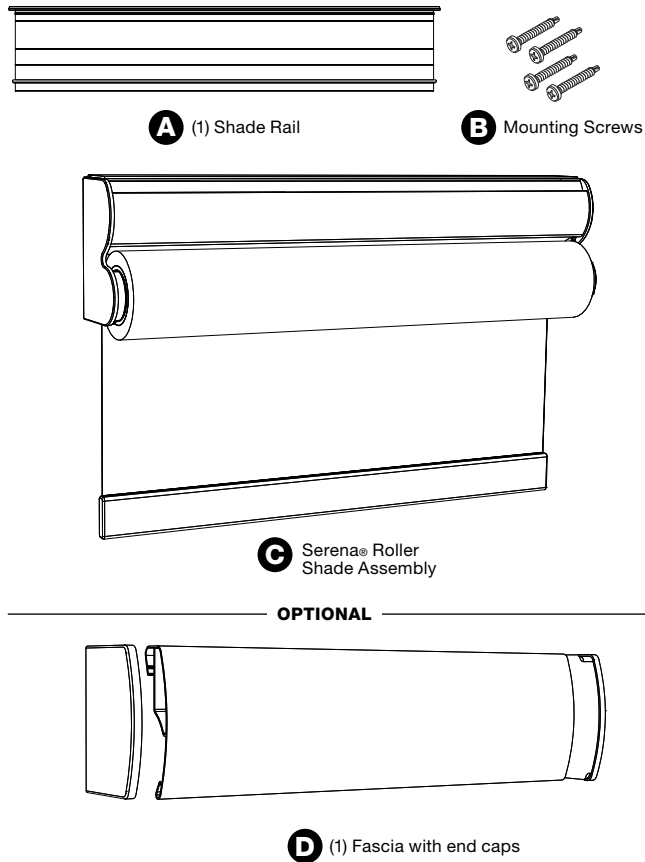
Serena Roller Shade

Battery Powered Window Shade with RF Wireless Remote Control • Installation and Setup Guide—Please Read Before Installing and Operating

Worldwide Headquarters | USA
Lutron Electronics Co., Inc. 7200 Suter Road, Coopersburg, PA 18036-1299 USA
TEL: 1.610.282.3800 • FAX: 1.610.282.3090
Technical Support: 1.800.523.9466 • Toll Free: 1.888.LUTRON1
Email: shadinginfo@lutron.com • Online: www.lutron.com/shadingsolutions

Europe Headquarters | United Kingdom
Lutron EA Ltd, 6 Sovereign Close, London, E1W3JF, UK
TEL: +44.(0)20.7702.0657 • FAX: +44.(0)20.7480.6899
Technical Support: +44.(0)20.7680.4481
FREEPHONE: 0800.282.107

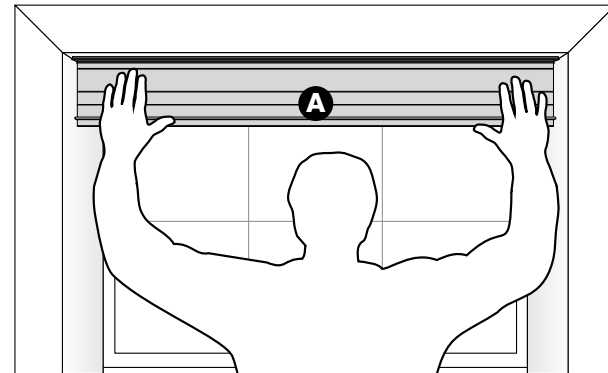
Included in the box:



NOTE: If your shade was ordered with optional fascia, the fascia will be factory-attached and wrapped with the shade. Leave the wrapping in place during installation for added stability, then remove the wrap before installing batteries.

1 Mounting the shade rail:

1.1 Hold the shade rail **A** up to the mounting surface. Approximate its final position and use a pencil to mark mounting screw locations on the shade rail.*

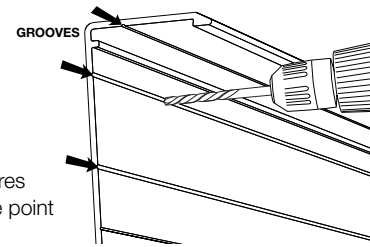


*To ensure the shade rail is properly mounted, we recommend:

- Install mounting screws 6-12 in (152-305 mm) from each end of the shade rail.
- Locate the mounting screws so that they drive into studs or solid trim. For other surfaces, use appropriate expansion anchors, toggle bolts, or other fasteners, (not included).
- Verify that the mounted shade rail is level and parallel to the window opening.

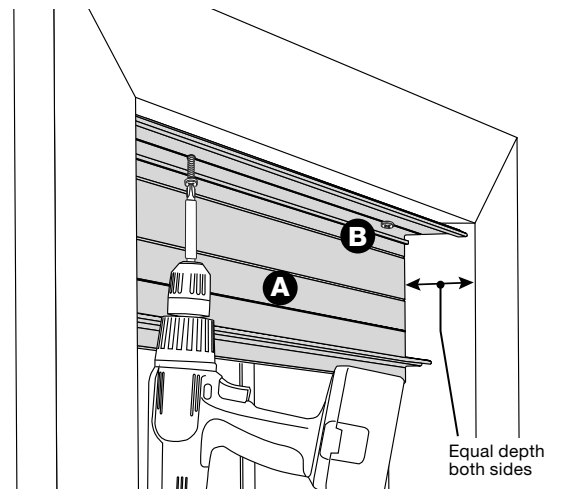
1.2 Pre-drill the shade rail **A** at the pencil marks.

NOTE: The shade rail features grooves to help stabilize the point of your drill bit.

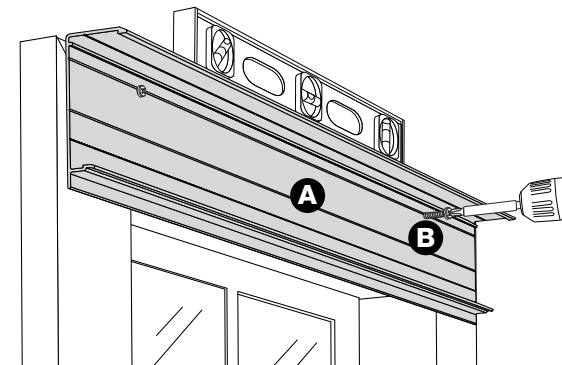


1.3 Fasten the shade rail **A**, to the mounting surface using the mounting screws provided **B** or other appropriate fasteners.

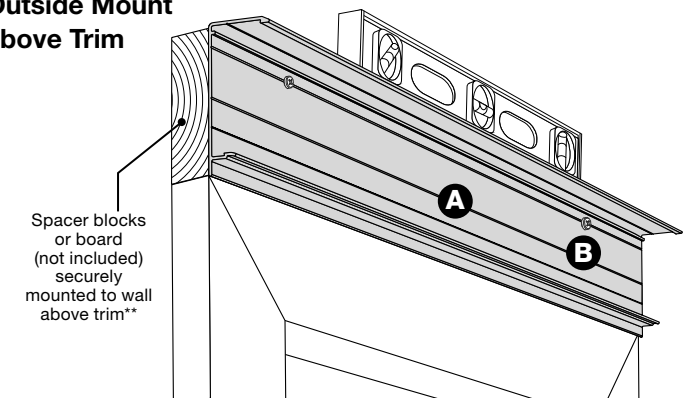
Inside Mount



Outside Mount on Trim

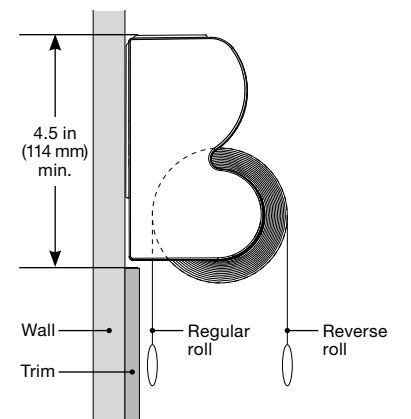


Outside Mount above Trim

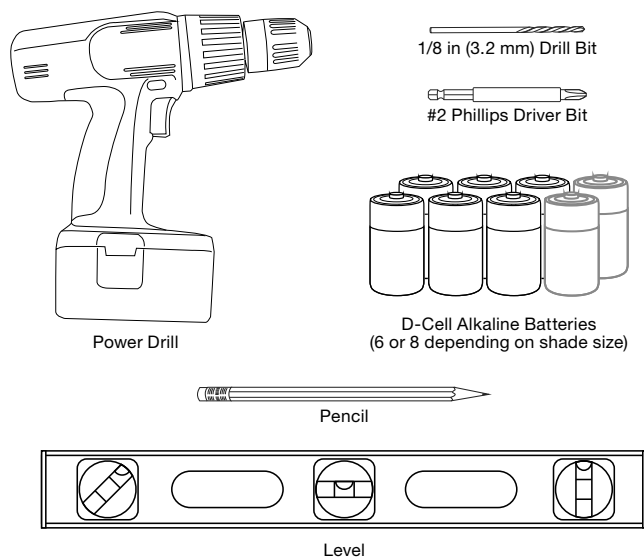


****NOTE:** Depending on the size of your shade and the depth of your trim, or the roll direction of your shade, you may be able to mount the shade directly to the wall above the trim without additional spacing.

In this arrangement, the top of the shade rail must be a minimum of 4 1/2 in (114 mm) above the top of the trim.



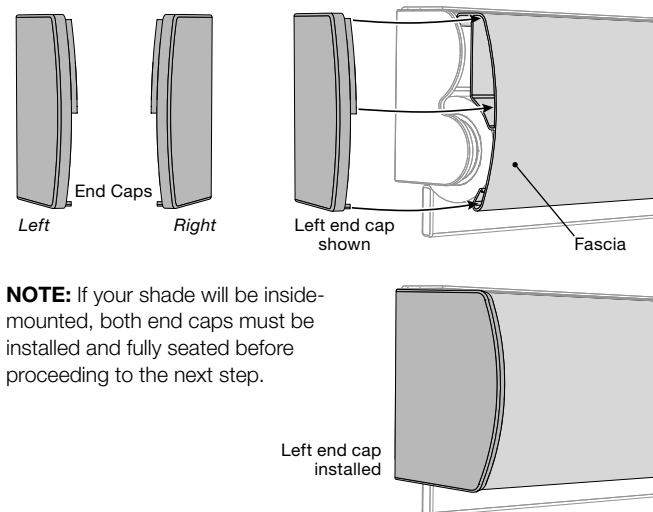
Other items you'll need:



2 Installing the end caps on optional fascia:

2.1 Press-fit an end cap on the open end of the fascia as shown.

2.2 Repeat on the other end.

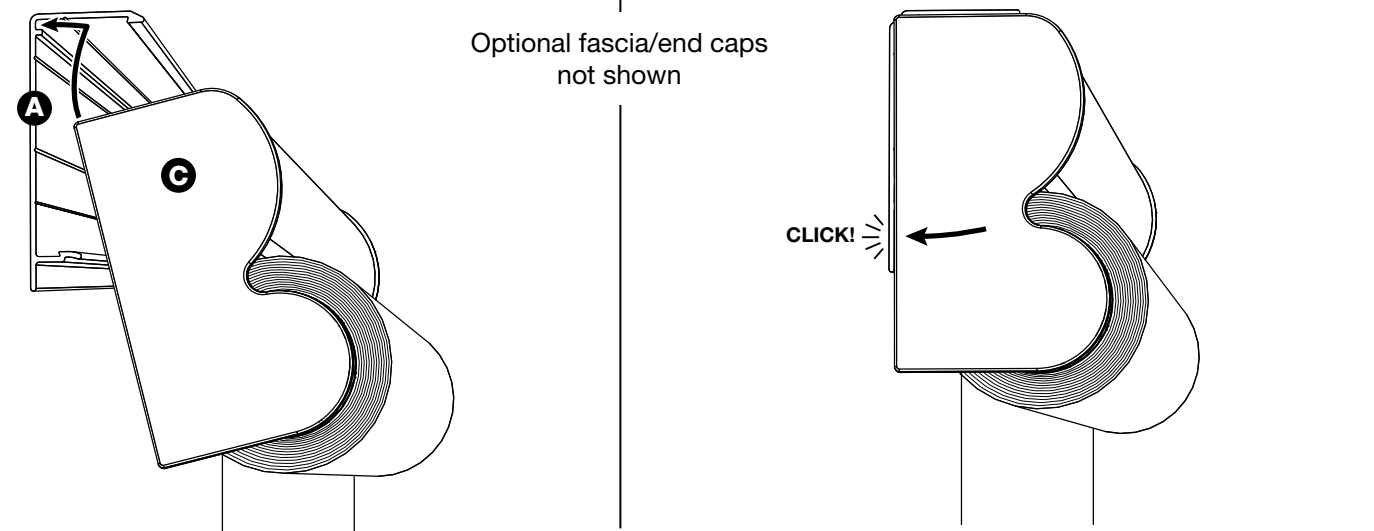


NOTE: If your shade will be inside-mounted, both end caps must be installed and fully seated before proceeding to the next step.

3 Hanging the shade:

3.1 Facing the window, tilt the top of the shade assembly **C** away from you and insert its top rear edge into the channel in the shade rail **A**.

3.2 Push the bottom of the shade toward the window and lock it into the shade rail with a "click."

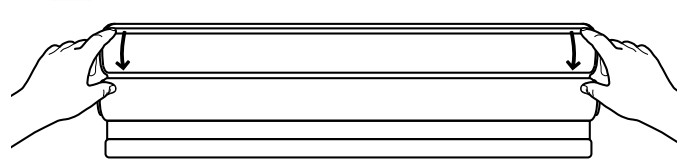


Optional fascia/end caps not shown

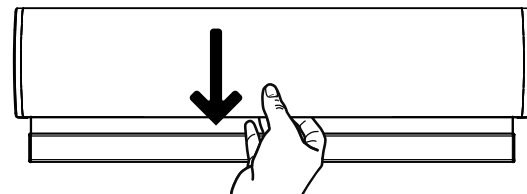
CLICK!

4 Installing the batteries:

4.1 Open the battery holder at the top of the shade.

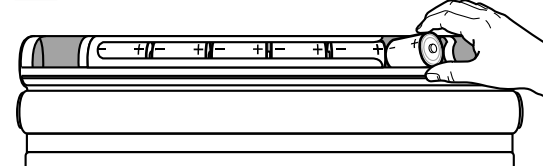


Exposed headrail: rotate the top section forward.



With optional fascia: pull straight down on the fascia.

4.2 Insert new D-cell alkaline batteries.

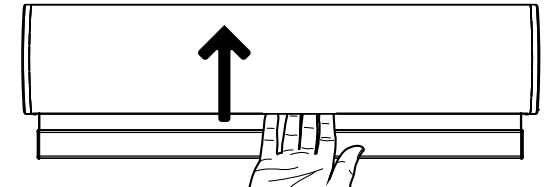


A label on the battery holder shows quantity and orientation.

4.3 Return the battery holder to the closed position.



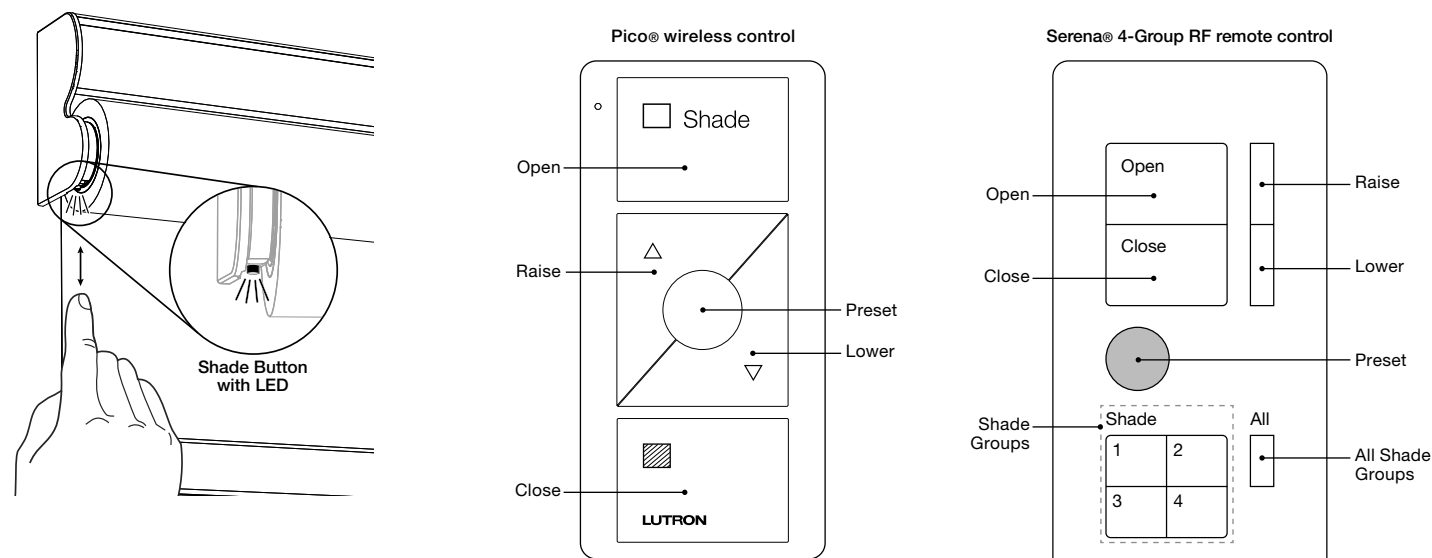
Exposed headrail: rotate the top section back to the closed position



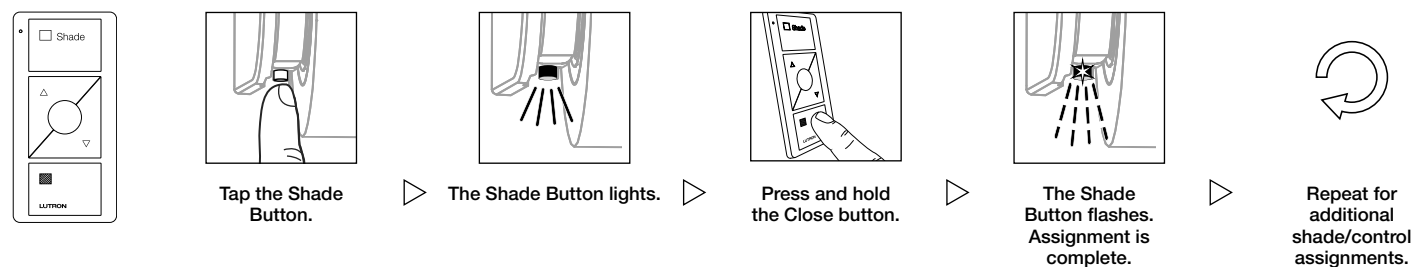
With optional fascia: gently push straight up on the fascia.

5 Assigning a remote control:

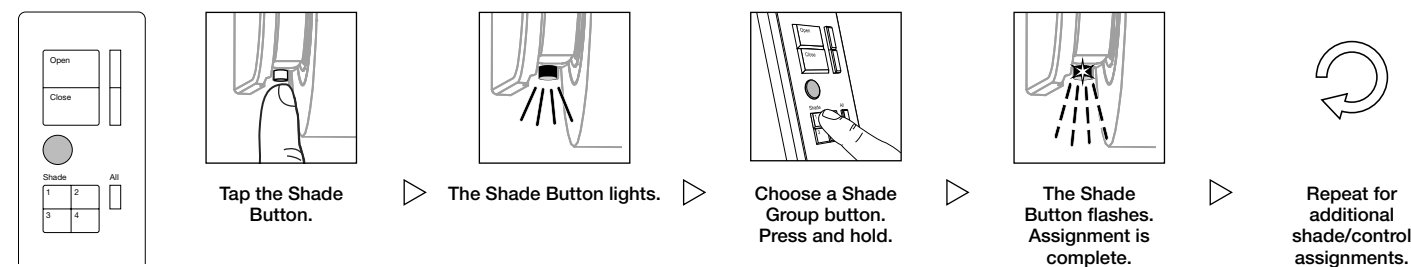
Compatible Remote Controls (sold separately)



5.1 Assign a Pico® Wireless Control



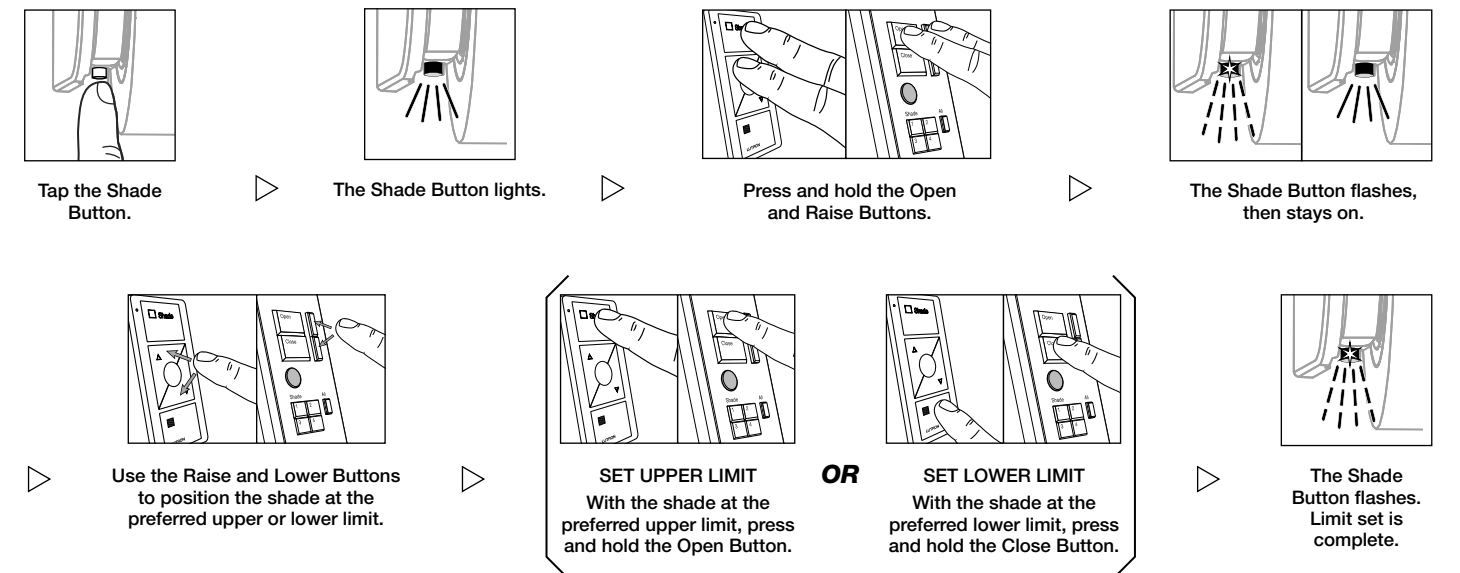
5.2 Assign a Serena® 4-Group RF Remote Control



6 Adjusting shade limits and presets (OPTIONAL):

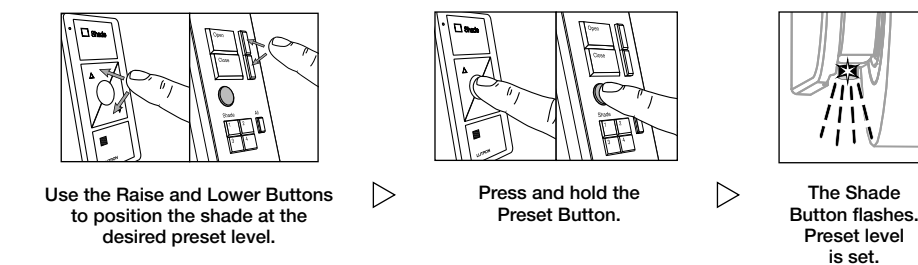
6.1 Adjust Upper or Lower Limit (OPTIONAL)

The shade's upper and lower limits are pre-programmed based on the window dimensions and mounting option. If adjustment is needed, follow these steps:



6.2 Set Preset Level (OPTIONAL)

The preset level is factory programmed to 50% open/closed.



FCC Information

Models: SYC-J-EDU-R2, QSFC-J-EDU-R2
 This equipment has been tested and found to comply with the limits for a Class B digital device, pursuant to part 15 of the FCC rules. These limits are designed to provide reasonable protection against harmful interference in a residential installation. This equipment generates, uses and can radiate radio frequency energy and, if not installed and used in accordance with the instructions, may cause harmful interference to radio and television reception, which can be determined by turning the equipment off and on. The user is encouraged to try to correct the interference by one or more of the following measures:
 • Reorient or relocate the receiving antenna.
 • Increase the separation between the equipment and receiver.
 • Connect the equipment into an outlet on a circuit different from that to which the receiver is connected.
 • Consult the dealer or an experienced radio/TV technician for help.

Caution: Changes or modifications not expressly approved by Lutron Electronics Co. could void the user's authority to operate this equipment. This device complies with Part 15 of the FCC Rules. Operation is subject to the following two conditions:
 (1) This device may not cause harmful interference, and
 (2) This device must accept any interference received, including interference that may cause undesired operation. This Class B digital apparatus complies with Canadian ICES-003.

IC Information

This device complies with Industry Canada licence-exempt RSS standard(s). Operation is subject to the following two conditions:
 (1) This device may not cause harmful interference, and
 (2) This device must accept any interference received, including interference that may cause undesired operation of the device.

For complete warranty information, please see: www.serenashades.com/warranty

Worldwide Headquarters | USA

Lutron Electronics Co., Inc. 7200 Suter Road, Coopersburg, PA 18036-1299 USA
 TEL: 1.610.282.3800 • FAX: 1.610.282.3090
 Technical Support: 1.800.523.9466 • Toll Free: 1.888.LUTRON1
 Email: shadinginfo@lutron.com • Online: www.lutron.com/shadingsolutions

Europe Headquarters | United Kingdom

Lutron EA Ltd. 6 Sovereign Close, London, E1W3JF, UK
 TEL: +44.(0)20.7702.0657 • FAX: +44.(0)20.7480.6899
 Technical Support: +44.(0)20.7680.4481
 FREEPHONE: 0800.282.107