

LMJ-CCO1-24-B **24 V~ 45 mA**  
**24 V= 35 mA** NEC- Class 2

LMK-CCO1-24-B **24 V~ 45 mA**  
LMN-CCO1-24-B **24 V= 35 mA** SELV  
LMM-CCO1-24-B  
LMQ-CCO1-24-B

### Important Notes: Please read before installing.

- For installation by a qualified electrician in accordance with all local and national electrical codes.
- Note:** Use copper conductors only.
- Check to see that the device type and rating is suitable for the application.
- DO NOT** install if product has any visible damage.
- If moisture or condensation is evident, allow the product to dry completely before installation.
- Operate between 32 °F to 131 °F (0 °C to 55 °C).
- 0% to 90% humidity, non-condensing.
- For indoor use only.
- 24 V~ or 24 V= supply and load shall be protected via an approved power source in accordance with IEC/EN61558-2 (SELV supply).

English



**Shock Hazard. May result in serious injury or death.**  
Turn off power at circuit breaker before installing the unit.

### FCC Information: (LMJ- model only)

This device complies with part 15 of the FCC Rules and Industry Canada licence-exempt RSS standard(s). Operation is subject to the following two conditions:  
(1) This device may not cause interference, and  
(2) this device must accept any interference, including interference that may cause undesired operation.

Modifications not expressly approved by Lutron Electronics Co., Inc. could void the user's authority to operate this equipment.

**NOTE:** This equipment has been tested and found to comply with the limits for a Class B digital device, pursuant to part 15 of the FCC Rules. These limits are designed to provide reasonable protection against harmful interference in a residential installation. This equipment generates, uses and can radiate radio frequency energy and, if not installed and used in accordance with the instructions, may cause harmful interference to radio communications. However, there is no guarantee that interference will not occur in a particular installation. If this equipment does cause harmful interference to radio or television reception, which can be determined by turning the equipment off and on, the user is encouraged to try to correct the interference by one or more of the following measures:

- Reorient or relocate the receiving antenna.
- Increase the separation between the equipment and receiver.
- Connect the equipment into an outlet on a circuit different from that to which the receiver is connected.

### Warranty:

For warranty information, please visit  
www.lutron.com/TechnicalDocumentLibrary/Warranty.pdf  
www.lutron.com/TechnicalDocumentLibrary/Intl\_Warranty.pdf

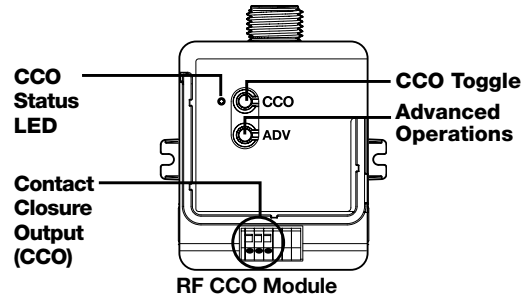
Lutron and are registered trademarks of Lutron Electronics Co., Inc.  
©2013 Lutron Electronics Co., Inc.

**LUTRON**

Lutron Electronics Co., Inc. | 7200 Suter Road  
Coopersburg, PA 18036-1299, U.S.A.

## RF CCO Module Operation

For System Setup Guide and tools visit [www.lutron.com](http://www.lutron.com)



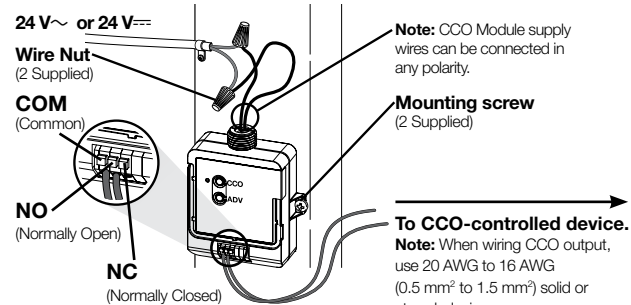
### Installation:

LMJ-, LMM-, LMQ- models

**When installing a RF CCO Module, wire the module as shown.**

**Note:** RF CCO Module may also be mounted on or inside a junction box.  
If installing unit inside a junction box please see Application Note #423.

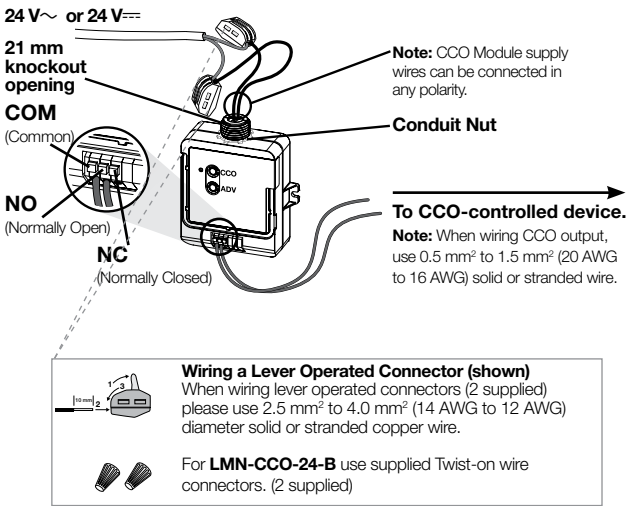
**For more information:**  
[www.lutron.com](http://www.lutron.com)



### Installation:

LMK- and LMN- models

**The RF CCO Module should be installed using the mounting tabs on the enclosure (screws not provided). The RF CCO Module can be installed in a junction box or marshalling box (optional) using the conduit nut (provided) or with mounting screws (not provided). Please consult local and national electric codes for proper installation.**



## RF CCO Module Placement

**RF CCO Modules must be located within 30 ft (9 m) of an RF signal repeater. RF CCO modules cannot be controlled by the system until they are programmed using the system programming software.**

## Reset Factory Defaults

**Note:** In some instances it may be necessary to reset the RF CCO Module back to factory default settings.

- Triple-tap the Advanced Operations ("ADV") button, on the RF CCO Module and hold until the LED begins to flash slowly.
- Within 3 seconds of flashing, release and triple-tap the button again and the LED will flash rapidly indicating that the unit has been reset to factory defaults.

**Note:** Any associations or programming previously set up with the unit will be lost and will need to be re-programmed.

## Troubleshooting

**CCO-controlled device does not respond to Wireless Transmitter(s).**

- Ensure power to the RF CCO Module is properly applied.
- Ensure the CCO-controlled device has been properly wired to the RF CCO Module.
- Ensure RF CCO module has been activated in the system.
- Ensure that the Wireless Transmitter battery is installed correctly.

**RF CCO Module does not respond to a keypad, wireless controller or sensor.**

- Improper programming. Program from system programming software.
- Out of RF Range. Reposition to be within 30 ft (9 m) of an RF signal repeater.
- Already at current level. The RF CCO Module has already responded to a command, or is already at the requested setting.
- Wireless controller or sensor batteries low or installed incorrectly. Replace or install batteries properly.
- RF interference. Do not run RF CCO Module wires with other power wires or communication wires (e.g., networking, audio, or video signals).