

Triathlon Smart Blind

Battery Powered Blind with Motorized Tilt • Installation Guide; Please read before installing

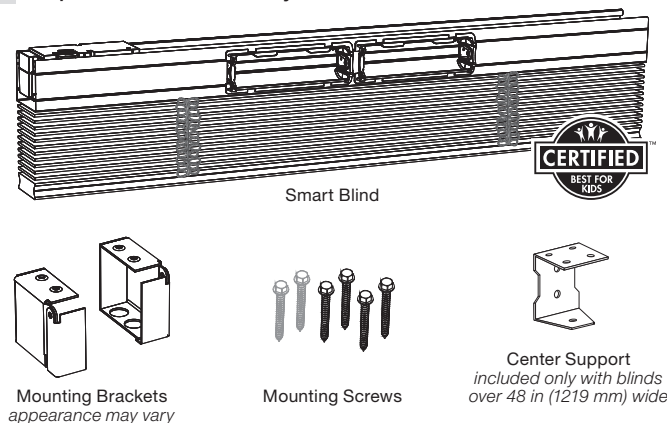
English

1 Prepare to Install:

! WARNING: STRAGULATION HAZARD

Young children can be strangled by cords. Immediately remove this product if a cord longer than 8.65 in (22 cm) or a loop exceeding 17.35 in (44 cm) around becomes accessible.

1.1 Unpack the box and verify contents



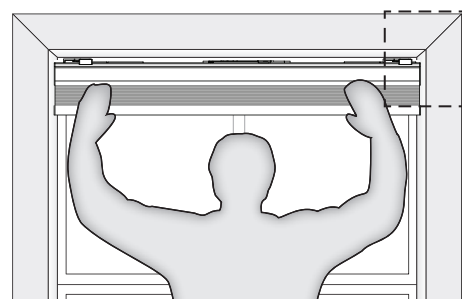
1.2 Other items you'll need:

- Pencil
- Tape Measure
- Level
- Power Drill with 1/4 in (6 mm) Hex Driver Bit (6 in [152 mm] extension recommended)
- 3/16 in (4.8 mm) Drill Bit
- 1.5 V D-Cell Alkaline Batteries (6 or 8 depending on blind size; 12 or 16 with Battery Boost option) Lutron recommends Duracell® or RAYOVAC® batteries

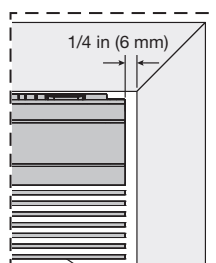
2 Install the Mounting Brackets:

! IMPORTANT: TO ENSURE SAFE INSTALLATION: *Blinds and valances wider than 48 in (1219 mm) must be handled and installed by at least 2 people. Mounting screws must drive into solid structural material. Add secure blocking if necessary. Use fasteners that are appropriate for the mounting surface.*

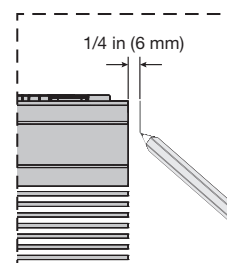
2.1 Determine mounting bracket locations:



Hold the blind up to the window, approximating its final mounted position.

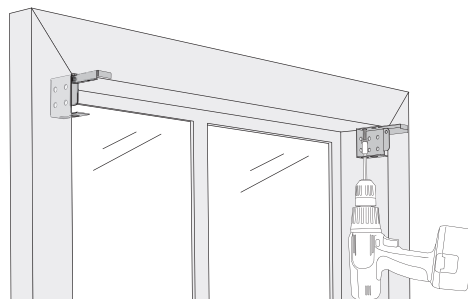


For Inside Mount: With the blind centered in the window opening, confirm there is 1/4 in (6 mm) clearance from each end of the headrail to the window jamb.

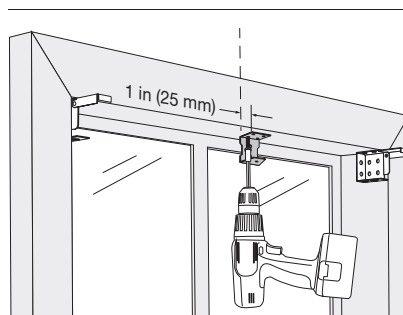


For Outside Mount: With the blind centered over the window opening, use the pencil to mark the mounting surface 1/4 in (6 mm) from each end of the headrail.

2.2 Inside Mount:

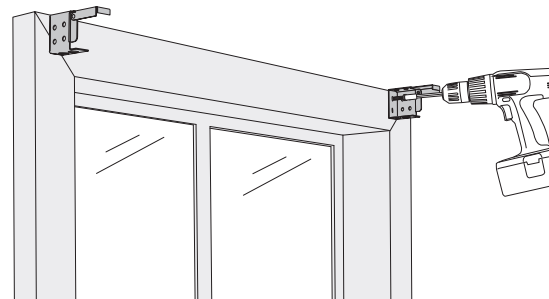


Position each Mounting Bracket against the window jamb as shown and fasten to the upper window frame using 2 screws.

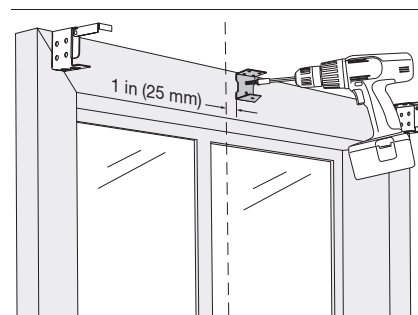


If the blind is wider than 48 in (1219 mm), install the included Center Support at the same depth as the Mounting Brackets, 1 in (25 mm) to the right of the window centerline, using 2 screws.

2.3 Outside Mount:



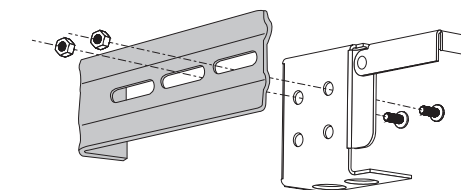
Position the Mounting Brackets at the desired height on or above the window trim, at the marks made in step 2.1, and fasten using 2 screws in each bracket.



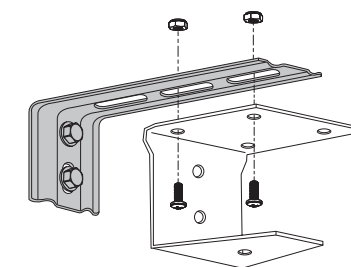
If the blind is wider than 48 in (1219 mm), install the included Center Support at the same height as the Mounting Brackets, 1 in (25 mm) to the right of the window centerline, using 2 screws.

Outside mounting where additional clearance is required:

For wall-mounting in applications where additional clearance is needed to clear window trim or hardware, an Extension Bracket may be used on each Mounting Bracket and Center Support, if applicable.



Mounting Bracket on Extension Bracket

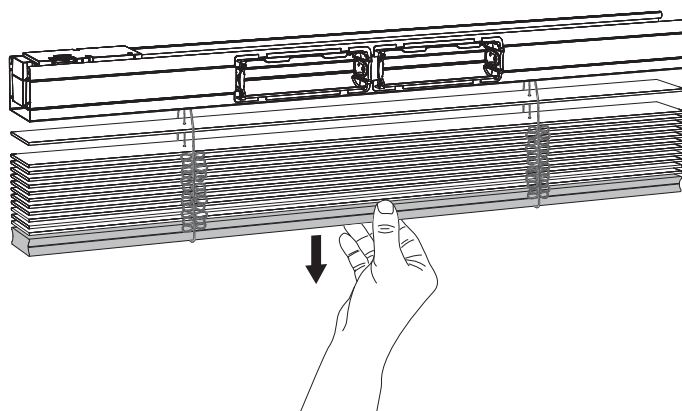


Center Support on Extension Bracket

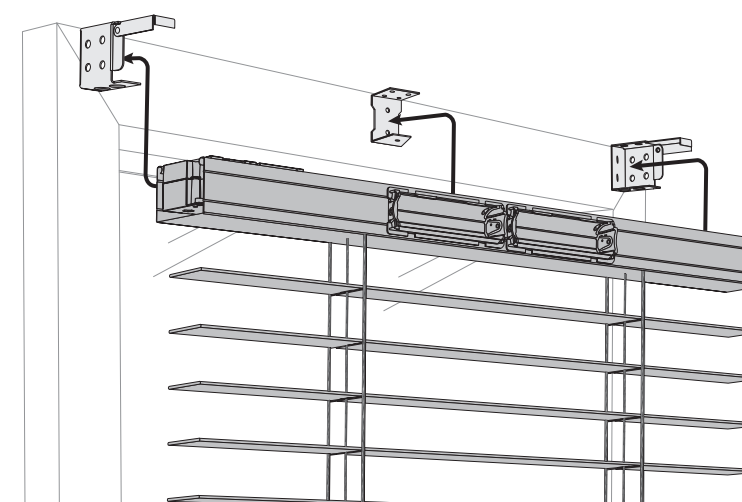
Mount the Extension Bracket at the pre-determined mounting bracket location, then attach the Mounting Bracket or Center Support using 2 short machine screws and nuts as shown.

3 Install the Blind in the Mounting Brackets:

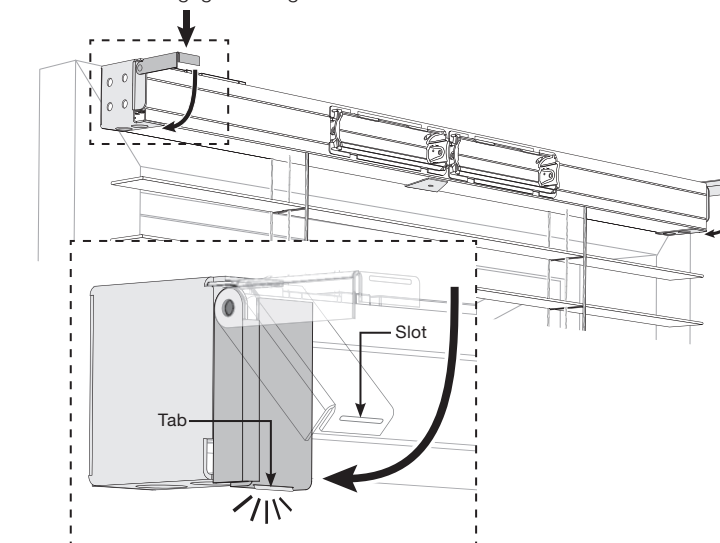
- a.** Extend the blind by grasping the center of the Bottom Bar and pulling it away from the Headrail. This is done to separate the top slat from the Headrail so that the slat is clear of the Mounting Brackets in step **b**. It is not necessary to extend the blind fully.



- b.** Insert the headrail between and into the Mounting Brackets, and also into the Center Support, if applicable.



- c.** Close each Bracket Door, pressing it firmly closed to ensure the tab on the Bracket engages through the slot in the Bracket Door.



FCC Information

Drive model: SYBJ-C

This equipment has been tested and found to comply with the limits for a Class B digital device, pursuant to part 15 of the FCC rules. These limits are designed to provide reasonable protection against harmful interference in a residential installation. This equipment generates, uses and can radiate radio frequency energy and, if not installed and used in accordance with the instructions, may cause harmful interference to radio and television reception, which can be determined by turning the equipment off and on. The user is encouraged to try to correct the interference by one or more of the following measures:

- Reorient or relocate the receiving antenna.
- Increase the separation between the equipment and receiver.
- Connect the equipment into an outlet on a circuit different from that to which the receiver is connected.
- Consult the dealer or an experienced radio/TV technician for help.

Caution: Changes or modifications not expressly approved by Lutron Electronics Co. could void the user's authority to operate this equipment.

This device complies with Part 15 of the FCC Rules. Operation is subject to the following two conditions:

- (1) This device may not cause harmful interference, and
- (2) This device must accept any interference received, including interference that may cause undesired operation. This Class B digital apparatus complies with Canadian ICES-003

IC Information

This device complies with Industry Canada licence-exempt RSS standard(s). Operation is subject to the following two conditions:

- (1) This device may not cause harmful interference, and
- (2) This device must accept any interference received, including interference that may cause undesired operation of the device.

