

MAXWEST

Tablet PC

TAB-7170K

USER'S MANUAL



Powered by
Android™ 4.4 KitKat®



FCC STATEMENT :

This device complies with Part 15 of the FCC Rules. Operation is subject to the following two conditions:

- (1) This device may not cause harmful interference, and
- (2) This device must accept any interference received, including interference that may cause undesired operation.

Warning: Changes or modifications not expressly approved by the party responsible for compliance could void the user's authority to operate the equipment.

NOTE: This equipment has been tested and found to comply with the limits for a Class B digital device, pursuant to Part 15 of the FCC Rules. These limits are designed to provide reasonable protection against harmful interference in a residential installation.

This equipment generates uses and can radiate radio frequency energy and, if not installed and used in accordance with the instructions, may cause harmful interference to radio communications. However, there is no guarantee that interference will not occur in a particular installation. If this equipment does cause harmful interference to radio or television reception, which can be determined by turning the equipment off and on, the user is encouraged to try to correct the interference by one or more of the following **measures:**

- Reorient or relocate the receiving antenna.

- Increase the separation between the equipment and receiver.

- Connect the equipment into an outlet on a circuit different from that to which the receiver is connected.

- Consult the dealer or an experienced radio/TV technician for help.

RF warning statement:

The device has been evaluated to meet general RF exposure requirement. The device can be used in portable exposure condition without restriction.

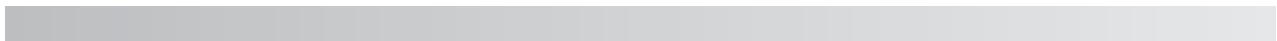


Table of Contents

Table of Contents.....	1
Features.....	2
Unit at a Glance	3
Getting Started.....	4-5
About Applications.....	5-6
Preinstalled Applications.....	6
Connect to a Wi-Fi network.....	7-8
Optional Connections.....	9
Specifications.....	10

Features

Browse the Web.
Visit your favorite websites

Check your e-mail
Keep in touch with friends and family

Watch YouTube™ videos
Browse the world's most popular video-sharing community

Read your favorite books
Download thousands of books with the included E-book reader *

Discover thousands of apps for Android™
Games, applications, and more with marketplace(need for customer installed)

Connect to the Internet wirelessly
High-speed Wi-Fi 802.11 b/g/n networking

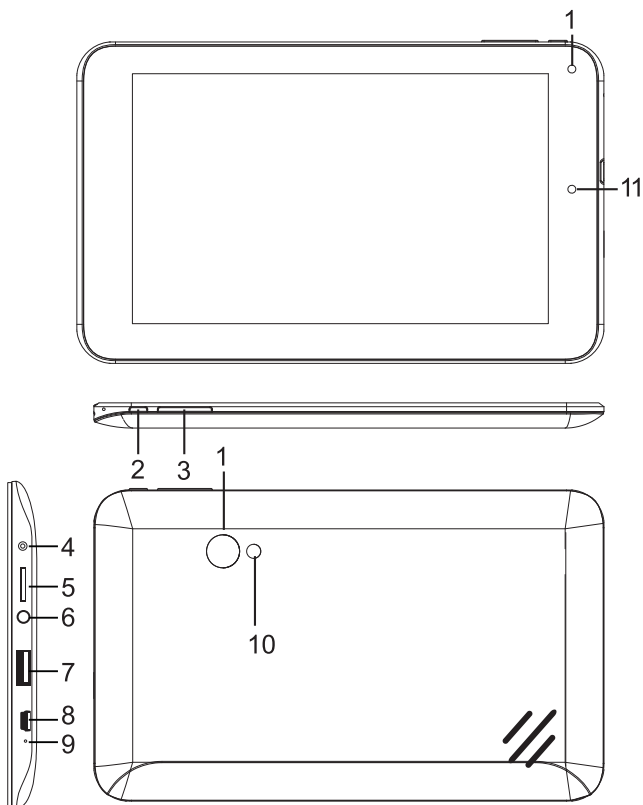
Enjoy your media library anywhere
Portable powerhouse plays popular music, video, and photo formats
microSD memory card reader
Increase your storage capacity (up to 32 GB supported)

Built-in camera
Convenient front-facing camera 0.3M.

Automatic orientation detection
Read any way you want; the display adjusts automatically!

Reading books in the ePub format requires the included E-book reader application.

Unit at a Glance



1. Camera
Use it to take pictures or capture videos.
2. Power
Press and hold to access the Power Off menu.
3. VOL-/VOL+
Press VOL- to decrease the volume level.
Press VOL+ to increase the volume level.
4. DC jack
5. TF Card
Load external TF memory cards here.
6. Headphone
Audio output connection for headphones.
7. Big USB 2.0 HOST
Directly Connect your USB device such as USB dick, key board, mouse
8. Micro USB
Connect to a USB device or a computer to transfer data (e.g. music, videos, photos, files).
9. MIC
Use internal MIC to record voice.
10. Flash light/Torch
11. Charging indicator

Getting Started

Turning the Tablet on and off

To turn the tablet on:

Press and hold the Power key until the LCD screen turns on. Wait until the Home screen appears; the tablet is now ready for use.

To turn the tablet off:

1. Press and hold the Power key until the Device Options menu appears.



2. Touch ok the screen to turn off the tablet.

Turning the Screen On and Off (Standby)

When the tablet is on, you can turn off the screen to conserve battery power. Simply press the Power key once to turn the screen off. Press the Power key again to turn the screen back on.



To conserve battery power, the screen can be set to turn off automatically when the tablet is not in use (between 1 minute and 30 minutes). This Screen timeout option can be found in the Display menu.

Getting Started

Unlocking the Screen

When the screen turns off, you will have to unlock the screen when you turn it back on.

To unlock the screen, drag the lock icon across the screen towards the lock icon.



About Applications

To open an application, touch the application icon on the home screen or in the Launcher where you can tap the icon right up on the home screen to get in.

Launcher screen:



The screen shown above is for illustrative purposes only. Reserves the right to modify and improve the final list of applications available on the tablet.

About Applications

Preinstalled Applications

Some applications have been installed on your tablet for your convenience.

These applications include:



Browse the web.



Perform simple mathematical operations.



Take pictures or videos with the frontfacing camera.



Check your e-mail.



Play music.



Access the Settings menu to adjust the tablet's options.

Preinstalled Applications


Installing Applications

You can also download and install additional applications from the device's applications marketplace, the web browser, or other sources.

The tablet must be set to allow installation of applications from non-Market sources. The Unknown sources option can be set in the Application settings menu.

Connect to a Wi-Fi network

The Notification bar displays icons that indicate your tablet's Wi-Fi status.

 Notification that an open Wi-Fi network is in range.

 Connected to a Wi-Fi network (waves indicate connection strength).

[no icon] There are no Wi-Fi networks in range, or the Wi-Fi radio is off.

1. Turn on the Wi-Fi radio if it is not already on. To turn on Wi-Fi:

- a. Go to the Home screen: Press the Home key.
- b. Open the Settings menu: tap the icon right up on the home screen to get into the launcher, then touch Settings icon.
- c. Open the Wireless & networks menu: Slide the icon to ON status.



When Wi-Fi is on, the tablet will look for and display a list of available Wi-Fi networks.



If a network that you have connected to previously is found, the tablet will connect to it. If you don't see your network in the list, you can force the tablet to re-scan. To scan for networks, tap the Menu key, and then touch Scan.

Connect to a Wi-Fi network

2. Select an available Wi-Fi network to connect to:

In the same Wi-Fi settings menu above, touch a network in the list.

If the network is open, the tablet will prompt you to confirm connection to the network. Touch Connect to confirm.

If the network is secured (as indicated by a Lock icon), the tablet will prompt you to enter a password or other credentials. Touch the Wireless password box to show the on-screen keyboard and then use it to enter the password. Touch Connect to confirm.



When you have successfully connected to a Wi-Fi network, the Notifications bar at the the low of the screen will show a Wi-Fi signal indicator.



To learn about how to add a Wi-Fi network when it is not in range or when the router is set to obscure the network name (SSID); or to configure advanced Wi-Fi options, please refer to the manual.

Optional Connections

Connecting to a Computer

Connect the tablet to a computer to transfer files.

1. Connect your tablet to the computer.

With the included USB cable: Plug the small end of the cable into the USB 2.0 high speed connector of the tablet. Plug the large end of the cable into an available USB 2.0 high speed port on the computer.

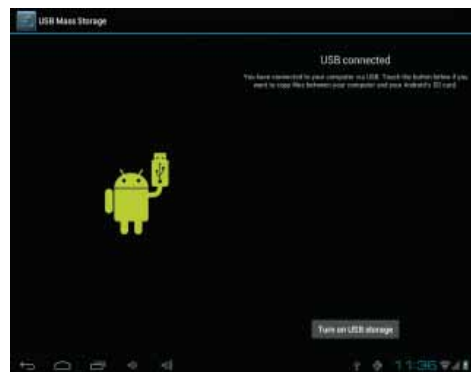
2. When your tablet is connected, slide up the USB icon right down on the screen and then touch icon USB connected.



9

3. Mount the storage.

Touch button Turn on USB storage to mount the tablet's built-in storage. When it is mounted, you can copy files to or from your tablet.



Specifications

CPU	A23 CPU:ARM Cortex A7 1.5GHz dualcore
OS	Android 4.4.2
RAM	DDR: 512MB
ROM	Built-in 4GB
Display	7 inch LCD, Resolution 800*480
Network	external 3G dongle
	Wifi: 802.11b/g/n
Camera	Front: 0.3MP,Rear:0.3MP with flash light
MIC	Internal Mic
Speaker	1*8Ω/1W fidelity speaker
Buttons	VOL+/VOL-/POWER
G-sensor	Support 3-axis gravity sensor four directions automatically steering displayscreen
I/O port	1 Micro 5pin USB keyboard etc.
	1*BIG USB 2.0 HOST
	Expanded memory card: up to 32GB
	1*3.5mm stereo earphone jack
	1*DC5V/2A in jack

Music was tested with a 128 kbps MP3 file; video was tested with a 1920x1080 MPEG-4/AVC file; browsing was tested with the screen brightness set to default. Actual playback results may vary.

MAXWEST

Tablet PC

TAB-7170K

MAUAL DEL USUARIO



Powered by
Android™ 4.4 KitKat®



Tabla de contenidos

Tabla de contenidos.....	1
Características.....	2
La unidad de un vistazo.....	3
Iniciación.....	4-5
Sobre las aplicaciones.....	5-6
Aplicaciones presinstaladas.....	6
Conexión a una red Wi-Fi.....	7-8
Conexiones opcionales.....	9
Especificaciones.....	10

Características

Navegue por la red - Visite sus sitios web favoritos

Lea sus e-mails - Manténgase en contacto con sus amigos y familia

Disfrute de vídeos de YouTube(TM) - Entre en las comunidades de vídeos más populares para compartirlos

Lea sus libros favoritos - Descargue miles de libros con el lector de E-book*

Descubra miles de apps para Android(TM) – Juegos, aplicaciones y más con Marketplace (será necesaria la instalación)

Conexión inalámbrica a internet – Wi-Fi 802.11 b/g/n de alta velocidad

Salida HDMI(TM) a su TV – Disfrute cómodamente en su habitación

Disfrute de su biblioteca multimedia en cualquier parte

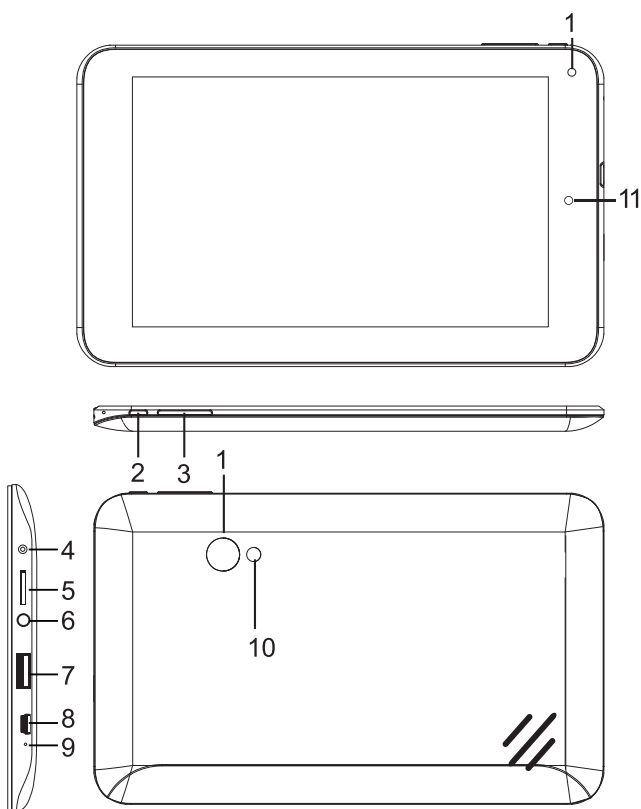
Aumente su capacidad de almacenamiento (hasta 32GB)

Cámara integrada – Cámara frontal de 0,3M

Detección automática de orientación – Lea como más le convenga, puesto que el display se ajusta automáticamente

La lectura de libros en formato ePub requiere de la aplicación de lector de E-book

Unit at a Glance



1. Camera
Use it to take pictures or capture videos.
2. Power
Press and hold to access the Power Off menu.
3. VOL-/VOL+
Press VOL- to decrease the volume level.
Press VOL+ to increase the volume level.
4. DC jack
5. TF Card
Load external TF memory cards here.
6. Headphone
Audio output connection for headphones.
7. Big USB 2.0 HOST
Directly Connect your USB device such as USB dick, key board, mouse
8. Micro USB
Connect to a USB device or a computer to transfer data (e.g. music, videos, photos, files).
9. MIC
Use internal MIC to record voice.
10. Flash light/Torch
11. Charging indicator

Getting Started

Turning the Tablet on and off

To turn the tablet on:

Press and hold the Power key until the LCD screen turns on. Wait until the Home screen appears; the tablet is now ready for use.

To turn the tablet off:

1. Press and hold the Power key until the Device Options menu appears.



2. Touch ok the screen to turn off the tablet.

Turning the Screen On and Off (Standby)

When the tablet is on, you can turn off the screen to conserve battery power. Simply press the Power key once to turn the screen off. Press the Power key again to turn the screen back on.



To conserve battery power, the screen can be set to turn off automatically when the tablet is not in use (between 1 minute and 30 minutes). This Screen timeout option can be found in the Display menu.

Iniciación

Desbloqueo de la pantalla

Cuando se apague la pantalla, tendrá que desbloquearla cuando vuelva a encenderla.

Para desbloquear la pantalla, arrastre el icono del candado por la pantalla hasta el otro icono del candado.



Sobre las aplicaciones

Para abrir una aplicación, toque el icono de la aplicación de la pantalla de inicio o en la lanzadera, donde podrá tocar el icono justo en la pantalla de inicio para entrar en él.

Pantalla de lanzadera:



La pantalla mostrada arriba solo tiene un propósito ilustrativo. Nos reservamos el derecho de modificar y mejorar la lista final de aplicaciones final disponible en la tableta.

Sobre las aplicaciones

Aplicaciones preinstaladas

Algunas aplicaciones han sido instaladas en su tableta para su conveniencia.

Estas aplicaciones incluyen:



Navegar por la red



Realizar simples operaciones matemáticas.



Tomar fotos o vídeos con la cámara frontal



Comprobar sus e-mails



Reproducir música



Acceso al menú de ajustes para ajustar las opciones de la tableta

Aplicaciones preinstaladas

Instalación de aplicaciones

Podrá también descargar e instalar aplicaciones adicionales del mercado (marketplace) de aplicaciones del dispositivo, el buscador web u otras fuentes.

La tableta deberá ser configurada para que sea posible la instalación de aplicaciones cuyas fuentes no sean el mercado. La opción de fuentes desconocidas podrá configurarse en el menú de ajustes de aplicaciones.

Conexión a una red Wi-Fi

La barra de notificaciones muestra iconos que indica el estado Wi-Fi de su tableta.



Notificación sobre una red Wi-Fi encendida en el radio de alcance.



Conectado a una red Wi-Fi (las ondas indican la intensidad de la conexión).

[No hay ocono]

No hay redes Wi-Fi en el radio de alcance, o la radio Wi-Fi está apagada.

1. Encienda la radio Wi-Fi, si todavía no lo estuviera. Para encender el Wi-Fi:

- Vaya a la pantalla de inicio: Pulse el botón Home.
- Abra el menú de ajustes: toque el icono que hay en la pantalla de inicio para entrar en la lanzadera, después toque el icono de ajustes.
- Abra el menú Inalámbrico y redes: Desplace el icono hasta el estado de encendido (ON).



Cuando el Wi-Fi esté encendido, la tableta buscará y mostrará una lista de redes Wi-Fi disponibles.



Si se encontrara una red a la que se hubiera conectado previamente, la tableta se conectará a ella. Si no viera su red en la lista, podrá hacer que la tableta realice una nueva búsqueda. Para buscar redes, toque sobre el botón Menu y después toque Scan (Buscar).

Conexión a una red Wi-Fi

2. Selección de una red Wi-Fi disponible a la que conectarse:

En el mismo menú de ajustes Wi-Fi de arriba, toque una red de la lista.

Si la red está abierta, la tableta le pedirá que confirme la conexión a la red. Toque Conectar para confirmar.

Si la red está asegurada (indicado por el icono de un candado), la tableta le pedirá que introduzca una contraseña u otras credenciales. Toque el campo para la contraseña inalámbrica para mostrar el teclado de pantalla; úselo para introducir la contraseña. Toque Conectar para confirmar.



Cuando se haya conectado a la red Wi-Fi con éxito, la barra de notificaciones de la parte inferior de la pantalla mostrará un indicador de señal Wi-Fi.



i Para aprender a agregar una red Wi-Fi cuando no se encuentra en el radio de alcance, o cuando el router ha sido configurado para ocultar el nombre de red (SSID); o para configurar opciones avanzadas de Wi-Fi, por favor, consulte el manual.

Conexiones opcionales

Conexión a un ordenador

Conecte la tableta a un ordenador para la transferencia de archivos.

1. Conecte su tableta a su ordenador.

Con el cable USB que se incluye: Conecte el extremo pequeño del cable en el conector USB 2.0 de alta velocidad de la tableta. Conecte el extremo grande del cable en un puerto USB 2.0 de alta velocidad que esté disponible en el ordenador.

2. Cuando su tableta esté conectada, deslice el icono USB hacia abajo de la pantalla y después toque el icono USB conectado.



9

3. Montaje del almacenamiento.

Toque el botón Encender el almacenamiento USB para montar el almacenamiento interno de la tableta. Cuando esté montado, podrá copiar archivos en o de su tableta.



Especificaciones

CPU	A23 CPU:ARM CortexA7 1.5GHz dual core
OS	Android 4.4.2
RAM	DDR: 512MB
ROM	Built-in 4GB
Display	7 inch LCD, Resolution 800*480
Network	external 3G dongle
	Wifi: 802.11b/g/n
Camera	Front: 0.3MP,Rear:0.3MP with flash light
MIC	Internal Mic
Speaker	1*8Ω/1W fidelity speaker
Buttons	VOL+/VOL-/POWER
G-sensor	Support 3-axis gravity sensor four directions automatically steering displays screen
I/O port	1 Micro 5pin USB keyboard etc.
	1*BIG USB 2.0 HOST
	Expanded memory card: up to 32GB
	1*3.5mm stereo earphone jack
	1*DC 5V/2A in jack

Tiempo de reproducción (horas)	Unas 6 horas para música Unas 3 horas para vídeo Unas 3 horas para navegar por la red.
--------------------------------	--

La música fue probado con un archivo MP3 128 kbps; video fue probada con un archivo de 1920x1080 MPEG-4/AVC; navegación fue probado con el brillo de la pantalla al valor predeterminado. Los resultados reales pueden variar de reproducción.

MAXWEST

