

IMPORTANT SAFETY INSTRUCTIONS



This symbol found on the apparatus indicates hazards arising from dangerous voltages.



This symbol found on the apparatus indicates the user should read all safety statements found in the user manual.



This symbol found on the apparatus indicates double insulation



Warning!
To reduce the risk of fire or electrical shock, do not expose this apparatus to rain or moisture.

1. Read these instructions.
2. Keep these instructions.
3. Heed all warnings.
4. Follow all instructions.
5. Do not use this apparatus near water.
6. Clean only with dry cloth.
7. Do not block any ventilation openings. Install in accordance with the manufacturer's instructions.
8. Do not install near any heat sources such as radiators, heat registers, stoves, or other apparatus (including amplifiers) that produce heat.
9. Do not defeat the safety purpose of the polarized or grounding-type plug. A polarized plug has two blades with one wider than the other. A grounding-type plug has two blades and a third grounding prong. The wide blade or the third prong is provided for your safety. If the provided plug does not fit into your outlet, consult an electrician for replacement of the obsolete outlet.
10. Protect the power cord from being walked on or pinched particularly at plugs, convenience receptacles, and the point where they exit from the apparatus.

11. Only use attachments/accessories specified by the manufacturer.
12. Unplug this apparatus during lightning storms or when unused for long periods of time.
13. Refer all servicing to qualified service personnel. Servicing is required when the apparatus has been damaged in any way, such as power-supply cord or plug is damaged, liquid has been spilled or objects have fallen into the apparatus, the apparatus has been exposed to rain or moisture, does not operate normally, or has been dropped.
14. Maintain a minimum distance of 2" (50mm) around the front, rear, and sides of the apparatus for sufficient ventilation. The ventilation should not be impeded by covering the ventilation openings or placing on or around the apparatus items such as newspapers, table-cloths, curtains, etc.
15. No open flame sources, such as lighted candles, should be placed on the apparatus.
15. The apparatus shall not be exposed to dripping or splashing. No objects filled with liquids, such as vases, shall be placed on the apparatus.
17. Either the power inlet connector on the rear of the apparatus or the power plug at the wall must remain accessible, to be able to disconnect power from the apparatus.
18. To completely disconnect this apparatus from the AC Mains, disconnect the power supply cord plug from the AC receptacle.



American Users:

Note: This equipment has been tested and found to comply with the limits for a Class B digital device, pursuant to part 15 of the FCC Rules. These limits are designed to provide reasonable protection against harmful interference in a residential installation. This equipment generates, uses, and can radiate radio frequency energy and, if not installed and used in accordance with the instructions, may cause harmful interference to radio communications. However, there is no guarantee that interference will not occur in a particular installation. If this equipment does cause harmful interference to radio or television reception, which can be determined by turning the equipment off and on, the user is encouraged to try to correct the interference by one or more of the following measures:

- Reorient or relocate the receiving antenna.
- Increase the separation between the equipment and receiver.
- Connect the equipment into an outlet on a circuit different from that to which the receiver is connected.
- Consult the dealer or an experienced radio/TV technician for help.

Caution: Unauthorized changes or modifications to the receiver could void the users authority to operate the equipment.



Manufactured under license from Dolby Laboratories.
Dolby and the double-D symbol are trademarks of Dolby Laboratories.



Canadian Users:

This class B digital apparatus complies with Canadian ICES-003.
Cet appareil numérique de classe B est conforme à la norme NMB-003 du Canada.



European Users:

RLAN - Radio Local Area Network Equipment

AT	CZ	FI	IS	LT	PT	SE	FR
BE	DK	DE	IE	MT	SK	CH	IT
EE	GR	LV	NL	SI	TR	LU	CY
HU	PL	ES	GB	NO			

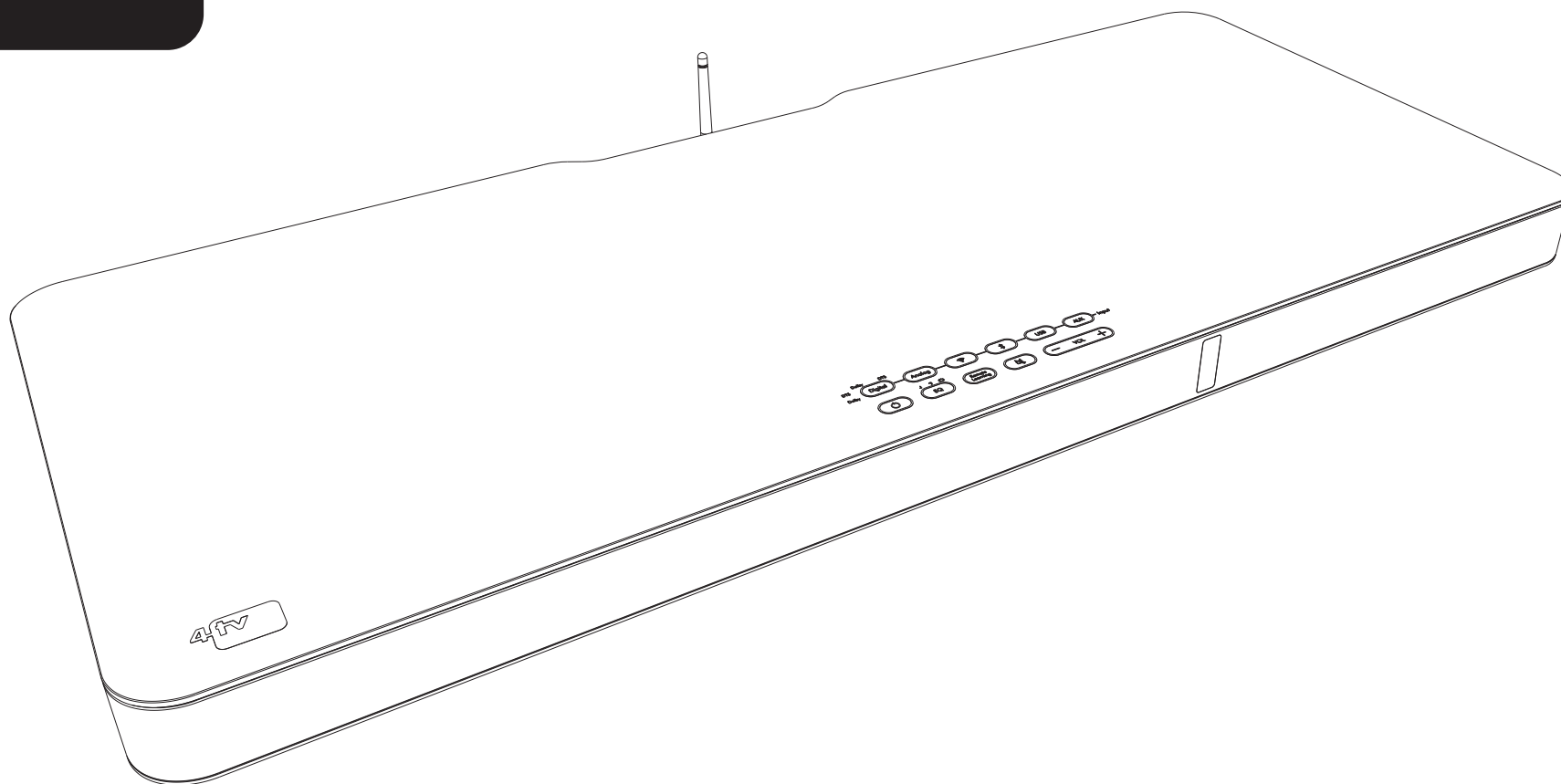
This equipment may only be used indoors in FR.
This equipment may only be used in one's own premises in IT.
This equipment is for private use only in LU
Operation is not allowed within a radius of 20 km from the centre of Ny-Ålesund in NO.

Hereby, AudioXperts, Inc. 505 Paradise Rd. Ste. 397, Swampscott, MA 01907 USA, declares that this 4TV 2112 is in compliance with the essential requirements and other relevant provisions of Directive 1999/5/EC. A copy of the Declaration of Conformity (DOC) may be obtained from:

Mark Nazar
AudioXperts, Inc.
505 Paradise Rd. Ste. 397
Swampscott, MA 01907
USA



2112



USER MANUAL

Designed and Engineered by
audioxperts™

Congratulations!

Thank you for selecting the 4TV 2112 Audio Entertainment Console by AudioXperts. This owner's manual provides you with important information on setting up and enjoying your new music and surround sound system.

Please keep this manual and all packaging materials stored in a dry place in case you need access to them at a later date.

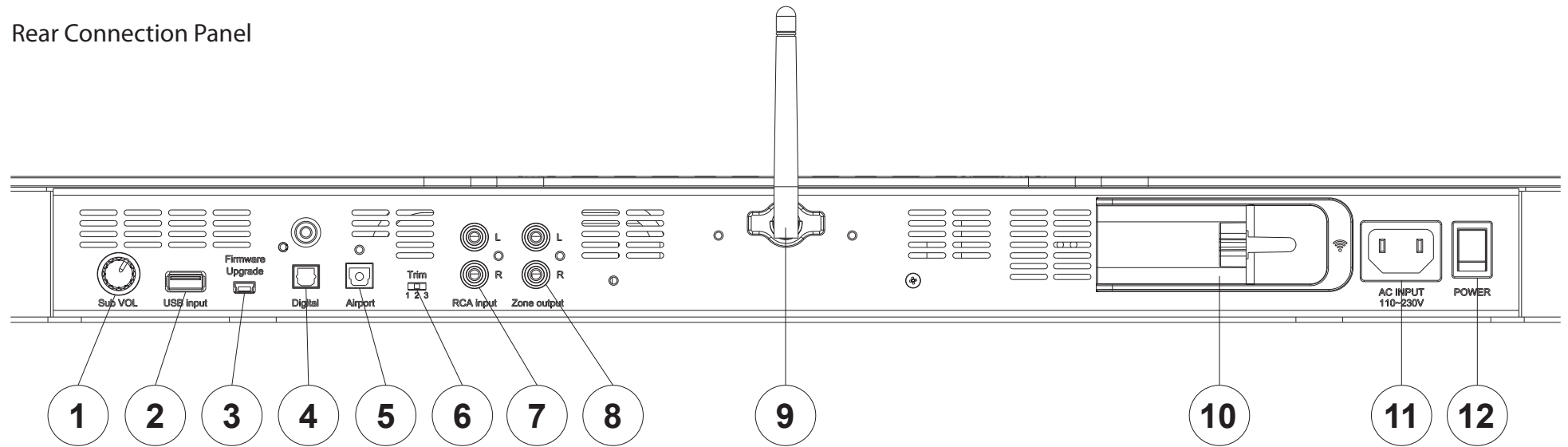
Key Features:

- Smoked glass and aluminum enclosures.
- Convenient top-mounted touch sensitive controls.
- Dolby Digital and DTS decoding.
- Music, Movie, and Enhanced-Dialogue listening modes.
- Bluetooth with CSR aptX codec for crystal clear, full bandwidth wireless music streaming.
- SRS TruVolume provides listeners with consistent level while watching TV.
- Instant connection for Apple® AirPort Express.
- Apple® audio USB input*.
- Learns your TV's remote control.
- Designed and engineered by AudioXperts.

Technical Specifications

- 350 W peak/200 W RMS Total System Power.
- Dual 20mm dome tweeters.
- Four patent-pending H.A.R.T. drive units.
- Four 4.5" long throw woofers.
- Built-in subwoofer for deep powerful bass.
- Inputs: Digital (3), Optical (2), COAX (1), Analog RCA (1), 1/8" Mini-Stereo (1), USB Audio (1), Bluetooth wireless.
- Main Unit Dimensions (H x W x D): 2.13" x 40.24" x 17.20".
- Main Unit Dimensions with Swivel Base (H x W x D): 2.56" x 40.24" x 17.20".

Rear Connection Panel



1

Sub Volume - Control subwoofer volume level.

2

USB Input – Connection of compatible Apple devices.

3

Firmware – Software upgrades.

4

Digital – Digital optical cable input connection.

5

Airport – Audio connection for AirPort Express.

6

Trim – Adjusts input signal level.

7

RCA Input – Analog RCA cable input connection.

8

Zone Output – Audio output for 2nd zone.

9

Antenna – Antenna for Bluetooth wireless.

10

AirPort Express Connector – Power connection for the AirPort Express.

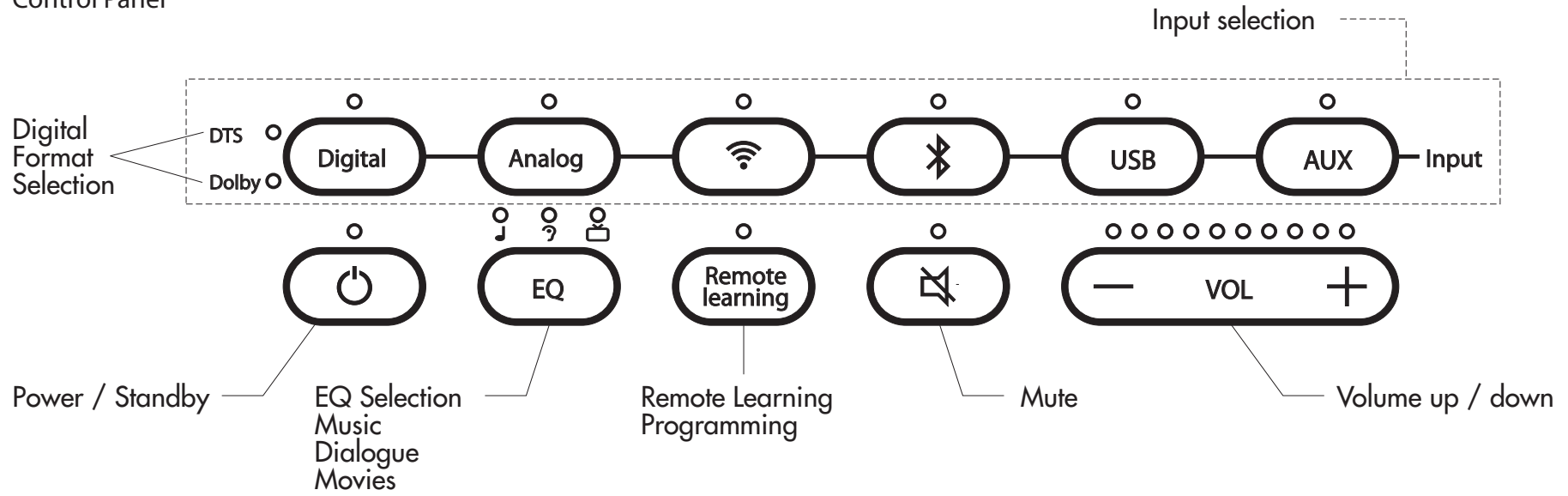
11

AC Input – Connect to wall outlet.

12

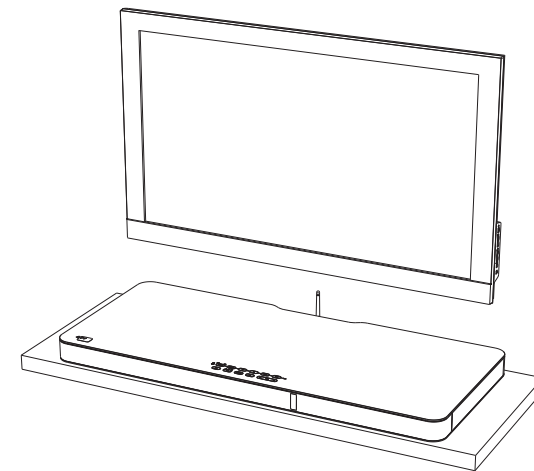
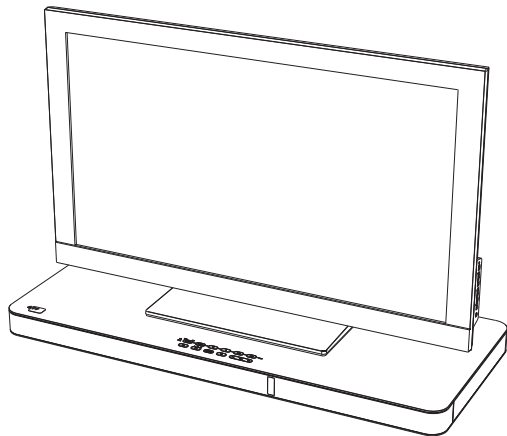
Power Switch – Main system power on and off.

Control Panel



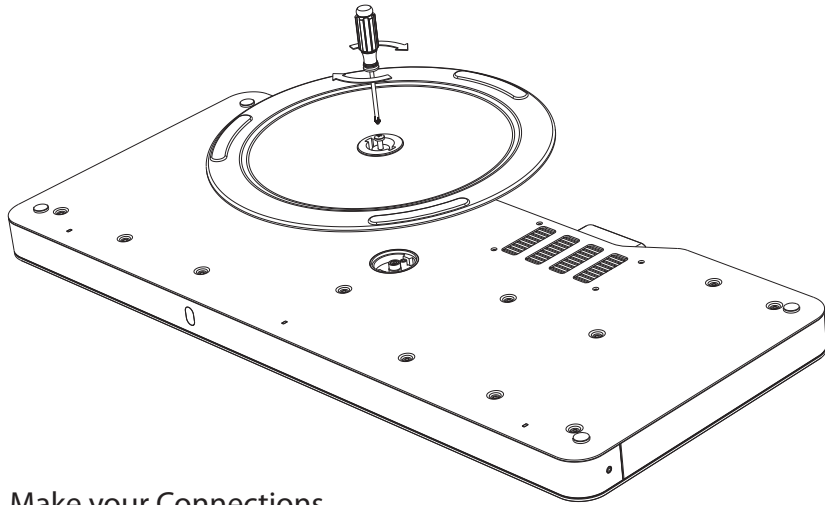
Find a Location

The 4TV Audio Entertainment Console is designed to be placed under your TV or on a shelf below a wall-mounted TV.



Attach the Swivel Base

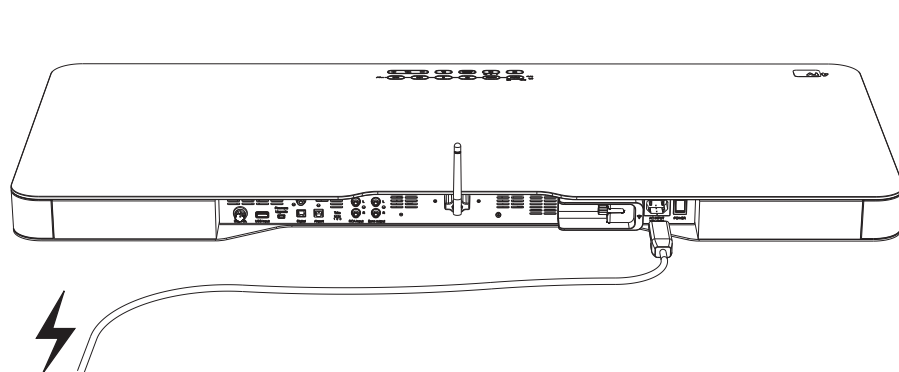
The included swivel base allows you to angle the 4TV console to your listening area. If desired, attach the swivel base with the supplied screw on the bottom of the 4TV console using a Phillips head screwdriver as shown.



Make your Connections

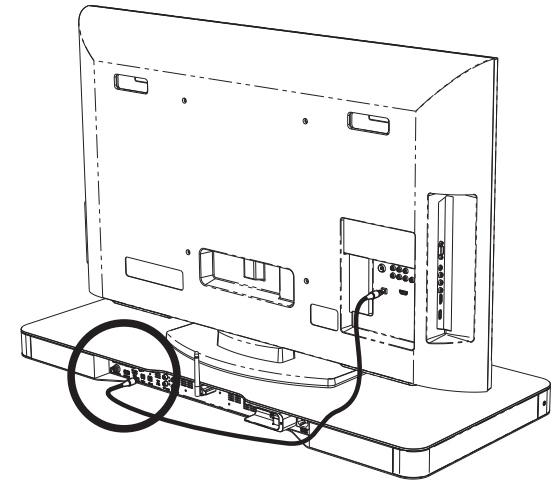
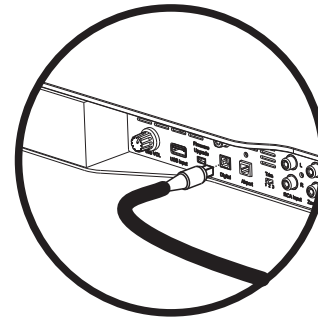
Power

Connect the included power cord to a nearby power outlet.



Audio

Best Connection: Digital Optical



Good Connection: Analog RCA Connectors

Once wire connections are complete, press the Digital or Analog button on the 4TV control panel to select the correct input.

