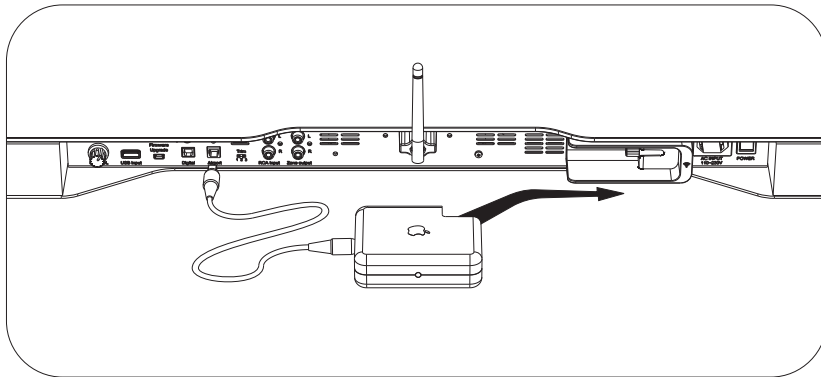


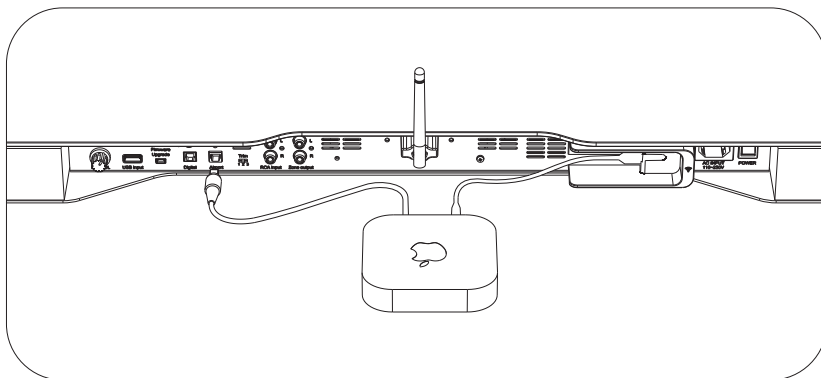
Once wire connections are complete, press the Digital or Analog button on the 4TV control panel to select the correct input.

#### Apple Airport Express (old & new versions)

To connect an original Airport Express to the 4TV, simply slide it into the Power Port as shown.



To connect the new Airport Express to the 4TV, use the included power adapter cable as shown.



Once power connection is complete, connect your digital optical audio cable from the Airport Express to the digital optical input labeled "Airport".

Turn on the Console



When the console Power Switch on the rear panel is first turned on, press the Power button on the 4TV control panel to turn the console on. The Power button light will go from red to blue and the blue control panel status lights will illuminate as well.

After playing the unit, all the LEDs will go out. If no audio signal is introduced for 10 minutes, the unit goes into a low power sleep state and the LED comes back on a solid red.

To turn the console on from a solid red state, approach the front of the console and it will activate the proximity sensor. The solid red LED will change to slowly blinking red.

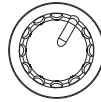
Now the Power button can be used to turn on the console. A remote control may be used to turn the console on at any time.

### Setting Volume Level



Press the Volume - button to lower the system volume. Press the Volume + button to make the system volume louder.

### Adjusting the Subwoofer Volume



Sub VOL

Use the rear mounted subwoofer level control to adjust the amount of bass you desire. Bass output may vary due to room environment and location of the 4TV console.

### Setting the Trim Switch (Optional)



1 2 3

Use the rear mounted trim switch to adjust the level of input from your TV or other audio device. Some TVs or devices may have a weak output signal or the signal strength may be too strong and can create noise. There are 3 positions on the switch to allow you to adjust to the optimal setting.

### Mute



To mute the system volume, press the "Mute" button on the control panel.

### Program your Remote Control (Program Volume Up)

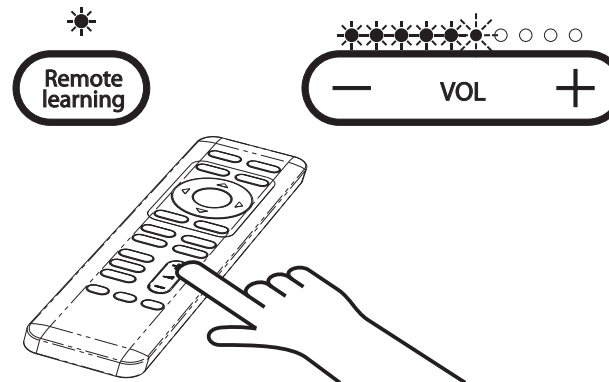
Step 1. Press the Remote Learning button on the 4TV control panel. The Remote Learning light will turn on and flash.



Step 2. Press the Volume + button on the 4TV control panel to be learned. The Remote Learning light will turn on.



Step 3. While pointing your TV or Cable/Sat remote control to the 4TV, press the Volume Up button on the remote control to be learned. The Remote Learning light and the Volume Up light on the 4TV will blink 9 times and then turn off to confirm.

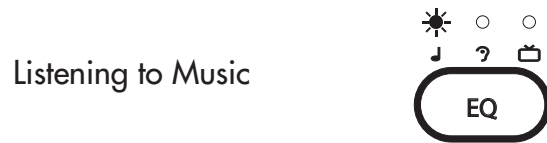


Repeat Steps 1 to 3 to program other remote control functions.  
(i.e. Volume Down, Power, and Mute)

Note: If learning is not successful, the Remote Learning light and assigned button light on the 4TV control panel blink alternately 9 times and then turns off.



The 4TV features a Movie Mode for full surround sound reproduction. To engage the Movie Mode, simply press EQ button on the control panel until the blue light is over the "TV" icon



The 4TV features a dedicated music listening mode for true stereo audio reproduction. To engage the Music Mode, simply press EQ button on the control panel until the blue light is over the "Note" icon

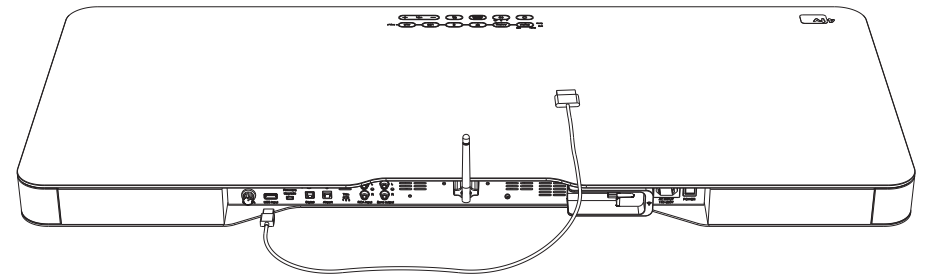


The 4TV features an Enhanced Dialogue Mode for enhanced dialogue perception of movie and television sound. To engage the Enhanced Dialogue Mode, simply press EQ button on the control panel until the blue light is over the "Ear" icon.



Connect a compatible iPod, iPhone, or iPad to the USB input on the back input panel of the 4TV. To select this input press the USB button on the control panel.

Play music on your iPod, iPhone, or iPad.



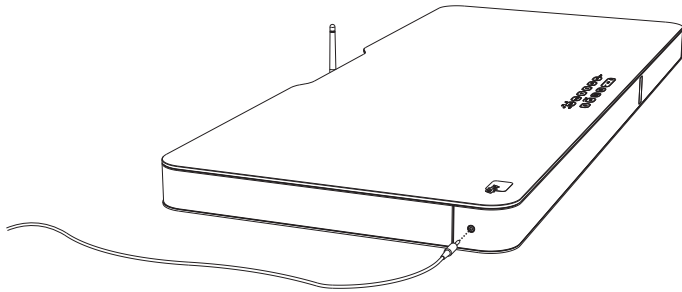
The USB connector is compatible with the following Apple products:

- Made for:
- iPod touch (4th generation)
  - iPod touch (3rd generation)
  - iPod touch (2nd generation)
  - iPod touch (1st generation)
  - iPod nano (6th generation)
  - iPhone 4S
  - iPhone 4
  - iPhone 3GS
  - iPhone 3G
  - iPad (3rd generation)
  - iPad 2
  - iPad

## Aux Input

AUX

Connect your audio device using a 1/8" mini stereo cable to the back input panel of the 4TV. To select this input press the AUX button on the control panel.



## Using Bluetooth Wireless Music Streaming



Press the "Bluetooth" button on the Control Panel. The blue light will blink. The LED blinks fast when it is looking for a previously paired device. Press the Bluetooth button for about 10 seconds until the LED blinks slowly (this is the pairing mode). Then place your Bluetooth-enabled Smartphone or computer in pairing mode to look for the 4TV and then select.

Once paired the blue light will turn solid. Now that your device is paired, play music on your device and the 4TV should play.



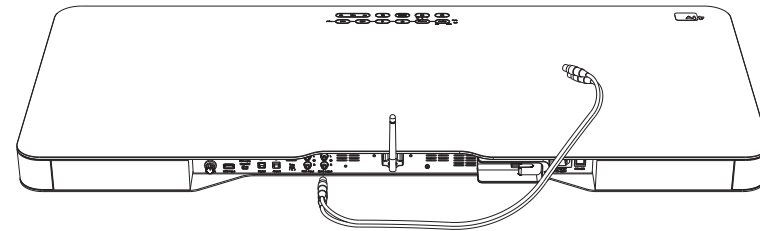
## Using Apple AirPort Express



After connecting your AirPort Express to the rear panel, press the "wireless/connect symbol" button on the control panel to engage the audio.

## Zone Output

To send audio to another room, simply connect and integrated amplifier or receiver to the Zone Output RCA analog connectors on the back panel of the 4TV.



## Limited Warranty Information

- Five Years Parts and Labor
- Two Years Over the Counter Exchange

The AudioXperts warranty protects the original owner, provided the AudioXperts product was purchased within the continental United States, Alaska or Hawaii from an authorized dealer. In all instances a copy of the original "dated" bill of sale must be presented whenever warranty service is required.

The warranty is limited to AudioXperts product and does not cover damage to any associated equipment. The warranty does not cover the cost of removal or reinstallation of the product. The warranty becomes void if the serial number has legal rights, and you may also have other rights, which vary from state to state.

NOTE: Repair of AudioXperts products must be made by an authorized dealer or service center. Unauthorized repair will void the warranty and is done at the risk of the owner.

## RF Exposure Warning

This equipment must be installed and operated in accordance with provided instructions and the antenna(s) used for this transmitter must be installed to provide a separation distance of at least 20 cm from all persons and must not be co-located or operating in conjunction with any other antenna or transmitter. End-users and installers must be provide with antenna installation instructions and transmitter operating conditions for satisfying RF exposure compliance.

## Radio Frequency (RF) Exposure Information

The radiated output power of the Wireless Device is below the Industry Canada (IC) radio frequency exposure limits. The Wireless Device should be used in such a manner such that the potential for human contact during normal operation is minimized. This device has also been evaluated and shown compliant with the IC RF Exposure limits under mobile exposure conditions. (antennas are greater than 20cm from a person's body).

## If Service is Required

Finished Goods RA Requests:  
(855)4MY - XPRT (469-9778) x 3, or  
email sales@audioxperts.com

Authorized Warranty/Service Centers, Tech Support and Parts:  
(855)4MY - XPRT (469-9778) x 22, or  
email support@audioxperts.com or  
visit our website at [www.audioxperts.com](http://www.audioxperts.com)

©2012 AudioXperts, Inc. AudioXperts and 4TV are trademarks of AudioXperts, Inc. iPhone, iPod, iPod nano, iPod touch, AirPort Express are trademarks of Apple Inc. registered in the U.S. and other countries. iPad is a trademark of Apple Inc. Dolby Digital is a registered trademark of Dolby Laboratories. DTS is a registered trademark of Digital Theater Systems, Inc. The Bluetooth figure mark, word mark, and combination mark are registered trademarks of Bluetooth SIG. SRS and TruVolume are trademarks of SRS Labs Inc. The aptX® software is copyright CSR plc or its group companies. All rights reserved. The aptX® mark and the aptX logo are trade marks of CSR plc or one of its group companies and may be registered in one or more jurisdictions. Specifications are subject to change without notice. All rights reserved. Unauthorized use is strictly prohibited.

Dolby

Manufactured under license from Dolby Laboratories.

Dolby and the double-D symbol are trademarks of  
Dolby Laboratories.

DTS

Manufactured under licence of the US patent numbers:

5,451,942 5,956,674; 5,974,380; 5,978,762; 6,487,535

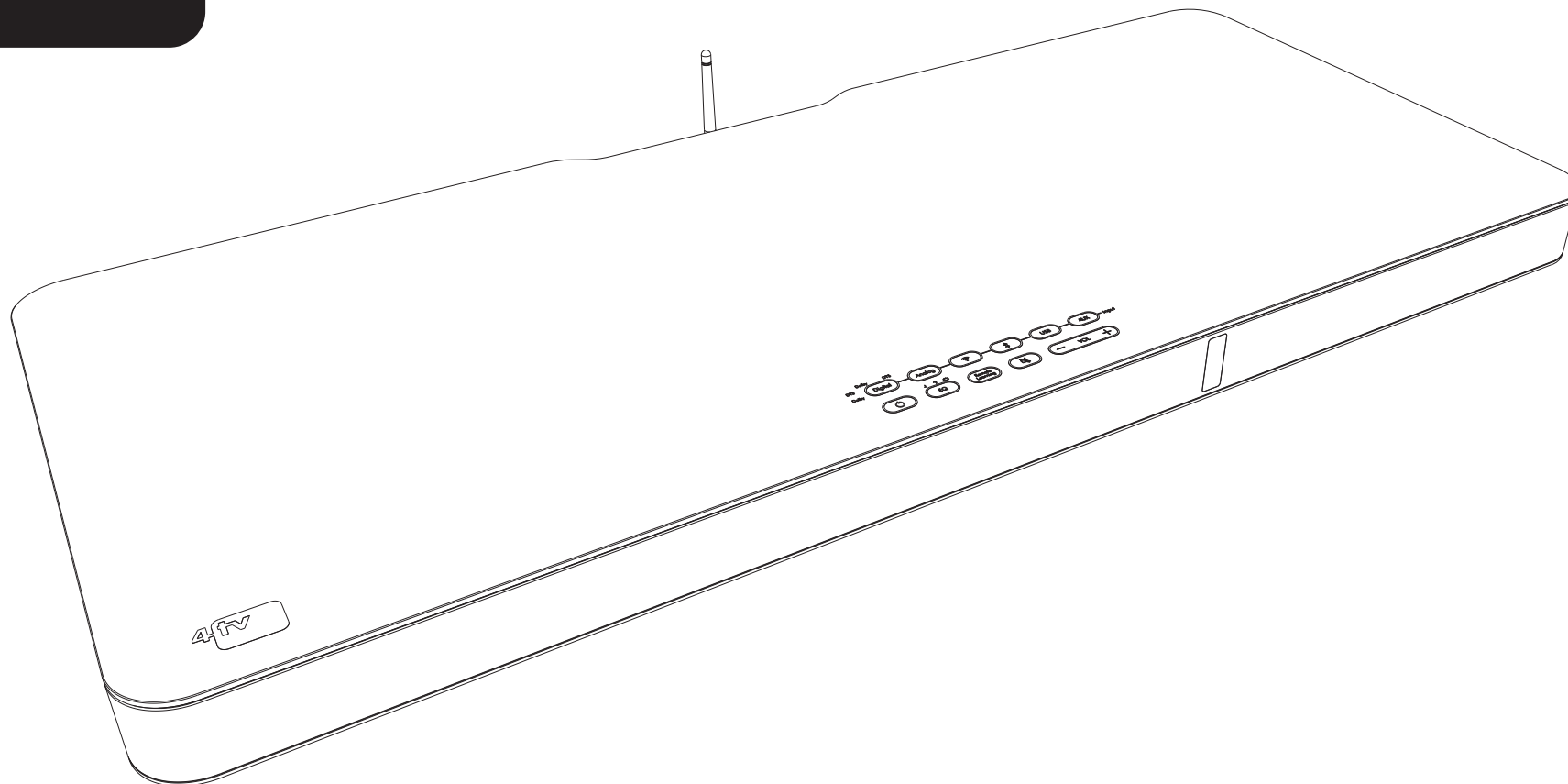
and other U.S and

international patents, which have been issued and are  
pending. DTS and DTS Digital Surround are registered  
trademarks and the DTS logos and the DTS symbol are  
trademarks of DTS, Inc. ©1996 – 2008 DTS Inc. All rights  
reserved.

Designed and Engineered by  
**audioxperts™**



2112



# MANUEL D'UTILISATION

Conçu et fabriqué par  
**audioxperts™**





## Félicitations !

Nous vous remercions d'avoir choisi la console de divertissement audio 4TV 2112 d'AudioXperts. Ce manuel d'utilisation contient des informations importantes pour régler et profiter de votre nouveau système musical et audio surround.

Veuillez conserver ce manuel et l'ensemble de l'emballage dans un endroit sec pour référence ou utilisation ultérieure.

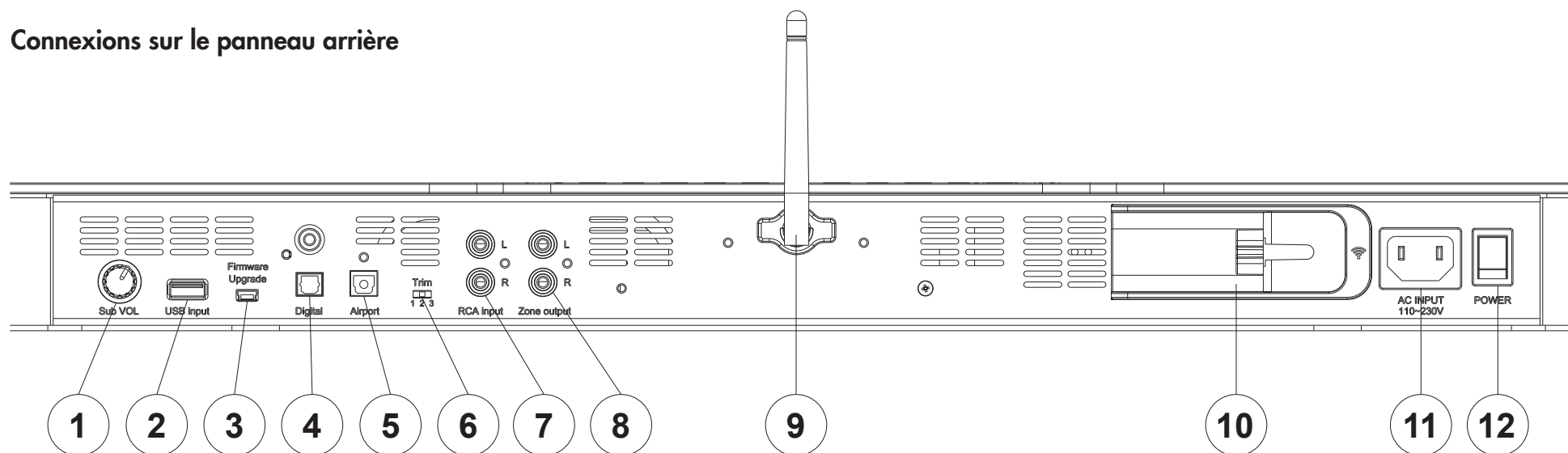
## Principales caractéristiques :

- Boîtier en aluminium et verre fumé.
- Commandes tactiles et pratiques sur le sommet.
- Décodage Dolby Digital et DTS.
- Modes musique, films et dialogues renforcés.
- Bluetooth avec codec CSR aptX pour la diffusion en continu et sans fil d'une musique limpide et totalement reconstituée.
- La technologie SRS TruVolume permet au téléspectateur de conserver un niveau constant pour regarder la TV.
- Connexion instantanée pour la borne AirPort Express d'Apple®.
- Entrée audio USB Apple®\*.
- Capable d'apprendre la télécommande de votre TV.
- Conçu et fabriqué par AudioXperts.

## Spécifications techniques

- Puissance totale de 350 W crête/200 W RMS.
- Deux haut-parleurs d'aigus à calotte de 20 mm.
- Quatre amplificateurs H.A.R.T. (brevet en cours).
- Quatre haut-parleurs de graves à course longue de 11,5 cm.
- Caisson de basse intégré pour des basses profondes.
- Entrées : numérique (3), optique (2), COAX (1), RCA analogique (1), mini-stéréo 3 mm (1), audio USB (1), Bluetooth sans fil.
- Dimensions de l'unité principale (H x l x P) : 5,4 x 102 x 43,7 cm (2,13 x 40,24 x 17,20 pouces).
- Dimensions de l'unité principale avec socle pivotant (H x l x P) : 6,5 x 102 x 43,7 cm (2,56 x 40,24 x 17,20 pouces).

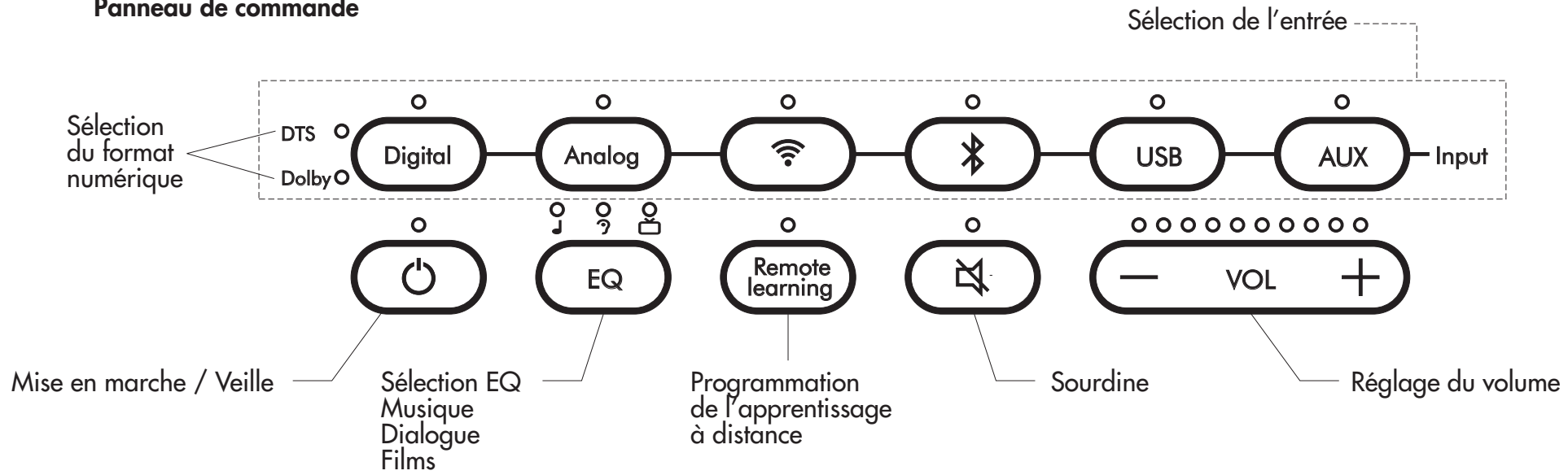
## Connexions sur le panneau arrière



- 1 Volume du caisson : contrôle le volume du caisson de basse
- 2 Entrée USB : branchement d'appareils Apple compatibles
- 3 Microprogramme : mises à jour du logiciel
- 4 Numérique : prise d'entrée d'un câble optique numérique
- 5 Airport : prise audio pour une borne AirPort Express
- 6 Fonction de compensation : règle le niveau du signal d'entrée

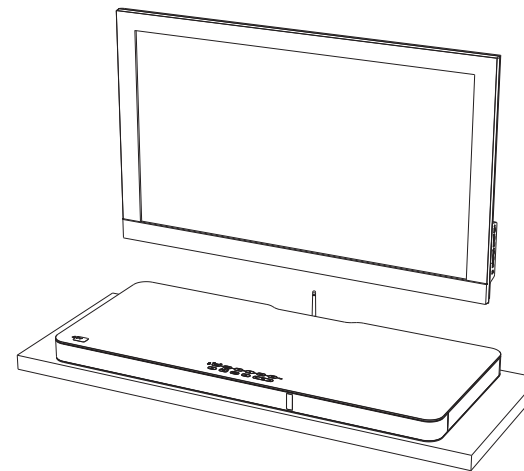
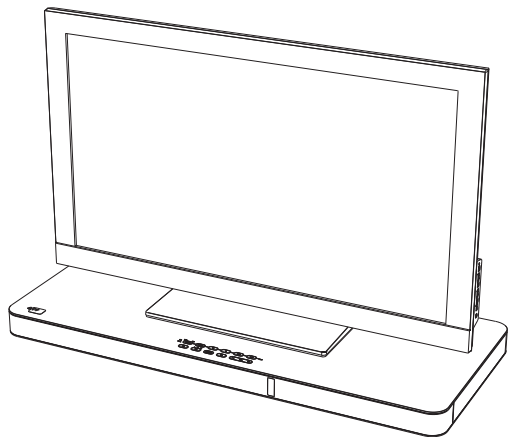
- 7 Entrée RCA : prise d'entrée d'un câble analogique RCA
- 8 Sortie Zone : sortie audio pour la seconde zone
- 9 Antenne : antenne pour un appareil Bluetooth sans fil
- 10 Connecteur AirPort Express : connexion d'alimentation pour une borne AirPort Express
- 11 Prise c.a. : se branche à la prise murale.
- 12 Interrupteur d'alimentation : interrupteur principal de marche/arrêt

## Panneau de commande



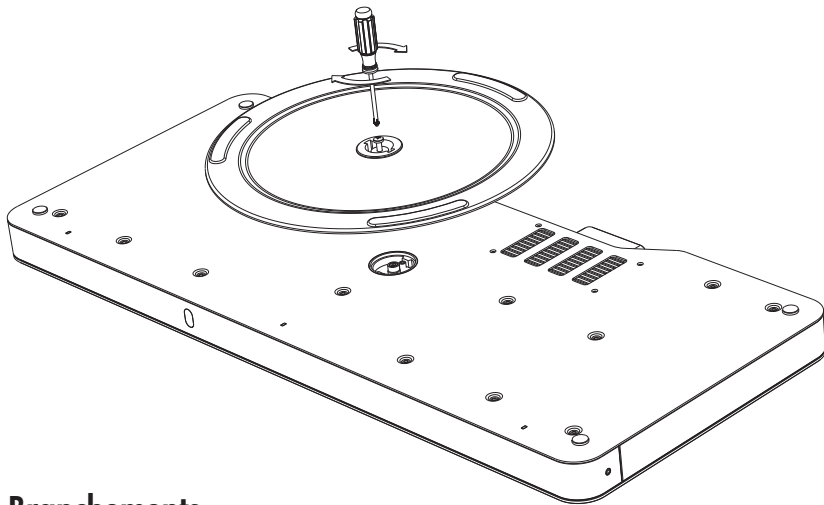
## Installation dans la pièce

La console de divertissement audio 4TV est conçue pour être placée sous votre téléviseur ou sur une étagère pour les écrans fixés au mur.



## Fixation du socle pivotant

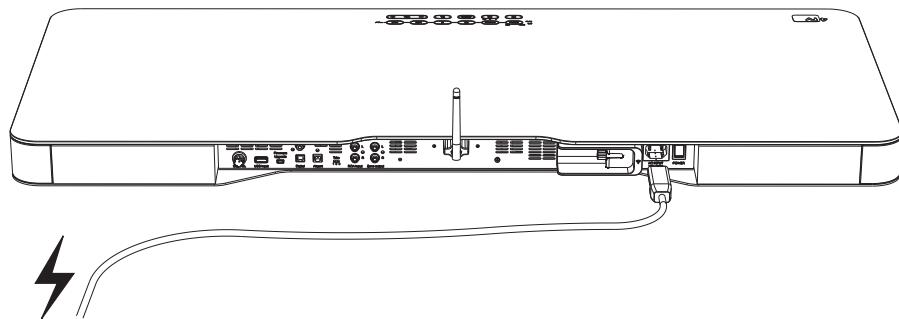
Le socle pivotant inclus vous permet d'orienter la console 4TV vers votre zone d'écoute. Si vous le souhaitez, fixez la base pivotante sous la console 4TV à l'aide de la vis fournie et d'un tournevis cruciforme comme illustré.



## Branchements

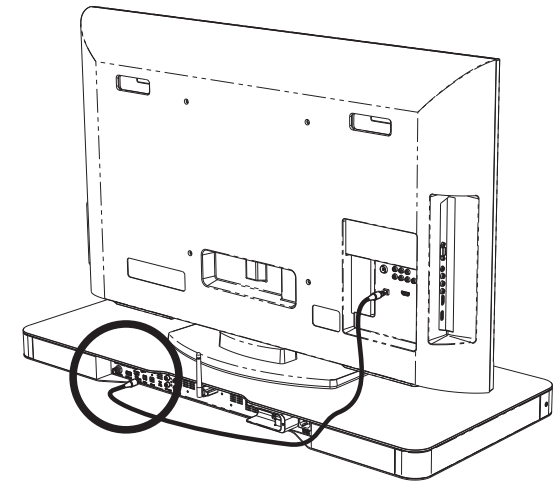
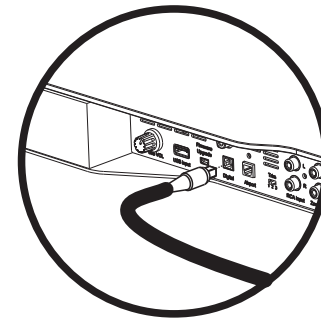
### Alimentation

Branchez le cordon électrique fourni à une prise murale située à proximité.



## Audio

**La meilleure connexion :** connecteur numérique optique



**Une bonne connexion :** connecteurs analogiques RCA

Une fois les branchements filaires établis, appuyez sur le bouton Digital (numérique) ou Analog (analogique) du panneau de commande de la console 4TV pour sélectionner l'entrée correcte.

