

IMPORTANT SAFETY INSTRUCTIONS



This symbol found on the apparatus indicates hazards arising from dangerous voltages.



This symbol found on the apparatus indicates the user should read all safety statements found in the user manual.



This symbol found on the apparatus indicates double insulation



Warning!
To reduce the risk of fire or electrical shock, do not expose this apparatus to rain or moisture.

1. Read these instructions.
2. Keep these instructions.
3. Heed all warnings.
4. Follow all instructions.
5. Do not use this apparatus near water.
6. Clean only with dry cloth.
7. Do not block any ventilation openings. Install in accordance with the manufacturer's instructions.
8. Do not install near any heat sources such as radiators, heat registers, stoves, or other apparatus (including amplifiers) that produce heat.
9. Do not defeat the safety purpose of the polarized or grounding-type plug. A polarized plug has two blades with one wider than the other. A grounding-type plug has two blades and a third grounding prong. The wide blade or the third prong is provided for your safety. If the provided plug does not fit into your outlet, consult an electrician for replacement of the obsolete outlet.
10. Protect the power cord from being walked on or pinched particularly at plugs, convenience receptacles, and the point where they exit from the apparatus.

11. Only use attachments/accessories specified by the manufacturer.
12. Unplug this apparatus during lightning storms or when unused for long periods of time.
13. Refer all servicing to qualified service personnel. Servicing is required when the apparatus has been damaged in any way, such as power-supply cord or plug is damaged, liquid has been spilled or objects have fallen into the apparatus, the apparatus has been exposed to rain or moisture, does not operate normally, or has been dropped.
14. Maintain a minimum distance of 2" (50mm) around the front, rear, and sides of the apparatus for sufficient ventilation. The ventilation should not be impeded by covering the ventilation openings or placing on or around the apparatus items such as newspapers, table-cloths, curtains, etc.
15. No open flame sources, such as lighted candles, should be placed on the apparatus.
15. The apparatus shall not be exposed to dripping or splashing. No objects filled with liquids, such as vases, shall be placed on the apparatus.
17. Either the power inlet connector on the rear of the apparatus or the power plug at the wall must remain accessible, to be able to disconnect power from the apparatus.
18. To completely disconnect this apparatus from the AC Mains, disconnect the power supply cord plug from the AC receptacle.



American Users:

Note: This equipment has been tested and found to comply with the limits for a Class B digital device, pursuant to part 15 of the FCC Rules. These limits are designed to provide reasonable protection against harmful interference in a residential installation. This equipment generates, uses, and can radiate radio frequency energy and, if not installed and used in accordance with the instructions, may cause harmful interference to radio communications. However, there is no guarantee that interference will not occur in a particular installation. If this equipment does cause harmful interference to radio or television reception, which can be determined by turning the equipment off and on, the user is encouraged to try to correct the interference by one or more of the following measures:

- Reorient or relocate the receiving antenna.
- Increase the separation between the equipment and receiver.
- Connect the equipment into an outlet on a circuit different from that to which the receiver is connected.
- Consult the dealer or an experienced radio/TV technician for help.

Caution: Unauthorized changes or modifications to the receiver could void the users authority to operate the equipment.



Manufactured under license from Dolby Laboratories.
Dolby and the double-D symbol are trademarks of Dolby Laboratories.



Canadian Users:

This class B digital apparatus complies with Canadian ICES-003.
Cet appareil numérique de classe B est conforme à la norme NMB-003 du Canada.



European Users:

RLAN - Radio Local Area Network Equipment

AT	CZ	FI	IS	LT	PT	SE	FR
BE	DK	DE	IE	MT	SK	CH	IT
EE	GR	LV	NL	SI	TR	LU	CY
HU	PL	ES	GB	NO			

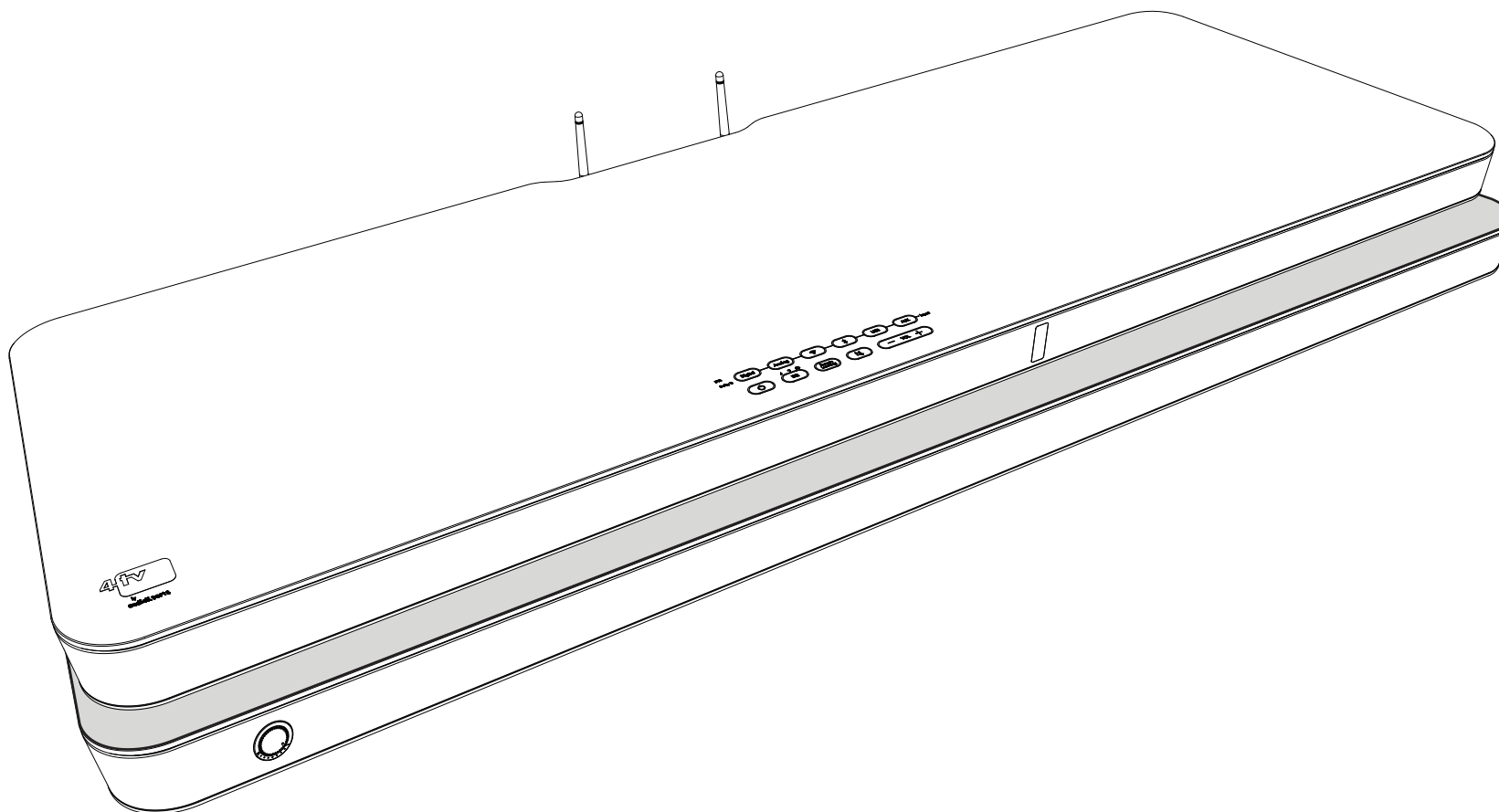
This equipment may only be used indoors in FR.
This equipment may only be used in one's own premises in IT.
This equipment is for private use only in LU
Operation is not allowed within a radius of 20 km from the centre of Ny-Ålesund in NO.

Hereby, AudioXperts, Inc. 505 Paradise Rd. Ste. 397, Swampscott, MA 01907 USA, declares that this 4TV 2112 is in compliance with the essential requirements and other relevant provisions of Directive 1999/5/EC. A copy of the Declaration of Conformity (DOC) may be obtained from:

Mark Nazar
AudioXperts, Inc.
505 Paradise Rd. Ste. 397
Swampscott, MA 01907
USA



5122



USER MANUAL

Designed and Engineered by
audioxperts™

Congratulations!

Thank you for selecting the 4TV 5122 Audio Entertainment System by AudioXperts. This owner's manual provides you with important information on setting up and enjoying your new music and surround sound system.

Please keep this manual and all packaging materials stored in a dry place in case you need access to them at a later date.

Key Features:

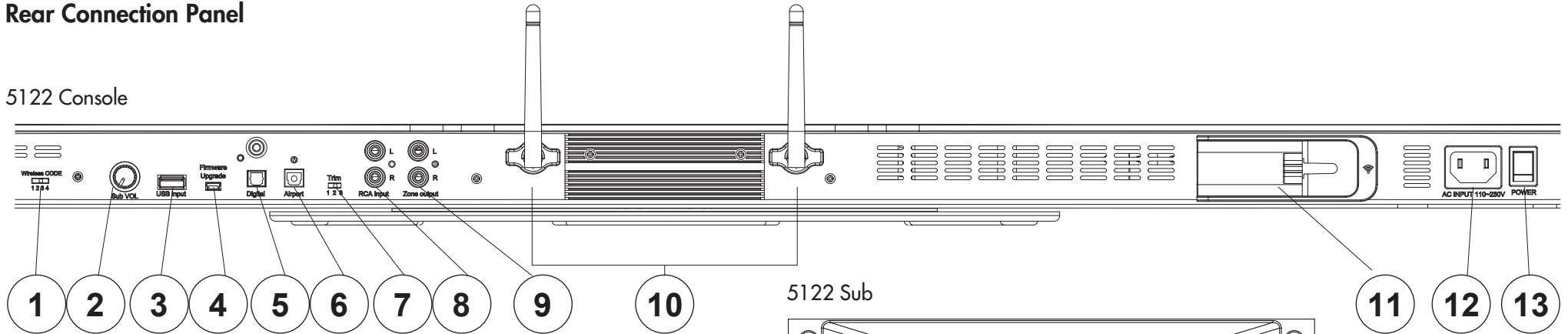
- Smoked glass and aluminum enclosures.
- Convenient top-mounted touch sensitive controls.
- Dolby Digital and DTS decoding.
- Music, Movie, and Enhanced-Dialogue listening modes.
- Bluetooth® with CSR® aptX® codec for crystal clear, full bandwidth wireless music streaming.
- LevelCorrect provides listeners with consistent level while watching TV
- Instant connection for Apple® AirPort Express
- Apple® audio USB input*
- Learns your TV's remote control.
- Wireless Subwoofer (shown with included feet)
- Console Weight with Swivel Base: 68lbs (30kg)
- Subwoofer Weight with Swivel Base: 69lbs (31kg)

Technical Specifications

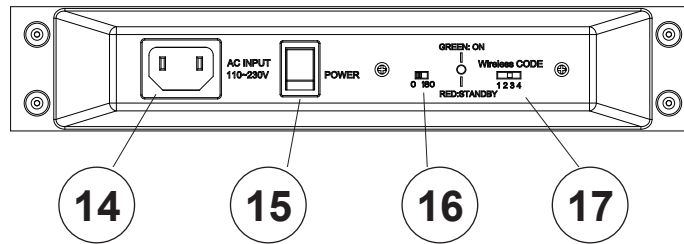
- 800 W peak/500 W RMS Total System Power
- Three 1" (25mm) fabric dome tweeters for left/center/right
- Six patent-pending H.A.R.T. drivers for left/center/right
- Four patent-pending H.A.R.T. drivers for dipole surround
- Eight 4.5" (114mm) SSHO woofers for powerful subwoofer performance
- Inputs: Digital Optical (2), COAX (1), Analog RCA (1), 1/8" (3.5mm) Mini-Stereo (1), USB Audio (1)
- Console Dimensions (H x W x D): 2" x 50-1/2" x 17-1/4" (51 x1283 x 438mm)
- Console Dimensions with Swivel Base (H x W x D): 2-1/4" x 50-1/2" x 17-1/4" (57 x1283 x 438mm)
- Subwoofer Dimensions (H x W x D): 2-1/4" x 50-1/2" x 17-1/4" (51 x1022 x 438mm)

Rear Connection Panel

5122 Console

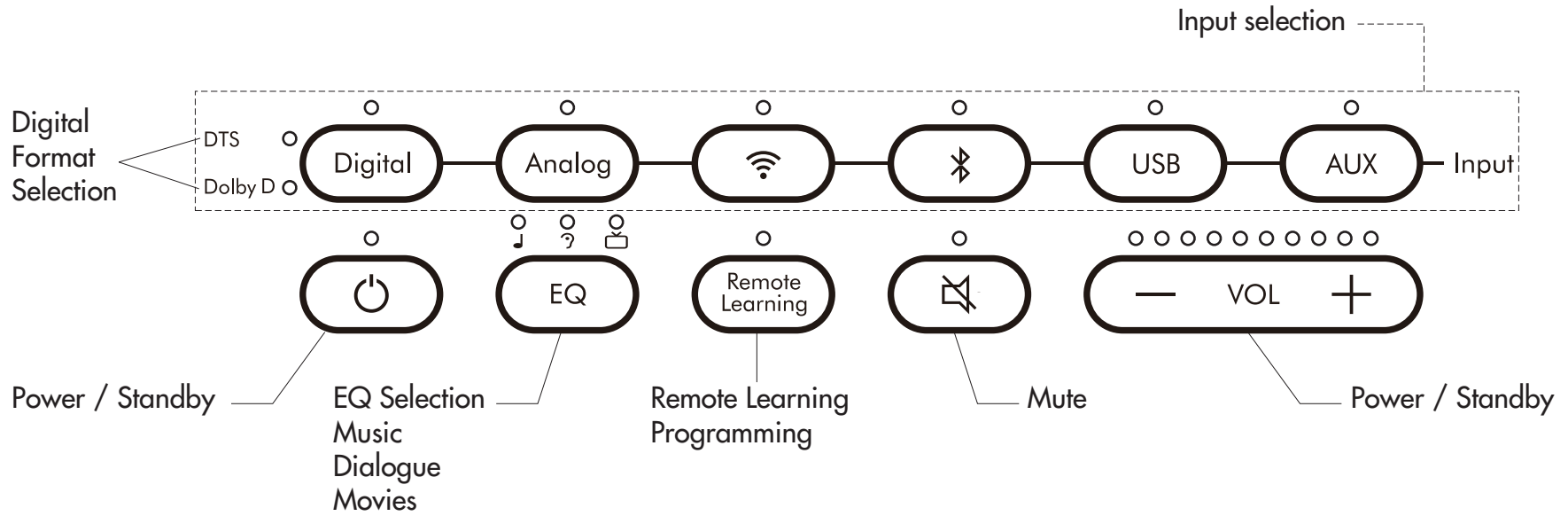


5122 Sub



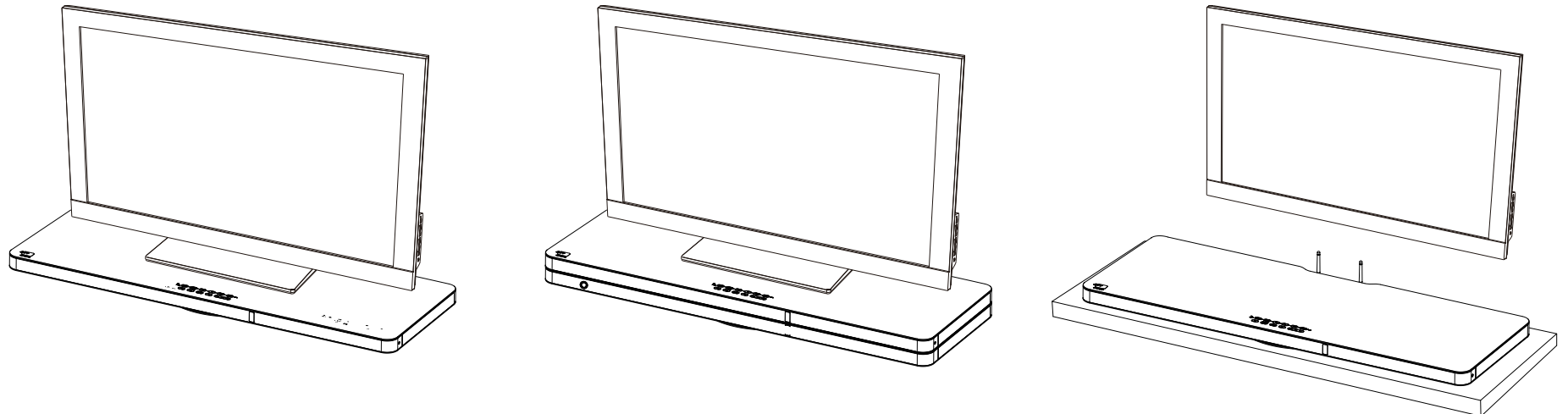
- | | |
|---|---|
| <p>1 Wireless CODE - Set to same channel as Sub</p> <p>2 Sub Volume - Control subwoofer volume level.</p> <p>3 iPod/iPhone/iPad (USB) – Connection of compatible Apple devices.</p> <p>4 Firmware – Software upgrades.</p> <p>5 Digital - Digital optical and COAX cable input connections</p> <p>6 Airport – Audio connection for AirPort Express.</p> <p>7 Trim – Adjusts input signal level.</p> <p>8 RCA Input – Analog RCA cable input connection.</p> <p>9 Zone Output – Audio output for 2nd zone.</p> <p>10 Antenna 1 – Antenna for Bluetooth wireless.
Antenna 2 – Antenna for Wireless Sub.</p> | <p>11 AirPort Express Connector – Power connection for the AirPort Express.</p> <p>12 AC Input – Connect to wall outlet.</p> <p>13 Power Switch – Main system power on and off.</p> <p>14 AC Input - Connect to wall outlet</p> <p>15 Power Switch - Power on and off</p> <p>16 Phase Switch - 0 or 180 degrees</p> <p>17 Wireless CODE - Set to same channel as Console</p> |
|---|---|

Control Panel



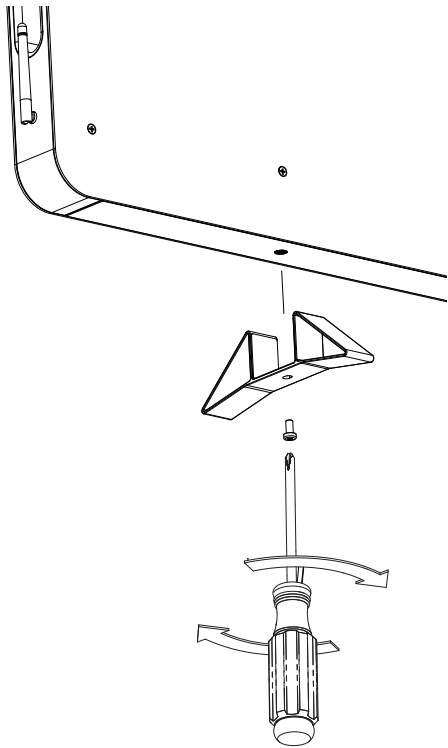
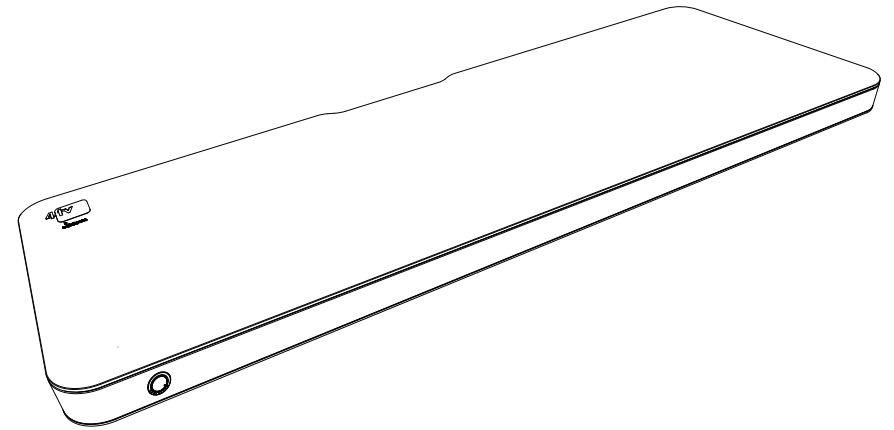
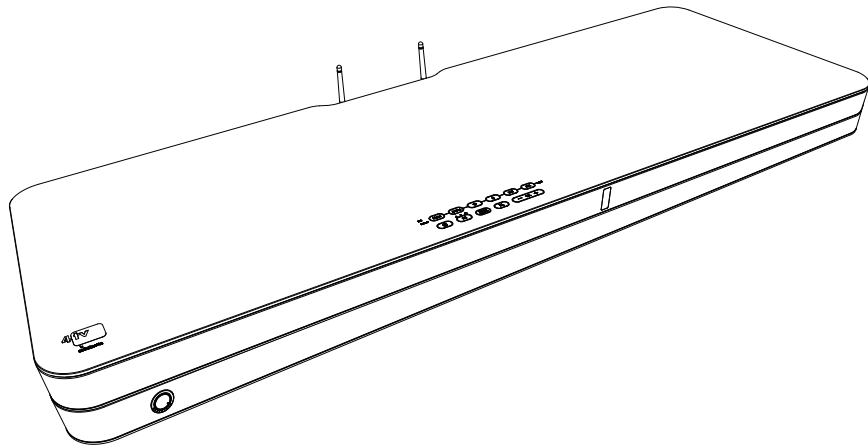
Find a Location

The 4TV Audio Entertainment Console is designed to be placed under your TV or on a shelf below a wall-mounted TV.



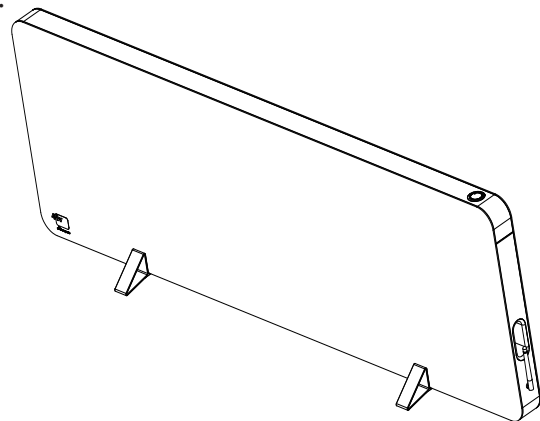
Find a location for the Wireless Subwoofer

In the horizontal position, the wireless subwoofer can be placed directly under the 5122 console or positioned under a couch or other furniture.



For vertical positioning, attached the included feet to the subwoofer as shown. A single screw conveniently fastens each foot.

Once the feet are attached, the sub can be placed against a wall or even hidden away behind a couch.



Set the Wireless Subwoofer Channel

Set the Wireless Channel Switch on the console and the subwoofer to the same number. If you receive any interference or connection is not made, try setting both units to an alternate number.

Console

Wireless CODE



1 2 3 4

Sub

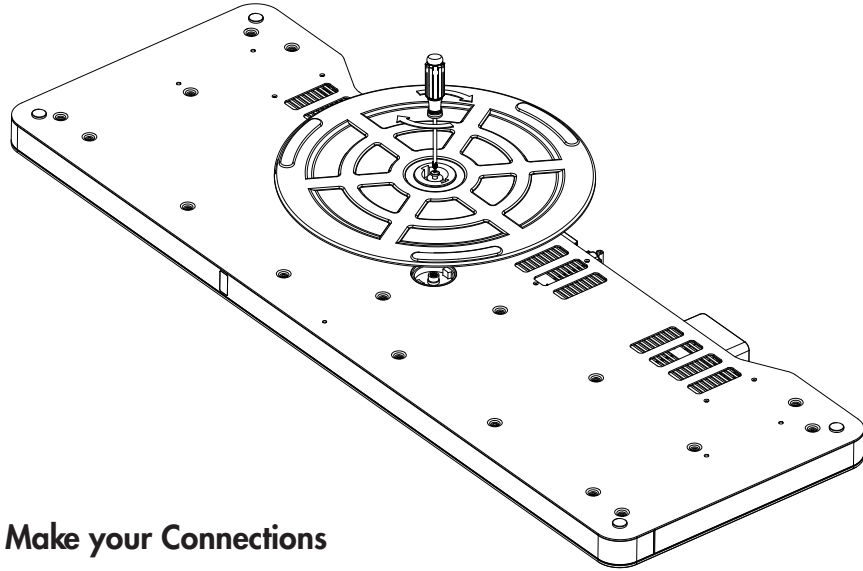
Wireless CODE



1 2 3 4

Attach Swivel Base

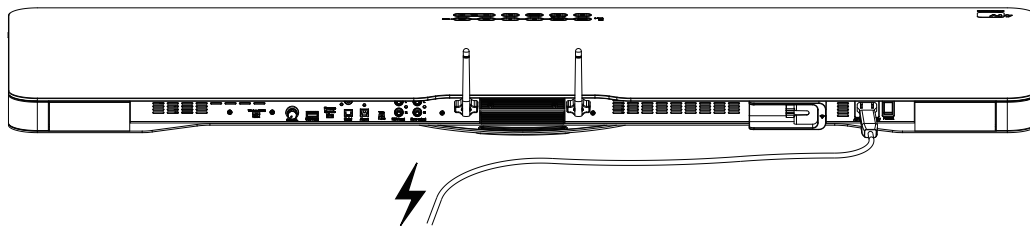
The included swivel base allows you to angle the 4TV console to your listening area. If desired, attach the swivel base with the supplied screw on the bottom of the 4TV console using a Phillips head screwdriver as shown.



Make your Connections

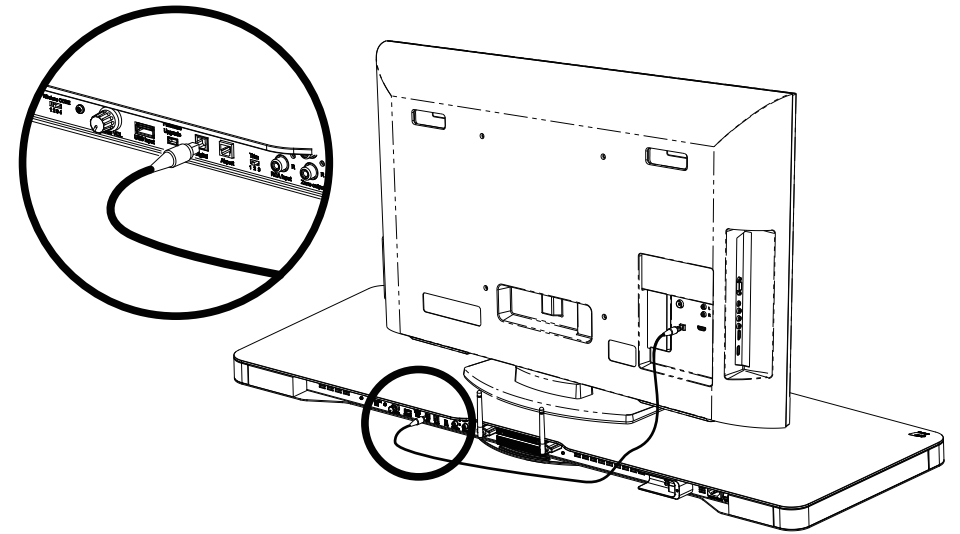
Power

Connect the included power cord to a nearby power outlet on console and wireless subwoofer.

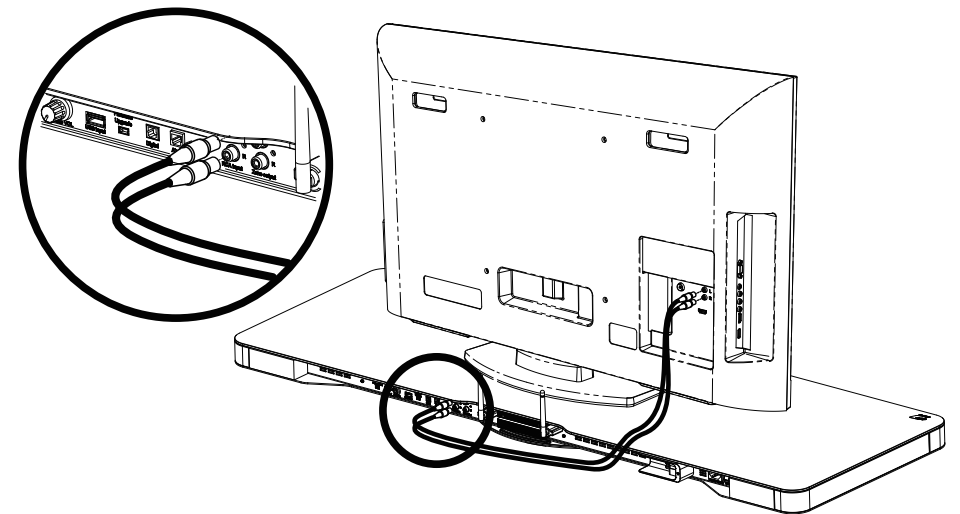


Audio

Best Connection: Digital Optical



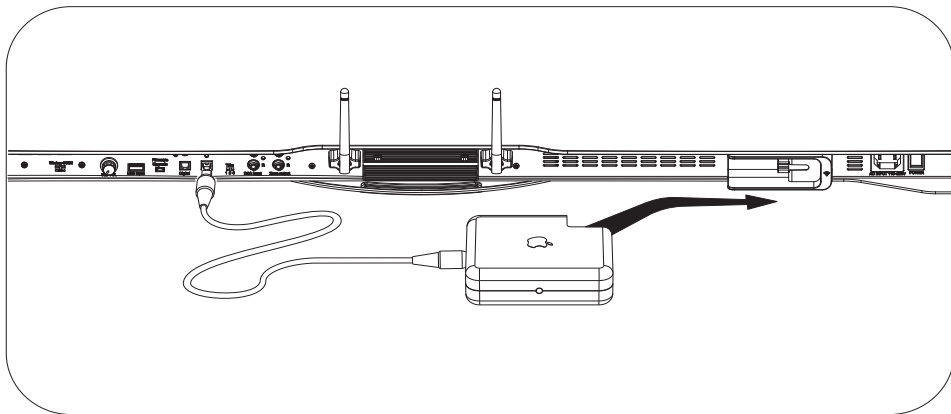
Good Connection: Analog RCA Connectors



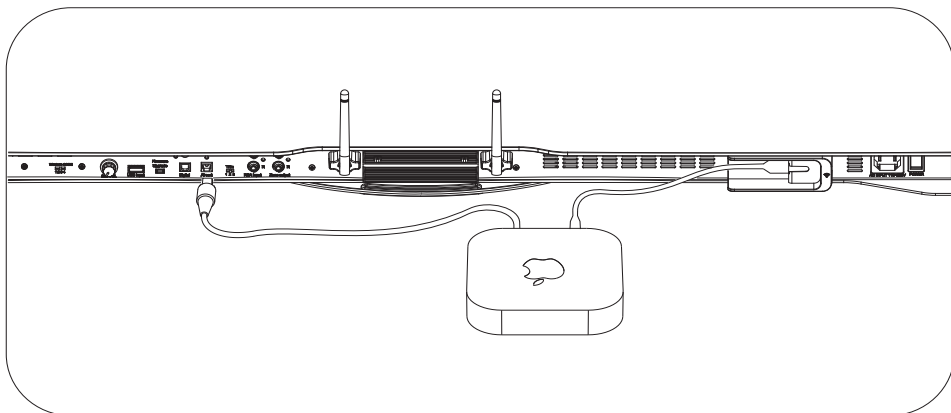
Once wire connections are complete, press the Digital or Analog button on the 4TV control panel to select the correct input.

Apple Airport Express (old & new versions)

To connect an original Airport Express to the 4TV, simply slide it into the Power Port as shown.



To connect the new Airport Express to the 4TV, use the included power adapter cable as shown.



Once power connection is complete, connect your digital optical audio cable from the Airport Express to the digital optical input labeled "Airport".

Turn on the Console



When the console Power Switch on the rear panel is first turned on, press the Power button on the 4TV control panel to turn the console on. The Power button light will go from red to blue and the blue control panel status lights will illuminate as well.

After playing the unit, all the LEDs will go out. If no audio signal is introduced for 10 minutes, the unit goes into a low power sleep state and the LED comes back on a solid red.

To turn the console on from a solid red state, approach the front of the console and it will activate the proximity sensor. The solid red LED will change to slowly blinking red.

Now the Power button can be used to turn on the console. A remote control may be used to turn the console on at any time.

Setting Volume Level



Press the Volume - button to lower the system volume. Press the Volume + button to make the system volume louder.

Adjusting the Subwoofer Volume



The subwoofer volume level is best set up by turning the volume control on the subwoofer to about 3/4 full, then adjust with the console's rear mounted subwoofer volume knob to the amount of bass you desire. Bass output may vary due to room environment and location of the 4TV.

Setting the Trim Switch (Optional)



Use the rear mounted trim switch to adjust the level of input from your TV or other audio device. Some TVs or devices may have a weak output signal or the signal strength may be too strong and can create noise. There are 3 positions on the switch to allow you to adjust to the optimal setting.

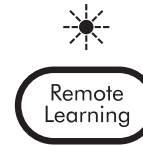
Mute



To mute the system volume, press the "Mute" button on the control panel.

Program your Remote Control (Program Volume +)

Step 1. Press the Remote Learning button on the 4TV control panel. The Remote Learning light will turn on and flash.

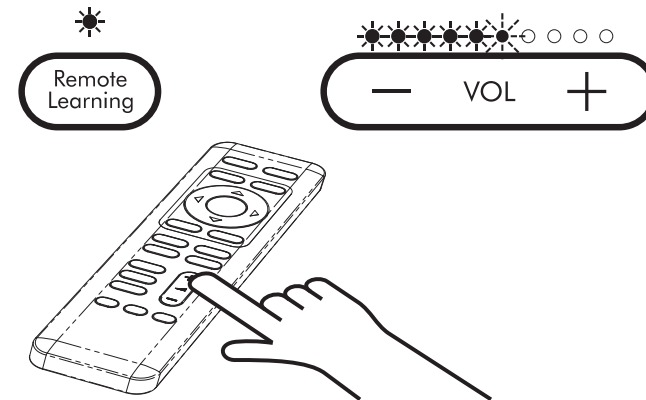


Step 2. Press the Volume + button on the 4TV control panel to be learned. The Remote Learning and Volume + buttons will light.

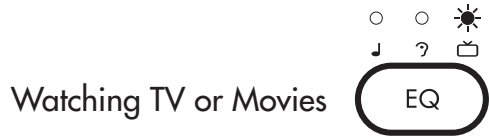


Step 3. While pointing your TV or Cable/Sat remote control to the 4TV, press the Volume + button on the remote control 4 times to be learned. The Remote Learning light and the Volume + light on the 4TV will blink 4 times and then turn off to confirm.

Note: If Remote Learning is not confirmed, lights will blink alternating several times.



Repeat Steps 1 to 3 to program other remote control functions.
(i.e. Volume Down, Power, and Mute)



Watching TV or Movies

The 4TV features a Movie Mode for full surround sound reproduction. To engage the Movie Mode, simply press EQ button on the control panel until the blue light is over the "TV" icon



Listening to Music

The 4TV features a dedicated music listening mode for true stereo audio reproduction. To engage the Music Mode, simply press EQ button on the control panel until the blue light is over the "Note" icon



Enhanced Dialogue Mode

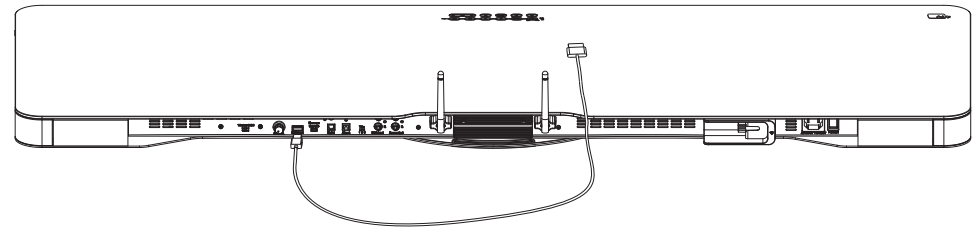
The 4TV features an Enhanced Dialogue Mode for enhanced dialogue perception of movie and television sound. To engage the Enhanced Dialogue Mode, simply press EQ button on the control panel until the blue light is over the "Ear" icon.

iPod/iPhone/iPad (USB)



Connect a compatible iPod, iPhone, or iPad to the USB input on the back input panel of the 4TV. To select this input press the USB button on the control panel.

Play music on your iPod, iPhone, or iPad.



The USB connector is compatible with the following Apple products:

Made for:

- iPod touch (4th generation)
- iPod touch (3rd generation)
- iPod touch (2nd generation)
- iPod touch (1st generation)
- iPod nano (6th generation)
- iPhone 4S
- iPhone 4
- iPhone 3GS
- iPhone 3G
- iPad (3rd generation)
- iPad 2
- iPad 8