



# TVee™ Model Two

## Television Entertainment Enhancement System

### Español

Sistema de Mejora del Entrenimiento Televisivo.

### Italiano

Sistema di TV entertainment avanzato

### Deutsch

System zur Steigerung der Fernsehunterhaltung

### Français

Système de perfectionnement sonore pour télévision et système de divertissement à domicile

### Swedish

System för bättre TV-underhållning



## **Federal Communication Commission Interference Statement**

This equipment has been tested and found to comply with the limits for a Class B digital device, pursuant to Part 15 of the FCC Rules. These limits are designed to provide reasonable protection against harmful interference in a residential installation.

This equipment generates, uses and can radiate radio frequency energy and, if not installed and used in accordance with the instructions, may cause harmful interference to radio communications. However, there is no guarantee that interference will not occur in a particular installation. If this equipment does cause harmful interference to radio or television reception, which can be determined by turning the equipment off and on, the user is encouraged to try to correct the interference by one of the following measures:

- . Reorient or relocate the receiving antenna.
- . Increase the separation between the equipment and receiver.
- . Connect the equipment into an outlet on a circuit different from that to which the receiver is connected.
- . Consult the dealer or an experienced radio/TV technician for help.

**FCC Caution:** To assure continued compliance, any changes or modifications not expressly approved by the party responsible for compliance could void the user's authority to operate this equipment. (Example - use only shielded interface cables when connecting to computer or peripheral devices).

## **FCC Radiation Exposure Statement**

This equipment complies with FCC RF radiation exposure limits set forth for an uncontrolled environment. This equipment should be installed and operated with a minimum distance of 20 centimeters between the radiator and your body.

This device complies with Part 15 of the FCC Rules. Operation is subject to the following two conditions: (1) This device may not cause harmful interference, and (2) This device must accept any interference received, including interference that may cause undesired operation.

## **Canada (Industry Canada)**

Operation is subject to the following two conditions:

- (1) this device may not cause interference, and
- (2) this device must accept any interference, including interference that may cause undesired operation of the device.

To prevent radio interference to the licensed service (i.e. co-channel Mobile Satellite systems) this device is intended to be operated indoors and away from windows to provide maximum shielding. Equipment (or its transmit antenna) that is installed outdoors is subject to licensing.

**IMPORTANT SAETY INSTRUCTIONS**



This symbol found on the apparatus indicates hazards arising from dangerous voltages.



This symbol found on the apparatus indicates the user should read all safety statements found in the user manual.



This symbol found on the apparatus indicates double insulation.



**Warning!**  
To reduce the risk of fire or electrical shock, do not expose this apparatus to rain or moisture.

1. Read these instructions.
2. Keep these instructions.
3. Heed all warnings.
4. Follow all instructions.
5. Do not use this apparatus near water.
6. Clean only with dry cloth.
7. Do not block any ventilation openings. Install in accordance with the manufacturer's instructions.
8. Do not install near any heat sources such as radiators, heat registers, stoves, or other apparatus (including amplifiers) that produce heat.
9. Do not defeat the safety purpose of the polarized or grounding-type plug. A polarized plug has two blades with one wider than the other. A grounding-type plug has two blades and a third grounding prong. The wide blade or the third prong is provided for your safety. If the provided plug does not fit into your outlet, consult an electrician for replacement of the obsolete outlet.
10. Protect the power cord from being walked on or pinched particularly at plugs, convenience receptacles, and the point where they exit from the apparatus.
11. Only use attachments/accessories specified by the manufacturer.
12. Unplug this apparatus during lightning storms or when unused for long periods of time.
13. Refer all servicing to qualified service personnel. Servicing is required when the apparatus has been damaged in any way, such as power-supply cord or plug is damaged, liquid has been spilled or objects have fallen into the apparatus, the apparatus has been exposed to rain or moisture, does not operate normally, or has been dropped.
14. Maintain a minimum distance of 2" (50mm) around the front, rear, and sides of the apparatus for sufficient ventilation. The ventilation should not be impeded by covering the ventilation openings or placing on or around the apparatus items such as newspapers, table-cloths, curtains, etc.
15. No open flame sources, such as lighted candles, should be placed on the apparatus.
16. The apparatus shall not be exposed to dripping or splashing. No objects filled with liquids, such as vases, shall be placed on the apparatus.
17. Either the power inlet connector on the rear of the apparatus or the power plug at the wall must remain accessible, to be able to disconnect power from the apparatus.
18. To completely disconnect this apparatus from the AC Mains, disconnect the power supply cord plug from the AC receptacle.



**American Users:**

**Note:** This equipment has been tested and found to comply with the limits for a Class B digital device, pursuant to part 15 of the FCC Rules. These limits are designed to provide reasonable protection against harmful interference in a residential installation. This equipment generates, uses, and can radiate radio frequency energy and, if not installed and used in accordance with the instructions, may cause harmful interference to radio communications. However, there is no guarantee that interference will not occur in a particular installation. If this equipment does cause harmful interference to radio or television reception, which can be determined by turning the equipment off and on, the user is encouraged to try to correct the interference by one or more of the following measures:

- Reorient or relocate the receiving antenna.
- Increase the separation between the equipment and receiver.
- Connect the equipment into an outlet on a circuit different from that to which the receiver is connected.
- Consult the dealer or an experienced radio/TV technician for help.

**Caution:** Unauthorized changes or modifications to the equipment could void the user's authority to operate the equipment.



**Canadian Users:**

Operation is subject to the following two conditions:

- (1) this device may not cause interference, and
  - (2) this device must accept any interference, including interference that may cause undesired operation of the device.
- To prevent radio interference to the licensed service, this device is intended to be operated indoors and away from windows to provide maximum shielding. Equipment that is installed outdoors is subject to licensing.



**European Users:**

RLAN - Radio Local Area Network Equipment

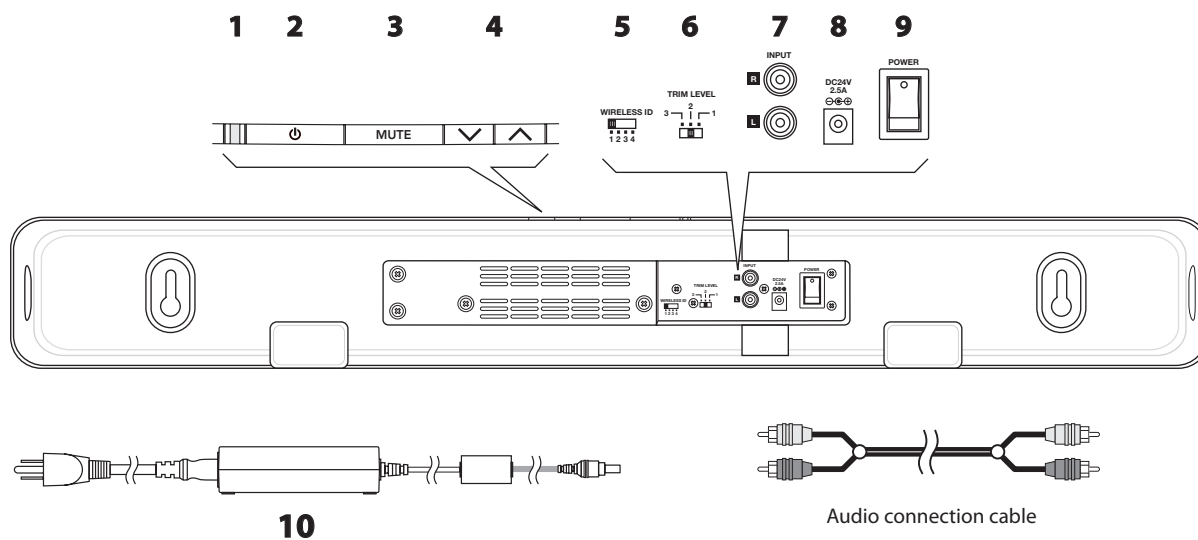
AT	CZ	FI	IS	LT	PT	SE	FR
BE	DK	DE	IE	MT	SK	CH	IT
EE	GR	LV	NL	SI	TR	LU	CY
HU	PL	ES	GB	NO			

This equipment may only be used indoors in FR.  
This equipment may only be used in one's own premises in IT.  
This equipment is for private use only in LU  
Operation is not allowed within a radius of 20 km from the centre of Ny-Ålesund in NO.

Hereby, Boston Acoustics, Inc. 300 Jubilee Drive, Peabody, MA 01960 USA, declares that this TVEe Model 2 is in compliance with the essential requirements and other relevant provisions of Directive 1999/5/EC. A copy of the Declaration of Conformity (DOC) may be obtained from:

Oliver Kriete  
Boston Acoustics, Division of D&M Europe B.V.  
Beemdstraat 11  
5653 MA Eindhoven  
The Netherlands

## The Parts of TVee

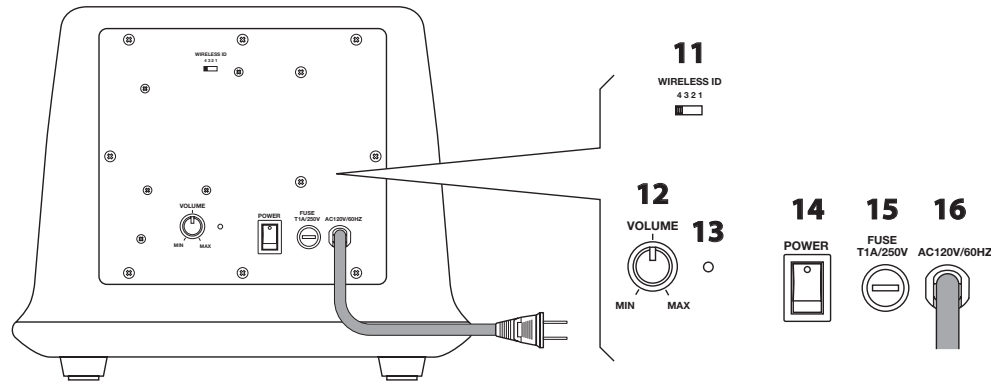


- 1** Status Indicator – Lights in various colors to indicate operating status. See the table below.
- 2** Power Button – Lets you manually activate TVee or put it in standby mode.
- 3** Mute Button – Lets you temporarily mute TVee.
- 4** Volume Up and Down Buttons – Let you manually adjust the volume of the TVee.
- 5** Wireless ID Switch – Selects the “channel” for the wireless Bass Unit signal. Set **11** in the same position.
- 6** Trim Level Switch – Adjusts the input sensitivity of TVee.
- 7** Inputs – Receives the input signal for the TVee. See the “Connect TVee” section for more information.
- 8** Power Input – Connect the power supply **10** here.
- 9** Power On/Off Switch – Turns the TVee soundbar on or off. Normally it is left on all the time.
- 10** Power Supply – Provides power to the soundbar. Plug it into the wall and connect it to the power input **8**.



## Soundbar Status Indicator

<b>Green Steady</b>	Normal power-on mode.
<b>Green Blinks Once</b>	Shows a remote control signal is being received.
<b>Orange Flashing</b>	TVee is ready to learn a remote control command.
<b>Orange Steady</b>	The control button that’s learning a control command is selected; TVee waiting for an IR command to learn.
<b>Flashing Green</b>	TVee has successfully learned a remote control command.
<b>Flashing Red</b>	TVee has failed to learn a remote control command.
<b>Flashing Red and Orange</b>	Indicates learned IR codes successfully erased.



- 11** Wireless ID Switch – Selects the “channel” for the wireless bass unit signal. Set in the same position as **5**.
- 12** Volume – Adjusts the volume of the bass unit to balance with the soundbar.
- 13** Status Indicator – Lights red when the bass unit is active and green when it is in standby mode.
- 14** Power On/Off Switch – Turns the TVee bass unit on or off. Normally it is left on all the time.
- 15** Power Fuse – Protects the bass unit.
- 16** Power Cord – Plug it into an AC outlet.

## Specifications

<b>System Power</b>	100 watts	
<b>Dimensions</b> (H x W x D)	Soundbar	3¾ x 31 x 4" (93 x 788 x 102mm)
	Bass Unit	9⅞ x 11½ x 11½" (240 x 292 x 292)
<b>Weight</b>	Soundbar	8.4 lbs (3.9kg)
	Bass Unit	11 lbs (5kg)

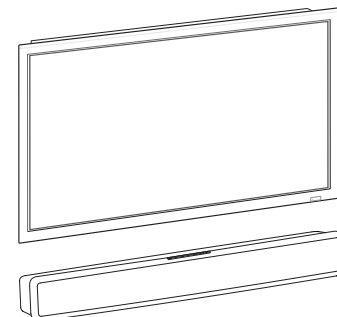
## About TVee

Congratulations on selecting TVee for your home entertainment system. TVee combines the famous Boston sound with unprecedented ease of use. From two compact components, TVee delivers sound that will add an entirely new dimension to your television entertainment experience. Powerful amplifiers and 3D sound processing circuitry ensure exciting performance. Wireless connection between the soundbar and bass unit makes TVee easy to setup—the ideal combination of performance and convenience. If necessary, TVee can even learn the control signals from your remote control for maximum ease of use and totally transparent operation.

## Placing TVee

You're probably anxious to start using your TVee so let's get started. First you should position the TVee components. The soundbar should place so it is centered with the TV screen. It can be front of the television. Or if your television is housed in furniture that has a shelf right above the screen the soundbar can go there. But avoid places that are semi-enclosed. That can upset the natural sound balance of TVee. There are keyholes in the back of the soundbar cabinet to facilitate hanging it on a wall.

The bass unit is easy. It can go just about anywhere in the room. Since it gets its signal wirelessly you don't need to worry about connections. Just plug it into an AC outlet. Corner placement can help reinforce bass output.

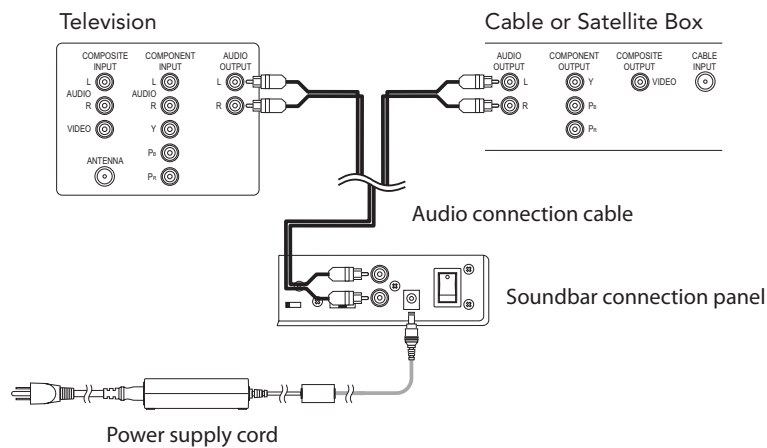


## Connect TVee

Next you need to get an input signal into the TVee soundbar. All it takes is the audio connection cable that is supplied. There are two likely sources for a signal—your television or a cable television connection box. (The control box for a satellite system is for this purpose the same as a cable box. For simplicity we'll call it a cable box, but it could be either one.)

The main advantage of getting the signal from the cable box is that it is easier to set up. But if you have multiple signal sources, such as a DVD player, in addition to the cable signal you might need to get the signal from the TV so you can enjoy the TVee sound with all of your media.

The bass unit receives a wireless audio signal from the soundbar—you just need to plug it into your AC outlet.



## Fire Up TVee!

Now the fun starts. Connect the power supply to the soundbar, turn on its power switch and the one on the bass unit. Turn on the other components in your system and tune in a familiar channel. You should hear sound from TVee. If you don't, try turning up the volume of TVee using its volume control buttons.

If TVee is connected to the television try adjusting the volume using the television remote control. If the volume level changes it shows that TVee is connected to a "variable" output. The mute control of the television remote should also work. That makes things easy. You can ignore the "Control TVee" section on the following page.

If the TVee is connected to the television it is likely that the television speakers are also playing. Most modern televisions have a way of turning off the internal speakers. There are hundreds of models of televisions from dozens of manufacturers so it is impossible to give specific instructions on how to do that. But most use a similar procedure.

Look on the remote control for your television for a "menu" or "setup" button. Press it and you'll see an on-screen menu. Look for an option to control audio functions and select it. This is where you'll probably find the setting to turn off the internal speakers.

If you cannot turn off the internal speakers it is not a problem. TVee will tremendously enhance the sound of the television speakers with extended response and improved definition. However, to get the most from TVee you'll want it to be louder than the television. Use the following steps to adjust the volume balance:

- 1 Teach TVee to respond to the volume up and down control commands of your television remote. (See the "Control TVee" section for information on how to do that.)
- 2 Turn down the volume of the television all the way using the control buttons on the set.
- 3 Use the volume control buttons on soundbar to set the volume of TVee to a normal listening level.



After this adjustment TVee should always be louder than the television speaker. Then you can use the television remote control to adjust the volume as you normally do.

## Fine Tune TVee

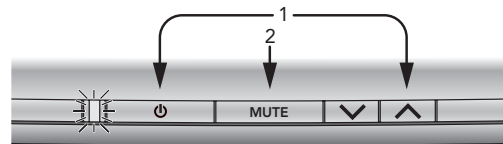
Now that things are up and running, it's time to adjust the bass unit to blend with the soundbar speakers so the system produces the balanced, natural Boston sound. Start with the bass unit volume control at the middle of its rotation range. Play a variety of source material—some music, a movie sound track with dynamic special effects, some spoken dialog. Adjust the volume up and down a bit from the starting point until you have a setting that produces a natural sound with all the various types of program material.

## Control TVee

If you have TVee connected to a television, cable, or satellite box and changing the volume with your system remote does not change the volume of the TVee system, then the output TVee is connected to is a "constant level" output. With a constant level output you will want to program TVee to respond to the remote control codes of your television remote, or any other remote control you want to use. The goal is to be able to use one remote control. Here's how to do it.

Say you want TVee to learn the "mute" command of your remote control.

- 1 Press and hold the Power and ^ "Volume Up" buttons until the status indicator flashes orange.
- 2 Press the button you want to program to respond to your remote control—in this example the mute button.
- 3 Point your remote control at the front of the TVee soundbar from about 12 inches away. Press and hold the mute button for a full second then release the button for a full second. Repeat the press and release sequence until the status indicator turns green. **TIP:** Hold the remote steady and press/release the button slowly to be sure TVee can pick up the remote signal.



If TVee is not able to pick up the remote control signal within 20 seconds the status indicator will flash red for 20 more seconds and then return to green. Repeat steps 1 - 3, being careful to hold the remote steady and press the button slowly. Repeat the process for the other buttons on your remote control that you want TVee to learn.

**Remember** – TVee can learn to respond to almost any button on almost any remote. You decide what remote you want to use – television, satellite receiver, cable control box, etc. – and teach TVee to respond to the buttons you want to use.

If you make a mistake, or want to remove the remote control programming of TVee for any reason, press and hold the Mute and Volume Down buttons until the status indicator alternately flashes red and orange for 3 seconds. **NOTE:** This removes **ALL** of the TVee remote control programming. If you only need to change the programming for some of the TVee buttons, follow the three steps above to overwrite previous programming.

## Details About TVee

In most systems after you do any needed remote control programming you can just sit back and enjoy the sound. But you might find the following details useful or interesting.

**Power** – The power switches on the back of the soundbar and bass unit can be left on. TVee has an automatic power standby system. After about 15 minutes of inactivity the amplifiers shut down. As soon as a signal is applied to the inputs of TVee the amplifiers automatically turn on again.

**Wireless ID Switches** – Both the soundbar and bass unit have Wireless ID switches. The various switch settings change frequency of the wireless signal the soundbar sends to the bass unit. The two switches must be set to the same position.





Typically you'll never need to adjust these switches. What are they for? If you have more than one TVee system in your house you can use different Wireless ID Switch settings so the systems won't interfere with each other.

**Trim Level Switch** – This changes the input sensitivity of TVee. If the output of your television is too low, you may need to change the trim level switch to "1" to make it louder. Conversely, if you hear distortion in the audio signal, try the "3" setting to make the input quieter.

## Troubleshooting TVee

### Soundbar does not power on.

- Is the power supply plugged into a live wall outlet?
- Is the power supply properly connected to the soundbar power input?
- Is the rear panel power switch in the "on" position?

### Bass unit does not power on.

- Is the bass unit plugged into a live wall outlet?
- Is the rear panel power switch in the "on" position?
- Is the fuse blown? Replace it with the same type. If it quickly blows again the unit may need service.

### No sound from TVee.

- Is the signal input connected to an output that is providing a signal?
- Are the soundbar and bass unit receiving power and turned on?
- Turn up the volume of the TVee soundbar.
- Turn up the volume of the television or cable box TVee is connected to.
- Check Mute status – is the status indicator blinking green? Press the Mute button on the soundbar.

### No Sound from the Bass Unit.

- Check the points in the "Bass unit does not power on." section above.
- Turn up the volume control.
- Be sure the Wireless ID switches on the soundbar and bass unit are set to the same number.

### Distorted sound from the Soundbar.

- Change the Trim Level switch setting to higher number.
- Check the signal source to be sure the distortion is not originating there.

### Bass not loud enough.

- Turn up the bass unit Volume control.
- Place the bass unit closer to a corner of the room.

### TVee won't learn my remote control commands.

- Carefully follow the programming instructions.
- Hold the remote steady and 12 inches from the front of the soundbar.
- Press and release the remote control button **s l o w l y**!
- Note: TVee learns almost all IR commands, but some IR protocols cannot be programmed.

### There is a "pop" noise when I turn of my television.

- Program TVee to be turned on and off with the power button on your television remote control.

### Volume of my television speakers gets louder than my TVee system over time.

- When the remote control volume button is held down your television may change volume levels faster than TVee.
- Use the buttons on the soundbar to adjust the volume of the TVee to the correct balance with the television speakers.

### The woofer seems to have interference with its wireless signal.

- Try changing settings of the Wireless ID switches on both the soundbar and bass unit.
- The bass unit could be too far from the soundbar to get a good signal. Try moving it closer.







## Limited Warranty

Boston Acoustics warrants to the original purchaser of our TVee system that it will be free of defects in materials and workmanship in its mechanical parts for a period of 5 years from the date of purchase. The warranty period for the electrical components of TVee is 1 year.

Your responsibilities are to install and use them according to the instructions supplied, to provide safe and secure transportation to an authorized Boston Acoustics service representative, and to present proof of purchase in the form of your sales slip when requesting service.

Excluded from this warranty is damage that results from abuse, misuse, improper installation, accidents, shipping, or repairs/modifications by anyone other than an authorized Boston Acoustics service representative.

This warranty is limited to the Boston Acoustics product and does not cover damage to any associated equipment. This warranty does not cover the cost of removal or reinstallation. This warranty is void if the serial number has been removed or defaced. This warranty gives you specific legal rights, and you may also have other rights which vary from state to state.

## If Service Seems Necessary

First, contact the dealer from whom you purchased the product. If that is not possible, write to:

Boston Acoustics, Inc.  
300 Jubilee Drive  
Peabody, MA 01960 USA

Or contact us via e-mail at:  
[support@bostona.com](mailto:support@bostona.com)

We will promptly advise you of what action to take. If it is necessary to return your TVee to the factory, please ship it prepaid. After it has been repaired, we will return it freight prepaid in the United States and Canada.



This symbol found on the product indicates that the product must not be disposed of with household waste. Instead, it may be placed in a separate collection facility for electronic waste or returned to a retailer when purchasing similar product. The producer paid to recycle this product. Doing this contributes to reuse and recycling, minimizes adverse effects on the environment and human health and avoids any fines for incorrect disposal.



**INSTRUCCIONES DE SEGURIDAD IMPORTANTES**



Este símbolo que aparece en el aparato indica los riesgos derivados de voltajes peligrosos.



Este símbolo que aparece en el aparato indica que el usuario debe leer todas las declaraciones de seguridad que aparecen en el manual del usuario.



Este símbolo que aparece en el aparato indica la presencia de un doble aislamiento.



**¡Advertencia!**  
Para reducir el riesgo de incendio o de descarga eléctrica, no exponga este aparato a la lluvia o a la humedad.

1. Lea estas instrucciones.
2. Conserve estas instrucciones.
3. Haga caso de todas las advertencias.
4. Siga todas las instrucciones.
5. No utilice este aparato cerca del agua.
6. Límpielo sólo con un trapo seco.
7. No tapone ninguna apertura de ventilación. Instálelo de acuerdo con las instrucciones del fabricante.
8. No lo instale cerca de ninguna fuente de calor, tales como radiadores, rejillas de calefacción, estufas u otros aparatos (incluidos amplificadores) que produzcan calor.
9. No anule el propósito de seguridad del enchufe polarizado o del tipo puesta a tierra. Un enchufe polarizado tiene dos púas con una de ellas más ancha que la otra. Un enchufe del tipo puesta a tierra tiene dos púas y una tercera púa de puesta a tierra. La púa ancha o la tercera púa se proporciona para su seguridad. Si el enchufe que se suministra no encaja en su toma de pared, consulte con un electricista para que sustituya la toma de pared obsoleta.
10. Proteja el cable de alimentación para evitar que sea pisado o quede pinzado, en particular en los enchufes, las tomas de corriente, y en el punto en el cual sale del aparato.
11. Utilice sólo las conexiones/accesorios especificados por el fabricante.
12. Desenchufe este aparato durante las tormentas eléctricas o cuando no vaya a utilizarse durante largos periodos de tiempo.
13. Remita todo el servicio al personal de servicio cualificado. Se requiere servicio cuando el aparato ha sido dañado de algún modo, por ejemplo si el cable de alimentación o el enchufe están dañados, si se ha vertido líquido o han caído objetos dentro del aparato, si el aparato se ha expuesto a la lluvia o a la humedad, si no funciona normalmente, o se ha caído.
14. Mantenga una distancia mínima de 2" (50 mm) alrededor de la parte delantera, trasera y de los laterales del aparato para tener una ventilación suficiente. La ventilación no debe quedar obstruida mediante la cobertura de las aperturas de ventilación o la colocación sobre o alrededor del aparato de elementos tales como periódicos, tapetes, cortinas, etc.
15. No deben colocarse en el aparato fuentes de llamas desnudas, tales como velas encendidas.
16. No debe exponerse el aparato al goteo o a salpicaduras.
17. Tanto el conector de entrada de energía de la parte trasera del aparato como el enchufe de pared deben ser accesibles, para poder desconectar la energía del aparato.
18. Para desconectar completamente este aparato de la red de CA, desconecte el enchufe del cable de alimentación de la toma de CA.



Usuarios americanos:

**Nota:** Este equipo ha sido probado y ha demostrado para cumplir los límites de un dispositivo digital de Clase B, según el apartado 15 de las Normas FCC. Estos límites están diseñados para proporcionar una protección razonable contra interferencias nocivas en una instalación residencial. Este equipo genera, utiliza y puede irradiar energía de radio frecuencia y, si no se instala y utiliza de acuerdo con las instrucciones, puede causar interferencias nocivas a las radiocomunicaciones. Sin embargo, no hay garantía de que no se produzcan interferencias en una instalación en particular. Si este equipo causa interferencias nocivas a la recepción de radio o televisión, lo que puede determinarse apagando y encendiendo el equipo, se aconseja que el usuario trate de corregir la interferencia mediante una o más de las siguientes medidas:

- Reorientación o recolocación de la antena receptora.
- Aumento de la separación entre el equipo y el receptor.
- Conexión del equipo en una toma de un circuito diferente al cual está conectado el receptor.
- Consulta con el distribuidor o un técnico de radio/TV experimentado para obtener ayuda.

Precaución: Los cambios o modificaciones no autorizados en el receptor pueden anular la capacidad de los usuarios para hacer funcionar el equipo.



Usuarios Europeos:

RLAN - Radio Local Area Network Equipment

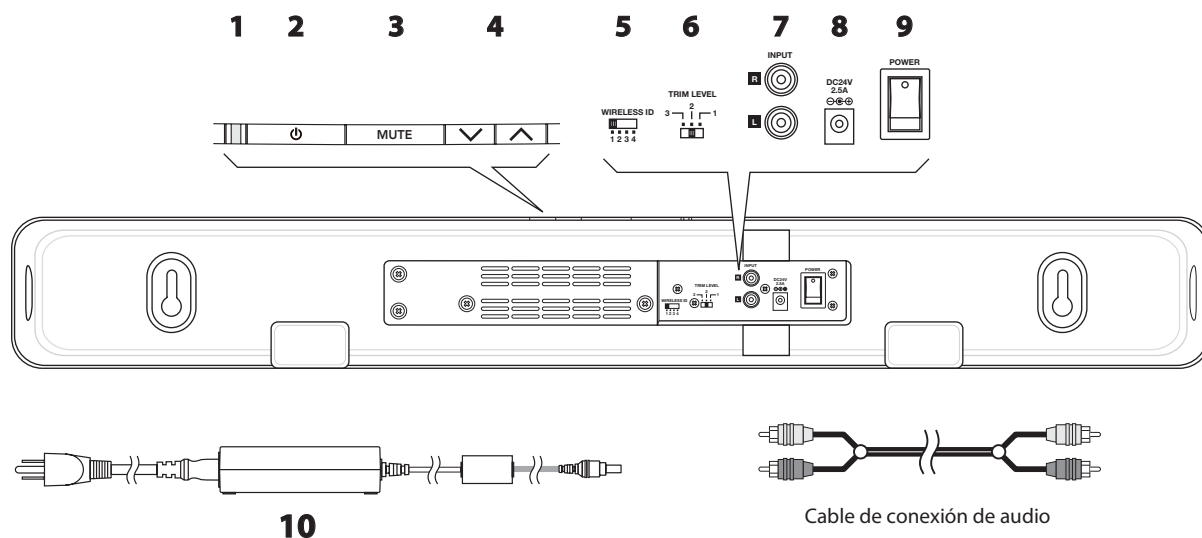
AT	CZ	FI	IS	LT	PT	SE	FR
BE	DK	DE	IE	MT	SK	CH	IT
EE	GR	LV	NL	SI	TR	LU	CY
HU	PL	ES	GB	NO			

Este equipo sólo puede utilizarse en interiores en FR.  
Este equipo sólo puede utilizarse en instalaciones propias en IT.  
Este equipo es sólo de uso privado en LU.  
No se permite un funcionamiento dentro de un radio de 20 km desde el centro de Ny-Ålesund en NO.

Por la presente, Boston Acoustics, Inc. 300 Jubilee Drive, Peabody, MA 01960 USA, declara que este TVee Model 2 cumple los requisitos esenciales y otras disposiciones relevantes de la Directiva 1999/5/EC. Puede obtenerse una copia de la Declaración de Conformidad (DOC) de:

Oliver Kriete  
Boston Acoustics,  
División de D&M Europe B.V.  
Beemdstraat 11  
5653 MA Eindhoven  
Países Bajos

## Las Partes del TVee

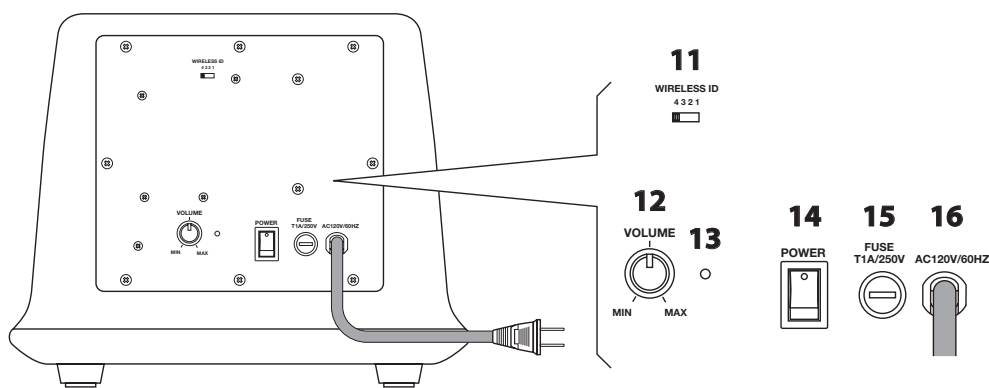


- 1** Indicador de estado – Luces de varios colores para indicar el estado de funcionamiento. Vea la tabla siguiente.
- 2** Botón de energía – Le permite activar manualmente el TVee o ponerlo en modo en espera.
- 3** Botón de silencio – Le permite silenciar temporalmente el TVee.
- 4** Botones de aumento y disminución del sonido – Le permite ajustar manualmente el volumen del TVee.
- 5** Interruptor ID sin cable – Selecciona el “canal” para la señal de la Bass Unit sin cable. Ajustar **11** en la misma posición.
- 6** Interruptor del nivel de ajuste – Ajusta la sensibilidad de entrada del TVee.
- 7** Entradas – Reciben la señal de entrada del TVee. Vea la sección “Conectar el TVee” para más información.
- 8** Entrada de potencia – Conecte la alimentación **10** aquí.
- 9** Interruptor de Encendido/Apagado – Enciende o apaga la soundbar del TVee. Normalmente se deja encendido en todo momento.
- 10** Alimentación – Proporciona la alimentación a la soundbar. Enchúfela a la pared y conéctela a la entrada de alimentación **8**.



## Indicador de Estado de la soundbar

<b>Verde fijo</b>	Modo de funcionamiento normal..
<b>El verde parpadea una vez</b>	Indica que se está recibiendo una señal del mando a distancia.
<b>Naranja destellante</b>	El TVee está preparado para memorizar un comando del mando a distancia.
<b>Naranja fijo</b>	El botón de control que está memorizando un comando de control está seleccionado; TVee está esperando un comando de IR para memorizar.
<b>Verde destallante</b>	El TVee ha memorizado con éxito un comando del mando a distancia.
<b>Rojo destallante</b>	El TVee no ha conseguido memorizar un comando del mando a distancia.
<b>Rojo y Naranja destallantes</b>	Indica códigos de IR memorizados que se han borrado con éxito.



- 11** Interruptor ID sin cable – Seleccione el “canal” para la señal sin cable de la bass unit. Ajústelo en la misma posición que 5.
- 12** Volumen – Ajuste el volumen de la Bass Unit para equilibrarla con la soundbar.
- 13** Indicador de estado – Se enciende en rojo cuando la bass unit está activa y en verde cuando está en modo en espera.
- 14** Interruptor de Encendido/Apagado – Enciende o apaga la bass unit del TVee. Normalmente se deja encendido en todo momento.
- 15** Fusible de potencia – Protege la bass unit.
- 16** Cable de Alimentación – Enchúfelo en una toma de CA.

## Especificaciones

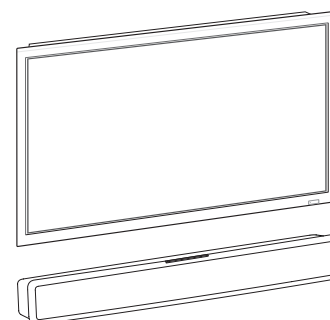
<b>Potencia del Sistema</b>	100 vatios	
<b>Dimensiones</b> (H x W x D)	Soundbar	3¾ x 31 x 4" (93 x 788 x 102mm)
	Bass Unit	9¾ x 11½ x 11½" (240 x 292 x 292)
<b>Peso</b>	Soundbar	8.4 lbs (3.9kg)
	Bass Unit	11 lbs (5kg)

## Sobre el TVee

Le felicitamos por la elección del TVee para su sistema de entretenimiento doméstico. El TVee combina el conocido sonido Boston con una facilidad de utilización sin precedente. A partir de dos componentes compactos, el TVee proporciona un sonido que aportará una dimensión totalmente nueva a su experiencia de entretenimiento televisivo. Amplificadores potentes y circuitos de procesamiento de sonido D aseguran unas excelentes prestaciones. La conexión sin cable entre la soundbar y la bass unit hace que el TVee sea fácil de configurar — la combinación ideal de prestaciones y comodidad. Si es necesario, el TVee puede incluso memorizar las señales de control de su mando a distancia para una máxima facilidad de utilización y un funcionamiento totalmente transparente.

## Colocación del TVee

Seguramente está deseando comenzar a utilizar su TVee, de modo que empecemos. Primero debe colocar los componentes del TVee. La soundbar debe colocarse de forma que esté centrada con la pantalla de TV. Puede estar frente a la televisión. O si su televisión está alojada en un mueble que tiene un estante justo encima de la pantalla puede colocar la soundbar aquí. Pero evite ubicaciones que estén semi-cerradas. Esto podría perturbar el equilibrio natural del sonido del TVee. Hay bocallaves en la parte trasera de la caja de la soundbar para ayudar a colgarla en una pared. Es fácil situar la bass unit. Puede colocarse en cualquier lugar de la sala. Como recibe la señal sin cable, no necesita preocuparse de las conexiones. Simplemente enchúfela en una toma de CA. La colocación en una esquina puede ayudar a reforzar la salida de graves.

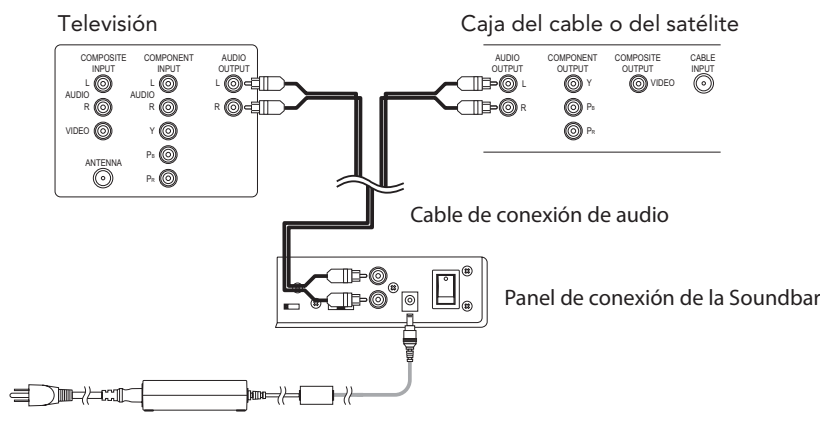


## Conexión del TVee

Después necesita obtener una señal de entrada en la soundbar del TVee. Todo lo que se necesita es el cable de conexión de audio que se suministra. Hay dos fuentes probables para una señal — su televisión o una caja de conexión de televisión por cable. (La caja de control para un sistema por satélite sirve de igual forma para este propósito que una caja de cable. Para simplificar la llamaremos caja de cable, pero puede ser cualquiera de ellas.)

La ventaja principal de obtener la señal de la caja de cable es que es más fácil de configurar. Pero si tiene varias fuentes de señal, tales como un reproductor de DVD, además de la señal de cable puede necesitar obtener la señal de la TV de forma que pueda disfrutar del sonido del TVee con todos sus medios de reproducción.

La bass unit recibe una señal de audio sin cable de la soundbar — sólo debe conectarla a su toma de CA.



## ¡Encienda el TVee!

Ahora comienza la diversión. Conecte la alimentación de la soundbar, conecte su interruptor de energía y el de la bass unit. Encienda los otros componentes de su sistema y sintonice un canal habitual. Debería oír el sonido desde el TVee. Si no es así, trate de aumentar el volumen del TVee utilizando los botones del Control de Volumen.

Si la TVee está conectada a la televisión ajuste el volumen utilizando el mando a distancia de la televisión. Si el nivel de volumen cambia, demuestra que el TVee está conectado a una salida "variable". El control de 'silencio' de la televisión también debería funcionar. Esto hace las cosas más fáciles. Puede ignorar la sección "Control del TVee" en la página siguiente.

Si el TVee está conectado a la televisión es probable que también estén funcionando los altavoces de la televisión. La mayoría de las televisiones modernas tienen un sistema para apagar los altavoces internos. Existen centenares de modelos de televisiones de docenas de fabricantes, de forma que es imposible proporcionar instrucciones específicas sobre cómo hacerlo. Pero la mayoría utiliza un procedimiento similar.

Busque en el mando a distancia de su televisión un botón "menu" o "setup". Púlselo y verá un menú en pantalla. Busque una opción que controle funciones de audio y selecciónela. Aquí es donde encontrará probablemente el ajuste para apagar los altavoces internos.

Si no puede apagar los altavoces internos no es un problema. El TVee mejorará enormemente el sonido de los altavoces de la televisión con una respuesta ampliada y una definición mejorada. Sin embargo, para obtener lo mejor del TVee debe hacer que esté más fuerte que la televisión. Utilice los siguientes pasos para ajustar el equilibrio del volumen:

- 1 Enseñe al TVee a responder a los comandos de aumento y disminución del volumen del mando a distancia de su televisión. (Vea la sección "Control del TVee" para la información al respecto).
- 2 Disminuya al mínimo el volumen de la televisión utilizando los botones de control en el equipo.
- 3 Utilice los botones de control del volumen en la soundbar para ajustar el volumen del TVee a un nivel de escucha normal.



Después de este ajuste el TVee debe estar siempre más fuerte que los altavoces de la televisión. Después puede utilizar el mando a distancia de la televisión para ajustar el volumen como lo hace normalmente.


## Sintonización fina del TVee

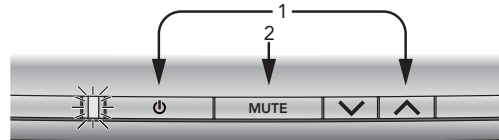
Ahora que estos elementos están conectados y funcionando, es el momento de ajustar la bass unit para mezclarla con los altavoces de la soundbar de forma que el sistema produzca el sonido natural y equilibrado Boston. Empiece con el control de volumen de la bass unit en la mitad de su rango de giro. Reproduzca varios materiales fuente — algo de música, una banda sonora de película con efectos especiales dinámicos, algo de diálogo. Ajuste el volumen arriba y abajo un poco desde el punto de salida hasta que tenga un ajuste que produzca un sonido natural con los diversos tipos de material del programa.

## Control del TVee

Si el TVee está conectado a una televisión, a una caja de cable o satélite y al cambiar el volumen con el mando a distancia no cambia el volumen del sistema del TVee, la salida del TVee está conectada a una salida de "nivel constante". Con una salida de nivel constante deberá buscar programar el TVee para responder a los códigos del mando a distancia de su mando de televisión, o de cualquier otro mando a distancia que quiera utilizar. El objetivo es poder utilizar un mando a distancia. Debe hacerse de este modo:

Digamos que quiere que el TVee memorice el comando "silencio" de su mando a distancia.

- 1 Pulse y mantenga pulsados los botones de Encendido y  "Subir Volumen" hasta que el indicador de estado destelle en naranja.
- 2 Pulse el botón que quiere programar para responder a su mando a distancia — en este ejemplo el botón 'silencio'.
- 3 Dirija su mando a distancia a la parte delantera de la soundbar del TVee desde una distancia de unas 12 pulgadas (30 cm). Pulse y mantenga pulsado el botón de 'silencio' durante un segundo y después suelte el botón durante un segundo. Repita las secuencias de presión y liberación hasta que el indicador de estado se vuelva verde. **CONSEJO:** Sujete el mando firmemente y pulse/suelte lentamente el botón para asegurarse de que el TVee pueda captar la señal remota.



Si el TVee no puede captar la señal del mando a distancia en 20 segundos el indicador destellará en rojo durante 20 segundos más y después volverá al verde. Repita los pasos 1 - 3, teniendo cuidado de sujetar el mando firmemente y pulse el botón lentamente. Repita el proceso para los otros botones del mando a distancia que quiera que memorice el TVee.

**Recuerde** – El TVee puede memorizar a responder a casi cualquier botón de casi cualquier mando. Decida que mando quiere utilizar – televisión, receptor de satélite, caja de control del cable, etc. – y enseñe al TVee a responder a los botones que quiere utilizar.

Si se equivoca, o quiere eliminar la programación del mando a distancia del TVee por algún motivo, pulse y mantenga pulsados los botones Silencio y Disminuir Volumen hasta que el indicador de estado destelle alternativamente en rojo y en naranja durante unos segundos. **NOTA:** Esto elimina **TODA** la programación del mando a distancia del TVee. Si sólo necesita cambiar la programación de algunos de los botones del TVee, siga los tres pasos anteriores para sobrescribir la programación anterior.

## Detalles sobre el TVee

En la mayoría de sistemas después de realizar cualquier programación del mando a distancia necesaria, sólo debe sentarse y disfrutar del sonido. Pero los siguientes detalles le pueden parecer útiles o interesantes.

**Energía** – Los interruptores de energía de la parte trasera de la soundbar y de la bass unit pueden dejarse activos. El TVee tiene un sistema automático de potencia en espera. Después de 15 minutos de inactividad los amplificadores se apagan. En cuanto se aplica una señal a las entradas del TVee los amplificadores se conectan de nuevo automáticamente.

**Interruptores ID sin cable** – Tanto la Soundbar como la bass unit tienen interruptores ID sin cable. Los diversos ajustes de interruptor cambian la frecuencia de la señal sin cable que la Soundbar envía a la bass unit. Los dos interruptores deben estar ajustados en la misma posición.





Normalmente no necesitará ajustar nunca estos interruptores. ¿Para qué sirven? Si tiene más de un sistema TVee en su casa puede utilizar ajustes diferentes del interruptor ID sin cable de forma que los sistemas no interfieran entre ellos.

**Interruptor del nivel de ajuste** – Cambia la sensibilidad de entrada del TVee. Si la salida de su televisión es demasiado baja, puede tener que cambiar el interruptor de nivel de ajuste a “1” para que sea más fuerte. A la inversa, si escucha distorsión en la señal de audio, intente el ajuste “3” para hacer la entrada más suave.

## Localización y Solución de Problemas del TVee

### La Soundbar no se enciende.

- ¿Está enchufada la alimentación a una toma de corriente activa?
- ¿Está la alimentación adecuadamente conectada a la entrada de potencia de la soundbar?
- ¿El interruptor de potencia del panel trasero está en la posición “on”?

### La Bass Unit no se enciende.

- ¿Está enchufada la bass unit a una toma de corriente activa?
- ¿El interruptor de potencia del panel trasero está en la posición “on”?
- ¿Está fundido el fusible? Sustitúyalo con uno del mismo tipo. Si se funde de nuevo rápidamente la unidad puede necesitar servicio.

### No hay sonido desde el TVee.

- ¿Está la entrada de señal conectada a una salida que esté proporcionando una señal?
- ¿Están recibiendo energía y están encendidas la soundbar y la bass unit?
- Aumente el volumen de la soundbar del TVee.
- Aumente el volumen de la televisión de la caja de cable a la cual está conectado el TVee.
- Compruebe el estado de Silencio – ¿está parpadeando el indicador de estado en verde? Pulse el botón de Silencio en la soundbar.

### No hay sonido desde la Bass Unit.

- Compruebe los puntos de la sección anterior “La bass unit no se enciende.”
- Aumente el control de volumen.
- Asegúrese de que los interruptores de ID sin cable de la Soundbar y de la Bass Unit están ajustados en el mismo número.

### Sonido distorsionado desde la Soundbar.

- Cambie el ajuste del interruptor del nivel de ajuste a un número mayor.
- Compruebe la fuente de señal para asegurarse de que la distorsión no se origina allí.

### Los graves no son suficientemente fuertes.

- Aumente el control de volumen de la Bass Unit.
- Coloque la bass unit más cerca de una esquina de la sala.

### TVee no memoriza los comandos de mi mando a distancia.

- Siga cuidadosamente las instrucciones de programación.
- Sujete el mando firmemente y a 12 pulgadas (30 cm) de la parte delantera de la soundbar.
- ¡Pulse y suelte el botón del mando a distancia lentamente!
- Nota: El TVee memoriza casi todos los comandos IR, pero algunos protocolos IR no pueden programarse.

### Hay un ruido tipo “pop” cuando apago mi televisión.

- Programa que el TVee se encienda y apague con el botón de encendido del mando a distancia de su televisión.

### El volumen de los altavoces de mi televisión es más fuerte que mi sistema TVee en todo momento.

- Cuando el botón de volumen del mando a distancia se mantiene presionado para que disminuya, su televisión puede cambiar los niveles de volumen más rápido que el TVee. Utilice los botones de la soundbar para ajustar el volumen del TVee al equilibrio correcto con los altavoces de la televisión.

### El woofer parece tener interferencias con su señal sin cable.

- Trate de cambiar los ajustes de los interruptores de ID sin cable tanto en la soundbar como en la bass unit.
- La bass unit puede estar demasiado lejos de la soundbar para conseguir una buena señal. Trate de acercarla.





## Garantía Limitada

Boston Acoustics garantiza al comprador original de nuestro sistema TVee que está libre de defectos en materiales y mano de obra en sus piezas mecánicas por un periodo de 5 años a partir de la fecha de compra. El periodo de garantía para los componentes eléctricos del TVee es de 1 año.

Es su responsabilidad instalarlo y utilizarlo de acuerdo con las instrucciones suministradas, proporcionar un transporte seguro hasta un representante de servicio autorizado de Boston Acoustics, y presentar la prueba de compra como la factura de venta cuando sea necesario el servicio.

Quedan excluidos de esta garantía los daños que resulten del abuso, del mal uso, de una instalación inadecuada, de accidentes, del transporte, o de reparaciones/modificaciones por parte de cualquiera que no sea un representante de servicio autorizado de Boston Acoustics.

Esta garantía está limitada al producto de Boston Acoustics y no cubre daños de cualquier equipo asociado. Esta garantía no cubre el coste de la retirada o de la reinstalación. Esta garantía queda anulada si se ha eliminado o borrado el número de serie. Esta garantía le proporciona derechos legales específicos, y puede tener también otros derechos que pueden variar según el país.

## Si parece necesario el servicio

Primero, póngase en contacto con el distribuidor al cual ha comprado el producto. Si esto no es posible, escriba a:

Boston Acoustics, Inc.  
300 Jubilee Drive  
Peabody, MA 01960 USA

O póngase en contacto con nosotros por medio de un e-mail a:  
[support@bostona.com](mailto:support@bostona.com)

Le avisaremos rápidamente sobre cualquier acción a tomar. Si es necesario devolver su TVee a la fábrica, rogamos lo envíe prepagado. Después de la reparación, lo devolveremos con portes pagados en los Estados Unidos y Canadá.



Este símbolo que aparece en el producto indica que éste no debe ser eliminado con la basura doméstica. En vez de esto, debe colocarse en un punto de recogida separada para residuos electrónicos o devuelto a un detallista al comprar un producto similar. El fabricante ha pagado para reciclar este producto. Haciendo esto contribuye a reutilizar y reciclar, minimiza los efectos adversos sobre el medioambiente y la salud humana y evita cualquier multa por una eliminación incorrecta.





## INSTRUCTIONS IMPORTANTES RELATIVES À LA SÉCURITÉ



Ce symbole rencontré sur l'appareil indique les risques résultant des tensions dangereuses.



Ce symbole rencontré sur l'appareil indique que l'utilisateur doit lire toutes les déclarations de sécurité rencontrées dans le guide de l'utilisateur.



Ce symbole rencontré sur l'appareil indique une double-isolation.

**Attention !**

Afin de réduire le risque d'incendie ou de choc électrique, ne pas exposer cet appareil à la pluie ou à l'humidité

1. Veuillez lire ces instructions.
2. Conservez ces instructions.
3. Tenez compte de tous les avertissements.
4. Respectez toutes les instructions.
5. N'utilisez pas cet appareil à proximité d'une source d'eau.
6. Nettoyez l'appareil uniquement à l'aide d'un chiffon sec.
7. Ne bloquez aucun des orifices de ventilation. Procédez à l'installation conformément aux instructions du fabricant.
8. N'installez pas cet appareil près de sources de chaleur telles que radiateurs, bouches d'air chaud, cuisinières, ou d'autres appareils (y compris des amplificateurs) produisant de la chaleur.
9. Ne supprimez pas la fonction de sécurité de la fiche polarisée ou de la fiche avec tige de mise à la masse. Une fiche polarisée comporte deux broches dont l'une est plus large que l'autre. Une fiche avec tige de mise à la masse comporte deux broches et une troisième tige permettant de connecter l'appareil à la masse. La broche large ou la troisième broche est prévue pour votre sécurité. Si la fiche fournie ne s'adapte pas à votre prise électrique, consultez un électricien afin de procéder au remplacement de la prise obsolète.
10. Évitez de marcher sur le cordon électrique ou de le pincer, en particulier au niveau des prises d'alimentation, des socles des prises d'alimentation et du point de sortie du cordon de l'appareil.
11. N'utilisez que des accessoires spécifiés par le fabricant.
12. Débranchez cet appareil durant les orages ou lorsqu'il n'est pas utilisé pendant des périodes prolongées.
13. Utilisez du personnel d'entretien qualifié pour tous les travaux de réparation. Une réparation est requise lorsque l'appareil a été endommagé d'une manière quelconque ; c'est le cas, par exemple, lorsqu'un cordon d'alimentation ou une fiche est endommagé(e), en cas de renversement d'un liquide sur l'appareil ou lorsque des objets sont tombés dans l'appareil par les orifices de ventilation, si l'appareil a été exposé à la pluie ou à l'humidité, s'il ne fonctionne pas correctement ou si vous l'avez fait tomber.
14. Maintenez une distance minimale de 50mm à l'avant, à l'arrière et sur les côtés de l'appareil afin de permettre une ventilation suffisante. Il convient de ne pas restreindre la ventilation en couvrant les orifices d'aération ou en plaçant sur ou autour de l'appareil des objets tels que des journaux, des nappes, des rideaux, etc.
15. Ne placez aucune source de flammes, comme des bougies allumées, sur l'appareil.
16. L'appareil ne doit pas être exposé à des risques d'éclaboussure ou de renversement de liquide. Ne posez dessus aucun objet rempli de liquide, tel que des vases.
17. Le connecteur d'alimentation à l'arrière de l'appareil ou la prise d'alimentation murale doit rester accessible, de manière à pouvoir débrancher l'appareil.
18. Pour débrancher complètement cet appareil du secteur, déconnectez la fiche du cordon d'alimentation du socle de la prise de courant.



Utilisateurs américains :

**Remarque :** Cet équipement a été testé et a été trouvé conforme aux limites pour un dispositif numérique de Classe B, en vertu de la partie 15 des Règles de la FCC. Ces limites sont conçues pour procurer une protection raisonnable contre les interférences négatives dans une installation résidentielle. Cet équipement génère, utilise et peut irradier de l'énergie de radiofréquence et, s'il n'est pas installé et utilisé en respectant les instructions, peut provoquer des interférences négatives pour les communications radio. Toutefois, nous ne pouvons pas garantir qu'il ne se produira pas d'interférences dans une installation particulière. Si cet équipement provoque effectivement des interférences négatives pour la réception radio ou télé, ce qui peut être déterminé en éteignant puis en rallumant l'équipement, nous conseillons à l'utilisateur d'essayer de corriger cette interférence en appliquant une ou plusieurs des mesures suivantes :

- Réorienter ou repositionner l'antenne de réception.
- Augmenter la distance séparant l'équipement et le récepteur.
- Connecter l'équipement dans une prise appartenant à un circuit différent de celui auquel le récepteur est raccordé.
- Consulter le revendeur ou un technicien radio/télé compétent pour assistance.

**Attention :** Les changements ou modifications non autorisés apportés au équipement pourraient avoir pour conséquence d'annuler l'autorité des utilisateurs à faire fonctionner cet équipement.



Utilisateurs canadiens :

L'utilisation de ce dispositif est autorisée seulement aux deux conditions suivantes : (1) il ne doit pas produire de brouillage et (2) ce dispositif doit être prêt à accepter tout brouillage radioélectrique reçu, même si ce brouillage est susceptible de compromettre le fonctionnement du dispositif.



Utilisateurs européens :

RLAN - Radio Local Area Network Equipment –  
Équipement utilisant le réseau local hertzien

AT	CZ	FI	IS	LT	PT	SE	FR
BE	DK	DE	IE	MT	SK	CH	IT
EE	GR	LV	NL	SI	TR	LU	CY
HU	PL	ES	GB	NO			

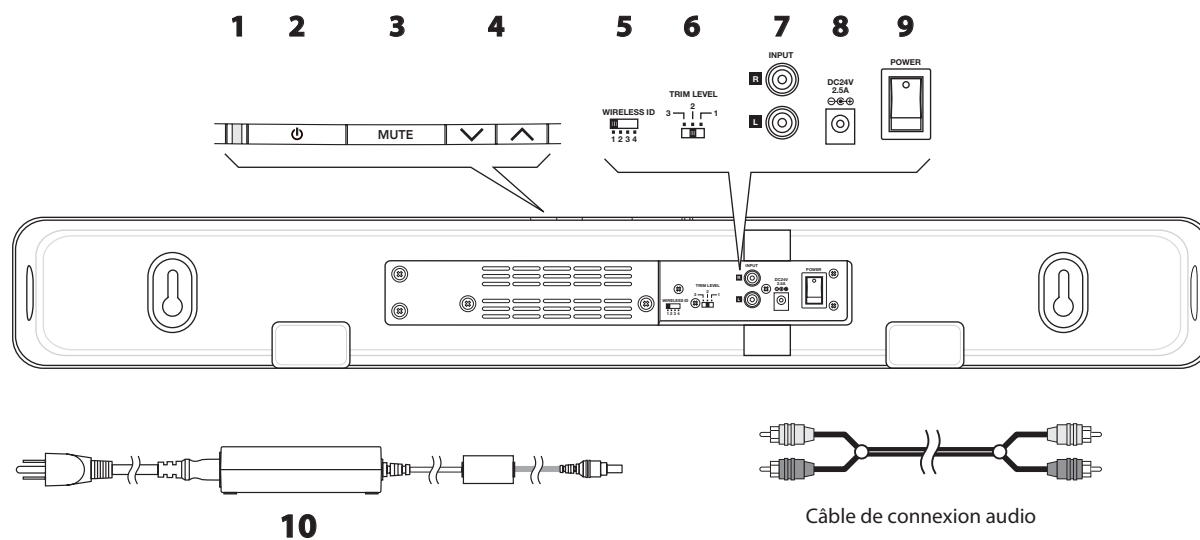
Cet équipement peut uniquement être utilisé à l'intérieur en FR. Cet équipement ne peut être utilisé qu'au domicile particulier en IT. Cet équipement est réservé exclusivement à une utilisation privée en LU.

L'utilisation de cet équipement n'est pas autorisée dans un rayon de 20 km du centre de Ny-Ålesund en NO.

Par la présente, Boston Acoustics, Inc. 300 Jubilee Drive, Peabody, MA 01960 États-Unis, déclare que ce TVEE Model 2 est conforme aux exigences essentielles et autres provisions pertinentes de la Directive 1999/5/EC. Une copie de la Déclaration de conformité (DOC) peut être obtenue auprès de :

Oliver Kriete  
Boston Acoustics, Division of D&M Europe B.V.  
Beemdstraat 11  
5653 MA Eindhoven  
Pays-Bas

## Les composants du système Tvee

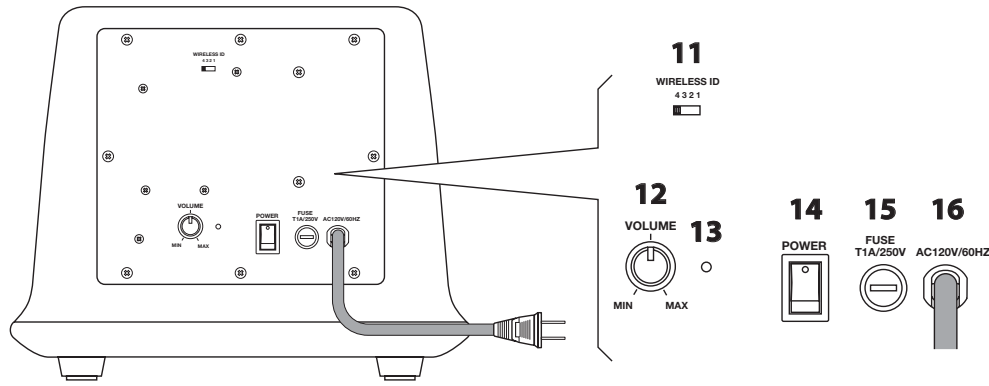


- 1** Voyant de fonctionnement – S’illumine en différentes couleurs pour indiquer l’état de fonctionnement. Voir le tableau ci-dessous.
- 2** Bouton de mise en marche – Vous permet d’activer manuellement le Tvee ou de le mettre en mode d’attente.
- 3** Bouton silence (mute) – Vous permet de couper momentanément le son du Tvee.
- 4** Boutons de hausse et de baisse du volume – Vous permettent de régler manuellement le volume du Tvee.
- 5** Interrupteur de sélection d’ID sans fil – Sélectionne le « canal » du signal sans fil du Haut-parleur de graves. Réglez **11** sur la même position.
- 6** Interrupteur du niveau de trim – Règle la sensibilité d’entrée du Tvee.
- 7** Entrées – Reçoit le signal d’entrée pour le Tvee. Voir la rubrique « Connecter le Tvee » pour de plus amples informations.
- 8** Entrée d’alimentation – Connectez l’alimentation électrique **10** ici.
- 9** Interrupteur de marche/arrêt – Allume ou éteint le Tvee soundbar. Normalement, il est allumé en permanence.
- 10** Alimentation électrique – Alimente le soundbar en courant électrique. Branchez-le dans la prise murale et connectez-le à l’entrée d’alimentation.



## Voyant de fonctionnement du Soundbar

<b>Vert fixe</b>	Mode marche normal.
<b>Vert clignote une fois</b>	Indique la réception d’un signal de télécommande.
<b>Orange clignotant</b>	Tvee est prêt à apprendre une commande à distance.
<b>Orange fixe</b>	Le bouton de contrôle qui apprend une commande de contrôle est sélectionné ; Tvee attend une commande IR à apprendre.
<b>Vert clignotant</b>	Tvee a appris correctement une commande à distance.
<b>Rouge clignotant</b>	Tvee n’a pas réussi à apprendre une commande à distance.
<b>Rouge et orange clignotant</b>	Indique que les codes IR appris correctement effacés.



- 11** Interrupteur ID sans fil – Sélectionne le « canal » du signal sans fil du Haut-parleur de graves. Réglez sur la même position que **5**.
- 12** Volume – Règle le volume du Haut-parleur de graves pour l'équilibrer avec le soundbar.
- 13** Voyant de fonctionnement – S'illumine en rouge lorsque le Haut-parleur de graves est actif et en vert lorsqu'il est en mode d'attente.
- 14** Interrupteur marche/arrêt – Allume ou éteint le Haut-parleur de graves du Tvee. Normalement, il reste allumé en permanence.
- 15** Fusible – Protège le Haut-parleur de graves.
- 16** Cordon d'alimentation – Branchez-le dans une prise de courant.

## Spécifications

<b>Puissance du système</b>	100 watts	
<b>Dimensions</b> (H x L x P)	Soundbar	3¾ x 31 x 4" (93 x 788 x 102mm)
	Haut-parleur de graves	9⅞ x 11½ x 11½" (240 x 292 x 292)
<b>Poids</b>	Soundbar	8.4 lbs (3.9kg)
	Haut-parleur de graves	11 lbs (5kg)

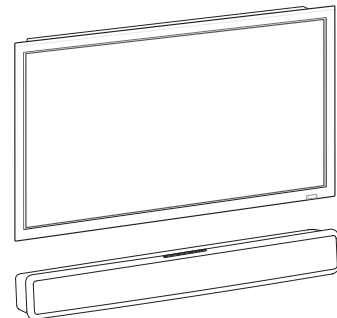
## À propos de Tvee

Vous êtes félicitons d'avoir choisi Tvee pour votre système de divertissement à domicile. Tvee combine le célèbre son Boston à une facilité d'utilisation sans précédent. À partir de deux composants compacts, Tvee délivre un son qui ajoutera une dimension toute nouvelle à votre expérience de divertissement télévisuelle. Des amplificateurs puissants et un circuit de traitement sonore 3D vous garantissent des performances époustouflantes. La connexion sans fil entre le soundbar et le haut-parleur de graves facilite l'installation du Tvee — la combinaison idéale de la performance et de l'aspect pratique. Si nécessaire, Tvee peut même apprendre les signaux de contrôle à partir de votre télécommande pour une convivialité maximale et un fonctionnement entièrement transparent.

## Positionnement du Tvee

Vous êtes probablement impatient de commencer à utiliser votre Tvee, alors, ne tardons plus ! Vous devrez tout d'abord positionner les composants du Tvee. Le soundbar doit être placé de manière à être centré avec l'écran de la télé ; il peut être positionné en face de celle-ci. Ou bien, si votre télévision est encastrée dans un meuble ayant une étagère directement au-dessus de l'écran, le soundbar peut être placé sur cette étagère. Évitez cependant les endroits partiellement fermés. Ces situations peuvent altérer l'équilibre sonore naturel du Tvee. La partie postérieure du boîtier du soundbar comporte des trous permettant de le suspendre au mur.

Le positionnement du haut-parleur de graves ne pose pas de problème ; il suffit de le placer pratiquement n'importe où dans la pièce. Étant donné qu'il reçoit son signal sans utiliser de connexion câblée, vous n'avez pas besoin de vous inquiéter des raccordements. Branchez-le simplement dans une prise de courant murale. Le positionnement dans une encoignure peut aider à renforcer la sortie des graves.

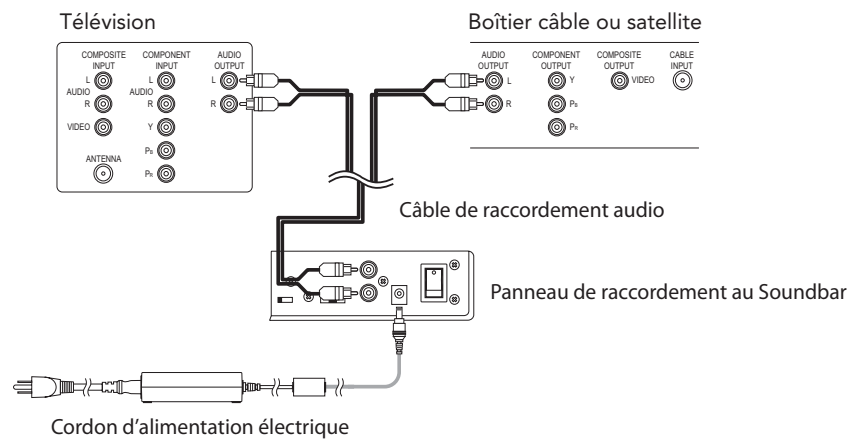


## Raccordez le TVee

Ensuite, vous devrez obtenir un signal d'entrée dans le soundbar du TVee. Tout ce dont vous avez besoin est le câble de raccordement audio fourni. Il existe deux sources probables de signal – votre télévision ou un boîtier de raccordement de télévision câblée. (Le boîtier de commande d'un système satellitaire peut avoir à cet effet la même fonction qu'un boîtier câble. Par souci de simplicité, nous l'appellerons un boîtier câble, mais il pourrait s'agir de l'un ou l'autre.)

L'avantage principal découlant de l'obtention du signal à partir du boîtier câble est que cela est plus facile à installer. Cependant, si vous avez plusieurs sources de signaux, comme un lecteur de DVD, en plus du signal câblé, vous aurez peut-être besoin de recevoir le signal à partir de la télé, de telle sorte que vous puissiez profiter du son TVee avec tous vos médias.

Le haut-parleur de graves reçoit un signal audio sans fil à partir du soundbar—vous n'avez qu'à le brancher dans votre prise de courant.



## Mettez le TVee en marche !

Maintenant, le fun peut commencer ! Connectez l'alimentation électrique au soundbar, mettez son interrupteur en position de marche, ainsi que celui du haut-parleur de graves. Mettez en marche les autres composants de votre système et branchez-vous sur une chaîne habituelle. Le son devrait provenir de votre TVee. Si ce n'est pas le cas, essayez d'augmenter le volume du TVee à l'aide de ses boutons de contrôle du volume.

Si le TVee est connecté à la télévision, essayez d'ajuster le volume à l'aide de la télécommande de la télévision. Si l'intensité du volume change, cela montre que le TVee est raccordé à une sortie « variable ». La commande 'silence' (mute) de la télécommande de la télévision devrait également fonctionner. Cela devrait vous faciliter les choses, car dans ce cas, vous n'avez pas besoin de consulter la rubrique intitulée « Contrôle du TVee » sur la page suivante.

Si le TVee est raccordé à la télévision, il est probable que du son provienne également des haut-parleurs de celle-ci. Avec la plupart des télévisions modernes, il est possible d'éteindre les haut-parleurs internes. Comme il existe des centaines de modèles de télévisions proposés par des douzaines de fabricants, il nous est impossible de vous donner des instructions spécifiques sur la manière de procéder, toutefois, la plupart d'entre eux utilisent une procédure similaire.

La télécommande de votre télévision devrait comporter un bouton « menu » ou « setup » (réglage). Appuyez sur ce bouton et vous verrez un menu s'afficher à l'écran. Cherchez une option permettant de contrôler les fonctions audio et sélectionnez-la. Vous y trouverez probablement le réglage permettant d'éteindre les haut-parleurs internes.

Si vous ne pouvez pas éteindre les haut-parleurs internes, ce n'est pas grave. TVee améliorera considérablement le son émis par les haut-parleurs de la télévision, en procurant une réponse amplifiée et une meilleure définition. Toutefois, pour profiter au maximum de votre TVee, il est préférable que son niveau sonore soit supérieur à celui de la télévision. Utilisez les étapes suivantes pour ajuster l'équilibrage du volume :

- 1 Apprenez au TVee à répondre aux commandes d'augmentation et de réduction du volume sur la télécommande de votre télévision. (Voir la rubrique « Contrôle du TVee » pour des informations sur la manière de procéder.)
- 2 Baissez à fond le volume de la télévision à l'aide des boutons de contrôle situés sur le poste.
- 3 Utilisez les boutons de contrôle du volume sur le soundbar pour régler le volume du TVee à un niveau d'écoute normal.

Après ce réglage, le son provenant du Tvee devrait toujours être plus fort que celui du haut-parleur de la télévision. Vous pouvez alors utiliser la télécommande de la télévision pour régler le volume comme vous en avez l'habitude.

## Réglage fin du Tvee

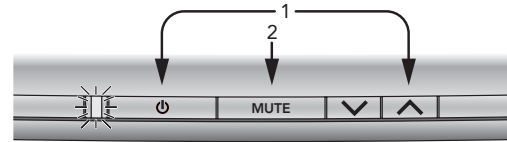
Maintenant que votre Tvee fonctionne normalement, il est temps de régler le haut-parleur de graves de manière à ce qu'il s'incorpore avec les haut-parleurs du soundbar afin que le système produise le son Boston naturel et équilibré. Commencer par régler le volume du haut-parleur de graves au centre de sa plage de rotation. Utilisez une variété de sources sonores, de la musique, la bande sonore d'un film comportant des effets spéciaux dynamiques, un dialogue. Montez et baissez un peu le volume à partir du point de départ jusqu'à l'obtention d'un réglage qui produit un son naturel avec tous les types de programmes utilisés.

## Contrôle du Tvee

Si vous avez raccordé votre Tvee à une télévision, un boîtier câble ou satellite, et que vos tentatives de modifier le volume à l'aide de la télécommande de votre système n'ont aucun effet sur le volume du système Tvee, c'est que celui-ci est connecté à une sortie à « niveau constant ». Dans ce cas, vous devrez programmer Tvee de manière à ce qu'il réponde aux codes de contrôle à distance de la télécommande de votre télévision, ou de toute autre télécommande que vous souhaitez utiliser. L'objectif est tout simplement de pouvoir utiliser une télécommande. Voici comment procéder :

Si par exemple, vous souhaitez que le Tvee apprenne la commande « silence » (mute) de votre télécommande.

- 1 Appuyez et maintenez enfoncés les boutons de mise en marche (Power) et  $\wedge$  « hausse du volume » jusqu'à ce que le voyant de fonctionnement clignote en orange.
- 2 Appuyez sur le bouton pour lequel vous souhaitez programmer une réponse sur votre télécommande, dans notre exemple, le bouton 'silence' (mute).
- 3 Dirigez votre télécommande vers l'avant du soundbar du Tvee depuis une distance d'environ 30cm. Appuyez et maintenez enfoncé le bouton silence (mute) pendant une seconde et relâchez ce bouton pendant une seconde. Répétez cette séquence (appuyer/relâcher) jusqu'à ce que le voyant de fonctionnement devienne vert. **ASTUCE** : Maintenez la télécommande immobile et appuyez/relâchez lentement le bouton pour assurer que le Tvee parvienne à capter le signal de la télécommande.



Si le Tvee ne parvient pas à capter le signal de la télécommande en l'espace de 2 secondes, le voyant de fonctionnement clignote en rouge pendant 20 secondes supplémentaires et redevient ensuite vert. Répétez les étapes 1 à 3, en prenant soin de maintenir la télécommande immobile et d'appuyer lentement sur le bouton. Répétez cette procédure pour les autres boutons de votre télécommande, pour les contrôles que vous souhaitez que votre Tvee apprenne.

**N'oubliez pas** – Tvee peut apprendre à répondre à pratiquement n'importe quel bouton sur pratiquement n'importe quelle télécommande. Vous décidez de la télécommande que vous souhaitez utiliser – télévision, récepteur satellite, boîtier câble, etc. – et apprenez à Tvee à répondre aux boutons que vous souhaitez utiliser.

Si vous faites une erreur, ou si vous souhaitez annuler la programmation de télécommande du Tvee pour une raison quelconque, appuyez et maintenez les boutons de 'Silence' (mute) et de Baisse de volume jusqu'à ce que le voyant de fonctionnement clignote alternativement en rouge et en orange pendant 3 secondes. **REMARQUE** : Cette procédure annule **TOUTES** les programmations de télécommande du Tvee. Si vous avez seulement besoin de changer la programmation pour certains des boutons du Tvee, suivez les trois étapes ci-dessus pour annuler et remplacer les programmations antérieures.

## Informations concernant le Tvee

Dans la plupart des systèmes, après avoir effectué les programmations de télécommande nécessaires, vous n'avez plus qu'à vous installer confortablement et à profiter de la qualité du son. Toutefois, vous trouverez peut-être les informations ci-dessous utiles ou intéressantes.

**Alimentation** – Les interrupteurs d'alimentation à l'arrière du soundbar et du haut-parleur de graves peuvent être laissés en position de marche. Le Tvee est équipé d'un système automatique de mise en veille. Après 15 minutes environ d'inactivité, l'amplificateur s'éteint. Dès que les entrées du Tvee reçoivent un signal, les amplificateurs se remettent en marche.

**Interrupteurs ID sans fil** – Le soundbar et le haut-parleur de graves sont tous deux équipés d'interrupteurs ID sans fil. Les divers réglages de ces interrupteurs modifient la fréquence du signal sans fil que le Soundbar envoie au haut-parleur de



graves. Les deux interrupteurs doivent être réglés sur la même position. Normalement, vous n'aurez jamais besoin de régler ces interrupteurs. Quel est leur fonction ? Si vous avez plus d'un système TVee chez vous, vous pouvez utiliser différents réglages d'Interrupteurs ID sans fil de telle sorte que les systèmes n'interfèrent pas les uns avec les autres.

**Interrupteur de niveau de trim** – Cet interrupteur permet de modifier la sensibilité d'entrée du TVee. Si la sortie de votre télévision est trop basse, vous aurez peut-être besoin de régler l'interrupteur du niveau de trim sur « 1 » pour augmenter le volume. Par contre, si vous entendez une distorsion dans le signal audio, essayez le réglage « 3 » pour baisser le niveau sonore d'entrée.

## Dépannage du TVee

### Le Soundbar ne se met pas en marche.

Le cordon d'alimentation est-il branché dans une prise murale active ?

Le cordon d'alimentation est-il correctement raccordé à l'entrée d'alimentation du soundbar ?

L'Interrupteur de marche/arrêt du panneau arrière est-il en position de « marche » (on) ?

### Le Haut-parleur de graves ne se met pas en marche.

Le haut-parleur de graves est-il branché dans une prise murale active ?

L'Interrupteur de marche/arrêt du panneau arrière est-il en position de « marche » (on) ?

Le fusible est-il grillé ? Si oui, remplacez-le avec un fusible du même type. S'il grille à nouveau rapidement, l'appareil a peut-être besoin d'une réparation.

### Aucun son ne sort du TVee.

L'entrée du signal est-elle raccordée à une sortie qui envoie un signal ?

Le soundbar et le haut-parleur de graves reçoivent-ils une alimentation électrique et sont-ils en marche ?

Augmentez le volume du soundbar du TVee.

Augmentez le volume de la télévision ou du boîtier câble à laquelle/auquel le TVee est raccordé.

Vérifiez si l'appareil est en mode de silence (Mute) – le voyant de fonctionnement clignote-t-il en vert ? Appuyez sur le bouton de silence (Mute) sur le soundbar.

### Aucun son ne sort du Haut-parleur de graves.

Vérifiez les points de la rubrique ci-dessus intitulée « Le haut-parleur de graves ne se met pas en marche ».

Augmentez le volume.

Vérifiez que les interrupteurs ID sans fil sur le soundbar et le haut-parleur de graves sont réglés sur la même valeur.

### Le soundbar produit un son distordu.

Changez le réglage du niveau de trim pour une valeur supérieure.

Vérifiez la source du signal pour vous assurer qu'elle n'est pas à l'origine de la distorsion

### Les graves ne sont pas assez forts.

Augmentez le volume du haut-parleur de graves.

Placez le haut-parleur de graves plus près d'une encoignure de la pièce.

### TVee n'apprend pas les commandes de ma télécommande.

Suivez soigneusement les instructions de programmation.

Maintenez la télécommande immobile et à 30 cm de l'avant du soundbar.

Appuyez et relâchez **lentement** le bouton de la télécommande !

Remarque : Le TVee apprend pratiquement toutes les commandes IR, mais certains protocoles IR ne peuvent pas être programmés.

### J'entends un « bruit sec » lorsque j'allume ma télévision.

Programmez le TVee pour qu'il s'allume et s'éteigne avec le bouton de marche/arrêt de la télécommande de votre télévision.

### Le volume des haut-parleurs de ma télévision augmente de manière plus importante que celui de mon système TVee au cours du temps.

Lorsque le bouton du volume de la télécommande est maintenu appuyé, votre télévision peut changer le niveau du volume plus rapidement que le TVee. Utilisez les boutons du soundbar pour régler le volume du TVee afin d'obtenir l'équilibre correct avec les haut-parleurs de la télévision.

### Le Haut-parleur de graves semble voir des interférences avec son signal sans fil.

Essayez de modifier les réglages des interrupteurs ID sans fil sur le soundbar et le haut-parleur de graves.

Il se peut que celui-ci soit trop éloigné du soundbar pour obtenir un signal correct. Essayez de le rapprocher.



## Garantie limitée

Boston Acoustics garantit à l'acheteur original de notre système TVee que celui-ci ne comportera pas de défauts, que ce soit au niveau des matériaux utilisés ou de la construction de ses pièces mécaniques, pendant une période de 5 ans à partir de la date d'achat. La période de garantie en ce qui concerne les composants électriques est de 1 an.

Vous avez la responsabilité d'installer et d'utiliser ces systèmes conformément aux instructions fournies, de procurer un transport sûr et sécurisé auprès d'un représentant autorisé du service après-ventes de Boston Acoustics et de présenter une preuve d'achat sous la forme de votre ticket de caisse, lorsque vous demandez une réparation.

Sont exclus de cette garantie les dommages causés par un usage abusif, un usage incorrect, une installation incorrecte, les accidents, le transport ou les réparations/modifications effectuées par quiconque autre qu'un représentant autorisé du service après-ventes de Boston Acoustics.

Cette garantie se limite à ce produit Boston Acoustics et ne couvre pas les dégâts subis par tout équipement qui lui est associé. Cette garantie ne couvre pas le coût d'un enlèvement ou d'une réinstallation. Cette garantie est nulle si le numéro de série a été enlevé ou effacé. Cette garantie vous donne des droits juridiques spécifiques, et vous pouvez aussi bénéficier d'autres droits qui varient d'un pays à l'autre.

## Si une réparation semble nécessaire

Contactez tout d'abord le revendeur auprès de qui vous avez acheté ce produit. Si ce n'est pas possible, écrivez à :

Boston Acoustics, Inc.  
300 Jubilee Drive  
Peabody, MA 01960 USA

Ou contactez-nous par e-mail à :  
[support@bostona.com](mailto:support@bostona.com)

Nous vous informerons rapidement des mesures à prendre. S'il est nécessaire de renvoyer votre TVee à l'usine, veuillez l'expédier en port prépayé. Une fois qu'il aura été réparé, nous le retournerons en port prépayé aux Etats-Unis et au Canada.



Ce symbole rencontré sur le produit indique que celui-ci ne doit pas être éliminé avec les déchets domestiques. À la place, il peut être placé dans une installation de collecte distincte réservée aux déchets électroniques ou renvoyé à un détaillant lorsque vous achetez un produit similaire. Le producteur a payé pour que ce produit soit recyclé. Ces mesures contribuent à la réutilisation et au recyclage, ce qui minimise les effets indésirables sur l'environnement et sur la santé humaine et évitent les amendes pour élimination incorrecte.

## IMPORTANTI ISTRUZIONI PER LA SICUREZZA



Questo simbolo riportato sul dispositivo indica la presenza di rischi derivanti da voltaggi pericolosi.



Questo simbolo riportato sul dispositivo indica che l'utente deve leggere tutte le istruzioni di sicurezza riportate nel Manuale dell'utente.



Questo simbolo riportato sul dispositivo indica la presenza di una doppia coibentazione.



### Attenzione!

Per ridurre il rischio di incendio o di folgorazione, non esporre il dispositivo alla pioggia o all'umidità.

1. Leggere le istruzioni.
2. Conservare le istruzioni.
3. Prestare attenzione a tutte le avvertenze.
4. Seguire tutte le istruzioni.
5. Non utilizzare il dispositivo vicino all'acqua. d'une source d'eau.
6. Pulire esclusivamente con un panno asciutto.
7. Non ostruire le aperture di ventilazione. Installare in conformità con le istruzioni fornite dal produttore.
8. Non installare nelle vicinanze di fonti di calore come termosifoni, stufe o qualsiasi altro dispositivo (amplificatori inclusi) che possa generare calore.
9. Non modificare la spina polarizzata o dotata di spinotto di protezione. Una spina polarizzata è dotata di due lame, una più larga dell'altra. Una spina con spinotto è dotata di due lame e di un terzo polo di messa a terra. La lama più larga e il terzo polo hanno lo scopo di tutelare l'incolumità dell'utente. Se la spina in dotazione non si adatta alla presa di corrente disponibile, rivolgersi a un elettricista per far eseguire le modifiche necessarie.
10. Proteggere il cavo di alimentazione da possibili calpestamenti o compressioni, in particolare in corrispondenza di spine, prese di corrente e punto di uscita dall'apparecchio.
11. Utilizzare esclusivamente prese/accessori specificati dal produttore.
12. Scollegare l'apparecchio dalla presa di corrente in caso di temporali o di non utilizzo per un lungo periodo di tempo.
13. Rivolgersi esclusivamente a personale di assistenza qualificato per qualsiasi intervento. È necessario intervenire sull'apparecchio ogniqualvolta esso risulti danneggiato in qualsiasi modo, per esempio in caso di danneggiamento della spina o del cavo di alimentazione, versamento accidentale di liquido sull'apparecchio o caduta di oggetti su di esso, esposizione a pioggia o umidità, funzionamento irregolare o caduta.
14. Collocare l'apparecchio mantenendo una distanza minima di 2" (50 mm) davanti, dietro e sui lati, per garantire una ventilazione ottimale. Non ostruire la ventilazione coprendo le aperture di ventilazione o collocando sul dispositivo o attorno a esso materiali quali giornali, tessuti, tende e così via.
15. Non collocare sull'apparecchio fonti di fiamme libere quali candele accese.
16. Non esporre il dispositivo a sgocciolamenti o spruzzi d'acqua. Non appoggiare sopra il dispositivo oggetti contenenti liquidi, quali vasi da fiori.
17. Fare in modo che il connettore di alimentazione in ingresso posto sul pannello posteriore del dispositivo o la spina di alimentazione inserita nella presa restino accessibili, in modo da rendere possibile lo scollegamento del dispositivo.
18. Per scollegare completamente il dispositivo dalla presa di corrente, staccare la spina del cavo di alimentazione dall'uscita AC.



Utenti americani:

**Nota:** Il presente dispositivo è stato testato e ritenuto conforme ai limiti di Classe B per i dispositivi digitali, riportati nella Parte 15 delle Norme FCC. Tali limiti sono stati sviluppati ai fini di fornire una protezione ragionevole contro interferenze pericolose in installazioni residenziali. Il presente dispositivo genera, usa e può emettere energia di radiofrequenza e, se non installato e utilizzato in conformità con le istruzioni riportate, potrebbe comportare interferenze pericolose alle comunicazioni via radio. Tuttavia, non vi è alcuna garanzia che le interferenze non si verifichino in una particolare installazione. Se il presente dispositivo dovesse comportare interferenze pericolose nella ricezione radiotelevisiva, il che può essere determinato tramite l'accensione e lo spegnimento del dispositivo stesso, si invita l'utente a tentare di correggere l'interferenza, prendendo una o più delle seguenti misure:

- Riorientare o ricollocare l'antenna di ricezione.
- Aumentare la distanza tra il dispositivo e il ricevitore.
- Connettere il dispositivo a un'uscita di un circuito diverso da quello al quale è connesso il ricevitore.
- Consultare il rivenditore o un tecnico radio/TV con esperienza, per ottenere assistenza.

**Attenzione:** Modifiche o variazioni non autorizzate apportate all'apparecchiatura potrebbero compromettere il funzionamento del dispositivo da parte dell'utente.



Utenti europei:

RLAN - Radio Local Area Network Equipment

AT	CZ	FI	IS	LT	PT	SE	FR
BE	DK	DE	IE	MT	SK	CH	IT
EE	GR	LV	NL	SI	TR	LU	CY
HU	PL	ES	GB	NO			

Il presente dispositivo può essere utilizzato esclusivamente in interni in FR.

Il presente dispositivo può essere utilizzato esclusivamente in ambienti privati in IT.

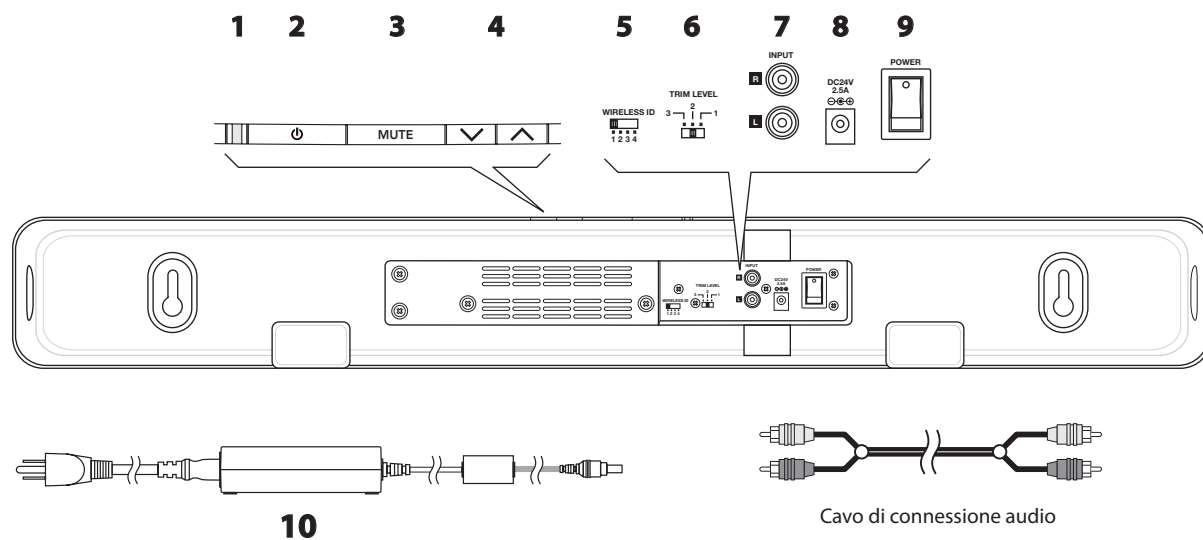
Il presente dispositivo può essere utilizzato solo privatamente in LU. Funzionamento non consentito entro un raggio di 20 km dal centro di Ny-Ålesund in NO.

Con il presente manuale, Boston Acoustics, Inc. 300 Jubilee Drive, Peabody, MA 01960 USA, dichiara che il dispositivo TVee Modello 2 è conforme ai requisiti essenziali e ad altre importanti condizioni definite nella Direttiva 1999/5/EC. Per ottenere una copia della Dichiarazione di Conformità (DOC) rivolgersi a:

Oliver Kriete  
Boston Acoustics, Division of D&M Europe B.V.  
Beemdstraat 11  
5653 MA Eindhoven  
Olanda



## Componenti di TVee

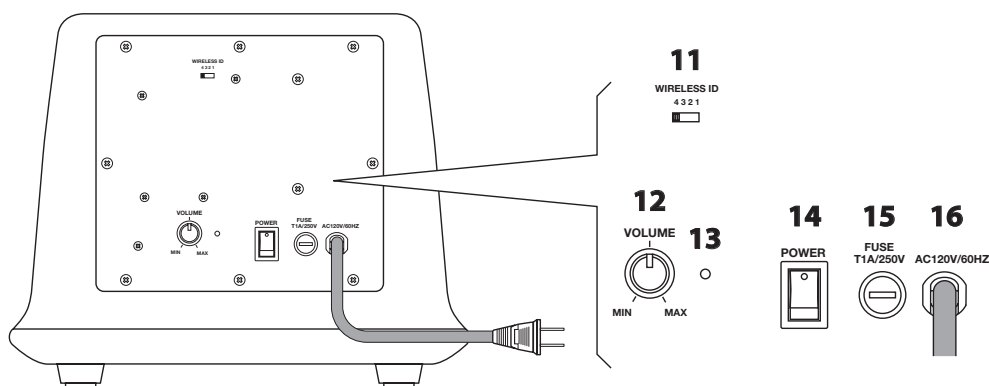


- 1** Indicatore di stato. Presenta spie di vari colori che indicano lo stato del funzionamento. Vedere la tabella seguente.
- 2** Pulsante di accensione. Consente di attivare manualmente TVee o di attivare la modalità di standby.
- 3** Pulsante di azzeramento volume. Permette di azzerare temporaneamente il volume di TVee.
- 4** Pulsanti volume. Consentono di regolare manualmente il volume di TVee.
- 5** Interruttore wireless ID. Permette di selezionare il "canale" per il segnale wireless del Gruppo Bassi. Impostare l'interruttore **11** nella stessa posizione.
- 6** Interruttore di livello. Regola la sensibilità in ingresso di TVee.
- 7** Ingressi. Ricevono il segnale in ingresso per TVee. Vedere la sezione "Connettere TVee" per ulteriori informazioni in merito.
- 8** Ingresso alimentazione. Collegare il cavo di alimentazione **10** in questo punto.
- 9** Interruttore On/Off. Permette di accendere o spegnere TVee soundbar. Solitamente viene lasciato su ON.
- 10** Cavo di alimentazione. Fornisce l'alimentazione alla soundbar. Inserire la spina del cavo di alimentazione nella presa a muro e collegare il cavo all'ingresso alimentazione **8**.



## Indicatore di stato Soundbar

<b>Verde fisso</b>	Modalità di accensione normale.
<b>Verde lampeggiante una volta</b>	Indica la ricezione di un segnale di controllo dal telecomando.
<b>Arancione lampeggiante</b>	TVee è pronto per apprendere un comando dal telecomando.
<b>Arancione fisso</b>	È attualmente selezionato il pulsante di controllo per l'apprendimento di un comando; TVee è in attesa di apprendere un comando IR.
<b>Verde lampeggiante</b>	TVee ha appreso un comando dal telecomando.
<b>Rosso lampeggiante</b>	TVee non è riuscito ad apprendere un comando dal telecomando.
<b>Rosso e arancione lampeggiante</b>	Indica che i codici IR appresi sono stati cancellati con successo.



- 11** Interruttore wireless ID. Permette di selezionare il "canale" per il segnale wireless del Gruppo Bassi. Impostare nella stessa posizione dell'interruttore **5**.
- 12** Volume. Permette di regolare il volume del gruppo bassi per effettuare il bilanciamento con soundbar.
- 13** Indicatore di stato. Le spie diventano di colore rosso quando il gruppo bassi è attivo e verde quando questo è in modalità di standby.
- 14** Interruttore On/Off. Permette di accendere o spegnere il gruppo bassi TVee. Solitamente viene lasciato su ON.
- 15** Fusibile di alimentazione. Protegge il gruppo bassi.
- 16** Cavo di alimentazione. Collegarlo all'uscita AC.

## Specifiche

<b>Potenza del sistema</b>	100 watts	
<b>Dimensioni</b> (H x L x P)	Soundbar	3¼ x 31 x 4" (93 x 788 x 102mm)
	Gruppo Bassi	9⅞ x 11½ x 11½" (240 x 292 x 292)
<b>Peso</b>	Soundbar	8.4 lbs (3.9kg)
	Gruppo Bassi	11 lbs (5kg)

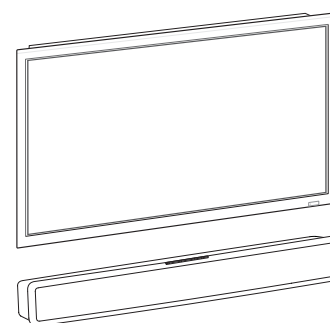
## Informazioni su TVee

Congratulazioni per aver scelto TVee come sistema di home entertainment personale. TVee combina il famoso audio Boston con una facilità d'impiego senza precedenti. A partire da due compatti componenti, TVee permette di ottenere un suono che aggiungerà letteralmente un'intera nuova dimensione all'esperienza di TV entertainment dell'utente. Potenti amplificatori e circuiti di elaborazione D-sound garantiscono prestazioni emozionanti. La connessione wireless tra la soundbar e il gruppo bassi facilita notevolmente l'impostazione di TVee, formando la combinazione ideale di prestazioni e convenienza. Se necessario, TVee può anche apprendere dei segnali di controllo emessi da un telecomando, per una massima facilità d'uso e un funzionamento completamente trasparente.

## Installazione di TVee

Probabilmente non vedrete l'ora di iniziare a utilizzare TVee, dunque procediamo subito con l'installazione. Collocare innanzitutto i componenti di TVee nella posizione desiderata. La soundbar deve essere posta centralmente rispetto allo schermo del televisore. Essa può essere collocata davanti al televisore, per esempio, oppure se il televisore si trova in un mobile predisposto con uno scaffale esattamente sopra lo schermo, collocare la soundbar su di esso. Evitare vani semichiusi, che potrebbero compromettere il bilanciamento audio naturale di TVee. Sul retro del case della soundbar sono presenti dei fori che consentono di fissarla a una parete.

Il gruppo bassi è molto semplice. Esso può essere collocato in qualsiasi punto della stanza. Dal momento che esso riceve il segnale in modalità wireless, non ci si deve preoccupare di alcuna connessione. È sufficiente collegarlo a un'uscita AC. La collocazione in un angolo consente di rafforzare l'emissione dei bassi.

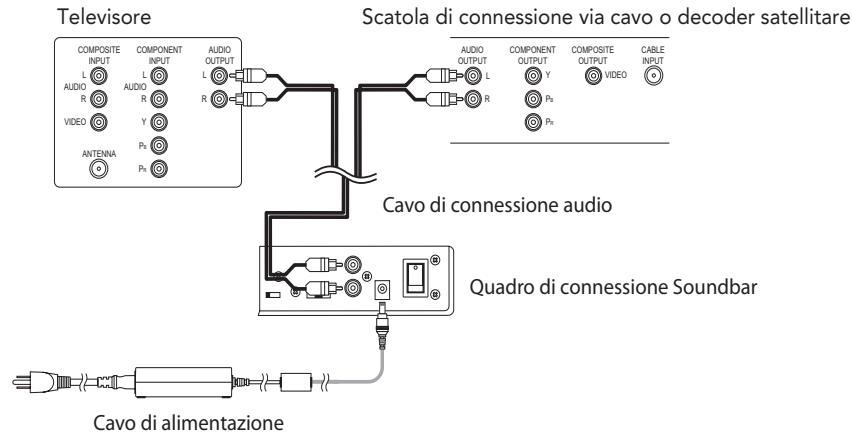


## Connettere TVee

È ora necessario ottenere un segnale in ingresso per TVee soundbar. A questo scopo, utilizzare il cavo di connessione audio in dotazione. Il segnale può essere trasmesso da due fonti: il televisore o una scatola di connessione per TV via cavo (che nel caso di un sistema satellitare ha la stessa funzione del decoder). Per semplicità la chiameremo scatola di connessione).

Il principale vantaggio derivante dalla possibilità di ottenere il segnale dalla scatola di connessione è la sua facilità di installazione. Se però si dispone di più fonti di segnale, come un lettore DVD, in aggiunta al segnale via cavo potrebbe essere necessario ottenere il segnale dalla TV in modo da poter fruire dell'audio di TVee con tutti i supporti presenti.

Il gruppo bassi riceve un segnale audio wireless dalla soundbar: è necessario semplicemente collegarlo all'uscita AC.



## Accendere TVee!

Ora arriva il bello! Collegare il cavo di alimentazione alla soundbar, accenderla tramite il pulsante di accensione e accendere il gruppo bassi tramite il pulsante di accensione corrispondente. Accendere gli altri componenti del sistema e sintonizzarsi su un canale noto. Si dovrebbe udire l'audio proveniente da TVee. In caso negativo, tentare di alzare il volume di TVee utilizzando i pulsanti di controllo volume.

Se TVee è connesso al televisore, tentare di regolare il volume utilizzando il telecomando del televisore. Se il livello di volume cambia, questo indica che TVee è collegato a un'uscita "variabile". Dovrebbe funzionare anche il controllo di azzeramento del volume del telecomando del televisore. Questo facilita le cose e permette di ignorare la sezione "Controllo di TVee" alla pagina seguente.

Se TVee è connesso al televisore, è probabile che siano in funzione anche gli altoparlanti del televisore. Molti televisori moderni dispongono di un sistema di disattivazione degli altoparlanti interni. Sono disponibili centinaia di modelli di televisori prodotti da decine di produttori, dunque è impossibile fornire delle istruzioni specifiche su come procedere. Buona parte di essi si serve tuttavia di una procedura simile.

Ricerca un pulsante di tipo "menu" o "setup" sul telecomando del televisore. Premerlo e visualizzare un menu sullo schermo. Ricerca un'opzione per il controllo delle funzioni audio e selezionarla. Al suo interno, si trovano probabilmente le impostazioni di disattivazione degli altoparlanti interni.

Se non è possibile disattivare gli altoparlanti interni non c'è problema. TVee migliorerà efficacemente l'audio degli altoparlanti del televisore con una risposta estesa e una migliore definizione audio. Tuttavia, per ottenere il massimo da TVee, è consigliabile tenerlo a un volume più alto rispetto a quello del televisore. Attenersi ai seguenti passaggi per regolare il bilanciamento del volume:

- 1 Far apprendere a TVee i comandi di aumento e riduzione del volume del telecomando del televisore. Vedere la sezione "Controllo di TVee" per ulteriori informazioni in merito.
- 2 Abbassare completamente il volume del televisore utilizzando i pulsanti di controllo corrispondenti.
- 3 Utilizzare i pulsanti di controllo del volume della soundbar per impostare il volume di TVee a un livello di ascolto normale.



Dopo aver effettuato questa regolazione, il volume di TVee dovrebbe risultare sempre più alto rispetto a quello degli altoparlanti del televisore. Successivamente, sarà possibile utilizzare il telecomando del televisore per regolare il volume come avviene normalmente.

## Calibrare TVee

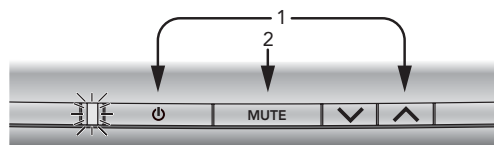
Ora che il dispositivo è collegato e funzionante, è possibile regolare il gruppo bassi in relazione agli altoparlanti della soundbar, in modo che il sistema emetta un audio Boston bilanciato e naturale. Iniziare con il controllo volume del gruppo bassi collocato al centro dell'intervallo di rotazione. Riprodurre una vasta gamma di materiale sorgente, come musica, la colonna sonora di un film con effetti speciali dinamici, dialoghi parlati. Regolare il volume aumentandolo e riducendolo rispetto al punto iniziale, fino a ottenere un suono naturale con i diversi tipi di materiale programmato.

## Control TVee

Se si è connesso TVee a un televisore, a una scatola di connessione o a un decoder satellitare e la variazione del volume tramite il telecomando non ha alcun effetto sul volume del sistema TVee, questo indica che l'uscita alla quale è connesso TVee è di tipo "a livello costante". Con un'uscita di tipo a livello costante, è necessario programmare TVee in modo che risponda ai codici del telecomando del televisore o qualsiasi altro telecomando che si desidera utilizzare. L'obiettivo è quello di poter utilizzare un solo telecomando. Ecco come procedere.

Supponiamo che si desideri che TVee apprenda il comando di "azzeramento volume" del telecomando disponibile.

- 1 Tenere premuto il pulsante di accensione e il pulsante "Volume Su" fino a quando la spia dell'indicatore di stato non diventa arancione lampeggiante.
- 2 Premere il pulsante che si desidera programmare sul proprio telecomando: in questo esempio, il pulsante di azzeramento volume.
- 3 Dirigere il telecomando verso TVee soundbar da circa 30 cm di distanza. Tenere premuto il pulsante di azzeramento volume per un secondo, quindi rilasciarlo per un altro secondo. Ripetere la sequenza di pressione e rilascio del pulsante fino a quando l'indicatore di stato non diventa verde.



**SUGGERIMENTO:** tenere fermo il telecomando e premere/rilasciare lentamente il pulsante per assicurarsi che TVee acquisisca il segnale del telecomando.

Se TVee non acquisisce il segnale del telecomando entro 20 secondi, l'indicatore di stato diventerà di colore rosso lampeggiante per altri 20 secondi, quindi tornerà verde. Ripetere i passaggi da 1 a 3, prestando attenzione a tenere fermo il telecomando e a premere lentamente il pulsante. Ripetere questa procedura con tutti gli altri pulsanti del telecomando che si desidera far apprendere a TVee.

**Importante:** TVee può imparare a rispondere a quasi qualsiasi pulsante di quasi tutti i telecomandi. L'utente decide quale telecomando utilizzare: quello del televisore, quello del ricevitore satellitare, quello della scatola di connessione via cavo e così via, insegnando a TVee a rispondere ai pulsanti desiderati.

Nel caso di errori o nel caso in cui si desideri cancellare la programmazione del telecomando da TVee per qualsiasi motivo, tenere premuti i pulsanti di azzeramento volume e Volume Giù fino a quando l'indicatore di stato non lampeggia alternativamente in rosso e arancione per 3 secondi. **NOTA:** in questo modo, viene cancellata **COMPLETAMENTE** la programmazione da telecomando di TVee. Se si necessita di modificare la programmazione per alcuni pulsanti di TVee, seguire i tre passaggi appena descritti per sovrascrivere la programmazione precedente.

## Dettagli su TVee

Nella maggior parte dei sistemi, dopo aver effettuato la programmazione da telecomando desiderata, è possibile rilassarsi e godersi il nuovo audio ottenuto. Potrebbero però risultare utili o interessanti i seguenti dettagli.

**Alimentazione** – Gli interruttori di alimentazione sul retro della soundbar e del gruppo bassi possono essere lasciati accesi. TVee dispone di una modalità di standby automatica. Dopo circa 15 minuti di inattività, gli amplificatori si spengono automaticamente. Non appena viene applicato un segnale agli ingressi di TVee, gli amplificatori si accendono di nuovo.

**Interruttore wireless ID** – Sia la soundbar sia il gruppo bassi dispongono di un interruttore wireless ID. L'impostazione degli interruttori cambia la frequenza del segnale wireless inviato dalla soundbar al gruppo bassi. I due interruttori devono dunque essere impostati nella stessa posizione.



Solitamente, non è necessario regolare questi interruttori. A cosa servono allora? Se si dispone di più sistemi TVee nella propria abitazione è possibile usare diverse impostazioni per gli interruttori wireless ID, in modo che i sistemi non interferiscano reciprocamente.

**Interruttore di livello** – Regola la sensibilità in ingresso di TVee. Se l'uscita del televisore è troppo bassa, potrebbe essere necessario cambiare il livello impostato a "1" per alzarlo. Al contrario, se si rileva una distorsione del segnale audio, provare l'impostazione "3" per abbassare l'ingresso.

## Risoluzione dei problemi di TVee

### La Soundbar non si accende.

L'alimentazione è collegata a una presa funzionante?

L'alimentazione è collegata correttamente all'ingresso di alimentazione della soundbar?

L'interruttore di alimentazione sul quadro posteriore si trova in posizione "ON"?

### Il Gruppo Bassi non si accende.

Il gruppo bassi è collegato a una presa funzionante?

L'interruttore di alimentazione sul quadro posteriore si trova in posizione "ON"?

Il fusibile è danneggiato? Sostituire con un fusibile dello stesso tipo. Se questo si danneggia di nuovo e dopo poco tempo, potrebbe essere necessario far riparare il gruppo bassi.

### Non è possibile udire alcun audio proveniente da TVee.

L'ingresso del segnale è collegato a un'uscita che fornisce un segnale?

Soundbar e Gruppo Bassi sono alimentati e accesi?

Alzare il volume di TVee Soundbar.

Alzare il volume del televisore o della scatola di connessione a cui è connesso TVee.

Controllare lo stato di azzeramento del volume: l'indicatore di stato è verde lampeggiante? Premere il pulsante di azzeramento volume della Soundbar

### Non è possibile udire alcun suono proveniente dal gruppo bassi.

Effettuare i controlli riportati nella sezione precedente "Il gruppo bassi non si accende".

Alzare il controllo volume.

Assicurarsi che gli interruttori wireless ID di soundbar e gruppo bassi siano impostati allo stesso modo.

### Il suono proveniente dalla Soundbar risulta distorto.

Impostare l'interruttore di livello a un valore più alto.

Controllare la fonte del segnale per assicurarsi che la distorsione non abbia origine da questo punto.

### Bassi non sufficientemente alti.

Alzare il controllo volume del gruppo bassi.

Avvicinare il gruppo bassi a un angolo della stanza.

### TVee non apprende i comandi dal telecomando.

Seguire attentamente le istruzioni di programmazione.

Tenere fermo il telecomando a circa 30 cm dalla soundbar.

Premere e rilasciare il pulsante del telecomando **l e n t a m e n t e!**

Nota: TVee apprende quasi tutti i comandi IR, ma alcuni protocolli IR non possono essere programmati.

### Si sente un "pop" quando si spegne il televisore.

Programmare TVee in modo che si accenda e si spenga con il pulsante di accensione del telecomando del televisore.

### Col passare del tempo, il volume degli altoparlanti del televisore si alza rispetto a quello del sistema TVee.

Quando il pulsante di controllo volume del telecomando viene tenuto premuto, la televisione può cambiare livello di volume più velocemente rispetto a TVee.

### Utilizzare i pulsanti della Soundbar per regolare il volume di TVee e ottenere un bilanciamento corretto con gli altoparlanti del televisore. Il woofer sembra presentare delle interferenze con il segnale wireless.

Provare a cambiare le impostazioni degli interruttori wireless ID di soundbar e gruppo bassi.

Il gruppo bassi potrebbe trovarsi troppo lontano dalla Soundbar per poter ottenere un buon segnale. Provare ad avvicinarli.



## Garanzia limitata

Boston Acoustics garantisce all'acquirente originale del sistema TVee che questo apparecchio non presenta alcun difetto nei materiali e nella composizione delle sue parti meccaniche per un periodo di 5 anni dalla data dell'acquisto. Il periodo di garanzia per i componenti elettrici di TVee è di 1 anno.

In fase di richiesta di assistenza, è di responsabilità dell'acquirente l'installazione e l'impiego del dispositivo in conformità con le istruzioni fornite, al fine di fornire un trasporto sicuro e protetto presso un rappresentante di assistenza autorizzato Boston Acoustics, nonché di presentare eventuali prove d'acquisto sotto forma di documento di vendita.

La presente garanzia non include danni derivanti da abuso, cattivo uso, installazione non corretta, incidenti, spedizione o riparazioni/modifiche effettuate da persone non autorizzate da Boston Acoustics.

Questa garanzia è limitata al prodotto Boston Acoustics e non copre i danni di alcun dispositivo associato. Questa garanzia non copre i costi di rimozione o reinstallazione. Questa garanzia non è valida in mancanza del numero di serie del dispositivo. Questa garanzia fornisce all'utente diritti legali specifici e gli consente di fruire di altri diritti che variano da uno stato all'altro.

## In necessità di assistenza

Contattare innanzitutto il rivenditore presso il quale è stato acquistato il prodotto. Se questo non è possibile, scrivere a:

Boston Acoustics, Inc.  
300 Jubilee Drive  
Peabody, MA 01960 USA

O contattateci tramite e-mail all'indirizzo:  
[support@bostona.com](mailto:support@bostona.com)

Vi informeremo immediatamente su come procedere. Se è necessario restituire TVee alla fabbrica, effettuare una spedizione prepagata. In seguito alla riparazione, ve lo restituiranno riparato e franco spedizione negli Stati Uniti e Canada.



Questo simbolo riportato sul prodotto indica che il prodotto non può essere smaltito con i rifiuti domestici. Al contrario, esso deve essere smaltito tramite un sistema di smaltimento apposito per i rifiuti elettronici o restituito al rivenditore all'acquisto di un prodotto simile. Il produttore ha pagato per il riciclo di questo prodotto. In tal modo, è possibile contribuire al reimpiego e riciclo dei materiali, riducendo al minimo gli effetti indesiderati sull'ambiente e la salute umana ed evitando multe per uno smaltimento errato.



## VIKTIGA SÄKERHETSANVISNINGAR



Denna symbol som sitter på apparaten indikerar risker för hög spänning.



Denna symbol som sitter på apparaten indikerar att användarna måste läsa alla säkerhetsanvisningar i bruksanvisningen.



Denna symbol som sitter på apparaten indikerar en dubbel isolering.

**Varning!**

För att minska risken för elektrisk stöt, ska du inte utsätta denna apparat för regn eller fukt.

- Läs dessa anvisningar.
- Bevara dessa anvisningar.
- Följ alla varningar.
- Följ alla anvisningar.
- Använd inte apparaten nära vatten.
- Rengör den endast med en torr trasa.
- Blockera inga ventilationsöppningar. Installera den enligt tillverkarens anvisningar.
- Installera den inte nära värmekällor som element, värmepannor, ugnar eller andra apparater som genererar värme (inklusive förstärkare).
- Förstör inte säkerhetsfunktionen på polariserade eller jordningskontakter. En polariserad kontakt har två stift och en bredare jordningskontakt. En polariserad kontakt har två stift och ett tredje jordningsstift. Det bredare stiftet eller det tredje stiftet finns där av säkerhetsskäl. Om den medföljande kontakten inte passar ditt uttag, ska du kontakta en elektriker för byte av det felaktiga uttaget.
- Se till att man inte kan kliva på elkabeln eller att den kläms, speciellt vid kontakterna och vid de platser där de kommer ut ur apparaten.
- Använd endast tillbehör som specificeras av tillverkaren.
- Koppla bort denna apparat under stormoväder eller då du inte ska använda apparaten under en längre tid.
- Anförtro all service till kvalificerad servicepersonal. Service krävs när apparaten har skadats, som då elkabeln eller uttaget har skadats, om vätska har spillts ut eller föremål har fallit ned i apparaten eller om apparaten har utsatts för regn eller fukt, inte fungerar normalt eller har tappats.
- Bibehåll ett minsta avstånd på 50 mm runt framsidan, baksidan och vid apparatens sidor för att garantera en tillräcklig ventilation. Ventilationen ska inte hindras genom att täcka över ventilation-söppningarna eller placera föremål runt apparaten som tidningar, dukar, gardiner osv.
- Inga öppna eldslågor som tända ljus, får placeras på apparaten.
- Apparaten får inte utsättas för droppar eller stänk.
- Strömkontakten bak på apparaten eller strömkontakten på väggen måste vara tillgängliga för att man lätt ska kunna koppla bort strömmen från apparaten.
- För att helt koppla bort apparaten från AC-systemet, ska du koppla bort strömkabelns kontakt från AC-uttaget. Inga föremål som är fyllda med vätska som vaser får placeras på apparaten.



Amerikanska användare:

**Obs:** denna utrustning har testats och godkänts som överensstämmande med gränsvärdena för digital utrustning av Klass B, enligt del 15 av FCC-reglerna för amerikanska användare. Dessa gränsvärden har framtagits för att tillhandahålla ett skäligt skydd mot skadliga störningar i hemmainstallationer. Denna utrustning genererar, använder och utsänder radiofrekvensenergi och om den inte installeras enligt anvisningarna, kan den leda till skadliga störningar i radiokommunikationer. Men det finns inga garantier för att störningar inte kommer att ske i en viss installation. Om denna utrustning inte ger upphov till skadliga störningar i radio- eller TV-mottagningar, vilket kan avgöras genom att stänga av och sätta på apparaten, uppmantras användaren att korrigera störningarna genom att tillämpa ett eller fler av följande åtgärder:

- Ändra riktning för att lokalisera mottagarantennen.
- Öka separationen mellan utrustningen och mottagaren.
- Anslut utrustningen till ett uttag i en krets som skiljer sig från den som mottagaren anslutits till.
- Konsultera återförsäljaren eller en erfaren radio- och TV-tekniker för hjälp.

**Obs** otillåtna ändringar eller modifieringar på mottagaren kan göra så att användaren förlorar rättigheten att använda apparaten.



Användare i Europa

RLAN - Radio Local Area Network Equipment

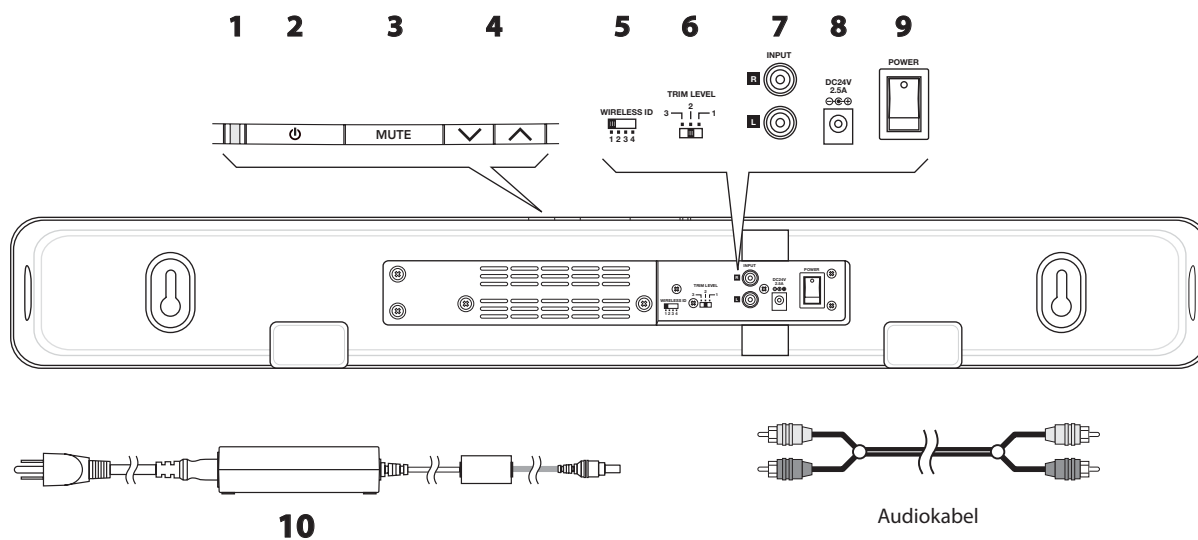
AT	CZ	FI	IS	LT	PT	SE	FR
BE	DK	DE	IE	MT	SK	CH	IT
EE	GR	LV	NL	SI	TR	LU	CY
HU	PL	ES	GB	NO			

Denna utrustning får endast användas inomhus i Frankrike. Denna utrustning får endast användas i det egna hemmet i Italien. Denna utrustning är avsedd endast för privat bruk i LU. Denna utrustning är avsedd för privat användning och får inte användas inom 20 km från centrum i NY-Ålesund i Norge.

Härmed deklarerar Boston Acoustics, Inc. 300 Jubilee Drive, Peabody, MA 01960 USA, att TVEE Model 2 överensstämmer med de grundläggande kraven och andra relevanta bestämmelser i Direktivet 1999/5/EC. En kopia på Konformitetsdeklarationen (DOC) kan erhållas från:

Oliver Kriete  
Boston Acoustics, Division of D&M Europe B.V.  
Beemdstraat, 11  
5653 MA Eindhoven  
Nederländerna

## Beståndsdelar för TVee



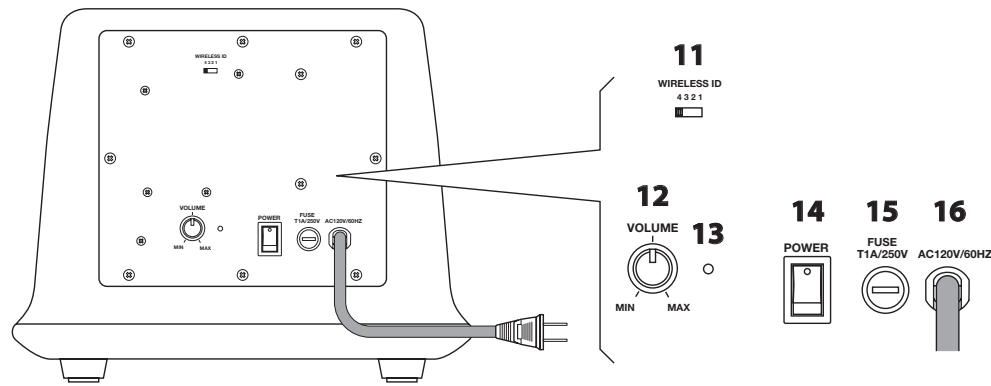
- 1** Statusindikator – Tänds med olika färger för att indikera driftsstatus. Se tabellen nedan.
- 2** Strömknapp – Låter dig manuellt aktivera TVee eller ställa in vänteläget.
- 3** Mute-knapp – Låter dig tillfälligt stänga av ljudet på TVee.
- 4** Volymknappar upp och ned – Låter dig manuellt justera volymen på TVee.
- 5** Sladdlös ID-strömbrytare – Väljer kanal för den sladdlösa basenhetens signal. Ställ in **11** i samma läge.
- 6** Strömbrytare för finavstämningnivån – Justerar ingångskänsligheten för TVee.
- 7** Ingångar – Tar emot ingångssignaler för TVee. Se avsnittet "Att ansluta TVee" för ytterligare information.
- 8** Strömingång – Anslut strömförsörjningssystemet **10** här.
- 9** Strömbrytare på/av – Sätter på och stänger av TVee soundbar. Ska normalt lämnas på.
- 10** Strömförsörjning – Förser soundbar med ström. Anslut den till vägguttaget och till strömingången **8**.



## Soundbar statusindikator

<b>Lyser med ett grönt sken</b>	Normalt strömläge.
<b>Grönt sken som blinkar en gång</b>	Visar att en signal från fjärrkontrollen tas emot.
<b>Orange blinkande sken</b>	TVee är klar att lära sig ett fjärrkontrollskommando.
<b>Lyser orange</b>	TKontrollknappen som lär sig ett kontrollkommando har valts. TVee väntar på ett IR-kommando att minneslagra.
<b>Blinkar grönt</b>	TVee har lyckats minneslagra ett kommando från fjärrkontrollen
<b>Blinkar rött</b>	TVee har misslyckats med att minneslagra ett kommando från fjärrkontrollen.
<b>Blinkar rött och orange</b>	Indikerar att de minneslagrade IR-koderna har raderats korrekt.





- 11** Sladdlös ID-brytare – Väljer "kanal" för den sladdlösa basenhetens signal. Ställ in samma läge som **5**.
- 12** Volym – Justerar volymen i basenheten för att balansera den med Soundbar.
- 13** Statusindikator – Blir röd när basenheten är på och grön i vänteläget.
- 14** Strömbrytare för ström på/av – Sätter på eller stänger av TVee basenhet. Ska normalt vara på.
- 15** Säkring – Skyddar basenheten.
- 16** Elkabel – Anslut den till AC-uttaget.

## Specifikationer

<b>Systemeffekt</b>	100 watts		
<b>Mått</b> (H x W x D)	Soundbar	3¾ x 31 x 4" (93 x 788 x 102mm)	
	Basenhet	9⅞ x 11½ x 11½" (240 x 292 x 292)	
<b>Vikt</b>	Soundbar	8.4 lbs (3.9kg)	
	Basenhet	11 lbs (5kg)	

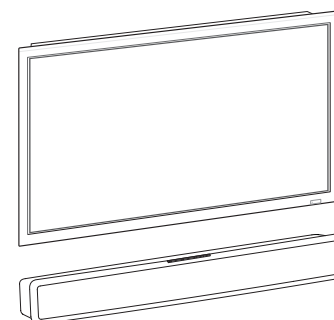
## Om TVee

Vi gratulerar dig till ditt val av TVee för ditt hemmasystem. TVee kombinerar det berömda Bostonljudet med en otrolig lätt användning. Från två kompakta komponenter, levererar TVee ett ljud som skapar en helt ny dimension för din TV-upplevelse. Kraftfulla förstärkare och D-ljudsbearbetningskretsar garanterar otroliga prestanda. En sladdlös anslutning mellan soundbar och basenheten gör att TVee är mycket enkel att ställa in – en perfekt kombination av prestanda och bekvämlighet. Vid behov kan TVee även minneslagra kontrollsignalerna från din fjärrkontroll för att förenkla användningen ytterligare och uppnå en helt genomskinlig användning.

## Att installera TVee

Du är antagligen ivrig att börja använda din TVee så låt oss sätta igång. Först ska du placera ut TVee-komponenterna. Soundbar ska placeras så att den är centrerad med TV-skärmen. Den kan vara framför TV:n. Eller om din TV sitter i en möbel som har en hylla till höger ovanför skärmen, kan du installera soundbar där. Men undvik platser som är till hälften stängda. Det kan förstöra den naturliga ljudbalansen i TVee. Det finns nyckelhål på baksidan av Soundbar-höljet för att underlätta dess upphängning på väggen.

Basenheten är lätt att installera var som helst i rummet. Eftersom den tar emot signalerna sladdlöst, behöver du inte oroa dig för anslutningarna. Sätt bara i elkabeln i ett AC-uttag. En hörnplacering kan förstärka baseffekten.

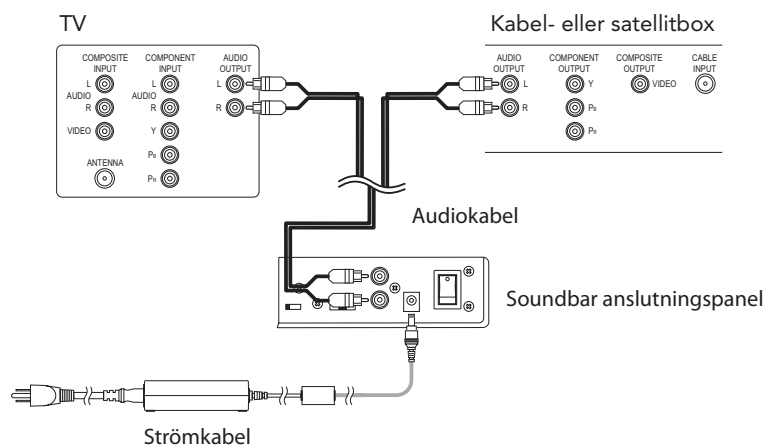


## Att ansluta TVee

Det nästa du behöver är en ingångssignal till TVee soundbar. Allt som behövs är audiokabeln som medföljer. Det finns två signalkällor – din TV eller en TV med kabelbox. (Kontrollboxen för ett satellitsystem motsvarar kabelboxen. För enkelhetens skull kallar vi det kabelbox, men det kan även gälla ett satellitsystem.)

Den huvudsakliga fördelen med att få signalen från kabelboxen är att inställningen är enklare. Men om du har flera signalkällor som en DVD-spelare, måste du förutom kabelsignalen behöva få signalen från TV:n så att du kan njuta av TVee-ljudet för alla dina media.

Basenheten tar emot en sladdlös ljudsignal från soundbar – du behöver bra ansluta den till ditt AC-uttag.



## Starta TVee!

Nu börjar det roliga! Anslut strömsystemet till soundbar, sätt på dess strömbrytare och strömbrytaren på basenheten. Sätt på de andra komponenterna i systemet och stäm in en känd kanal. Du bör höra ljudet från TVee. Om du inte gör det, kan du försöka att öka volymen på TVee med volymknapparna.

Om TVee är ansluten till TV:n ska du försöka justera volymen med TV:ns fjärrkontroll. Om volymnivån ändras, betyder det att TVee är ansluten till en "varierande" utgång. Mute-kontrollen på TV:ns fjärrkontroll bör också fungera. Det gör saker och ting lättare. Du kan ignorera avsnittet "Att manövrera TVee" på nästa sida.

Om TVee är ansluten till TV:n är det troligt att TV-högtalarna återger ljudet. De flesta moderna TV-apparaterna har sätt att stänga av de invändiga högtalarna på. Det finns hundratals modeller TV-apparater från dussintals tillverkare, så därför är det omöjligt att ge specifika anvisningar om hur man gör det, men de flesta fungerar på följande sätt.

Leta efter en menyknapp eller en inställningsknapp på din TV:s fjärrkontroll. Tryck på den för att visa en meny på skärmen. Leta efter ett alternativ för att kontrollera ljudfunktionerna och välj det. Här kommer du antagligen att finna inställningen för att stänga av de invändiga högtalarna.

Om du inte kan stänga av de invändiga högtalarna är det inget problem. TVee kommer att förhöja TV-högtalarnas ljud med ett bättre svar och definition. Men för att uppnå bäst prestanda av TVee, kanske du vill att dess ljud är högre än TV:ns. Följ nedanstående steg för att justera volymbalansen:

- 1 Lär TVee att svara på volymknapparna på din TV:s fjärrkontroll. (Se avsnittet "Att manövrera TVee" för ytterligare information om detta.)
- 2 Vrid ned volymen på TV:n helt genom att använda TV:ns kontrollknappar.
- 3 Använd volymknapparna på soundbar för att ställa in volymen på TVee på en normal lyssarnivå.

Efter denna justering ska TVee ha ett högre ljud än TV-högtalarna. Nu kan du använda TV:ns fjärrkontroll för att justera volymen på normalt vis.


## Att finstämna TVee

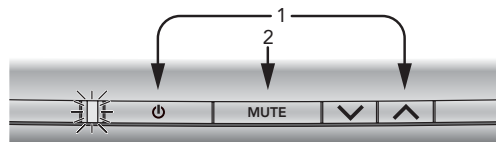
Nu när saker och ting fungerar är det dags att justera basenheten för att harmonisera den med soundbar-högtalarna så att systemet producerar det balanserade naturliga Bostonljudet. Starta med basenhetens volymkontroll i mitten av rotationen. Spela olika källor – musik, ett filmspår med dynamiska specialeffekter, talad dialog. Justera volymen upp och ned från startpunkten tills du får en inställning som återger ett naturligt ljud för alla typer av programmaterial.

## Att kontrollera TVee

Om du har anslutit TVee till en Tv, kabel- eller satellitbox och ändrar volymen med systemets fjärrkontroll, ändras inte volymen i TVee-systemet och TVee-utgången ansluts till en utgång med konstant nivå. Med en konstant utgång kan du programmera TVee att svara på fjärrkontrollskoderna för din TV:s fjärrkontroll eller andra fjärrkontroller att använda. Målet är att kunna använda en enda fjärrkontroll. Så här gör man:

Anta att du vill minneslagra "mute"-kommandot från din fjärrkontroll till TVee.

- 1 Tryck på knapparna ström och  "volymökning" tills statusindikatorn blinkar orange.
- 2 Tryck på knapparna du vill programmera för din fjärrkontroll – i detta exempel mute-knappen.
- 3 Rikta din fjärrkontroll på framsidan av TVee soundbar på ett avstånd av cirka 30 cm. Tryck på mute-knappen en hel sekund och släpp den sedan i en sekund. Upprepa denna sekvens med att trycka och släppa knappen tills statusindikatorn blir grön. TIPS: håll fjärrkontrollen stilla och tryck/släpp knappen långsamt för att vara säker på att TVee fångar upp fjärrsignalen.



Om TVee inte kan fånga upp fjärrsignalen inom 20 sekunder, blinkar statusindikatorn röd i ytterligare 20 sekunder och blir sedan grön igen. Upprepa steg 1-3 och var försiktig att hålla fjärrkontrollen stadig och trycka sakta på knappen. Upprepa processen för de andra knapparna på din fjärrkontroll som du vill minneslagra i TVee.

**Kom ihåg** – TVee kan lära sig att svara på nästan alla knappar i nästan alla fjärrkontroller. Du bestämmer själv vilken fjärrkontroll du vill använda – TV, satellitmottagare, kabelbox osv. – och lär TVee att svara på de önskade knapparna.

Om du gör något misstag eller vill avlägsna fjärrkontrollsprogrammeringen för TVee av något skäl, ska du trycka ned Mute- och volymsänkingsknapparna tills statusindikatorn blinkar rött och orange växelvis i några sekunder. **OBS:** detta avlägsnar **ALL** TVee fjärrkontrollsprogrammering för vissa TVee-knappar. Följ de tre stegen ovan för att skriva över den föregående programmeringen.

## Detaljer om TVee

När du har utfört den nödvändiga fjärrkontrollsprogrammeringen kan du i de flesta system bara luta dig tillbaka och njuta av ljudet. Men följande detaljer kan vara användbara eller intressanta att veta.

**Ström** – Strömbrytarna på baksidan av soundbar och basenheten kan lämnas på. TVee har ett automatiskt vänteläge för strömmen. Efter cirka 15 minuters inaktivitet stängs förstärkarna av. Så snart som en signal når ingångarna på TVee, sätts förstärkarna automatiskt på igen.

**Sladdlösa ID-brytare** – Både soundbar och basenheten har sladdlösa ID-brytare. De olika inställningar ändrar frekvensen på den sladdlösa signalen om soundbar skickar den till basenheten. De två strömbrytarna måste vara inställda i samma läge.

Vanligtvis behöver du aldrig justera dessa strömbrytare. Vad används de till? Om du har mer än ett TVEE-system hemma, kan du använda olika sladdlösa ID-omkopplarinställningar så att systemen inte stör varandra.

**Strömbrytare för finavstämning** – Denna strömbrytare ändrar ingångskänsligheten för TVEE. Om din TV:s uteffekt är för låg, kanske du behöver ställa in strömbrytaren för finavstämning på "1" för att uppnå en högre effekt. Omvänt, om förvrängning uppstår i ljudsignalen, kan du byta till inställningen "" för att minska effekten.

## Felsökning för TVEE

### Soundbar sätts inte på.

- Är elkontakten ansluten till ett fungerande vägguttag?
- Är elkontakten korrekt ansluten till soundbars strömingång?
- Är strömbrytaren på bakpanelen i läget "på"?

### Basenheten sätts inte på.

- Är basenheten ansluten till ett fungerande vägguttag?
- Är strömbrytaren på bakpanelen i läget "på"?
- Har säkringen bränts? Byt ut den med en av samma typ. Om den bränns snabbt igen, behöver apparaten kanske lämnas in för service.

### Inget ljud hörs från TVEE.

- Är signalingången ansluten till en utgång som tillhandahåller en signal?
- Är soundbar och basenheten försedda med ström och påkopplade?
- Öka volymen på TVEE soundbar.
- Öka volymen på TV:n eller kabelboxen som TVEE är ansluten till.
- Kontrollera Mute-status – blinkar statusindikatorn med ett grönt ljus? Tryck på Mute-knappen på Soundbar.

### Inget ljud hörs från basenheten.

- Kontrollera punkterna i "Basenheten sätts inte på" ovan.
- Öka volymkontrollens nivå.
- Försäkra dig om att de sladdlösa ID-strömbrytarna på soundbar och basenheten är inställda på samma nummer.

### Ljudet från soundbar är förvrängt.

- Ändra strömbrytarinställningen för finavstämning till ett högre nummer.
- Kontrollera signalkällan för att bekräfta att förvrängningen inte kommer därifrån.

### Basljudet är inte tillräckligt starkt.

- Öka basenhetens volymkontrollsnivå.
- Placera basenheten nära ett hörn i rummet.

### TVEE lär sig inte min fjärrkontrolls kommandon.

- Följ noga programmeringsanvisningarna.
- Håll fjärrkontrollen stadigt på ett avstånd på 30 cm från soundbar.
- Tryck och släpp knappen på fjärrkontrollen **långsamt!**
- Obs: TVEE lär sig nästan alla IR-kommandon, men vissa IR-protokoll kan inte programmeras.

### Det hörs ett smällande ljud när man sätter på TV:n.

- Programmera TVEE för påsättning och avstängning med strömbrytaren på din TV:s fjärrkontroll.

### Volymen i TV:ns högtalare är högre än TVEE-systemet.

- Då du håller volymknappen på fjärrkontrollen nedtryckt, kanske TV:ns volymnivå ändras snabbare än TVEE. Använd knapparna på soundbar för att justera volymen i TVEE för att uppnå en korrekt balans med TV:ns högtalare.

### Woofersystemet verkar störa den sladdlösa signalen.

- Försök ändra inställningarna för de sladdlösa ID-strömbrytarna på soundbar och basenheten.
- Basenheten kanske är för långt borta från soundbar för att uppnå en bra signal. Försök flytta den närmare.

## Begränsad garanti

Boston Acoustics ger den ursprungliga köparen garanti för att Tvee-systemet är utan fabrikationsfel i alla mekaniska delar för en period på fem år från inköpsdatumet. Garantiperioden för de elektriska beståndsdelarna i Tvee är ett år.

Ditt ansvar är att installera och använda produkten enligt anvisningarna som medföljer, att i förekommande fall tillhandahålla en säker och trygg transport till en serviceverkstad som auktoriserats av Boston Acoustics och uppvisa kvitto då du begär service.

Skador som uppstår på grund av felaktig användning, missbruk, felaktig installation, olyckor, transport eller reparationer/ändringar som utförs av annan än en serviceverkstad som auktoriserats av Boston Acoustics täcks inte av garantin.

Denna garanti är begränsad till produkter från Boston Acoustics och täcker inte skador på ansluten utrustning. Denna garanti täcker inte kostnader för avlägsnande eller återinstallation. Garantin annulleras om serienumret har avlägsnats eller suddats bort. Garantin ger dig specifika lagenliga rättigheter och du kan även ha andra rättigheter som varierar mellan olika länder.

## Om service verkar nödvändig

Kontakta i första hand återförsäljaren från vilken du köpte produkten. Om detta inte är möjligt, skriv till:

Boston Acoustics, Inc.  
300 Jubilee Drive  
Peabody, MA 01960 USA

Eller kontakta oss på vår e-postadress:  
support@bostona.com

Vi informerar dig snabbt om vilka åtgärder du ska vidta. Om du måste återlämna din Tvee till fabriken, ska du skicka den med frakten förbetald. Då den har reparerats återsänder vi den med frakten förbetald inom Förenta Staterna och Kanada.

Denna symbol som sitter på produkten indikerar att den inte får kastas bort tillsammans med hushållssoporna utan ska placeras i en separat uppsamlingscontainer för elektroniskt avfall eller återlämnas till återförsäljaren då du köper en liknande produkt. Tillverkaren har betalt för att återvinna produkten. Att göra detta bidrar till återanvändning och återvinning, minskar negativa effekter på miljön och människors hälsa och gör att man undviker eventuella böter för en felaktig bortkastning.





### Wichtige Sicherheitshinweise



Dieses Symbol auf dem Gerät weist auf gefährliche Stromspannungen hin



Dieses Symbol auf dem Gerät weist darauf hin, dass der Anwender alle Sicherheitshinweise dieser Anleitung lesen sollte.



Dieses Symbol auf dem Gerät weist auf doppelte Isolierung hin.



#### Warnung!

Zur Vermeidung von Bränden oder elektrischer Stromschläge setzen Sie das Gerät keinem Regen oder Feuchtigkeit aus.

1. Lesen Sie diese Anleitung
2. Verwahren Sie diese Anleitung
3. Beachten Sie alle Warnungen
4. Folgen Sie allen Anweisungen
5. Verwenden Sie dieses Gerät nicht in der Nähe von Wasser
6. Reinigen Sie es nur mit einem trockenen Tuch
7. Blockieren Sie keine Belüftungsöffnungen. Installieren Sie es nach den Anweisungen des Herstellers.
8. Installieren Sie es nicht in der Nähe von Wärmequellen wie Heizkörpern, Herdplatten oder anderen Geräten (einschließlich Verstärkern), die Wärme abgeben.
9. Missachten Sie nicht den Sicherheitszweck codierter oder erdbarer Stecker. Ein codierte Stecker hat zwei verschieden breite Pole. Ein erdbarer Stecker hat zwei Pole und einen dritten Stift, der zur Erdung dient. Dieser dient Ihrer Sicherheit. Falls der gelieferte Stecker nicht in Ihre Steckdose passt, lassen Sie die Steckdose durch einen Elektriker austauschen.
10. Treten Sie nicht auf das Netzkabel und knicken Sie es nicht, insbesondere nicht in der Nähe des Steckers, von Mehrfachsteckdosen und am Gehäuseaustritt.
11. Verwenden Sie nur vom Hersteller empfohlene Verlängerungen und anderes Zubehör.
12. Trennen Sie das Gerät vom Stromnetz bei Gewitter oder längerer Nichtbenutzung.
13. Wartungsarbeiten sollten nur von qualifiziertem Personal durchgeführt werden. Eine Wertung ist erforderlich, wenn das Gerät in irgendeiner Weise beschädigt wurde, falls beispielsweise ein Netzkabel oder Stecker beschädigt wurde, Flüssigkeit in das Gerät eingedrungen ist oder Objekte in das Gerät gefallen sind, das Gerät Regen oder Feuchtigkeit ausgesetzt war, nicht normal funktioniert oder zu Boden gefallen ist.
14. Achten Sie auf einen minimalen Abstand des Gerätes zu anderen Gegenständen und Wänden von 5 Zentimetern, um eine ausreichende Belüftung zu gewährleisten. Die Belüftung darf nicht durch Abdeckung der Belüftungsöffnungen durch Gegenstände wie Zeitungen, Tüchern Vorhängen etc beeinträchtigt werden.
15. Es sollten keine offenen Feuerquellen wie angezündete Kerzen auf das Gerät gestellt werden.
16. Das Gerät sollte keinem Spritzwasser ausgesetzt werden. Keine mit Flüssigkeit gefüllten Objekte wie Vasen sollten auf das Gerät gestellt werden.
17. Die Stromeingangsbuchse oder die Wandsteckdose des Gerätes sollten zugänglich bleiben, damit das Gerät vom Stromnetz getrennt werden kann.
18. Um das Gerät vollständig vom Stromnetz zu trennen ziehen Sie den Netzstecker des Netzteils aus der Steckdose.



Amerikanische Anwender:

**Hinweis:** Dieses Gerät wurde geprüft und entspricht den Beschränkungen für digitale Geräte der Klasse C, entsprechend den Regelungen in Teil 5 der FCC Regeln. Diese Beschränkungen dienen einem vernünftigen Schutz vor schädlichen Interferenzen bei Installation in einer Wohnumgebung. Dieses Gerät erzeugt, verwendet und sendet Strahlungsenergie aus, was bei unsachgemäßer Installation zu störenden Interferenzen mit dem Empfang von Radio- und Fernsehsendungen führen kann. Es kann jedoch nicht garantiert werden, dass bei einer gegebenen Installation keine Interferenzen auftreten. Falls dieses Gerät störende Interferenzen beim Radio- oder Fernsehempfang verursacht, was durch Ein- und Ausschalten des Gerätes festgestellt werden kann, sollte der Anwender versuchen, die Interferenzen durch eine oder mehrere der folgenden Maßnahmen zu unterbinden:

- Richten Sie die Empfangsantenne neu aus oder verändern Sie deren Standort.
- Vergrößern Sie den räumlichen Abstand zwischen dem Gerät und dem Empfänger.
- Schließen Sie das Gerät an einen von dem des Empfängers getrennten Stromkreis an.
- Ziehen den Händler oder einen erfahrenen Radio-Fernsehtechniker zu Rate.

**Achtung:** Unautorisierte Veränderungen oder Modifikationen am Ausrüstung können die Betriebserlaubnis des Ausrüstung erlöschen lassen.



Europäische Anwender:

RLAN - Radio Local Area Network Equipment

AT	CZ	FI	IS	LT	PT	SE	FR
BE	DK	DE	IE	MT	SK	CH	IT
EE	GR	LV	NL	SI	TR	LU	CY
HU	PL	ES	GB	NO			

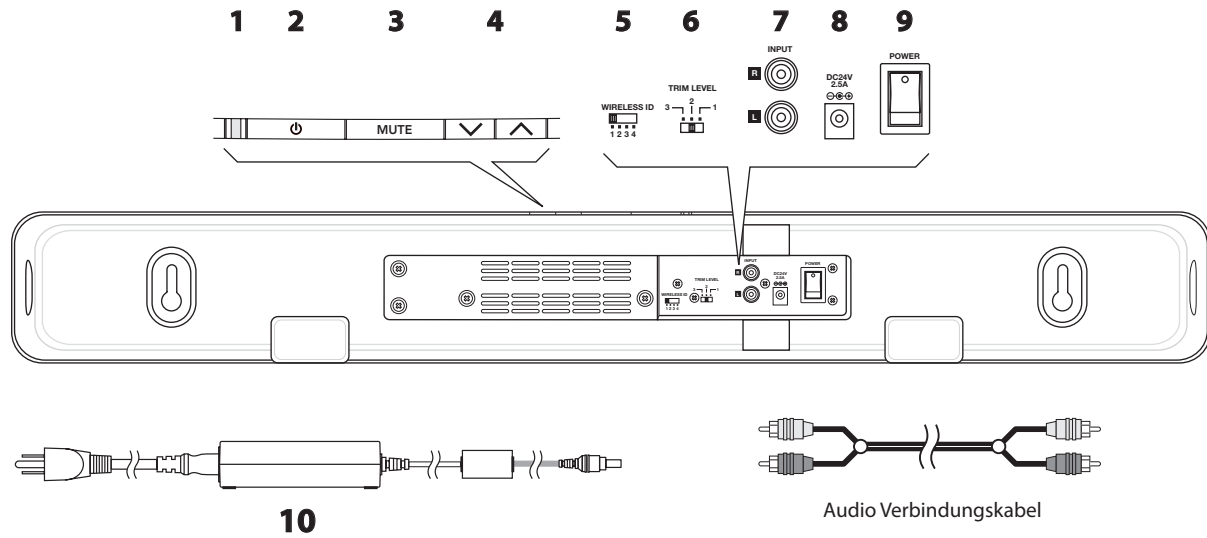
Denna utrustning får endast användas inomhus i Frankrike.  
Denna utrustning får endast användas i det egna hemmet i Italien.  
Denna utrustning är avsedd för privat användning och får inte användas inom 20 km från centrum i NY-Ålesund i Norge.

Dieses Gerät darf in Frankreich nur innerhalb geschlossener Räume verwendet werden.  
Dieses Gerät darf in Italien nur in eigenen Räumlichkeiten verwendet werden.  
Dieses Gerät darf in Luxemburg nur zu privaten Zwecken verwendet werden.  
Der Betrieb ist nicht erlaubt in einem Umkreis von 20 km um das Zentrum von Ny-Ålesund in Norwegen

Oliver Kriete  
Boston Acoustics, Division of D&M Europe B.V.  
Beerndstraat 11  
NL-5663 MA Eindhoven  
(Niederlande)



## The Parts of TVee

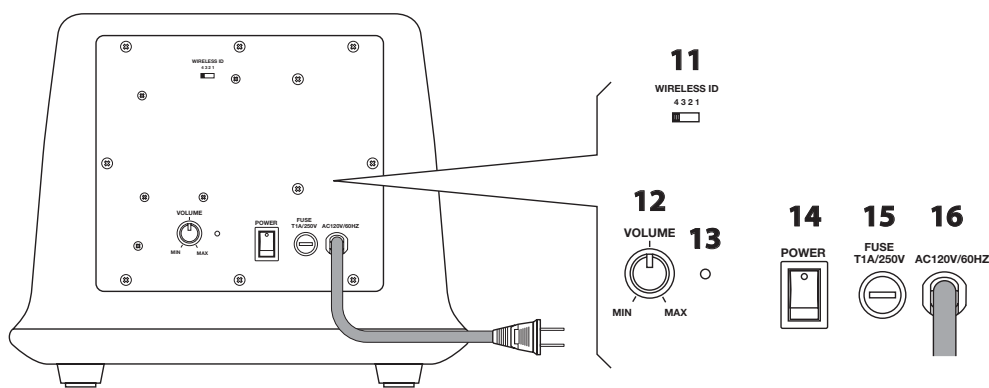


- 1** Status Anzeige – Leuchtet in verschiedenen Farben zur Anzeige des Betriebsstatus. Siehe Tabelle unten
- 2** Ein/Aus Schalter – Damit schalten Sie TVee manuell ein oder versetzen es in den Standby Modus.
- 3** Stumm-Schalter – schaltet Tvee vorübergehend stumm
- 4** Lautstärkeregler – Damit stellen Sie die Lautstärke des Tvee manuell ein.
- 5** Kanal-ID Schalter – Wählt den Kanal für das drahtlose Signal der Bass Einheit. Schalter **11** muss in der gleichen Position sein.
- 6** Schalter für die Eingangsempfindlichkeit – Damit stellen Sie die Eingangsempfindlichkeit des Tvee ein.
- 7** Eingänge – Diese empfangen das Eingangssignal des TVee. Siehe Abschnitt „Tvee anschließen“ für Details.
- 8** Netzstromeingang – Schließen Sie daran das Netzteil **10** an.
- 9** Ein/Aus Schalter – Schaltet die TVee soundbar an oder aus; kann normalerweise ständig eingeschaltet sein.
- 10** Stromversorgung / Netzteil – Liefert der Betriebsspannung für die soundbar. Schließen Sie es an eine Netzsteckdose an und verbinden Sie es mit dem Netzstromeingang **8**.



## Soundbar Status Indikator

<b>Grünes Dauerlicht</b>	Normaler Betriebszustand.
<b>Grünes Licht blinkt einmal</b>	Ein Signal der Fernbedienung wird empfangen.
<b>Oranges Blinklicht</b>	TVee ist im Lernmodus für Befehle von der Fernbedienung.
<b>Oranges Dauerlicht</b>	Der Kontrollschalter zum Lernen eines Befehls ist gesetzt. TVee wartet auf einen IR Befehl, der gelernt werden soll.
<b>Grünes Blinklicht</b>	TVee hat einen Befehl von der Fernbedienung gelernt.
<b>Rotes Blinklicht</b>	TVee konnte einen Befehl von der Fernbedienung nicht lernen.
<b>Oranges und rotes Blinklicht</b>	Zeigt an, dass die gelernten IR Codes gelöscht worden sind.



- 11** Kanal-ID Schalter – Wählt den Kanal für das drahtlose Signal der bass einheit. Schalter **5** muss in der gleichen Position sein.
- 12** Lautstärke – Regelt die Lautstärke der bass einheit zur Abstimmung mit der soundbar.
- 13** Status Anzeige – Leuchtet rot, wenn die bass einheit aktiv ist und grün, wenn sie im Standby Modus ist.
- 14** Ein/Aus Schalter – Schaltet die TVee bass einheit an oder aus; kann normalerweise ständig eingeschaltet sein.
- 15** Feinsicherung zum Schutz der Bass Einheit.
- 16** Stromversorgungskabel – Schließen Sie es an eine Netzsteckdose an.

## Daten / Abmessungen

<b>Leistungsaufnahme</b>	100 watts	
<b>Abmessungen</b> (H x B x L)	Soundbar	3¾ x 31 x 4" (93 x 788 x 102mm)
	Bass Einheit	9⅞ x 11½ x 11½" (240 x 292 x 292)
<b>Gewicht</b>	Soundbar	3.9kg
	Bass Einheit	5kg

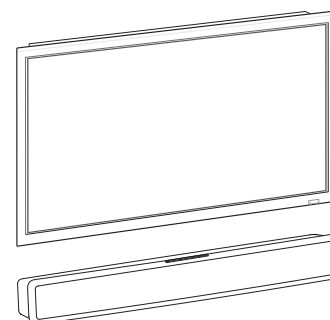
## Über TVee

Herzlichen Glückwunsch zur Auswahl von TVee als Ihr Home Entertainment System. TVee kombiniert den berühmten Boston Sound mit beispielloser Einfachheit der Benutzung. Vermittels zweier Komponenten bietet TVee ein Klangerlebnis, das Ihrem Fernsehgenuss eine neue Dimension hinzufügen. Kraftvolle Verstärker und 3D Sound stellen eine eindrucksvolle Leistung sicher. Dank der drahtlosen Verbindung zwischen soundbar und bass einheit ist Tvee kinderleicht einzurichten – die ideale Kombination von Leistung und Komfort. Falls gewünscht, kann TVee sogar Befehle von Ihrer Fernbedienung lernen. Das verschafft Ihnen maximalen Bedienungskomfort und völlig transparente Funktion.

## Tvee aufstellen

Wahrscheinlich sind Sie schon ungeduldig, Ihr TVee auszuprobieren, also fangen wir an: Zuerst müssen Sie die TVee Komponenten aufstellen. Die soundbar sollte in unmittelbarer Nähe des Fernsehbildschirms positioniert werden. Das kann vor dem Fernseher sein. Falls Ihr Fernsehgerät sich in einem Möbel befindet, das einen Regalboden oberhalb des Bildschirms hat, können Sie die soundbar darauf stellen. Vermeiden Sie jedoch Aufstellorte, die halb umschlossen sind. Das kann zu einer Verfälschung des natürlichen Raumklangs von TVee führen. An der Gehäuserückseite der Soundbar befinden sich Aufhängeöffnungen, vermittels derer das soundbargehäuse an der Wand befestigt werden kann.

Das Aufstellen der bass einheit ist noch einfacher. Sie kann sich an jeder beliebigen Stelle des Raumes befinden. Da sie ihr Signal drahtlos empfängt, brauchen Sie sich um Verbindungskabel und -Anschlüsse nicht zu kümmern. Schließen Sie sie einfach an eine Netzsteckdose an. Die Aufstellung in einer Ecke des Raums kann die Intensität des Basses verstärken.



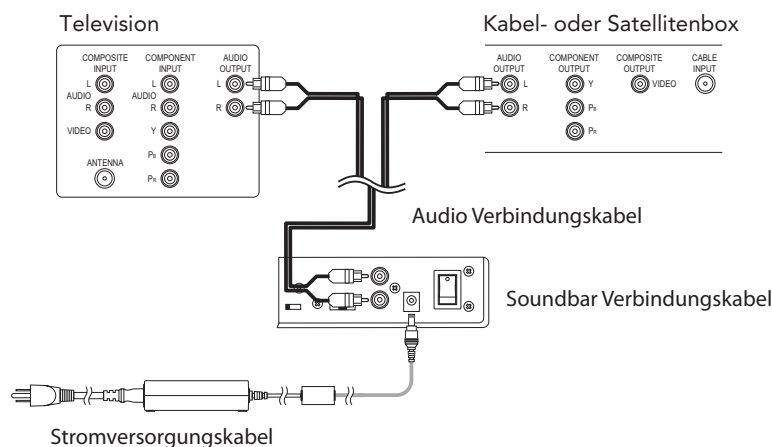


## TVEE anschließen

Als nächstes brauchen Sie ein Eingangssignal für die TVEE soundbar. Dazu genügt das mitgelieferte Audio Verbindungskabel. Es gibt zwei wahrscheinliche Quellen für ein Audiosignal – Ihr Fernsehgerät oder eine Kabel TV Verbindungsbox. (Ein Satellitenempfänger ist in diesem Zusammenhang dasselbe wie eine Kabelbox. Der Einfachheit halber nennen wir es Kabelbox, aber es kann eines der beiden Geräte sein.)

Der Vorteil eines von einer Kabelbox kommenden Signals ist der, dass die Einrichtung dann einfacher ist. Doch wenn Sie mehrere Signalquellen haben, z. B. einen zusätzlichen DVD Player, müssen das Signal vom Fernsehgerät beziehen, damit Sie den TVEE mit allen Ihren Medien genießen können.

Die bass einheit bekommt ein drahtloses Audiosignal von der soundbar – Sie brauchen sie nur an das Stromnetz anzuschließen.



## Starten Sie TVEE!

Jetzt kann der Spaß beginnen. Verbinden Sie das Netzteil mit der soundbar und schalten Sie sie ein; Schalten Sie auch die bass einheit ein. Schalten Sie die anderen Komponenten Ihres Systems ein und stellen Sie einen bekannten Kanal ein. Sie müssten dessen Ton nun über TVEE hören können. Falls nicht, stellen Sie die Lautstärke vermittels der Kontrollknöpfe höher ein.

Falls TVEE an das Fernsehgerät angeschlossen ist, stellen Sie die Lautstärke mit der Fernbedienung des Fernsehgeräts ein. Falls sich die Lautstärke verändert, so bedeutet dies, dass TVEE an einen „variablen“ Ausgang angeschlossen ist. Der Stummschalter der Fernbedienung des Fernsehgeräts müsste ebenfalls funktionieren. Das macht die Sache einfach: Ignorieren Sie den Abschnitt „Steuerung von TVEE“ auf der folgenden Seite.

Falls TVEE an das Fernsehgerät angeschlossen ist, können Sie wahrscheinlich auch die Fernsehlautsprecher hören. Bei den meisten modernen Fernsehgeräten können die internen Lautsprecher abgeschaltet werden. Es gibt Hunderte Modelle von Dutzenden Herstellern, es ist daher nicht möglich spezifische Anleitung zu geben, wie dies zu geschehen hat. Doch in den meisten Fällen ist die Prozedur sehr ähnlich.

Suchen Sie auf der Fernbedienung des Fernsehgeräts nach einem „Menü“ oder „Setup“ Knopf. Drücken Sie ihn, und es erscheint ein On-Screen Menü auf dem Bildschirm. Suchen Sie nach einer Option zur Einstellung der Audio Funktionen und wählen Sie diese aus. Aller Wahrscheinlichkeit nach finden Sie hier eine Möglichkeit, die internen Lautsprecher abzuschalten.

Es gibt kein Problem, falls Sie die internen Lautsprecher nicht abschalten können. TVEE verbessert den Klang der Lautsprecher Ihres Fernsehgeräts enorm durch intensiveren Sound und verbesserte Auflösung. Um jedoch das Beste aus TVEE herauszuholen, muss dieses lauter sein als die Lautsprecher des Fernsehgeräts. Durch folgende Schritte regeln Sie die Balance der Lautstärke:

- 1 Bringen Sie TVEE bei, auf den Lautstärkeregler der Fernbedienung Ihres Fernsehgeräts zu reagieren. (Siehe Abschnitt „Steuerung von TVEE“ für Details.)
- 2 Regeln Sie die Lautstärke des Fernsehgeräts mit dem Lautstärkeregler am Fernsehgerät vollständig herunter.
- 3 Verwenden Sie die Lautstärkeregler der soundbar, um die Lautstärke von TVEE auf normale Hör-Lautstärke zu regeln.



Nach diesen Einstellungen sollte TVee grundsätzlich lauter sein, als die Lautsprecher Ihres Fernsehgeräts. Benutzen Sie nun die Fernbedienung Ihres Fernsehgeräts, um die Lautstärke Ihren jeweiligen Wünschen anzupassen.

## Feineinstellung von TVee

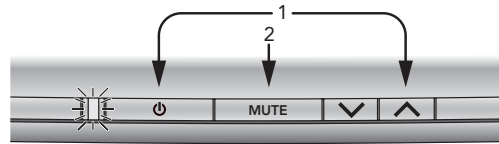
Nun, da im Prinzip alles funktioniert, wird es Zeit, die Bass-Einheit einzustellen, sie an die Lautsprecher der Soundbar anzupassen, damit das System den ausbalancierten, natürlichen Boston Sound liefert. Beginnen Sie, indem der Lautstärkeregler der Bass-Einheit sich in der Mitte seines Drehbereichs befindet. Spielen Sie nun verschiedene Tonquellen ab – Musik, einen Film Soundtrack mit dynamischen Spezialeffekten, gesprochene Dialoge. Regeln Sie die Lautstärke vom Ausgangspunkt auf und ab, bis Sie eine Einstellung gefunden haben, die für alle verschiedenen Tonmaterialien einen natürlichen Klang liefert.

## Steuerung von TV

Falls Sie TVee an ein Fernsehgerät, einen Kabel- oder Satellitenempfänger angeschlossen haben und eine Änderung der Lautstärke mit Ihrer System-Fernbedienung die Lautstärke von TVee nicht verändert, dann ist der Signaleingang von TVee an einen Ausgang mit konstantem Pegel angeschlossen. In diesem Fall werden Sie TVee so programmieren wollen, dass es auf die SteuerCodes der Fernbedienung Ihres Fernsehgeräts reagiert, oder auf irgendeine andere Fernbedienung, die Sie verwenden wollen. Es soll erreicht werden, dass Sie alles mit einer einzigen Fernbedienung steuern können. Und das geht folgendermaßen:

Angenommen, Sie wollen TVee den Befehl „stummschalten“ Ihrer Fernbedienung beibringen.

- 1 Drücken und halten Sie die Knöpfe „Power“ und „Lautstärke erhöhen“ gedrückt, bis die Status-Anzeige orange blinkt.
- 2 Drücken Sie den Knopf, auf den TVee in Zukunft reagieren soll – in diesem Beispiel den Knopf zur Stummschaltung.
- 3 Richten Sie die Fernbedienung aus einer Entfernung von etwa 30 Zentimetern auf die Vorderseite der Soundbar. Drücken und halten Sie den Knopf für die Stummschaltung eine volle Sekunde gedrückt, dann lassen Sie den Knopf eine volle Sekunde los. Wiederholen Sie diesen Drücken-und-Loslassen-Prozess, bis die Status-Anzeige auf grün umschaltet. TIP: Halten Sie die Fernbedienung ruhig und drücken Sie den Knopf langsam und lassen Sie ihn langsam wieder los, damit TVee das Signal der Fernbedienung sicher aufnehmen kann.



Falls TVee das Signal der Fernbedienung nach 20 Sekunden noch nicht aufnehmen kann, blinkt die Status-Anzeige weitere 20 Sekunden lang rot und schaltet dann auf grün. Wiederholen Sie die Schritte 1-3 und achten Sie darauf, die Fernbedienung ruhig zu halten und den Knopf langsam zu drücken. Wiederholen Sie die Prozedur für die anderen Funktionen auf Ihrer Fernbedienung, die Sie TVee beibringen wollen.

**Denken Sie daran** – TVee kann lernen, auf fast jeden Knopf fast jeder Fernbedienung zu reagieren. Sie entscheiden, welche Fernbedienung Sie verwenden wollen – die des Fernsehgeräts, des Satellitenempfängers, der Kabelbox usw. – und bringen TVee bei, auf die Knöpfe zu reagieren, die Sie benutzen wollen.

Falls Sie einen Fehler machen oder falls Sie die Programmierung von TVee aus irgendeinem Grund rückgängig machen wollen, halten Sie die Knöpfe „stummschalten“ und „Lautstärke leiser stellen“ gleichzeitig gedrückt, bis die Status-Anzeige 3 Sekunden lang rot/orange blinkt. HINWEIS: Dies löscht die **GESAMTE** Programmierung der TVee Fernbedienung. Falls Sie nur die Programmierung für einige der Funktionen ändern wollen, folgen Sie den oben beschriebenen Schritten, um die vorherige Programmierung zu überschreiben.

## TVee Details

In den meisten Fällen können Sie – nachdem Sie die gewünschte Programmierung vorgenommen haben – sich zurück lehnen und den Klang genießen. Gleichwohl können folgende Details nützlich oder von Interesse sein:

**Power** – Die Ein/Aus-Schalter an der Rückseite von Soundbar und Bass-Einheit können eingeschaltet bleiben. TVee verfügt über ein automatisches Standby-System. Nach etwa 15 Minuten Inaktivität schalten sich die Verstärker automatisch aus. Sobald ein Signal an den Eingängen von TVee festgestellt wird, schalten sich die Verstärker automatisch wieder ein.

**Kanal-ID-Schalter** – Soundbar und Bass-Einheit haben Kanal-ID-Schalter. Die verschiedenen Schalterstellungen bestimmen die Funkfrequenz, auf der die Soundbar-Signale an die Bass-Einheit sendet. Die beiden Schalter müssen sich in der gleichen





Position befinden. Normalerweise brauchen Sie diese Schalterstellungen nicht zu ändern. Wozu gibt es sie dann? Falls Sie mehr als ein Fernseh-System im Haus haben, können Sie eine andere Kanal-ID Einstellung verwenden, damit die Systeme sich nicht gegenseitig stören

**Schalter für die Eingangsempfindlichkeit** – Er verändert die Eingangsempfindlichkeit von TVee. Falls das Signal Ihres Fernsehgeräts zu schwach ist, müssen Sie den Schalter unter Umständen auf „1“ stellen, um es zu verstärken. Andererseits, wenn Sie ein verzerrtes Audiosignal hören, verwenden Sie die Stellung 3, um das Eingangssignal zu dämpfen.

## **TVEE Fehlerbehebung**

### **Soundbar schaltet sich nicht ein**

Ist das Netzteil mit einer Netzsteckdose verbunden?

Ist das Netzteil korrekt mit der Stromeingangsbuchse der soundbar verbunden?

Steht der Ein/Aus Schalter an der Rückseite der Soundbar auf „Ein“?

### **Bass Einheit schaltet sich nicht ein**

Ist die bass einheit mit einer Netzsteckdose verbunden?

Steht der Ein/Aus Schalter an der Rückseite der Bas Einheit auf „Ein“?

Ist die Sicherung durchgebrannt? Ersetzen Sie sie mit einer Sicherung desselben Typs.

Wenn auch diese schnell durchbrennt, muss die Bass Einheit möglicherweise gewartet werden.

### **Kein Ton**

Ist der Signaleingang an einen Signalausgang angeschlossen, der ein Signal liefert?

Erhalten soundbar und bass einheit Netzspannung, und sind beide eingeschaltet?

Regeln Sie die Lautstärke an der TVEE soundbar hoch.

Regeln Sie die Lautstärke des Fernsehgeräts oder der Kabelbox hoch, an die TVEE angeschlossen ist.

Überprüfen Sie den Status der Stummschaltung – blinkt die Status Anzeige grün?

Drücken Sie den Knopf zur Stummschaltung an der soundbar.

### **Kein Ton von der Bass Einheit**

Überprüfen Sie die Punkte des obigen Abschnitts „bass einheit schaltet sich nicht ein“.

Regeln Sie die Lautstärke hoch.

Überprüfen Sie, dass die Kanal-ID Schalter an soundbar und bass einheit in der gleichen Position stehen.

### **Verzerrter Klang aus der Soundbar**

Schalten Sie die Eingangsempfindlichkeitsschalter auf einen höheren Wert.

Überprüfen Sie die Signalquelle, um sicher zu stellen, dass die Verzerrung nicht von dort her stammt

### **Bass ist nicht laut genug**

Regeln Sie die Lautstärke der bass einheit hoch.

Positionieren Sie die bass einheit in einer Ecke des Raumes.

### **TVEE akzeptiert keine Programmierung durch meine Fernbedienung**

Folgen Sie der Anleitung genau.

Halten Sie die Fernbedienung ruhig in einem Abstand von etwa 30 Zentimetern zur Vorderseite der soundbar.

Drücken Sie die Knöpfe Ihrer Fernbedienung **langsam** und lassen Sie sie **langsam** los!

Hinweis: TVEE „lernt“ fast alle IR Befehle, aber manche IR Protokolle können nicht programmiert werden.

### **Es gibt ein „pop“ Geräusch, wenn ich mein Fernsehgerät ausschalte**

Programmieren Sie TVEE so, dass es sich durch den Ein/Aus Schalter der Fernbedienung Ihres Fernsehgeräts ein- und ausschaltet.

### **Die Lautsprecher meines Fernsehgeräts werden nach einiger Zeit lauter, als mein TVEE System**

Wenn der Lautstärkeknöpfe der Fernbedienung gedrückt werden, ändert Ihr Fernsehgerät evtl. seine Lautstärke schneller, als TVEE.

Regeln Sie die Lautstärke mit den Knöpfen an der soundbar, um die korrekte Balance mit den Lautsprechern Ihres Fernsehgeräts herzustellen

### **Der Basslautsprecher interferiert offenbar mit seinem drahtlosen Signal**

Verändern Sie die Einstellungen der Kanal-ID Schalter an soundbar und bass einheit.

Die bass einheit steht evtl. zu weit entfernt von der soundbar.



## Eingeschränkte Garantie

Boston Acoustics garantiert dem Erstkäufer unserer SoundWare Lautsprecher für einen Zeitraum von 5 Jahren ab Kaufdatum, dass diese frei sind von Materialfehlern und Verarbeitungsmängeln. Die Garantiezeit für die elektrischen Komponenten beträgt ein Jahr.

Ihre Verantwortung besteht darin, sie entsprechend der beigefügten Anleitung zu installieren und zu betreiben, sie sicher bei einer autorisierten Boston Acoustics Service-Vertretung anzuliefern und den Kauf durch Vorlage des Verkaufsbelegs nachzuweisen, falls Garantieleistungen in Anspruch genommen werden.

Von dieser Garantie ausgeschlossen sind Schäden, die auf Missbrauch, unsachgemäße Installation, Unfall, Fracht oder Reparaturen/Modifikationen zurückzuführen sind, die von jemand anderem als einer autorisierten Boston Acoustics Service-Vertretung durchgeführt wurden.

Diese Garantie ist auf das Boston Acoustics Produkt beschränkt und erstreckt sich nicht auf etwaige damit verbundene Anlagen. Diese Garantie erstreckt sich nicht auf die Kosten für Beseitigung oder Neuinstallation. Die Garantie ist verwirkt, falls die Seriennummer entfernt oder unleserlich ist. Diese Garantie räumt Ihnen besondere legale Rechte ein, und Sie haben unter Umständen weitere Rechte, die von Staat zu Staat variieren.

## Falls ein Kundendienst notwendig erscheint

Nehmen Sie zuerst Kontakt mit dem Händler auf, bei dem Sie das Produkt gekauft haben. Falls das nicht möglich ist, schreiben Sie an:

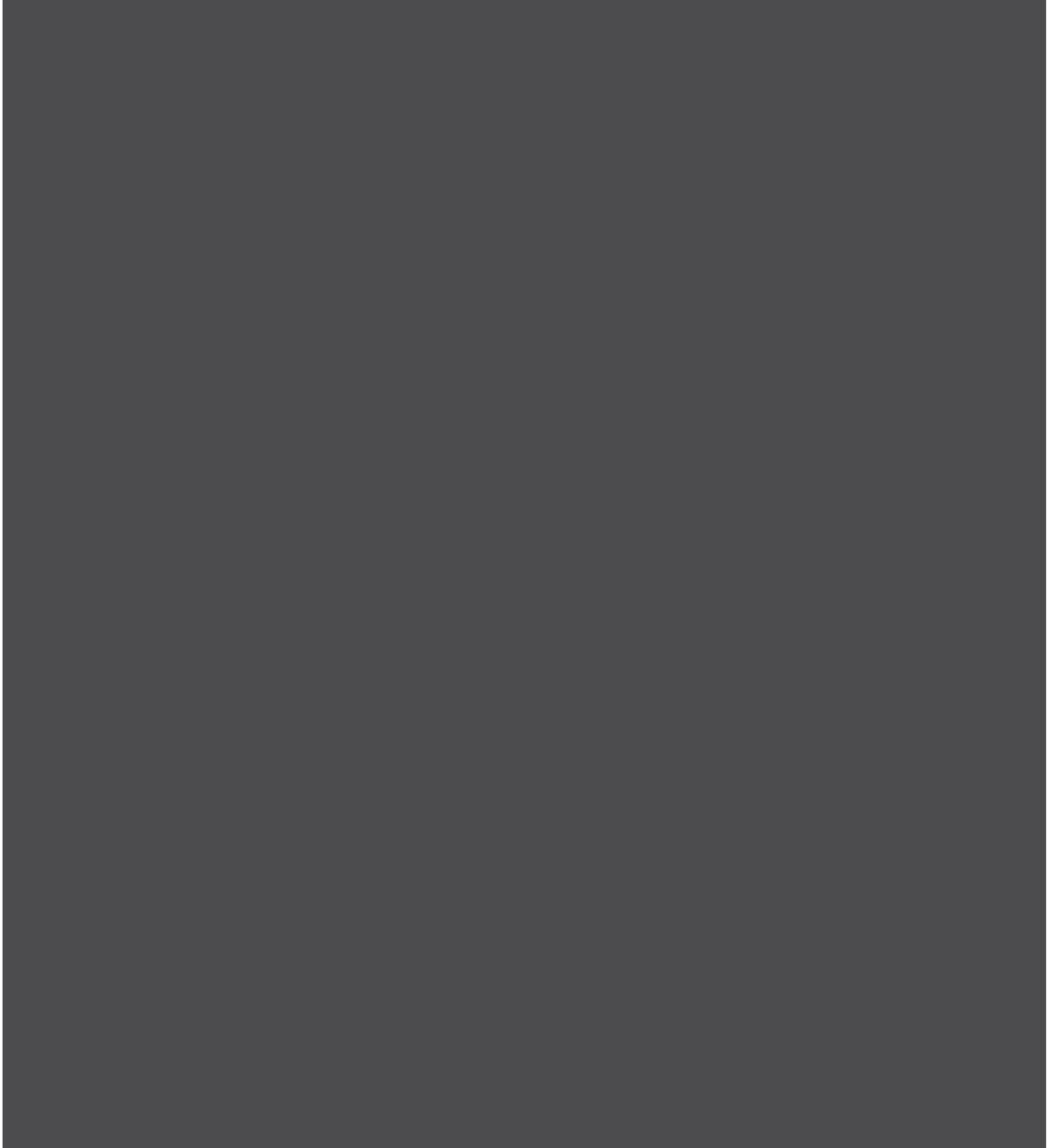
Boston Acoustics, Inc.  
300 Jubilee Drive  
Peabody, MA 01960 USA

Oder kontaktieren Sie uns per e-Mail unter:  
[support@bostona.com](mailto:support@bostona.com)



Wir werden Ihnen schnellstens mitteilen, wie Sie weiter vorgehen sollten. Falls es notwendig sein sollte, Ihre SoundWare Lautsprecher an den Hersteller einzusenden, so versenden Sie sie bitte frei. Nach Reparatur werden wir sie in den USA und Kanada ebenfalls frei zurück senden.

Dieses auf dem Produkt angebrachte Symbol weist darauf hin, dass das Produkt nicht mit dem Hausmüll entsorgt werden darf. Es muss bei einer Sammelstelle für Elektronikschrott abgegeben oder dem Händler übergeben werden, wenn ein ähnliches Produkt erworben wird. Der Hersteller hat für das Recycling dieses Produktes bezahlt. Dies trägt zur Wiederverwertung und zum Recycling bei minimiert schädliche Auswirkungen auf die Umwelt und die menschliche Gesundheit und vermeidet Geldbussen für unsachgemäße Entsorgung.



300 Jubilee Drive, Peabody, MA 01960 USA  
[www.bostonacoustics.com](http://www.bostonacoustics.com)

Boston, Boston Acoustics, and the Boston Acoustics logo are registered trademarks and TVee is a trademark of Boston Acoustics, Inc. Specifications are subject to change without notice.  
 © 2007 Boston Acoustics, Inc. 142-002882-0

