



TVee[®] Model 30

Television Entertainment Enhancement System

Español

Subwoofer de Sistema para realzar
la televisión y el entretenimiento
doméstico

Français

Système d'amélioration sonore pour
la télévision

IMPORTANT SAFETY INSTRUCTIONS



This symbol found on the apparatus indicates hazards arising from dangerous voltages.



This symbol found on the apparatus indicates the user should read all safety statements found in the user manual.



This symbol found on the apparatus indicates double insulation.



Warning!
To reduce the risk of fire or electrical shock, do not expose this apparatus to rain or moisture.

1. Read these instructions.
2. Keep these instructions.
3. Heed all warnings.
4. Follow all instructions.
5. Do not use this apparatus near water.
6. Clean only with dry cloth.
7. Do not block any ventilation openings. Install in accordance with the manufacturer's instructions.
8. Do not install near any heat sources such as radiators, heat registers, stoves, or other apparatus (including amplifiers) that produce heat.
9. Do not defeat the safety purpose of the polarized or grounding-type plug. A polarized plug has two blades with one wider than the other. A grounding-type plug has two blades and a third grounding prong. The wide blade or the third prong is provided for your safety. If the provided plug does not fit into your outlet, consult an electrician for replacement of the obsolete outlet.
10. Protect the power cord from being walked on or pinched particularly at plugs, convenience receptacles, and the point where they exit from the apparatus.
11. Only use attachments/accessories specified by the manufacturer.
12. Unplug this apparatus during lightning storms or when unused for long periods of time.
13. Refer all servicing to qualified service personnel. Servicing is required when the apparatus has been damaged in any way, such as power-supply cord or plug is damaged, liquid has been spilled or objects have fallen into the apparatus, the apparatus has been exposed to rain or moisture, does not operate normally, or has been dropped.
14. Maintain a minimum distance of 2" (50mm) around the front, rear, and sides of the apparatus for sufficient ventilation. The ventilation should not be impeded by covering the ventilation openings or placing on or around the apparatus items such as newspapers, table-cloths, curtains, etc.
15. No open flame sources, such as lighted candles, should be placed on the apparatus.
16. The apparatus shall not be exposed to dripping or splashing. No objects filled with liquids, such as vases, shall be placed on the apparatus.
17. Either the power inlet connector on the rear of the apparatus or the power plug at the wall must remain accessible, to be able to disconnect power from the apparatus.
18. To completely disconnect this apparatus from the AC Mains, disconnect the power supply cord plug from the AC receptacle.



American Users:

Note: This equipment has been tested and found to comply with the limits for a Class B digital device, pursuant to part 15 of the FCC Rules. These limits are designed to provide reasonable protection against harmful interference in a residential installation. This equipment generates, uses, and can radiate radio frequency energy and, if not installed and used in accordance with the instructions, may cause harmful interference to radio communications. However, there is no guarantee that interference will not occur in a particular installation. If this equipment does cause harmful interference to radio or television reception, which can be determined by turning the equipment off and on, the user is encouraged to try to correct the interference by one or more of the following measures:

- Reorient or relocate the receiving antenna.
- Increase the separation between the equipment and receiver.
- Connect the equipment into an outlet on a circuit different from that to which the receiver is connected.
- Consult the dealer or an experienced radio/TV technician for help.

Caution: Unauthorized changes or modifications to the receiver could void the user's authority to operate the equipment.



Canadian Users:

This class B digital apparatus complies with Canadian ICES-003. Cet appareil numérique de classe B est conforme à la norme NMB-003 du Canada.



European Users:

RLAN - Radio Local Area Network Equipment

AT	CZ	FI	IS	LT	PT	SE	FR
BE	DK	DE	IE	MT	SK	CH	IT
EE	GR	LV	NL	SI	TR	LU	CY
HU	PL	ES	GB	NO			

This equipment may only be used indoors in FR.
This equipment may only be used in one's own premises in IT.
This equipment is for private use only in LU
Operation is not allowed within a radius of 20 km from the centre of Ny-Ålesund in NO.

Hereby, Boston Acoustics, Inc. 300 Jubilee Drive, Peabody, MA 01960 USA, declares that this TVee Model 30 is in compliance with the essential requirements and other relevant provisions of Directive 1999/5/EC. A copy of the Declaration of Conformity (DOC) may be obtained from:

Oliver Kriete
Boston Acoustics, Division of D&M Europe B.V.
Beemdstraat 11
5653 MA Eindhoven
The Netherlands



Manufactured under license from Dolby Laboratories.
Dolby and the double-D symbol are trademarks of Dolby Laboratories.

Introduction

Thanks for choosing Boston Acoustics and selecting the TVee Model 30 as your home entertainment system. This manual includes important information on setting up and using your new system, as well as troubleshooting information in case you have any difficulties.

Smart Features:

- Easy one wire hookup & wireless subwoofer
- Soundbar learns your existing remote control
- Better movies, sports, and games
- Better music with dedicated mode
- Bluetooth enabled for music streaming

Additional Smart Features Include:

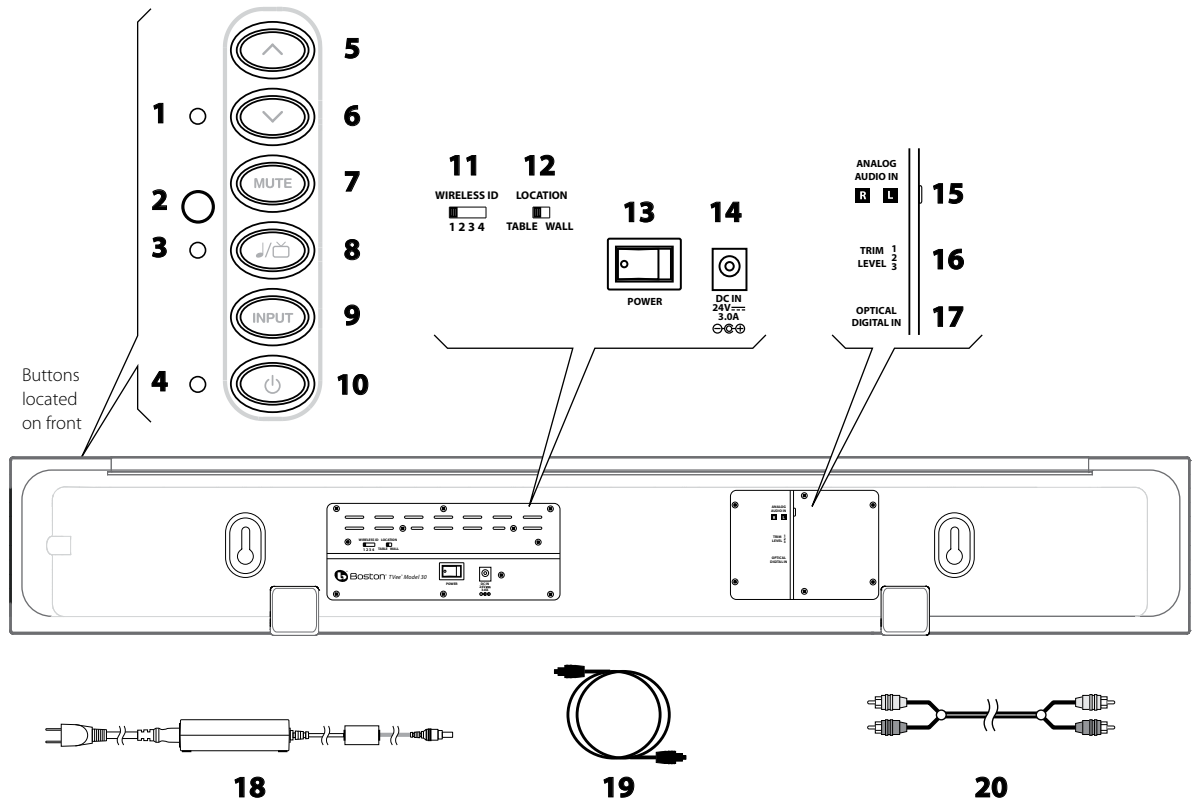
- Boston-engineered with best-in-class performance
- Simple and Functional design to fit with any TV
- Wireless subwoofer can be positioned both horizontally and vertically
- Digital input features Dolby Digital decoding for superior surround sound and a dedicated center channel provides clear dialogue
- Boston's Digitally Optimized Virtual Surround processing for pinpoint, theater-like surround effects
- Exclusive Boston DSP Control Switch to maximize performance based on soundbar placement
- Side-mounted mini-stereo AUX input to connect your portable media device

Specifications

System Power:	300 watts peak	
Frequency Range:	35Hz to 20kHz	
Soundbar Woofers:	Triple 3½" FCCM woofers	
Soundbar Tweeters:	Triple ¾" tweeters	
Subwoofer:	7" FCCM woofer	
Wireless Technologies:	5.8 GHz frequency hopping (subwoofer) supports Bluetooth v2.1 + EDR, A2DP v1.2	
Dimensions: (H x W x D)	Soundbar Subwoofer	5¾ x 38½ x 3¾" (146 x 966 x 80mm) 14¾ x 6¾ x 15¾" (364 x 160 x 395mm)
Weight:	Soundbar Subwoofer	6.7 lbs (3.0kg) 17 lbs (7.7kg)

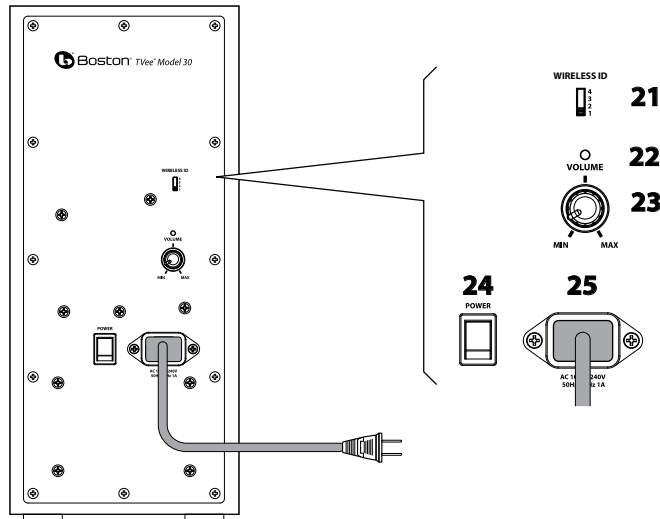


Soundbar



- 1 Input Mode Light** – Lights in various colors to indicate which input is playing.
- 2 IR Remote Receiver** – Receives remote commands to control the system.
- 3 Music/Movie Mode Light** – Lights in various colors to indicate which playing mode is operating.
- 4 Power/Remote Mode Light** – Lights in various colors to indicate operating status.
- 5 Volume Up Button** – Lets you manually adjust the volume of the TVee.
- 6 Volume Down Button** – Lets you manually adjust the volume of the TVee.
- 7 Mute Button** – Lets you temporarily mute TVee.
- 8 Music/Movie Button** – Selects the style of sound you want to hear. Music mode is for music and Movie mode is for movies and television.
- 9 Input Button** – Selects which input source is playing.
- 10 Power Button** – Lets you manually activate TVee or put it in standby mode.
- 11 Wireless ID Switch** – Selects the “channel” for the wireless subwoofer signal. Set **21** in the same position (see next page).
- 12 Location Switch** – Use WALL for wall mounting or TABLE for placement on a shelf, cabinet, or table.
- 13 Power ON/OFF Switch** – Turns the TVee soundbar on or off. Normally it is on all the time.
- 14 Power Input** – Connect the power supply **18** here.
- 15 Analog Audio In** – Receives analog audio inputs through the included Audio Connection Cable **20**.
- 16 Trim Level** – Adjusts the input sensitivity of TVee.
- 17 Optical Digital In** – The preferred input for the TVee using the supplied Optical cable **19**.
- 18 Power Supply** – Provides power to the soundbar. Plug it into the wall and connect it to the power input **14**.
- 19 Optical Digital Cable** – Best choice for connecting digital audio sources to TVee.
- 20 Audio Connection Cable** – Analog cable for connecting to an audio source.

Subwoofer



- 21 Wireless ID Switch** – Selects the “channel” for the wireless subwoofer signal. Set in the same position as **11** (see previous page).
- 22 Status Indicator** – Lights green when the subwoofer is active and red when it is standby mode.
- 23 Volume** – Adjusts the volume of the subwoofer for best balance with the soundbar.
- 24 Power On/Off Switch** – Turns the TVee subwoofer on or off. Normally it is left on all the time.
- 25 Power Cord**– Plug it into an AC outlet.

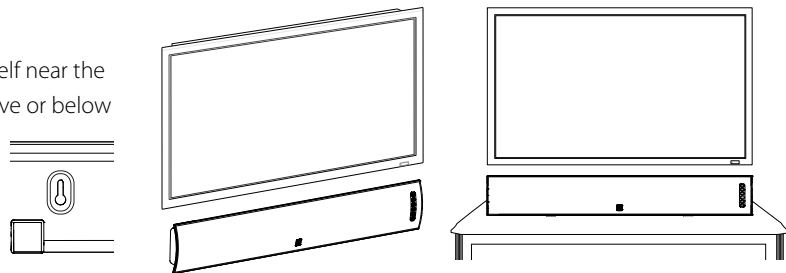
Place Your System

Decide on the location and position of the system before making any connections.

Soundbar Location

Place the soundbar on a table surface or shelf near the television, or wall-mount the soundbar above or below the television.

Keyhole mounts on the rear of the soundbar permit wall mounting.*



Wall-Mounting

The TVee Model 30 soundbar can be wall-mounted using the integrated keyhole mounts. A mounting template can be found in the inner flap of the product carton. Using a level tool, position and tape the template to the wall in the desired location. The template is designed to allow enough room for the grille and keyhole mounts when the soundbar is mounted below a TV.

Install hardware* using the template as a guide and then remove the mounting template from the wall. Connect your audio and power cables prior to mounting the soundbar on the wall. Place the grille on the soundbar after mounting.

*Consult a person knowledgeable about your wall type to recommend suitable hardware for hanging the speaker. You can remove the rubber feet before hanging the speaker on the wall. Usually it is best to leave soundbar off the wall until connections are made.

Set the rear panel **LOCATION 12** switch to match how the soundbar is placed. Use **WALL** for wall mounting and **TABLE** for placement on a shelf, cabinet, or table.

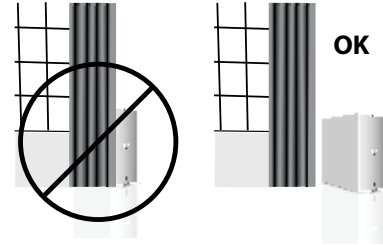
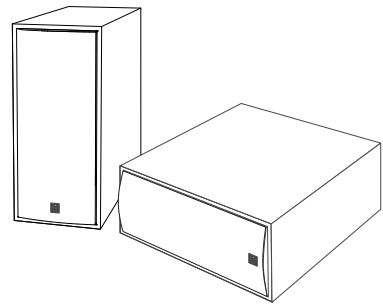


Subwoofer Location

Place the wireless subwoofer anywhere in the room. For the best sound, place the subwoofer near a wall or corner within 20 feet (6 meters) of the soundbar on the same side of the room as the soundbar. The wireless subwoofer range is 50 feet (15 meters).

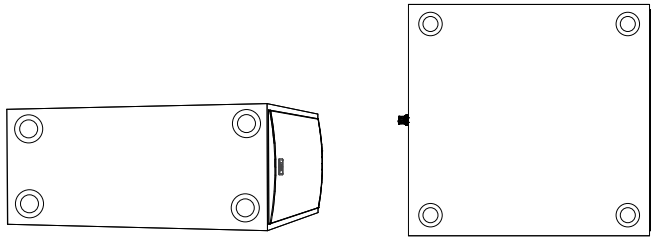
The subwoofer may be placed vertically or horizontally under a bed or other furniture, or on a shelf.*

*Be careful to avoid obstructing the grille, where the sound comes out. Also, avoid placing the subwoofer in a position where curtains or blankets obstruct airflow around the rear panel.



Subwoofer Feet Location

Attach the included self adhesive rubber feet to prevent vibration against the floor.



Connect your system

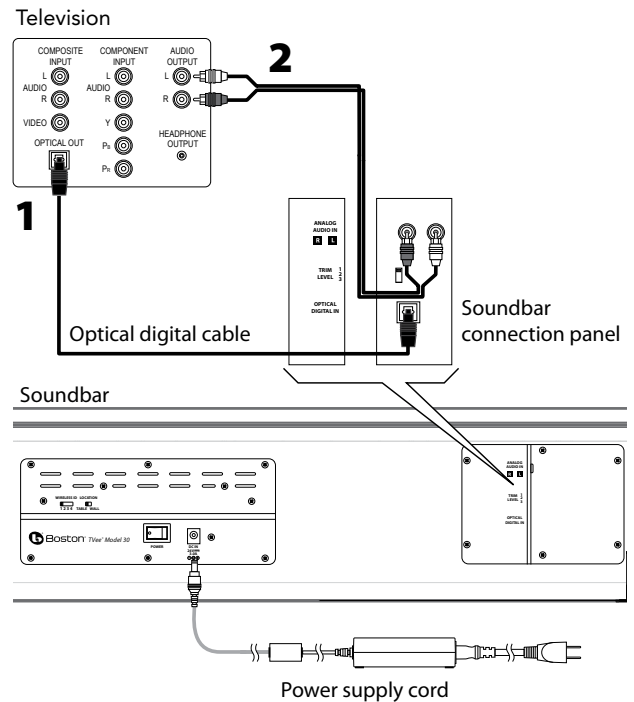
Next you need to get an input signal from your TV into the TVee soundbar.

Option 1

Optical digital cable. **Note:** The optical cable is a glass fiber; be careful to avoid kinking the cable.

Option 2

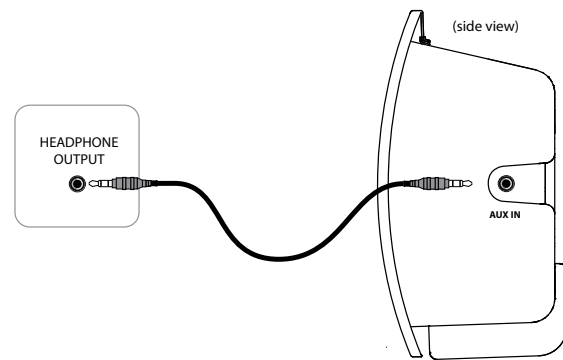
RCA stereo audio cable.



Using the side panel Auxiliary Input

Use the side panel mini plug AUX INPUT to connect a portable media device.*

*When a cable is inserted into the AUX INPUT, the rear panel Analog audio input is muted, and the Aux Input is played (input mode light is red).

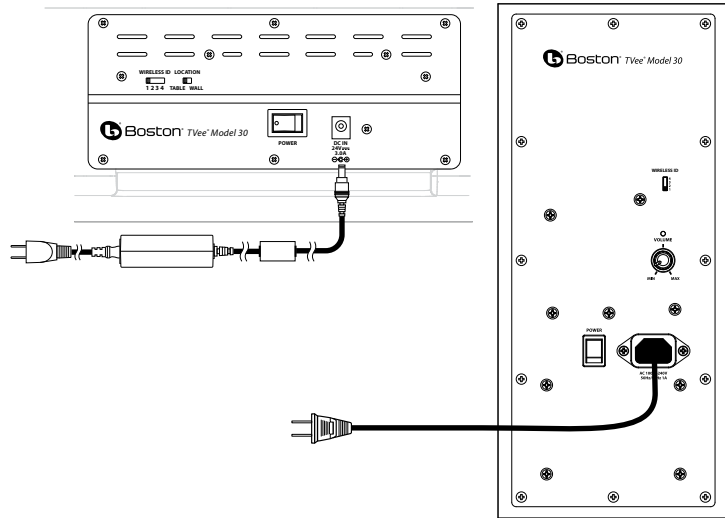


Connect Power

1. Connect the soundbar power supply and power cord to the soundbar. Connect the subwoofer power cord to the subwoofer. Plug both into AC power outlets.

2. Turn ON the rear panel power switches on the soundbar and subwoofer. The wireless subwoofer connects to the soundbar automatically.

If you plan to use more than one TVee system, please refer to the Wireless ID section on page 9.



Turn on the system

Use the front panel Power Button **10** to turn on the system. The system will **automatically** turn on when audio is playing the analog or optical digital input. The Power/Remote light indicates green when the system is turned on, and red when the system is turned off.

Power/Remote Light (4)

Green: Power on.

Red: Power off.

Note: The lights only illuminate temporarily to show a mode or function change.

How do I watch TV?

Select an input

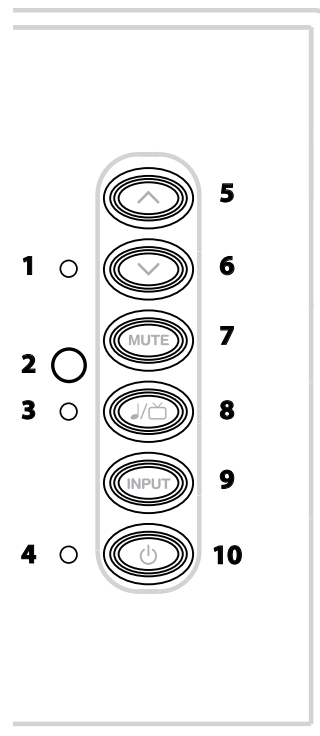
Use the front panel Input Button **9** to choose an input. Each time the button is pressed, the input changes in sequence from optical digital input to analog audio input to Bluetooth input back to optical digital. The color of the Input Mode Light indicates which input is selected.

Input Mode Light (3)

Green: Optical Digital Input is selected.

Red: Analog Input is selected.

Blue: Bluetooth Input is selected.



Adjust the Volume

Use the front panel volume up and down buttons to adjust the volume. Use the mute button to mute the audio. To cancel audio muting, push the mute, volume up, or volume down buttons.

Power/Remote Mode Light

Green Blinking: Mute mode is on.

Music / Movie selection

Use the front panel music/movie button to choose the style of sound you **want** to hear. Movie mode is like a movie theater or surround sound system and has a wide, spacious sound. For enhanced playback of music, the Music mode is like a traditional stereo music system, optimized for pure audio accuracy. Either mode can be used for any type of input or audio.

The system will remember whatever mode was last chosen for each input. This is convenient, because you can use Movie Mode for the digital audio input (television) and music mode for Bluetooth (music from a portable device).

Music/Movie Mode light:

Green: Playing in Movie Mode.

Orange: Playing in Music Mode.

Adjusting the subwoofer sound level

Use the volume knob on the rear of the subwoofer to adjust its sound output level. In many rooms, setting between 10 and 2 o'clock will sound good. Once set, you typically won't need to adjust this control.



Programming your Soundbar

A Press and hold Power and Volume Up buttons simultaneously on the soundbar for 3 seconds until the Power/Remote Mode light **4** light flashes orange.

B Press Volume Up button on soundbar until light turns solid orange.

C Hold your remote 1 ft (30cm) pointing to soundbar's button area, Press Volume Up button on your remote 4 times until light flashes green.

Repeat Steps **A** to **C** to set up Volume Down, MUTE, Power, Input, and Music/Movie buttons.

Attention cable/satellite users: If you have trouble programming, some cable/satellite remotes may require you to initiate programming using your original television remote. After programming is complete using your original television remote you can begin using your cable/satellite remote to control your soundbar.



Using the wireless features of your system

Bluetooth Input

Use the Bluetooth wireless input to receive music or any audio from a compatible Bluetooth device, such as a smartphone or computer. The device must be capable of transmitting audio with the Bluetooth A2DP (Advanced Audio Distribution Profile).

Pairing TVee to a Compatible Bluetooth Device

Use the Input Button to select the Bluetooth input, indicated by the Input Mode light being blue. If no device has been previously paired, TVee will automatically enter the pairing mode, and the Input Mode light will blink blue. Set the Bluetooth device to pairing or discovery mode (check device's user manual for instructions). On your Bluetooth device, TVee will be listed as "TVee M30." If your device requests a pairing code, enter the number **0000**. Once paired, the Input Mode light will be solid blue for several seconds.

TVee can be paired to more than one device (although only one such device can play music via Bluetooth at a time). To pair additional devices, first use the Input Button to select the Bluetooth input. Then press and hold the Input and Mute buttons at the same time for 3 seconds. Pairing mode will be started as above, indicated by a blinking blue light.

Using Your Compatible Bluetooth Device with TVee

After at least one device has been paired to TVee, TVee will automatically search for available paired devices when you choose the Bluetooth input (indicated by a slow flashing blue light). Typically a smartphone or computer will need to be in a music-playing mode (like the iPod or iTunes mode) before TVee will link and play the music. Once linked to one Bluetooth source, TVee will stay linked to that device until the device is turned off, moved out of range, or Bluetooth is disabled on the device. If you want to change to another Bluetooth source device, you will need to stop the Bluetooth link (by changing to a non-Bluetooth input on TVee AND disabling Bluetooth on the connected device). Then you can select the Bluetooth input on TVee again, and link to the second device.

Note: If TVee loses its connection with a source Bluetooth device while in Bluetooth mode, TVee will try to reconnect for 5 minutes, indicated by a slow flashing blue light. Typically this will allow a smartphone user to move out of range and then return, and have TVee re-link and continue to play music.

The typical receiving range for Bluetooth is 40 ft. (12 meters) or less. This depends on the source Bluetooth device, as well as other devices that share the same broadcast frequencies such as Wi-Fi and microwave ovens.

Wireless ID Switch

The wireless subwoofer connects to the soundbar automatically. Both the soundbar and the wireless subwoofer have a Wireless ID switch located on the back panel. These switches need to be set to the same number. If you are using more than one TVee system in your home, change the second system to a different ID number to keep the wireless transmissions separate.



The subwoofer must be placed within 50 feet (15m) of the soundbar to connect wirelessly. Closer placement ensures the most reliable connection.

The subwoofer light is green when switched on and connected wirelessly. The subwoofer enters standby mode if it does not play sound for several minutes, and in standby mode the light is red. If the light blinks green, the wireless link is not connected, and the subwoofer is attempting to reconnect. Check to make sure the subwoofer wireless ID switch is set to the same number as the soundbar wireless ID switch, and see the troubleshooting section of this manual for other suggestions.

Troubleshooting TVee

Soundbar does not power on.

- Is the power supply plugged into a live wall outlet?
- Is the power supply properly connected to the soundbar power input?
- Is the rear panel power switch in the “on” position?
- Is the fuse blown? Replace it with the same type. If it quickly blows again the unit may need service.

No sound from TVee Soundbar.

- Is the soundbar connected to an audio source that is playing audio through its output?
- Is the soundbar set to the correct input source?
- Are the soundbar and subwoofer receiving power and turned on?
- Turn up the volume of the TVee soundbar.
- Turn up the volume of the television or cable box TVee is connected to.
- Check Mute status – is the status indicator blinking green? Press the Mute button on the soundbar.
- For digital TVs or other digital sources, make sure the output format is set to “Dolby Digital.” (See the source product’s set-up menu)
- For digital sources, make sure the optical cable is not kinked or broken. (This stops the digital light signal)
- For analog sources connected to the rear panel RCA jacks, make sure a cable is not inserted into the Aux Input in the side panel.

No Sound from the Subwoofer.

- Check the points in the “Soundbar does not power on,” section above.
- Turn up the volume control.
- Check that the wireless ID setting is the same on the soundbar.
- Move the subwoofer closer to the soundbar.

Distorted sound from the Soundbar.

- Change the Trim Level switch setting to a higher number. (Analog input only)
- Check the signal source to be sure the distortion is not originating there.

Bass not loud enough.

- Turn up the subwoofer Volume control.
- Place the subwoofer closer to a corner in the room.
- Check that the wireless ID setting is the same on the soundbar.
- Some televisions and cable boxes have a mode that limits the bass. Check that product’s audio set-up menu and set the audio mode to “wide” rather than “normal” or “narrow.”

TVee won’t learn my remote control commands.

- Carefully follow the programming instructions.
- Hold the remote steady and 12 inches from the front of the soundbar.
- Press and release the remote control buttons **s l o w l y !**
- Check the remote control’s batteries.

Note: TVee learns almost all IR commands, but some IR protocols cannot be programmed.

There is a “pop” noise when I turn off my television.

- Program TVee to be turned on and off with the power button on your television remote control.

Volume of my television speakers gets louder than my TVee system over time.

- When the remote control volume button is held down your television may change volume levels faster than TVee.
- Use the buttons on the soundbar to adjust the volume of the TVee to the correct balance with the television speakers.
- If possible, use the television’s set up menu to mute the television’s own speakers.

The woofer seems to have interference with its wireless signal.

- Try changing settings of the Wireless ID switches on both the soundbar and subwoofer.
- The subwoofer could be too far from the soundbar to get a good signal. Try moving it closer.

Bluetooth input will not pair with a source Bluetooth device.

- Make sure TVee is in Bluetooth pairing mode. (See instructions on the previous page.)
- Make sure your Bluetooth source device is in Bluetooth pairing mode. (See instructions for that product.)
- Make sure your Bluetooth source device supports A2DP (Advanced Audio Distribution Profile). Note that some products with Bluetooth only work with Bluetooth keyboards or headsets but may not have A2DP.

- Make sure your Bluetooth source is within 10ft (3m) during the pairing process.
- Turn the Bluetooth device off and on (complete power off and reboot) and try to pair again.

Bluetooth input will not play a Bluetooth source that has already been paired.

- Make sure TVee is not linked to a different Bluetooth source device.
- Make sure your desired Bluetooth source device is playing music or some audio source.
- Note that some programs and apps may not support Bluetooth audio broadcast out of your source device. (If you are unsure, consult the instructions for the program or app.)
- Move possible sources of interference, particularly those operating at 2.4 GHz (Wi-Fi, microwave ovens, cordless phones.)

Limited Warranty

Boston Acoustics warrants to the original purchaser of our TVee system that it will be free of defects in materials and workmanship in its mechanical parts for a period of 5 years from the date of purchase. The warranty period for the electrical components of TVee is 1 year.

Your responsibilities are to install and use them according to the instructions supplied, to provide safe and secure transportation to an authorized Boston Acoustics service representative, and to present proof of purchase in the form of your sales slip when requesting service.

Excluded from this warranty is damage that results from abuse, misuse, improper installation, accidents, shipping, or repairs/modifications by anyone other than an authorized Boston Acoustics service representative.

This warranty is limited to the Boston Acoustics product and does not cover damage to any associated equipment. This warranty does not cover the cost of removal or reinstallation. This warranty is void if the serial number has been removed or defaced. This warranty gives you specific legal rights, and you may also have other rights which vary from state to state.

If Service Seems Necessary

United States

First, contact the dealer from whom you purchased the product. If that is not possible, send an email to: support@bostona.com or write to:

Boston Acoustics, Inc.
100 Corporate Drive
Mahwah, NJ 07490 USA

Canada

First, contact the dealer from whom you purchased the product. If that is not possible, send an email to: support@dmcanada.ca or write to:

D&M Canada
5-505 Apple Creek Blvd
Markham, ON L3R 5B1

All Other Countries

Contact the dealer from whom you purchased the product or contact your local distributor.

For more information, please visit bostonacoustics.com/support



This symbol found on the product indicates that the product must not be disposed of with household waste. Instead, it may be placed in a separate collection facility for electronic waste or returned to a retailer when purchasing similar product. The producer paid to recycle this product. Doing this contributes to reuse and recycling, minimizes adverse effects on the environment and human health and avoids any fines for incorrect disposal.

INSTRUCCIONES DE SEGURIDAD IMPORTANTES



Este símbolo que aparece en el aparato indica peligros derivados de tensiones peligrosas.



Este símbolo que aparece en el aparato indica que el usuario debe leer todos los avisos de seguridad del manual del usuario.



Este símbolo que aparece en el aparato indica doble aislación.



¡Advertencia!
Para reducir el riesgo de incendio o choque eléctrico, no exponga el aparato a la lluvia o a la humedad.

1. Lea estas instrucciones.
2. Guarde estas instrucciones.
3. Preste atención a todas las advertencias.
4. Siga todas las instrucciones.
5. No use este aparato cerca de agua.
6. Limpie únicamente con un paño seco.
7. No obstruya las aberturas para ventilación. Instale de acuerdo con las instrucciones del fabricante.
8. No instale cerca de fuentes de calor como radiadores, rejillas de calefacción, estufas u otros aparatos (incluidos amplificadores) que emitan calor.
9. No anule el propósito de seguridad del enchufe polarizado o de puesta a tierra. Un enchufe polarizado tiene dos patas, una más ancha que la otra. Un enchufe de puesta a tierra tiene dos patas y una tercera de puesta a tierra. La pata ancha o la tercera pata es para su seguridad. Si el enchufe provisto no encaja en el toma, consulte a un electricista para reemplazar el toma obsoleto.
10. Proteja el cable de alimentación para que no se pise ni se apriete, especialmente en los enchufes, en los receptáculos, y en el punto donde salen del aparato.
11. Utilice únicamente aditamentos o accesorios especificados por el fabricante.
12. Desenchufe el aparato durante tormentas eléctricas o cuando no se lo utilice durante períodos largos.
13. Toda la asistencia técnica debe ser realizada por personal de servicio calificado. Se requiere asistencia técnica cuando el aparato se ha deteriorado de cualquier manera; por ejemplo: se ha dañado el cable de alimentación o el enchufe, se ha derramado un líquido o caído un objeto dentro del aparato, se ha expuesto el aparato a la lluvia o la humedad, el aparato no funciona normalmente o se ha caído.
14. Mantenga una distancia mínima de 2" (50mm) en el frente, la parte posterior y los lados del aparato, para que reciba suficiente ventilación. No se debe impedir la ventilación cubriendo las aberturas para ventilación ni colocando sobre o alrededor del aparato elementos como periódicos, manteles, cortinas, etc.
15. No se deben colocar fuentes de llama abierta, como velas encendidas, sobre el aparato.
16. El aparato no se debe exponer a goteos ni salpicaduras. No se deben colocar objetos llenos de líquido, como floreros, sobre el aparato.
17. Tanto el conector de entrada de alimentación de la parte posterior del aparato como el enchufe de la pared deben permanecer accesibles, para poder desconectar la energía del aparato.
18. Para desconectar totalmente el aparato de la red de CA, desconecte el cable de alimentación del tomacorriente de CA.



Usuarios estadounidenses:

Nota: Este equipo ha sido probado y se ha determinado que cumple con los límites para un dispositivo digital Clase B, de acuerdo con la parte 15 del Reglamento de la FCC. Estos límites están destinados a ofrecer protección razonable contra la interferencia perjudicial en una instalación residencial. Este equipo genera, usa y puede irradiar energía de radiofrecuencia y, si no se instala y utiliza según las instrucciones, puede ocasionar interferencia perjudicial a las radiocomunicaciones. Sin embargo, no hay garantía de que no se produzca interferencia en una instalación en particular. Si este equipo efectivamente ocasiona interferencia perjudicial a la recepción de radio o televisión, lo que se puede determinar apagando y encendiendo el equipo, se recomienda al usuario intentar corregir la interferencia implementando una o más de las siguientes medidas.

- Reorientar o reubicar la antena receptora.
- Aumentar la separación entre el equipo y el receptor.
- Conectar el equipo a un circuito distinto al que está conectado el receptor.
- Consultar al distribuidor o a un técnico de radio/ televisión.

Precaución: Los cambios o modificaciones no autorizados al receptor podrían anular la autoridad del usuario para utilizar el equipo.



Usuarios canadienses:

Este aparato digital clase B cumple con la norma canadiense ICES-003



Usuarios europeos:

RLAN - Radio Local Area Network Equipment
(Equipo de red radioeléctrica de área local)

AT	CZ	FI	IS	LT	PT	SE	FR
BE	DK	DE	IE	MT	SK	CH	IT
EE	GR	LV	NL	SI	TR	LU	CY
HU	PL	ES	GB	NO			

Este equipo solo puede usarse en interiores en FR.
Este equipo sólo puede usarse en sus propias instalaciones en IT.
Este equipo es sólo para uso privado en LU.
No se permite utilizarlo dentro de un radio de 20 km del centro de Ny-Ålesund en NO.

Por la presente, Boston Acoustics, Inc. 300 Jubilee Drive, Peabody, MA 01960 USA, declara que este equipo TVee Modelo 30 cumple con los requisitos esenciales y otras normas de la Directiva 1999/5/EC. Podrá obtener una copia de la Declaración de conformidad (Declaration of Conformity, DOC) escribiendo a:

Oliver Kriete
Boston Acoustics, División de D&M Europe B.V.
Beemdstraat 11
5653 MA Eindhoven
Países Bajos



Fabricado con la autorización de Dolby Laboratories. Dolby y el símbolo de doble D son marcas comerciales de Dolby Laboratories.

Introducción

Gracias por elegir a Boston Acoustics y seleccionar al Tvee Modelo 30 como su sistema de entretenimiento doméstico. Este manual contiene información importante para instalar y usar el nuevo sistema, además de información para la solución de problemas por si llegara a tener dificultades.

Características inteligentes:

- Sencilla conexión única y subwoofer inalámbrico
- La barra de sonido reconoce al control remoto existente
- Mejores películas, deportes y juegos
- Mejor música en modo dedicado
- Bluetooth activado para la transmisión directa de música

Otras características inteligentes incluidas:

- Producido por Boston con mejor desempeño en su clase
- Diseño sencillo y funcional adaptable a cualquier televisor
- Subwoofer inalámbrico se puede posicionar horizontal y vertical
- Entrada digital con decodificación Dolby Digital ofrece sonido envolvente superior y un canal central dedicado para lograr diálogos claros
- El procesamiento envolvente virtual con optimización digital de Boston permite obtener efectos envolventes precisos como si estuviera en un teatro
- Selector de mando del procesamiento digital de señales (DSP) exclusivo de Boston para maximizar el desempeño según la ubicación de la barra de sonido
- Entrada AUX mini estéreo sobre el panel lateral para conectar su dispositivo de medios portátil

Especificaciones

Potencia del sistema: 300 vatios pico

Rango de frecuencia: 35Hz a 20kHz

Woofers de la barra de sonido: Woofers triples de 3½" en material FCCM

Tweeters de la barra de sonido: Tweeters triples de ¾"

Subwoofer: Woofers de 7" en material FCCM

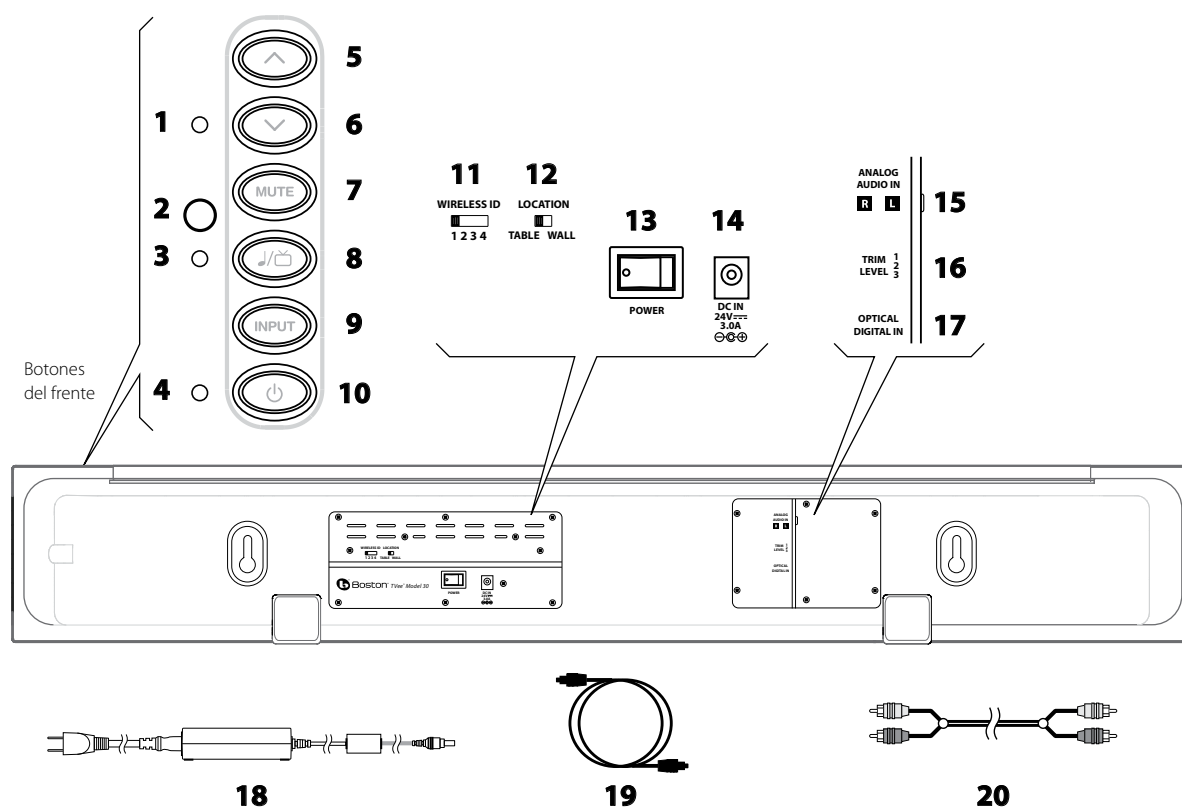
Tecnologías inalámbricas: 5,8 GHz salto de frecuencia (subwoofer)
admite Bluetooth v2.1 + EDR, A2DP v1.2

Dimensiones: Barra de sonido 5¾ x 38½ x 3¾" (146 x 966 x 80mm)
(Alto x Ancho x Profundidad) Subwoofer 14¾ x 6½ x 15½" (364 x 160 x 395mm)

Peso: Barra de sonido 6,7 lbs. (3,0kg)
Subwoofer 17 lbs (7,7kg)

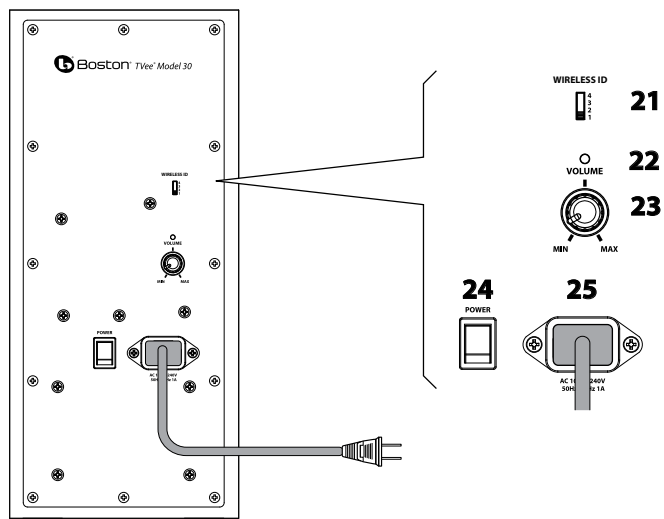


Barra de sonido



- 1 Luz de modo de entrada:** Se enciende en distintos colores para indicar la entrada que se está reproduciendo.
- 2 Receptor remoto de IR:** Recibe comandos remotos para controlar el sistema.
- 3 Luz de modo de música/película:** Se enciende en distintos colores para indicar el modo de reproducción activo.
- 4 Luz de modo de encendido/remoto:** Se enciende en distintos colores para indicar el estado operativo.
- 5 Botón para subir el volumen:** Permite ajustar manualmente el volumen del TVee.
- 6 Botón para bajar el volumen:** Permite ajustar manualmente el volumen del TVee.
- 7 Botón de silencio:** Permite silenciar temporalmente el TVee.
- 8 Botón de música/película:** Selecciona el estilo de sonido que desea. Modo de música para la música y Modo de película para películas y televisión.
- 9 Botón de entrada:** Selecciona la fuente de entrada que se reproduce.
- 10 Botón de encendido:** Permite activar manualmente el TVee o ponerlo en modo de espera.
- 11 Interruptor ID inalámbrico:** Selecciona el "canal" para la señal del subwoofer inalámbrico. Coloque **21** en la misma posición (ver página siguiente).
- 12 Interruptor de ubicación:** Use WALL para colgar en la pared o TABLE para colocar sobre un estante, gabinete o mesa.
- 13 Interruptor de encendido/apagado:** Enciende o apaga la barra de sonido del TVee. Normalmente se mantiene encendida.
- 14 Entrada de energía:** Conecte la fuente de alimentación **18** aquí.
- 15 Entrada de audio analógico:** Recibe entradas de audio analógico a través del cable de conexión de audio **20** que se incluye.
- 16 Nivel de ajuste:** Ajusta la sensibilidad de entrada del TVee.
- 17 Entrada digital óptica:** Entrada preferida del TVee usando el cable óptico **19** provisto.
- 18 Fuente de energía:** Suministra energía a la barra de sonido. Enchúfelo a la pared para conectarlo a la entrada de alimentación **14**.
- 19 Cable digital óptico:** La mejor opción para conectar fuentes de audio digitales al TVee.
- 20 Cable de conexión de audio:** Cable analógico para conectar a una fuente de audio.

Subwoofer



- 21 Interruptor ID inalámbrico:** Selecciona el “canal” para la señal del subwoofer inalámbrico. Coloque en la misma posición que **11** (ver página anterior).
- 22 Indicador de estado:** La luz verde indica que el subwoofer está activo y la luz roja que está en modo de espera.
- 23 Volumen:** Ajusta el volumen del subwoofer para lograr el equilibrio con la barra de sonido.
- 24 Interruptor de encendido/apagado:** Enciende o apaga el subwoofer del T'Vee. Normalmente se deja encendido.
- 25 Cable de alimentación:** Enchúfelo en un toma de CA.

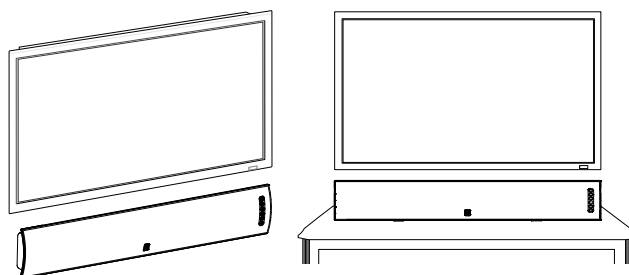
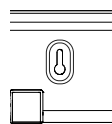
Ubicación del sistema

Decida la ubicación y posición que va a ocupar el sistema antes de hacer las conexiones.

Ubicación de la barra de sonido

Coloque la barra de sonido sobre una mesa o estante cerca del televisor, o instálela en la pared por encima o debajo del televisor.

Los orificios tipo llave en la parte posterior de la barra de sonido permiten colgarla de la pared.*



Instalación en la pared

La barra de sonido del sistema T'Vee Modelo 30 se puede instalar en la pared usando los orificios tipo llave integrados. En la aleta interna de la caja del producto encontrará una plantilla de montaje. Usando un nivel, posicione y sujete con cinta adhesiva la plantilla a la pared en el lugar deseado. El diseño de la plantilla es suficientemente amplio para incluir la rejilla y los orificios tipo llave cuando se instala la barra de sonido debajo del televisor.

Instale los herrajes* usando la plantilla como guía y luego retire la plantilla de la pared. Conecte los cables de audio y de alimentación antes de colgar la barra de sonido de la pared. Coloque la rejilla sobre la barra de sonido ya instalada.

*Consulte a una persona con conocimientos sobre el tipo de pared para que le recomiende los herrajes adecuados para colgar el parlante. Antes de colgar el parlante de la pared, puede retirar las patas de goma. Normalmente es mejor no colgar la barra de sonido de la pared antes de hacer las conexiones.

Configure el interruptor de UBICACIÓN **12** del panel posterior según donde se coloque la barra de sonido. Use WALL para colgar en la pared y TABLE para colocar sobre un estante, gabinete o mesa.

LOCATION

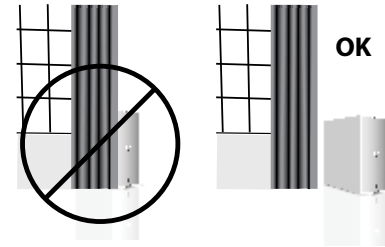
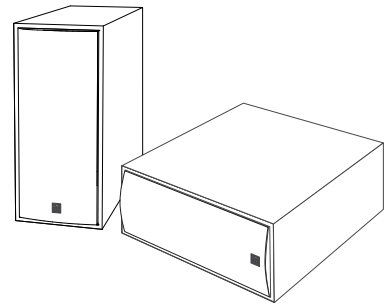
TABLE WALL

Ubicación del subwoofer

Coloque el subwoofer inalámbrico en cualquier lugar de la habitación. Para obtener el mejor sonido, colóquelo cerca de una pared o rincón a no más de 6 metros de la barra de sonido y del mismo lado de la habitación que la barra de sonido. El alcance del subwoofer inalámbrico es de 15 metros.

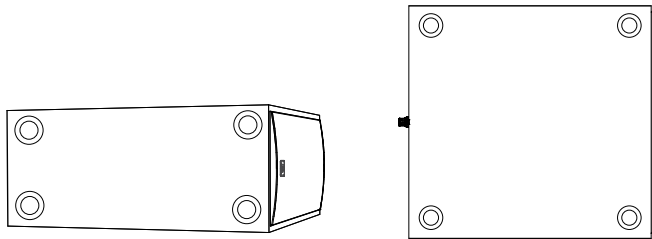
El subwoofer se puede colocar vertical u horizontal, debajo de una cama o mueble, o sobre un estante.*

*Cuide de no obstruir la rejilla, por donde sale el sonido. Además, evite colocar el subwoofer en un lugar donde el flujo de aire alrededor del panel posterior pueda ser obstruido por cortinas o ropa de cama.



Ubicación de las patas del subwoofer

Adjunte las patas de goma autoadhesivas que se incluyen para evitar la vibración contra el suelo.



Conexión del sistema

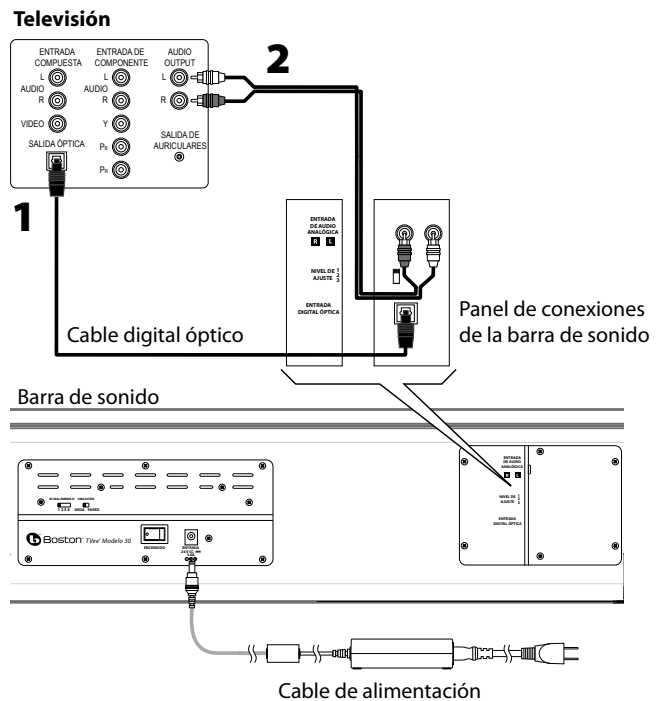
A continuación necesita una señal de entrada del televisor a la barra de sonido del TVee.

Opción 1

Cable digital óptico. **Nota:** El cable óptico es de fibra de vidrio, tenga cuidado de no doblarlo.

Opción 2

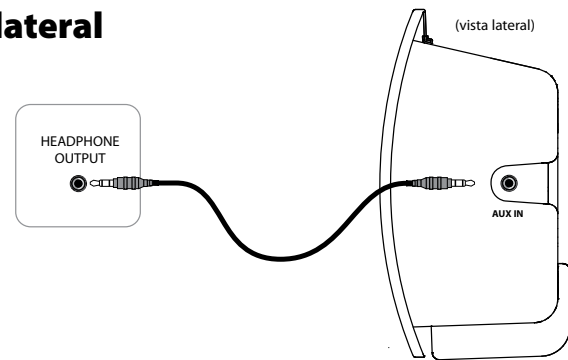
Cable de audio estéreo RCA.



Uso de la entrada auxiliar del panel lateral

Use el mini conector ENT AUX del panel lateral para enchufar un dispositivo de medios portátil.*

*Cuando se inserta un cable en la ENT AUX, se silencia la entrada de audio analógica del panel posterior y se reproduce la entrada auxiliar (luz de modo de entrada roja).

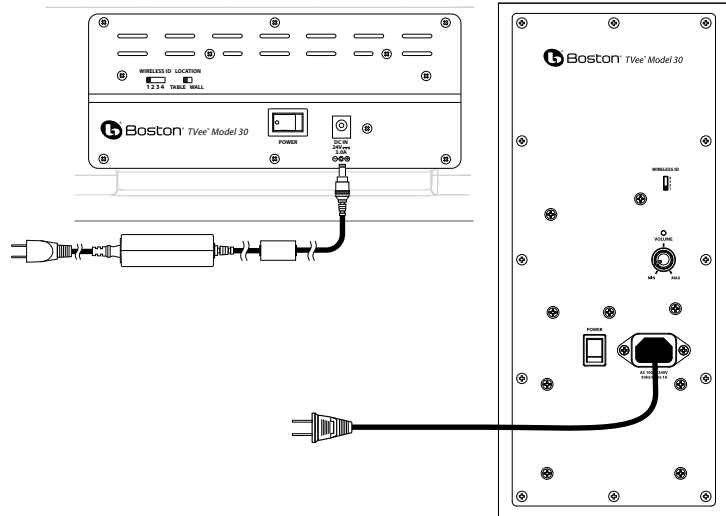


Conectar la Energía

1. Conecte la fuente y el cable de alimentación de la barra de sonido a la barra de sonido. Conecte el cable de alimentación del subwoofer al subwoofer. Enchufe los dos en tomacorrientes de CA.

2. Active los interruptores de encendido del panel posterior de la barra de sonido y del subwoofer. El subwoofer inalámbrico se conecta automáticamente a la barra de sonido.

Si planea usar más de un sistema TVee, consulte la sección sobre ID Inalámbrico en la página 9.



Activación del sistema



Use el botón de encendido **10** del panel frontal para activar el sistema. El sistema se activará **automáticamente** al reproducir el audio de la entrada analógica o digital óptica. La luz de encendido/remoto está verde cuando el sistema está activado y roja cuando el sistema está desactivado.

Luz de encendido remoto (4)

Verde: Encendido.

Roja: Apagado.

Nota: Las luces sólo se encienden temporalmente para mostrar un cambio de modo o función.

¿Cómo miro la TV?

Selección de una entrada



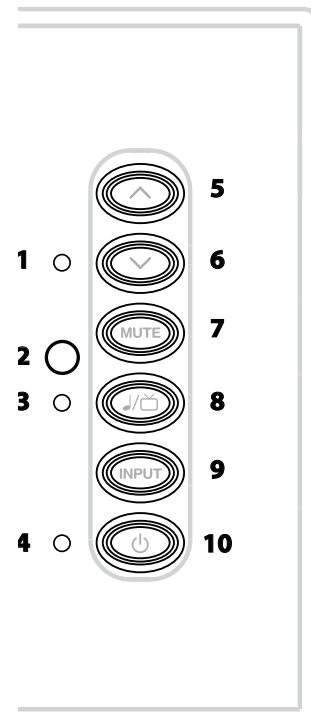
Use el botón de entrada **9** del panel delantero para seleccionar la entrada. Cada vez que pulsa el botón, la entrada cambia en la secuencia entrada digital óptica a entrada de audio analógica a entrada de Bluetooth y nuevamente a digital óptica. El color de la luz de modo de entrada indica la entrada seleccionada.

Luz de modo de entrada (3)

Verde: Entrada digital óptica seleccionada.

Roja: Entrada analógica seleccionada.

Azul: Entrada de Bluetooth seleccionada.



Ajuste del volumen

Use los botones de subir y bajar el volumen del panel delantero para ajustar el volumen. Use el botón de silencio para silenciar el audio. Para cancelar el silencio, pulse el botón de silencio, de subir el volumen o de bajar el volumen.

Luz de modo de encendido/remoto

Verde intermitente: Está en modo de silencio.

Selección de música/película

Use el botón de música/película del panel delantero para seleccionar el estilo de sonido que desea escuchar. El modo de película es como en un teatro o un sistema envolvente, con un sonido amplio y espacioso. Para reproducir música realzada, el modo de música es como un sistema de música estero tradicional, optimizado para sonido nítido y claro. Ambos modos pueden usarse para cualquier tipo de entrada o de audio.

El sistema recuerda el modo elegido la última vez para cada entrada. Resulta muy conveniente porque se puede usar el modo de película para la entrada de audio digital (televisor) y el modo de música para Bluetooth (música de un dispositivo portátil).

Luz de modo de música/película:

Verde: Reproducción en modo película.

Naranja: Reproducción en modo de música.

Ajuste del nivel de sonido del subwoofer

Use la perilla del volumen de la parte posterior del subwoofer para ajustar el nivel de salida del sonido. En muchos ambientes, la configuración entre 10 y 14 horas (posición del reloj) suena bien. Una vez configurado, normalmente no será necesario ajustar este control.



Programación de la barra de sonido

A Pulse y sostenga los botones de encendido y de subir volumen simultáneamente en la barra de sonido durante 3 segundos hasta que la luz **4** de modo de encendido/remoto sea naranja intermitente.

B Pulse el botón de subir volumen de la barra de sonido hasta que se activa la luz naranja permanente.

C Sostenga el control a 30 cm apuntando a la zona de botones de la barra de sonido, pulse el botón de subir volumen del control remoto 4 veces hasta que aparece la luz verde intermitente.

Repita los pasos **A** a **C** para configurar los botones de bajar volumen, silencio, encendido, entrada y música/película.

Atención usuarios de cable/satélite Si le cuesta programar, algunos controles de cable/satélite pueden requerir que inicie la programación usando el control remoto original del televisor. Una vez completada la programación con el control original del televisor, puede comenzar a usar el control del cable/satélite para la barra de sonido.

A



B



C



Uso de las funciones inalámbricas del sistema

Entrada de Bluetooth

Utilice la entrada inalámbrica de Bluetooth para recibir música o cualquier tipo de audio compatible con un dispositivo Bluetooth, como un teléfono inteligente o una computadora. El dispositivo debe ser capaz de transmitir audio con el Bluetooth A2DP (Perfil de distribución de audio avanzado).

Asociación del TVEe con un dispositivo Bluetooth compatible

Use el botón de entrada para seleccionar la entrada de Bluetooth, que se indica con la luz de modo de entrada en azul. Si no hay ningún dispositivo ya asociado, el sistema TVEe ingresará automáticamente al modo de asociación y la luz de modo de entrada quedará azul intermitente. Configure el dispositivo Bluetooth al modo de asociación o descubrimiento (consulte las instrucciones del manual del usuario del dispositivo). En el dispositivo Bluetooth, el sistema TVEe aparecerá como "TVEe M30." Si el dispositivo solicita un código de asociación, ingrese el número 0 0 0 0. Una vez asociados, la luz de modo de entrada quedará azul permanente durante varios segundos.

El TVEe se puede asociar a más de un dispositivo (aunque sólo uno de esos dispositivos puede reproducir música a través de Bluetooth por vez). Para asociar dispositivos adicionales, primero debe usar el botón de entrada para seleccionar la entrada de Bluetooth. Luego pulse y sostenga los botones de entrada y de silencio al mismo tiempo durante 3 segundos. Se iniciará el modo de asociación, como se describe arriba, y se indicará con la luz azul intermitente.

Uso del dispositivo Bluetooth compatible con el sistema TVEe

Luego de asociar por lo menos un dispositivo al TVEe, el sistema automáticamente buscará los dispositivos asociados disponibles al seleccionar la entrada de Bluetooth (indicada por una luz azul intermitente lenta). Normalmente un teléfono inteligente o una computadora deberán estar en modo de reproducción de música (como el modo iPod o iTunes) antes de vincularse al TVEe y reproducir la música. Una vez vinculado a una fuente de Bluetooth, el TVEe permanecerá vinculado a ese dispositivo hasta que el dispositivo se apague, se desplace fuera de su alcance o se desactive Bluetooth en el dispositivo. Si desea cambiar a otro dispositivo fuente de Bluetooth, deberá detener el vínculo con Bluetooth (cambiando a una entrada sin Bluetooth en el sistema TVEe Y ADEMÁS desactivando Bluetooth en el dispositivo conectado). A continuación podrá seleccionar nuevamente la entrada Bluetooth en el TVEe y vincularse al segundo dispositivo.

Nota: Si el TVEe se desconecta de un dispositivo fuente de Bluetooth mientras está en modo de Bluetooth, el sistema intentará reconectarse durante 5 minutos, indicando con una luz azul intermitente lenta. Normalmente esto permite que el usuario de un teléfono inteligente se desplace fuera de cobertura y vuelva, para que el TVEe vuelva a vincularse y continúe reproduciendo la música.

El alcance típico de recepción de Bluetooth es de 12 metros o menos. Depende del dispositivo fuente de Bluetooth y también de los otros dispositivos que comparten la misma frecuencia de banda, como sistemas Wi-Fi y microondas.

Interruptor ID inalámbrico

El subwoofer inalámbrico se conecta automáticamente a la barra de sonido. Tanto la barra de sonido como el subwoofer inalámbrico tienen un interruptor ID inalámbrico en el panel posterior. Estos interruptores deben configurarse con el mismo número. Si utiliza más de un sistema TVEe en su hogar, cambie el segundo sistema a un número de ID diferente para mantener las transmisiones inalámbricas separadas.



El subwoofer debe colocarse a no más de 15 metros de la barra de sonido para la conexión inalámbrica. Si se coloca más cerca la conexión es más confiable.

La luz del subwoofer está verde cuando está encendido y con conexión inalámbrica. El subwoofer pasa al modo de espera si no reproduce sonidos durante varios minutos, y en modo de espera la luz está roja. Si la luz está verde intermitente, el vínculo inalámbrico no está conectado y el subwoofer está intentando reconectarse. Verifique que el interruptor ID inalámbrico del subwoofer está configurado con el mismo número que el interruptor ID inalámbrico de la barra de sonido, y consulte la sección de solución de problemas de este manual donde encontrará otras sugerencias.

Solución de problemas del sistema TVee

La barra de sonido no se activa.

- ¿Se ha enchufado la fuente de alimentación a un toma de pared energizado?
- ¿Está bien conectada la fuente de alimentación a la entrada de alimentación de la barra de sonido?
- ¿Se encuentra el interruptor de encendido del panel posterior en la posición "on"?
- ¿Se ha quemado el fusible? Reemplácelo por otro del mismo tipo. Si se vuelve a quemar rápidamente es posible que la unidad necesite asistencia técnica.

La barra de sonido del TVee no emite sonido.

- ¿Está conectada la barra de sonido a una fuente de audio que se reproduce a través de su salida?
- ¿Se ha configurado la barra de sonido en la fuente de entrada correcta?
- ¿Reciben alimentación y están activados la barra de sonido y el subwoofer?
- Suba el volumen de la barra de sonido del TVee.
- Suba el volumen del televisor o del decodificador de cable al que está conectado el TVee.
- Verifique el estado de silencio: ¿Está verde intermitente el indicador de estado? Pulse el botón de silencio de la barra de sonido.
- En los televisores digitales y otras fuentes digitales, compruebe que el formato de salida está configurado en "Dolby Digital". (Consulte el manual de instalación del producto fuente.)
- En las fuentes digitales, verifique que el cable óptico no está doblado o roto. (Se corta la señal de luz digital.)
- En las fuentes analógicas conectadas a los enchufes RCA del panel posterior, compruebe que no hay un cable insertado en la entrada auxiliar del panel lateral.

El subwoofer no emite sonido.

- Compruebe los puntos mencionados en la sección anterior "La barra de sonido no se activa".
- Suba el control de volumen.
- Compruebe que la configuración ID inalámbrico es igual a la de la barra de sonido.
- Acerque el subwoofer a la barra de sonido.

La barra de sonido emite sonido distorsionado.

- Cambie la configuración del interruptor de nivel de ajuste a un número más alto. (Sólo para entrada analógica.)
- Verifique la fuente de la señal para asegurarse que la distorsión no se origina allí.

Los graves no son suficientemente fuertes.

- Suba el control de volumen del subwoofer.
- Acerque el subwoofer a un rincón de la habitación.
- Compruebe que la configuración ID inalámbrico es igual a la de la barra de sonido.
- Algunos televisores y decodificadores de cable tienen un modo que limita los graves. Verifique el menú de configuración de audio del producto y fije el modo de audio en "amplio" en lugar de "normal" o "angosto".

El TVee no aprende los comandos de mi control remoto.

- Siga las instrucciones de programación con cuidado.
- Mantenga el control firme a 12 pulgadas del frente de la barra de sonido.
- Pulse y suelte los botones del control remoto **l e n t a m e n t e**.
- Verifique las baterías del control remoto.

Nota: El sistema TVee aprende la mayoría de los comandos IR, pero algunos protocolos IR no se pueden programar.

Al apagar el televisor se escucha un ruido que hace "pop".

- Programe el TVee para que se encienda y apague con el botón de encendido del control remoto del televisor.

Con el paso del tiempo el volumen de los parlantes del televisor sube más que el del sistema TVee.

- Cuando se mantiene apretado el botón de volumen del control remoto es posible que el televisor cambie el nivel de volumen más rápido que el TVee.
- Use los botones de la barra de sonido para ajustar el volumen del TVee y equilibrarlo con los parlantes del televisor.
- Si es posible, use el manual de configuración del televisor para silenciar los parlantes del televisor.

Parece que el woofer tiene interferencia en la señal inalámbrica.

- Intente cambiar la configuración de los interruptores ID inalámbricos de la barra de sonido y del subwoofer.
- Es posible que el subwoofer se encuentre demasiado lejos de la barra de sonido para obtener una buena señal. Intente acercarlo.

La entrada de Bluetooth no se asocia con un dispositivo fuente de Bluetooth.

- Compruebe que el sistema TVee está en modo de asociación de Bluetooth. (Consulte las instrucciones de la página anterior.)
- Compruebe que el dispositivo fuente de Bluetooth está en modo de asociación de Bluetooth. (Consulte las instrucciones del producto.)
- Compruebe que el dispositivo fuente de Bluetooth admite A2DP (Perfil de distribución de audio avanzado). Tenga en cuenta que algunos productos que tienen Bluetooth sólo funcionan con teclados o auriculares Bluetooth pero no necesariamente tienen A2DP.
- Compruebe que la fuente de Bluetooth se encuentra a no más de 3 metros durante el proceso de asociación.
- Desactive y vuelva a activar el dispositivo Bluetooth (apague totalmente y reinicie) y vuelva a intentar asociarlo.

La entrada de Bluetooth no reproduce una fuente de Bluetooth que ya fue asociada.

- Compruebe que el TVee no está vinculado a un dispositivo fuente de Bluetooth diferente.
- Compruebe que el dispositivo fuente de Bluetooth deseado está reproduciendo música u otra fuente de audio.
- Tenga en cuenta que algunos programas y aplicaciones no admiten la transmisión de audio de Bluetooth del dispositivo fuente. (Si tiene dudas, consulte las instrucciones del programa o la aplicación.)
- Mueva las posibles fuentes de interferencia, especialmente las que funcionan a 2,4 GHz (Wi-Fi, microondas, teléfonos inalámbricos.)

Garantía Limitada

Boston Acoustics garantiza al comprador original de nuestro sistema TVee que no tendrá defectos de materiales ni de mano de obra en sus piezas mecánicas durante un período de 5 años desde la fecha de compra. El período de garantía de los componentes eléctricos del TVee es de 1 año.

Es su responsabilidad instalarlos y utilizarlos conforme a las instrucciones suministradas, proporcionar transporte seguro hasta un representante de servicio autorizado de Boston Acoustics, y presentar el comprobante de ventas en la forma del recibo al solicitar el servicio.

Quedan excluidos de esta garantía los daños que resulten del uso incorrecto, del mal uso, de una instalación inadecuada, de accidentes, del transporte, o de reparaciones/modificaciones que no sean realizadas por el representante de servicio autorizado de Boston Acoustics.

Esta garantía se limita al producto de Boston Acoustics y no cubre daños de equipos afines. Esta garantía no cubre los costos de desinstalación o reinstalación. Esta garantía será nula cuando se haya retirado o borrado el número de serie. Esta garantía le otorga derechos legales específicos y también le podrían corresponder otros derechos que varían de un estado a otro.

Si cree que necesita servicio técnico

Estados Unidos

Primero, póngase en contacto con el distribuidor al que le compró el producto. Si esto no es posible, envíe un correo electrónico a: support@bostona.com o escriba a:

Boston Acoustics, Inc.
100 Corporate Drive
Mahwah, NJ 07490 EE.UU.

Canadá

Primero, póngase en contacto con el distribuidor al que le compró el producto. Si esto no es posible, envíe un correo electrónico a: support@dmcanada.ca o escriba a:

D&M Canada
5-505 Apple Creek Blvd
Markham, ON L3R 5B1

Otros Países

Comuníquese con el distribuidor a través del cual adquirió el producto o con el representante local.

Para más información, visite bostonacoustics.com/support



Este símbolo que aparece en el producto indica que el producto no debe ser arrojado junto con los residuos domésticos. Debe colocarse en un punto de recolección separado para desechos electrónicos o debe entregarse en el establecimiento minorista al comprar un producto similar. El fabricante ha pagado para que este producto se recicle. Esta práctica contribuye a la reutilización y el reciclado, minimiza los efectos adversos sobre el medio ambiente y la salud humana y evita la imposición de multas por eliminación incorrecta de residuos.

CONSIGNES DE SÉCURITÉ IMPORTANTES



Ce symbole apposé sur l'appareil indique des tensions dangereuses.



Ce symbole apposé sur l'appareil indique à l'utilisateur qu'il doit lire l'ensemble des consignes de sécurité mentionnées dans le manuel de l'utilisateur.



Ce symbole apposé sur l'appareil indique une double isolation.

**Avertissement !**

Pour réduire les risques d'incendie ou de choc électrique, n'exposez pas cet appareil à la pluie ou à l'humidité.

1. Lisez les présentes instructions.
2. Conservez les présentes instructions.
3. Respectez tous les avertissements.
4. Suivez toutes les instructions.
5. N'utilisez pas cet appareil à proximité d'un liquide.
6. Nettoyez l'appareil uniquement avec un chiffon sec.
7. N'obturez pas les ouvertures d'aération. Installez l'appareil en accord avec les instructions du fabricant.
8. N'installez pas l'appareil à proximité d'une source de chaleur, telle qu'un radiateur, une bouche de chaleur, une cuisinière ou autre appareil (y compris des amplificateurs) qui dégage de la chaleur.
9. Ne désactivez pas le dispositif de sécurité de la prise de terre ou de la prise polarisée. Une prise polarisée est équipée de deux fiches, l'une étant plus large que l'autre. Une prise de terre est équipée de trois fiches dont l'une est une fiche de terre. Cette troisième fiche ou fiche la plus large est présente pour des raisons de sécurité. Si la prise fournie ne correspond pas à votre prise murale, consultez un électricien pour remplacer cette prise murale inadaptée.
10. Protégez le cordon d'alimentation (personne ne doit marcher dessus et il ne doit pas être pincé, en particulier au niveau des prises), les prises de courant et le point où les prises sortent de l'appareil.
11. Utilisez uniquement les accessoires recommandés par le fabricant.
12. Débranchez l'appareil pendant les orages ou pendant les périodes prolongées de non-utilisation.
13. Consultez un professionnel qualifié pour toutes les réparations. L'appareil doit être réparé quand il a été endommagé, notamment si le cordon d'alimentation ou la prise sont abîmés, si un liquide a été renversé ou si des objets sont tombés sur l'appareil, si l'appareil a été exposé à la pluie ou à l'humidité, s'il ne fonctionne pas correctement, ou s'il est tombé.
14. Conservez une distance minimale de 50 mm tout autour de l'appareil afin d'assurer une aération adéquate. L'aération ne doit pas être bloquée en obturant les ouvertures d'aération ou en plaçant sur ou à côté de l'appareil des objets tels que des journaux, des nappes, des rideaux, etc.
15. Aucune flamme nue, notamment des bougies allumées, ne doit être placée sur l'appareil.
16. L'appareil ne doit pas être exposé à un suintement ou des éclaboussures d'eau. Aucun objet rempli de liquide, tel qu'un vase, ne doit être posé sur l'appareil.
17. Soit le connecteur d'entrée d'alimentation situé à l'arrière de l'appareil, soit la prise d'alimentation murale doit rester accessible afin de pouvoir couper l'alimentation de l'appareil.
18. Pour déconnecter totalement cet appareil du secteur CA, débranchez le cordon d'alimentation de la prise murale CA.



Utilisateurs américains :

Note: Cet équipement a été testé et déclaré conforme aux limites relatives à un appareil numérique de classe B établies par la partie 15 des Règlements de la FCC. Ces limites sont destinées à assurer une protection raisonnable contre les interférences dommageables dans une installation résidentielle. Cet équipement génère, utilise et peut émettre de l'énergie sous forme de radiofréquences. Si son installation et son utilisation ne sont pas conformes aux présentes instructions, il peut provoquer des interférences dommageables aux communications radio. Cependant, l'absence totale d'interférences dans une installation particulière n'est pas garantie. Si cet équipement entraîne des interférences dommageables à la réception de la radio ou de la télévision, ce qui est vérifiable en éteignant et en rallumant l'appareil, il est recommandé de corriger ces interférences en utilisant une ou plusieurs des mesures suivantes :

- Réorientez ou déplacez l'antenne de réception.
- Augmentez la distance entre l'équipement et le récepteur.
- Branchez l'équipement à un circuit électrique différent de la prise à laquelle le récepteur est connecté.
- Consultez le revendeur ou un technicien radio/TV expérimenté pour obtenir de l'aide.

Attention : tout changement ou modification non autorisé du récepteur peut annuler le droit de l'utilisateur à employer cet équipement.



Utilisateurs canadiens :

Cet appareil numérique de classe B est conforme à la norme canadienne NMB-003.



Utilisateurs européens :

RLAN - Réseau local sans fil

AT	CZ	FI	IS	LT	PT	SE	FR
BE	DK	DE	IE	MT	SK	CH	IT
EE	GR	LV	NL	SI	TR	LU	CY
HU	PL	ES	GB	NO			

Cet équipement peut être utilisé uniquement à l'intérieur en France (FR).

Cet équipement peut être utilisé uniquement dans la résidence d'une personne en Italie (IT).

Cet équipement est destiné uniquement à une utilisation privée au Luxembourg (LU).

L'utilisation est interdite dans un rayon de 20 km du centre de Ny-Ålesund en Norvège (NO).

Boston Acoustics, Inc., sis au 300 Jubilee Drive, Peabody, MA 01960, États-Unis, déclare par la présente que ce TVE Model 30 est conforme aux exigences essentielles et autres dispositions applicables de la Directive 1999/5/CE. Une copie de la Déclaration de Conformité (DOC) peut être obtenue auprès de :

Oliver Kriete
Boston Acoustics, Division de D&M Europe B.V.
Beemdstraat 11
5653 MA Eindhoven
Pays-Bas



Fabriqué sous licence de Dolby Laboratories. Dolby et le symbole

Introduction

Merci d'avoir choisi Boston Acoustics et le système de divertissement à domicile, TVee Model 30. Le présent manuel contient des informations importantes sur l'installation et l'utilisation de votre nouveau système, ainsi que des astuces de dépannage en cas de problèmes.

Caractéristiques intelligentes :

- Branchement par un simple fil et caisson de basse sans fil
- La barre de son reconnaît la télécommande existante
- Les films, les sports, les jeux... en mieux
- Une meilleure musique avec un mode dédié
- Compatible Bluetooth pour la diffusion de musique en continu

Caractéristiques intelligentes supplémentaires :

- Conçu par Boston avec une performance exceptionnelle
- Conception simple et fonctionnelle, s'adaptant à tous les téléviseurs
- Caisson de basse sans fil à positionner horizontalement ou verticalement
- Entrée numérique avec décodage Dolby Digital pour un son Surround de qualité supérieure et une voix centrale dédiée pour des dialogues clairs
- Traitement Digitally Optimized Virtual Surround de Boston pour des effets surround ponctuels, similaires aux cinémas
- Interrupteur de commande DSP exclusif de Boston pour optimiser la performance en fonction de l'emplacement de la barre de son
- Entrée AUX mini-stéréo sur le côté pour brancher votre appareil portable

Spécifications

Puissance : 300 watts max.

Plage de fréquence : 35Hz à 20kHz

Haut-parleurs de graves de la barre de son : Triple haut-parleurs de graves FCCM 89 mm

Haut-parleurs d'aigus de la barre de son : Triple haut-parleurs d'aigus 19 mm

Caisson de basse : Haut-parleur de graves FCCM 18 cm

Technologies sans fil : Saut de fréquence 5,8 GHz (caisson de basse) supporte Bluetooth v2.1 + EDR, A2DP v1.2

Dimensions : (H x L x P)

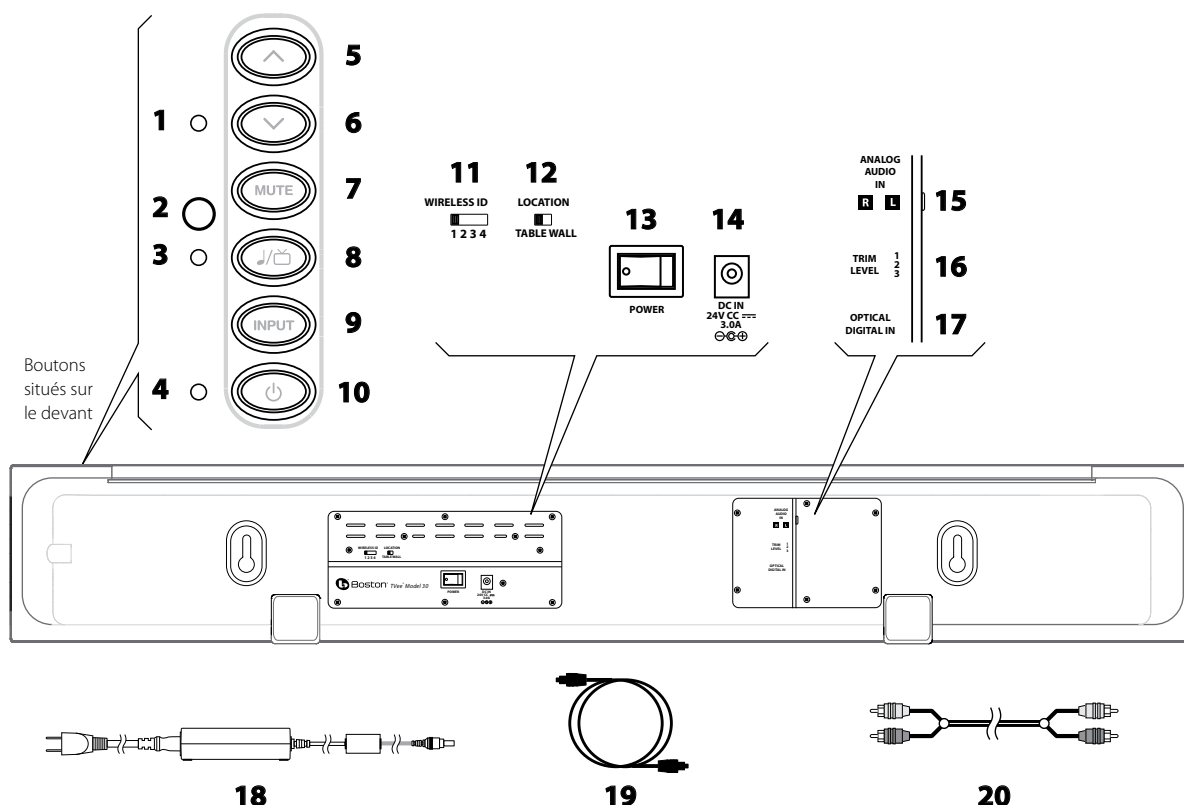
Barre de son	$5\frac{3}{4} \times 38\frac{1}{16} \times 3\frac{3}{16}$ " (146 x 966 x 80mm)
Caisson de basse	$14\frac{3}{8} \times 6\frac{5}{16} \times 15\frac{9}{16}$ " (364 x 160 x 395mm)

Poids :

Barre de son	6,7 livres (3,0 kg)
Caisson de basse	17 livres (7,7kg)

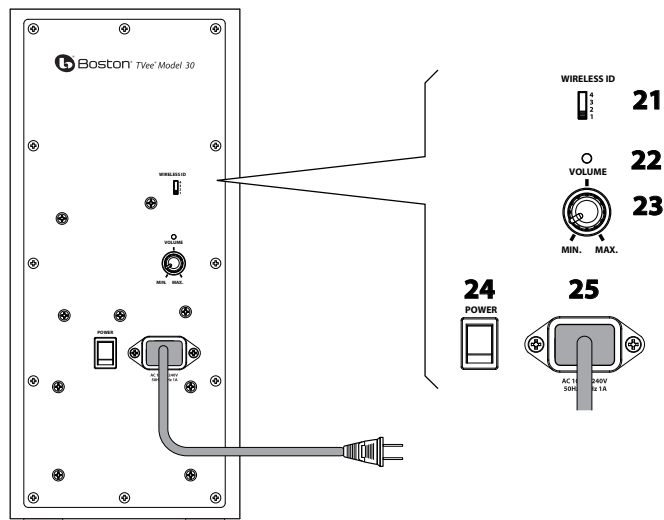


Barre de son



- 1 Voyant du mode d'entrée** – S'allume de différentes couleurs pour indiquer l'entrée activée.
- 2 Récepteur IR à distance** – Reçoit les commandes à distance pour contrôler le système.
- 3 Voyant du mode Musique/Film** – S'allume de différentes couleurs pour indiquer le mode activé.
- 4 Témoin du mode Alimentation/Distance** – S'allume de différentes couleurs pour indiquer l'état de fonctionnement.
- 5 Bouton d'augmentation du volume** – Vous permet de régler manuellement le volume du TVee.
- 6 Bouton de réduction du volume** – Vous permet de régler manuellement le volume du TVee.
- 7 Bouton de sourdine (Mute)** – Permet de couper le son du TVee de manière temporaire.
- 8 Bouton Musique/Film** – Sélectionne le type de son que vous désirez entendre. Le mode Musique est utilisé pour la musique, et le mode Film est utilisé pour les films et les programmes TV.
- 9 Bouton d'entrée (Input)** – Sélectionne la source d'entrée utilisée.
- 10 Bouton d'alimentation** – Vous permet d'activer manuellement le TVee ou de le mettre en mode veille.
- 11 Commutateur ID sans fil** – Sélectionne le « canal » pour le signal du caisson de basse sans fil. Réglez le commutateur **21** dans la même position (voir page suivante).
- 12 Interrupteur Emplacement** – Utilisez WALL pour une fixation murale ou TABLE pour une installation sur une étagère, une table ou dans une armoire.
- 13 Interrupteur Marche/Arrêt** – Active ou désactive la barre de son TVee. Normalement, il est constamment activé.
- 14 Entrée d'alimentation** – Branchez l'alimentation **18** à cette entrée.
- 15 Entrée audio analogique** – Reçoit les entrées audio analogiques par le biais du câble de connexion audio **20** inclus.
- 16 Niveau de sensibilité** – Règle la sensibilité d'entrée du TVee.
- 17 Entrée numérique optique** – L'entrée préférée pour le TVee en utilisant le câble optique **19** fourni.
- 18 Alimentation** – Alimente la barre de son. Branchez-la à une prise murale et à l'entrée d'alimentation **14**.
- 19 Câble numérique optique** – Le meilleur choix pour brancher des sources audio numériques au TVee.
- 20 Câble de connexion audio** – Câble analogique pour brancher à une source audio.

Caisson de basse



- 21 Commutateur ID sans fil** – Sélectionne le « canal » pour le signal du caisson de basse sans fil. Réglez dans la même position que le commutateur **11** (voir page précédente).
- 22 Indicateur d'état** – Allumé en vert quand le caisson de basse est actif et en rouge quand il est en mode veille.
- 23 Volume** – Règle le volume du caisson de basse pour une meilleure balance avec la barre de son.
- 24 Interrupteur Marche/Arrêt** – Active ou désactive le caisson de basse TVee. Normalement, il est constamment activé.
- 25 Cordon électrique** – Branchez-le à une prise CA.

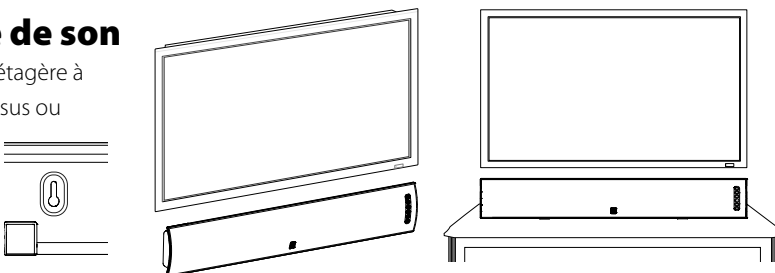
Placement du système

Choisissez l'emplacement et la position du système avant de réaliser les branchements.

Emplacement de la barre de son

Placez la barre de son sur une table ou une étagère à côté du téléviseur, ou fixez-la au mur au-dessus ou en-dessous de la télévision.

Les orifices de montage à l'arrière de la barre de son permettent une fixation murale.*



Montage mural

La barre de son TVee Model 30 peut être fixée au mur à l'aide des orifices intégrés. Un modèle de montage est présent dans le rabat intérieur du carton d'emballage. À l'aide d'un niveau, placez et scotchez le modèle sur le mur à l'endroit désiré. Le modèle prend en compte l'espace pour la grille et les orifices de montage quand la barre de son est montée sous un téléviseur.

Installez le matériel* en utilisant le modèle comme guide. Puis, retirez le modèle du mur. Branchez les câbles audio et d'alimentation avant de fixer la barre de son au mur. Placez la grille sur la barre de son après le montage.

*Consultez un technicien pour connaître le matériel de fixation à utiliser pour suspendre le haut-parleur en fonction du type de mur. Vous pouvez enlever les pieds en caoutchouc avant de suspendre le haut-parleur au mur. En général, il vaut mieux ne pas fixer la barre sur le mur avant d'avoir branché les fils.

Réglez l'interrupteur **12 LOCATION** situé sur le panneau arrière de la barre de son en fonction de son installation. Utilisez **WALL** pour une fixation murale et **TABLE** pour une installation sur une étagère, une table ou dans une armoire.

LOCATION



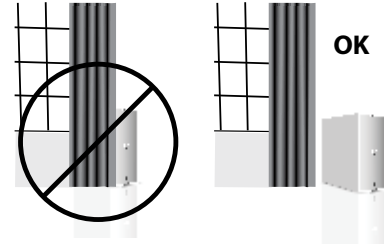
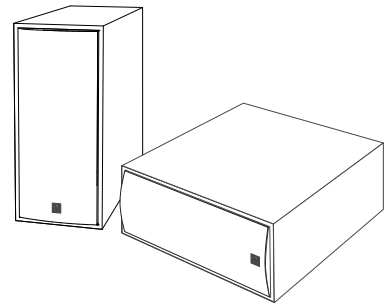
TABLE WALL

Emplacement du caisson de basse

Placez le caisson de basse sans fil n'importe où dans la pièce. Pour obtenir le meilleur son, placez le caisson de basse à côté d'un mur ou d'un coin, à environ 6 mètres de la barre de son, du même côté de la pièce que la barre de son. La plage du caisson de basse sans fil est de 15 mètres.

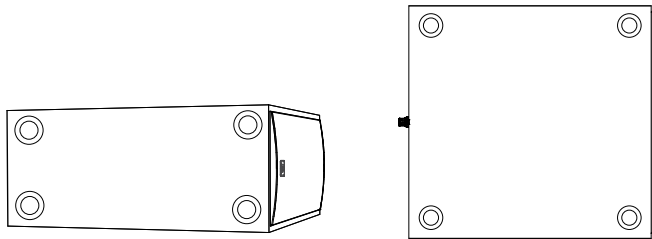
Le caisson de basse peut être installé à la verticale ou à l'horizontale, sous un lit ou autre meuble, ou sur une étagère.*

*Attention à ne pas boucher la grille par laquelle sort le son. En outre, évitez de placer le caisson de basse dans une position où des rideaux ou des couvertures bloquent le flux d'air autour du panneau arrière.



Emplacement des pieds du caisson de basse

Fixez les pieds en caoutchouc autoadhésifs pour éviter toute vibration contre le sol.



Branchement du système

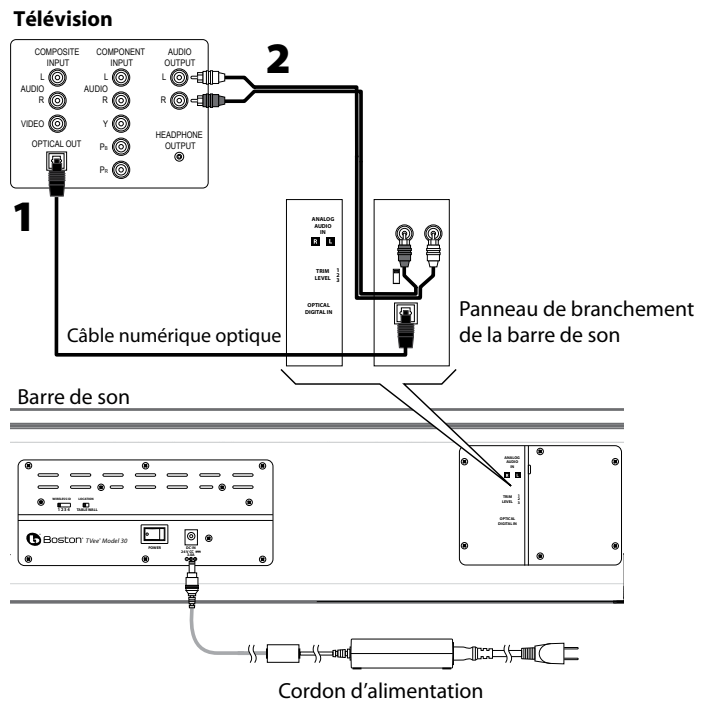
Ensuite, vous devez obtenir un signal d'entrée du téléviseur pour votre barre de son TVee.

Option 1

Câble numérique optique. **Note :** le câble optique est en fibre de verre ; attention à ne pas tordre ce câble.

Option 2

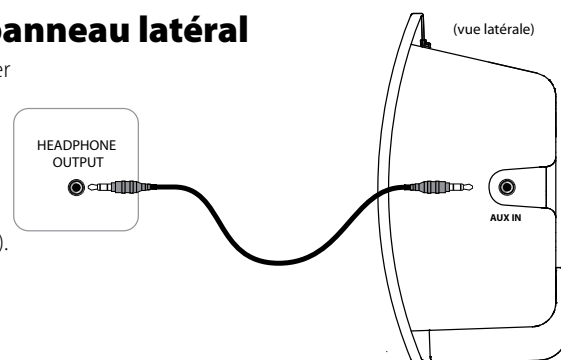
Câble audio stéréo RCA.



Utilisation de l'entrée auxiliaire du panneau latéral

Utilisez la mini prise AUX INPUT du panneau latéral pour brancher un appareil média portable.*

*Quand un câble est inséré dans l'entrée AUX INPUT, l'entrée audio analogique du panneau arrière est coupée et l'entrée Aux est activée (le voyant du mode d'entrée est rouge).

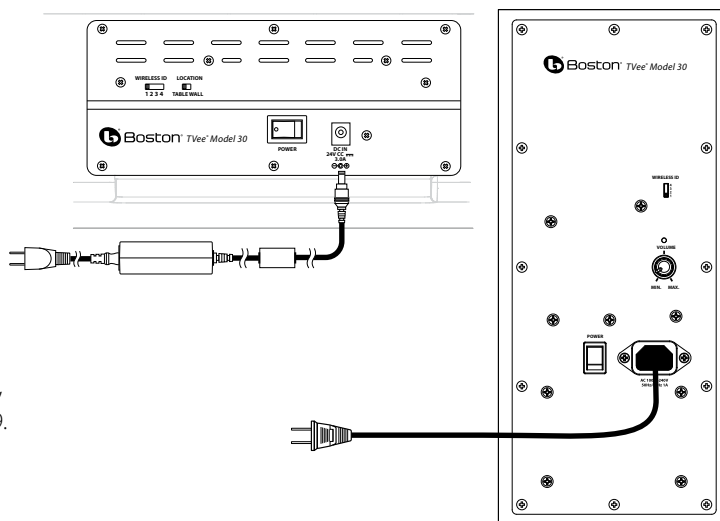


Branchement de l'alimentation

1. Branchez l'alimentation de la barre de son et le cordon électrique à la barre de son. Branchez le cordon électrique du caisson de basse au caisson de basse. Branchez les deux cordons dans des prises d'alimentation CA.

2. Activez les interrupteurs d'alimentation situés sur les panneaux arrière de la barre de son et du caisson de basse. Le caisson de basse sans fil se connecte automatiquement à la barre de son.

Si vous souhaitez utiliser plusieurs systèmes TVee, veuillez consulter la section ID Sans Fil à la page 9.



Activation du système

Utilisez le bouton d'alimentation **10** du panneau avant pour mettre le système en marche. Le système s'allume **automatiquement** quand un son passe par l'entrée analogique ou l'entrée numérique optique. Le voyant Alimentation/Distance s'allume en vert quand le système est allumé, et en rouge quand le système est éteint.

Voyant Alimentation/Distance (4)

Vert : mise sous tension.

Rouge : mise hors tension.

Note : les voyants s'allument temporairement pour indiquer un changement de mode ou de fonction.

Comment regarder la télévision ?

Sélection d'une entrée

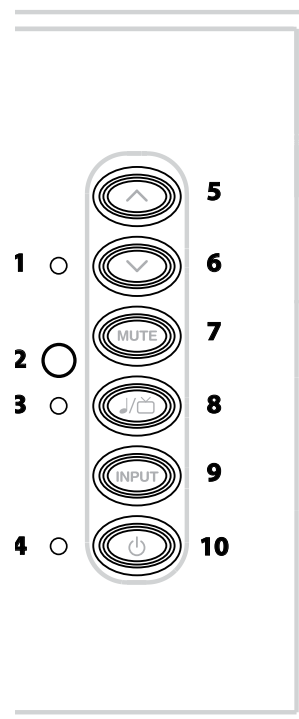
Utilisez le bouton d'entrée (Input) **9** du panneau avant pour choisir une entrée. À chaque appui sur ce bouton, l'entrée change en séquence, de l'entrée numérique optique à l'entrée audio analogique à l'entrée Bluetooth pour revenir à l'entrée numérique optique. La couleur du voyant du mode d'entrée indique l'entrée sélectionnée.

Voyant du mode d'entrée (3)

Vert : l'entrée numérique optique est sélectionnée.

Rouge : l'entrée analogique est sélectionnée.

Bleu : l'entrée Bluetooth est sélectionnée.



Réglage du volume

Utilisez les boutons d'augmentation et de réduction du volume situés sur le panneau avant pour ajuster le volume. Utilisez le bouton sourdine pour couper le son. Pour annuler le mode sourdine, appuyez sur les boutons sourdine, augmentation du volume ou réduction du volume.

Voyant d'alimentation/distance

Vert clignotant : le mode sourdine est activé.

Sélection Musique/Film

Utilisez le bouton Musique/Film du panneau avant pour choisir le type de son que vous **désirez** entendre. Le mode Film est similaire à un système Surround ou Cinéma et envoie un son large et spacieux. Pour améliorer la lecture de la musique, le mode Musique est comme un système stéréo traditionnel, optimisé pour une précision audio pure. Ces deux modes peuvent être utilisés pour tout type d'entrée ou de son.

Le système gardera en mémoire le dernier mode choisi pour chaque entrée. Cette fonction est pratique car vous pouvez utiliser le mode Film pour l'entrée audio numérique (télévision) et le mode Musique pour votre Bluetooth (musique provenant d'un appareil portable).

Voyant du mode Musique/Film :

Vert : mode Film activé.

Orange : mode Musique activé.

Réglage du niveau sonore du caisson de basse

Utilisez le bouton de volume situé à l'arrière du caisson pour ajuster son niveau sonore. Dans la plupart des pièces, le réglage approprié est situé entre 10 et 14 heures. Une fois réglé, vous n'aurez plus à ajuster cette commande en général.



Programmation de votre barre de son

A Appuyez en même temps et maintenez enfoncés les boutons d'alimentation et d'augmentation du volume de la barre de son pendant 3 secondes jusqu'à ce que le voyant **4** Alimentation/Distance clignote en orange.

B Appuyez sur le bouton d'augmentation du volume de la barre de son jusqu'à ce que le voyant orange devienne fixe.

C Tenez votre télécommande à 30 cm de la zone des boutons de la barre de son. Appuyez sur le bouton d'augmentation du volume de votre télécommande 4 fois jusqu'à ce que le témoin clignote en vert.

Répétez les étapes **A** à **C** pour régler les boutons Réduction du Volume, Sourdine, Alimentation, Entrée, et Musique/Film.

Avertissement pour les utilisateurs de récepteurs par câble/satellite : si vous rencontrez des difficultés pour la programmation, certaines télécommandes des systèmes par câble/satellite peuvent ne pas fonctionner. Utilisez la télécommande d'origine de votre téléviseur. Quand la programmation est terminée à l'aide de la télécommande du téléviseur, vous pouvez commencer à utiliser la télécommande de votre système câble/satellite pour contrôler votre barre de son.

A



B



C



Utilisation de la fonction sans fil

Entrée Bluetooth

Utilisez l'entrée sans fil Bluetooth pour recevoir une musique ou autre son d'un appareil Bluetooth compatible, comme un téléphone intelligent ou un ordinateur. L'appareil doit pouvoir transmettre un son avec le protocole A2DP (profil de distribution audio avancée).

Appariement du TVee à un appareil Bluetooth compatible

Utilisez le bouton d'entrée (Input) pour sélectionner l'entrée Bluetooth, indiquée par le voyant en bleu du mode d'entrée. En l'absence d'un appareil précédemment apparié, le TVee entre automatiquement en mode d'appariement, et le voyant du mode d'entrée clignote en bleu. Réglez l'appareil Bluetooth pour l'appariement ou le mode de découverte (vérifiez le mode d'emploi de l'appareil). Sur votre appareil Bluetooth, le TVee sera indiqué ainsi : « TVee M30 ». Si votre appareil demande un code d'appariement, entrez le numéro **0000**. Une fois apparié, le voyant du mode d'entrée bleu deviendra fixe pendant plusieurs secondes.

Le TVee peut être apparié à plusieurs appareils (bien qu'un seul de ces appareils puisse transmettre une musique). Pour appairer des appareils supplémentaires, utilisez en premier lieu le bouton d'entrée pour sélectionner l'entrée Bluetooth. Ensuite, appuyez en même temps et maintenez enfoncés les boutons Input et Mute pendant 3 secondes. Le mode d'appariement commence comme ci-dessus, indiqué par un voyant clignotant en bleu.

Utilisation de votre appareil compatible Bluetooth avec le TVee

Après l'appariement d'au moins un appareil au TVee, le TVee recherche automatiquement d'autres appareils appariés disponibles quand vous choisissez l'entrée Bluetooth (indiqué par un voyant bleu clignotant lentement). En général, un téléphone intelligent ou un ordinateur doit être en mode de musique (comme le mode iPod ou iTunes) avant que le TVee se relie et joue la musique. Une fois relié à une source Bluetooth, le TVee reste relié à cet appareil jusqu'à ce que ce dernier soit éteint, hors d'atteinte ou que sa fonction Bluetooth soit désactivée. Si vous désirez passer à une autre source Bluetooth, vous devez interrompre la liaison Bluetooth (en passant à une entrée non Bluetooth sur le TVee ET en désactivant la fonction Bluetooth de l'appareil connecté). Ensuite, vous pouvez sélectionner à nouveau l'entrée Bluetooth sur le TVee et le relier au second appareil.

Note: si le TVee perd sa connexion avec un appareil Bluetooth tout en étant en mode Bluetooth, le TVee tentera de se reconnecter pendant 5 minutes, fonction indiquée par un voyant bleu clignotant lentement. En général, cela permet à l'utilisateur d'un téléphone intelligent de quitter la plage de réception, puis de revenir et de rétablir la liaison avec le TVee pour continuer à écouter de la musique.

La plage de réception typique pour un Bluetooth est d'environ 12 mètres ou moins. Cela dépend de la source Bluetooth, ainsi que des autres appareils qui partagent les mêmes fréquences de diffusion, comme les dispositifs Wi-Fi et les fours à micro-ondes.

Commutateur ID sans fil

Le caisson de basse sans fil se connecte automatiquement à la barre de son. La barre de son et le caisson de basse sans fil sont équipés d'un commutateur ID Sans Fil sur le panneau arrière. Ces commutateurs doivent être réglés sur le même numéro. Si vous utilisez plusieurs systèmes TVee dans votre maison, modifiez le numéro ID du second système pour que les transmissions sans fil soient différentes.

WIRELESS ID



Le caisson de basse doit être placé à environ 15 mètres de la barre de son pour une connexion sans fil. Un placement plus rapproché assure la connexion la plus fiable.

Le voyant du caisson de basse est vert quand ce dernier est activé et connecté sans fil. Le caisson de basse entre en mode veille s'il n'émet aucun son pendant plusieurs minutes et le voyant est rouge dans ce mode. Si le voyant clignote en vert, la liaison sans fil n'est pas établie, et le caisson de basse tente de se reconnecter. Assurez-vous que le commutateur ID sans fil du caisson de basse est réglé sur le même numéro que le commutateur ID sans fil de la barre de son, et consultez la section de dépannage du présent manuel pour avoir d'autres informations.

Dépannage du TVEe

La barre de son ne s'allume pas.

- L'alimentation est-elle branchée à une prise murale fonctionnelle ?
- L'alimentation est-elle correctement branchée à l'entrée de la barre de son ?
- L'interrupteur d'alimentation du panneau arrière est-il en position « ON » ?
- Le fusible a-t-il sauté ? Remplacez-le par un fusible de même type. S'il ressort très rapidement, l'unité devra faire l'objet d'une révision.

Aucun son provenant de la barre TVEe.

- La barre de son est-elle branchée à une source audio dont la sortie envoie un son ?
- La barre de son est-elle réglée à la source d'entrée correcte ?
- La barre de son et le caisson de basse reçoivent-ils du courant et sont-ils activés ?
- Augmentez le volume de la barre TVEe.
- Augmentez le volume de la télévision ou du décodeur auquel le TVEe est connecté.
- Vérifiez la sourdine – L'indicateur d'état clignote-t-il en vert ? Appuyez sur le bouton Sourdine de la barre de son.
- Pour les téléviseurs numériques et autres sources numériques, vérifiez que le format de sortie est réglé sur « Dolby Digital ». (Voir le menu de configuration du produit source)
- Pour les sources numériques, vérifiez que le câble optique n'est pas tordu ou cassé. (Cela interrompt le signal du voyant numérique)
- Pour les sources analogiques connectées aux prises RCA du panneau arrière, vérifiez qu'aucun câble n'est inséré dans l'entrée Aux du panneau latéral.

Aucun son provenant du caisson de basse.

- Vérifiez les points de la section ci-dessus « Aucun son provenant de la barre de son ».
- Augmentez le volume.
- Vérifiez que le réglage du commutateur ID sans fil est identique à celui de la barre de son.
- Rapprochez le caisson de la barre de son.

Son déformé provenant de la barre de son.

- Modifiez le réglage de l'interrupteur Trim Level pour augmenter le nombre. (Entrée analogique uniquement)
- Vérifiez la source du signal pour être certain que la distorsion ne provient pas de là.

Les basses ne sont suffisamment fortes.

- Augmentez le volume du caisson de basse.
- Placez le caisson de basse dans un coin de la pièce.
- Vérifiez que le réglage du commutateur ID sans fil est identique à celui de la barre de son.
- Certains téléviseurs et décodeurs sont pourvus d'un mode qui limite les basses. Vérifiez le menu de configuration audio du produit et réglez le mode audio sur « Large » au lieu de « normal » ou « étroit ».

Le TVEe ne reconnaît pas mes télécommandes.

- Suivez avec précaution les instructions de programmation.
 - Tenez la télécommande droite, à 30 cm de la face avant de la barre de son.
 - Appuyez et relâchez **l e n t e m e n t** les boutons de la télécommande !
 - Vérifiez les piles des télécommandes.
- Note:** le TVEe reconnaît la plupart des télécommandes. Cependant, certains protocoles IR ne peuvent pas être programmés.

Bruit « sec » quand j'éteins le téléviseur.

- Programmez le TVEe pour qu'il s'allume et s'éteigne avec le bouton d'alimentation de la télécommande du téléviseur.

Le volume des haut-parleurs de mon téléviseur devient supérieur à celui du TVEe au fil du temps.

- Quand le bouton de volume de la télécommande est maintenu enfoncé, le volume du téléviseur peut changer plus rapidement que celui du TVEe.
- Utilisez les boutons de la barre de son pour régler le volume du TVEe afin d'obtenir la bonne balance avec les haut-parleurs du téléviseur.
- Si possible, utilisez le menu de configuration du téléviseur pour mettre les haut-parleurs de la télévision en sourdine.

Interférence du signal sans fil du caisson de basse.

- Tentez de modifier les réglages des commutateurs ID Sans Fil de la barre de son et du caisson de basse.
- Le caisson de basse est peut-être trop loin de la barre de son pour obtenir un bon signal. Tentez de le rapprocher.

L'entrée Bluetooth ne s'apparie pas avec un appareil Bluetooth.

- Vérifiez que le TVEe est en mode d'appariement Bluetooth. (Voir instructions à la page précédente)
- Vérifiez que votre appareil Bluetooth est en mode d'appariement Bluetooth. (Voir les instructions de ce produit)
- Vérifiez que votre appareil Bluetooth supporte le protocole A2DP (profil de distribution audio avancée). Notez que certains produits pourvus de la fonction Bluetooth marchent uniquement avec des claviers ou des écouteurs Bluetooth, mais ne supportent peut-être pas le protocole A2DP.
- Vérifiez que votre source Bluetooth est dans une plage de 3 mètres pendant le processus d'appariement.
- Coupez et rallumez l'appareil Bluetooth (arrêt complet et redémarrage) et essayez à nouveau le processus d'appariement.

L'entrée Bluetooth ne jouera pas une source Bluetooth qui a déjà été appariée.

- Vérifiez que le TVee n'est pas relié à un appareil Bluetooth différent.
- Vérifiez que votre appareil Bluetooth joue une musique ou autre son.
- Notez que certains programmes et applications peuvent ne pas supporter la diffusion audio Bluetooth à partir de votre appareil. (En cas de doute, consultez les instructions du programme ou de l'application.)
- Annulez les sources d'interférences éventuelles, en particulier celles qui fonctionnent à 2,4 GHz (Wi-Fi, fours à micro-ondes, téléphones sans fil).

Garantie limitée

Boston Acoustics garantit à l'acheteur d'origine que les pièces mécaniques du système TVee ne comportent aucun défaut de pièce et de main d'œuvre pendant une période de 5 ans à partir de la date d'achat. La période de garantie des composants électriques du TVee est de 1 an.

Votre responsabilité consiste à installer et à utiliser les appareils en accord avec les instructions fournies, à assurer un transport sécurisé vers un représentant de service agréé de Boston Acoustics, et à présenter une preuve d'achat sous la forme d'un ticket de caisse en cas de demande de service après-vente.

Les dommages résultant d'une utilisation abusive ou erronée, d'une installation incorrecte, d'un accident, d'une expédition inadaptée ou de réparations / modifications par une personne autre qu'un représentant de service agréé de Boston Acoustics sont exclus de cette garantie.

La présente garantie est réservée au produit de Boston Acoustics et ne couvre pas les dommages d'un quelconque équipement associé. Elle ne couvre pas le coût de l'enlèvement ou de la réinstallation. La présente garantie est annulée si le numéro de série a été enlevé ou abîmé. Cette garantie vous accorde des droits légaux spécifiques. Vous pouvez disposer de droits complémentaires qui diffèrent d'un État à l'autre.

Demande de service après-vente

États-Unis

Veuillez contacter en premier lieu le revendeur auprès duquel vous avez acheté ce produit. Si aucune assistance n'est possible, veuillez envoyer un message par e-mail à : support@bostona.com ou par courrier à :

Boston Acoustics, Inc.
100 Corporate Drive
Mahwah, NJ 07490 États-Unis

Canada

Veuillez contacter en premier lieu le revendeur auprès duquel vous avez acheté ce produit. Si aucune assistance n'est possible, veuillez envoyer un message par e-mail à : support@dmcanada.ca ou par courrier à :

D&M Canada
5-505 Apple Creek Blvd
Markham, ON L3R 5B1

Tous les autres pays

Contactez le revendeur auprès duquel vous avez acheté ce produit ou contactez votre distributeur local.

Pour de plus amples informations, veuillez visiter le site bostonacoustics.com/support



La présence de ce symbole sur le produit indique que ce dernier ne peut pas être jeté avec les ordures ménagères. Vous devez le déposer dans une installation de collecte séparée, destinée aux déchets électroniques, ou le retourner chez un revendeur lors de l'achat d'un produit similaire. Le fabricant a payé pour le recyclage de ce produit. Ainsi, vous contribuez à la réutilisation et au recyclage ; vous minimisez les effets néfastes sur l'environnement et la santé ; et vous évitez des amendes pour une mise au rebut incorrecte.



300 Jubilee Drive, Peabody, MA 01960 USA
www.bostonacoustics.com

Boston, Boston Acoustics, the Boston Acoustics logo, and TVEe are registered trademarks of Boston Acoustics, Inc. Specifications are subject to change without notice. Dolby is a registered trademark of Dolby Laboratories. iPod and iTunes are registered trademarks of Apple Inc. Bluetooth is a registered trademark of Bluetooth SIG, Inc.
© 2011 Boston Acoustics, Inc. 142-003867-2