

PIXA

Delivering new performance standards in digital audio video connectivity

5.1 Speaker System Quick Start

(This is Quick guide for setting up 5.1 system to DW-804 DVD player and to the WS-100 wireless speaker stand.)

(DVD Player "DW-804" not included in this box)



Content

List of components.	p.2
Connecting Wireless system.	p.3
Connecting a None Wireless system.	p.4



Pixa, Inc.

7020 Koll Center Parkway, Suite 138., Pleasanton, CA 94566
Phone: (925) 426-9100, Fax: (925) 426-8200, web: www.pixainc.com

Thank you for choosing this product!

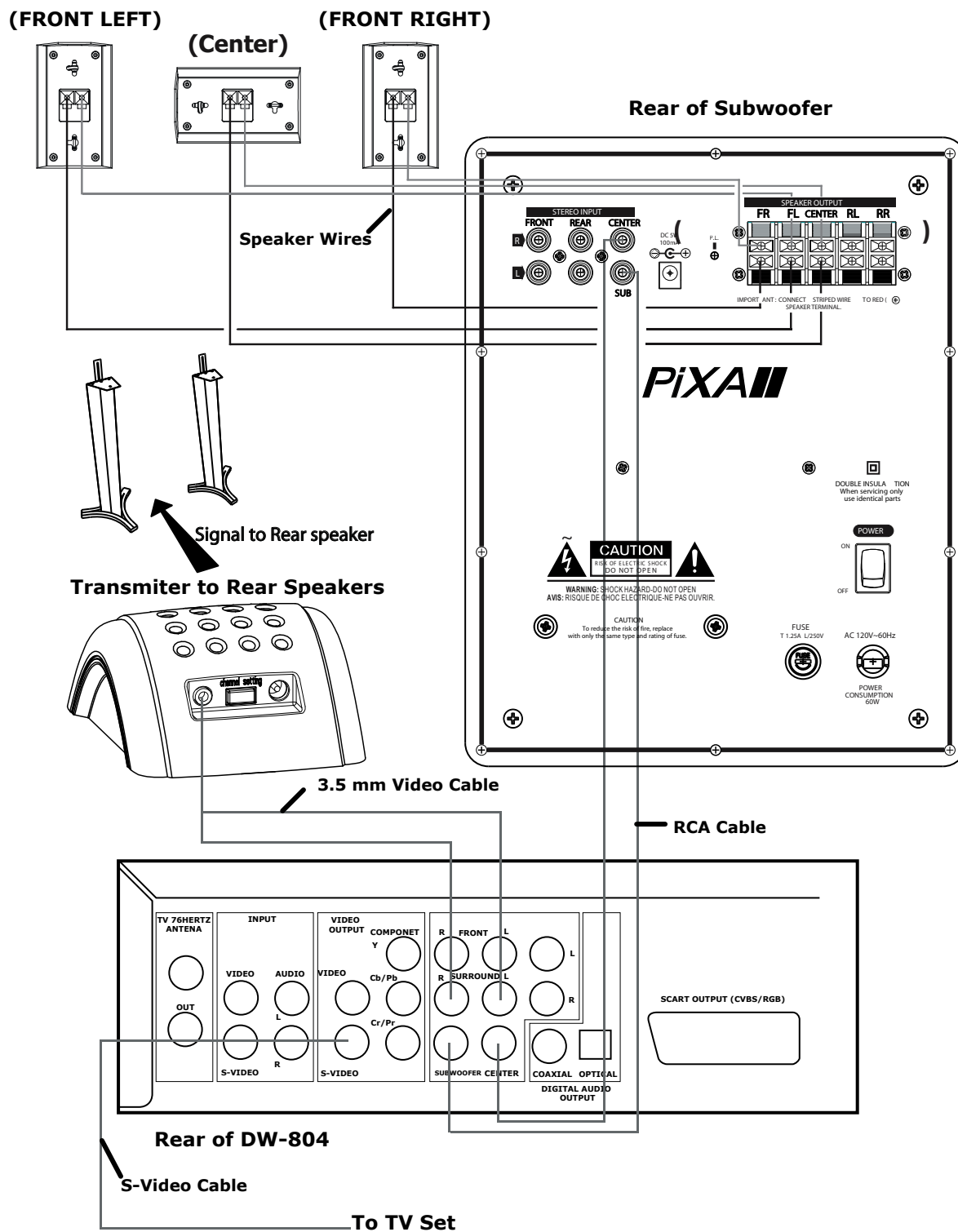
Please read this manual before installing.

Part 1.

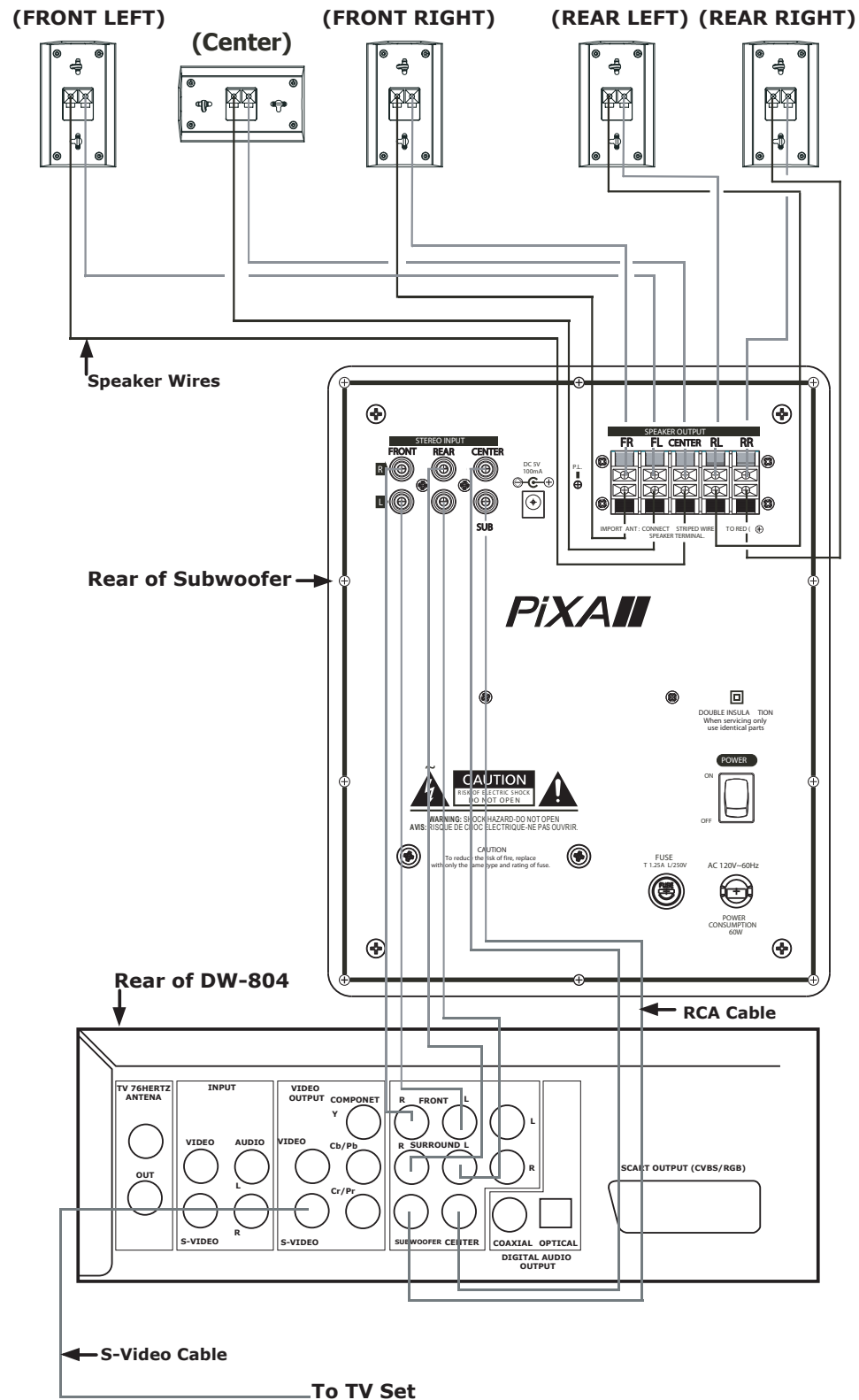
List of components.



Part 2. Connecting Wireless system.



Part 3. Connecting a None Wireless system.



PiXA 

Delivering new performance standards in digital audio video connectivity

WS-100 User Manual 2.4 GHz Wireless speaker system



Content

List of components.	p.2
How to assemble WS-100.	p.3
How to connect components.	p.4
The perfect opposite position.	p.4
How to operate the transmitter.	p.5
Company information.	p.5



Pixa, Inc.

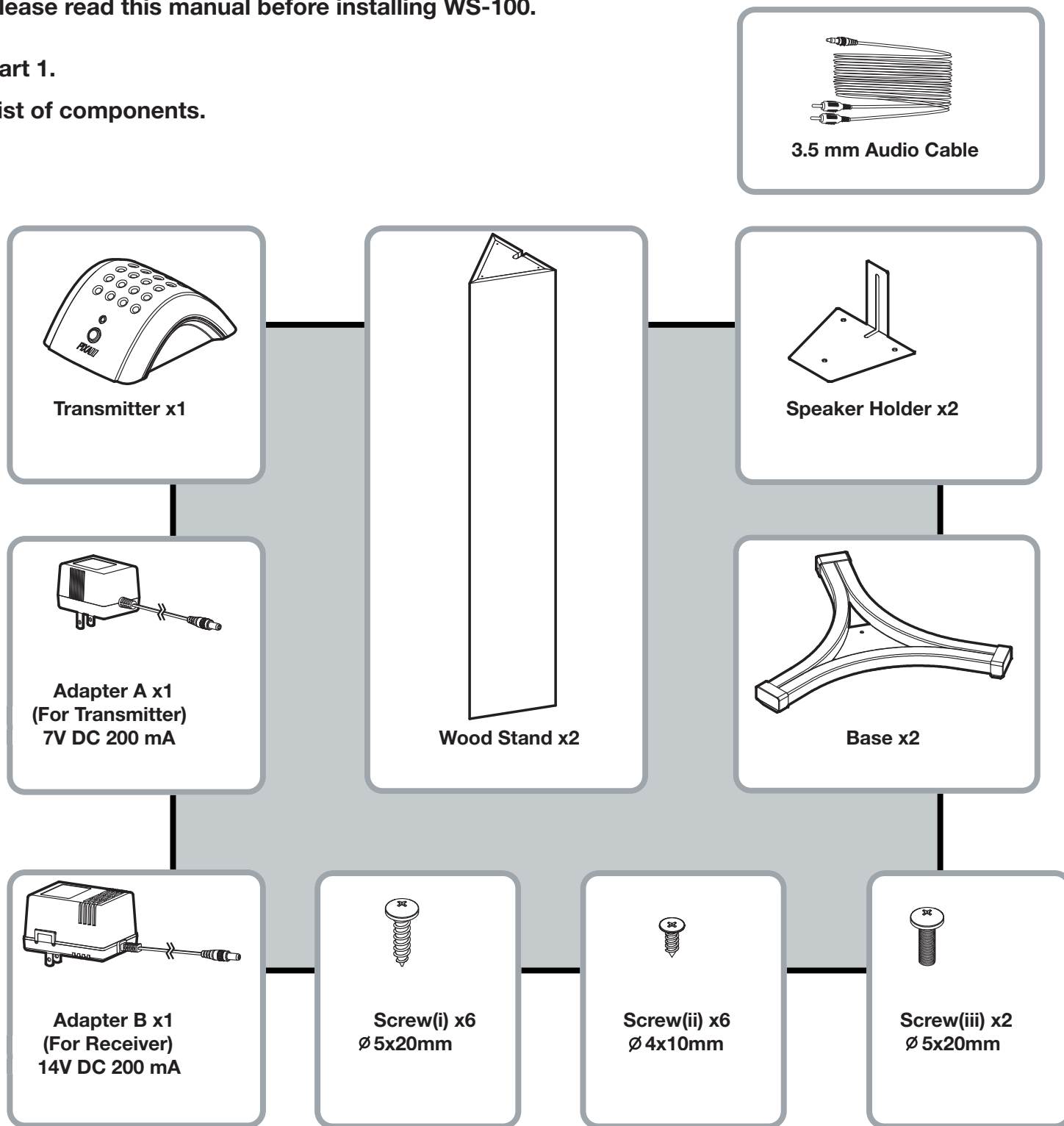
7020 Koll Center Parkway, Suite 138., Pleasanton, CA 94566
Phone: (925) 426-9100, Fax: (925) 426-8200, web: www.pixainc.com

Thank you for choosing this product!

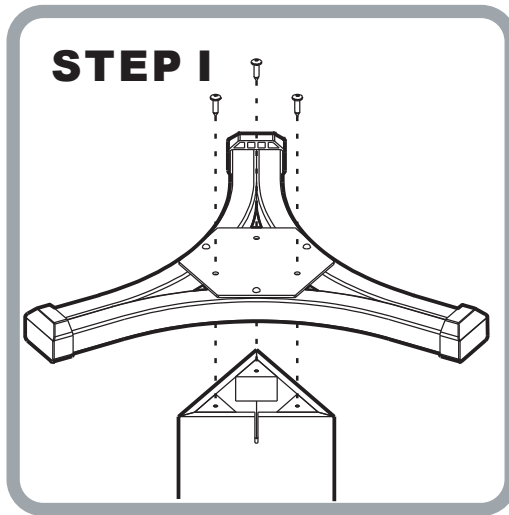
Please read this manual before installing WS-100.

Part 1.

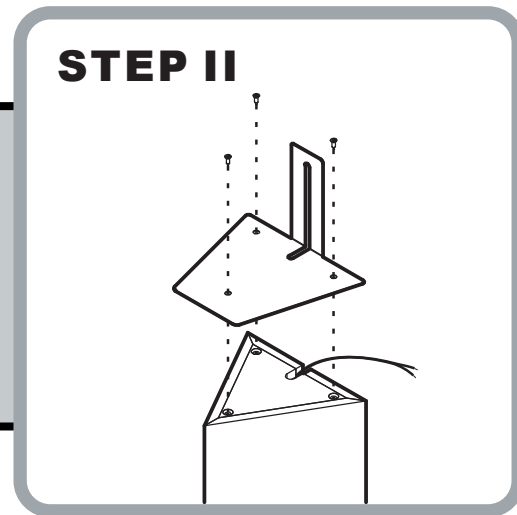
List of components.



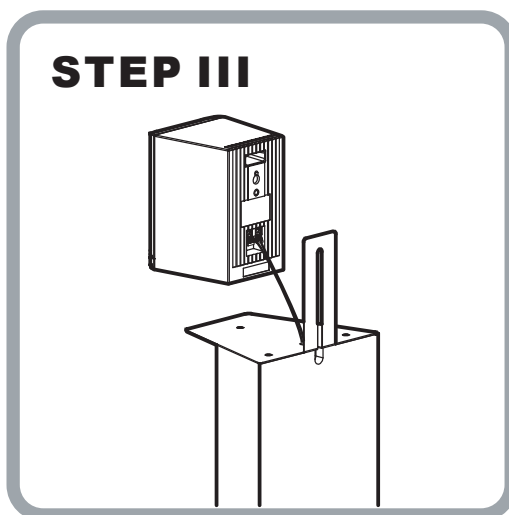
Part 2.
How to assemble WS-100.



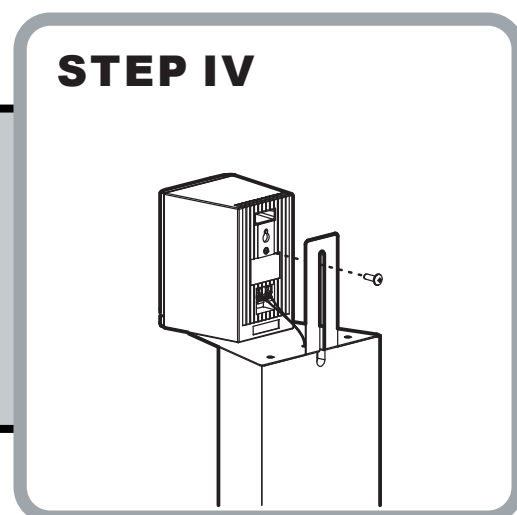
Use screws (i) to fix base on wood stand.



Use screws (ii) to fix speaker holder on wood stand.

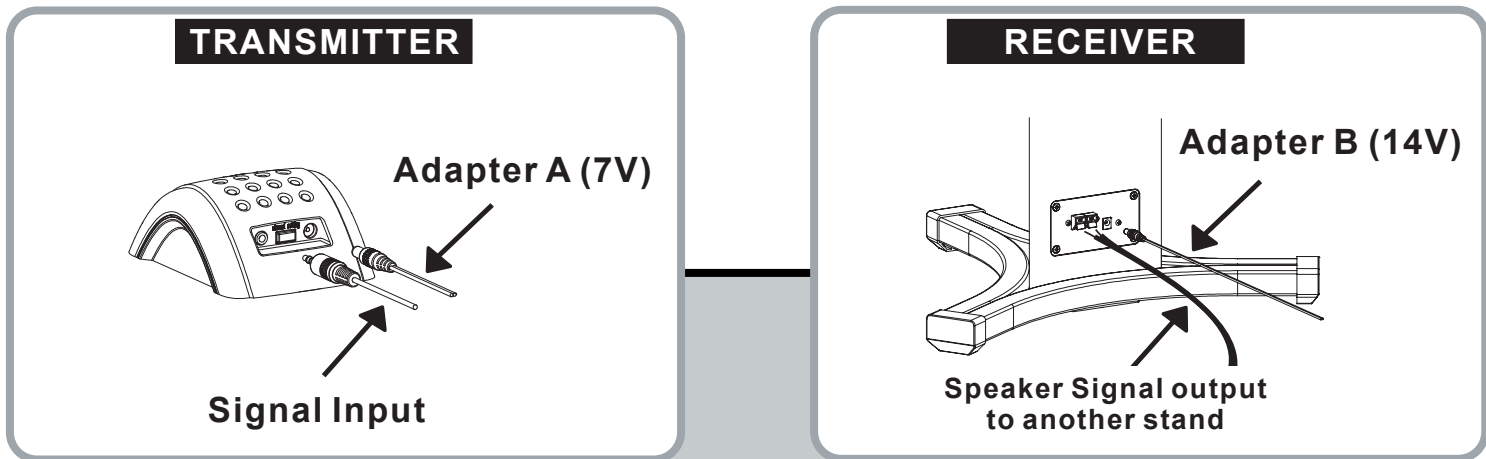


Connect line to speaker.

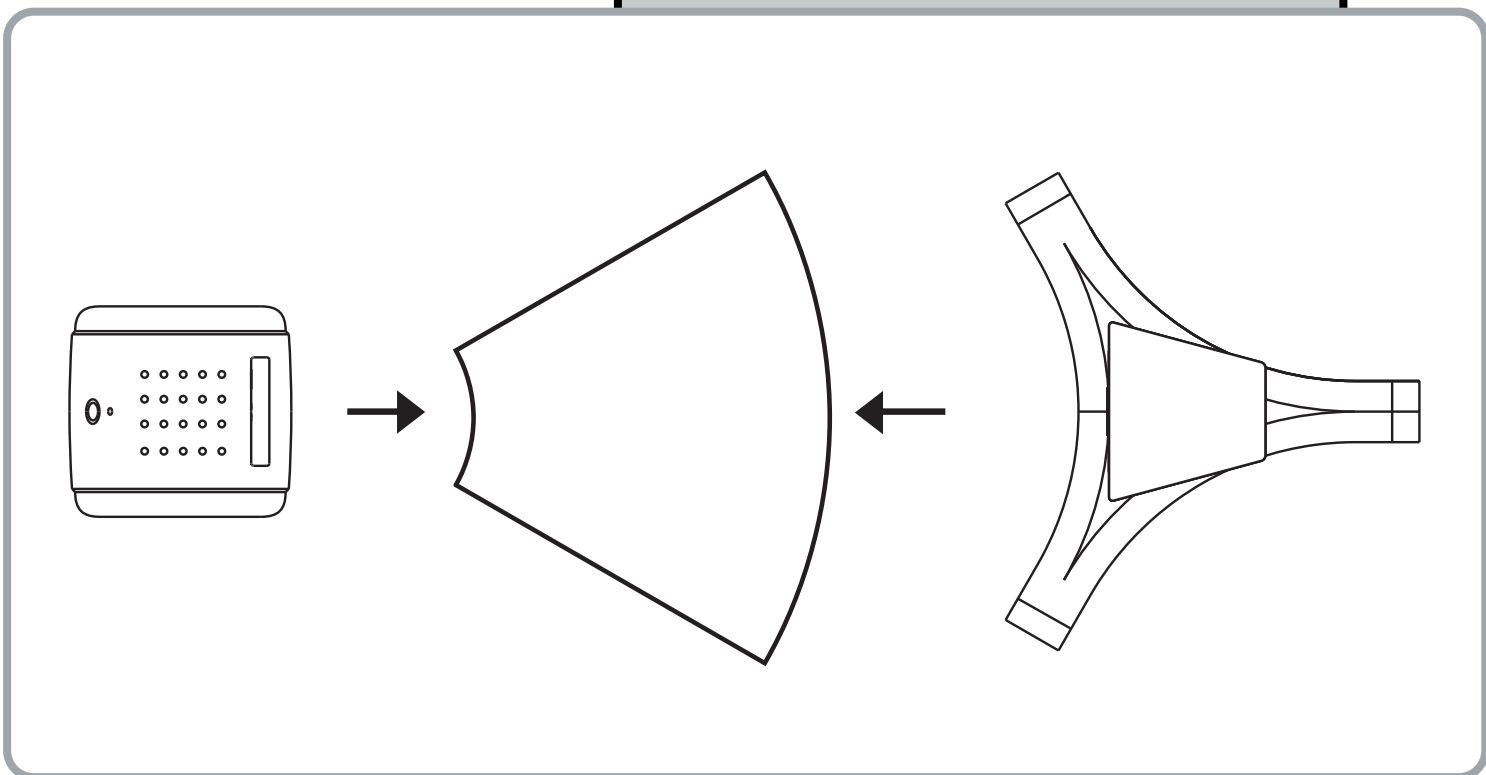


Use screws (iii) to fix speaker on speaker holder.

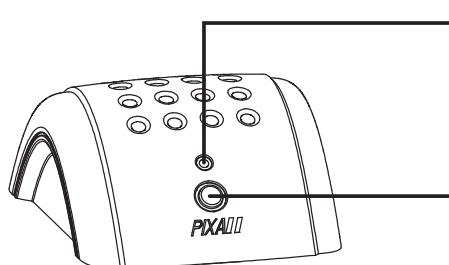
Part 3.
How to connect components.



Part 4.
The perfect opposite position.

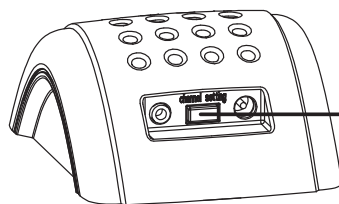


Part 5.
How to operate the transmitter.



Power Indicator

Power Button - Push to turn on or turn off the power.



Channel setting Button - Push to change the channel when the signal be jammed.

EXP: Bluetooth, Wlan, 2.4G wireless device.

CAUTION!

Place Receiver module far away from
Bluetooth, Wlan, 2.4G wireless device
to prevent interference problem.

Part 6.
Company information.

Pixa, Inc.

7020 Koll Center Parkway, Suite 138., Pleasanton, CA 94566
Phone: (925) 426-9100, Fax: (925) 426-8200, web: www.pixainc.com

IMPORTANT SAFETY INSTRUCTIONS

- 1. Read instructions-** Read all the safety and operating instructions before operating the unit.
- 2. Retain Instructions-** Retain the safety and operating instructions for future reference.
- 3. Heed Warnings-** Adhere to all warnings on the unit and in the operating instructions.
- 4. Follow Instructions-** Follow all operating instructions.
- 5. Cleaning-** Unplug the unit from the power outlet before cleaning. Do not use liquid cleaners or aerosol cleaners. Use a damp cloth for cleaning.
- 6. Attachments-** Do not use attachments that are not recommended by the unit's manufacturer because they may cause Hazards.
- 7. Water and Moisture-** Do not use this unit near water; for example near a bathtub, sink, laundry tub, in a wet basement, near a swimming pool, in an unprotected outdoor installation or any other wet location.
- 8. Accessories-** Do not place this unit on an unstable stand, tripod, bracket or mount. The unit may fall, seriously injuring a person or seriously damaging the



- unit. Use only with stands, tripods, brackets or mounts recommended by the manufacturer or sold with the unit. Follow manufacturer's instructions when mounting the unit and only use mounting accessories recommended by the manufacturer. Anytime a unit is on a cart, it should be moved with care. Sudden stops, excessive force and uneven surfaces may cause the appliance and cart combination to overturn.
- 9. Ventilation-** Openings in the enclosure, if any, are provided for the ventilation to ensure reliable operation of the unit and to protect it from overheating. These openings must not be blocked or covered. The unit should never be placed in a built-in installation unless proper ventilation is provided or the manufacturer's instructions have been followed.
 - 10. Heat-** Do not install near any heat sources such as radiators, heat registers, stoves or other apparatus (including amplifiers that produce heat).
 - 11. Power Sources-** This unit should be operated using only the type of power source indicated on the label. If you do not know the specifications of your power supply, consult your appliance dealer or local power company. For units powered by batteries or other sources, refer to the operating instructions.
 - 12. Grounding or Polarizing-** This unit may be equipped with a polarized power plug (a plug with one blade wider than the other). This plug will fit into the power outlet only one direction and is a safety feature. If you are unable to insert the plug fully into the outlet, try reversing the plug. If the plug still fails to fit, have a qualified electrician to replace the obsolete outlet. Do not modify the plug, which defeats the safety purpose of the polarized plug. Alternately, this unit may be equipped with a three-prong plug, having a grounding pin. This plug will only fit into a grounding type power outlet. This is a safety feature. If you are unable to insert the plug in the outlet, have a qualified electrician replace the obsolete outlet. So not

modify the plug, which will defeat the safety purpose of the plug.

- 13. Power-Cord Protection-** Route power cords so that they are not likely to be walked on or pinched by items placed upon them or against them. Pay particular attention to cords, plugs, receptacles and the point where cords exit the appliance.
 - 14. Power Lines-**An outdoor system should not be located near overhead power lines or other power circuits, or where it can fall into such power lines or circuits. **WARNING: WHEN INSTALLING AN OUTDOOR SYSTEM, USE EXTREME CAUTION TO AVOID TOUCHING POWER LINES OR CIRCUITS. CONTACT WITH THESE CAN CAUSE SERIOUS INJURY OR DEATH.** In the United States, refer to the National Electrical Code Article 820 regarding installation of CATV systems.
 - 15. Overloading-** Do not overload outlets and extension cords as this can result in a risk of fire or electrical shock.
 - 16. Object and Liquid Entry-** Do not push objects of any kind into the unit through openings as the objects may touch dangerous voltage points or short-out parts resulting in a fire or electrical shock. Never spill liquid of any kind on the unit.
 - 17. Servicing-** Do not attempt to service this unit. Opening or removing covers may expose you to dangerous voltage or other hazards. Refer all servicing to qualified personnel.
 - 18. Damage Requiring Service-** Unplug the unit from the power outlet and refer servicing to qualified service personnel under the following conditions:
 - a. When the power-supply cord or plug is damaged.
 - b. If liquid has been spilled or objects have fallen into the unit.
 - c. If the unit has been exposed to rain and water.
 - d. If the unit does not operate normally when following the operating instructions. Adjust only those controls that are discussed in the operating instructions. Adjusting other controls may result in damage and will often require extensive work by a qualified technician to restore the unit to its normal operation.
 - e. If the unit has been dropped or the cabinet has been damaged.
 - f. When the unit exhibits a distinct change in performance, this indicates a need for service.
 - 19. Replacement Parts-** When replacement parts are required, be sure the service technician uses replacement parts specified by the manufacturer or that have the same characteristics as the original parts. Unauthorized substitutions may result in fire, electrical shock or other hazards.
 - 20. Safety Check-** Upon completion of any service or repairs to this unit, ask the service technician to perform safety checks to determine that the unit is in proper operating condition.
 - 21. Lighting-**Unplug the power cord for added protection of this unit during lightning storms or when it is left unattended and unused for a long time.
- Caution-**Use of any controls or adjustments or performance of procedures other than those specified herein may result in hazardous radiation exposure.

Federal Communication Commission Interference Statement

This equipment has been tested and found to comply with the limits for a Class B digital device, pursuant to Part 15 of the FCC Rules. These limits are designed to provide reasonable protection against harmful interference in a residential installation.

This equipment generates, uses and can radiate radio frequency energy and, if not installed and used in accordance with the instructions, may cause harmful interference to radio communications. However, there is no guarantee that interference will not occur in a particular installation. If this equipment does cause harmful interference to radio or television reception, which can be determined by turning the equipment off and on, the user is encouraged to try to correct the interference by one of the following measures:

- . Reorient or relocate the receiving antenna.
- . Increase the separation between the equipment and receiver.
- . Connect the equipment into an outlet on a circuit different from that to which the receiver is connected.

- .Consult the dealer or an experienced radio/TV technician for help.

FCC Caution :To assure continued compliance, any changes or modifications not expressly approved by the party responsible for compliance could void the user's authority to operate this equipment. (Example - use only shielded interface cables when connecting to computer or peripheral devices).

FCC Radiation Exposure Statement

This equipment complies with FCC RF radiation exposure limits set forth for an uncontrolled environment. This equipment should be installed and operated with a minimum distance of 20 centimeters between the radiator and your body.