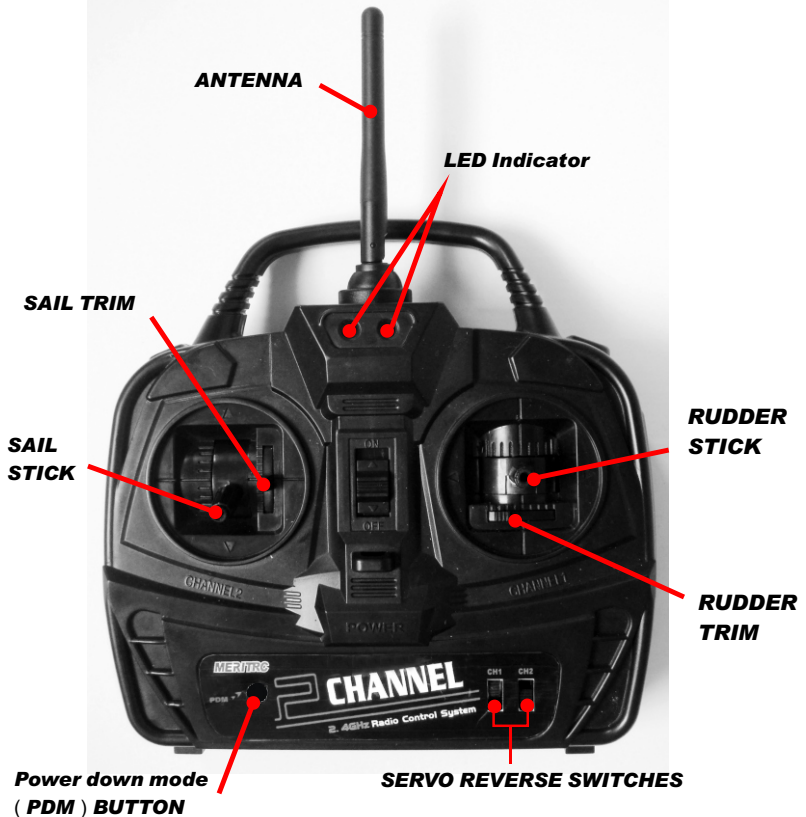


**2CH 2.4GHz RADIO SYSTEM INSTRUCTION (T2HF)**



**LED INDICATOR LIGHTS**

Two LEDs display to indicate the battery voltage level, power down mode and ID set up function.

**SERVO REVERSE SWITCHES**


Servo reverse switches reverse the direction of the operation of the servos. The lower position is normal and upper position is reverse.

**CHANNELS:**

CH1: Rudder

CH2: Sail

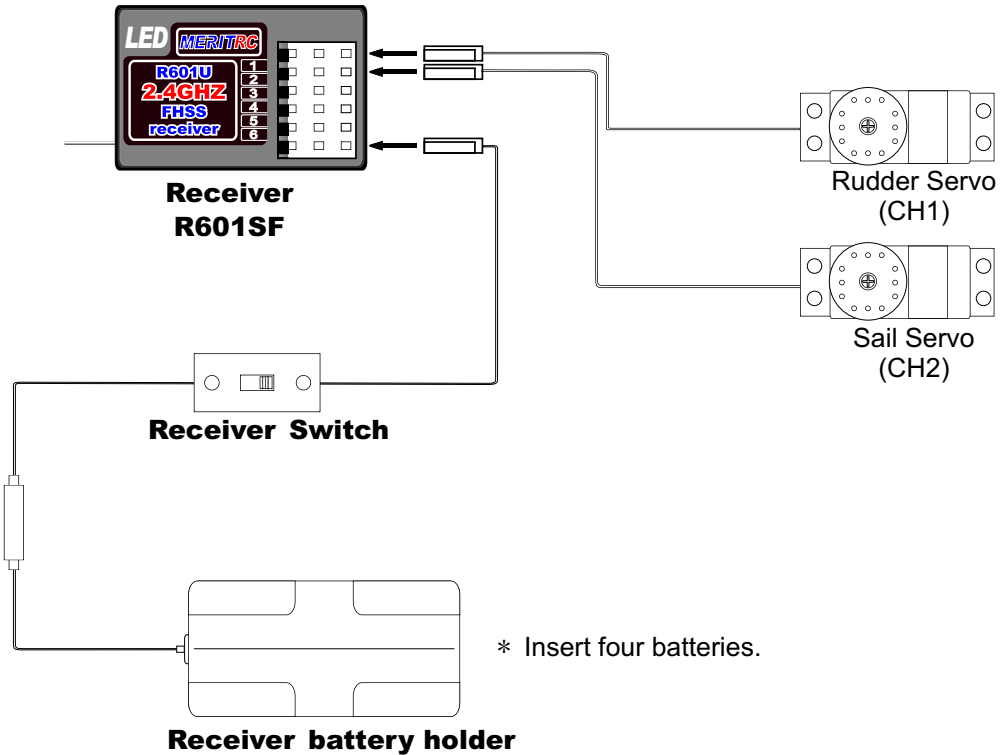
**REAR PANNEL**

The transmitter needs 8 AA batteries (sold separately). To open the battery compartment slide the cover down while pressing the part marked: 

## CONNECTIONS

Connection example is shown below.

### Connection Example



### 2.4GHZ FHSS RADIO SYSTEM SETUP

2.4GHz systems have different characteristics than that of the conventional frequencies therefore ,please read the section carefully to enjoy safe sailing with the 2.4GHz systems.

---

**RECEIVER ANTENNA INSTALLATION**

---

The receiver has one antenna.

Lay & tape the antenna on the hatch seal as shown .

1. The antenna must be kept away from conductive material ,such as material and carbon by at least half an inch. The coaxial part of the antenna does not need to follow these guidelines ,but don't bend it in a small radius.
2. Keep the antenna away from any noise sources as much as possible.
3. Cover the hatch cover with rubber band.

**This photo demonstrates how the antennas should be placed .For actual installation the receiver must be wrapped in anti-vibration foam to protect it from vibration damage.**



The receiver contains precision electronic parts. It is the most delicate radio component on-board the boat and should be protected from vibration, shock and temperature extremes .To protect the receiver, wrap it in R/Cfoam rubber or other vibration-absorbing material. If appropriate, waterproof the receiver by placing it in a plastic bag and closing the open band with a rubber before wrapping it in foam .If moisture enters the receiver, intermittent operation or a failure may result.

**TRANSMITTER ANTENNA**

1. The transmitter antenna is adjustable so please make sure that the antenna is never pointed directly at the boat when sailing as this creates a weak signal for the receiver.
2. Keep the antenna perpendicular to the transmitter's face to create a better RF condition for the receiver. Of course this depends on how you hold the transmitter, but in most cases, adjusting the transmitter antenna so that it is perpendicular to the face will give the best results. Please adjust transmitter antenna to the way you hold the transmitter.

**PAIR PROCEDURE**

The transmitter has an individual ID that is assigned to it in the factory. In order to start operation, the receiver must be linked with the Id code of the transmitter with which it is being paired. Once the link is made, the ID code is stored in the receiver and no further linking is necessary unless the receiver is to be used with another transmitter. If you purchase another MERITRC receiver this procedure is necessary, otherwise the receiver will not work.

1. Place the transmitter and receiver close to each other (with 1 meter).
2. Turn on the transmitter then the receiver. If they are not paired, the read LED on the receiver will blink slowly or be off, follow the next steps to link and pair the receiver and the transmitter.
3. Press the transmitter “PDM” switch, the two LEDs blink alternately, then release the switch. Turn on the receiver power, then press down the receiver “pair button” switch for more than two seconds, once paired the receiver LED will start to blink quickly, it shows they are paired, release the switch.
4. Press the transmitter “PDM” button again, when the linkage is complete, the receiver LED will change to solid read and receiver will start to respond to the transmitter after 2 seconds.

Please refer to the table below for the LED status indicating the receiver condition.

Receiving signals an ID is matched: ON

Receiving signals, but ID is not matched: Off

No signal reception: Off

Receiver ID memory is empty: Blink slowly.

To keep the receiver and transmitter pairing memory, turn off the transmitter after above procedures. then turn on again. Now, the transmitter and receiver can talk to each other smoothly.

---

**Federal Communications Commission (FCC) Statement**

---

This equipment has been tested. And it found to comply with the limits for a Class B digital device pursuant to Part 15 of the FCC Rules. These limits are designed to provide reasonable protection against harmful interference in a residential installation. This equipment generates and uses and radiates radio frequency energy and, if not installed and used in accordance with the instruction, may cause harmful interference to radio communications. However, there is no guarantee that interference will not occur in a particular installation. If this equipment does cause harmful interference to radio or television reception, which can be determined by turning the equipment off and on, the user is encouraged to try to correct the interference by one or more of the following measures:

- Reorient or relocate the receiving antenna.
- Increase the separation between the equipment and receiver.
- Connect the equipment into an outlet on a circuit different from that to which the receiver is connected
- Consult the dealer or an experienced radio /TV technician for help.

Warning: A shielded-type power cord is required in order to meet FCC emission limits and also to prevent interference to the nearby radio and television reception. It is essential that only the supplied power cord be used.

1. This device complies with Part 15 of the FCC Rules. Operation is subject to the following two conditions: (1) This device may not cause harmful interference, and (2) This device must accept any interference received, including interference that may cause undesired operation.
2. Changes or modifications not expressly approved by the party responsible for compliance could void the user's authority to operate the equipment.

**This device complies with Part 15 of the FCC Rules. Operation is subject to the following two conditions:**

- (1)This device may not cause harmful interference, and**
- (2)This device must accept any interference receive,including interference that may cause undesired operation.**

***MERITRC***

1058 Taogan Road, Sheshan, Songjiang district,  
Shanghai, China 201602

Tel: 86-21-57793858