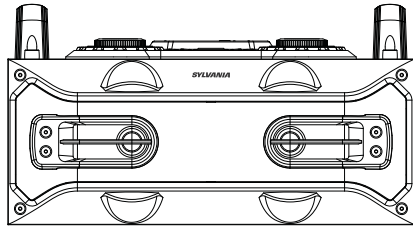


# SYLVANIA

## BLUETOOTH SPEAKER

MODEL NO.: SP548



## SAFETY INSTRUCTIONS

### FCC WARNING:

This equipment may generate or use radio frequency energy. Changes or modifications to this equipment may cause harmful interference unless the modifications are expressly approved in the instruction manual. The user could lose the authority to operate this equipment if an unauthorized change or modification is made.

### SURGE PROTECTORS:

It is recommended to use a surge protector for AC connection. Lightning and power surges ARE NOT covered under warranty for this product.

### INFORMATION:

This equipment has been tested and found to comply with the limits for a Class B digital device, pursuant to Part 15 of the FCC Rules. These limits are designed to provide reasonable protection against harmful interference in a residential installation. This equipment generates, uses and can radiate radio frequency energy and, if not installed and used in accordance with the instructions, may cause harmful interference to radio or television reception, which can be determined by turning the equipment off and on, the user is encouraged to try to correct the interference by one or more of the following measures:

- \* Reorient or relocate the receiving antenna.
- \* Increase the separation between the equipment and receiver.
- \* Connect the equipment into an outlet on a circuit different from that to which the receiver is connected.
- \* Consult the dealer or an experienced radio/TV technician for help.

## SAFETY INSTRUCTIONS

Before using the unit, be sure to read all operating instructions carefully. Please note that these are general precautions and may not pertain to your unit. For example, this unit may not have the capability to be connected to an outdoor antenna.

### 1. READ INSTRUCTIONS

All the safety and operating instructions should be read before the product is operated.

### 2. RETAIN INSTRUCTIONS

The safety and operating instructions should be retained for future reference.

### 3. HEED WARNINGS

All warnings on the product and in the operating instructions should be adhered to.

### 4. FOLLOW INSTRUCTIONS

All operating and use instructions should be followed.

### 5. CLEANING

Unplug this product from the wall outlet before cleaning. Do not use liquid cleaners or aerosol cleaners. Use a dry cloth for cleaning.

### 6. ATTACHMENTS

Do not use attachments not recommended by the product's manufacturer as they may cause hazards.

### 7. WATER AND MOISTURE

Do not use this product near water—for example: near a bathtub, washbowl, kitchen sink or laundry tub; in a wet basement; or near a swimming pool.

### 8. ACCESSORIES

Do not place this product on an unstable cart, stand, tripod, bracket or table. The product may fall, causing serious injury and serious damage to the product. Use only with a cart, stand, tripod, bracket or table recommended by the manufacturer or sold with the product. Any mounting of the product should follow the manufacturer's instructions, and should use a mounting accessory recommended by the manufacturer.

An appliance and cart combination should be moved with care. Quick stops, excessive force and uneven surfaces may cause the appliance and cart combination to overturn.

### 9. VENTILATION

Slots and openings in the cabinet and in the back or bottom are provided for ventilation, to ensure reliable operation of the product and to protect it from overheating. These openings must not be blocked or covered. The openings should never be blocked by placing the product

on a bed, sofa, rug or other similar surface. This product should never be placed near or over a radiator or heat source. This product should not be placed in a built-in installation such as a bookcase or rack unless proper ventilation is provided or the manufacturer's instructions have been adhered to.

### 10. POWER SOURCES

This product should be operated only from the type of power source indicated on the marking label. If you are not sure of the type of power supply to your home, consult your appliance dealer or local power company. For products intended to operate from battery power, or other sources, refer to the operating instructions.

### 11. GROUNDING OR POLARIZATION

This product is equipped with a polarized alternating-current line plug (a plug having one blade wider than the other). This plug will fit into the power outlet only one way. This is a safety feature. If you are unable to insert the plug fully into the outlet, try reversing the plug. If the plug should still fail to fit, contact your electrician to replace your obsolete outlet. Do not defeat the safety purpose of the polarized plug.

### 12. POWER-CORD PROTECTION

Power-supply cords should be routed so that they are not likely to be walked on or pinched by items placed upon or against them, paying particular attention to cords at plugs, convenience receptacles, and the point where they exit from the appliances.

### 13. LIGHTNING

To protect your product from a lightning storm, or when it is left unattended and unused for long periods of time, unplug it from the wall outlet and disconnect the antenna or cable system. This will prevent damage to the product due to lightning and power-line surges.

### 14. POWER LINES

An outside antenna system should not be located in the vicinity of overhead power lines or other electric light or power circuits, or where it can fall into such power lines or circuits. When installing an outside antenna system, extreme care should be taken to keep from touching such power lines or circuits as contact with them might be fatal.

### 15. OVERLOADING

Do not overload wall outlets and extension cords as this can result in a risk of fire or electric shock.

### 16. OBJECT AND LIQUID ENTRY

Never push objects of any kind into this product through openings as they may touch dangerous



## INSTRUCTION MANUAL

PLEASE READ BEFORE OPERATING THIS EQUIPMENT

SYLVANIA is a registered trademark of OSRAM Sylvania Inc. used under license.

"The device has been evaluated to meet general RF exposure requirement. The device can be used in portable exposure condition without restriction."

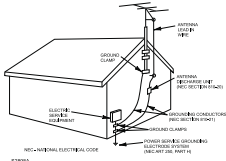
1

## SAFETY INSTRUCTIONS

voltage points or short out parts that could result in fire or electric shock. Never spill or spray any type of liquid on the product.

### 17. OUTDOOR ANTENNA GROUNDING

If an outside antenna is connected to the product, be sure the antenna system is grounded so as to provide some protection against voltage surges and built-up static charges. Section 810 of the National Electric Code, ANSINFPFA 70, provides information with respect to proper grounding of the mast and supporting structure, grounding of the lead-in wire to an antenna discharge product, size of grounding conductors, location of antenna discharge product, connection to grounding electrodes and requirements for grounding electrodes.



EXAMPLE OF ANTENNA GROUNDING AS PER NATIONAL ELECTRICAL CODE

### 18. SERVICING

Do not attempt to service this product yourself as opening or removing covers may expose you to dangerous voltage or other hazards. Refer all servicing to qualified service personnel.

### 19. REPLACEMENT PARTS

When replacement parts are required, be sure the service technician uses replacement parts specified by the manufacturer or those that have the same characteristics as the original part. Unauthorized substitutions may result in fire, electric shock or other hazards.

### 20. SAFETY CHECK

Upon completion of any service or repairs to this product, ask the service technician to perform safety checks to determine that the product is in proper operating condition.

### 21. WALL OR CEILING MOUNTING

The product should be mounted to a wall or ceiling only as recommended by the manufacturer.

### 22. DAMAGE REQUIRING SERVICE

Unplug the product from the wall outlet and refer servicing to qualified service personnel under the following conditions:

- a. When the power-supply cord or plug is damaged,
- b. If liquid has been spilled or objects have fallen into the product.
- c. If the product has been exposed to rain or water.
- d. If the product does not operate normally by following the operating instructions. Adjust only those controls that are covered by the operating instructions, as an adjustment of other controls may result in damage and will often require extensive work by a qualified technician to restore the product to its normal operation.
- e. If the product has been dropped or the cabinet has been damaged.
- f. When the product exhibits a distinct change in performance this indicates a need for service.

### 23. HEAT

The product should be situated away from heat sources such as radiators, heat registers, stoves or other products (including amplifiers) that produce heat.

### 24. NOTE TO CATV SYSTEM INSTALLER

This reminder is provided to call the CATV system installer's attention to Article 820-40 of the NEC that provides guidelines for proper grounding and, in particular, specifies that the cable ground shall be connected to the grounding system of the building, as close to the point of cable entry as practical.

## Table of Contents

Your Bluetooth light up speaker .....	4
Features	
Includes	
Charging instructions .....	4
Charging the battery for first time	
Recharging the internal battery	
Battery Note and Care	
Orientation .....	6
Features & Controls	
Bluetooth operation .....	7
Getting connected	
Playing music from an external Bluetooth device	
Auxiliary operation .....	7
Treble and Bass .....	8
Specifications .....	8
Trouble Shooting .....	9

## Your Bluetooth Light up Speaker

### Features

- Supports Bluetooth v2.1+EDR
  - Supports profile A2DP
  - Supports automatic device pairing
  - Wireless range: 30 feet
  - Pairing button
  - Play/pause button
  - Skip forward/back button
  - On/off switch
  - Treble/Bass/Volume control
  - Bluetooth/AUX indicator
  - Charge indicator
  - 3.5mm AUX IN jack for player etc
  - Internal rechargeable battery
  - DC input for battery recharging
  - Light up LED speaker
- Includes**
- USB Cable
  - User manual

## Charging instructions

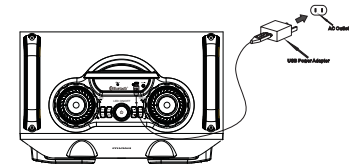
This unit operates on an internal Li-Ion battery that can be recharged either using the USB port on your computer or from a USB power adaptor (not included) with a rated output of DC 5V/500mA and up.

### Charging the battery for first time

1.) Charge the internal Li-Ion battery a minimum of 3 hours prior to first use. Plug the unit into the USB port on your computer or into a USB power adaptor (not included) using the included USB cable.

2.) The CHARGER indicator will light red while charging and light will be off when the unit is fully charged. Unplug the USB cable from the power source once the battery is fully charged.

3.) The red LED will be flashing when the battery is low.



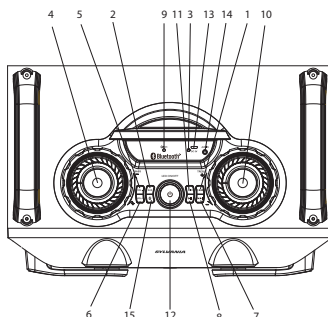
3

4

5

## Orientation

### Features & Controls



- |                        |  |
|------------------------|--|
| 1. ◀◀ Previous button. | 8. ▶▶ button.                          |
| 2. AUX IN MODE button. | 9. WORKING MODE indicator.             |
| 3. CHARGER indicator.  | 10. TREBLE knob.                       |
| 4. BASS knob.          | 11. BLUETOOTH PAIR button.             |
| 5. VOLUME DOWN button. | 12. POWER ON/OFF and LED ON/OFF button |
| 6. VOLUME UP button.   | 13. DC IN socket.                      |
| 7. ▶▶ Forward button.  | 14. AUX IN jack.                       |
|                        | 15. BLUETOOTH MODE button.             |

6

## Bluetooth operation

External devices that have a built-in Bluetooth feature can connect wirelessly to the Blue Speaker.

### GETTING CONNECTED

- Power on the unit by pressing and holding the Power button for 3 seconds then pressing the Bluetooth Mode button. It will go to Bluetooth mode and will light blue with flashing.
- Set the Bluetooth function of your external device to ON and begin searching for devices.  
**NOTE:** The effective distance between your external device and this apparatus is 10 meters(30 feet).
- Once "SP548" appears on the paired device list of your external device, select it.
- If you are asked for a password, enter "0000".
- A beep will be heard and WORKING MODE indicator light blue steadily that indicates a connection has been established.
- A few seconds later your Bluetooth connection should be ready to use.
- If you want to pair a new device, press the Pair button from the unit, it can be disconnected immediately and will go to pairing mode then repeat from step 3-5.

### PLAYING MUSIC FROM AN EXTERNAL BLUETOOTH DEVICE

- Follow the "GETTING CONNECTED" steps above to pair your external device.
- Turn on the music player program on your external device and set it to play. Normally, you can control music playback with the ◀◀ button, ▶▶ and ▶▶ buttons on the Bluetooth Speaker.
- Audio played through the connected Bluetooth Device will now be heard through the speakers.
- Press the VOLUME UP/DOWN button to obtain the desired volume level.
- Press and hold the POWER button for 3 seconds to turn off the unit.

### TREBLE AND BASS

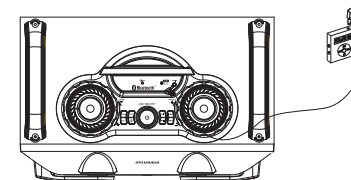
Twist the TREBLE knob and BASS knob to adjust the treble and bass levels.

7

## Auxiliary operation

External (auxiliary) audio sources such as tablets smartphones or MP3 players can connect to the Bluetooth Light up Speaker via aux-in.

- Press and hold the POWER button for 3 seconds then pressing the AUX IN Mode button to enter AUX IN mode. The working mode indicator light green(AUX mode)
- Press the VOLUME UP/DOWN button to obtain the desired volume level.
- Plug in an AUX IN cable (Not Include) into the AUX IN jack on the top of the unit.
- Plug the other end of the cable into the headphone or Line-Out jack of the external source.
- Turn on the external audio device and set it to play. Turn the external audio device's volume up to 2/3.



### TREBLE AND BASS

Twist the TREBLE knob and BASS knob to adjust the treble and bass levels.

NOTE: Press the Power button once that it can turn off the blue LED lights.

## Specification

### Power Requirement:

DC input : DC 5V 500mA (Micro USB)  
 Battery: built-in rechargeable lithium battery 1200mAh  
 Bluetooth: Bluetooth V 2.1 + EDR  
 Support profile A2DP  
 Audio Power output: 3W x2  
 Speaker: 5W 2 Ohms 4 inch x 2

8

## Trouble Shooting

PROBLEM	POSSIBLE CAUSE	REMEDY
<b>GENERAL</b>		
No Charging	The USB power adaptor (not included) is not plugged into a wall outlet or the USB cable (included) is not plugged into the mini USB jack on the unit.  Wall outlet is not functioning.  Computer USB port is not functioning.	Plug the USB power adaptor (not included) into a wall outlet and plug the USB cable (included) into the mini USB jack on the unit.  Plug another device into the same outlet to confirm the outlet is working.  Make sure your computer power is turned on and try another USB port.
No Sound	The unit battery is exhausted.  Volume set too low.	Recharge the unit battery.  Press the Volume Up button to increase the sound level.
<b>BLUETOOTH</b>		
No sound when playing audio via Bluetooth	Your Bluetooth device has been paired properly.  The unit placement out of range.  The volume control of your Bluetooth device is set at too low.  The volume control of the main unit is set at too low.	Pairing your Bluetooth device according to the "Pairing a Bluetooth Device for the First Time" section.  Relocate the unit within Bluetooth operating range (30 feet).  Increase the volume of your Bluetooth device.  Increase the volume of the main unit to turn to your wish..
<b>AUXILIARY</b>		
No sound in AUX mode	Volume at minimum.  External device not connected properly.	Press the Volume Up button  Clear contact pins and connect again.

9