

SYLVANIA

MODEL NO. SRCD286BT

**BLUETOOTH PORTABLE CD RADIO
BOOMBOX**

OWNER'S MANUAL



PLEASE READ BEFORE USING THIS UNIT

SAFETY INSTRUCTIONS



CAUTION

**RISK OF ELECTRIC SHOCK
DO NOT OPEN**



CAUTION: TO REDUCE THE RISK OF ELECTRIC SHOCK, DO NOT REMOVE COVER (OR BACK). NO USER-SERVICEABLE PARTS INSIDE. REFER SERVICING TO QUALIFIED SERVICE PERSONNEL.



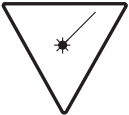
DANGEROUS VOLTAGE:

The lightning flash with arrowhead symbol, within an equilateral triangle is intended to alert the user to the presence of uninsulated dangerous voltage within the product's enclosure that may be of sufficient magnitude to constitute a risk of electric shock to persons.



ATTENTION:

The exclamation point within an equilateral triangle is intended to alert the user to the presence of important operating and maintenance (servicing) instructions in the literature accompanying the appliance.



DANGER:

Invisible and hazardous laser radiation when open and interlock failed or defeated. Avoid direct exposure to beam.

LASER SAFETY: This unit employs a laser. Only qualified service personnel should attempt to service this device due to possible eye injury.

CAUTION: USE OF CONTROLS, ADJUSTMENTS OR PERFORMANCE PROCEDURE HEREIN MAY RESULT IN HAZARDOUS RADIATION EXPOSURE.

INFORMATION:

This equipment has been tested and found to comply with the limits for a Class B digital device, pursuant to Part 15 of the FCC Rules. These limits are designed to provide reasonable protection against harmful interference in a residential installation. This equipment generates, uses and can radiate radio frequency energy and, if not installed and used in accordance with the instructions, may cause harmful interference to radio communications. However, there is no guarantee that interference will not occur in a particular installation. If this equipment does cause harmful interference to radio or television reception, which can be determined by turning the equipment off and on, the user is encouraged to try to correct the interference by one or more of the following measures:

- * Reorient or relocate the receiving antenna.
- * Increase the separation between the equipment and receiver.
- * Connect the equipment into an outlet on a circuit different from that to which the receiver is connected.
- * Consult the dealer or an experienced radio/TV technician for help.

FCC WARNING:

This equipment may generate or use radio frequency energy. Changes or modifications to this equipment may cause harmful interference unless the modifications are expressly approved in the instruction manual. The user could lose the authority to operate this equipment if an unauthorized change or modification is made.

SURGE PROTECTORS:

It is recommended to use a surge protector for AC connection. Lightning and power surges ARE NOT covered under warranty for this product.

SAFETY INSTRUCTIONS

Before using the unit, be sure to read all operating instructions carefully. Please note that these are general precautions and may not pertain to your unit. For example, this unit may not have the capability to be connected to an outdoor antenna.

1. READ INSTRUCTIONS

All the safety and operating instructions should be read before the product is operated.

2. RETAIN INSTRUCTIONS

The safety and operating instructions should be retained for future reference.

3. HEED WARNINGS

All warnings on the product and in the operating instructions should be adhered to.

4. FOLLOW INSTRUCTIONS

All operating and use instructions should be followed.

5. CLEANING

Unplug this product from the wall outlet before cleaning. Do not use liquid cleaners or aerosol cleaners. Use a dry cloth for cleaning.

6. ATTACHMENTS

Do not use attachments not recommended by the product's manufacturer as they may cause hazards.

7. WATER AND MOISTURE

Do not use this product near water—for example: near a bathtub, washbowl, kitchen sink or laundry tub; in a wet basement; or near a swimming pool.

8. ACCESSORIES

Do not place this product on an unstable cart, stand, tripod, bracket or table. The product may fall, causing serious injury and serious damage to the product. Use only with a cart, stand, tripod, bracket or table recommended by the manufacturer or sold with the product. Any mounting of the product should follow the manufacturer's instructions, and should use a mounting accessory recommended by the manufacturer.

8A. An appliance and cart combination should be moved with care. Quick stops, excessive force and uneven surfaces may cause the appliance and cart combination to overturn.

9. VENTILATION

Slots and openings in the cabinet and in the back or bottom are provided for ventilation, to ensure reliable operation of the product and to protect it from overheating. These openings must not be blocked or covered. The openings should never be blocked by placing the product

on a bed, sofa, rug or other similar surface. This product should never be placed near or over a radiator or heat source. This product should not be placed in a built-in installation such as a bookcase or rack unless proper ventilation is provided or the manufacturer's instructions have been adhered to.

10. POWER SOURCES

This product should be operated only from the type of power source indicated on the marking label. If you are not sure of the type of power supply to your home, consult your appliance dealer or local power company. For products intended to operate from battery power, or other sources, refer to the operating instructions.

11. GROUNDING OR POLARIZATION

This product is equipped with a polarized alternating-current line plug (a plug having one blade wider than the other). This plug will fit into the power outlet only one way. This is a safety feature. If you are unable to insert the plug fully into the outlet, try reversing the plug. If the plug should still fail to fit, contact your electrician to replace your obsolete outlet. Do not defeat the safety purpose of the polarized plug.

12. POWER-CORD PROTECTION

Power-supply cords should be routed so that they are not likely to be walked on or pinched by items placed upon or against them, paying particular attention to cords at plugs, convenience receptacles, and the point where they exit from the appliance.

13. LIGHTNING

To protect your product from a lightning storm, or when it is left unattended and unused for long periods of time, unplug it from the wall outlet and disconnect the antenna or cable system. This will prevent damage to the product due to lightning and power-line surges.

14. POWER LINES

An outside antenna system should not be located in the vicinity of overhead power lines or other electric light or power circuits, or where it can fall into such power lines or circuits. When installing an outside antenna system, extreme care should be taken to keep from touching such power lines or circuits as contact with them might be fatal.

15. OVERLOADING

Do not overload wall outlets and extension cords as this can result in a risk of fire or electric shock.

16. OBJECT AND LIQUID ENTRY

Never push objects of any kind into this product through openings as they may touch dangerous

PORTABLE CART WARNING
(symbol provided by RETAC)

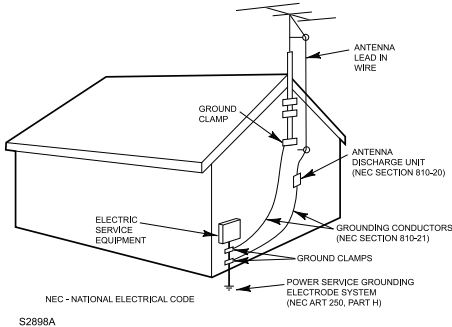


SAFETY INSTRUCTIONS

voltage points or short out parts that could result in fire or electric shock. Never spill or spray any type of liquid on the product.

17. OUTDOOR ANTENNA GROUNDING

If an outside antenna is connected to the product, be sure the antenna system is grounded so as to provide some protection against voltage surges and built-up static charges. Section 810 of the National Electric Code, ANSI/NFPA 70, provides information with respect to proper grounding of the mast and supporting structure, grounding of the lead-in wire to an antenna discharge product, size of grounding conductors, location of antenna discharge product, connection to grounding electrodes and requirements for grounding electrodes.



EXAMPLE OF ANTENNA GROUNDING AS PER NATIONAL ELECTRICAL CODE

18. SERVICING

Do not attempt to service this product yourself as opening or removing covers may expose you to dangerous voltage or other hazards. Refer all servicing to qualified service personnel.

19. REPLACEMENT PARTS

When replacement parts are required, be sure the service technician uses replacement parts specified by the manufacturer or those that have the same characteristics as the original part. Unauthorized substitutions may result in fire, electric shock or other hazards.

20. SAFETY CHECK

Upon completion of any service or repairs to this product, ask the service technician to perform safety checks to determine that the product is in proper operating condition.

21. WALL OR CEILING MOUNTING

The product should be mounted to a wall or ceiling only as recommended by the manufacturer.

22. DAMAGE REQUIRING SERVICE

Unplug the product from the wall outlet and refer servicing to qualified service personnel under the following conditions:

- When the power-supply cord or plug is damaged.
- If liquid has been spilled or objects have fallen into the product.
- If the product has been exposed to rain or water.
- If the product does not operate normally by following the operating instructions. Adjust only those controls that are covered by the operating instructions, as an adjustment of other controls may result in damage and will often require extensive work by a qualified technician to restore the product to its normal operation.
- If the product has been dropped or the cabinet has been damaged.
- When the product exhibits a distinct change in performance this indicates a need for service.

23. HEAT

The product should be situated away from heat sources such as radiators, heat registers, stoves or other products (including amplifiers) that produce heat.

24. NOTE TO CATV SYSTEM INSTALLER

This reminder is provided to call the CATV system installer's attention to Article 820-40 of the NEC that provides guidelines for proper grounding and, in particular, specifies that the cable ground shall be connected to the grounding system of the building, as close to the point of cable entry as practical.

This device complies with Part 15 of the FCC Rules. Operation is subject to the following two conditions:

- (1) this device may not cause harmful interference, and
- (2) this device must accept any interference received, including interference that may cause undesired operation.

changes or modifications not expressly approved by the party responsible for compliance could void the user's authority to operate the equipment.

NOTE: This equipment has been tested and found to comply with the limits for a Class B digital device, pursuant to Part 15 of the FCC Rules. These limits are designed to provide reasonable protection against harmful interference in a residential installation. This equipment generates, uses and can radiate radio frequency energy and, if not installed and used in accordance with the instructions, may cause harmful interference to radio communications. However, there is no guarantee that interference will not occur in a particular installation. If this equipment does cause harmful interference to radio or television reception,

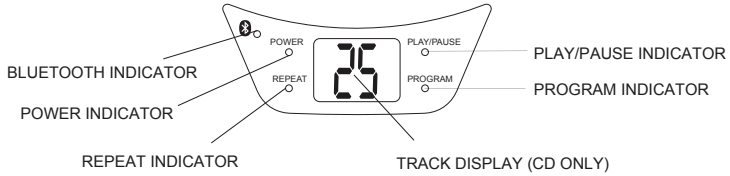
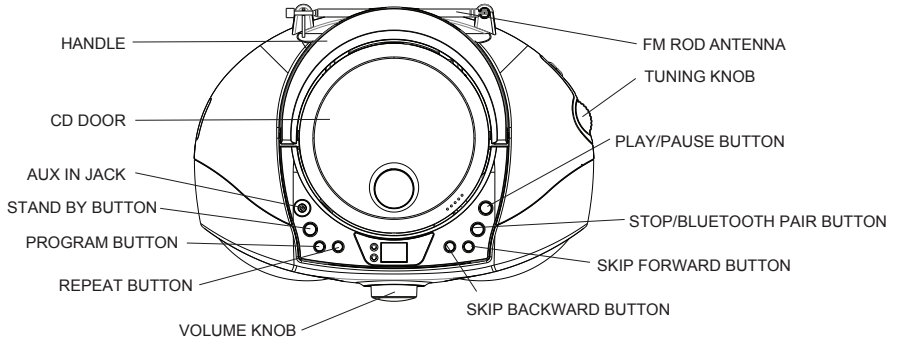
which can be determined by turning the equipment off and on, the user is encouraged to try to correct the interference by one or more of the following measures:

- Reorient or relocate the receiving antenna.
- Increase the separation between the equipment and receiver.
- Connect the equipment into an outlet on a circuit different from that to which the receiver is connected.
- Consult the dealer or an experienced radio/TV technician for help.

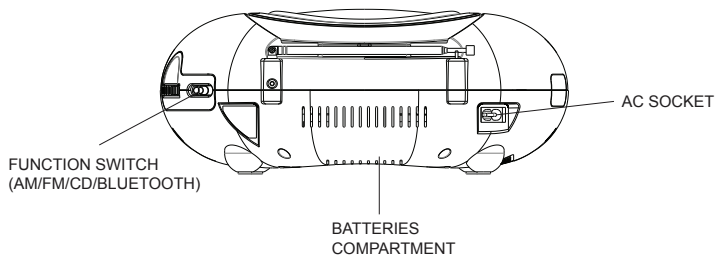
RF Exposure Statement

To maintain compliance with FCC's RF Exposure guidelines, This equipment should be installed and operated with minimum distance between 20cm the radiator your body: Use only the supplied antenna.

Control Location (Top Views)



Control Location (Rear View)



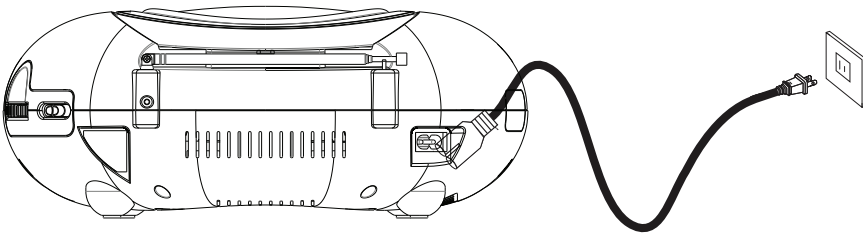
Power Connection

Connecting AC Power

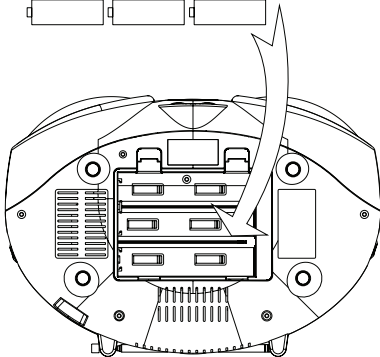
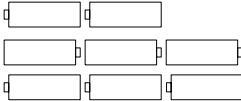
Connect the small end of AC cord to the socket at the back of the main unit and insert the plug of AC cord into standard AC wall outlet.

Caution:

The unit is designed to operate from mains supply of AC 120V~60Hz. If the plug of AC cord does not fit properly, try to turn it over and try again. Do not force it. When the unit is intended for being unused for a long period of the time. Please press the STAND BY button to turn off the unit and unplug the power cord from the AC wall outlet. AC



BATT. SUPPLY: UM-2 / LR14 / SIZE "C" 1.5V x 8



Battery Operation

Before installing batteries (not included), ensure that the unit is disconnected from the mains supply.

Remove the battery compartment cover on the bottom of the unit by sliding the battery cover with the opening direction indicated on the battery cover.

Install 8 pieces of 1.5V (UM2) batteries (not included) by following the polarity markings and then replace the cover.

For battery operation, unplug the AC cord from the AC wall outlet first and then remove the AC cord from the socket at the back of the main unit.

Caution:

There is a danger of explosion if batteries are replaced incorrectly.

Replace batteries with the same type and same brand only.

*When the unit is intended for being unused for a long period of the time, press the **STAND BY** button to turn **OFF** the unit and remove all batteries from the main unit*

Switching On for the first time

Plug into AC power or install batteries by following instructions on the previous Power Connection section. Press the **STAND BY** button to turn on the unit. The **POWER** indicator will be lighted off. To turn the unit off, press the **STAND BY** button again to turn the unit off.

Switching between different sources (AM/FM/CD/BLUETOOTH)

After turning on the unit, press and toggle **FUNCTION** switch to select different sound sources.

Adjusting sound volume level

After turning on the unit, turn the **VOLUME** knob to adjust the level of sound volume.

Adjusting the rod antenna

The aerial should be extended to ensure good reception in both **FM** radio modes. It may be necessary to adjust the position of the unit and /or aerial position to achieve the best signal reception.

CD Operation

The unit is designed to play normal music CD disc bearing the correct identification logo. If the disc does not conform to the standard, it may not be played back properly.



Caution:

- *Playback of CD-R / CD-RW may depend on recording conditions.*
- *Do not attach a seal or label to either side (the recordable side or the labeled side) of a CD-R/ RW disc. It may cause malfunction.*
- *Do not load a blank CD-R/ RW disc. It will take over 1 minute to read the disc. The disc may be damaged if you try to open the CD Door while reading the disc.*
- *CD-ROM, CD-I, CDV, VCD, DVD or computer CDs are not possible to be read.*

Loading disc

1. Press and toggle the **FUNCTION** button to switch to **CD** mode.
2. Press down the **OPEN/CLOSE AREA** on the CD door on the top of the unit to unlock and open the CD door.
3. Hold the CD disc by its edge with CD graphical side facing up and put it onto the CD compartment after the CD door is opened. Make sure that the disc label is facing up.
4. Close the CD door and make sure the **VOLUME** knob is not in minimum position.

CD playback

After loading the disc, the disc will begin spinning and the total number of the tracks on the disc will be shown on the display, and the first track/file on the CD will be played back automatically.

Remark:

- *If there is no disc in the unit, "NO" will be indicated on the display.*
- *If the CD cannot be read, "NO" will be indicated on the display.*

Play/Pause Control

To pause playback temporarily by pressing the **PLAY/PAUSE** button. Music playback will be paused and the current elapsed track number will be shown on the display and the play icon will be blinking. Press the **PLAY/PAUSE** button again to resume playback.

Stop playback

To stop playback, press the **STOP** button on the unit. The total number of tracks of the disc will be displayed.

Skip track

During playback, press the forward or backward **SKIP** buttons to skip to the next or previous tracks.

High-speed music search

During playback, press and hold the forward or backward **SKIP** buttons to skip/search through the current track at high speed in forward or backward directions. When the **SKIP** buttons are released, normal playback speed will be resumed immediately.

CD Operation-Continued

Repeat playback modes (Repeat 1 / Repeat all)

Repeat the Current Track

During playback, press the REPEAT button once to repeat the current CD track.

Repeat All Tracks

During playback, press the REPEAT button twice to repeat the entire album.

Return to normal playback

Press the REPEAT button until NO repeat indicator is displayed. The normal playback will be resumed.

Programmed CD playback

This unit can be programmed to play up to 20 tracks in CD mode. Load the music CD disc onto the CD compartment (without pressing the "PLAY/PAUSE" button)

1. Press **PROGRAM** button once in the stop mode. "P01" will be shown on the display and blinking.
2. Press the **SKIP** buttons to select the desired track to be programmed.
3. Press **PROGRAM** button again to save the selected track/files.
4. Repeat steps 2-3 to program up to 20 tracks.
5. Press the **PLAY/PAUSE** button to play the programmed tracks after programming is completed. The "**PROG**" indicator will lit.
6. To clear program and resume normal playback, press the **STOP** button twice during playback, or open the CD door, or change to next mode to clear the programmed tracks.

Remark:

The unit can store up to 20 tracks in the programmable memories. During the programmed playback, user can still select the "repeat 1 / repeat all" functions.

Bluetooth Operation

1. If the unit has never been paired with a Bluetooth device before, you need to follow the pairing instructions below to link the **SRCD268BT** with your Bluetooth device.
 - Press the **STAND BY** button to turn on the unit.
 - Press and toggle the **FUNCTION** button to select Bluetooth mode. The unit will search the paired device with the "BLUETOOTH" Indicator lit.
 - Press and hold the **STOP/PAIR Button** for 4~5 seconds. Then the "BLUETOOTH" Indicator is flashing, the unit will goes into Pairing/Discoverable mode.
 - Turn on the Bluetooth function of your Bluetooth device and enable the search or scan function to find the unit.
 - Select "**SRCD268BT**" from the device list when it appears on your device screen. If required, enter the pass code "0000" to pair (link) the unit with your device.
 - After successfully pairing (linking) the Bluetooth enabled device the "BLUETOOTH" Indicator steadily and a short beep will heard.

Note: If you can't pair the unit with your Bluetooth enabled device, you can try to turn Off & On the power of your unit to solve the problem.

Radio Operation

The unit is designed to receive FM Stereo / FM and AM radio bands.

1. Switch and toggle the **FUNCTION** button on the top of the unit to switch to AM or FM mode.
2. Adjust the **TUNING** knob on the top of unit to tune the frequency of desired radio station.
3. To turn off the unit power, press the **STAND BY** button to switch off the unit.

Remark:

The unit has built-in AM ferrite bar antenna, which can provide adequate reception in most areas. If the AM reception is weak, try to adjust the location of the unit or relocate the unit to improve the reception. If the FM reception is weak, try to adjust the length and the angle of the FM antenna to improve the signal reception.

AUX IN Operation

Setting up (AUX IN) connection

AUX-IN jack will allow you to connect external music player or external sound source to the main unit.

1. Plug into a 3.5mm audio cable (not included) into your external music player and connect the other end (3.5mm jack) into the **AUX IN** jack on the top of the unit.
2. Make sure your external music player is turned on and start music playback on the music player
3. Adjust **VOLUME** knob to control the sound level of music playback from the speakers on the unit.

Specifications

Power Output	1.2 watt RMS x 2 channels
AC Power	AC120V~60Hz 14Watts
Battery Size	UM-2 or C-Size batteries x 8 PCS
Radio Frequency	FM: 87.5 – 108MHz , AM: 520- 1710 kHz

LIMITED PRODUCT WARRANTY

This quality product is warranted to be free from manufacturer's defects in material and workman-ship, provided that the unit is used under the normal operating conditions intended by the manufacturer.

Should you have any problem with this product, please and it is highly recommended to visit our website at www.curtisint.com before you take any other steps as we have additional copies of instruction manuals, operating manuals and trouble shooting tips on our website which gives you the answer on most of the questions you could have in operating the unit.

TERMS OF WARRANTY

C.I. Service Dept. warrants this product to be free from defects in materials and workmanship for 90 days on parts and 90 days on labor. If you originally purchased your product more than 90 days ago, a repair fee may apply.

Nothing within this warranty shall imply that C.I. will be responsible or liable for any damage to any items placed in this product, whether due to any defect of the product, or its use, whether proper or improper.

EXCLUSIONS

Save as herein provided, C.I. Service Dept. (Canada) or C.I. Service Dept. (USA), there are no other warranties, conditions, representations or guarantees, express or implied, made or intended by C.I. or its authorized distributors and all other warranties, conditions, representations or guarantees, including any warranties, conditions, representations or guarantees under any Sale of Goods Act or like legislation or statute is hereby expressly excluded. Save as herein provided, C.I. Service Dept. (Canada) or C.I. Service Dept. (USA), shall not be responsible for any damages to persons or property, including the unit itself, howsoever caused or any consequential damages arising from the malfunction of the unit and by the purchase of the unit, the purchaser does hereby agree to indemnify and save harmless C.I. from any claim for damages to persons or property caused by the unit.

TO OBTAIN REPAIRS UNDER THE TERMS OF THIS WARRANTY

1. The original purchaser must present a copy of the original bill of sale and the service warranty card.
2. Any alterations, abuse, misuse, battery corrosion or accidental damage voids the warranty.
3. The warranty does not cover cabinets and accessories.
4. No warranty or insurance contained or set out shall apply when damage or repair is caused by power failure; damage in transit or when moving the unit; improper power supply; use for commercial or industrial purposes; service calls resulting in customer education, etc.
5. The defective product should be mailed to:

Canada
C.I. Service Dept.
315 Attwell Drive
Toronto, ON
M9W 5C1

U.S.A
Curtis International Ltd
c/o Liquidity Services/Liquidation.com
1399 Perry Road
Plainfield, IN
46168

For service assistance and product information, please call: 1-800-968-9853.

If mailing the product, the freight must be prepaid and a money order for \$7.00 should be included to cover the cost of insurance and the return of the product.

6. C.I. reserves the right to repair or replace the parts which have become defective.

Model No. _____ Date Purchased _____ Serial No. _____