

# Waterproof Wireless Speaker

## User's Guide for Model ISBW348 v2050-01



### FCC WARNINGS

Warning: Changes or modifications to this unit not expressly approved by the party responsible for compliance could void the user's authority to operate the equipment.

NOTE: This equipment has been tested and found to comply with the limits for a Class B digital device, pursuant to Part 15 of the FCC Rules. These limits are designed to provide reasonable protection against harmful interference in a residential installation. This equipment generates, uses, and can radiate radio frequency energy and, if not installed and used in accordance with the instructions, may cause harmful interference to radio communications. However, there is no guarantee that interference will not occur in a particular installation. If this equipment does cause harmful interference to radio or television reception, which can be determined by turning the equipment off and on, the user is encouraged to try to correct the interference by one or more of the following measures:

- Reorient or relocate the receiving antenna.
- Increase the separation between the equipment and receiver.
- Connect the equipment into an outlet on a circuit different from that to which the receiver is connected.
- Consult the dealer or an experienced radio/TV technician for help.

This device complies with part 15 of the FCC Rules. Operation is subject to the following two conditions: (1) This device may not cause harmful interference, and (2) this device must accept any interference received, including interference that may cause undesired operation.

### ADDITIONAL WARNINGS AND PRECAUTIONS

- WARNING: Where the mains plug or appliance coupler is used as the disconnect device, such disconnect device shall remain readily operable.
- Lithium batteries, like all rechargeable batteries, are recyclable and should be recycled or disposed of according to state and local guidelines. They should never be disposed of in normal household waste, and they should never be incinerated, as they might explode. Contact your local government for disposal or recycling practices in your area.



**WARNING :** This product can expose you to chemicals including lead, which is known to the State of California to cause cancer and birth defects or other reproductive harm. For more information go to [www.P65Warnings.ca.gov](http://www.P65Warnings.ca.gov). **This product meets and complies with all Federal regulations.**

The device has been evaluated to meet general RF exposure requirement. The device can be used in portable exposure condition without restriction

## Overview

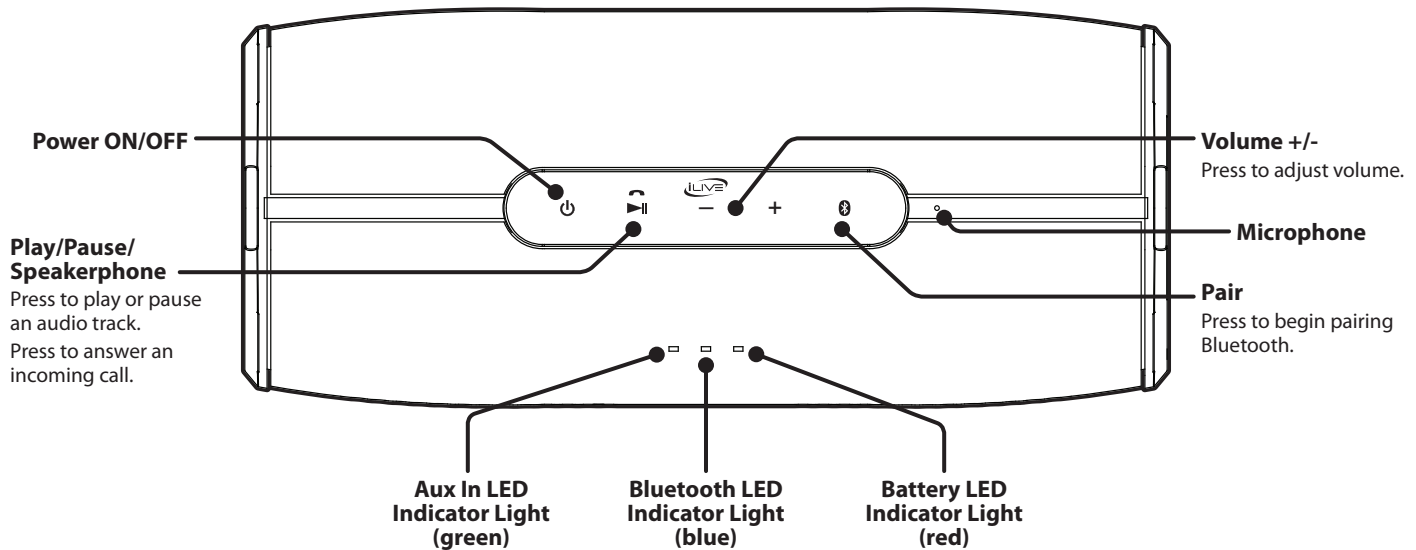
### Features

- IPX5 waterproof
- Bluetooth wireless: range 60 feet
- Built-in microphone for speakerphone
- Aux In (3.5mm audio input)
- Built-in rechargeable battery
- Battery life: approx. 10 hours at 100% volume

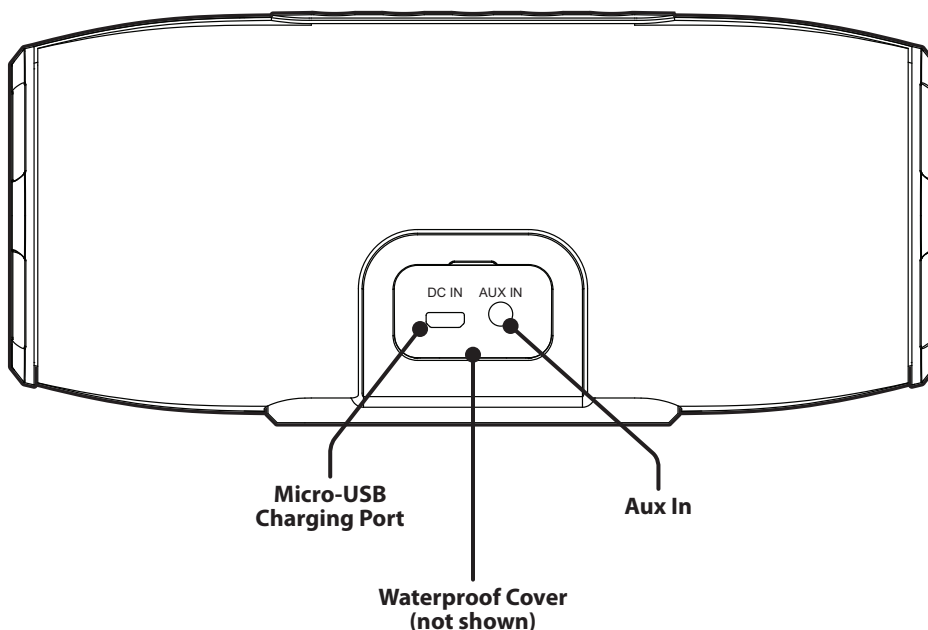
### Includes

- Micro-USB to USB charging cable
- User's Guide

### TOP VIEW



### REAR VIEW



## Water Resistance Level IPX5

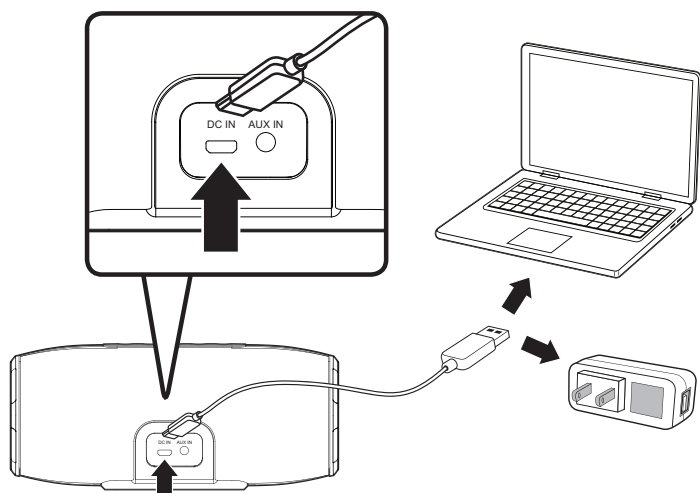
- Protection from jets of water and gentle splashing.

**IMPORTANT:** To ensure your speaker is prepared for use in a wet environment, disconnect and remove any power cables, and tightly close the cover on the rear of the unit. If the cover is not properly closed, water resistance will be compromised and could result in damage to the speaker or personal injury.

## Charging the Battery

Requires a Micro-USB to USB cable (included).

Using a **Micro-USB to USB** cable (included), connect to the USB port of a powered on computer or USB power adaptor to charge the unit. Charge fully before use.



INDICATOR LIGHT	BATTERY STATUS
Red light ON	Charging battery
Red light OFF	Charging complete
Red light flashing	Low battery, charge soon

**WARNING: DO NOT, UNDER ANY CIRCUMSTANCES, CHARGE THE SPEAKER WHILE IT IS NEAR WATER. ALLOW AMPLE TIME TO DRY AFTER BEING SPLASHED.**

## Bluetooth Wireless Audio

### Pairing to a Device & Playing Audio

After initial pairing, the unit will stay paired unless unpaired manually by the user or erased due to a reset of the device. If your device should become unpaired or you find it is unable to connect, repeat the steps listed here.

1. Power ON the unit and press the **Pair** button to begin pairing. The **pairing indicator** will begin quickly flashing blue. *When pairing, remain within 3 feet of the unit.*
2. Using the controls on your Bluetooth device, scan for and select **ISBW348** in your Bluetooth settings to pair. If your device requests a password, enter the default password **0000**. *Refer to the user's manual for your specific device for instructions on pairing and connecting Bluetooth devices.*
3. When successfully paired, the **pairing indicator** will turn solid blue and an audible chime will sound from the speaker.
4. Use the controls on the connected device to select and begin playing audio. Audio played through the connected Bluetooth device will now be heard through the speaker. You can use the controls on the unit or the connected device to play, pause, and adjust volume.

### Previously Connected Devices

- The speaker can remember multiple Bluetooth devices and will always try to re-connect to the last device used.
- To re-connect to a different device, turn off Bluetooth on unwanted devices, then access the Bluetooth settings menu on the device you wish to use and select **ISBW348**.

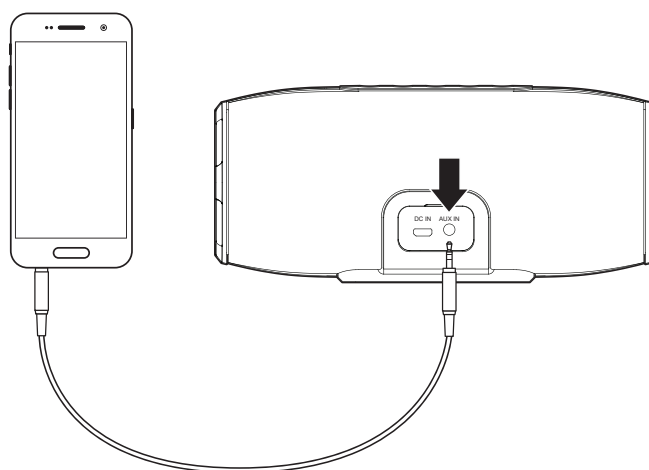
### Using the Speakerphone

1. To accept a call, press the **Speakerphone** button or use the controls on the connected phone.
2. To end a call, press the **Speakerphone** button or use the controls on the connected phone.
3. To redial the last dialed number, press the **Speakerphone** button twice.

## Aux In

Requires a 3.5mm audio cable (included).

1. Connect a 3.5mm audio cable to the **Aux In** on the unit and the **audio output/headphone jack** on a media player or smartphone. The Aux input will be detected and the unit will automatically switch to **Aux In mode** (indicated by the green Aux In LED on the top of the speaker).
2. Use the controls on the connected device to select and play audio.



## International Support

To download this User's Guide in English, Spanish, or French, or to get answers to frequently asked questions, visit the support section at: [www.iLiveElectronics.com](http://www.iLiveElectronics.com)

Para descargar este Manual del Usuario en inglés, español y francés, o para obtener respuestas a preguntas frecuentes, visite la sección de apoyo en: [www.iLiveElectronics.com](http://www.iLiveElectronics.com)

Pour télécharger ce guide de l'utilisateur en anglais, espagnol ou français, ou pour obtenir des réponses à des questions fréquemment posées, consultez la rubrique d'assistance sur: [www.iLiveElectronics.com](http://www.iLiveElectronics.com)

For Warranty Information and the most up-to-date version of this User's Guide, go to [www.iLiveElectronics.com](http://www.iLiveElectronics.com)

**Customer Service:** 1-888-999-4215 | **Email Support:** [prodinfo@dpiinc.com](mailto:prodinfo@dpiinc.com) | **Email Parts:** [partsinfo@dpiinc.com](mailto:partsinfo@dpiinc.com)

Copyright © 2018 Digital Products International (DPI, Inc.) All other trademarks appearing herein are the property of their respective owners. Specifications are subject to change without notice.

