

memorex Clock Radio with NFC

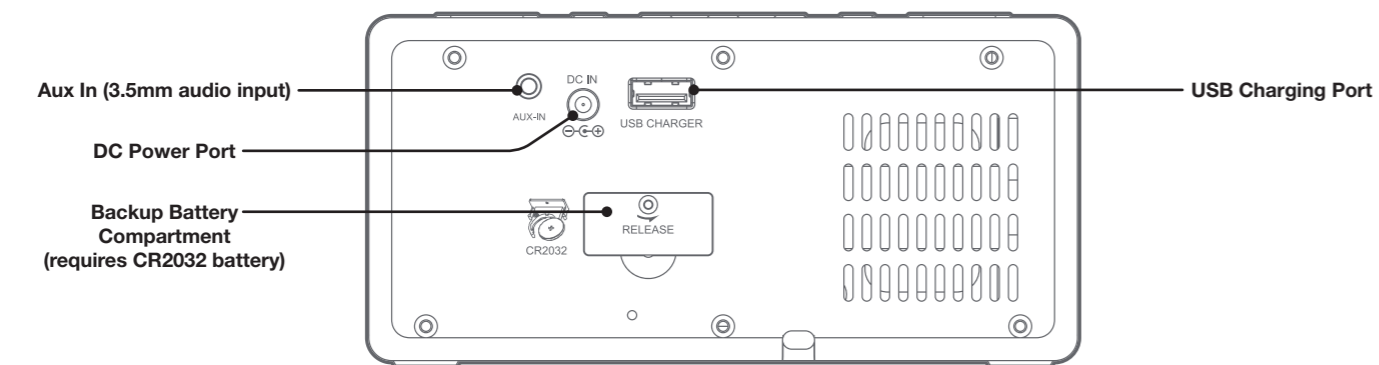
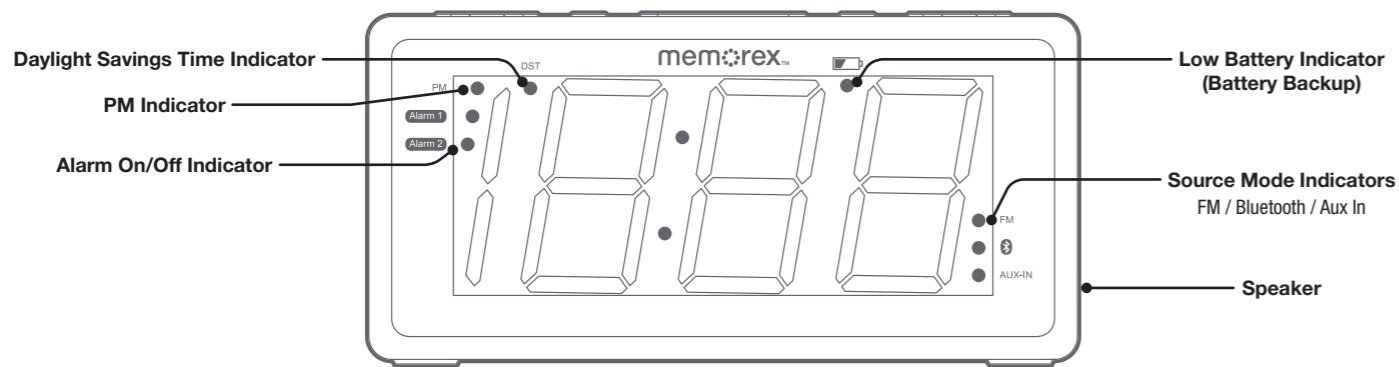
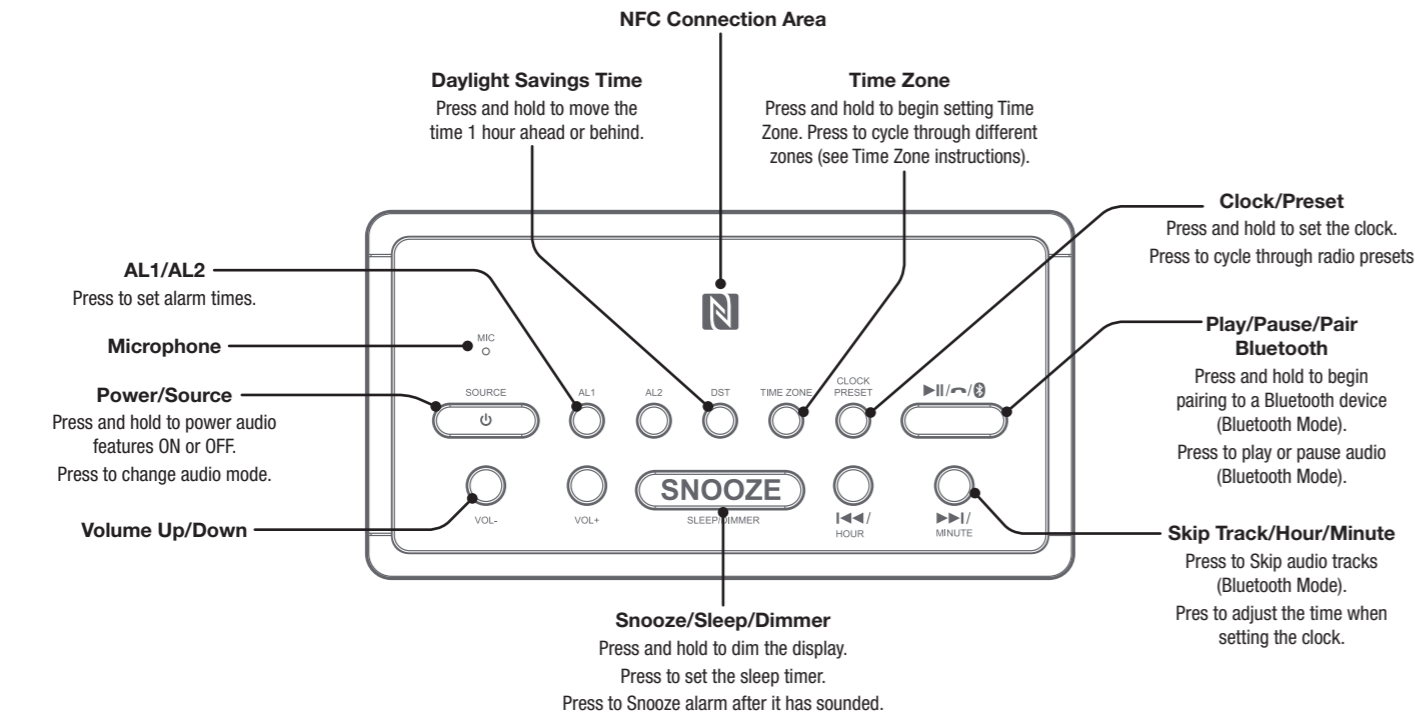
MCB328 v2185-01

Features

- NFC & Bluetooth wireless - range: 60 ft.
- Built-in speaker
- Microphone for hands free speakerphone operation
- Built-in FM radio with up to 20 radio presets
- Digital clock
- 1.8" Blue LED display
- Aux In (3.5mm audio input)
- 5V 2A USB power port for mobile device fast charging
- Battery backup - requires CR2032 button cell battery

Includes

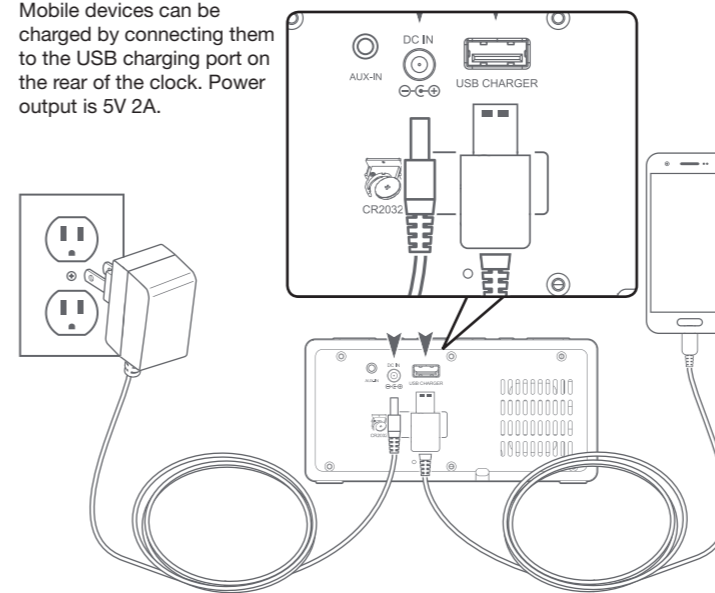
- AC/DC power adapter
- Warranty



Clock Power & Mobile Device Charging

Plug the AC/DC power adapter into a standard power outlet and the DC power input on the rear of the clock to power it on.

Mobile devices can be charged by connecting them to the USB charging port on the rear of the clock. Power output is 5V 2A.



Clock

When the clock is plugged in, the correct time will be displayed after a few seconds.

Setting the Clock Manually

- Press and hold the **Clock** button. The display will begin flashing.
- Use the **Hour/Minute** buttons to set the time. *Note the PM indicator.*

Daylight Savings Time

Press and hold the **DST** button to adjust the time one hour ahead or behind for Daylight Savings Time.

Time Zone

Press and hold the **Time Zone** button to begin setting the desired time zone. The display will begin flashing, press the **Time Zone** button repeatedly select the appropriate zone.

1	Atlantic Time	UTC-4 hrs	5	Pacific Time	UTC-8 hrs
2	Eastern Time	UTC-5 hrs	6	Alaska Time	UTC-9 hrs
3	Central Time	UTC-6 hrs	7	Hawaii - Aleutian Time	UTC-10 hrs
4	Mountain Time	UTC-7 hrs			

Setting an Alarm

- With the radio off, press and hold the **AL1** or **AL2** buttons to set the time for Alarm 1 or Alarm 2. The display will flash and show the time the alarm is set to go off. Press the **Hour/Min** buttons to adjust the time. *Note the PM indicator.*
- Press the **AL1/AL2** buttons again to set a weekly alarm schedule.
1-7 rings Mon-Sun | 1-5 rings Mon-Fri | 6-7 rings Sat-Sun
- After the alarm is set and the display has stopped flashing, press the **AL1/AL2** buttons again to select the alarm type (Buzzer or Radio). Press once more to deactivate the alarm entirely. *Note the Alarm ON/OFF indicators.*

Alarm Details

- To cancel the alarm after it has sounded, press the **AL** button of the alarm that is sounding.
- To delete the alarm, press the **AL** button of the alarm you wish to cancel until the indicator on the display turns OFF.

Sleep Timer

- Press the Snooze button once to set the Sleep Timer. Press again to adjust the time in 10 minute intervals from 90 to 0 (OFF).

Bluetooth Wireless

Pairing to a Bluetooth Device and Playing Audio

- Press and hold the **Bluetooth** button, a voice prompt will sound from the speaker indicating that the unit is in Bluetooth Mode and connecting. *When pairing, remain within 3 feet of the unit.*
- Using the controls on your Bluetooth device, select **MCB328** from your Bluetooth settings to pair. When successfully paired, the voice will announce the successful connection. *Refer to the user's manual for your specific device for more detailed instructions on pairing and connecting Bluetooth devices.*
- Audio played through the connected Bluetooth device should now be heard through the speaker. Use the controls on the connected Bluetooth device to select and begin playing audio. Play, pause or skip audio using the controls on the device or the unit.

Speakerphone

- To accept or end a phone call coming through the connected Bluetooth phone, press the **Call** button on the speaker.
- To decline a call, press the **Call** button twice.

Previously Connected Devices

- This unit can remember multiple Bluetooth devices and will always try to reconnect to the last device used.
- To reconnect to a different device, turn off Bluetooth on unwanted devices, then access the Bluetooth settings menu on the device you wish to use and connect to MCB328.
- If the unit should become unpaired or will not connect normally, delete the unit for your device's Bluetooth settings menu ("Forget This Device"), turn the unit off and on again, and perform the Bluetooth connection again.

NFC Connections

Note: Refer to your specific device's manual for general information, and instructions on how to check for NFC availability and turn the feature on.

- Press the **Source** button to set the unit to Bluetooth mode.
- After activating your mobile device's NFC, lightly touch your device to the NFC logo on the unit and hold it there for several seconds. The unit will connect to your mobile device automatically.
- When successfully paired and connected, the Bluetooth Indicator on the display will turn solid.
- After initial pairing, the unit will stay paired unless unpaired manually by the user or erased due to a reset of the device.

FM Radio

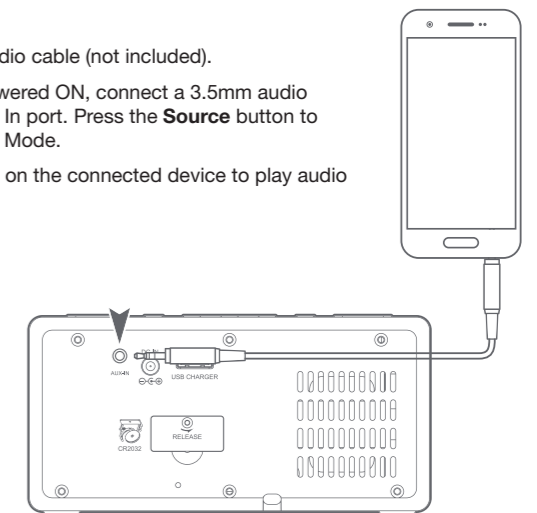
Note: This unit has a built-in FM antenna. To improve radio reception, adjust the position of the unit.

- Press the **Source** button to switch to FM Mode. A voice prompt will sound from the speaker and the display will show the radio frequency.
- To automatically scan radio frequencies and set presets, press and hold the **Presets** button. When finished, press the **Presets** button to change presets.
- To manually set presets, press the **Presets** button to select a preset (1-20). Tune the radio frequency with the **Skip** buttons, then press and hold the **Presets** button to set it.

Aux In

Requires a 3.5mm audio cable (not included).

- With the unit powered ON, connect a 3.5mm audio cable to the Aux In port. Press the **Source** button to switch to Aux-In Mode.
- Use the controls on the connected device to play audio through the unit.





This symbol, located on back or bottom of the unit, is intended to alert the user to the presence of important operating and maintenance (servicing) instructions in the literature accompanying the appliance.



This symbol, located on back or bottom of the unit, is intended to alert the user to the presence of uninsulated "dangerous voltage" within the product's enclosure that may be of sufficient magnitude to constitute a risk of electric shock to persons.



WARNING: This product can expose you to chemicals including lead, which is known to the State of California to cause cancer and birth defects or other reproductive harm. For more information go to www.P65Warnings.ca.gov. This product meets and complies with all Federal regulations.

FCC Statement

This device complies with part 15 of the FCC Rules. Operation is subject to the following two conditions:

1. This device may not cause harmful interference, and
2. This device must accept any interference received, including interference that may cause undesired operation.

NOTE: This equipment has been tested and found to comply with the limits for a Class B digital device, pursuant to Part 15 of the FCC Rules. These limits are designed to provide reasonable protection against harmful interference in a residential installation. This equipment generates, uses, and can radiate radio frequency energy and, if not installed and used in accordance with the instructions, may cause harmful interference to radio communications. However, there is no guarantee that interference will not occur in a particular installation. If this equipment does cause harmful interference to radio or television reception, which can be determined by turning the equipment off and on, the user is encouraged to try to correct the interference by one or more of the following measures:

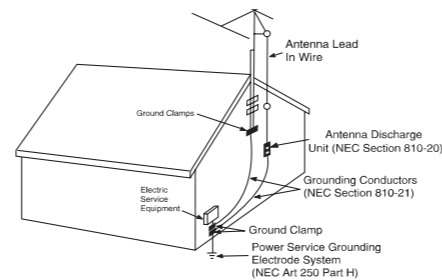
- Reorient or relocate the receiving antenna.
- Increase the separation between the equipment and receiver.
- Connect the equipment into an outlet on a circuit different from that to which the receiver is connected.
- Consult the dealer or an experienced radio/TV technician for help.
- Warning: Changes or modifications to this unit not expressly approved by the party responsible for compliance could void the user's authority to operate the equipment.

Important Safety Instructions

- Read Instructions - All the safety and operating instruction should be read before the product is operated.
- Retain Instructions - The safety and operating instruction should be retained for future reference.
- Heed Warnings - All warning on the product and in the operating instructions should be adhered to.
- Follow instructions - All operating and use instructions should be followed.
- Cleaning - Unplug this product from the wall outlet before cleaning. Do not use liquid cleaners or aerosol cleaners. Clean only with a dry cloth.
- Attachments - Do not use attachments not recommended by the product manufacturer as they may cause hazards.
- Water and Moisture - Do not use this product near water - for example, near a bath tub, wash bowl, kitchen sink, or laundry tub; in a wet basement, or near a swimming pool, and the like. The apparatus shall not be exposed to dripping or splashing and that no objects filled with liquids, such as vases, shall be placed on apparatus.
- Accessories - Do not place this product on an unstable cart, stand tripod, bracket, or table. The product may fall, causing serious injury to a child or adult, and serious damage to the product. Use only with a cart, stand, tripod, bracket, or table recommended by the manufacturer, or sold with the product. Any mounting of the product should follow the manufacturer's instructions, and should use a mounting accessory recommended by the manufacturer.
- A product and cart combination should be moved with care. Quick stops, excessive force, and uneven surfaces may cause the appliance and cart combination to overturn. See figure:
- Ventilation - Slots and openings in the cabinet are provided for ventilation and to ensure reliable operation of the product and to protect it from overheating, and these openings must not be blocked or covered. The openings should never be blocked by placing the product on a bed, sofa, rug, or other similar surface. This product should not be placed in a built-in installation such as a bookcase or rack unless proper ventilation is provided or the manufacturer's instruction have been adhered to.
- Power Sources - This product should be operated only from the type of power source indicated on the marking label. If you are not sure of the type of power supply to your home, consult your product dealer or local power company. For products intended to operate from battery power, or other sources, refer to the operating instruction.
- Grounding or Polarization - This product may be equipped with a polarized alternating current line plug (a plug having one blade wider than the other). This plug will fit into the power outlet only one way. This is a safety fully into the outlet, try reversing the plug. If the plug should still fail to fit, contact your electrician to replace your obsolete outlet. Do not defeat the safety purpose of the polarizes plug.
- Power-Cord Protection - Power supply cords should be routed so that they are not likely to be walked on or pinched by items placed upon or against them, paying particular attention to cords at plugs, convenience receptacles, and point where they exit from the product.
- Protective Attachment Plug - The product is equipped with an attachment plug having overload protection. This is a safety feature. See Instruction Manual for replacement or resetting of protective device. If replacement of the plug is required, be sure the service technician has used a replacement plug specified by the manufacturer that has the same overload protection as the original plug.



- Outdoor Antenna Grounding - If an outside antenna is connected to the receiver, be sure the antenna system is grounded so as to provide some protection against voltage surges and built-up static charges. Article 810 of the National Electrical Code, ANSI/NFPA 70, provides information with regard to proper grounding of the mast and supporting structure, grounding of the mast and supporting structure, grounding of the lead-in wire to an antenna-discharge unit, size of grounding conductors, location of antenna discharge unit, connection to grounding electrodes, and requirements for the grounding electrode. See figure:



- Lightning - For added protection for this product during a lightning storm, or when it is left unattended and unused for long periods of time, unplug it from the wall outlet and disconnect the antenna or cable system. This will prevent damage to the product due to lightning and power-line surges.
- Power Lines - An outside antenna system should not be located in the vicinity of overhead power lines or other electric light or power circuits, or where it can fall into such power lines or circuits. When installing an outside antenna system, extreme care should be taken to keep from touching such power lines or circuits as contact with them might be fatal.
- Overloading - Do not overload wall outlets, extension cords, or integral convenience receptacles as this can result in a risk of fire or electric shock.
- Object and Liquid Entry - Never push objects of any kind into this product through openings as they may touch dangerous voltage points or short-out parts that could result in a fire or electric shock. Never spill liquid of any kind on the product.
- Servicing - Do not attempt to service this product yourself as opening or removing covers may expose you to dangerous voltage or other hazards. Refer all servicing to qualified service personnel.
- Damage Requiring Service - Unplug this product from the wall outlet and refer servicing to qualified service personnel under the following conditions: a) When the power-supply cord or plug is damaged, b) If liquid has been spilled, or objects have fallen into the product, c) If the product has been exposed to rain or water, d) If the product does not operate normally by following the operating instructions. Adjust only those controls that are covered by the operating instructions as an improper adjustment of other controls may result in damage and will often require extensive work by a qualified technician to restore the product to its normal operation. e) If the product has been dropped or damaged in any way, and f) When the product exhibits a distinct change in performance - this indicates a need for service.
- Replacement Parts - When replacement parts are required, be sure the service technician has used replacement parts specified by the manufacturer or have the same characteristics as the original part. Unauthorized substitutions may result in fire, electric shock, or other hazards.
- Safety Check - Upon completion of any service or repairs to this product, ask the service technician to perform safety checks to determine that the product is in proper operating condition.
- Wall or Ceiling Mounting - The product should be mounted to a wall or ceiling only as recommended by the manufacturer.
- Heat - The product should be situated away from heat sources such as radiators, heat registers, stoves, or other products (including amplifiers) that produce heat. Battery shall not be exposed to excessive heat such as sunshine, fire, or the like.
- Main plug is used as disconnect device and it should remain readily operable during intended use. In order to disconnect the apparatus from the mains completely, the mains plug should be disconnected from the mains socket outlet completely.
- Excessive sound pressure from earphones and headphones can cause hearing loss.
- Only use with the included power supply or a UL/ETL certified power supply of the same specifications.
- This equipment complies with FCC radiation exposure limits set forth for an uncontrolled environment. This equipment should be installed and operated with minimum distance 20cm between the radiator & your body.

Customer Support

- **Customer Service:** 1-888-999-4215
- **Email Support:** prodinfo@dpiinc.com
- **Email Parts:** partsinfo@dpiinc.com

Copyright © 2018 Digital Products International (DPI, Inc.) All other trademarks appearing herein are the property of their respective owners. Specifications are subject to change without notice.

Battery Warnings

- WARNING: Do not ingest battery, Chemical Burn Hazard.
- If the remote control supplied with this product contains a coin/button cell battery and the coin/button cell battery is swallowed, it can cause severe internal burns in just 2 hours and can lead to death.
- Keep new and used batteries away from children. If the battery compartment does not close securely, stop using the product and keep it away from children.
- If you think batteries might have been swallowed or placed inside any part of the body, seek immediate medical attention.
- CAUTION: Danger of explosion if battery is incorrectly replaced. Replace only with the same or equivalent type.
- WARNING: There is a danger of explosion if you attempt to charge standard Alkaline batteries in the unit. Only use rechargeable NiMH batteries.
- Battery shall not be exposed to excessive heat such as sunshine, fire, or the like.
- Do not mix old and new batteries.
- Completely replace all old batteries with new ones.
- Do not mix alkaline, standard (carbon-zinc), or rechargeable (ni-cad, ni-mh, etc) batteries.
- Batteries should be recycled or disposed of as per state and local guidelines.