

Quick Start Guide



WiLink 2

Legal Information

Copyright @ 2017. All rights reserved.

No part of this manual may be reproduced or transmitted in any form or by any means without prior written consent of and its affiliates.

reserves the right change or modify any information or specification contained in this manual without prior notice and without any liability.

Limitation of Liability

Due to the nature of wireless communications, transmission and reception of data can never be guaranteed. Data may be delayed, corrupted (i.e., have errors) or be totally lost.

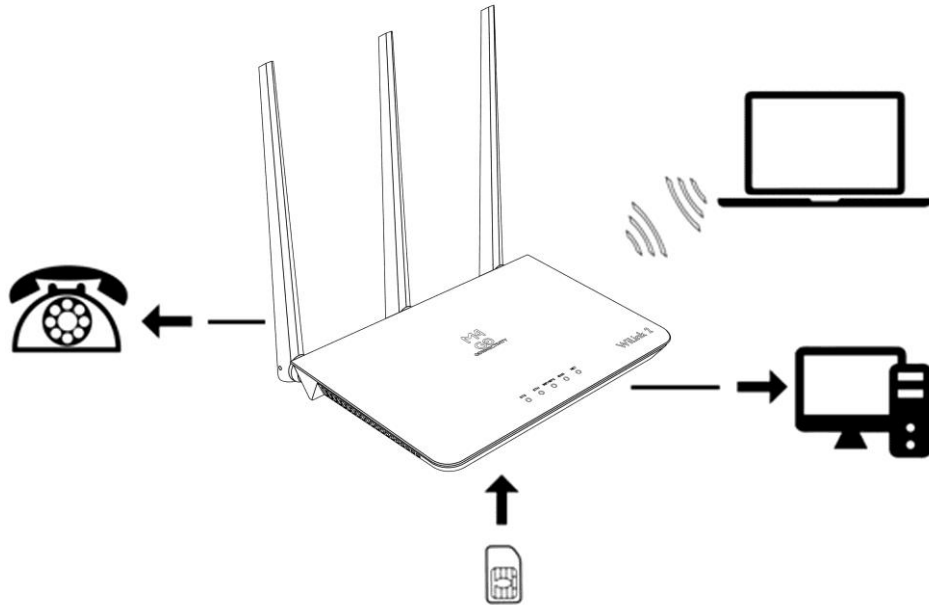
shall not be liable for any loss of profits or indirect, special, incidental or consequential damages resulting from or arising out of or in connection with using of this product, whether or not had been advised, knew or should have known of the possibility of such damages, including, but not limited to lost profits, interruption of business, cost of capital, cost of substitute facilities or product, or any downtime cost.

1 Introduction of Router

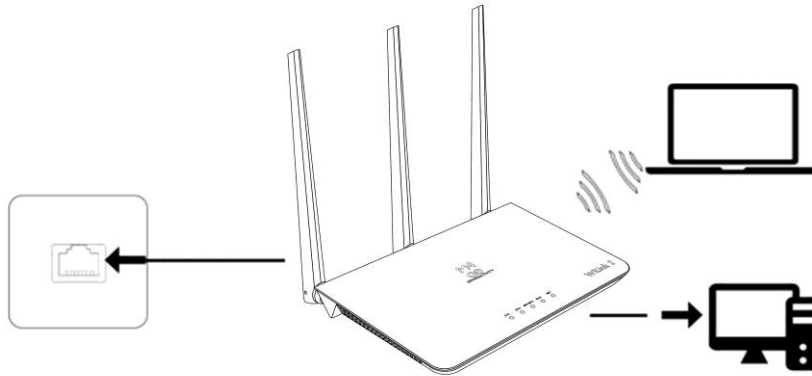
Your router is for indoor use only and multiple devices like computer, landline phone or external storage device can be connected to the router to access the Internet, make telephone calls, files sharing and more.

Application Scenarios:

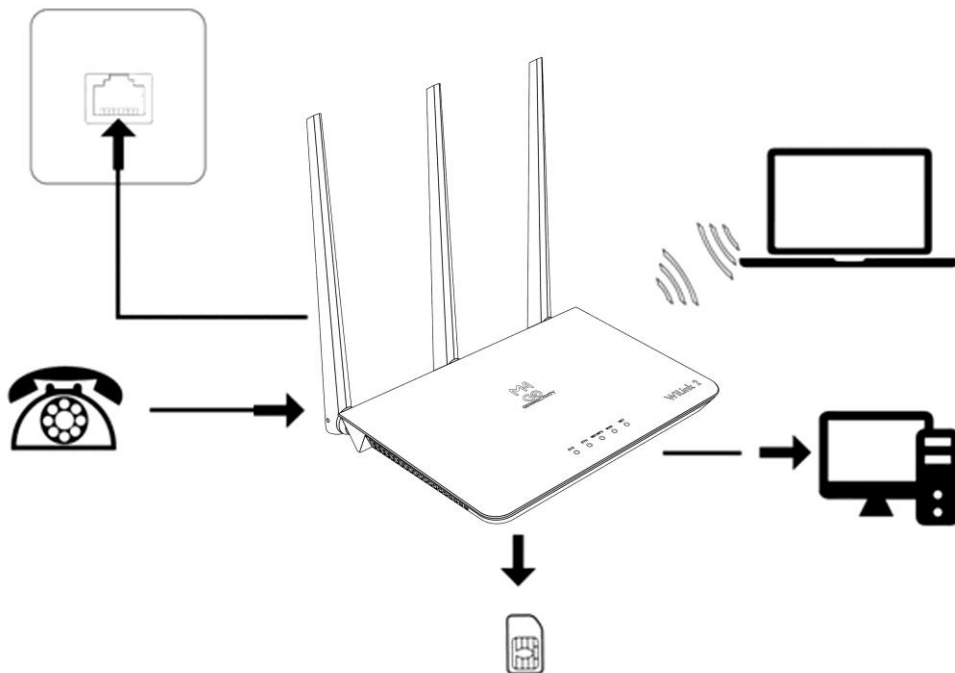
Scenario 1: 3G/4G mobile network service using a SIM card



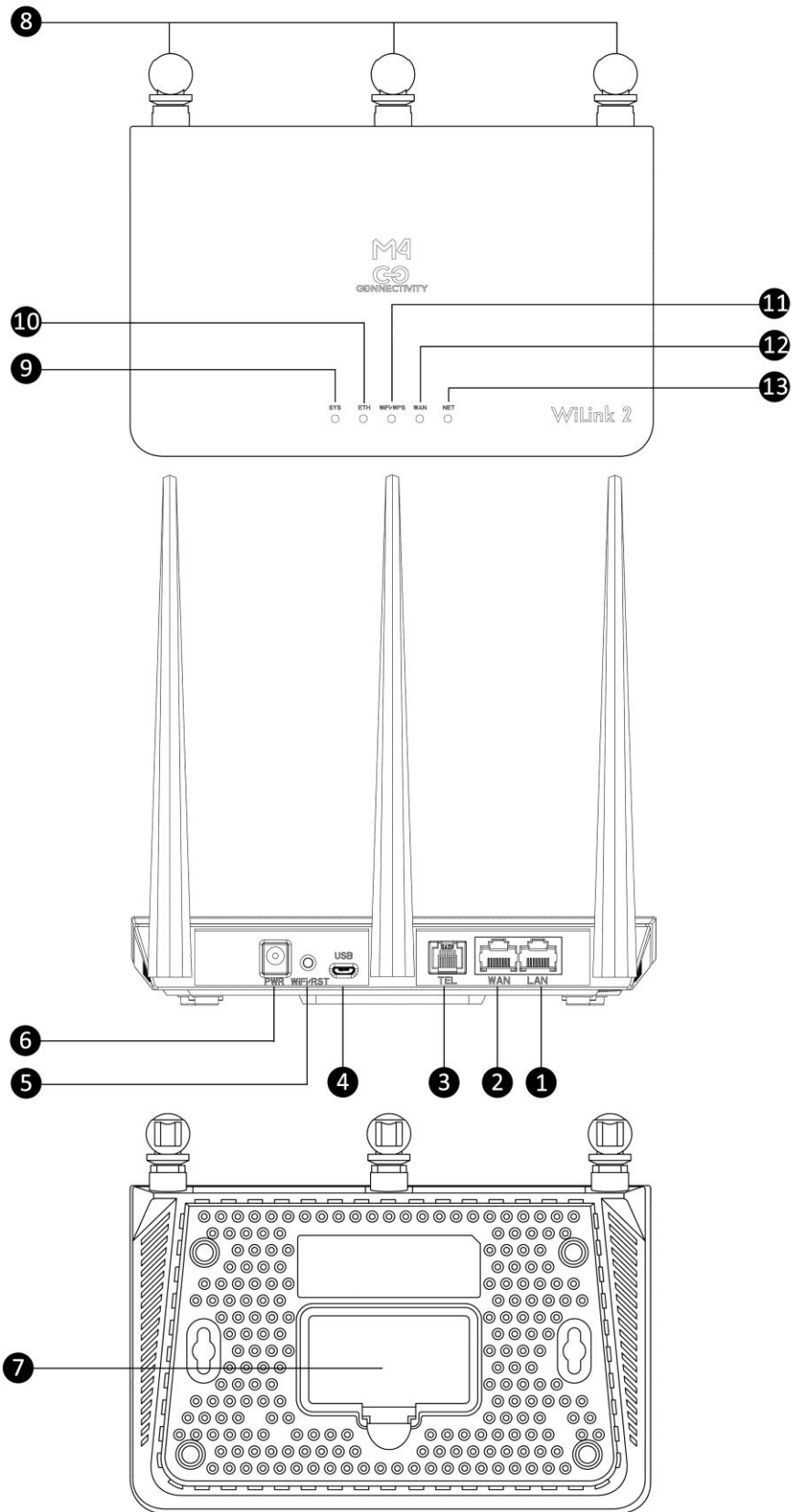
Scenario 2: Data service from Ethernet cord Internet connection (Ethernet Port)



Scenario 3: Data service from Ethernet cord and VOLTE voice using a SIM card



Appearance



1	1*LAN port	8	4G&WIFI external antenna ports
2	1*WAN port	9	SYS indicator
3	1*Telephone port	10	ETH indicator
4	1* Micro USB	11	WiFi/WPS indicator
5	1*Reset/WPS button	12	WAN indicator
6	Power Input	13	NET indicator
7	Standard SIM card slot		

Important: Router does not support Micro/Nano SIM card or any other non-standard SIM cards.

2 Setup your Router

Inset a standard SIM card firstly as shown in the following diagram and then connect the power adapter to the power input of the router.

Power on the router, and it will search for available mobile networks automatically.

Do not inset or remove the SIM card when the router is running, as this may affect performance or damage the SIM card.

To shut down the router, press and hold the power button for approximately 3 seconds.

The intuitive indicators display the router's status

Indicator	Status
SYS	Power indicator On: Device powered on Off: Device Powered off
ETH	Blue On: Connected to the Ethernet network via WAN port Green On: Connected to the Ethernet network via LAN port Blinking: Data transfer
WIFI/WPS	On: WiFi is enabled Off: WiFi is disabled Blinking: WPS connection set up in progress
WAN	Blue On: Connected to the 4G network Green On: Connected to the 2G or 3G network Off: No network connected
NET	Wireless Dialing indicator On: Registered to a Network Off: No register to the Network Blinking: Data transfer

3 Configuring

You can configure the router using the WebUI Settings page.

1. Launch the Internet browser, and enter **http://192.168.1.1** in the address bar.
2. Enter the password, and log in to the web management page. The default password is **admin**.

You also can refer to the label on the backside of the router for the default IP address and password.

It's strongly suggested to change the default login password of the WebUI to prevent unauthorized users from changing the routers' settings.

4 Connect to WiFi Network

You can connect your computer or mobile phone to the router's WiFi network.

Default SSID: Telcel-WiLink2_XXXX (XXXX is the last 4 digits of MAC address)

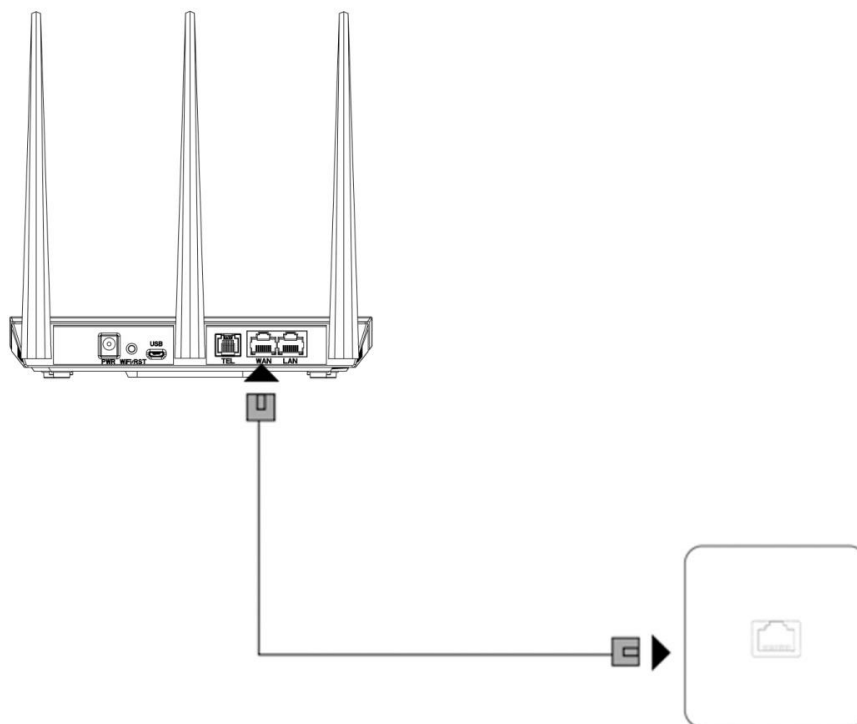
Default Password: XXXX (XXXX is the last 4 digits of MAC address)

It's strongly suggested to change the default SSID and password by accessing to the WebUI WiFi management page to prevent unauthorized access to your WiFi network.

You need to reconnect to the router's WiFi network after changing the WiFi password.

5 Access the internet through the WAN port

You can connect the router's WAN port to the wall-mounted Ethernet port by Ethernet cable, and then choose the working mode to be Broadband mode and configure the PPPoE/Static/DHCP parameters to access to internet. |



6 VOLTE & CS Domain Voice Call

The router supports both VOLTE and CS domain voice call services. To change the call mode select Settings > Phone and chose the desired option from the dropdown menu.

For best results, the "Auto" setting of network mode is recommended.

Please contact your network service provider for more detailed information.

7 FAQs & Troubleshooting

If you are expecting any issues with the router, **in most cases please try to restart the router or restore the router to its factory settings.**

The illustrations in this guide are for reference purpose only and may not reflect the exact appearance of your product. Please contact your network service provider for more detailed information.

How to restore factory settings?

When the router is power on, click the reset button for approximately 3 seconds using a pointed object until the indicator starts to blink. **Restoring factory settings will clear all customized settings.**

How can I connect to the router by Wi-Fi Protected Setup (WPS) function?

1. Ensure that WiFi is enabled on the client.
2. Press the WPS button on the router to set up a WPS connection

How to deal with the contents displayed issue of the WebUI

Manually clear your browser's cache (for example, open you browser and choose Internet Options > General > Browsing history > Delete.) and re-launch the WebUI page.

Why the router does not work after I have finished configuring?

1. Ensure that you have a working standard Sim card inserted properly.
2. Move the router to an open space free from obstructions and make sure there are available mobile networks.
3. If the problem persists, please contact your network service provider.

Why the Internet status indicator is persisting on, but the WiFi indicator is off?

Your mobile network may have a poor signal. Try to move the router to a place with better reception. An External outside antenna may be required to increase the network signal strength.

Why can't I access the router's WebUI?

1. Ensure that your computer is connected to the router through WiFi or the Ethernet cable.
2. Ensure that your computer is set to obtain an IP address and DNS server address automatically.
3. Restart your browser or try using another browser.
4. If the problem persists, restore the router to factory settings and try to access WebUI again.

8 Warning and Notice

Safety Precautions

This section contains important information about the operation of your device. It also contains information about how to use the device safely. Read this information carefully before using your device.

- Some electronic devices may be susceptible to electromagnetic interference. Locate the router away from any TV set, radio and other electronic equipment to avoid electromagnetic interference.
- The router may interfere with medical devices, such as hearing aids and pacemakers. Consult a physician or the manufacturer of the medical device before using the router.
- Please keep yourself at least 20 centimeters away from router.
- Do not use your router in dangerous environments such as oil terminals or chemical factories where there are explosive gases or explosive products being processed.
- Please use original accessories or accessories that are authorized by . Unauthorized accessories may affect the router performance, damage the router or cause danger to you.
- Do not attempt to dismantle the router. There are no user serviceable parts.
- Do not allow the router or accessories to come into contact with liquid or moisture at any time. Do not immerse the router in any liquid.
- Do not place objects on top of the router. This may lead to overheating of the device.
- The device must be placed in ventilation environment for use.
- Do not expose the router to direct sunlight or store it in hot areas. High temperature can shorten the life of electronic devices.
- Do not allow children to play with the router or charger.
- Keep the length of the cable between the router and the phone less than 10 meters.
- The router is for indoor use only. Do not use the router outside. Do not connect telephone extensions which run outside of the building. These can result in lightning damage to your unit.

Cleaning and Maintaining

- Use an antistatic cloth to clean the router. Do not use chemical or abrasive cleanser as these could damage the plastic case. Turn off your router before you clean it.
- Use the router within the temperature range of 0°C ~ +45°C, and the storage temperature range is -20°C ~ +70°C. The humidity range is 5%~95%.
- Do not remove your SIM card unnecessarily. The SIM card may be easily lost or it can be damaged by static electricity.

FCC Warning

Any Changes or modifications not expressly approved by the party responsible for compliance could void the user's authority to operate the equipment.

This device complies with part 15 of the FCC Rules. Operation is subject to the following two conditions: (1) This device may not cause harmful interference, and (2) this device must accept any interference received, including interference that may cause undesired operation.

FCC Radiation Exposure Statement:

This equipment complies with FCC radiation exposure limits set forth for an uncontrolled environment. This equipment should be installed and operated with minimum distance 20cm between the radiator& your body. This transmitter must not be co-located or operating in conjunction with any other antenna or transmitter.

Note: This equipment has been tested and found to comply with the limits for a Class B digital device, pursuant to part 15 of the FCC Rules. These limits are designed to provide reasonable protection against harmful interference in a residential installation. This equipment generates uses and can radiate radio frequency energy and, if not installed and used in accordance with the instructions, may cause harmful interference to radio communications. However, there is no guarantee that interference will not occur in a particular installation. If this equipment does cause harmful interference to radio or television reception, which can be determined by turning the equipment off and on, the user is encouraged to try to correct the interference by one or more of the following measures:

- Reorient or relocate the receiving antenna.
- Increase the separation between the equipment and receiver.
- Connect the equipment into an outlet on a circuit different from that to which the receiver is connected.