

TROUBLESHOOTING

Your CommandoBOT does not respond correctly to your commands.

- x Make sure you are saying the command EXACTLY as you did when you trained your CommandoBOT.
- x Say "CommandoBOT" or whatever you have named it. Wait for it to respond "Beep" and repeat your command again.
- x Do not speak directly into the microphone. Your breathing may affect the voice recognition accuracy.
- x Do not get too close to your CommandoBOT. The best operating distance is 3 feet away from your CommandoBOT.
- x You can not operate more than one CommandoBOT at the same time.
- x It may be necessary to retrain your CommandoBOT if it has repeated difficulty responding correctly to your commands.

SAFE OPERATION

1. CommandoBOT works only on a hard flat floor or surface.
2. Do not aim "missiles" directly at any person or animal.
3. Do not operate during thunderstorms.
4. Never force the arms, legs and other parts of CommandoBOT to move by hand. All its functions must be activated by radio frequency/voice commands.
5. Never play with the CommandoBOT in sand, dirt, mud, water, on thick-pile carpets or on blankets. Keep your CommandoBOT clean and dry.
6. Remove all batteries when your CommandoBOT is not in use for long periods of time.
7. Select a safe place to play. Never operate your CommandoBOT in the street or near pedestrian traffic.
8. Keep your CommandoBOT and headset away from sources of heat or direct sunlight.
9. Don't leave your CommandoBOT and headset outside overnight. Night dampness is harmful and will affect performance.
10. Your CommandoBOT is operated by radio waves. Sometimes, erratic behavior or loss of control of your CommandoBOT may happen as a result of interference from nearby devices such as a cordless phone, hair dryer, radio, walkie-talkie or radio controlled toy. Should this type of behavior occur, change to a different location.

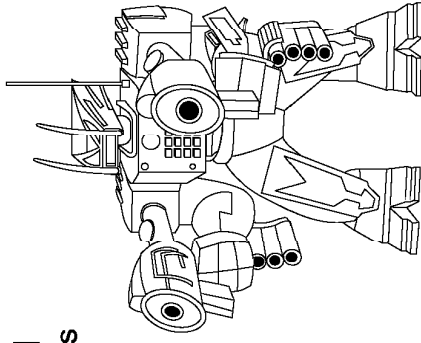
Contact us
Phone: 800-222-4658
In California: 818-894-2525
www.mgae.com

Your CommandoBOT will not respond or stop.

- x Press the MODE button on the headset once briefly to reset your CommandoBOT. Speak to your CommandoBOT again, first by calling it by name and then, after it says "Beep", repeating the command EXACTLY as you did when you trained it.
- x Check the batteries - you may need to replace them.
- x Your CommandoBOT was switched off during training and now won't respond.
- x DO NOT switch off the power during training. If you do, you must continue to complete the unfinished training cycle.

CommandoBOT® III Operating Instructions

247845



MASTER!

Congratulations! You are now the master of CommandoBOT, a voice recognition robot that responds to your voice commands. While wearing the headset, you will control and maneuver your CommandoBOT. Program your CommandoBOT to follow a sequence of commands. It will respond to 12 different spoken commands. CommandoBOT has a special room guard feature, a talk mode can function as a talk through walkie talkies.

CAUTION

- x Only an adult should replace the batteries.
- x Not suitable for children under 6 years old.
- x Contains small parts.

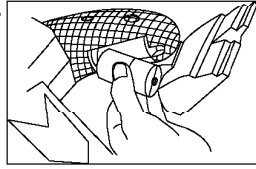
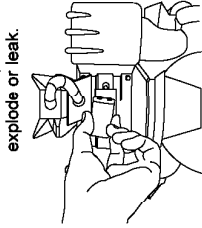
BATTERY INSTALLATION

HEADSET

1. Remove the battery cover on the headset.
2. Insert one new 9-volt battery with the positive (+) and negative (-) ends in the direction indicated inside the battery compartment.
3. Replace the cover.

CommandoBOT®

1. Unscrew the battery covers on the back of robot and on the left and right legs. Remove the guard piece on the legs.
2. Insert one new 9-volt battery in the back of the robot.
3. Install 4 D batteries into the battery compartments located on the left and right legs.
4. Place the positive (+) and negative (-) ends in the direction indicated inside the battery compartments.
5. Replace the covers and tighten the screws. Slice the guard pieces onto the legs.



BATTERY GUIDELINES

- x For better performance, use alkaline batteries.
- x Don't use old and new batteries together or mix different battery types.
- x Do not use rechargeable batteries.
- x Insert batteries with the correct polarity.
- x The supply terminals are not to be short-circuited.
- x Exhausted batteries are to be removed from the unit.
- x When not in use, for a long time, remove batteries to prevent possible leakage.
- x Do not dispose of batteries in fire, batteries may explode or leak.

GETTING STARTED

Now that your CommandoBOT and headset are battery-ready, place it on a hard flat surface and put your headset on, making sure it fits securely.

Turn on your CommandoBOT®

Slide the Power Switch on the back to ON position. A red LED light will indicate the power is on. Your CommandoBOT is now in a stationary state and ready to be activated.

Turn on your Headset

Slide the Power Switch to ON position. You will start to train your CommandoBOT

Remark:

Modifications not authorized by the manufacturer may void users authority to operate this device.

LIMITED 90 DAY WARRANTY

MGA Entertainment warrants to the original consumer purchaser this product that the product will be free from defects in material or workmanship for a period of 90 days from the date of original purchase. This warranty does not cover damages resulting from misuse, improper or abnormal usage, negligence, leaking batteries, improper service or other causes not arising from defects in material or workmanship.

During this 90 day warranty period, the product will be either repaired or replaced (at MGA's option) at no charge to the purchaser, when returned to either the retailer with its original sales receipt (containing date of purchase) or to MGA.

The foregoing states the purchaser's sole and exclusive remedy for any breach of warranty with respect to the product.

All product returned to MGA must be shipped prepaid and insured for loss or damage to:

MGA Entertainment
Repair Department
16730 Schoenborn Street
North Hills, CA 91343-3122

Any returned product should be carefully packed in packing material sufficient to avoid damage during shipment. Please include a written description of the defect, a copy of the original sales receipt (containing date of purchase) and your printed name, address and telephone number.

Some states do not allow limitations on how long an implied warranty last or the exclusion of incidental or consequential damages, so the above limitations may not apply to you. This warranty gives you specific rights and you may also have other rights which vary from state to state. This warranty is only valid within the United States and Canada.

Please keep this manual.

It contains important information.

CommandoBOT®
is a registered trademark
of MGA Entertainment
™, ® & © 2000 MGA Entertainment
All Rights Reserved.
Printed in China