

TROUBLE SHOOTING

IF THERE IS NO FUNCTION BETWEEN THE REMOTE CONTROL HANDSET AND THE SUB:

- Make sure you have turned ON the Remote Control and the Submarine.
- Check that the batteries are inserted properly. □
- Replace the old batteries with new alkaline batteries. □
- Move the remote control handset closer to your MBR to determine the best communication between the Remote Handset and the Racer. (The maximum operating range is approximately 5 to 8 feet.)

HELPFUL HINTS

- Do not operate during thunderstorms.
- Do not submerge your Handset in water.
- When your sub starts to lose power, recheck and if necessary replace the batteries.
- Your MBR is operated by radio waves. It is possible the unit may not perform properly due to interference from nearby devices such as a cordless phone, hair dryer, radio, walkie-talkie or other radio-controlled toys.
- Avoid sand and snow when operating your vehicle.
- Always select a safe place to play. Never operate your vehicle in populated water areas.
- Keep fingers, hair and loose clothing away from the propeller and motors while the sub is switched on.
- Your MBR will take in water. After playing, drain all water from the sub and wipe it with a dry cloth completely.
- **Do not play in deep water area.** Adult supervision is required during playing.

SAFE BATTERY PRECAUTIONS □

- Do not dispose the batteries in fire; batteries may leak or explode. □
- Different types of batteries or new and used batteries are not to be mixed.
- Only batteries of the same or equivalent type as recommended are to be used.
- The supply terminals are not to be short-circuited.
- Non-rechargeable batteries are not to be recharged.
- Rechargeable batteries are only to be charged under adult supervision.
- When not in use for an extended time, remove batteries to prevent possible leakage.
- Batteries are to be inserted with the correct polarity.
- Exhausted batteries are to be removed from the toy.
- Batteries should be replaced by adult.

IMPORTANT: □

- MODIFICATIONS NOT AUTHORIZED BY THE MANUFACTURER MAY VOID USER'S AUTHORITY TO OPERATE THIS DEVICE. □
- EMISSIONS OR INTERFERENCE OF SURROUNDING ELECTRONIC EQUIPMENT MAY AFFECT OPERATING PERFORMANCE.

FCC statement

This device complies with part 15 of the FCC Rules. Operation is subject to the following two conditions:
(1) this device may not cause harmful interference, and
(2) this device must accept any interference received, including interference that may cause undesired operation.

CAUTION:

- Do not use rechargeable batteries for the Remote Control Handset.
- Not suitable for children under 3 years. □
- May contain small parts.

NOTES:

This equipment has been tested and found to comply with limits for a Class B digital device, pursuant to Part 15 of the FCC Rules. These limits are designed to provide reasonable protection against harmful interference in a residential installation. This equipment generates, uses and can radiate radio frequency energy and, if not installed and used in accordance with the instruction, may cause harmful interference to radio communications. However, there is no guarantee that interference will not occur in a particular installation. If this equipment does cause harmful interference to radio or television reception, which can be determined by turning the equipment off and on, the user is encouraged to try to correct the interference by one or more of the following measures:

- Reorient or relocate the receiving antenna.
- Increase the separation between the equipment and receiver.
- Connect the equipment into an outlet on a circuit different from that to which the receiver is connected.
- Consult the dealer or an experienced radio/TV technician for help.

Model Number 262299



Tested To Comply
With FCC Standards

FOR HOME OR OFFICE USE

PLEASE KEEP THIS INSTRUCTION SHEET SINCE IT CONTAINS IMPORTANT INFORMATION.

TM & © 2003 MGA Entertainment ©
All Rights Reserved.
16730 Schoenborn St.,
North Hills, CA 91343 USA
(800) 222-4685

Printed in China

0103-0



MICROBLAST RACERS

AMAZING SUPER SPEED!

AGES 6+

They may be small, but they've got BIG power! These full-functional, radio-controlled submarines are everything you'd expect in an R/C water vehicle ten times the size! Just place them in nearly any body of water to experience high-speed powerboat action anytime you want! Available in two radio frequencies and two styles for true sub-racing action, these racers are sure to sink the competition—BIG TIME!

QUICK START

STEP 1: BATTERY INSTALLATION

- Radio Control Handset

1. Switch the power to "OFF".
2. Unscrew the battery compartment cover located on the back of the handset with a Phillips screwdriver and remove. (see Fig. 1)
3. Insert 1-9Volt Alkaline battery in the proper direction as indicated inside the battery compartment. (see Fig. 1)
4. Replace the battery cover & tighten screw securely.
5. Switch the power to "ON".

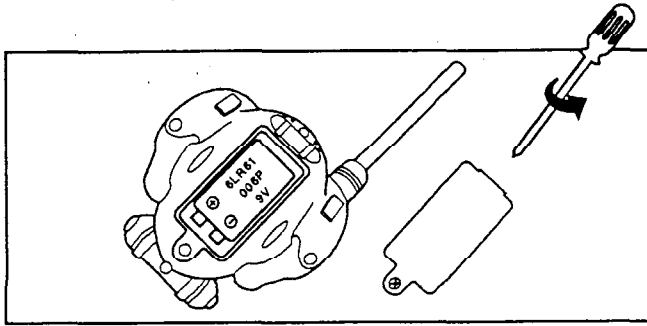


Figure 1

- Submarine

1. Unscrew the battery compartment cover with a Phillips screwdriver & remove. (see Fig. 2)
2. Insert 3 AAA (1.5V) Alkaline batteries in the proper direction as indicated inside the battery compartment. (see Fig. 2)
3. Replace the battery cover & tighten screw securely.

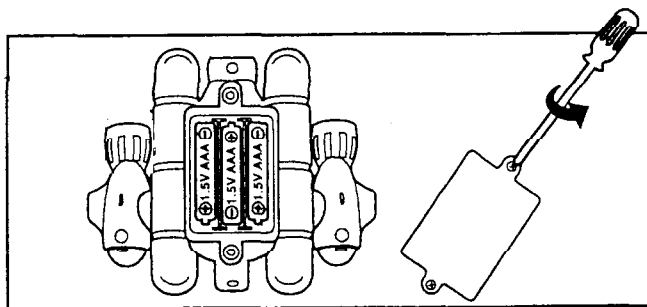


Figure 2

STEP 2: RACING YOUR MBR

1. Switch the Remote Control Handset to "ON", the red indicator will turn on.
2. Push the LEFT and RIGHT propeller control buttons to race your MBR in any direction! (see Fig. 3 & 4)
3. Push the Up and Down Button (on rear side) to rotate the propeller to up and down. (see Fig. 5 & 6)
4. Pull the On/Off button on top of the submarine to switch it on. (see Fig. 5)

Race the 27 MHz Micro Blast Racers Against the 49 MHz Racers for awesome competitive water-racing action!

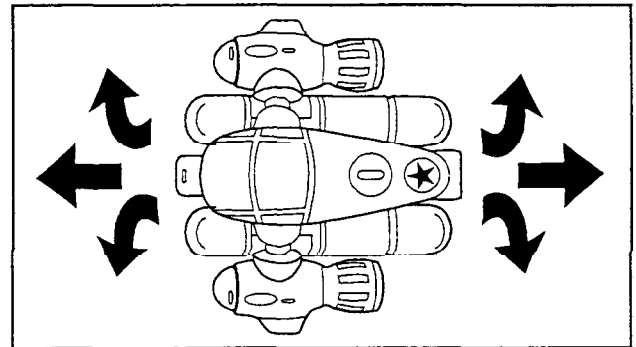


Figure 3

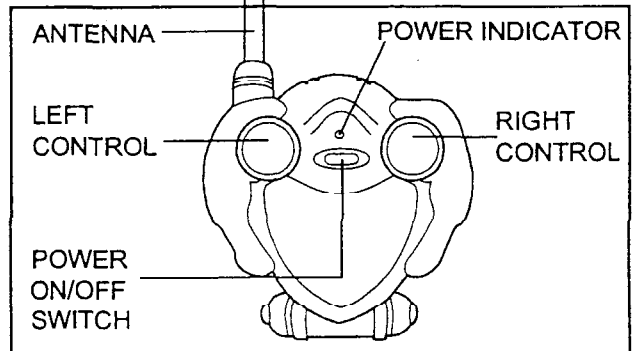


Figure 4

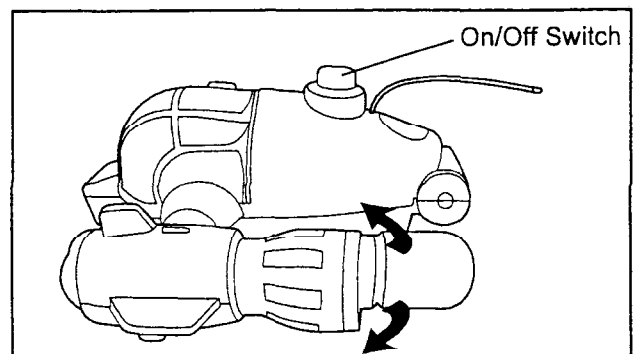


Figure 5

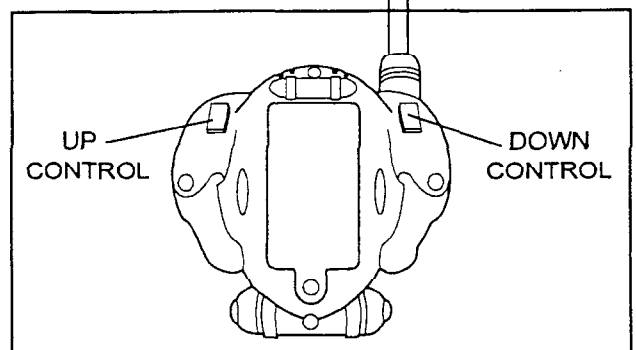


Figure 6