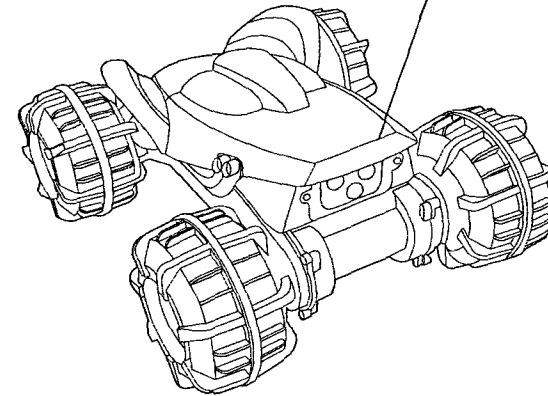


## INSTALLATION AND OPERATING GUIDE



Please retain this instruction manual since it contains important information.



www.bratzpack.com  
www.bratzpetz.com  
TM & © MGA Entertainment, Inc.  
BRATZ™, BRATZ PETZ™, LIL' BRATZ™,  
BRATZ BABYZ™, and all related logos, names,  
characters, distinctive likenesses and slogans  
are the exclusive property of MGA.  
16300 Roscoe Blvd.  
Van Nuys, CA 91406 USA  
(800) 222-4685  
Printed in China

The preferred method of contact for  
Customer Service is through our e-mail  
contact form at [www.mgae.com](http://www.mgae.com)



## INSTALL THE BATTERIES

Land Sea RC tm is a incredible vehicle which can playing on both land and water. While playing on land, Land Sea RC tm is running at 4 wheels drive at super fast speed and control with front wheel steering. While playing on water, Land Sea RC tm will be automatically change to water mode and controlled by paddle on left and right wheels.

## INSTALL THE BATTERIES

Land Sea RC tm is operated by a 7.2V sub-C rechargeable battery, (7.2V sub-C 1600mAH rechargeable battery is recommended for better performance), and a 9V battery for the remote control unit. Batteries are not included and you can easily to buy the mentioned batteries at the store.

## INSTALL THE BATTERIES (con't)

On vehicle (Fig. 1)

- 1) Before install the 7.2V sub-C rechargeable battery into the Land Sea RC™, please make sure the rechargeable battery are fully charged.
- 2) Open the battery door with a Philip's head screwdriver (not included).
- 3) Insert the 7.2V sub-C rechargeable battery into the battery compartment and plugged the power jack correctly.
- 4) Closed the battery door tightly so that water cannot be lead into the battery compartment even when playing on water.
- 5) Push the power switch underneath the chassis for power on. Power switch will be light up once power on. (Fig. 2)

Hint: If you Land Sea RC™ is not running straight, please fine tune the Steering Adjuster to keep your vehicle running straight.

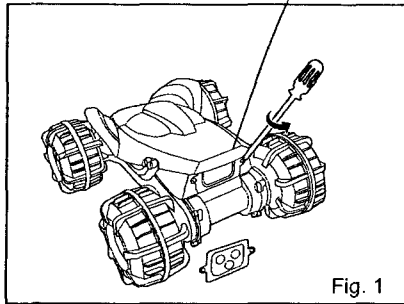


Fig. 1

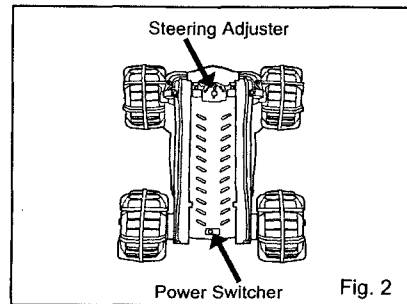


Fig. 2

On remote control (Fig 3)

- 1) Open the battery door with a Philip's head screwdriver (not included).
- 2) Insert the 9V battery into the battery compartment with correct polarity.
- 3) Closed the battery door.
- 4) Slide the On/Off switch to on position and a red light indicator will be light up after turn on. (Fig 4)
- 5) Screw in the antenna and extend the antenna to its maximum length so as to have highest remote control distance.

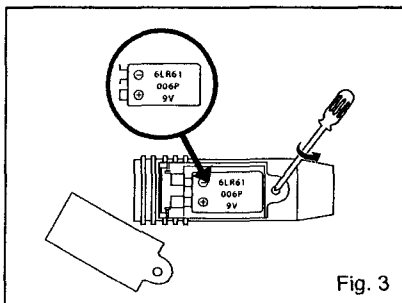


Fig. 3

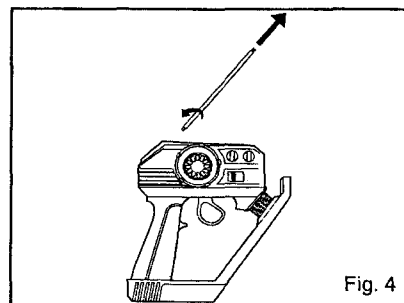


Fig. 4

2

Your Land Sea RC™ is now ready for run and enjoy with fun!

## OPERATION

There had 2 modes to control your Land Sea RC™, the first one is land mode and the second one is water mode. Land Sea RC™ will automatically change to the appropriate mode when it is playing on land or on water. There had two brass control pins placed underneath the chassis and Land Sea RC™ will change to water model when these pins are dips into water.

For Land mode (Fig. 5 & Fig. 6),

- 1) Pull the speed control, Land Sea RC™ will be run forward.
- 2) Push the speed control, Land Sea RC™ will be run backward
- 3) Pull the speed control together with rotate the steering control anti-clockwise, Land Sea RC™ turn left.
- 4) Pull the speed control together with rotate the steering control clockwise, Land Sea RC™ turn right.

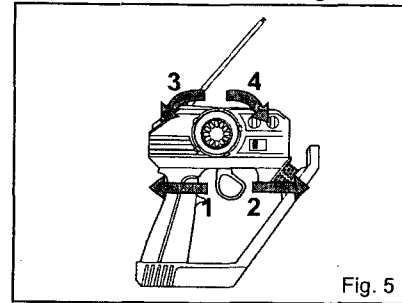


Fig. 5

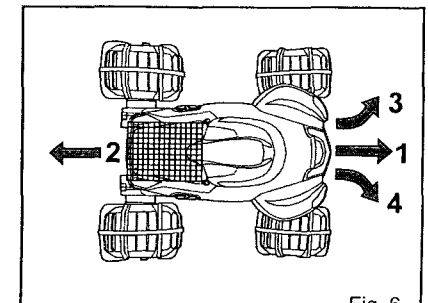


Fig. 6

For Water mode (Fig. 7 & Fig. 8),

- 1) Pull the speed control, Land Sea RC™ will be run forward.
- 2) Push the speed control, Land Sea RC™ will be run backward
- 3) Pull the speed control together with rotate the steering control anti-clockwise, the right wheels will be operated and cause Land Sea RC™ turn left.
- 4) Pull the speed control together with rotate the steering control clockwise, the left wheels will be operated and cause Land Sea RC™ turn left.
- 5) If only rotate the steering control clockwise (or anti-clockwise) without pull the speed control, Land Sea RC™ will be spin clockwise (or anti-clockwise).

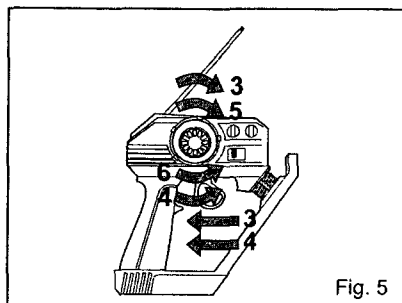


Fig. 5

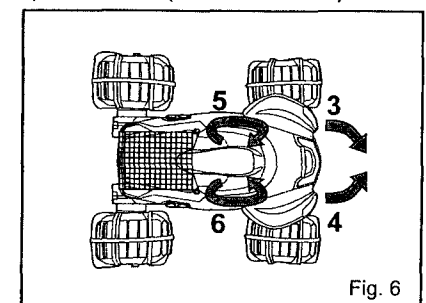


Fig. 6

After playing Land Sea RC™ on water, remove any water or moisture from Land Sea RC™ and use a clean, dry cloth for cleaning.

3

## HELPFUL HINTS

- 1) Do not operate during thunderstorms.
- 2) Do not submerge remote control unit into water.
- 3) When your Land Sea RC™ starts to lose power, it may experience loss of performance ability. If this happens, simply replace (or recharge) the rechargeable battery.
- 4) Land Sea RC™ is operated by radio waves. It is possible the unit may not perform properly due to interference from nearby devices such as a cordless phone, hair dryer, radio, walkie-talkie or other radio-controlled toys.
- 5) After playing on water, remove any water or moisture from Land Sea RC™. Use a clean, dry cloth for cleaning.
- 6) When playing in water, operate Land Sea RC™ only in calm, clear water. Pools and shallow ponds are recommended. Do not operate in salt water or sea. Do not expose Land Sea RC™ to water unless the battery compartment cover is properly closed.
- 7) When Land Sea RC™ start to lose power, you should pay close attention to Land Sea RC's location, making sure that it's close to the water's edge. That way, your Land Sea RC™ will be able to return safely under its own power.
- 8) To avoid accidental operation, remove all batteries when not in use.

## CAUTION

- 1) MODIFICATION NOT AUTHORIZED BY MANUFACTURER MAY VOID USERS AUTHORITY TO OPERATE THIS DEVICE.
- 2) EMISSIONS OR INTERFERENCE OF SURROUNDING ELECTRONIC EQUIPMENT MAY AFFECT OPERATING PERFORMANCE.

## SAFETY BATTERY USAGE

- 1) Non-rechargeable batteries are not to be recharged.
- 2) Rechargeable batteries are to be removed from the toy before being charged.
- 3) Rechargeable batteries are only to be charged under adult supervision.
- 4) Different types of batteries or new and used batteries are not to be mixed.
- 5) Only batteries of the same or equivalent type as recommended are to be used.
- 6) Batteries are to be inserted with the correct polarity.
- 7) Exhausted batteries are to be removed from the toy.
- 8) The supply terminals are not to be short-circuited.
- 9) Do not dispose of the batteries in fire; batteries may leak or explode.
- 10) Batteries should be replaced by an adult.
- 11) When not in use for an extended time, remove batteries to prevent possible leakage.

## NOTES

This equipment has been tested and found to comply with the limits for a Class B digital device, pursuant to Part 15 of FCC Rules. These limits are designed to provide reasonable protection against harmful interference in a residential installation. This equipment generates, uses, and can radiate radio frequency energy and if not installed and used in accordance with the instructions, may cause harmful interference will not occur in a particular installation. If this equipment does cause harmful interference to radio or television reception, which can be determined by turning the equipment off and on, the user is encouraged to try to correct the interference by one or more of the following measures:

- Reorient or relocate the receiving antenna.
- Increase the separation between the equipment and the receiver.
- Connect the equipment into an outlet on a circuit different from that to which the receiver is connected.
- Consult the dealer or an experienced radio/TV technician for help.