

CONSUMER SERVICE TOLL-FREE NUMBER: 1-800-321-0183
 United States: www.littletikes.com
 Monday - Friday
 The Little Tikes Company
 PO Box 2277, 2180 Barlow Road
 Hudson, Ohio 44236-0877

United Kingdom: www.littletikes.co.uk
 Little Tikes, MGA Entertainment
 Ash House, 19 Medicott Close
 Blenheim Park, Oakley Hay Industrial Estate
 Corby, Northants, NN16 9AF
 Tel: + 44 1536 424 820
 Fax: + 44 1536 424 829

LIMITED WARRANTY

The Little Tikes Company makes fun, high quality toys. We warrant to the original purchaser that this product is free of defects in materials or workmanship for one year * from the date of purchase (dated sales receipt is required for proof of purchase). At the sole discretion of The Little Tikes Company, the only remedies available under this warranty will be either replacement of the

defective part of the product or refund the purchase price of the product. This warranty is valid only if the product has been assembled and maintained per the instructions. This warranty does not cover abuse, accident, cosmetic issues such as fading or scratches from normal wear, or any other cause not arising from defects in material and workmanship.

U.S.A. and Canada: For warranty service or replacement part information, please visit our website at www.littletikes.com, call 1-800-321-0183 or write to: Consumer Service, The Little Tikes Company, 2180 Barlow Road, Hudson OH 44236, U.S.A. Some replacement parts may be available for purchase after warranty expires—contact us for details.

Outside U.S.A. and Canada: Contact place of purchase for warranty service.

This warranty gives you specific legal rights, and you may also have other rights, which vary from country/state to country/state. Some country/state do not allow the exclusion or limitation of incidental or consequential damages, so the above limitation or exclusion may not apply to you.

*The warranty period is three (3) months for daycare or commercial purchasers



Cook'n Learn Kitchen

Ages 3 years & up
 Adult Assembly & Battery Installation Required

Item #600746



Also Available:

Cupcakes Set
 Level 1: teaches colors
 Level 2: teaches opposites

Pasta Dinner Set
 Level 1: teaches following directions
 Level 2: teaches food groups

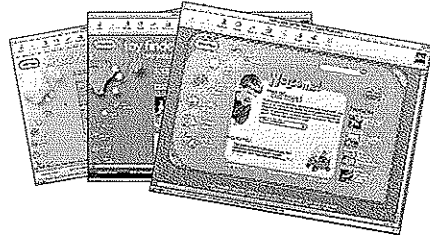
Birthday Cake Set
 Level 1: teaches numbers
 Level 2: teaches logic

Pizza Set
 Level 1: teaches shapes
 Level 2: teaches quarter, half, whole

Parent Guide and Instructions
 This guide contains important information. Please keep it for future reference.

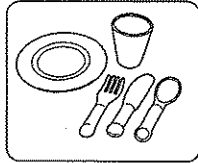
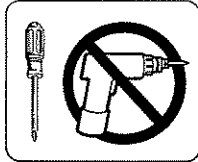
little tikes littletikes.com

- Catalogue des produits
- Nouveaux jouets
- Service clientèle
- Pièces de rechange
- Concours publicitaire
- Rejoignez notre club
- Catálogo de productos
- Juguetes nuevos
- Servicio al cliente
- Piezas de repuesto
- Sorteos
- Unase a nuestro club
- Product catalog
- New toys
- Customer service
- Replacement parts
- Sweepstakes
- Join our club

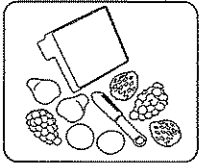


600746

626007461-4/07



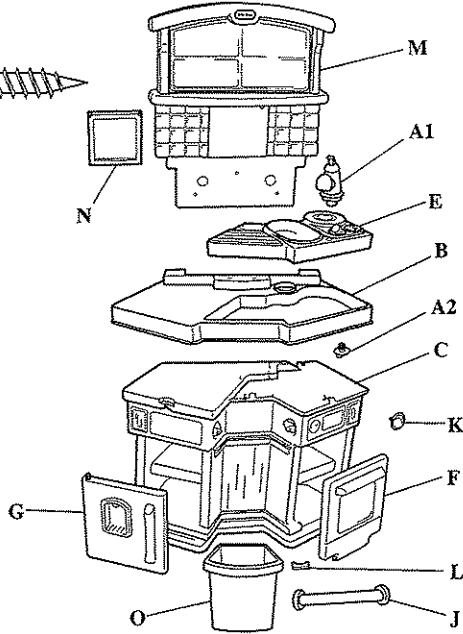
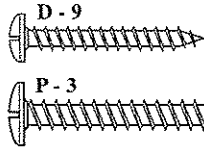
Veggie Stir Fry Set



Cutting Fruit Salad Set



Breakfast Set



ENGLISH

COOK 'N' LEARN KITCHEN

Ages: 3 years and up
Please save sales receipt for proof of purchase.

ADULT ASSEMBLY REQUIRED.

- **WARNING:** Prior to assembly, this package contains small parts: hardware which is a choking hazard and may contain sharp edges and sharp points. Keep away from children until assembled.
- **IMPORTANT: DO NOT** immerse play sets items in water. Wash with a damp cloth only.
- Clean kitchen with a slightly damp cloth (cold water) and mild soap.

BATTERY SAFETY INFORMATION:

- Keep these instructions for future reference.

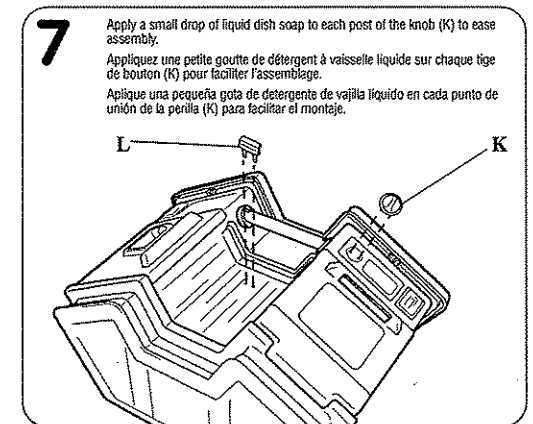
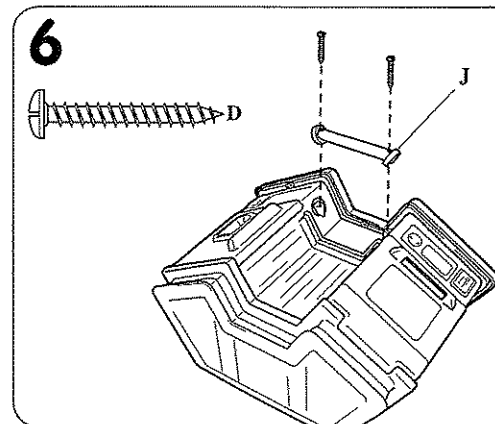
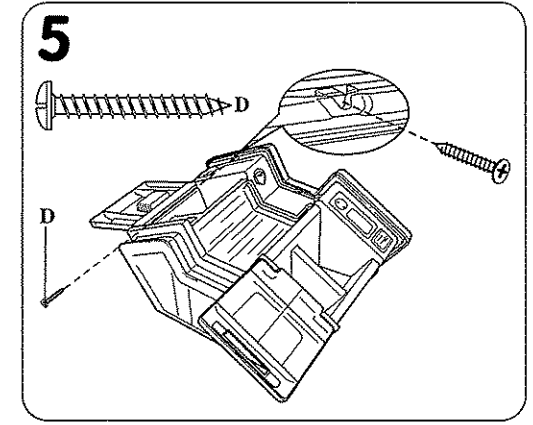
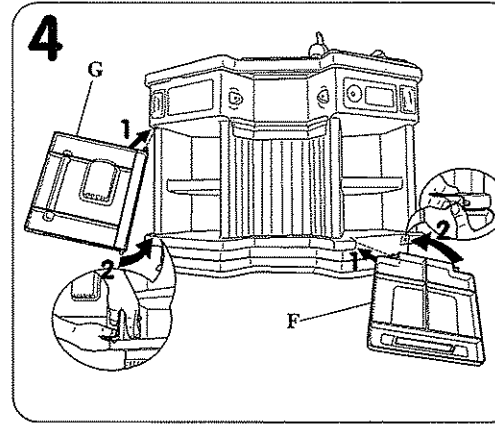
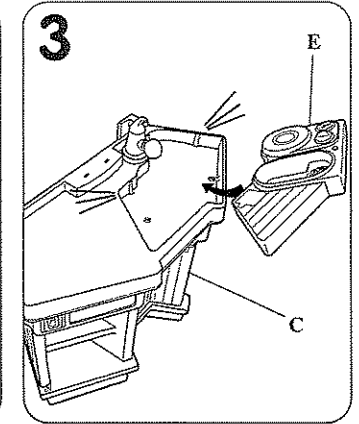
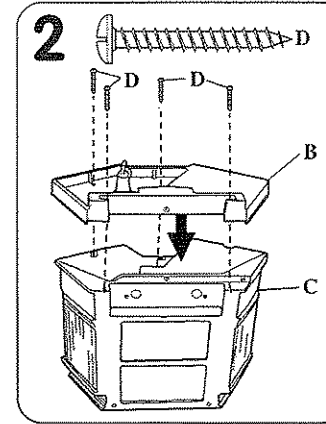
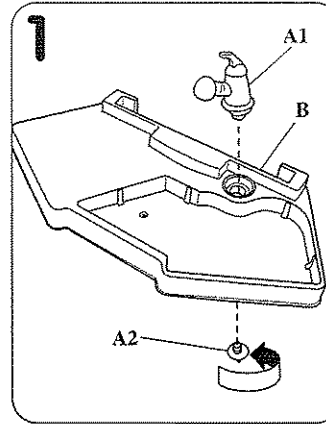
- Requires 3 "AA" (LR6) alkaline batteries (not included). (Rechargeable batteries may be substituted.)
 - **Illus. 11** - Install batteries correctly. If batteries are installed backwards, this product will not work.
 - To avoid battery leakage:
1. Follow the toy and battery manufacturer's installation instructions.
 2. Do not mix old and new batteries. Do not mix standard (carbon-zinc), alkaline or rechargeable (nickel-cadmium or nickel-metalhydride) batteries. Do not mix different brands of batteries. Only batteries of the same or equivalent type as recommended are to be used.
 3. Remove dead or exhausted batteries from product. Dispose of dead batteries properly; do not burn or bury them.
 4. Make sure cover is properly installed on unit at all times.
 - Do not attempt to recharge non-rechargeable batteries.
 - Charging of rechargeable batteries should be done under adult supervision with batteries removed from product.
 - Supply terminals are not to be short circuited.

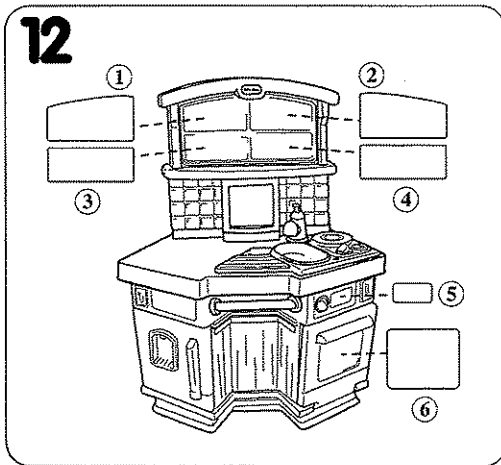
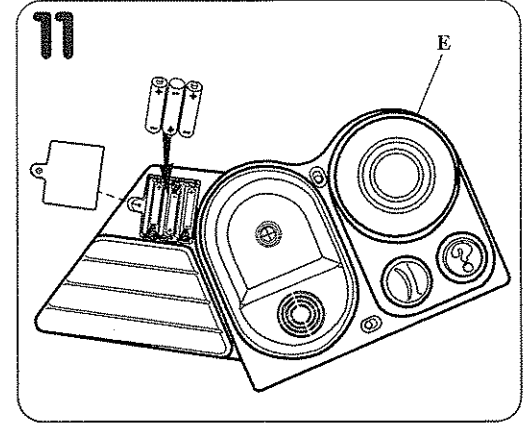
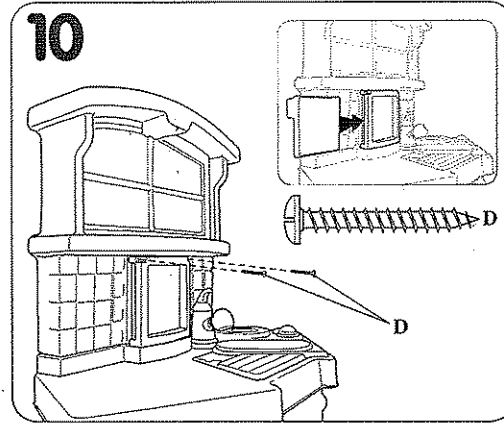
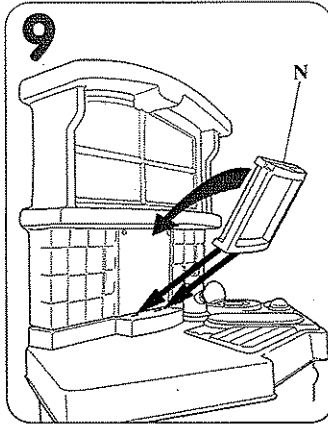
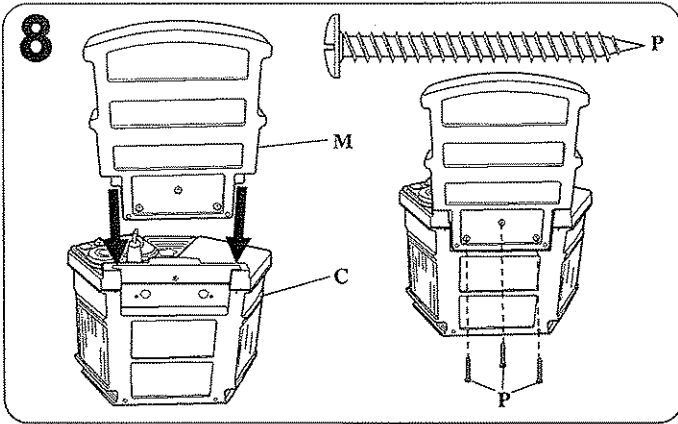
NOTE: If the unit stops working or doesn't work as it should, remove the batteries for a few minutes and then re-insert them. If there is still a problem, install new batteries.

ASSEMBLY HINT:
Illus. 7: Apply a small drop of liquid dish soap to each post of the knob (K) to ease assembly.

CONSUMER SERVICE

TOLL-FREE NUMBER:
United States:
www.littletikes.com
1-800-321-0183
Monday - Friday
The Little Tikes Company
PO Box 2277
2190 Barlow Road
Hudson, Ohio 44236-0877





United Kingdom:
www.littletikes.co.uk
 Little Tikes
 MGA Entertainment
 Ash House
 19 Medicott Close
 Blenheim Park
 Oakley Hay Industrial Estate
 Corby, Northants, NN18 9NF
 Tel: + 44 1536 424 820
 Fax: + 44 1536 424 829

Printed in USA.
 © R.C. 2007 The Little Tikes Company

LIMITED WARRANTY

The Little Tikes Company makes fun, high quality toys. We warrant to the original purchaser that this product is free of defects in materials or workmanship for one year* from the date of purchase (dated sales receipt is required for proof of purchase). At the sole election of The Little Tikes Company, the only remedies available under this warranty will be either replacement of the defective part of the product or refund the purchase price of the product. This warranty is valid only if the product has been assembled and maintained per the instructions. This warranty does not cover abuse, accident, cosmetic issues such as fading or scratches from normal wear, or any other cause not arising from defects in material and workmanship.

U.S.A and Canada: For warranty service or replacement part information, please visit our website at www.littletikes.com, call 1-800-321-0183 or write to: Consumer Service, The Little Tikes Company, 2180 Barlow Road, Hudson OH 44236, U.S.A. Some replacement parts may be available for purchase after warranty expires—contact us for details.

Outside U.S.A and Canada: Contact place of purchase for warranty service.

This warranty gives you specific legal rights, and you may also have other rights, which vary from country/state to country/state. Some countries/state do not allow the exclusion or limitation of incidental or consequential damages, so the above limitation or exclusion may not apply to you.

*The warranty period is three (3) months for daycare or commercial purchasers.

Getting Started

- Assemble the Cook'n Learn Kitchen according to the assembly instructions (included).

1. Using a Phillips screwdriver: (not included) remove the screw and battery compartment cover from the stove top.

- Install 3 "AA" batteries as indicated in the battery compartment.
- Replace the compartment cover and tighten the screw.
- Set the volume control switch located on the stove top between the knob and sink. Volume can be set high, low or off.
- Before turning on kitchen, select level of difficulty of each lesson (Level One or Level Two). Level switch is located on stove top between sink and burner.

Instructions For Play

FREE PLAY MODE

- Turn the kitchen ON by turning the knob on the stovetop, right or left. This will put the Cook'n Learn Kitchen automatically into Free Play mode.
- To begin play, place any food item on the cutting board, in a pan on the stove or directly on the stove for the kitchen to scan.

RECIPE MODE

- Choose a Recipe Card and gather all its ingredients.
- To activate Recipe Mode, push the "question mark" button and the kitchen indicates it's ready for play by saying "Well hello there..."
- Now in RECIPE MODE, child should place any one of the food items from the chosen recipe card on the cutting board or burner. This first scan determines what lesson will begin. Note: Cutting fruit must have both halves together for scanner to read properly.
- Following each prompt, child has 3 tries to place correct item on the requested reader (burner or cutting board), the kitchen then moves on to the next question. If no response is given, kitchen will go into sleep mode (power off).
- The kitchen can only read 4 items at one time. If more than 4 items are placed on the cutting board and burner combined, the child will be asked to remove them.
- Song plays at end of each lesson. Once song is completed, kitchen will revert to Free Play Mode or press the Recipe Mode button to start a new lesson.

Breakfast

Level 1: teaches following directions
Level 2: teaches food groups



Cutting Fruit Salad

Level 1: teaches colors
Level 2: teaches textures



Veggie Stir Fry

Level 1: teaches sorting
Level 2: teaches sizes



Battery Safety Information

- Keep these instructions for future reference.
- Use only the size and type of battery specified on product and install so polarity (+/-) matches the diagram in the battery compartment. A reversed battery may cause product malfunction.
- Do not attempt to recharge non-rechargeable batteries.
- Only an adult should charge rechargeable batteries with batteries removed from product.
- Do not short circuit battery terminals.

To avoid battery leakage:

- Follow toy and battery manufacturer installation instructions.
- All batteries should be changed at the same time. Mixing old and new batteries may cause product malfunction. Do not mix standard (carbon-zinc), alkaline or rechargeable (nickel-cadmium or nickel-metalhydride) batteries. Do not mix different brands of batteries. Use only the recommended (or equivalent) type of battery.
- Remove dead or exhausted batteries from product, or if product is not used for an extended period. Dispose of dead batteries properly; do not burn or bury them.
- Make sure cover is properly installed on unit at all times.

Caring For Your Kitchen

- Keep product away from foods and beverages.
- Clean kitchen with a slightly damp cloth (cold water) and mild soap.
- IMPORTANT: DO NOT immerse food play sets items in water. Wash with a damp cloth only.**
- Remove batteries during prolonged storage.
- Avoid exposing product to extreme temperatures.

Troubleshooting

PlaySmarter System™ announces when the battery is low. You'll hear "Low Battery"!	
Kitchen does not turn ON or does not respond	<ul style="list-style-type: none"> Make sure batteries are correctly installed Remove batteries and put them back in Install new batteries
Kitchen behaves erratically	<ul style="list-style-type: none"> Verify there is NO MORE than 4 food items on the scanner Remove batteries and put them back in Install new batteries
I've misplaced and/or lost a food item	<ul style="list-style-type: none"> Simply hit the "Question Mark" button and kitchen will skip to the next prompt

This device complies with Part 15 of the FCC Rules. Operation is subject to the following two conditions: 1) This device may not cause harmful interference, and 2) This device must accept any interference received, including interference that may cause undesired operation.

WARNING: Changes or modifications to this unit not expressly approved by the party responsible for compliance could void the user's authority to operate the equipment.

- Do not use the burner with or near water.
- Do not expose the burner to extreme temperatures. Use and store kitchen in normal temperature environments.
- Clean the burner with a damp cloth. Do not use harsh chemicals, solvents or strong detergents.

This Class B digital apparatus complies with Canadian ICES-003.
NOTE: This equipment has been tested and found to comply with the limits for a Class B digital device, pursuant to Part 15 of the FCC Rules. These limits are designed to provide reasonable protection against harmful interference in a residential installation. This equipment generates, uses and can radiate radio frequency

energy and, if not installed and used in accordance with the instructions, may cause harmful interference to radio communications.

However, there is no guarantee that interference will not occur in a particular installation. If this equipment does cause harmful interference to radio or television reception, which can be determined by turning the equipment off and on, the user is encouraged to try to correct the interference by one or more of the following measures:

- Reorient or relocate the receiving antenna.
 - Increase the separation between the equipment and receiver.
 - Connect the equipment into an outlet on a circuit different from that to which the receiver is connected
 - Consult the dealer or an experienced radio/TV technician for help
- Carrier frequency: 13.56MHz
Field strength and measurement distance: 22.4dBuV/m@30m
(Acceptable level: below 84dBuV@30m)