



Construct 'n Learn Smart Workbench™

ENG

WARNING:
CHOKING HAZARD—Small parts.
Not for children under 3 years.

643651C

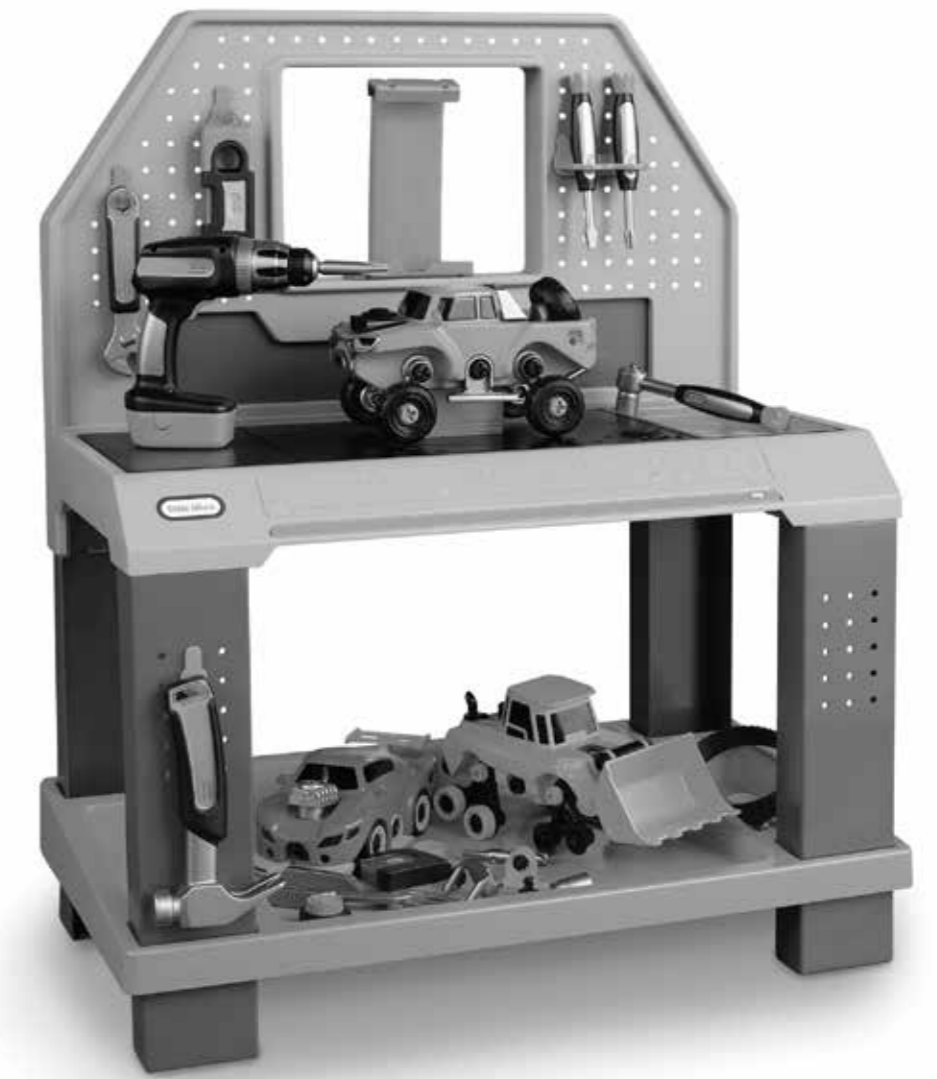
3+ YEARS
ADULT SUPERVISION AND BATTERY INSTALLATION REQUIRED



The Construct 'n Learn Smart Workbench™ will launch and run on all Android devices 4.3 or higher and all Apple devices running iOS 7 and above. Devices must support Bluetooth LE for the app to sync with the workbench. For a complete list of compatible devices, please visit littletikes.com/smartworkbench



Download the Smart Workbench app using the QR code here, or by visiting littletikes.com/smartworkbench



⚠ WARNING

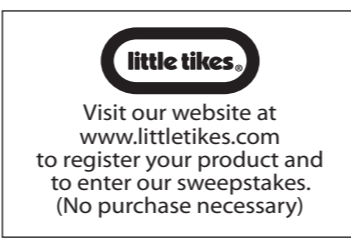
- ADULT ASSEMBLY REQUIRED
- Keep these instructions for future reference.
- Keep long hair and loose apparel away from the rotating drill bit.
- Prior to assembly, this package contains small parts: hardware which is a choking hazard and may contain sharp edges and sharp points. Keep away from children until assembled.
- This product is intended for indoor family use only.
- This product is intended for use by children ages 3 years and up.
- Do not allow children to sit, stand, play or climb on the top surface. Failure to do so may cause the product to become unstable.
- **IMPORTANT:** DO NOT immerse RFID chip items in water. Wash with a damp cloth only.
- Electronic devices to be installed and removed by an adult only.

Please keep this manual as it contains important information.



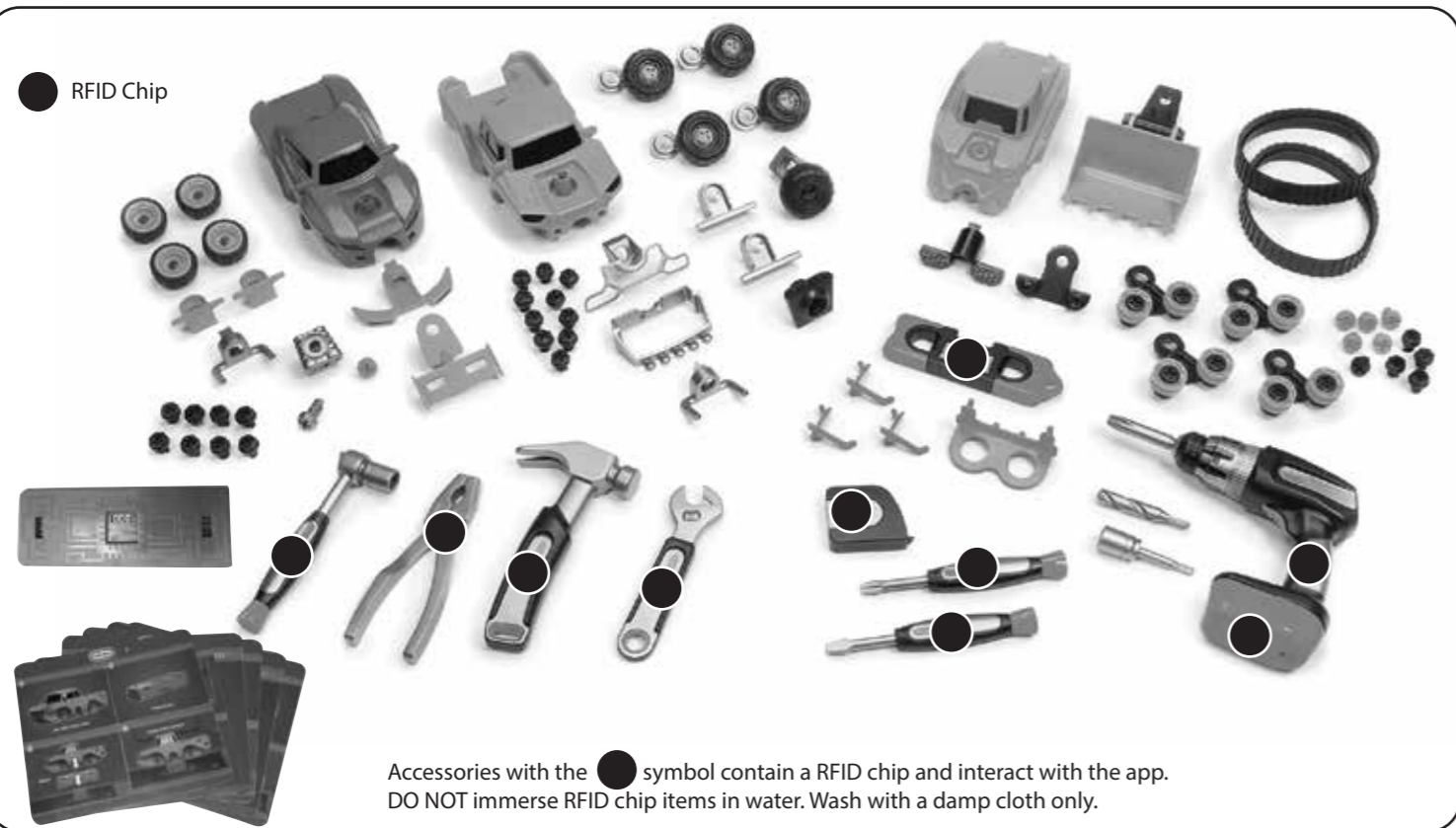
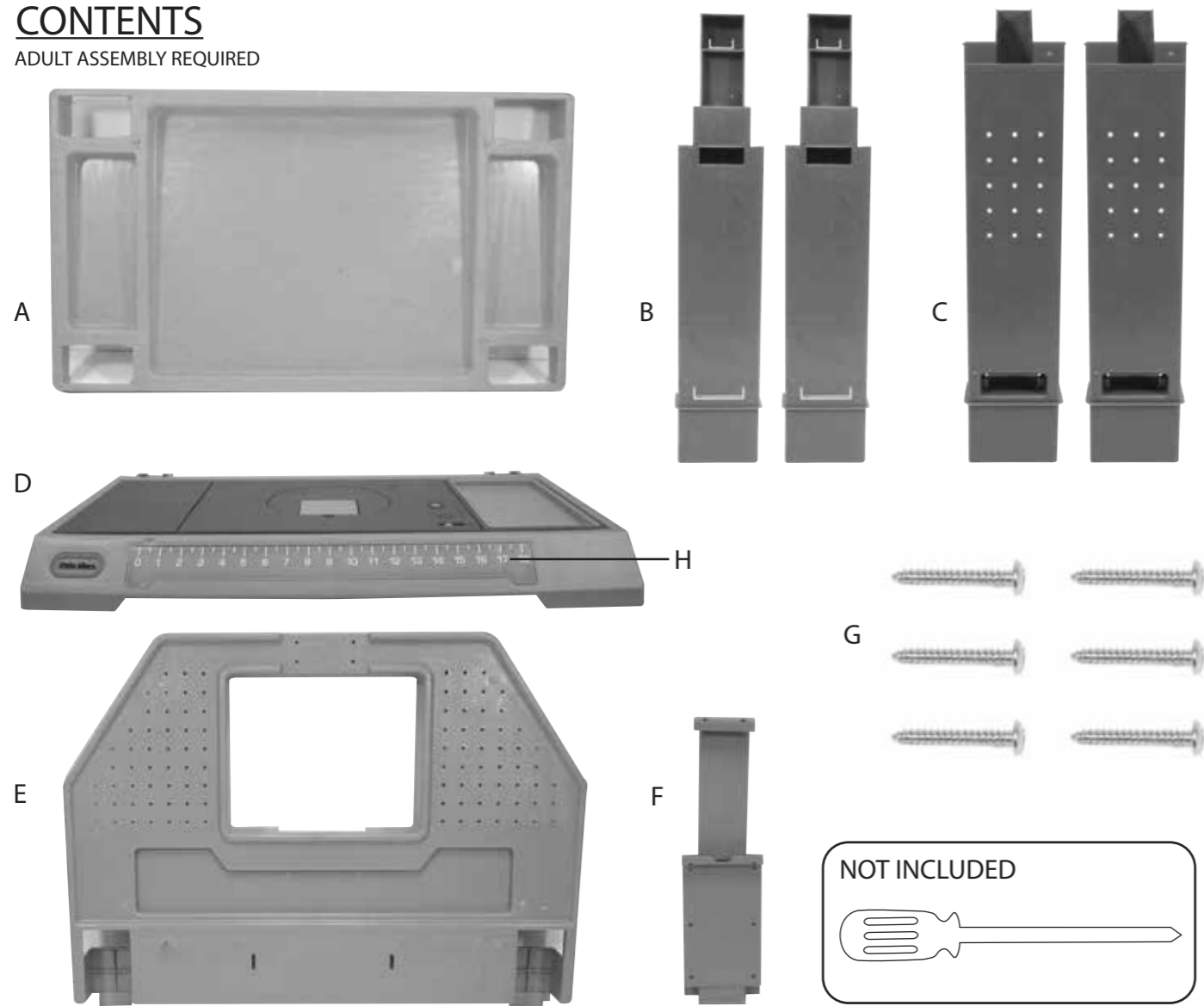
© The Little Tikes Company, an MGA Entertainment company. LITTLE TIKES® is a trademark of Little Tikes in the U.S. and other countries. All logos, names, characters, likenesses, images, slogans, and packaging appearance are the property of Little Tikes. Little Tikes Consumer Service 2180 Barlow Road Hudson, Ohio 44236 U.S.A. 1-800-321-0183 Printed in China

MGA Entertainment UK Ltd 50 Presley Way Crownhill Milton Keynes MK8 0ES Bucks, UK 0800 521 558 www.littletikes.com www.littletikes.co.uk



CONTENTS

ADULT ASSEMBLY REQUIRED



IMPORTANT INFORMATION

- Please save sales receipt for proof of purchase.
- Clean the unit with a slightly damp cloth (cold water) and mild soap if necessary.
- Real tools are not recommended for use with this unit or accessories.
- Do not apply ruler sticker to anything other than the work surface, as it may not be removed.
- Always turn the work surface and drill OFF after use to conserve battery power.
- **NOTE:** If the unit stops working or doesn't work as it should, remove the batteries for a few minutes and then re-insert them. If there is still a problem, install new batteries.
- **DISPOSAL:** Disassemble and dispose of equipment in such a manner that no hazardous conditions such as, but not limited to, small parts and sharp edges exist at the time the equipment is discarded.

LIMITED WARRANTY

The Little Tikes Company makes fun, high quality toys. We warrant to the original purchaser that this product is free of defects in materials or workmanship for one year * from the date of purchase (dated sales receipt is required for proof of purchase). At the sole election of The Little Tikes Company, the only remedies available under this warranty will be the replacement of the defective part or replacement of the product. This warranty is valid only if the product has been assembled and maintained per the instructions. This warranty does not cover abuse, accident, cosmetic issues such as fading or scratches from normal wear, or any other cause not arising from defects in material and workmanship. *The warranty period is three (3) months for daycare or commercial purchasers. U.S.A and Canada: For warranty service or replacement part information, please visit our website at www.littletikes.com, call 1-800-321-0183 or write to: Consumer Service, The Little Tikes Company, 2180 Barlow Road, Hudson OH 44236, U.S.A. Some replacement parts may be available for purchase after warranty expires—contact us for details. Outside U.S.A and Canada: Contact place of purchase for warranty service. This warranty gives you specific legal rights, and you may also have other rights, which vary from country/state to country/state. Some countries/states do not allow the exclusion or limitation of incidental or consequential damages, so the above limitation or exclusion may not apply to you.

BATTERY SAFETY INFORMATION

- Use only size "AA" (LR6) alkaline batteries (4 required) and "AAA" (LR03) alkaline batteries (3 required).
- Charging of rechargeable batteries should only be done under adult supervision.
- Remove rechargeable batteries from the product before recharging.
- Do not mix old and new batteries.
- Do not mix alkaline, standard (carbon-zinc), or rechargeable batteries.
- Be sure to insert the batteries correctly and follow the toy and battery manufacturer's instruction.
- Always remove exhausted or dead batteries from the product.
- Dispose of dead batteries properly: do not burn or bury them.
- Do not attempt to recharge non-rechargeable batteries.
- Avoid short-circuiting battery terminals.
- Remove batteries before placing the unit into storage for a prolonged period of time.

FCC COMPLIANCE

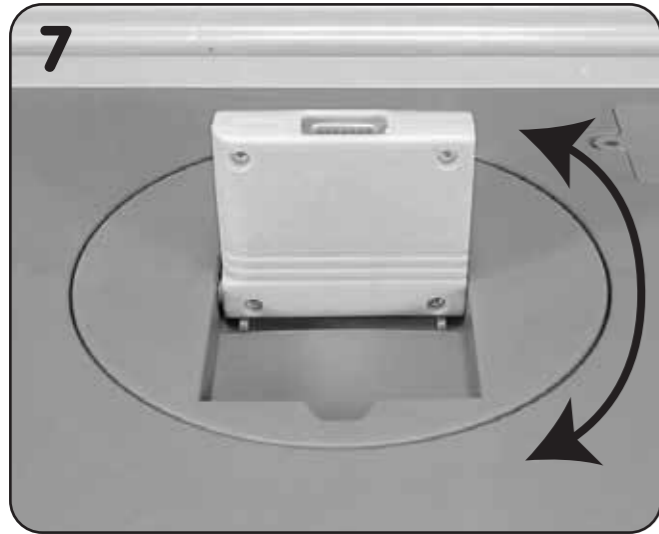
NOTE: This equipment has been tested and found to comply with the limits for a Class B digital device, pursuant to Part 15 of the FCC Rules. These limits are designed to provide reasonable protection against harmful interference in a residential installation. This equipment generates, uses and can radiate radio frequency energy and, if not installed and used in accordance with the instructions, may cause harmful interference to radio communications. However, there is no guarantee that interference will not occur in a particular installation. If this equipment does cause harmful interference to radio or television reception, which can be determined by turning the equipment off and on, the user is encouraged to try to correct the interference by one or more of the following measures:

- Reorient or relocate the receiving antenna.
 - Increase the separation between the equipment and receiver.
 - Connect the equipment into an outlet on a circuit different from that to which the receiver is connected.
 - Consult the dealer or an experienced radio/TV technician for help.
- This device complies with Industry Canada license-exempt RSS standard(s). Operation is subject to the following two conditions: (1) This device may not cause harmful interference, and (2) this device must accept any interference received, including interference that may cause undesired operation. Caution: Modifications not authorized by the manufacturer may void users authority to operate this device. CAN ICES-3 (B)/NMB-3(B).

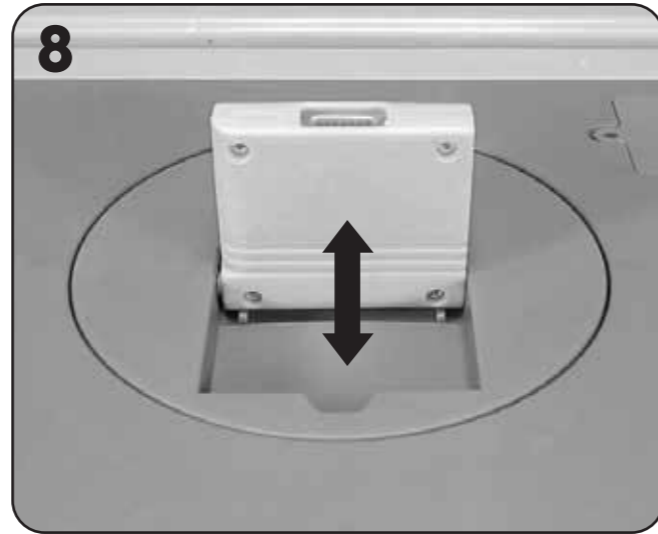
- 'Let's care for the environment!' The wheelie bin symbol indicates that the product must not be disposed of with other household waste. Please use designated collection points or recycling facilities when disposing of the item.
- Do not treat old batteries as household waste. Take them to a designated recycling facility.



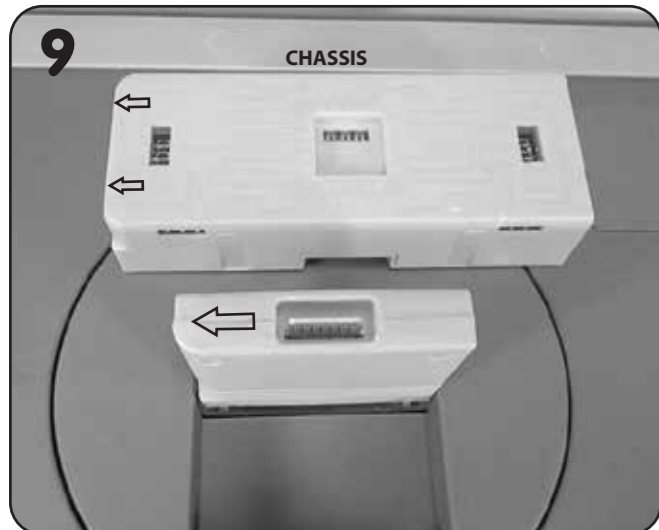
USAGE AND FEATURES CONTINUED



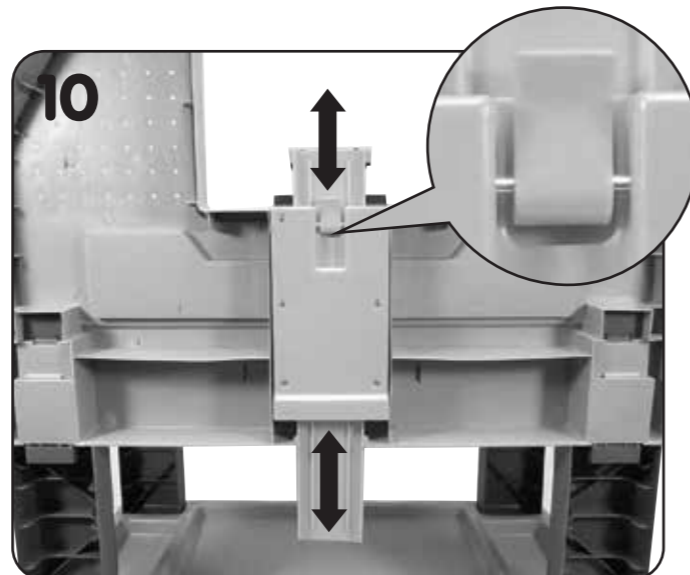
The center of the work surface rotates to help you easily install vehicle parts.



The chassis holder can be folded down to create a flat work surface.



Use the included blueprints to build your vehicle. The chassis will always be the base of each vehicle. The arrows on the chassis and the chassis holder should face the left. Vehicle parts are interchangeable and can be assembled with most of the included tools.



Insert your mobile device and slide the support bracket up and down so that it fits securely to the top of the device. Flip the locking clip upwards to secure.

11

See the enclosed Parent Guide & Instructions for Workbench usage.

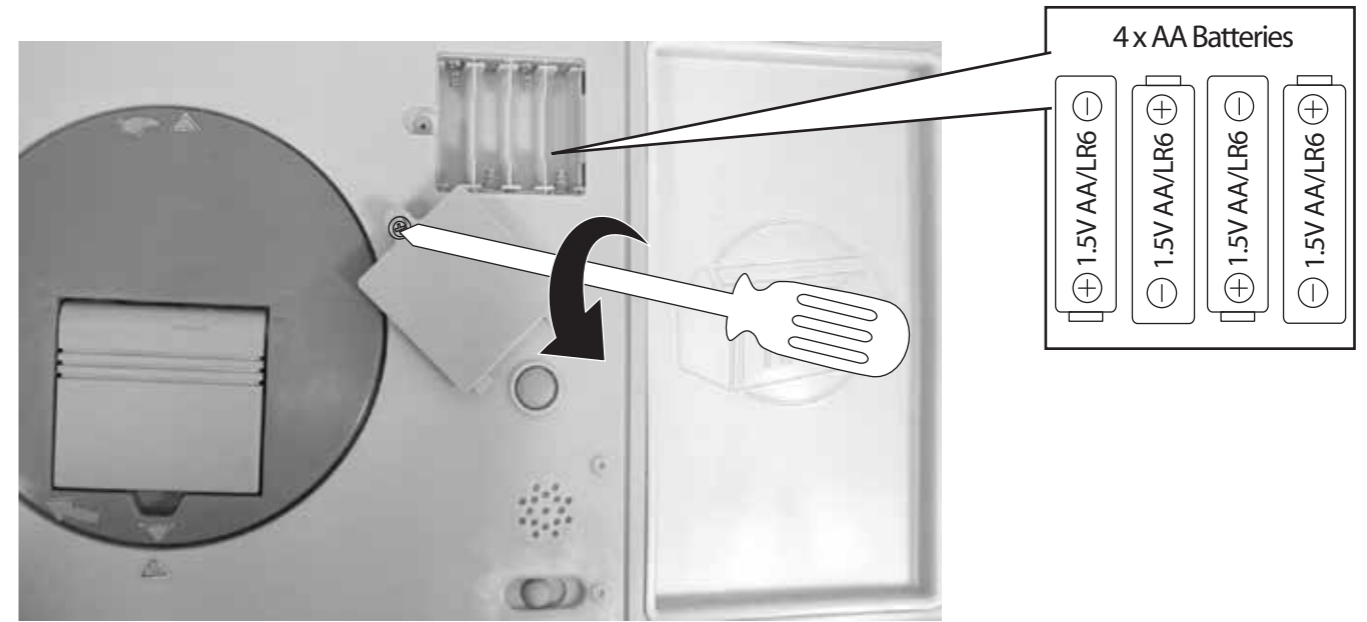
BATTERY INSTALLATION

Tabletop

An adult must install fresh alkaline batteries (not included) in the Workbench prior to playing. Here's how:

1. Using a Phillips screwdriver (not included) remove the screw and battery compartment cover from the top of the work surface.
2. Install four (4) 1.5V AA (LR6) alkaline batteries (not included) making sure the (+) and (-) ends face the proper direction as indicated inside the battery compartment.
3. Replace the compartment cover and tighten the screw.

NOTE: The included toy screwdrivers will not open or close the battery compartment.

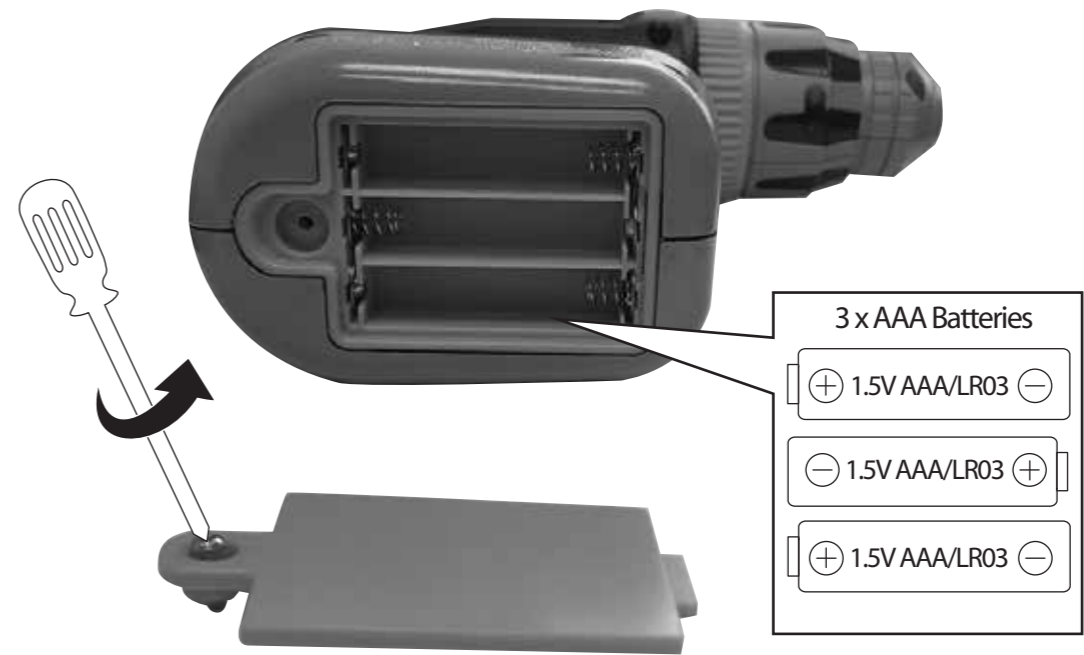


Drill

An adult must install fresh alkaline batteries (not included) in the drill prior to playing. Here's how:

1. Using a Phillips screwdriver (not included) remove the screw and battery compartment cover from under the drill.
2. Install three (3) 1.5V AAA (LR03) alkaline batteries (not included) making sure the (+) and (-) ends face the proper direction as indicated inside the battery compartment.
3. Replace the compartment cover and tighten the screw.

NOTE: The included toy screwdrivers will not open or close the battery compartment.

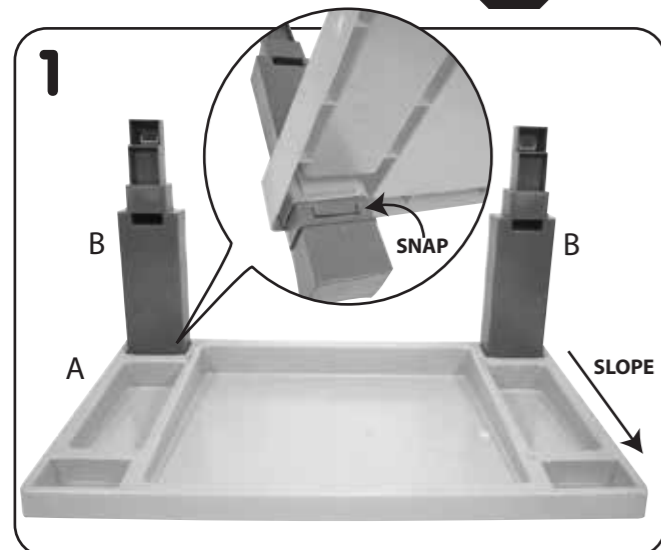


ASSEMBLY

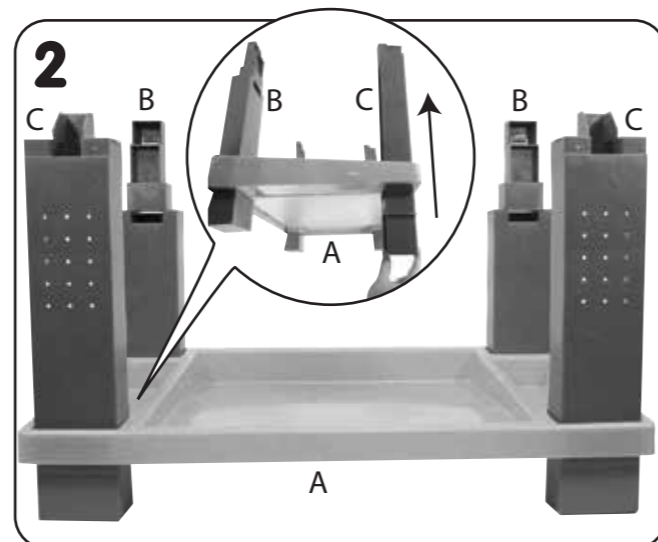
ADULT ASSEMBLY REQUIRED



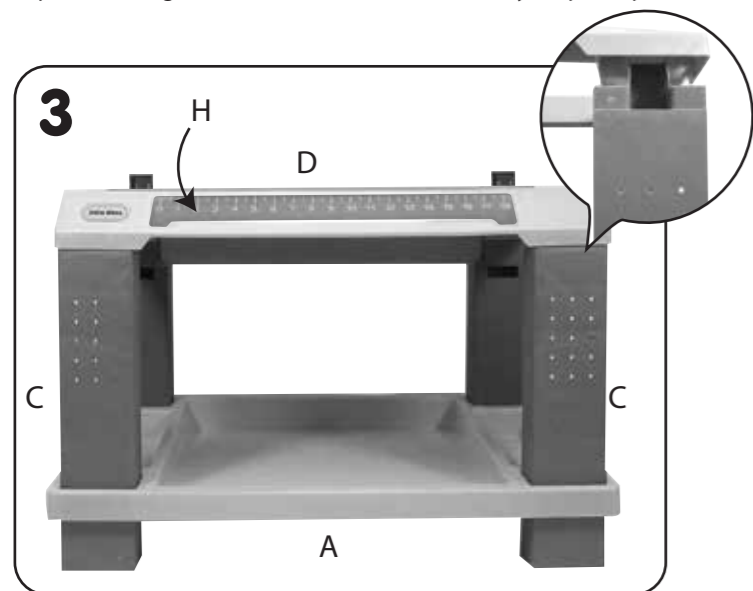
Please follow instructions carefully.
Once assembled, some parts may not be removed.



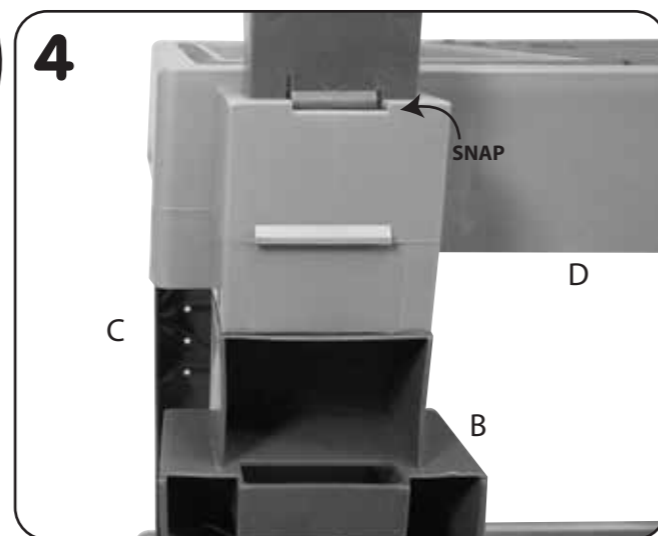
Position the base so that it slopes forward. Slide the back legs (B) upward through the back of the base (A) until they snap into place.



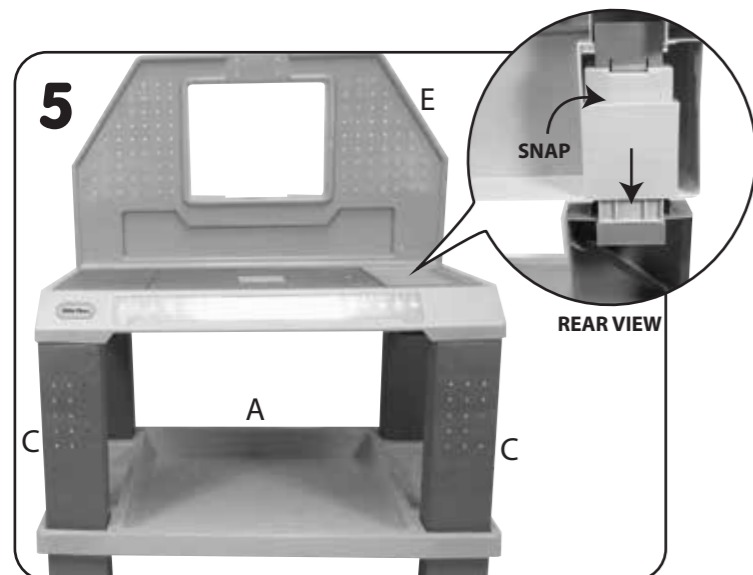
Slide the front legs (C) upward through the front of the base (A) until they snap into place.



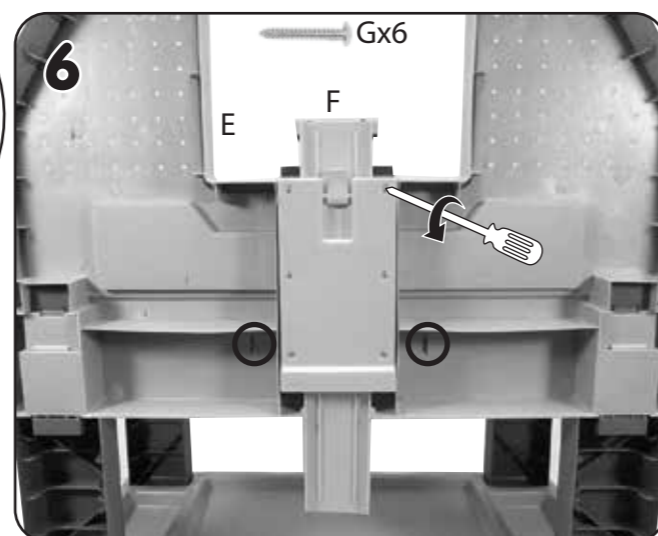
Snap the front of the work surface (D) onto the front legs (C). Place the ruler sticker (H) on the front of the work surface (D).



Once the front of the work surface (D) is assembled, slide it over the posts on the back legs (B) until they snap into place.

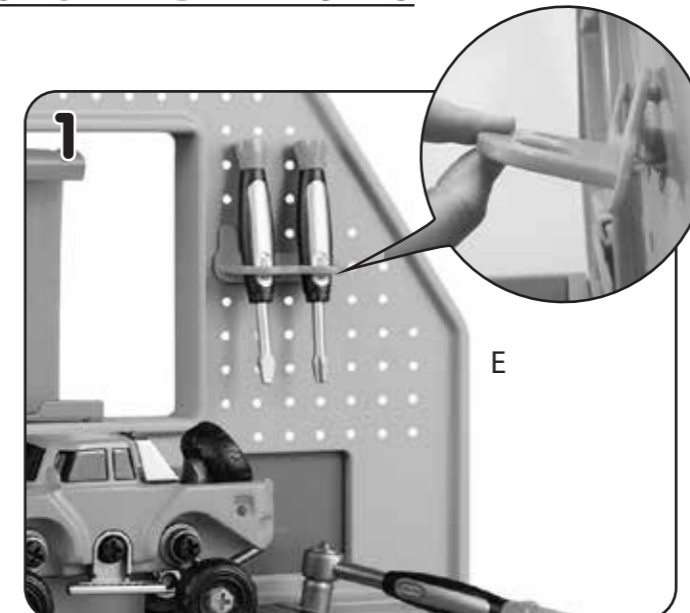


Align the posts on the bottom of the backboard (E) with the openings on the back legs (B). Then, press the backboard down to snap it in place.



Snap the backboard (E) into the work surface (D). Then, attach the device holder (F) to the backboard (E) with six screws (G).

USAGE AND FEATURES



Attach the hooks onto the front legs (C) and the backboard (E) to store your tools. Insert the curved end of the hook first. Then, press the straight peg down to secure the hooks.



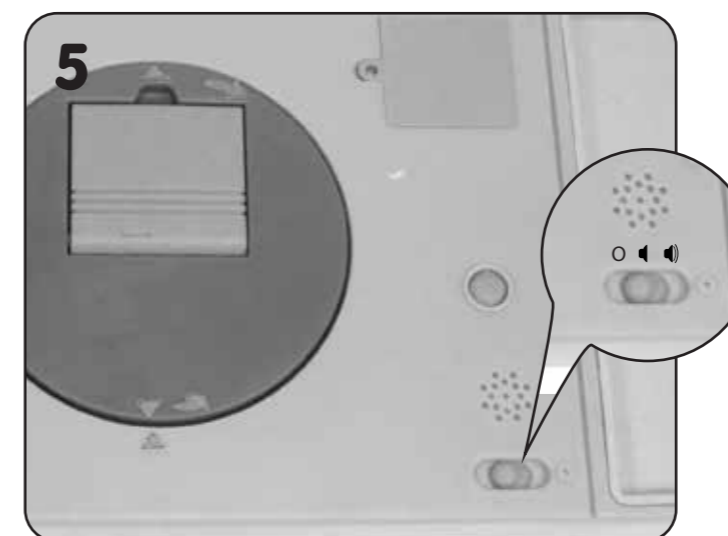
Attach two hooks to the top of the backboard to hang the blueprints. Arrange the blueprints so that they follow the correct assembly order.



Move the switch on the drill up or down to choose the spinning direction of the bit. Then, press the trigger button to make the drill bit spin!



Change the drill bits by gently pulling one bit out of the drill and pushing another into the drill until it clicks into place.



Move the switch on the work surface to low or high volume.

O = Off
◀ = Low Volume
▶ = High Volume



Place the RFID chipped tools onto the right side of the work surface (F) in the "tool tray" to hear tool sounds.