

LTX TREME

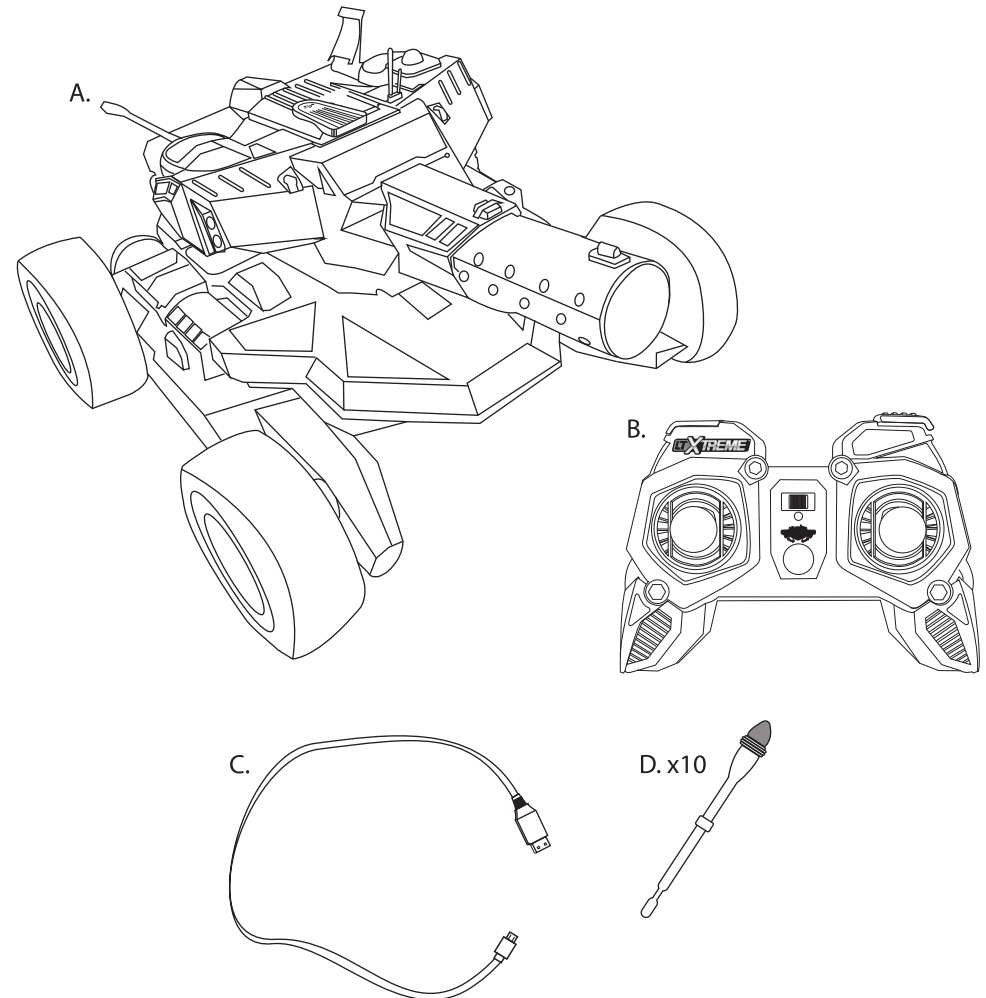
LAND SEA RC™

SKU: 644955

AGES 8+ YEARS
ADULT SUPERVISION REQUIRED
ADULT BATTERY INSTALLATION REQUIRED

CONTENTS

A. 1 Land Sea RC™ B. 1 Remote Control C. 1 USB Charging Cable D. 10 Missiles



'Let's care for the environment!'

The wheelie bin symbol indicates that the product must not be disposed of with other household waste. Please use designated collection points or recycling facilities when disposing of the item. Do not treat old batteries as household waste. Take them to a designated recycling facility.

Please keep this manual as it contains important information.



© The Little Tikes Company,
an MGA Entertainment company.
LTX TREME™ and LTX TREME LAND SEA RC™ are trademarks of
Little Tikes in the U.S. and other countries. All logos, names,
characters, likenesses, images, slogans, and packaging
appearance are the property of Little Tikes.
Little Tikes Consumer Service
2180 Barlow Road Hudson, Ohio 44236 U.S.A.
1-800-321-0183
Printed in China

MGA Entertainment UK Ltd
50 Presley Way
Crownhill
Milton Keynes
MK8 0ES
Bucks, UK
0800 521 558

www.littletikes.com
www.littletikes.co.uk



Visit our website at
www.littletikes.com
to register your product and
to enter our sweepstakes.
(No purchase necessary)

Illustrations are for reference only. Styles may vary from actual contents.

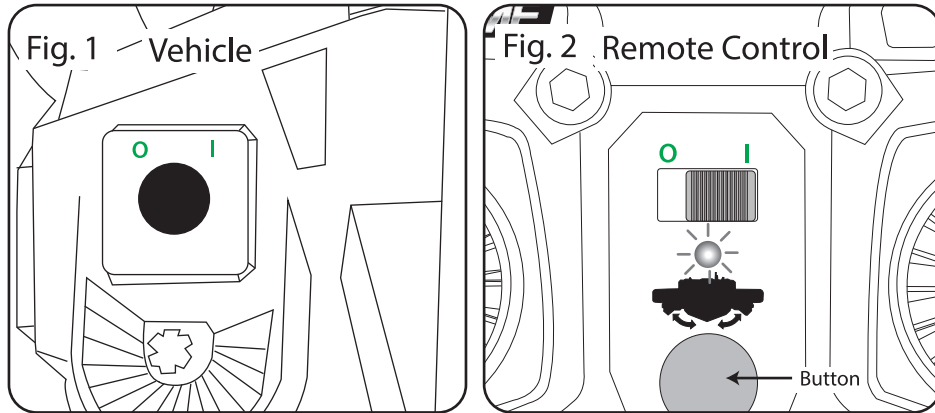
QUICK START

Before beginning, cover the play area to prevent possible water damage.

TURNING ON THE LAND SEA RC™

1. Push the **O / I** button located on top of the vehicle once (Fig.1). The green lights on the back of the vehicle will flash.
2. Take out the insulation tag from the battery compartment cover of the remote control.
3. Turn the switch on the remote control to the "**I**" position (Fig. 2). The light bulb below the **O / I** will turn on.
4. Once the remote control is on (**I**), the lights on vehicle will stop flashing.

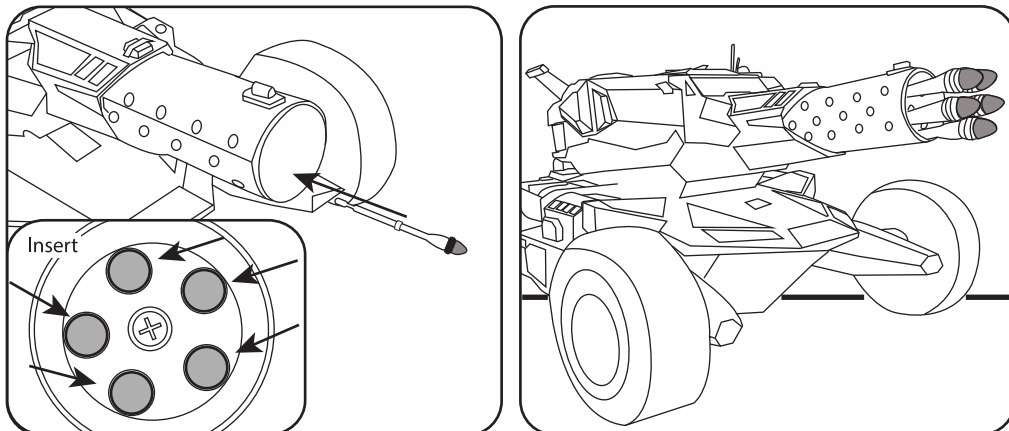
Note: The green lights will turn off when LiPo battery is low. Allow the LiPo battery inside the vehicle to cool off for 10 minutes and follow the instructions on page 5 to recharge the vehicle.



The middle button on the remote control can be pressed to lower the pontoons.
Place the vehicle in water for the transformation.

DRIVING ON LAND

1. Turn on the vehicle and remote control as shown above.
2. Insert five missiles by sticking them into each slot. You will feel a click when they are in place.
3. Place the vehicle on a flat surface and follow the remote control diagram on page 4 to maneuver the vehicle and fire the missiles.



⚠ WARNING:

- Always supervise when children are playing around water.
- Do not allow children to play in water that is near an electrical source or apparatus in order to avoid electric shock and/or electrocution.
- Do not leave Land Sea RC™ near an electrical source or apparatus when wet.
- Do not use the Land Sea RC™ as a flotation device.
- Do not allow long hair or loose apparel, such as shoestrings, near the turning wheels or the pontoons of the vehicle.

IMPORTANT INFORMATION

- Before each use, examine the Land Sea RC™ for damage. Never operate this product if it has damaged parts.
- Avoid leaving vehicle in extremely hot or extremely cold water.
- Only place Land Sea RC™ in clean, clear water.
- Avoid keeping vehicle in bath, salt or chlorinated pool water as discoloration or bleaching may occur.
- After play, drain excess water from the vehicle and wipe clean with a damp cloth.
- Allow it to air dry thoroughly and bring indoors. Prolonged exposure to sunlight may cause damage.
- Don't immerse Land Sea RC™ and the remote control in water.
- Do not play with vehicle in the street or where there is vehicular traffic or in heavily traveled areas with pedestrians.
- Do not stand on, sit or throw vehicle, as doing so can result in injury to the person and irreversible damage to the unit.
- Do not run vehicle into furniture, walls, pets, etc., as doing so may cause injury to the people and pets and irreparable damage to the unit.
- Do not launch the missiles at people, pets, or their eyes.
- Do not drive the vehicle through mud.
- A fully charged vehicle will operate for 25 minutes of non-stop playing.
- When not playing, turn the vehicle and remote control off to conserve battery power.
- The frequency band range is 2412 MHz – 2468 MHz.
- The maximum radio-frequency power is 89.27dBm.

LIMITED WARRANTY

The Little Tikes Company makes fun, high quality toys. We warrant to the original purchaser that this product is free of defects in materials or workmanship for one year * from the date of purchase (dated sales receipt is required for proof of purchase). At the sole election of The Little Tikes Company, the only remedies available under this warranty will be the replacement of the defective part or replacement of the product. This warranty is valid only if the product has been assembled and maintained per the instructions. This warranty does not cover abuse, accident, cosmetic issues such as fading or scratches from normal wear, or any other cause not arising from defects in material and workmanship. *The warranty period is three (3) months for daycare or commercial purchasers. U.S.A and Canada: For warranty service or replacement part information, please visit our website at www.littletikes.com, call 1-800-321-0183 or write to: Consumer Service, The Little Tikes Company, 2180 Barlow Road, Hudson OH 44236, U.S.A. Some replacement parts may be available for purchase after warranty expires—contact us for details. Outside U.S.A and Canada: Contact place of purchase for warranty service. This warranty gives you specific legal rights, and you may also have other rights, which vary from country/state to country/state. Some countries/states do not allow the exclusion or limitation of incidental or consequential damages, so the above limitation or exclusion may not apply to you.

LiPo BATTERY INFORMATION

This vehicle is equipped with a LiPo rechargeable battery. Please pay attention to the following cautions for safety use:

- Before recharging, allow the LiPo battery in the vehicle to cool for at least 10 minutes after use.
- Do not dispose of the battery in fire or extreme heat.
- Do not use or leave the battery near a heat source such as a fire or a heater.
- Do not strike or throw the battery against hard surfaces.
- Do not immerse the battery in water, and keep the battery in a cool, dry place.
- When recharging, only use the battery charger specifically included for that purpose.
- Do not over-charge the battery.
- Do not connect the battery to an electrical outlet.
- Do not directly solder the battery and pierce the battery with a nail or other sharp object.
- Do not disassemble or alter the battery.
- Charge the battery every 6 months and as necessary.
- Do not transport or store the battery with metal objects such as necklaces, hairpins, etc.
- Please recycle a used battery after covering the battery terminals with insulation tape or inserting it into an individual poly bag.
- Battery inside the vehicle is not replaceable.

Note:

- Under the environment with electrostatic discharge, the product may malfunction and require the user to reset the product.
- This product must only be used with the recommended charger.

BATTERY SAFETY INFORMATION

- Use only size "AA" (LR6) alkaline batteries (2 required).
- Charging of rechargeable batteries should only be done under adult supervision.
- Remove rechargeable batteries from the product before recharging.
- Do not mix old and new batteries.
- Do not mix alkaline, standard (carbon-zinc), or rechargeable batteries.
- Be sure to insert the batteries correctly and follow the toy and battery manufacturer's instruction.
- Always remove exhausted or dead batteries from the product.
- Dispose of dead batteries properly: do not burn or bury them.
- Do not attempt to recharge non-rechargeable batteries.
- Avoid short-circuiting battery terminals.
- Remove batteries before placing the unit into storage for a prolonged period of time.

FCC COMPLIANCE

NOTE: This equipment has been tested and found to comply with the limits for a Class B digital device, pursuant to Part 15 of the FCC Rules. These limits are designed to provide reasonable protection against harmful interference in a residential installation. This equipment generates, uses and can radiate radio frequency energy and, if not installed and used in accordance with the instructions, may cause harmful interference to radio communications. However, there is no guarantee that interference will not occur in a particular installation. If this equipment does cause harmful interference to radio or television reception, which can be determined by turning the equipment off and on, the user is encouraged to try to correct the interference by one or more of the following measures:

- Reorient or relocate the receiving antenna.
- Increase the separation between the equipment and receiver.
- Connect the equipment into an outlet on a circuit different from that to which the receiver is connected.
- Consult the dealer or an experienced radio/TV technician for help.

This device complies with Part 15 of the FCC Rules. Operation is subject to the following two conditions: (1) This device may not cause harmful interference, and (2) this device must accept any interference received, including interference that may cause undesired operation.

Caution: Modifications not authorized by the manufacturer may void users authority to operate this device.

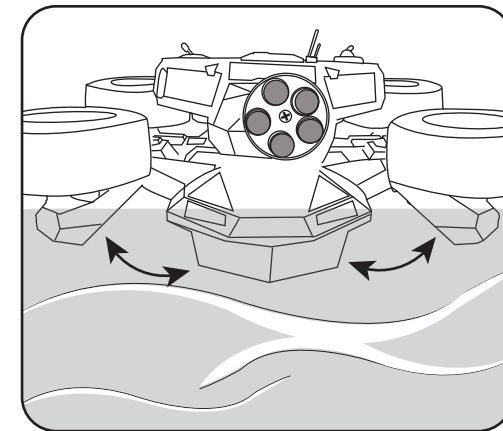
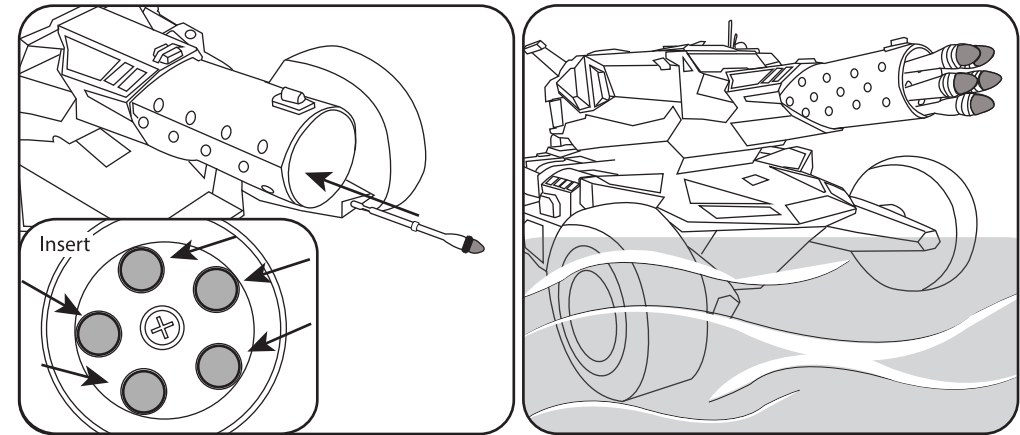
This device complies with Industry Canada's license-exempt RSS-210. Operation is subject to the following two conditions:

(1) This device may not cause interference, and (2) This device must accept any interference, including interference that may cause undesired operation of the device.

CAN ICES-3 (B)/NMB-3(B).

DRIVING ON WATER

1. Turn on the vehicle and remote control as shown on page 2.
2. Insert five missiles by sticking them into each slot. You will feel a click when they are in place.
3. Place in clean water and follow the diagram on page 4 to raise the pontoons, maneuver and fire the missiles.



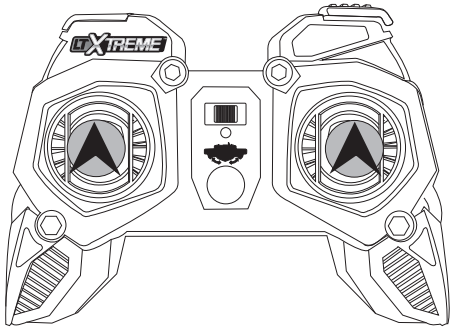
The vehicle needs to float on the water correctly for the transformation.

TROUBLESHOOTING

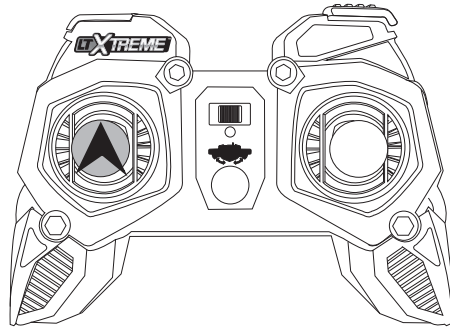
If the vehicle does not respond:

- Check that the vehicle and remote control are both turned on.
- The batteries in the remote control may need to be replaced or the battery in the vehicle may need to be recharged.

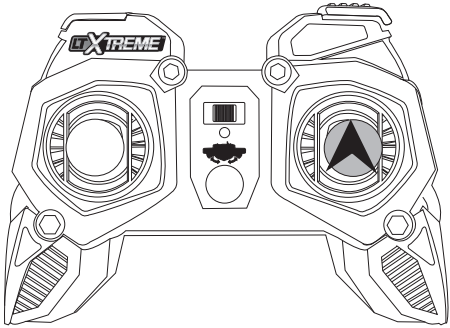
REMOTE CONTROL DIAGRAM



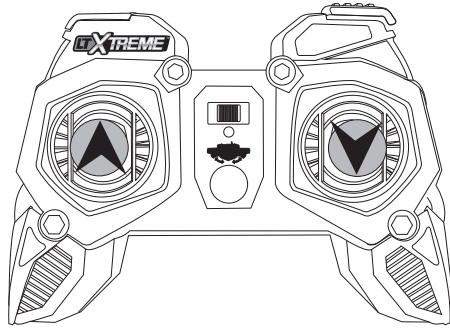
Push both joysticks up to make the vehicle move forward. (Push them down and it will reverse.)



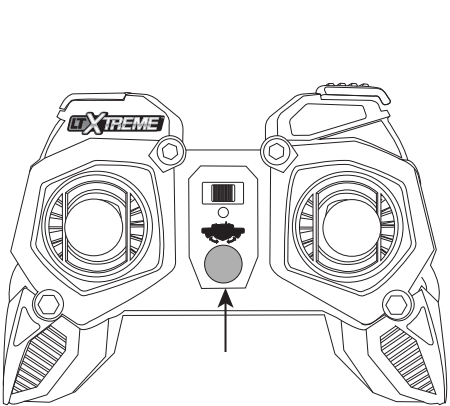
Push the left joystick up and the vehicle will turn right. (Push down and it will reverse to the right.)



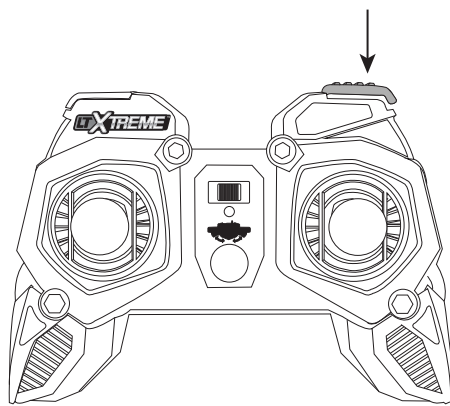
Push the right joystick up and the vehicle will turn left. (Push down and it will reverse to the left.)



Push as shown and the vehicle will spin. (Press it the opposite way and it will spin in the opposite direction.)



Press the button in the middle to raise the pontoons. Push it again while still in water to return the pontoons back in position.

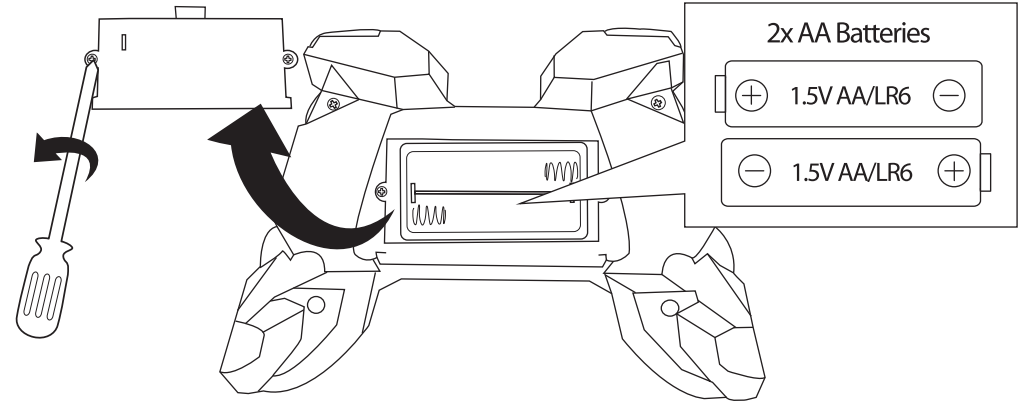


Press the top button on the right to shoot the missiles.

REPLACING THE BATTERIES

An adult must install fresh alkaline batteries in your remote control should the batteries need replacing. Here's how:

1. Using a Phillips screwdriver (not included), remove the screws and battery compartment cover located on the back of the remote control.
2. Install two (2) fresh 1.5V AA (LR6) alkaline batteries (not included) making sure the (+) and (-) ends face the proper direction as indicated inside the battery compartment.
3. Replace the compartment cover and tighten the screws.



RECHARGING THE LAND SEA RC™

Note: Before recharging, allow the LiPo battery in the vehicle to cool for at least 10 minutes after use.

1. Open the flap located on top of the Land Sea RC™.
2. Insert the charging cable into the charging port. The red light on top will flash to indicate it is charging, completed charge red light will not flash.
3. Allow it to charge for 5-6 hours.
4. Unplug the charging cable and close the flap.

