

Title :

Information Document

Date : October 08, 2007

0. GENERAL

0.1. Make

Shinchang Electrics Co.,Ltd.

0.2. Model No.

- Transmitter : SEKS-KM08Tx

- Receiver : SEKS-KM08Rx

0.3. Name and address of manufacturer

Shinchang Electrics Co.,Ltd.

734-2, Wonshi-Dong, Ansan-Si, Kyonggi-Do, Korea.

0.4. Address of assembly plant

Shinchang Electrics Co.,Ltd.

734-2, Wonshi-Dong, Ansan-Si, Kyonggi-Do, Korea.

NOTE: THE MANUFACTURER IS NOT RESPONSIBLE FOR ANY RADIO OR TV INTERFERENCE CAUSED BY UNAUTHORIZED MODIFICATIONS TO THIS EQUIPMENT. SUCH MODIFICATIONS COULD VOID THE USER'S AUTHORITY TO OPERATE THE EQUIPMENT.

This device complies with Part 15 of the FCC Rules. Operation is subject to the following two conditions: (1) this device may not cause harmful interference, and (2) this device must accept any interference received, including interference that may cause undesired operations.

Title :
Information Document

NO. : SCE-0713

Date : 08. October. 2007

1. PRODUCT SPECIFICATION

1.1 Scope of Remote Keyless Entry in ETACS system.

1.1.1 Key part : Transmitter is inside of the remote key, and it sends the rolling code to the receiver by radio frequency.

1.1.2 Receiver : It receives the rolling code and decodes that, thereafter receiver drives the actuator.

1.2 Specification

1.2.1 Transmitter

Item	Specification
Rated supply voltage	DC 3V
Operating voltage range	DC 2.5 ~ 3.2V
Operating temperature range	-20 ~+60℃
Storage temperature range	-30 ~ 80℃
Modulation	FM
Frequency	315MHz
Code	Rolling Code(Hopping Algorithm)
Electric field strength	0.01mW
Battery life	2 Year(Lithium 3V 1EA)

1.2.2 Receiver

Item	Specification
Rated Supply Voltage	DC 12V
Operating Voltage	DC 9 ~ 16V
Operating Temperature	- 30 ~ + 80℃
Max Humidity	95%
Standby Current	Below than 6mA (in alarm setting condition)

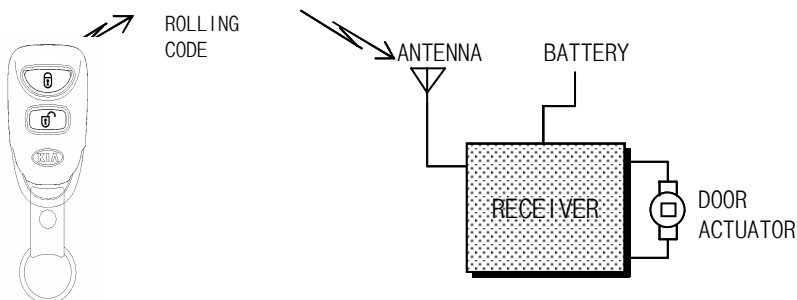
2. USER MANUAL

2.1 Name : ETACS system

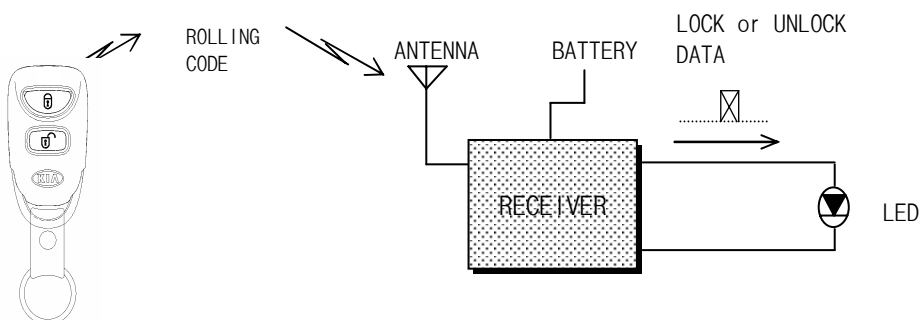
- This system is ETACS and includes RKE.
- RKE in ETACS system is intended for auto door lock or unlock in vehicle.
- This ETACS system is to be installed on motor vehicles as *OE item.
 - * OE : Original Equipment.
 - * ETACS : Electronic Time & Alarm Control System.
 - * RKE : Remote Keyless Entry.

2.2 System construction

2.2.1 System in vehicle



2.2.1 System for test



* Through the use of lamp, operating state is displayed by lamp.
lamp 'ON' means that actuator is operated by door lock or unlock output signal.

Title :

Information Document

NO. : SCE-0713

Date : 08. October. 2007

2.3 Operating summary

- ① Transmitter's button is pushed.
- ② Transmitter sends the code by radio frequency.
- ③ Receiver gets the code and decodes it.
- ④ Receiver judges the code whether it is right code or not.
- ⑤ Receiver checks door lock or unlock state.
- ⑥ Receiver drives the actuator.
- ⑦ Receiver drives the horn

2.3.1 Lock & Unlock

If transmitter's button is pushed,
Transmitter sends the code.

2.4 Caution

- ① Danger of explosion if battery is incorrectly replaced.
- ② Replace only with the same or equivalent type recommended by the manufacturer.
- ③ Dispose of used batteries according to the manufacturer's instructions.