

INFORMATION DOCUMENT NO. SCE-0004

RELATING TO FCC TYPE-APPROVAL
AS SEPARATE TECHNICAL UNIT
OF VEHICLE RF REMOTE KEYLESS ENTRY

CONTENTS LIST

Information Document	(5 sheets: including this sheet)
Attachment 1 - System diagram	(1 sheet)
Attachment 2 - Drawing of the transmitter	(3 sheets)
Attachment 3 - Drawing of the receiver	(4 sheets)

NOTE: THE MANUFACTURER IS NOT RESPONSIBLE FOR ANY RADIO OR TV INTERFERENCE CAUSED BY UNAUTHORIZED MODIFICATIONS TO THIS EQUIPMENT. SUCH MODIFICATIONS COULD VOID THE USER'S AUTHORITY TO OPERATE THE EQUIPMENT.

<p>Title : Information Document</p>	<p>NO. : SCE-0004</p>
<p>Date : July, 26, 2000</p>	
<p>1. <u>GENERAL</u></p> <p>1.1. <u>Make</u></p> <p>SHINCHANG ELECTRICS Co., Ltd.</p> <p>1.2. <u>Name and address of manufacturer</u></p> <p>SHINCHANG ELECTRICS CO., LTD.</p> <p>734-2, Wonshi-dong, Ansan-si, Gyungki-do, Korea.</p> <p>1.3. <u>Model NO.</u></p> <p>REMOTE KEYLESS ENTRY SYSTEM FOR VEHICLE</p> <p>- TRANSMITTER : SKS-002TX</p> <p>- RECEIVER : SKS-002RX</p> <p>1.4. <u>Address of assembly plant</u></p> <p>SHINCHANG ELECTRICS CO., LTD.</p> <p>734-2, Wonshi-dong, Ansan-si, Gyungki-do, Korea.</p>	

Title :

Information Document

NO. : SCE-0004

Date : July 26, 2000

2. PRODUCT SPECIFICATION

2.1 SCOPE

2.1.1 KEY PART : TRANSMITTER is inside of the FOLDING KEY, and it sends the ROLLING CODE to the RECEIVER by Radio Frequency.

2.1.2 RECEIVER : It receives the ROLLING CODE and decodes that, and sends the DATA to ETACS*.

*ETACS : Electronic Time & Alarm Control System.

2.2 SPECIFICATIONS

2.2.1 TRANSMITTER

ITEM	SPECIFICATION
RATED SUPPLY VOLTAGE	DC 3V
OPERATING VOLTAGE RANGE	DC 2.5 - 3.2V
OPERATING TEMPERATURE RANGE	-20 ~+60℃
STORAGE TEMPERATURE RANGE	-30 ~ 85℃
Modulation	AM
Frequency	315.00MHz
Code	Rolling Code(Hopping Algorithm)
Electric field strength	199 ~ 500 μ V/m (315.00MHz)
SPURIOUS RADIATION	-43dBm (MAX)
BATTERY LIFE	2 YEAR(Lithium 3V 1EA)

2.2.2 RECEIVER

ITEM	SPECIFICATION
Rated Supply Voltage	DC 12V
Operating Voltage	DC 9 ~ 16V
Operating Temperature	- 30 ~ + 80℃
Storage Temperature	- 40 ~ + 85℃
StandBy Current	3.0mA (max)
Sensitibility	Min -98dBm

Title :

Information Document

NO. : SCE-0004

Date : July 26, 2000

2. PRODUCT SPECIFICATION

2.1 SCOPE

2.1.1 KEY PART : TRANSMITTER is inside of the FOLDING KEY, and it sends the ROLLING CODE to the RECEIVER by Radio Frequency.

2.1.2 RECEIVER : It receives the ROLLING CODE and decodes that, and sends the DATA to ETACS*.

*ETACS : Electronic Time & Alarm Control System.

2.2 SPECIFICATIONS

2.2.1 TRANSMITTER

ITEM	SPECIFICATION
RATED SUPPLY VOLTAGE	DC 3V
OPERATING VOLTAGE RANGE	DC 2.5 - 3.2V
OPERATING TEMPERATURE RANGE	-20 ~+60℃
STORAGE TEMPERATURE RANGE	-30 ~ 85℃
Modulation	AM
Frequency	315.00MHz
Code	Rolling Code(Hopping Algorithm)
Electric field strength	199 ~ 500 μ V/m (315.00MHz)
SPURIOUS RADIATION	-43dBm (MAX)
BATTERY LIFE	2 YEAR(Lithium 3V 1EA)

2.2.2 RECEIVER

ITEM	SPECIFICATION
Rated Supply Voltage	DC 12V
Operating Voltage	DC 9 ~ 16V
Operating Temperature	- 30 ~ + 80℃
Storage Temperature	- 40 ~ + 85℃
StandBy Current	3.0mA (max)
Sensitibility	Min -98dBm

Title :

Information Document

NO. : SCE-0004

Date : July, 26, 2000

3. USER MANUAL

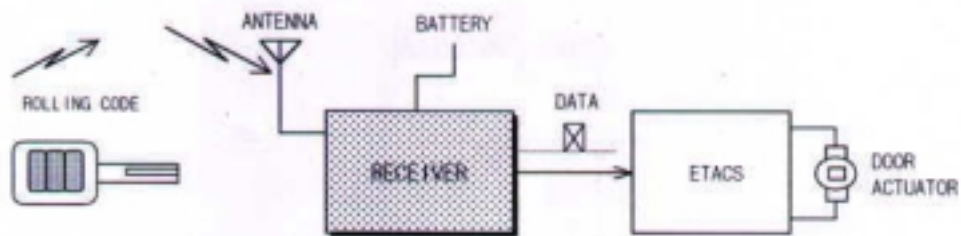
3.1 NAME : REMOTE KEYLESS ENTRY SYSTEM

This RKE System is to be installed on motor vehicles as OE(= original equipment) item.

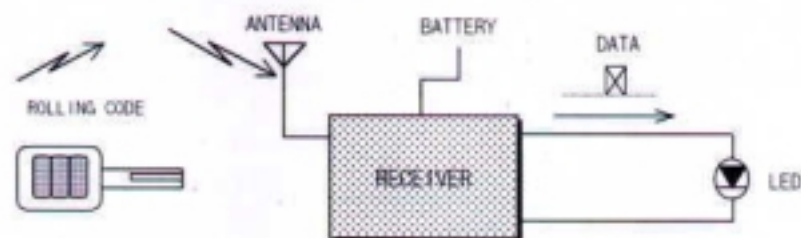
It is intended for auto-locking/unlocking of the door

3.2 SYSTEMS CONSTRUCTION

SYSTEM IN VEHICLE



SYSTEM FOR TEST



* Through the use of LED, operating state is displayed by LED.
LED 'ON' means that DATA is sent to the ETACS.

Title : <p style="text-align: center;">Information Document</p>	NO. : SCE-0004
	Date : July. 26. 2000

3.3 OPERATING SUMMARY

- ① By the driver of the vehicle, TRANSMITTER's button is pushed
- ② TRANSMITTER sends appropriate CODE by RF frequency.
- ③ RECEIVER gets the code and decodes it.
- ④ When Rx proves it to be the right code, Rx sends DATA(instruction) to the ETACS.
- ⑤ ETACS receive it, and drive the actuator.

The system has the function as follows.

* Whenever DATA is sent to ETACS, LED is turned 'ON'.

3.3.1 LOCK & UNLOCK

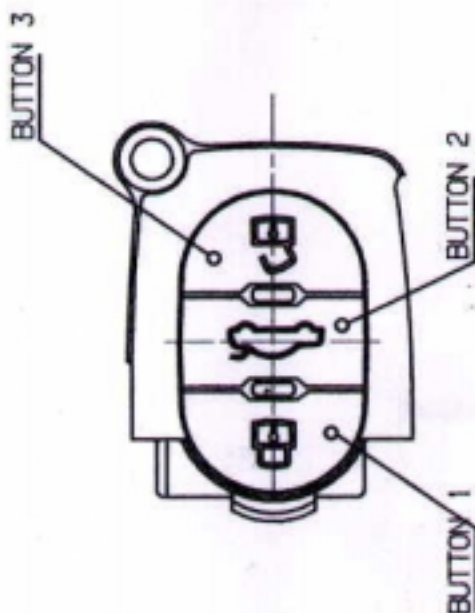

If LOCK or UNLOCK button is pushed for less than 1 sec, then TRANSMITTER sends the LOCK or UNLOCK DATA.

3.3.2 TRUNK OPEN

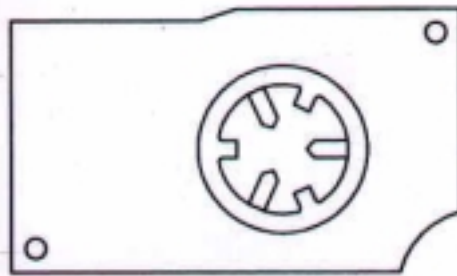
If TRUNK button is pushed for more than 0.5 sec, then TRANSMITTER sends the 'TRUNK OPEN' DATA

3.3.3 POWER WINDOW DOWN

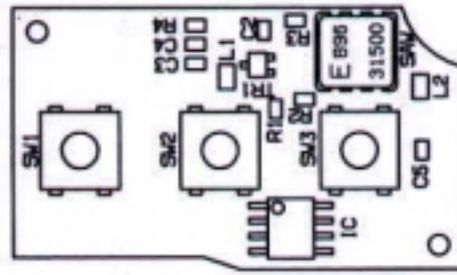
If Unlock button has been pushed for 1.5 - 2.0 sec, then previously TRANSMITTER sends the 'UNLOCK' DATA and then send the signal of 'POWER WINDOW DOWN' to ETACS

NO.	PART NAME	QTY	REMARKS								
											
											
	<table border="1" style="margin-left: auto; margin-right: auto;"> <tr> <td style="width: 30%; text-align: center;">FUNCTION</td> <td></td> </tr> <tr> <td style="text-align: center;">BUTTON 1</td> <td style="text-align: center;">DR LOCK</td> </tr> <tr> <td style="text-align: center;">BUTTON 2</td> <td style="text-align: center;">TRUNK OPEN</td> </tr> <tr> <td style="text-align: center;">BUTTON 3</td> <td style="text-align: center;">DR UNLOCK</td> </tr> </table>	FUNCTION		BUTTON 1	DR LOCK	BUTTON 2	TRUNK OPEN	BUTTON 3	DR UNLOCK		
FUNCTION											
BUTTON 1	DR LOCK										
BUTTON 2	TRUNK OPEN										
BUTTON 3	DR UNLOCK										
	<table border="1" style="margin-right: 10px;"> <tr> <td style="width: 20%; text-align: center;">NAME</td> <td style="text-align: center;">TRANSMITTER</td> </tr> <tr> <td style="text-align: center;">TITLE</td> <td style="text-align: center;">EXTERIOR LAYOUT</td> </tr> <tr> <td style="text-align: center;">SCALE</td> <td style="text-align: center;">FREE</td> </tr> </table>	NAME	TRANSMITTER	TITLE	EXTERIOR LAYOUT	SCALE	FREE				
NAME	TRANSMITTER										
TITLE	EXTERIOR LAYOUT										
SCALE	FREE										

NO.	PART NAME	QTY	REMARKS
-----	-----------	-----	---------



BOTTOM SIDE



TOP SIDE

NAME	TRANSMITTER
TITLE	PCB LAYOUT
SCALE	FREE