



Bluetooth
Wireless Headset
MF300



2006 MOVON Corporation. All rights reserved.
MOVON and MOVON logo are registered trademarks of
MOVON Corporation and our Bluetooth products.
Bluetooth is a trademark owned by Bluetooth SIG, INC.
and is used by MOVON Corporation under license.

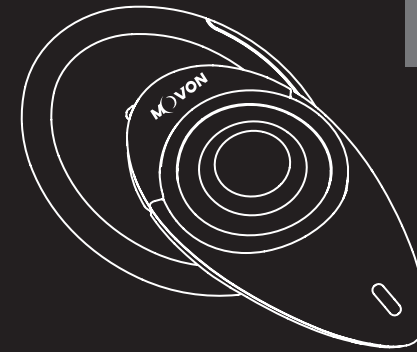
www.movon.co.kr

* Specifications and features are subject to change without notice. 06-09-mv-MF300



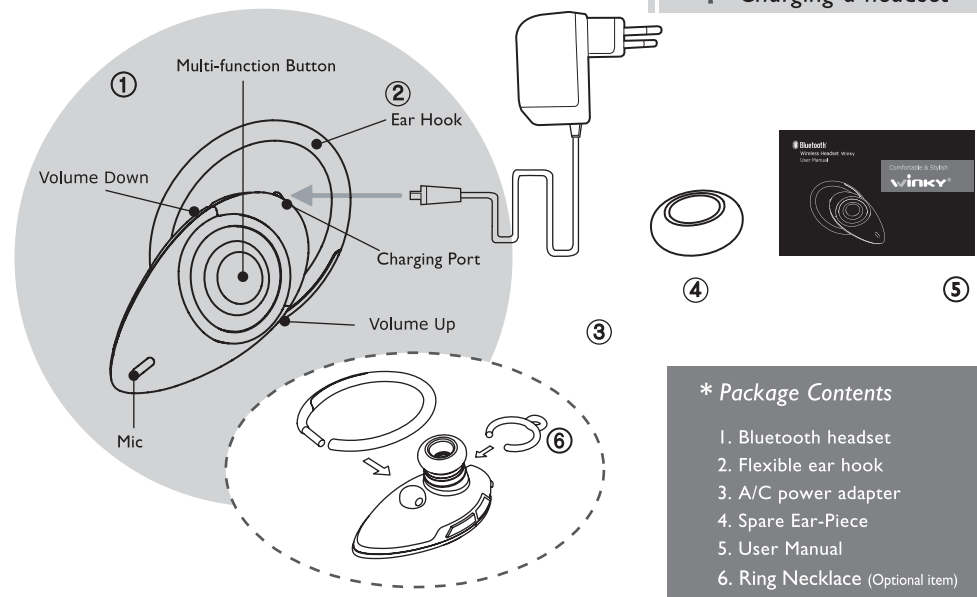
Wireless Headset Winky
User Manual

Small & Clever
MF300



English

* Charging a headset

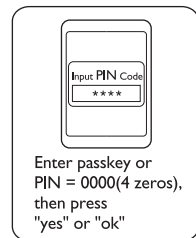
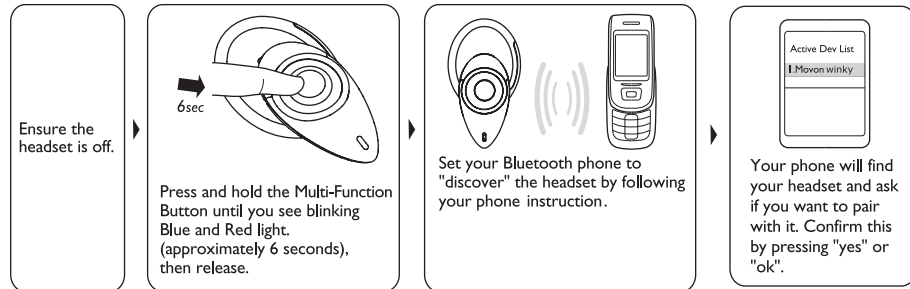


* Package Contents

1. Bluetooth headset
2. Flexible ear hook
3. A/C power adapter
4. Spare Ear-Piece
5. User Manual
6. Ring Necklace (Optional item)

* "Pair" to your Bluetooth phone

Before you use your headset for the first time, ensure that it must be paired to use with Bluetooth enabled devices such as Bluetooth mobile phone.



* Auto connection

Once you pair the headset with a device, the Headset will be automatically connected to the device whenever you turn the Headset on.

IMPORTANT!

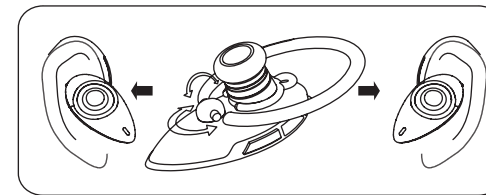
When the headset is paired with a mobile phone, the indication light will flash two times every 5 seconds. If failed, the blue indicator light will flash one time every 5 seconds.

* OPERATION *

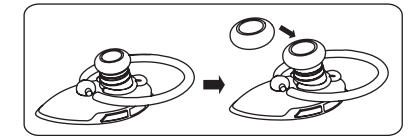
1 Turning headset on/off

	How to act	Tones	Indicators
Turning headset on	Press and hold the Multi-function Button for 4 seconds until you see a Blue indicator flashing, then release it.	Turn-On melody	The Blue indicator will flash while the power is on.
Turning off headset	Press and hold the Multi-function Button for 4 seconds until you see a Red indicator flashing, then release it.	Turn-Off melody	After Red indicator flashes, it will be turned off.

2 Wearing Your Headset



* | Extra ear-piece could be layered on the basic ear-piece of the headset for more comfortable wearing.



3 Making a call

* Using phone's keypad

- Dial number on keypad. - Press phone's "send" key
- Press Multi-function Button for 2 seconds, then the call will be transferred to your headset

* Using voice-activated dialing

Please check if your mobile phone supports voice dialing function. If it does, please set up voice tags on your mobile phone.

- Press the Multi-function Button for 2 seconds Then release the button after you hear short beep sound.
- Then say the name of person whom you want to call.
- You can hear melody when call is made.

NOTE: Record voice tag from headset for better reception.

* Last number dialing

- Press the Multi-function Button briefly.
- You can hear the connection melody.

4 Ending a call

- Press the Multi-function Button briefly from the headset while you are on the line. You can also end a call from your mobile.

5 Reject an incoming call

- Press and hold the Multi-function Button for 2 seconds and release the button when you hear beep sound.

6 Answering a call

- Press the Multi-function Button briefly when you receive an incoming call.

7 Transferring a call

- 1) Headset to phone:
Press the Multi-function button for 2 seconds
- 2) Phone to headset:
Press the Multi-function Button for 2 seconds



8 Call-Waiting (3way calling) & Hold a Call

Before using 3 way calling with your headset, you must ensure that your phone supports the Hands-free Profile. And it is always assumed that the "call hold and/or multiparty" services are available in the network.

- Press and hold the volume-down(▼) button until you hear short beep 3 times (approximately 4 seconds), then you can accept waiting (incoming) call and end an active call.
- Press and hold the volume-up(▲) button until you hear short beep sound 3 times (approximately 4 seconds), then you can accept waiting (incoming) call and hold an active call.

9 Volume control & Mute function

- You can adjust the volume by pressing volume up(▲) and volume down(▼) button.
- Press and hold the volume-down (▼) button for 2 seconds, then the headset mic will be muted by being followed by the melody every 10 secs. Deactivate the mute function by pressing the volume up(▲) button or the volume down(▼) button.

10 Summary of button operation

English

BUTTON	ACTION	HEADSET STATUS		
		Standby (No Calls Active)	Incoming Call	I Call Active
Multi-function	Quick Press (1 Beep)	Last Number Redial	Answer Call	Close Call
	2 Seconds (2 Beeps)	Initiate Voice Dialling	Reject Call	Transfer Active Call to/from Phone
	4 Seconds (3 Beeps)	Turn Headset OFF	Turn Headset OFF	Turn Headset OFF
Volume UP	Quick Press (1 Beep)	Increase Volume	Increase Volume	Increase Volume
	2 Seconds (2 Beeps)	—	—	—
	4 Seconds (3 Beeps)	—	—	Hold/Resume Call
Volume DOWN	Quick Press (1 Beep)	Decrease Volume	Decrease Volume	Decrease Volume
	2 Seconds (2 Beeps)	—	—	Microphone Mute
	4 Seconds (3 Beeps)	—	—	Close Call

English

BUTTON	ACTION	HEADSET STATUS	
		I Call Active, I Incoming Call	I Call Active, I Call on Hold
Multi-function	Quick Press (1 Beep)	—	—
	2 Seconds (2 Beeps)	—	Transfer Active Call to/from Phone
	4 Seconds (3 Beeps)	Turn Headset OFF	Turn Headset OFF
Volume UP	Quick Press (1 Beep)	Increase Volume	Increase Volume
	2 Seconds (2 Beeps)	—	—
	4 Seconds (3 Beeps)	Answer Incoming, Hold Active	Swap calls
Volume DOWN	Quick Press (1 Beep)	Decrease Volume	Decrease Volume
	2 Seconds (2 Beeps)	—	—
	4 Seconds (3 Beeps)	Answer Incoming, Close Active	Close Active, Retrieve Held Call

Please Note : The desired function is initiated only when the button is released, so it is important that the button is held for the correct period of time

11 Safety and General Information

English

1. Please read this guidebook carefully and follow the instruction
2. To avoid any damage or malfunction of the unit do not drop unit from high places
3. Keep away unit from humidity, water and any other liquid. And if the unit is exposed by water, moisture and other liquid directly then don't operate it to avoid any electrical shock, explosion and damage of the unit.
4. Do not place or keep the unit near the heat sources such as direct sun light, radiators, stoves or other apparatus which produce heat. It may cause explosion, degrade of performance and reduce battery life.
5. Do not modify, repair & disassemble unit at discretion (Especially battery: It may cause an explosion)
6. Do not place the heavy objects on the unit.
7. Use only supplied and approved charger.
8. Replacement or service must be done by qualified service center or manufacturer.
9. Unplug this unit when unused for long periods of time or during lightning storms.

⚠ CAUTIONS: ELECTRIC SHOCK HAZARD

The battery used in this device may present a risk of fire or chemical burn if mis-treated.

12 FCC & IC STATEMENT

English

"This device complies with Part 15 of the FCC Rules."

Operation is subject to the following two conditions:

- (1) This device may not cause harmful interference, and
- (2) this device must accept any interference received, including interference that may cause undesired operation.

Note: The manufacturer is not responsible for ANY interference, for example RADIO or TV interference, caused by unauthorized modifications to this equipment. Such modifications could void the user's authority to operate the equipment.

13 EU

This product is CE marked according to the provision of the R&TTE Directive (99/5/EC). Here by MOVON Corporation, declares that this product is in compliance with the essential requirements and other relevant provisions of Directive 1999/5/EC. For further information please visit www.movon.co.kr

You can find the DoC from following website: www.movon.co.kr/certificate/rtte

Please note that this product uses radio frequency bands not harmonized within EU. Within the EU this product is intended to be used in Austria, Belgium, Denmark, Finland, France, Germany, Greece, Ireland, Italy, Luxembourg, The Netherlands, Portugal, Spain, Sweden, United Kingdom and within EFTA in Iceland, Norway and Switzerland.

Bluetooth is a trademark owned by the Bluetooth SIG, Inc.

The condition of this warranty and our responsibilities under this warranty are as follows:

Supplier's warranty is non-transferable. And this warranty is limited to the original purchaser only.

- " You must be able to prove the date of original purchase of the unit with a dated receipt.
- " The warranty is not applicable if the product has been subject to physical abuse, improper installation, modification or repair by unauthorized third party.
- " The responsibility of supplier's products shall be limited to the repair or replacement of the product at it's sole discretion.
- " Specifically exempt from any warranty are limited-life consumable components subject to normal wear and tear such as batteries, decorates and other accessories.
- " A supplier will not take any responsibility if the failure of the unit has resulted from accident, abuse, misuse, or any unauthorized repair, modification or disassemble.
- " Modification and repair of the unit should be done by authorized and qualified service personnel, Center or returned to the manufacturer
- " This warranty gives you specific legal rights, and you may also have other rights which vary under local laws.



Correct Disposal of This Product (Waste Electrical & Electronic Equipment)

(Applicable in the European Union and other European countries with separate collection systems)

This marking shown on the product or its literature, indicates that it should not be disposed with other household wastes at the end of its working life. To prevent possible harm to the environment or human health from uncontrolled waste disposal, please separate this from other types of wastes and recycle it responsibly to promote the sustainable reuse of material resources.

Household users should contact either the retailer where they purchased this product or their local government office, for details of where and how they can take this item for environmentally safe recycling.

Business users should contact their supplier and check the terms and conditions of the purchase contract. This product should not be mixed with other commercial wastes for disposal.

IMPORTANT NOTE: To comply with RF exposure requirements, this device may not be co-located with any other transmitter or antenna