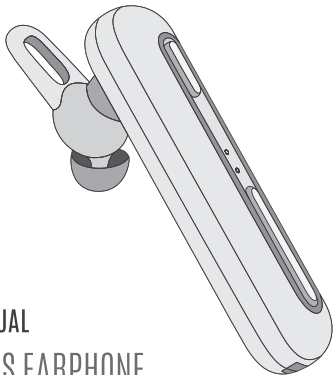


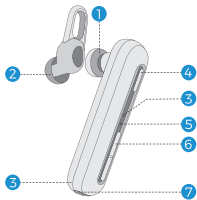
MPOW

MODEL: BH217A



USER MANUAL
WIRELESS EARPHONE

DIAGRAM



- ① Speaker
- ② Eartip
- ③ Mic
- ④ Multifunctional Button(MFB)
- ⑤ LED indicator
- ⑥ Vol +/-
- ⑦ USB charging dock

OPERATION GUIDE

Power On / Off

Power On : Long press and hold the MFB for 2 seconds and the voice prompt will be heard.

Power Off : Long press and hold the MFB for 3 seconds and the voice prompt will be heard.

Search Pairing (the first time to use)

1. Long press the MFB for 5 seconds in power off mode, the red and blue indicator lights will flash alternately. (The earphone automatically enters the pairing state after startup.)
2. Turn on the Bluetooth function on your cellphone, search "BH 217A" and click it to connect (If ask for passkey, please enter "0000").
3. If pairing is successful, you will hear an indication voice "conneted".

Connection with Two Mobile Phones

1. Pair the earphone to the first phone.
2. After the successful pairing, turn off the earphone and the Bluetooth function of the first phone;
3. Pair the Bluetooth earphone to the second phone as the above steps.
4. After the successful pairing, turn on the Bluetooth function of the first phone, select " BH217A " to connect;
5. When the above operations are successful, two phones will both be connected to the earphone at the same time.

Call

Answer / End a call : Short press the MFB to receive the phone call, press it again to end the phone call.

Reject a call : Long press the MFB for 2 seconds to reject the incoming call.

Redial : Double press the MFB to redial the last number you called on your phone in the connection state.

Voice dialing : Long press the MFB for 1-2 seconds in the connection state.

Music

Play / Pause : Short press the MFB.

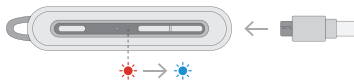
Next Song / Previous song : Long press the Vol +. Button to play next song in music mode; Long press the Vol -. Button to play previous song in music mode.

Vol + / - : Short press the Vol +. Button to increase the volume; Short press the Vol -. Button to decrease the volume.

Earphone Charging

This headphone is equipped with built-in non-detachable and rechargeable lithium battery. Please make sure that the battery is charged fully for the first time.

Red indicator light is always on when charging; blue indicator light remains lit when fully charged.



Factory Setting

Hold MFB for 5s until red and blue flash alternately 3 times during charging.

FCC Warning

Any Changes expressly or modifications not approved by the party responsible for compliance could void the user's authority to operate the equipment.

This device complies with part 15 of the FCC Rules. Operation is subject to the following two conditions:

- (1) This device may not cause harmful interference, and
- (2) this device must accept any interference received, including interference that may cause undesired operation.

FCC Radiation Exposure Statement:

This equipment complies with FCC radiation exposure limits set forth for an uncontrolled environment .