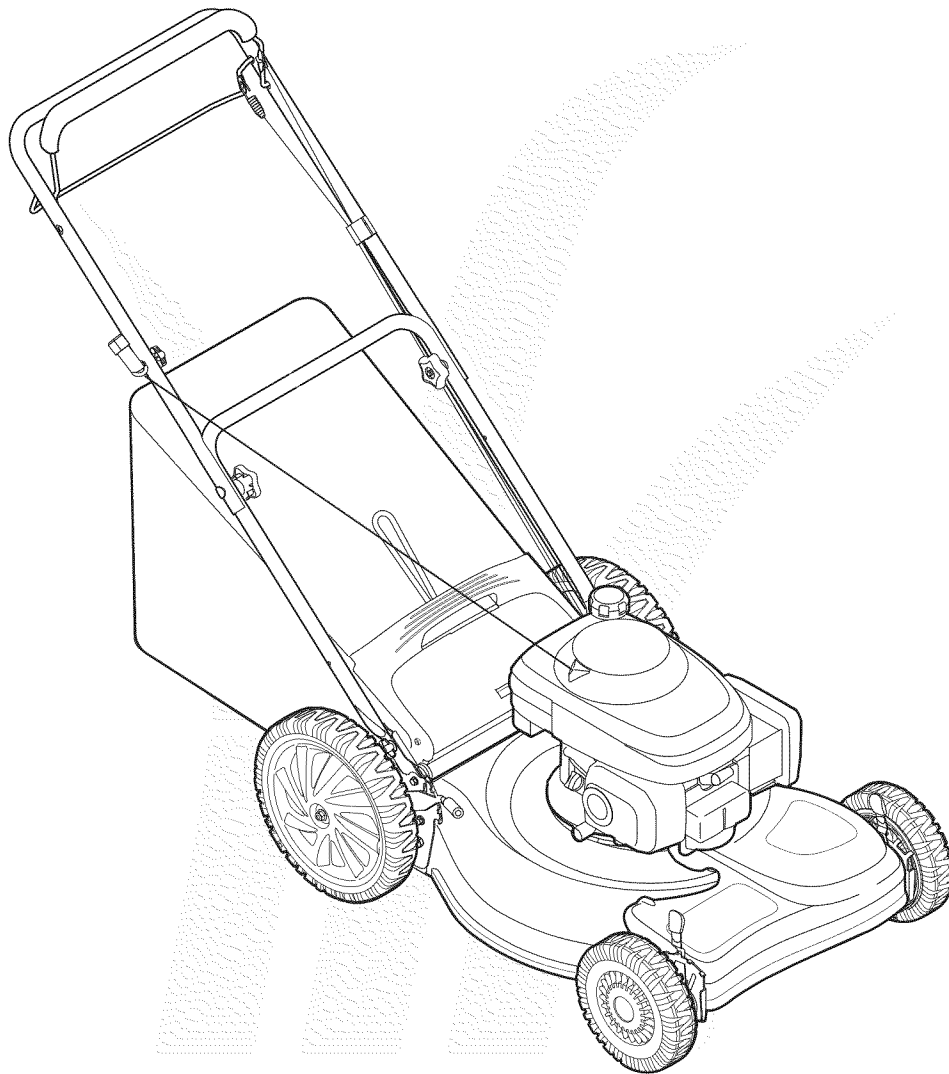


OPERATOR'S MANUAL



21-inch Self-Propelled Mower — Model 559

IMPORTANT

READ SAFETY RULES AND INSTRUCTIONS CAREFULLY BEFORE OPERATION

Warning: This unit is equipped with an internal combustion engine and should not be used on or near any unimproved forest-covered, brush-covered or grass-covered land unless the engine's exhaust system is equipped with a spark arrester meeting applicable local or state laws (if any). If a spark arrester is used, it should be maintained in effective working order by the operator. In the State of California the above is required by law (Section 4442 of the California Public Resources Code). Other states may have similar laws. Federal laws apply on federal lands. A spark arrester for the muffler is available through your nearest engine authorized service dealer or contact the service department, P.O. Box 361131 Cleveland, Ohio 44136-0019.

This Operator's Manual is an important part of your new lawn mower. It will help you assemble, prepare, and maintain the unit for best performance. Please read and understand what it says.

Table of Contents

Slope Gauge	3	Troubleshooting	12
Safe Operation Practices	4	Off-Season Storage	13
Setup and Adjustment	6	Safety Labels	13
Operating Your Lawn Mower.....	8	Parts List	14
Maintaining Your Lawn Mower.....	10	Warranty	Back Cover

Finding and Recording Model Number

BEFORE YOU BEGIN TO ASSEMBLE YOUR NEW EQUIPMENT, please locate the model plate on the equipment and copy the information to the sample model plate provided to the right. You can locate the model plate by standing at the operating position and looking down at the rear of the deck. This information will be necessary to use the manufacturer's web site, to obtain assistance from the Customer Support Department, or when contacting an authorized service dealer.

Model Number	Serial Number
	MTD LLC P. O. BOX 361131 CLEVELAND, OH 44136 330-220-4683 800-800-7310

Customer Support

Please do **NOT** return the unit to the retailer from which it was purchased, without first contacting Customer Support.


If you have difficulty assembling this product or have any questions regarding the controls, operation, or maintenance of this unit, you can seek help from the experts. Choose from the options below:

1. Visit www.mtdproducts.com. Click on the Customer Support menu option.
2. Phone a Customer Support Representative at **1-800-800-7310**.
3. The **engine manufacturer** is responsible for all engine-related issues with regards to performance, power-rating, specifications, warranty and service. Please refer to the engine manufacturer's Owner's/Operator's Manual, packed separately with your unit, for more information.

Yard-Man	Yard Machines	Manuals Online	Parts Online	Service Locator	Product Registration
----------	---------------	----------------	--------------	-----------------	----------------------

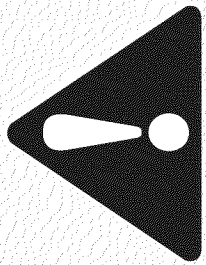
Need help using this site? Find instructions [here](#).

When searching this site, using fewer key words is more efficient than sentences or long phrases.

Answers	My Stuff	Login	Help
Products & Services ⓘ All Products ▼		Search Text (optional) <input type="text"/>	Search Tips <input type="button" value="Search"/>
		Search by Similar Phrases ▼	

1

Slope Gauge



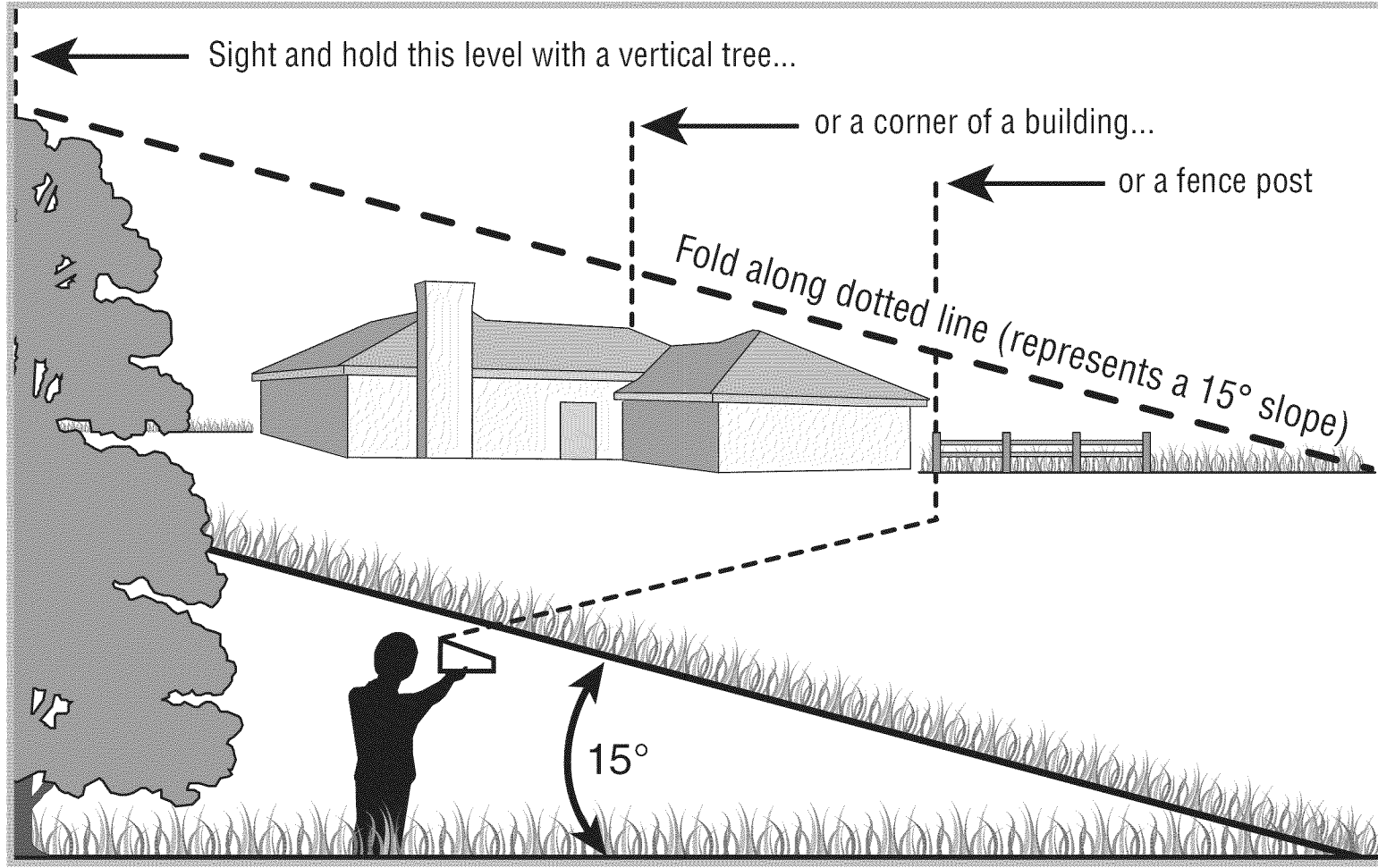
WARNING

Do not mow on inclines with a slope in excess of 15 degrees (a rise of approximately 2-1/2 feet every 10 feet). A riding mower could overturn and cause serious injury. If operating a walk-behind mower on such a slope, it is extremely difficult to maintain your footing and you could slip, resulting in serious injury.

Operate **RIDING** mowers up and down slopes, never across the face of slopes.

Operate **WALK-BEHIND** mowers across the face of slopes, never up and down slopes.

Use this page as a guide to determine slopes where you may not operate safely. **Do not operate** your lawn mower on such slopes.



2

Safe Operation Practices



WARNING

This symbol points out important safety instructions which, if not followed, could endanger the personal safety and/or property of yourself and others. Read and follow all instructions in this manual before attempting to operate this machine. Failure to comply with these instructions may result in personal injury. When you see this symbol.

HEED ITS WARNING

Your Responsibility

Restrict the use of this power machine to persons who read, understand and follow the warnings and instructions in this manual and on the machine.



WARNING: Engine Exhaust, some of its constituents, and certain vehicle components contain or emit chemicals known to State of California to cause cancer and birth defects or other reproductive harm.

DANGER: This machine was built to be operated according to the rules for safe operation in this manual. As with any type of power equipment, carelessness or error on the part of the operator can result in serious injury. This machine is capable of amputating hands and feet and throwing objects. Failure to observe the following safety instructions could result in serious injury or death.

Children

Tragic accidents can occur if operator is not alert to presence of children. Children are often attracted to mower and mowing activity. They do not understand the dangers. Never assume that children will remain where you last saw them.

1. Keep children out of the mowing area and under watchful care of a responsible adult other than the operator.
2. Be alert and turn mower off if a child enters the area.
3. Before and while moving backwards, look behind and down for small children.
4. Use extreme care when approaching blind corners, doorways, shrubs, trees, or other objects that may obscure your vision of a child who may run into the mower.
5. Keep children away from hot or running engines. They can suffer burns from a hot muffler.
6. Never allow children under 14 years old to operate a power mower. Children 14 years old and over should read and understand operation instructions and safety rules in this manual and should be trained and supervised by a parent.

General Operation

1. Read this operator's manual carefully in its entirety before attempting to assemble this machine. Read, understand, and follow all instructions on the machine and in the manual(s) before operation. Be completely familiar with the controls and the proper use of this machine before operating it. Keep this manual in a safe place for future and regular reference and for ordering replacement parts.
2. This machine is a precision piece of power equipment, not a plaything. Therefore, exercise extreme caution at all times. Your unit has been designed to perform one job: to mow grass. Do not use it for any other purpose.
3. Never allow children under 14 years old to operate this machine. Children 14 years old and over should read and understand the instructions in this manual and should be trained and supervised by a parent. Only responsible individuals who are familiar with these rules of safe operation should be allowed to use this machine.
4. Thoroughly inspect the area where the equipment is to be used. Remove all stones, sticks, wire, bones, toys and other foreign objects which could be tripped over or picked up and thrown by the blade. Thrown objects can cause serious personal injury. Plan your mowing pattern to avoid discharge of material toward roads, sidewalks, bystanders and the like. Also, avoid discharging material against a wall or obstruction which may cause discharged material to ricochet back toward the operator.
5. To help avoid blade contact or a thrown object injury, stay in operator zone behind handles and keep children, bystanders, helpers, and pets at least 75 feet from mower while it is in operation. Stop machine if anyone enters area.
6. Always wear safety glasses or safety goggles during operation and while performing an adjustment or repair to protect your eyes. Thrown objects which ricochet can cause serious injury to the eyes.
7. Wear sturdy, rough-soled work shoes and close-fitting slacks and shirts. Shirts and pants that cover the arms and legs and steel-toed shoes are recommended. Never operate this machine in bare feet, sandals, slippery or light weight (e.g. canvas) shoes.
8. Do not put hands or feet near rotating parts or under cutting deck. Contact with blade can amputate hands and feet.
9. A missing or damaged discharge cover can cause blade contact or thrown object injuries.
10. Many injuries occur as a result of the mower being pulled over the foot during a fall caused by slipping or tripping. Do not hold on to the mower if you are falling; release the handle immediately.
11. Never pull the mower back toward you while you are walking. If you must back the mower away from a wall or obstruction first look down and behind to avoid tripping and then follow these steps:
 - a. Step back from mower to fully extend your arms.
 - b. Be sure you are well balanced with sure footing.
 - c. Pull the mower back slowly, no more than half way toward you.
 - d. Repeat these steps as needed.
12. Do not operate the mower while under the influence of alcohol or drugs.
13. Do not engage the self-propelled mechanism on units so equipped while starting engine.
14. The blade control handle is a safety device. Never attempt to bypass its operation. Doing so makes the safety device inoperative and may result in personal injury through contact with the rotating blade. The blade control handle must operate easily in both directions and automatically return to the disengaged position when released.
15. Never operate the mower in wet grass. Always be sure of your footing. A slip and fall can cause serious personal injury. If you feel you are losing your footing, release the blade control handle immediately and the blade will stop rotating within three seconds.
16. Mow only in daylight or good artificial light. Walk, never run.
17. Stop the blade when crossing gravel drives, walks or roads.
18. If the equipment should start to vibrate abnormally, stop the engine and check immediately for the cause. Vibration is generally a warning of trouble.
19. Shut the engine off and wait until the blade comes to a complete stop before removing the grass catcher or unclogging the chute.

- The cutting blade continues to rotate for a few seconds after the engine is shut off. Never place any part of the body in the blade area until you are sure the blade has stopped rotating.
20. Never operate mower without proper trailshield, discharge cover, grass catcher, blade control handle, or other safety protective devices in place and working. Never operate mower with damaged safety devices. Failure to do so can result in personal injury.
 21. Muffler and engine become hot and can cause a burn. Do not touch.
 22. Only use parts and accessories made for this machine by manufacturer. Failure to do so can result in personal injury.
 23. If situations occur which are not covered in this manual, use care and good judgment. Contact your dealer for assistance. Telephone 1-800-800-7310 for the name of your nearest dealer.

Slope Operation

Slopes are a major factor related to slip and fall accidents which can result in severe injury. Operation on slopes requires extra caution. If you feel uneasy on a slope, do not mow it. For your safety, use the slope gauge included as part of this manual to measure slopes before operating this unit on a sloped or hilly area. If the slope is greater than 15 degrees, do not mow it.

Do:

1. Mow across the face of slopes; never up and down. Exercise extreme caution when changing direction on slopes.
2. Watch for holes, ruts, rocks, hidden objects, or bumps which can cause you to slip or trip. Tall grass can hide obstacles.
3. Always be sure of your footing. A slip and fall can cause serious personal injury. If you feel you are losing your balance, release the blade control handle immediately, and the blade will stop rotating within 3 seconds.

Do Not:

1. Do not mow near drop-offs, ditches or embankments, where you could lose your footing or balance.
2. Do not mow slopes greater than 15 degrees as shown on the slope gauge.
3. Do not mow on wet grass. Unstable footing could cause slipping.

Service

Safe Handling Of Gasoline:

1. To avoid personal injury or property damage use extreme care in handling gasoline. Gasoline is extremely flammable and the vapors are explosive. Serious personal injury can occur when gasoline is spilled on yourself or your clothes which can ignite.
2. Wash your skin and change clothes immediately.
3. Use only an approved gasoline container.
4. Never fill containers inside a vehicle or on a truck or trailer bed with a plastic liner. Always place containers on the ground away from your vehicle before filling.
5. Remove gas-powered equipment from the truck or trailer and refuel it on the ground. If this is not possible, then refuel such equipment on a trailer with a portable container, rather than from a gasoline dispenser nozzle.
6. Keep the nozzle in contact with the rim of the fuel tank or container opening at all times until fueling is complete. Do not use a nozzle lock-open device.

7. Extinguish all cigarettes, cigars, pipes and other sources of ignition.
8. Never fuel machine indoors because flammable vapors will accumulate in the area.
9. Never remove gas cap or add fuel while engine is hot or running. Allow engine to cool at least two minutes before refueling.
10. Never over fill fuel tank. Fill tank to no more than ½ inch below bottom of filler neck to provide for fuel expansion.
11. Replace gasoline cap and tighten securely.
12. If gasoline is spilled, wipe it off the engine and equipment. Move unit to another area. Wait 5 minutes before starting engine.
13. Never store the machine or fuel container near an open flame, spark or pilot light as on a water heater, space heater, furnace, clothes dryer, or other gas appliances.
14. To reduce fire hazard, keep mower free of grass, leaves, or other debris build-up. Clean up oil or fuel spillage and remove any fuel soaked debris.
15. Allow a mower to cool at least 5 minutes before storing.

General Service:

1. Never run an engine indoors or in a poorly ventilated area. Engine exhaust contains carbon monoxide, an odorless and deadly gas.
2. Before cleaning, repairing, or inspecting, make certain the blade and all moving parts have stopped. Disconnect the spark plug wire and ground against the engine to prevent unintended starting.
3. Check the blade and engine mounting bolts at frequent intervals for proper tightness. Also, visually inspect blade for damage (e.g., bent, cracked, worn) Replace blade with the original equipment manufacturer's (O.E.M.) blade only, listed in this manual. "Use of parts which do not meet the original equipment specifications may lead to improper performance and compromise safety!"
4. Mower blades are sharp and can cut. Wrap the blade or wear gloves, and use extra caution when servicing them.
5. Keep all nuts, bolts, and screws tight to be sure the equipment is in safe working condition.
6. Never tamper with safety devices. Check their proper operation regularly.
7. After striking a foreign object, stop the engine, disconnect the spark plug wire and ground against the engine. Thoroughly inspect the mower for any damage. Repair the damage before starting and operating the mower.
8. Never attempt to make a wheel or cutting height adjustment while the engine is running.
9. Grass catcher components, discharge cover, and trail shield are subject to wear and damage which could expose moving parts or allow objects to be thrown. For safety protection, frequently check components and replace immediately with original equipment manufacturer's (O.E.M.) parts only, listed in this manual. "Use of parts which do not meet the original equipment specifications may lead to improper performance and compromise safety!"
10. Do not change the engine governor setting or overspeed the engine. The governor controls the maximum safe operating speed of the engine.
11. Maintain or replace safety labels, as necessary.
12. Observe proper disposal laws and regulations. Improper disposal of fluids and materials can harm the environment.

2

Safe Operation Practices



WARNING

This symbol points out important safety instructions which, if not followed, could endanger the personal safety and/or property of yourself and others. Read and follow all instructions in this manual before attempting to operate this machine. Failure to comply with these instructions may result in personal injury. When you see this symbol.

HEED ITS WARNING

Your Responsibility

Restrict the use of this power machine to persons who read, understand and follow the warnings and instructions in this manual and on the machine.

3

Setup and Adjustment



Stand behind the mower as if you were going to operate it. Your right hand corresponds to the right side of the mower; your left hand corresponds to the left side of the mower.

DO NOT crimp the cables when lifting the handle up.

The indentation in your mowing deck is intentional and not a defect. It allows the manufacturer different configurations than the one you currently have.

IMPORTANT

This unit is shipped without gasoline or oil in the engine. Fill up gasoline and oil as instructed in the accompanying engine manual **BEFORE** operating your mower.

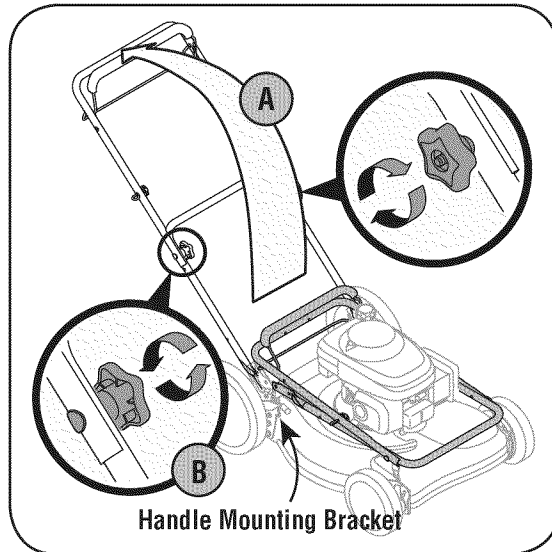


Figure 3-1: Lift handle and tighten hardware.

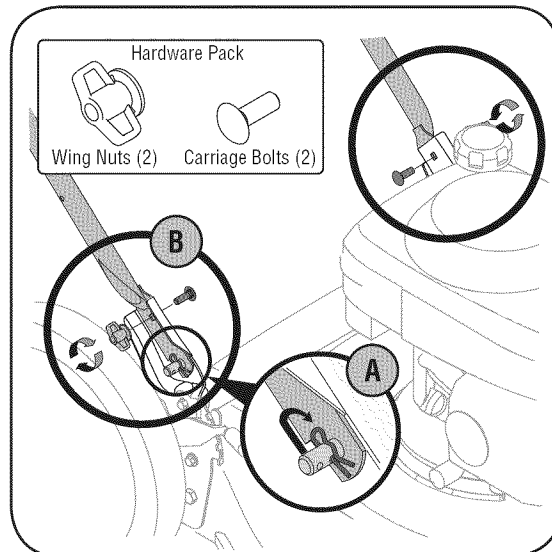


Figure 3-2: Secure handle to handle mounting brackets.

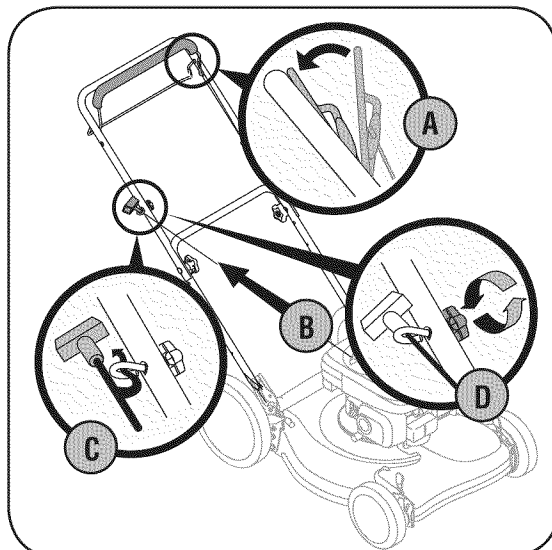


Figure 3-3: Pull recoil starter through rope guide and tighten.

1. Follow the steps below to remove the unit from the carton:
 - a. Open carton and remove loose parts included with unit. Do not crimp cables while removing loose parts or the entire unit from the carton.
 - b. Cut corners and lay carton down flat. Remove packing material. Roll or slide unit out of carton. Check carton thoroughly for loose parts.

NOTE: The indentation in your mowing deck is intentional and not a defect.

2. Follow the steps below to position the handle.
 - a. Pull up and back on upper handle as shown in Figure 3-1. Make certain the lower handle is seated securely into the handle mounting brackets.
 - b. Tighten star knobs securing upper handle to lower handle. Make sure that each carriage bolt is seated properly in the handle.
3. Locate the hairpin clip on the weld pin on each side of lower handle.
 - a. Remove hairpin clip from this hole. Using a pair of pliers, insert hairpin clip into the hole on pin closest to the bracket, Figure 3-2. Repeat on other side.
 - b. Insert a carriage bolt from the hardware pack into the upper hole on the handle mounting bracket. Secure with one plastic wing nut, also included in the hardware pack. Repeat on other side with remaining items from hardware pack.
4. The rope guide is attached to the right side of the upper handle. Loosen the wing nut which secures the rope guide, Figure 3-3.
 - a. Hold the blade control against upper handle.
 - b. Pull starter rope out of the engine. Release the blade control.
 - c. Slip starter rope into rope guide.
 - d. Tighten wing nut.
5. Secure cables to the lower handle with the cable ties already on the lower handle, Figure 3-4. Insert peg on cable tie into the hole on the lower handle. Pull cable ties tight and cut off excess.

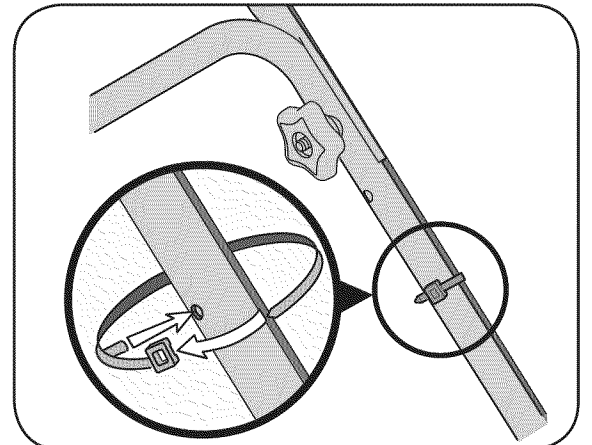


Figure 3-4: Use cable ties to secure cables to lower handle.

6. Follow the steps below, if needed, to assemble the grass catcher, Figure 3-5.
 - a. Place bag over frame so that its black plastic side is at the bottom.
 - b. Slip plastic channel over hooks on the frame. All the plastic channels except center top of bag attach from outside of bag.
 - c. Attach center top of bag from inside of bag.

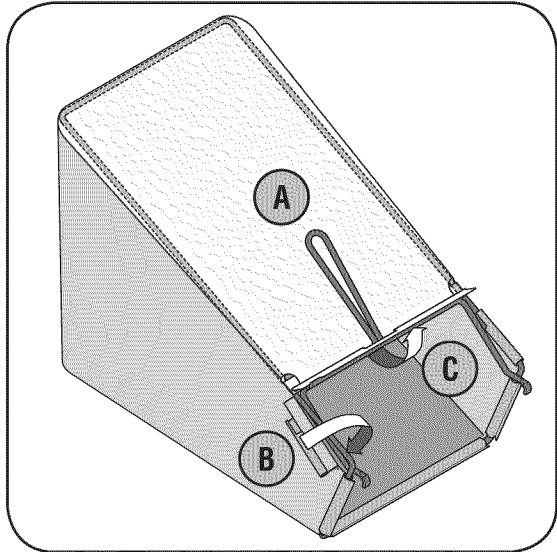


Figure 3-5: Assemble the grass catcher (if needed).

7. Follow steps below to install the grass catcher, Figure 3-6.
 - a. Lift rear discharge door.
 - b. Place grass catcher on the pivot rod. Let go of discharge door so that it rests on the grass catcher.

! WARNING: Never operate mower unless the hooks on the grass catcher are firmly seated on the pivot rod and the rear discharge door rests firmly against top of the grass catcher.

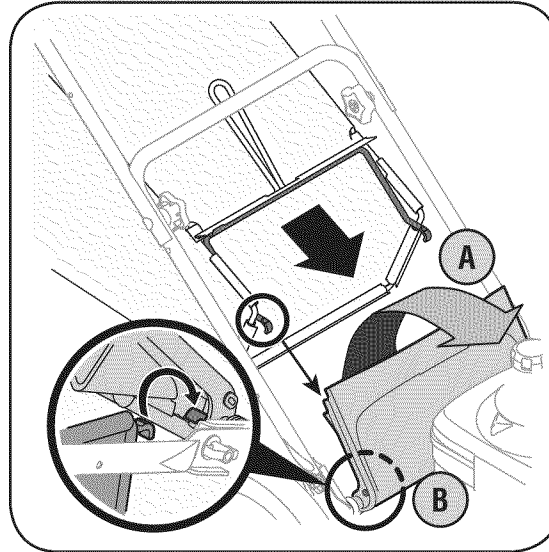


Figure 3-6: Lift discharge door and place grass catcher on rod.

Adjustments

Cutting Height

An adjusting plate and lever at each wheel provides cutting height adjustment.

1. Depress lever towards wheel.
2. Move it to any one of the positions for desired cutting height, Figure 3-7. Make sure that each wheel is positioned at the same height.
3. Release lever towards mower deck.

For rough or uneven lawns, move the height adjustment lever to a higher position. This will help prevent scalping of the grass.

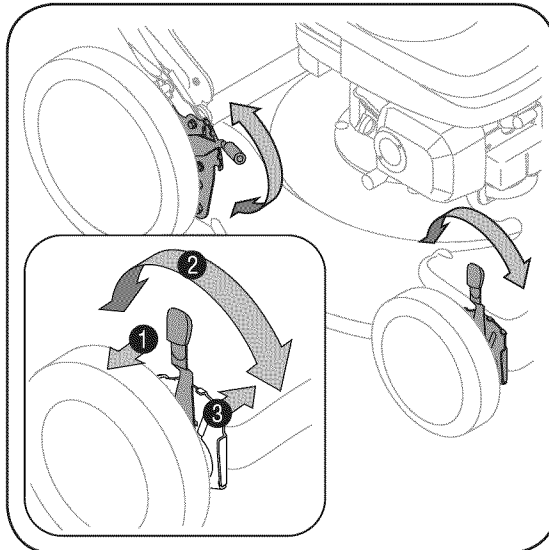


Figure 3-7: Use the lever at each wheel to adjust the cutting height.

3

Setup and Adjustment



CUTTING HEIGHT

For rough or uneven lawns, move the height adjustment lever to a higher position. This will help prevent scalping of the grass.



WARNING

Never operate mower unless the hooks on the grass catcher are firmly seated on pivot rod and the rear discharge door rests firmly against top of the grass catcher.

4

Operating Your Lawn Mower



The blade control is a safety device. Never attempt to bypass its operations.

Use extreme care when handling gasoline. Gasoline is extremely flammable and the vapors are explosive. Never fuel the machine indoors or while the engine is hot or running. Extinguish cigarettes, cigars, pipes and other sources of ignition.

Keep hands and feet away from the cutting deck. Refer to warning label on the unit.

Know Your Lawn Mower

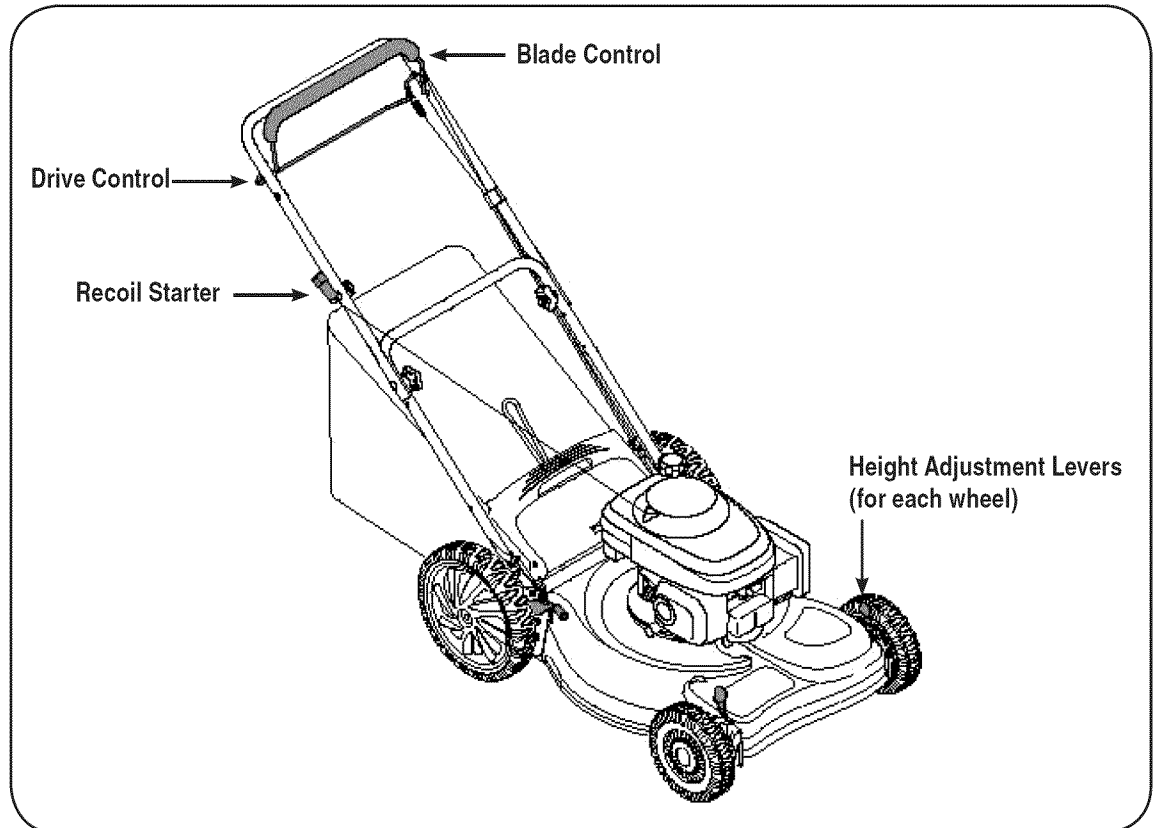


Figure 4-1: The main components on the mower.


Now that you have setup your lawn mower, it's important to become acquainted with its controls and features.

Blade Control

The blade control is attached to the upper handle of the mower. Depress and squeeze it against the upper handle to activate the blade. Release it to stop engine and blade.

Drive Control

The drive control is located on the underside of the upper handle and is used to engage the drive. Squeeze it against the upper handle to engage the drive; release it to slow down or stop mower from propelling.

 **WARNING:** This blade control mechanism is a safety device. Never attempt to bypass its operations.

Cutting Height Adjustment Levers

One adjustment lever is located at each wheel and is used to adjust the cutting height. All four wheels must be at the same position to ensure a uniform cut.


Recoil Starter

The recoil starter is attached to the right upper handle. Stand behind the unit and pull the recoil starter rope to start the unit.

Gas and Oil Fill-Up

Refer to engine manual for location of gas and oil fill.

1. Check oil level and add oil if necessary. Follow engine manual for this.
2. Service the engine with gasoline as instructed in the engine manual.

 **WARNING:** Use extreme care when handling gasoline. Gasoline is extremely flammable and the vapors are explosive. Never fuel the machine indoors or while the engine is hot or running. Extinguish cigarettes, cigars, pipes and other sources of ignition.

! WARNING: The operation of any lawn mower can result in foreign objects being thrown into the eyes, which can damage your eyes severely. Always wear safety glasses while operating the mower, or while performing any adjustments or repairs on it.

Starting the Mower

Starting the Engine

! WARNING: Be sure no one other than the operator is standing near the lawn mower while starting engine or operating mower. Never run engine indoors or in enclosed, poorly ventilated areas. Engine exhaust contains carbon monoxide, an odorless and deadly gas. Keep hands, feet, hair, and loose clothing away from any moving parts on engine and lawn mower.

Refer to the engine manual for help with engine controls.

1. Place the fuel valve lever found on the left side of the engine into the ON (OPEN) position, Figure 4-2.
2. Move the choke lever all the way backward into the choke position.
3. Standing behind the mower, squeeze the blade control against upper handle, Figure 4-2. The choke will now begin to slowly return to the off choke position after activating the blade control. Therefore, quickly move onto step four below.
4. Holding these two handles together firmly, grasp recoil starter handle and pull rope out with a rapid, continuous, full arm stroke, Figure 4-2. Keeping a firm grip on the starter handle let the rope rewind slowly. Repeat until engine cranks. Let the rope rewind each time slowly.

Stopping the Engine

1. Release blade control to stop the engine and blade.
2. Disconnect spark plug wire from spark plug and ground against the engine.

! WARNING: Wait for the blade to stop completely before performing any maintenance on the mower or to remove the grass catcher.

Using Your Lawn Mower

! WARNING: Never operate your mower without either the rear door or the entire grass catcher assembly firmly secured.

Be sure lawn is clear of stones, sticks, wire, or other objects which could damage lawn mower or engine. Such objects could be accidentally thrown by the mower in any direction and cause serious personal injury to the operator and others.

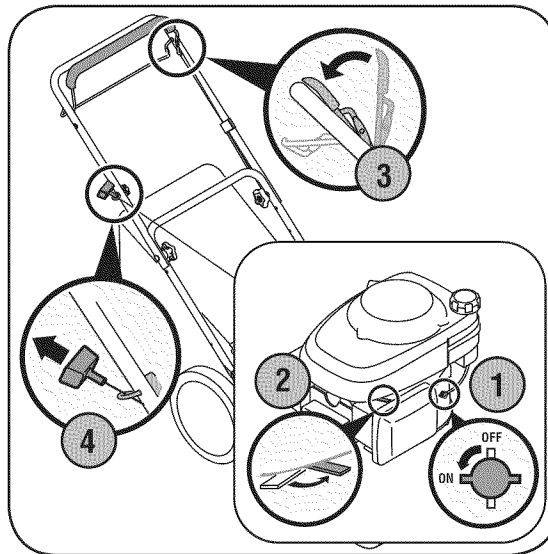


Figure 4-2: Steps involved in starting the mower.

! WARNING: If you strike a foreign object, stop the engine. Remove wire from the spark plug, thoroughly inspect mower for any damage, and repair damage before restarting and operating. Extensive vibration of mower during operation is an indication of damage. The unit should be promptly inspected and repaired.

1. Once the engine is running, squeeze the drive control against the upper handle to propel mower. For best results, do not cut wet grass and never cut off more than one-third of the total length of the grass.

Using as Mulcher

For mulching grass, remove the grass catcher from the mower. The rear discharge door should close.

- For effective mulching, do not cut wet grass.
- New or thick grass may require a narrower cut. Adjust ground speed according to condition of lawn.
- If the grass has been allowed to grow in excess of four inches, mulching is not recommended.

Using Grass Catcher

You can use the grass catcher to collect clippings while you are operating the mower.

1. Attach grass catcher following instructions in Setup section. Grass clippings will automatically collect in bag as you run mower. Operate mower till grass bag is full.
2. Stop engine completely by releasing the blade control handle. Make sure that the unit has come to a complete stop.
3. Lift discharge door and pull grass bag up and away from the mower to dispose of the grass clippings.

4

Operating Your Lawn Mower



The operation of any lawn mower can result in foreign objects being thrown into the eyes, which can damage your eyes severely. Always wear safety glasses while operating the mower, or while performing any adjustments or repairs on it.

Be sure no one other than the operator is standing near the lawn mower while starting engine or operating mower. Never run engine indoors or in enclosed, poorly ventilated areas. Engine exhaust contains carbon monoxide, an odorless and deadly gas. Keep hands, feet, hair and loose clothing away from any moving parts on engine and lawn mower.

5

Maintaining Your Lawn Mower



WARNING

Always stop engine, disconnect spark plug, and ground against engine before performing any type of maintenance on your machine.



Do not use a pressure washer or garden hose to clean your unit. These may cause damage to electric components, spindles, pulleys, bearings, or the engine. The use of water will result in shortened life and reduce serviceability.

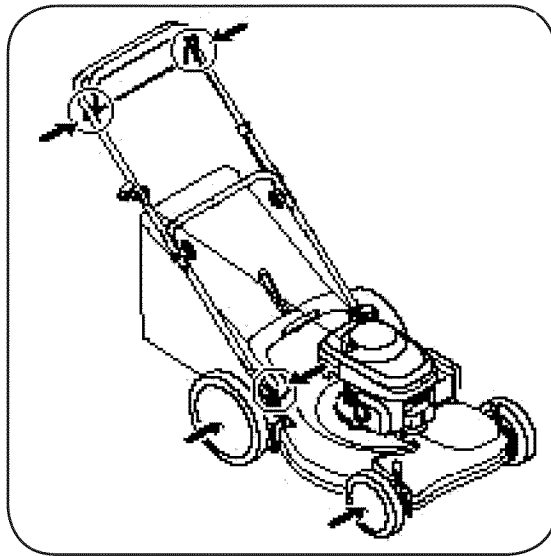


Figure 5-1: Areas to lubricate on mower.

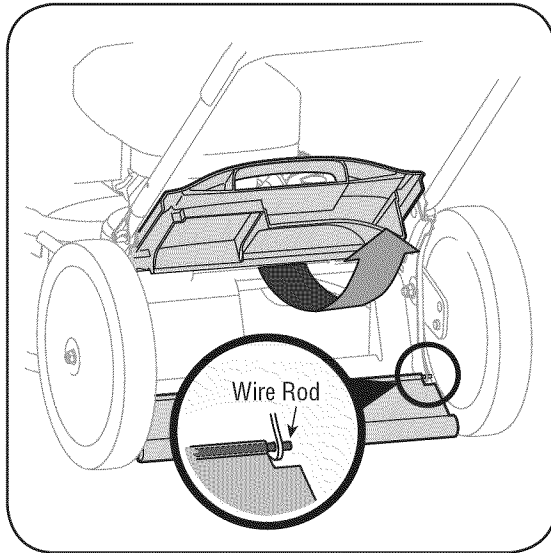



Figure 5-2: Cut rod to remove rear flap.

General Recommendations

- Always observe safety rules when performing any maintenance.
- The warranty on this lawn mower does not cover items that have been subjected to operator abuse or negligence. To receive full value from warranty, operator must maintain the lawn mower as instructed here.
- Changing of engine-governed speed will void engine warranty.
- All adjustments should be checked at least once each season.
- Periodically check all fasteners and make sure these are tight.

 **WARNING:** Always stop engine, disconnect spark plug, and ground against engine before performing any type of maintenance on your machine.


Lubrication

1. Lubricate pivot points on the blade and drive control handles at least once a season with light oil, Figure 5-1.
2. Lubricate the wheels at least once a season with light oil (or motor oil). If wheels are removed for any reason, lubricate surface of the pivot arm and inner surface of the wheel with light oil.
3. Lubricate the torsion spring and pivot point on the rear discharge door periodically with light oil to prevent rust.
4. The transmission is pre-lubricated and sealed at the factory and does not require lubrication.
5. Follow the accompanying engine manual for lubrication schedule and instruction for engine lubrication.

Deck Care

The underside of the mower deck should be cleaned after each use to prevent any build-up of grass clippings, leaves, dirt, or other debris. If this debris is allowed to accumulate it will result in rust and corrosion.

1. Disconnect spark plug wire. Drain gasoline from lawn mower or place a piece of plastic under the gas cap.
2. Tip mower so that it rests on the housing. Keep the side with the air cleaner facing up. Hold mower firmly.

 **WARNING:** Never tip the mower more than 90° in any directions and do not leave the mower tipped for any length of time. Oil can drain into the upper part of the engine causing a starting problem.

3. Scrape and clean the underside of the deck with a suitable tool. Do not spray with water.
4. Put the mower back on its wheels on the ground. If you had put plastic under the gas cap earlier, make sure to remove it now.

Engine Care

Follow the accompanying engine manual for detailed list and instructions.

- Maintain oil level as instructed in engine manual.
- Service air cleaner every 25 hours under normal conditions. Clean every few hours under extremely dusty conditions. Refer to engine manual.
- Clean spark plug and reset the gap once a season. Check engine manual for correct plug type and gap specifications.
- Clean engine regularly with a cloth or brush. Keep the cooling system (blower housing area) clean to permit proper air circulation. Remove all grass, dirt and combustible debris from muffler area.

Replacing Rear Flap

1. To remove rear flap, cut off the flat end of the wire rod which secures it to the deck, Figure 5-2.
2. Attach the new flap and new rod to deck, bending the ends of the new rod over to secure to deck.

Blade Care

WARNING: When removing cutting blade, protect your hands with a pair of heavy gloves or use a heavy rag to hold blade.

1. Disconnect spark plug wire from spark plug. Turn mower on its side making sure that the air filter and the carburetor are up.
2. Remove bolt, blade bell support, blade, and blade adapter from the engine crankshaft, Figure 5-3. **When removing these items, the spacer, pulleys, and washers will come loose. Be sure to make note of the orientation of these items for reassembly.**
3. The blade can be sharpened with a file or on a grinding wheel. Follow the original angle of grind. Do not attempt to sharpen the blade while it is still on the mower. Balance the blade on a round shaft screwdriver. Grind cutting edges equally. Remove metal from the heavy side until it balances evenly.

WARNING: An unbalanced blade will cause excessive vibration when rotating at high speeds. It may cause damage to mower and could break causing personal injury.

4. Lubricate the engine crankshaft and the inner surface of the blade adapter with light oil. Reinsert the spacer, pulleys, and washers. Slide the blade adapter onto the engine crankshaft. Place the blade on the adapter such that the side of the blade marked "Bottom" (or with part number) faces the ground when the mower is in the operating position. Make sure that blade is aligned and seated on blade adapter flanges.
5. Place blade bell support on the blade. Align notches on the blade bell support with small holes in blade. Replace hex bolt and tighten hex bolt to torque: 450 in. lbs. min., 600 in. lbs.

To ensure safe operation of your mower, periodically check the blade bolt for correct torque.

Belt Care

1. Remove two shoulder screws securing front drive cover to mower deck, Figure 5-4. Press inward on sides of front drive cover and release tabs that secure it to the height adjuster brackets. Remove drive cover.
2. Loosen screw holding belt tension spring to transmission, Figure 5-4. Do not remove screw completely. As you loosen it, tension on the belt will be released.
3. Push transmission up a little and slide belt off the transmission pulley. Lift mower to access belt from underside of mower. Slide belt off of engine pulley and around the blade, Figure 5-5.
4. Replace with new belt, working around blade. Make sure belt is firmly seated on engine pulley while pulling from the other side and sliding it around the transmission pulley. Tighten screw loosened earlier to secure belt tension spring to the transmission. Reassemble front drive cover.

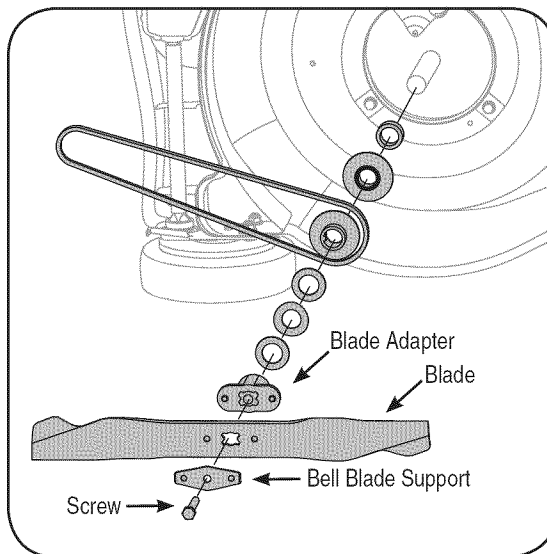


Figure 5-3: Remove blade and hardware.

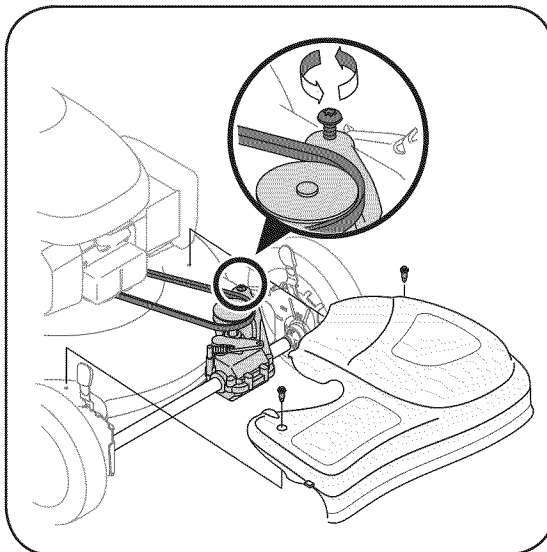


Figure 5-4: Remove cover to access the transmission and belt.

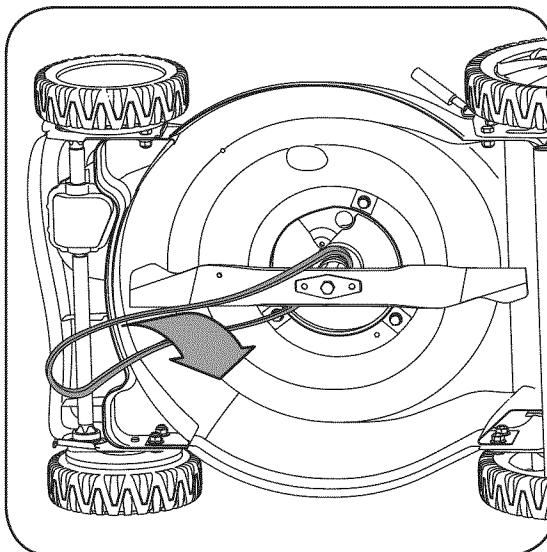


Figure 5-5: Remove belt from around blade.

5

Maintaining Your Lawn Mower



WARNING

When removing the cutting blade for sharpening or replacement or when sliding the belt around it, protect your hands with a pair of heavy gloves or use a heavy rag to hold the blade.

An unbalanced blade will cause excessive vibration when rotating at high speeds. It may cause damage to mower and could break causing personal injury.

6

Trouble Shooting



For repairs beyond the minor adjustments listed here, contact an authorized service dealer.

Problem	Cause	Remedy
Engine fails to start	<ol style="list-style-type: none"> 1. Blade control disengaged. 2. Spark plug wire disconnected. 3. Fuel tank empty or stale fuel. 4. Engine not primed. 5. Faulty spark plug. 6. Blocked fuel line. 7. Engine flooded. 	<ol style="list-style-type: none"> 1. Engage blade control. 2. Connect wire to spark plug. 3. Fill tank with clean, fresh gasoline. 4. Prime engine as instructed in "Operating Your Lawn Mower". 5. Clean, adjust gap, or replace. 6. Clean fuel line. 7. Wait a few minutes to restart, but do not prime.
Engine runs erratic	<ol style="list-style-type: none"> 1. Spark plug wire loose. 2. Blocked fuel line or stale fuel. 3. Vent in gas cap plugged. 4. Water or dirt in fuel system. 5. Dirty air cleaner. 6. Carburetor out of adjustment. 	<ol style="list-style-type: none"> 1. Connect and tighten spark plug wire. 2. Clean fuel line; fill tank with clean, fresh gasoline. 3. Clear vent. 4. Drain fuel tank. Refill with fresh fuel. 5. Refer to engine manual. 6. Refer to engine manual.
Engine overheats	<ol style="list-style-type: none"> 1. Engine oil level low. 2. Air flow restricted. 3. Carburetor not adjusted properly. 	<ol style="list-style-type: none"> 1. Fill crankcase with proper oil. 2. Remove blower housing and clean. 3. Refer to engine manual.
Occasional skips (hesitates) at high speed	<ol style="list-style-type: none"> 1. Spark plug gap too close. 2. Carburetor idle mixture adjustment improperly set. 	<ol style="list-style-type: none"> 1. Adjust gap to .030". 2. Refer to engine manual.
Idles poorly	<ol style="list-style-type: none"> 1. Spark plug fouled, faulty or gap too wide. 2. Carburetor improperly adjusted. 3. Dirty air cleaner. 	<ol style="list-style-type: none"> 1. Reset gap to .030" or replace spark plug. 2. Refer to engine manual. 3. Refer to engine manual.
Excessive Vibration	<ol style="list-style-type: none"> 1. Cutting blade loose or unbalanced. 2. Bent cutting blade. 	<ol style="list-style-type: none"> 1. Tighten blade and adapter. Balance blade. 2. See an authorized service dealer.
Mower will not mulch grass (If Equipped)	<ol style="list-style-type: none"> 1. Wet grass. 2. Excessively high grass. 3. Dull blade. 	<ol style="list-style-type: none"> 1. Do not mow when grass is wet; wait until later to cut. 2. Mow once at a high cutting height, then mow again at desired height or make a narrower cutting path. 3. Sharpen or replace blade.
Uneven cut	<ol style="list-style-type: none"> 1. Wheels not positioned correctly. 2. Dull blade. 	<ol style="list-style-type: none"> 1. Place all four wheels in same height position. 2. Sharpen or replace blade.
Mower will not self propel	<ol style="list-style-type: none"> 1. Belt not installed properly. 2. Debris clogging drive operation. 3. Damaged or worn belt. 	<ol style="list-style-type: none"> 1. Check belt for proper pulley installation and movement. 2. Stop engine, disconnect spark plug wire and clean out debris. 3. Inspect and replace belt.

Off-Season Storage

The following steps should be taken to prepare your lawn mower for storage.

1. Clean and lubricate mower thoroughly as described in the lubrication instructions.
2. We do not recommend the use of a pressure washer or garden hose to clean your unit.
3. Refer to engine manual for correct engine storage instructions.

4. Coat mower's cutting blade with chassis grease to prevent rusting.
5. Store mower in a dry, clean area. Do not store next to corrosive materials, such as fertilizer.

When storing any type of power equipment in a poorly ventilated or metal storage shed, care should be taken to rust-proof the equipment. Using a light oil or silicone, coat the equipment, especially cables and all moving parts of your lawn mower before storage.

Safety Labels Found On Your Lawn Mower



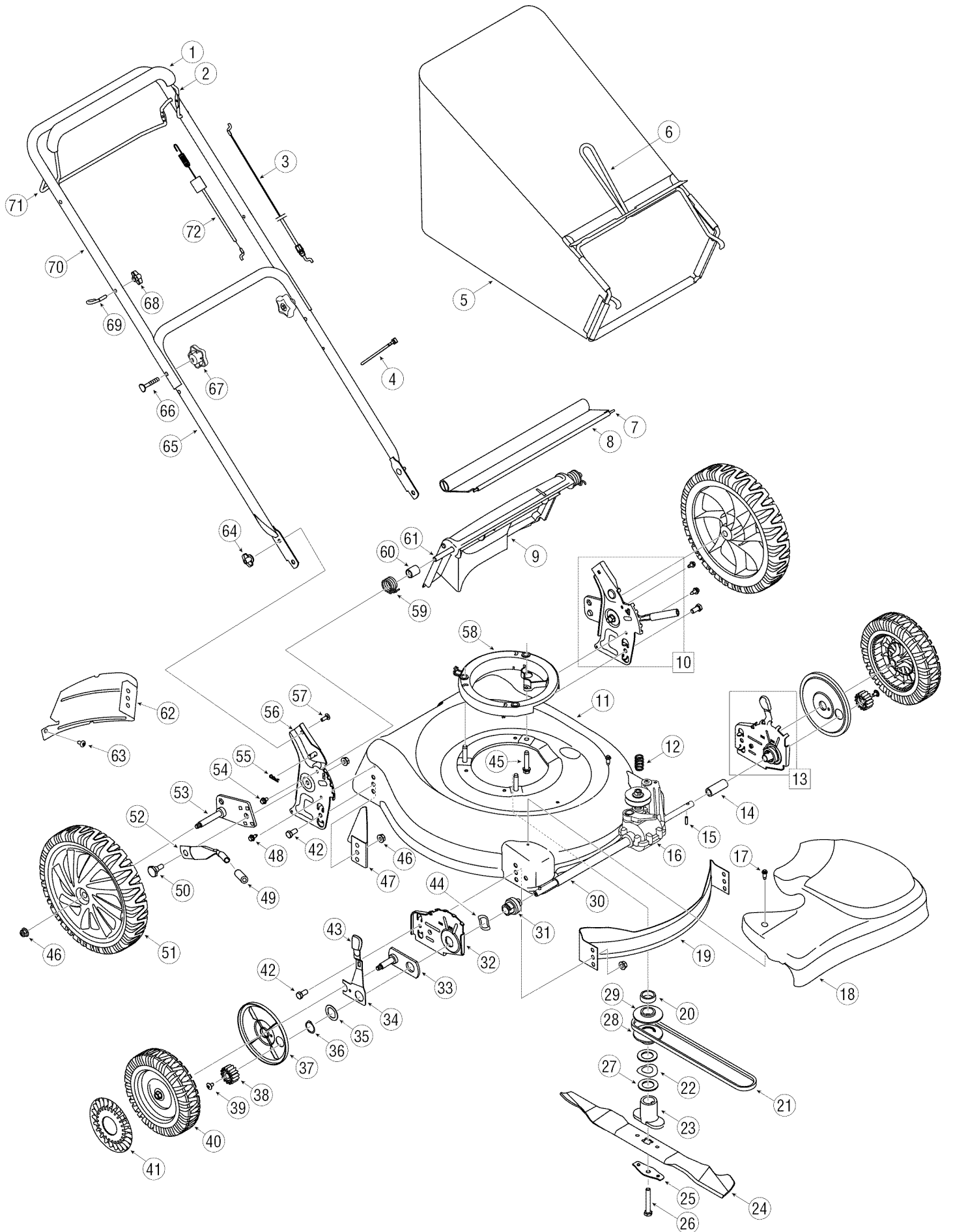
7

Off Season Storage and Safety Labels



WARNING

DO NOT remove safety (or any) labels from mower for any reason.



8

Parts List



To order replacement parts, call
1-800-800-7310
 or visit us on
 the web at
www.mtdproducts.com

IMPORTANT

For a proper working machine, use Factory Approved Parts. V-BELTS are specially designed to engage and disengage safely. A substitute (non OEM) V-Belt can be dangerous by not disengaging completely.

1	731-2626	Bail Cover
2	747-1161A	Blade Control
3	746-1113	Control Cable 37.75-inch
4	726-0240	Cable Tie
5	664-04007A	Grass Bag Assembly
6	747-04080	Grass Bag Frame
7	732-0700	Trailshield Wire
8	731-04998	Trailshield
9	731-04134A	Rear Door
10	687-02057	Height Adj. Bracket Assy - LH
	687-02056	Height Adj. Bracket Assy - RH
11	787-01248	21-inch Deck
12	732-1043	Compression Spring
13	687-02193	Front Height Adj. Assy - LH
	687-02194	Front Height Adj. Assy - RH
14	750-04595	Sleeve Spacer .52 ID x 1.5 long
15	715-0221	Dowel Pin
16	618-04376	Transmission
17	710-1650	Shoulder Screw
18	731-05013A	Deck Cover
19	782-5002B	Front Baffle
20	750-04438A	Sleeve Spacer
21	754-04101	V-Type Belt
22	736-04173	Spring Washer 1.005 x 1.825 x .048
23	748-04082	Blade Adapter with Star
24	742-0741	21-inch Mulching Blade
25	736-0524B	Bell Blade Spacer
26	710-1257	Screw 3/8-24 x 2.5
27	736-0250	Flat Washer 1 x 1.75 x .107
28	756-04160	Key Half Pulley
29	756-04161	Upper Half Pulley
30	750-04594	Sleeve Spacer
31	682-0015	Front Bearing Assembly
32	787-01298	Adjustment Plate RH
	787-01299	Adjustment Plate LH
33	687-02044	Pivot Plate Assembly
34	732-0706	Spring Lever RH
	732-0707	Spring Lever LH
35	736-0474	Flat Washer 1.01 x 1.5 x .035
36	716-0102	Snap Ring

37	782-7551A	Wheel Cover
38	717-1762	Spur Gear 14T RH
	717-1761	Spur Gear 14T LH
39	710-04531	Screw 1/4-20 x .39
40	734-04093	Front Wheel 8 x 2.125 Gear Zag Blk
41	731-0981A	Hubcap
42	710-0216	Screw 3/8-16 x .75
43	720-0426	Knob
44	736-0447	Wave Washer 1.5 x 1 x .029
45	710-1008	Screw TT 3/8-16 x 1.875
46	712-04065	Flange Lock Nut 3/8-16
47	782-5004B	Rear RH Baffle
48	710-1652	Screw TT 1/4-20 x .625
49	720-0312	Foam Grip
50	738-0507B	Shoulder Screw
51	734-04093	Rear Wheel 12 x 2.125 Idle Zag Gry
52	732-0866	Spring Lever
53	687-02039A	Pivot Arm Assembly RH
	687-02040A	Pivot Arm Assembly LH
54	710-0599	Screw TT 1/4-20 x .5
55	714-0104	Hairpin Clip
56	687-02192	Handle Bracket Assembly RH
	687-02191	Handle Bracket Assembly LH
57	710-0703	Screw 1/4-20 x .75
58	631-0075B	Engine Spacer
59	732-04090A	Torsion Spring RH
	732-04089A	Torsion Spring LH
60	750-04162	Spacer
61	747-0996	Pivot Rod
62	782-5003A	Rear Baffle LH
63	710-1017	Screw AB 1/4-14 x .625
64	712-0397	Wing Nut
65	749-0928A	Lower Handle
66	710-1174	Carriage Bolt 5/16-18 x 2
67	720-04072	Star Knob
68	720-0279	Handle Knob
69	710-1205	Eye Bolt
70	749-1092A	Upper Handle
71	747-1214	Drive Control
72	746-04203	Control Cable 51-inch

MANUFACTURER'S LIMITED WARRANTY FOR



The limited warranty set forth below is given by MTD LLC with respect to new merchandise purchased and used in the United States, its possessions and territories.

"MTD" warrants this product against defects in material and workmanship for a period of two (2) years commencing on the date of original purchase and will, at its option, repair or replace, free of charge, any part found to be defective in materials or workmanship. This limited warranty shall only apply if this product has been operated and maintained in accordance with the Operator's Manual furnished with the product, and has not been subject to misuse, abuse, commercial use, neglect, accident, improper maintenance, alteration, vandalism, theft, fire, water, or damage because of other peril or natural disaster. Damage resulting from the installation or use of any part, accessory or attachment not approved by MTD for use with the product(s) covered by this manual will void your warranty as to any resulting damage.

Normal wear parts are warranted to be free from defects in material and workmanship for a period of thirty (30) days from the date of purchase. Normal wear parts include, but are not limited to items such as: batteries, belts, blades, blade adapters, grass bags, rider deck wheels, seats, snow thrower skid shoes, shave plates, auger spiral rubber and tires.

HOW TO OBTAIN SERVICE: Warranty service is available, WITH PROOF OF PURCHASE, through your local authorized service dealer. To locate the dealer in your area, check your Yellow Pages, or contact MTD LLC at P.O. Box 361131, Cleveland, Ohio 44136-0019, or call 1-800-800-7310 or 1-330-220-4683 or log on to our Web site at www.mtdproducts.com.

This limited warranty does **not** provide coverage in the following cases:

- a. The engine or component parts thereof. These items may carry a separate manufacturer's warranty. Refer to applicable manufacturer's warranty for terms and conditions.
- b. Log splitter pumps, valves, and cylinders have a separate one year warranty.
- c. Routine maintenance items such as lubricants, filters, blade sharpening, tune-ups, brake adjustments, clutch adjustments, deck adjustments, and normal deterioration of the exterior finish due to use or exposure.
- d. Service completed by someone other than an authorized service dealer.

e. MTD does not extend any warranty for products sold or exported outside of the United States, its possessions and territories, except those sold through MTD's authorized channels of export distribution.

f. Replacement parts that are not genuine MTD parts.

g. Transportation charges and service calls.

No implied warranty, including any implied warranty of merchantability of fitness for a particular purpose, applies after the applicable period of express written warranty above as to the parts as identified. No other express warranty, whether written or oral, except as mentioned above, given by any person or entity, including a dealer or retailer, with respect to any product, shall bind MTD. During the period of the warranty, the exclusive remedy is repair or replacement of the product as set forth above.

The provisions as set forth in this warranty provide the sole and exclusive remedy arising from the sale. MTD shall not be liable for incidental or consequential loss or damage including, without limitation, expenses incurred for substitute or replacement lawn care services or for rental expenses to temporarily replace a warranted product.

Some states do not allow the exclusion or limitation of incidental or consequential damages, or limitations on how long an implied warranty lasts, so the above exclusions or limitations may not apply to you.

In no event shall recovery of any kind be greater than the amount of the purchase price of the product sold. **Alteration of safety features of the product shall void this warranty.** You assume the risk and liability for loss, damage, or injury to you and your property and/or to others and their property arising out of the misuse or inability to use the product.

This limited warranty shall not extend to anyone other than the original purchaser or to the person for whom it was purchased as a gift.

HOW STATE LAW RELATES TO THIS WARRANTY: This limited warranty gives you specific legal rights, and you may also have other rights which vary from state to state.

IMPORTANT: Owner must present Original Proof of Purchase to obtain warranty coverage.