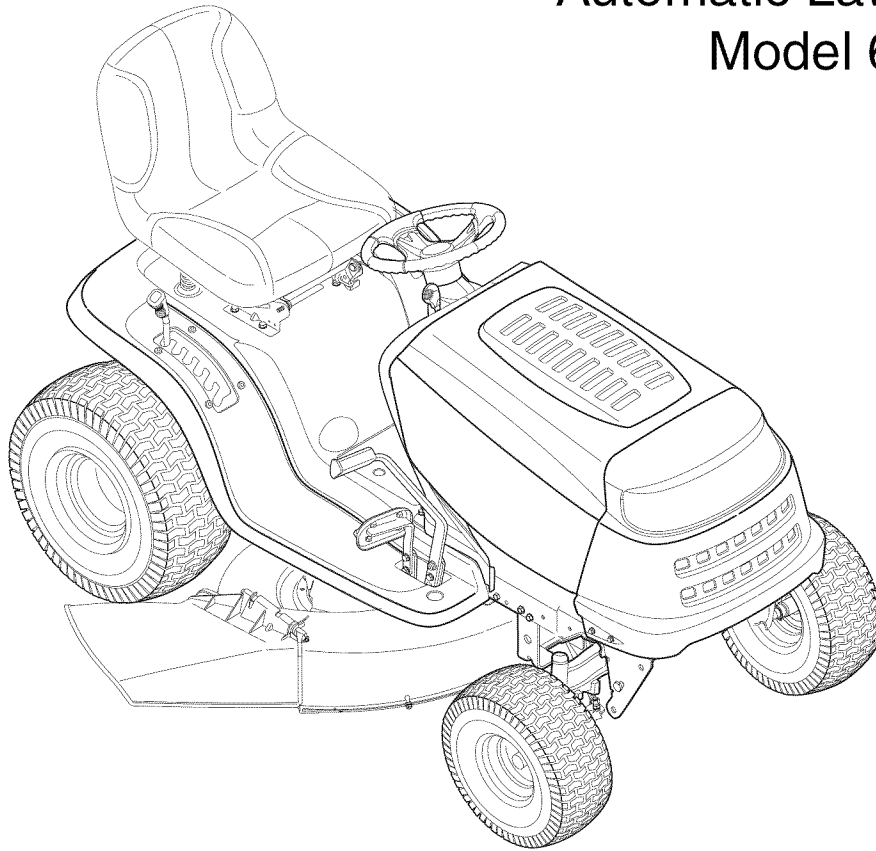


# Operator's Manual

## Automatic Lawn Tractor Model 601



### **IMPORTANT: READ SAFETY RULES AND INSTRUCTIONS CAREFULLY**

**Warning:** This unit is equipped with an internal combustion engine and should not be used on or near any unimproved forest-covered, brush-covered or grass-covered land unless the engine's exhaust system is equipped with a spark arrester meeting applicable local or state laws (if any). If a spark arrester is used, it should be maintained in effective working order by the operator. In the State of California the above is required by law (Section 4442 of the California Public Resources Code). Other states may have similar laws. Federal laws apply on federal lands. A spark arrester for the muffler is available through your nearest engine authorized service dealer or contact the service department, P.O. Box 361131 Cleveland, Ohio 44136-0019.

**MTD LLC, P.O. BOX 361131 CLEVELAND, OHIO 44136-0019**

## TABLE OF CONTENTS

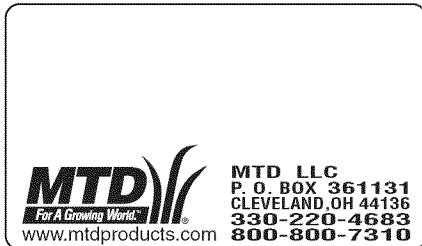
Content	Page	Content	Page
Customer Support	2	Maintaining Your Lawn Tractor	18
Important Safe Operation Practices	3	Service	19
Slope Gauge	7	Off Season Storage	22
Tractor Set-Up	8	Attachments & Accessories	22
Know Your Lawn Tractor	9	Troubleshooting	23
Operating Your Lawn Tractor	13	Parts List	25
Making Adjustments	16	Espanol	41

## FINDING MODEL NUMBER

This Operator's Manual is an important part of your new lawn tractor. It will help you assemble, prepare and maintain the unit for best performance. Please read and understand what it says.



**Before you start assembling your new equipment**, please locate the model plate under the seat of the tractor and copy the information in the space provided below. A sample model plate is also given below. This information will be necessary to use the manufacturer's web site and/or help from the Customer Support Department or an authorized service dealer.



Copy the model number here: \_\_\_\_\_

Copy the serial number here: \_\_\_\_\_

## CUSTOMER SUPPORT

**Please do NOT return the unit to the retailer from where it was purchased, without first contacting Customer Support.**

If you have difficulty assembling this product or have any questions regarding the controls, operation or maintenance of this unit, you can seek help from the experts. Choose from the options below:

	<p>Visit <b>mtdproducts.com</b> for many useful suggestions. Click on Customer Support button and you will get the four options reproduced here. Click on the appropriate button and help is immediately available.</p> <div style="text-align: center; border: 1px solid black; padding: 5px; margin: 10px auto; width: 80%;"> <p>Find Answers Click here to search our knowledge base. Search by product, keyword, or phrase.</p> <hr/> <p>My Stuff Login to check the status of your questions, modify your inquiries, or update your personal profile.</p> <hr/> <p>Service Locator Need local assistance? Click here to find authorized service centers in your area.</p> <hr/> <p>Manuals Online Need a manual and/or parts list? Download literature from recent model years.</p> </div> <p style="text-align: center; font-style: italic;">The answer you are looking for could be just a mouse click away!</p>
	<p>To reach the Customer Support Line, please call <b>1-800-800-7310</b>.</p>
	<p>The <b>engine</b> manufacturer is responsible for all engine-related issues with regards to performance, power-rating, specifications, warranty and service. Please refer to the engine manufacturer's Owner's/Operator's Manual, at the end of this manual, for more information.</p>

---

## SECTION 1: IMPORTANT SAFE OPERATION PRACTICES



**WARNING:** This symbol points out important safety instructions which, if not followed, could endanger the personal safety and/or property of yourself and others. Read and follow all instructions in this manual before attempting to operate this machine. Failure to comply with these instructions may result in personal injury. When you see this symbol—heed its warning.



**DANGER:** This machine was built to be operated according to the rules for safe operation in this manual. As with any type of power equipment, carelessness or error on the part of the operator can result in serious injury. This machine is capable of amputating hands and feet and throwing objects. Failure to observe the following safety instructions could result in serious injury or death.

### California Proposition 65 Warning:



**WARNING:** Engine exhaust, some of its constituents, and certain vehicle components contain or emit chemicals known to the State of California to cause cancer and birth defects or other reproductive harm.

### GENERAL OPERATION

1. Read, understand, and follow all instructions on the machine and in the manual(s) before attempting to assemble and operate. Keep this manual in a safe place for future and regular reference and for ordering replacement parts.
2. Be familiar with all controls and their proper operation. Know how to stop the machine and disengage them quickly.
3. Never allow children under 14 years old to operate this machine. Children 14 years old and over should read and understand the operation instructions and safety rules in this manual and should be trained and supervised by a parent.
4. Never allow adults to operate this machine without proper instruction.
5. To help avoid blade contact or a thrown object injury, keep bystanders, helpers, children and pets at least 75 feet from the machine while it is in operation. Stop machine if anyone enters the area.
6. Thoroughly inspect the area where the equipment is to be used. Remove all stones, sticks, wire, bones, toys, and other foreign objects which could be picked up and thrown by the blade(s). Thrown objects can cause serious personal injury.
7. Plan your mowing pattern to avoid discharge of material toward roads, sidewalks, bystanders and the like. Also, avoid discharging material against a wall or obstruction which may cause discharged material to ricochet back toward the operator.
8. Always wear safety glasses or safety goggles during operation and while performing an adjustment or repair to protect your eyes. Thrown objects which ricochet can cause serious injury to the eyes.
9. Wear sturdy, rough-soled work shoes and close-fitting slacks and shirts. Loose fitting clothes and jewelry can be caught in movable parts. Never operate this machine in bare feet or sandals.
10. Be aware of the mower and attachment discharge direction and do not point it at anyone. Do not operate the mower without the discharge cover or entire grass catcher in its proper place.
11. Do not put hands or feet near rotating parts or under the cutting deck. Contact with the blade(s) can amputate hands and feet.
12. A missing or damaged discharge cover can cause blade contact or thrown object injuries.
13. Stop the blade(s) when crossing gravel drives, walks, or roads and while not cutting grass.
14. Watch for traffic when operating near or crossing roadways. This machine is not intended for use on any public roadway.
15. Do not operate the machine while under the influence of alcohol or drugs.
16. Mow only in daylight or good artificial light.
17. Never carry passengers.
18. Disengage blade(s) before shifting into reverse. Back up slowly. Always look down and behind before and while backing to avoid a back-over accident.
19. Slow down before turning. Operate the machine smoothly. Avoid erratic operation and excessive speed.
20. Disengage blade(s), set parking brake, stop engine and wait until the blade(s) come to a complete stop before removing grass catcher, emptying grass, unclogging chute, removing any grass or debris, or making any adjustments.
21. Never leave a running machine unattended. Always turn off blade(s), place transmission in neutral, set parking brake, stop engine and remove key before dismounting.
22. Use extra care when loading or unloading the machine into a trailer or truck. This unit should not be driven up or down ramp(s), because the unit could tip over, causing serious personal injury. The unit must be pushed manually on ramp(s) to load or unload properly.

23. Muffler and engine become hot and can cause a burn. Do not touch.
24. Check overhead clearances carefully before driving under low hanging tree branches, wires, door openings etc., where the operator may be struck or pulled from the unit, which could result in serious injury.
25. Disengage all attachment clutches, depress the brake pedal completely and shift into neutral before attempting to start engine.
26. Your machine is designed to cut normal residential grass of a height no more than 10". Do not attempt to mow through unusually tall, dry grass (e.g., pasture) or piles of dry leaves. Dry grass or leaves may contact the engine exhaust and/or build up on the mower deck presenting a potential fire hazard.
27. Use only accessories and attachments approved for this machine by the machine manufacturer. Read, understand and follow all instructions provided with the approved accessory or attachment.
28. Data indicates that operators, age 60 years and above, are involved in a large percentage of riding mower-related injuries. These operators should evaluate their ability to operate the riding mower safely enough to protect themselves and others from serious injury.
29. If situations occur which are not covered in this manual, use care and good judgment. Contact an authorized MTD Service Dealer for assistance.

## **SLOPE OPERATION**

Slopes are a major factor related to loss of control and tip-over accidents which can result in severe injury or death. All slopes require extra caution. If you cannot back up the slope or if you feel uneasy on it, do not mow it.

For your safety, use the slope gauge included as part of this manual to measure slopes before operating this unit on a sloped or hilly area. If the slope is greater than 15 degrees as shown on the slope gauge, do not operate this unit on that area or serious injury could result.

### **DO:**

1. Mow up and down slopes, not across. Exercise extreme caution when changing direction on slopes.
  2. Watch for holes, ruts, bumps, rocks, or other hidden objects. Uneven terrain could overturn the machine. Tall grass can hide obstacles.
  3. Use slow speed. Choose a low enough speed setting so that you will not have to stop or shift while on the slope. Tires may lose traction on slopes even though the brakes are functioning properly. Always keep machine in gear when going down slopes to take advantage of engine braking action.
4. Follow the manufacturer's recommendations for wheel weights or counterweights to improve stability.
  5. Use extra care with grass catchers or other attachments. These can change the stability of the machine.
  6. Keep all movement on the slopes slow and gradual. Do not make sudden changes in speed or direction. Rapid engagement or braking could cause the front of the machine to lift and rapidly flip over backwards which could cause serious injury.
  7. Avoid starting or stopping on a slope. If tires lose traction, disengage the blade(s) and proceed slowly straight down the slope.

### **DO NOT:**

1. Do not turn on slopes unless necessary; then, turn slowly and gradually downhill, if possible.
2. Do not mow near drop-offs, ditches or embankments. The mower could suddenly turn over if a wheel is over the edge of a cliff, ditch, or if an edge caves in.
3. Do not try to stabilize the machine by putting your foot on the ground.
4. Do not use a grass catcher on steep slopes.
5. Do not mow on wet grass. Reduced traction could cause sliding.
6. Do not shift to neutral and coast downhill. Over-speeding may cause the operator to lose control of the machine resulting in serious injury or death.
7. Do not tow heavy pull behind attachments (e.g. loaded dump cart, lawn roller, etc.) on slopes greater than 5 degrees. When going down hill, the extra weight tends to push the tractor and may cause you to lose control. (e.g. tractor may speed up, braking and steering ability are reduced, attachment may jack-knife and cause tractor to overturn).

## **CHILDREN**

1. Tragic accidents can occur if the operator is not alert to the presence of children. Children are often attracted to the machine and the mowing activity. They do not understand the dangers. Never assume that children will remain where you last saw them.
  - a. Keep children out of the mowing area and in watchful care of a responsible adult other than the operator.
  - b. Be alert and turn machine off if a child enters the area.
  - c. Before and while backing, look behind and down for small children.
  - d. Never carry children, even with the blade(s) shut off. They may fall off and be seriously injured or interfere with safe machine operation.

- e. Use extreme care when approaching blind corners, doorways, shrubs, trees or other objects that may block your vision of a child who may run into the machine.
  - f. **To avoid back-over accidents, always disengage the cutting blade(s) before shifting into reverse. The “Reverse Caution Mode” should not be used when children or others are around.**
  - g. Keep children away from hot or running engines. They can suffer burns from a hot muffler.
  - h. Remove key when machine is unattended to prevent unauthorized operation.
9. Never allow children under 14 years old to operate the machine. Children 14 years old and over should read and understand the operation instructions and safety rules in this manual and should be trained and supervised by a parent.

## TOWING

1. Tow only with a machine that has a hitch designed for towing. Do not attach towed equipment except at the hitch point.
2. Follow the manufacturers recommendation for weight limits for towed equipment and towing on slopes.
3. Never allow children or others in or on towed equipment.
4. On slopes, the weight of the towed equipment may cause loss of traction and loss of control.
5. Travel slowly and allow extra distance to stop.
6. Do not shift to neutral and coast downhill.

## SERVICE

### SAFE HANDLING OF GASOLINE:

1. **To avoid personal injury or property damage** use extreme care in handling gasoline. Gasoline is extremely flammable and the vapors are explosive. Serious personal injury can occur when gasoline is spilled on yourself or your clothes which can ignite. Wash your skin and change clothes immediately.
  - a. Use only an approved gasoline container.
  - b. Never fill containers inside a vehicle or on a truck or trailer bed with a plastic liner. Always place containers on the ground away from your vehicle before filling.
  - c. When practical, remove gas-powered equipment from the truck or trailer and refuel it on the ground. If this is not possible, then refuel such equipment on a trailer with a portable container, rather than from a gasoline dispenser nozzle.
  - d. Keep the nozzle in contact with the rim of the fuel tank or container opening at all times until fueling is complete. Do not use a nozzle lock-open device.

- e. Extinguish all cigarettes, cigars, pipes and other sources of ignition.
- f. Never fuel machine indoors.
- g. Never remove gas cap or add fuel while the engine is hot or running. Allow engine to cool at least two minutes before refueling.
- h. Never over fill fuel tank. Fill tank to no more than ½ inch below bottom of filler neck to allow space for fuel expansion.
- i. Replace gasoline cap and tighten securely.
- j. If gasoline is spilled, wipe it off the engine and equipment. Move unit to another area. Wait 5 minutes before starting the engine.
- k. To reduce fire hazards, keep machine free of grass, leaves, or other debris build-up. Clean up oil or fuel spillage and remove any fuel soaked debris.
- l. Never store the machine or fuel container inside where there is an open flame, spark or pilot light as on a water heater, space heater, furnace, clothes dryer or other gas appliances.
- m. Allow a machine to cool at least 5 minutes before storing.

### GENERAL SERVICE:

1. Never run an engine indoors or in a poorly ventilated area. Engine exhaust contains carbon monoxide, an odorless, and deadly gas.
2. Before cleaning, repairing, or inspecting, make certain the blade(s) and all moving parts have stopped. Disconnect the spark plug wire and ground against the engine to prevent unintended starting.
3. Periodically check to make sure the blades come to complete stop within approximately (5) five seconds after operating the blade disengagement control. If the blades do not stop within the this time frame, your unit should be serviced professionally by an authorized MTD Service Dealer.
4. Check brake operation frequently as it is subjected to wear during normal operation. Adjust and service as required.
5. Check the blade(s) and engine mounting bolts at frequent intervals for proper tightness. Also, visually inspect blade(s) for damage (e.g., excessive wear, bent, cracked). Replace the blade(s) with the original equipment manufacturer’s (O.E.M.) blade(s) only, listed in this manual. “Use of parts which do not meet the original equipment specifications may lead to improper performance and compromise safety!”
6. Mower blades are sharp. Wrap the blade or wear gloves, and use extra caution when servicing them.
7. Keep all nuts, bolts, and screws tight to be sure the equipment is in safe working condition.

8. Never tamper with the safety interlock system or other safety devices. Check their proper operation regularly.
9. After striking a foreign object, stop the engine, disconnect the spark plug wire(s) and ground against the engine. Thoroughly inspect the machine for any damage. Repair the damage before starting and operating.
10. Never attempt to make adjustments or repairs to the machine while the engine is running.
11. Grass catcher components and the discharge cover are subject to wear and damage which could expose moving parts or allow objects to be thrown.

For safety protection, frequently check components and replace immediately with original equipment manufacturer's (O.E.M.) parts only, listed in this manual. "Use of parts which do not meet the original equipment specifications may lead to improper performance and compromise safety!"

12. Do not change the engine governor settings or over-speed the engine. The governor controls the maximum safe operating speed of the engine.
13. Maintain or replace safety and instruction labels, as necessary.
14. Observe proper disposal laws and regulations for gas, oil, etc. to protect the environment.



**WARNING: YOUR RESPONSIBILITY** Restrict the use of this power machine to persons who read, understand and follow the warnings and instructions in this manual and on the machine.



**⚠ DANGER**

**ROTATING BLADES CAUSE SERIOUS INJURY OR DEATH**

- DO NOT MOW WHEN CHILDREN OR OTHERS ARE AROUND
- NEVER CARRY CHILDREN EVEN WITH BLADE(S) OFF.
- LOOK DOWN AND BEHIND BEFORE AND WHILE BACKING.
- MOWING IN REVERSE IS NOT RECOMMENDED.



**⚠ WARNING**

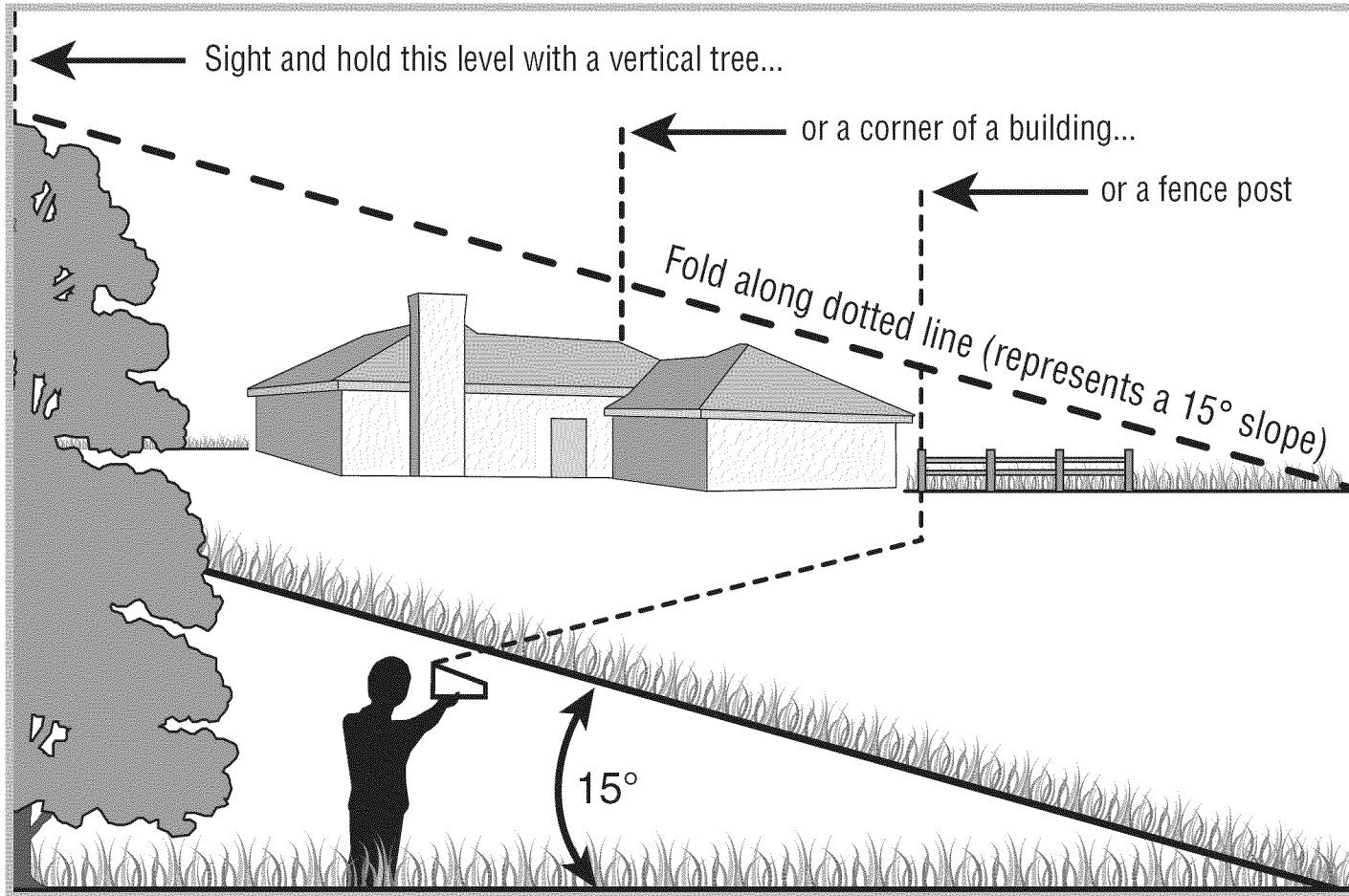
**TO AVOID SERIOUS INJURY OR DEATH**

- GO UP AND DOWN SLOPES, NOT ACROSS.
- AVOID SUDDEN TURNS.
- DO NOT OPERATE THE UNIT WHERE IT COULD SLIP OR TIP.
- IF MACHINE STOPS GOING UPHILL, STOP BLADE(S) AND BACK DOWNHILL SLOWLY.
- KEEP SAFETY DEVICES (GUARDS, SHIELDS, AND SWITCHES, ETC.) IN PLACE AND WORKING.
- REMOVE OBJECTS THAT COULD BE THROWN BY THE BLADE(S).
- KNOW LOCATION AND FUNCTION OF ALL CONTROLS.
- BE SURE BLADE(S) AND ENGINE ARE STOPPED BEFORE PLACING HANDS OR FEET NEAR BLADE(S).
- BEFORE LEAVING OPERATOR'S POSITION, DISENGAGE BLADE(S), ENGAGE PARKING BRAKE, SHUT OFF AND REMOVE KEY.

**READ OPERATOR'S MANUAL**

## SECTION 2: SLOPE GAUGE

Use this page as a guide to determine slopes where you may not operate safely. **Do not operate** your lawn mower on such slopes.



**WARNING**

Do not mow on inclines with a slope in excess of 15 degrees (a rise of approximately 2-1/2 feet every 10 feet). A riding mower could overturn and cause serious injury. If operating a walk-behind mower on such a slope, it is extremely difficult to maintain your footing and you could slip, resulting in serious injury. Operate RIDING mowers up and down slopes, never across the face of slopes.

## SECTION 3: TRACTOR SET-UP

### Attaching the Battery Cables

**NOTE:** The positive battery terminal is marked Pos. (+). The negative battery terminal is marked Neg. (-).

- The positive cable (heavy red wire) is secured to the positive battery terminal (+) with a hex bolt and hex nut at the factory. Make certain that the rubber boot covers the terminal to help protect it from corrosion.
- Remove the hex bolt and wing nut from the negative cable.
- Remove the black plastic cover, if present, from the negative battery terminal and attach the negative cable (heavy black wire) to the negative battery terminal (-) with the bolt and wing nut.
- Make certain the hold-down strap is in position over the battery, securing it in place. See Figure 1.

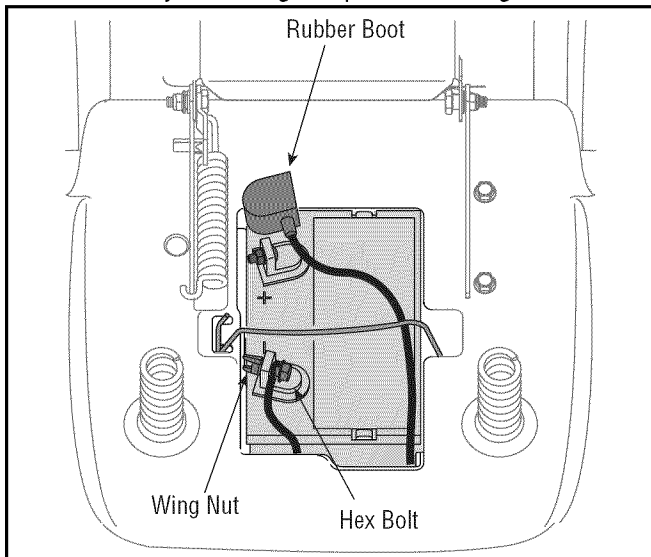


Figure 1

**NOTE:** If the battery is put into service after the date shown on top of battery, charge the battery as instructed on page 19 of this manual prior to operating the tractor.

### Gas and Oil Fill-up

The gasoline tank is located under the hood and has a capacity of either two or three gallons. Do not overfill.



**WARNING:** Use extreme care when handling gasoline. Gasoline is extremely flammable and the vapors are explosive. Never fuel machine indoors or while the engine is hot or running. Extinguish cigarettes, cigars, pipes, and other sources of ignition.

Service the engine with gasoline and oil as instructed in the separate *Briggs & Stratton Operator/Owner Manual* packed with your tractor. Read instructions carefully.

**IMPORTANT:** Your tractor is shipped with motor oil in the engine. However, you **MUST** check the oil level before operating. Be careful not to overfill.

### Shipping Brace Removal



**WARNING:** Make sure the riding mower's engine is off, remove the ignition key, and set the parking brake before removing the shipping brace.

- Locate the shipping brace, if present, and accompanying warning tag found on the right side of the mower, between the discharge chute and the cutting deck. See Figure 2.

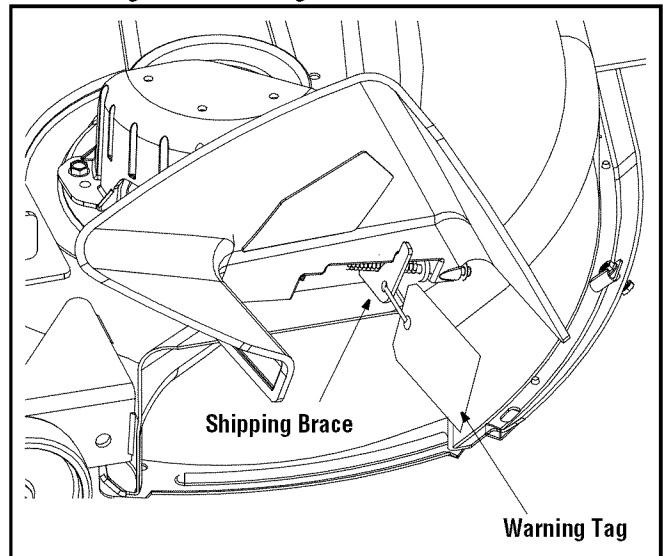


Figure 2

- While holding the discharge chute with your left hand, remove the shipping brace with your right hand by grasping it between your thumb and index finger and rotating it clockwise.



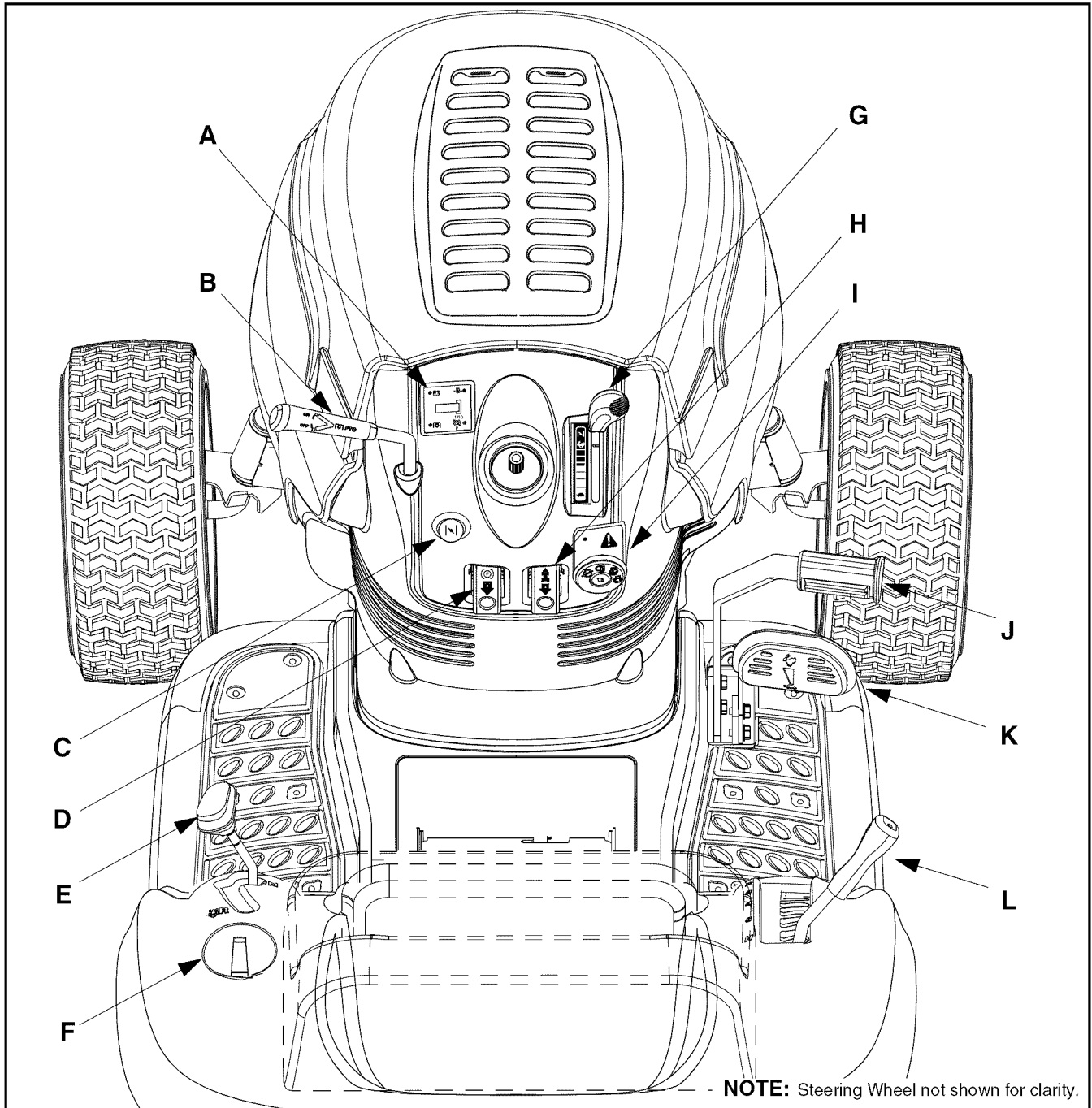
**WARNING:** The shipping brace, used for packaging purposes only, must be removed and discarded before operating your riding mower.



**WARNING:** The mowing deck is capable of throwing objects. Failure to operate the riding mower without the discharge cover in the proper operating position could result in serious personal injury and/or property damage.



## SECTION 4: KNOW YOUR LAWN TRACTOR



**Figure 3**

- |                                    |                                 |
|------------------------------------|---------------------------------|
| <b>A</b> Systems Indicator Monitor | <b>G</b> Throttle Lever         |
| <b>B</b> PTO (Blade Engage) Lever  | <b>H</b> Cruise Control Button  |
| <b>C</b> Choke Knob                | <b>I</b> Ignition Switch Module |
| <b>D</b> Parking Brake Button      | <b>J</b> Brake Pedal            |
| <b>E</b> Shift Lever               | <b>K</b> Drive Pedal            |
| <b>F</b> Cup Holder                | <b>L</b> Deck Lift Lever        |

**NOTE:** Any reference in this manual to the RIGHT or LEFT side of the tractor is observed from operator's position.

## Throttle Control Lever

The throttle control lever is located on the right side of the tractor's dash panel. This lever controls the speed of the engine. When set in a given position, the throttle will maintain a uniform engine speed. See Figure 4.

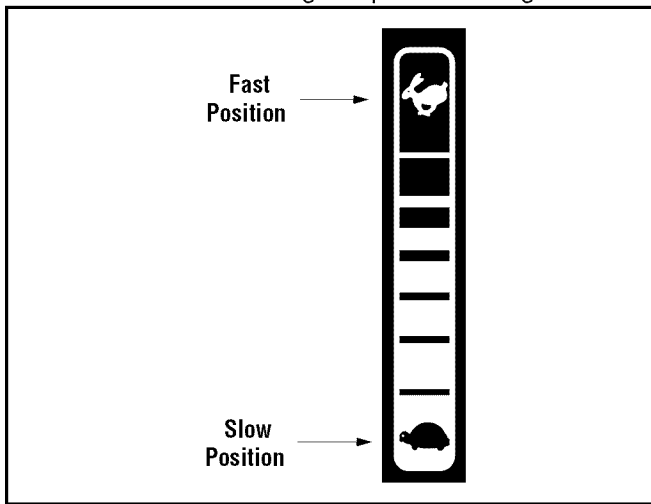
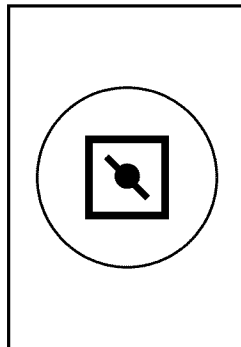


Figure 4

**IMPORTANT:** When operating the tractor with the cutting deck engaged, be certain that the throttle lever is **always** in the FAST (rabbit) position.

## Choke Control

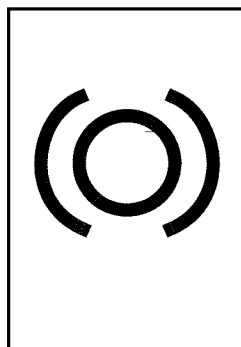
The choke control can be found on the left side of the dash panel and is activated by pulling the knob outward. Activating the choke control closes the choke plate on the carburetor and aids in starting the engine. Refer to **Starting The Engine** on page 14 of this manual for detailed starting instructions.



## Brake Pedal

The brake pedal is located on the right front side of the tractor above the drive pedal along the running board. The brake pedal can be used for sudden stops or setting the parking brake.

**NOTE:** *The brake pedal must be fully depressed to activate the safety interlock switch when starting the tractor.*



## Ignition Switch Module



**WARNING:** Never leave a running machine unattended. Always disengage PTO, move shift lever into neutral position, set parking brake, stop engine and remove key to prevent unintended starting.

To start the engine, insert the key into the ignition switch and turn clockwise to the **START** position. Release the key into the **NORMAL MOWING MODE** position once the engine has fired.

To stop the engine, turn the ignition key counterclockwise to the OFF position. See Figure 5.

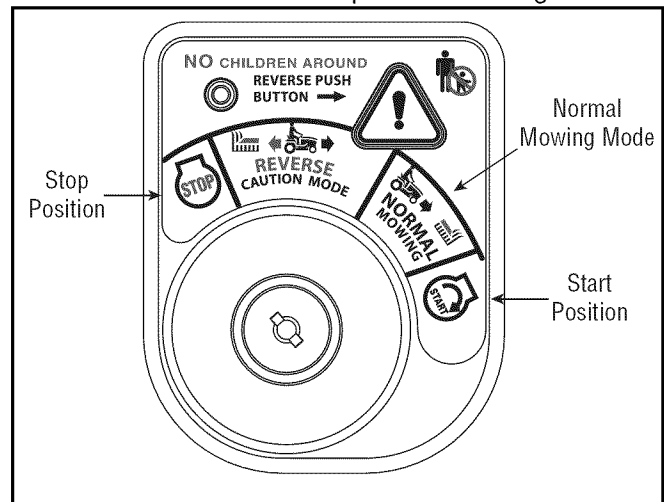


Figure 5

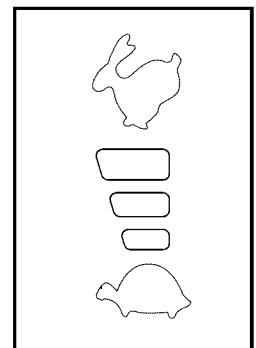
**IMPORTANT:** Prior to operating the tractor, refer to both **Safety Interlock Switches** on page 13 and **Starting The Engine** on page 14 of this manual for detailed instructions regarding the Ignition Switch Module and operating the tractor in **REVERSE CAUTION MODE**.

## Drive Pedal

The drive pedal is located below the brake pedal on the right front side of the tractor along the running board. Depress the drive pedal with your right foot when the tractor shift lever is in either FORWARD or REVERSE to cause the tractor to move.

Ground speed is also controlled with the drive pedal. The further down the pedal is depressed, the faster the tractor will travel. The pedal will return to its original position when it's not depressed.

**IMPORTANT:** Always set the parking brake when leaving the tractor unattended.



## Systems Indicator Monitor

Your tractor is equipped with an ammeter as part of its systems indicator monitor. Locate the monitor on the left side of your dash panel and compare it to Figure 6.

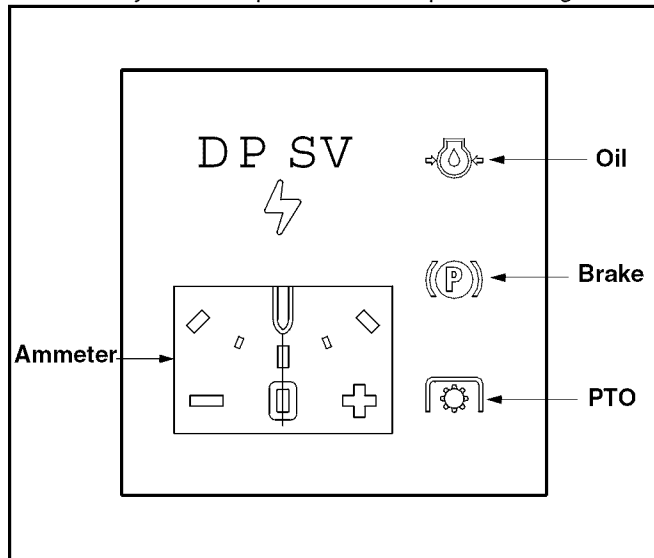


Figure 6

If the Brake light or PTO light illuminates when attempting to start the unit, proceed as follows:

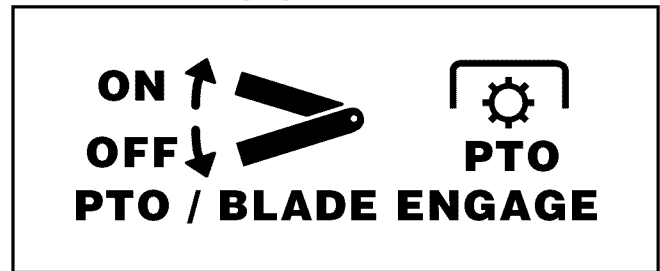
- BRAKE** — Depress the brake pedal.
- PTO** — Move PTO (Blade Engage) lever into the disengaged (OFF) position.

**NOTE:** It is normal for the Oil light and the Battery light to illuminate while the engine is **cranking**, but if either illuminate's **while the engine is running**, proceed as follows:

- OIL**— Stop the tractor immediately and check the crankcase oil level as instructed in the Briggs & Stratton Operator/Owner Manual included with your tractor.
- BATTERY**— The battery is in need of a charge, or the engine's charging system is not generating sufficient amperage. Refer to the **MAINTENANCE** section of this manual for the proper battery charging procedure or have the charging system checked by a Briggs & Stratton engine's dealer.

**The ammeter** measures the electrical output of the engine's charging system. Under normal operating conditions, with the engine at full throttle, the ammeter's needle should measure a positive charge.

## PTO (Blade Engage) Lever



The PTO (Blade Engage) lever is located on the left side of the dashboard next to the steering wheel. Move the PTO (Blade Engage) lever forward to engage the power to the cutting deck or other (separately available) attachments; move the PTO (Blade Engage) lever rearward to disengage the power to the attachments.

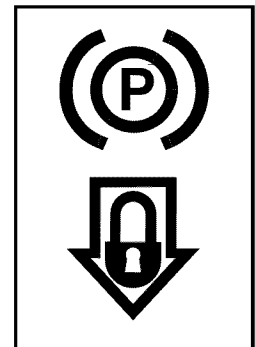
**NOTE:** The PTO (Blade Engage) lever **must** be in the disengaged (OFF) position when starting the engine, when traveling in reverse and if the operator leaves the seat.

## Deck Lift Lever

Found on your tractor's right fender, the deck lift lever is used to change the height of the cutting deck. To use, move the lever to the left, then place in the notch best suited for your application.

## Parking Brake Button

To set the parking brake, fully depress the brake pedal and push the parking brake button in. Hold the button in while taking your foot off the brake pedal. Both the parking button and the brake pedal will then stay depressed. To release the parking brake, depress the brake pedal slightly. The parking brake button will then return to its original position.



**NOTE:** The parking brake must be set if the operator leaves the seat with the engine running or the engine will automatically shut off.

**IMPORTANT:** Always set the parking brake when leaving the tractor unattended.



## WARNING

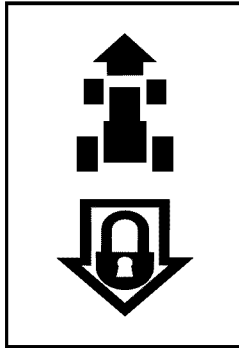
### AVOID SERIOUS INJURY OR DEATH

- GO UP AND DOWN SLOPES, NOT ACROSS.
- AVOID SUDDEN TURNS.
- DO NOT OPERATE THE UNIT WHERE IT COULD SLIP OR TIP.
- IF MACHINE STOPS GOING UPHILL, STOP BLADE(S) AND BACK DOWNHILL SLOWLY.
- DO NOT MOW WHEN CHILDREN OR OTHERS ARE AROUND.
- NEVER CARRY CHILDREN, EVEN WITH BLADES OFF.
- LOOK DOWN AND BEHIND BEFORE AND WHILE BACKING.
- KEEP SAFETY DEVICES (GUARDS, SHIELDS, AND SWITCHES) IN PLACE AND WORKING.
- REMOVE OBJECTS THAT COULD BE THROWN BY THE BLADE(S).
- KNOW LOCATION AND FUNCTION OF ALL CONTROLS.
- BE SURE BLADE(S) AND ENGINE ARE STOPPED BEFORE PLACING HANDS OR FEET NEAR BLADE(S).
- BEFORE LEAVING OPERATOR'S POSITION, DISENGAGE BLADE(S), PLACE THE SHIFT LEVER IN NEUTRAL, ENGAGE BRAKE LOCK, SHUT ENGINE OFF AND REMOVE KEY.

**READ OPERATOR'S MANUAL**

## Cruise Control Button

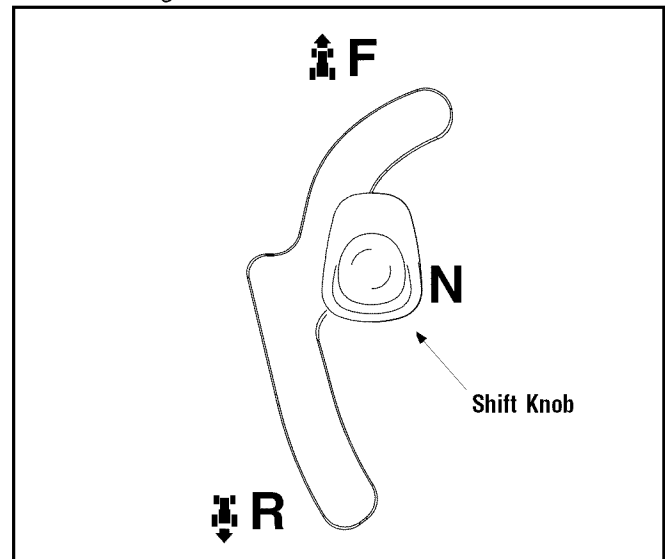
The cruise control button is located on the tractor dash panel to the left of the ignition switch. Push the cruise control button while traveling forward at a desired speed. While holding the button in, release pressure from the drive pedal. This will engage the cruise control and allow the tractor to remain at that speed without applying pressure to the drive pedal. Depress the brake pedal or the drive pedal to deactivate cruise control. Refer to **Setting the Cruise Control** on page 15 this manual for detailed instructions regarding the cruise control feature.



**NOTE:** Cruise control can **NOT** be engaged at the tractor's fastest ground speed. If the operator should attempt to do so, the tractor will automatically decelerate to the fastest optimal mowing ground speed.

## Shift Lever

The shift lever is located on the left side of the fender and has three positions, FORWARD, NEUTRAL and REVERSE. The brake pedal must be depressed and the tractor must not be in motion when the moving shift lever. See Figure 7.



**Figure 7**

**IMPORTANT:** Never force the shift lever. Doing so may result in serious damage to the tractor's transmission.

## SECTION 5: OPERATING YOUR LAWN TRACTOR

### Safety Interlock Switches

This tractor is equipped with a safety interlock system for the protection of the operator. If the interlock system should ever malfunction, do not operate the tractor. Contact an authorized *MTD* service dealer.

- The safety interlock system prevents the engine from cranking or starting unless the parking brake is engaged, and the PTO (Blade Engage) lever is in the disengaged (OFF) position.
- The engine will automatically shut off if the operator leaves the seat before engaging the parking brake.
- The engine will automatically shut off if the operator leaves the tractor's seat with the PTO (Blade Engage) lever in the engaged (ON) position, regardless of whether the parking brake is engaged.
- The engine will automatically shut off if the operator engages the PTO with the parking brake ON.
- With the ignition key in the **NORMAL MOWING** position, the engine will automatically shut off if the PTO (Blade Engage) lever is moved into the engaged (ON) position with the shift lever in Reverse.



**WARNING:** Do not operate the tractor if the interlock system is malfunctioning. This system was designed for your safety and protection.

### Reverse Caution Mode



**WARNING:** Use extreme caution while operating the tractor in the **REVERSE CAUTION MODE**. Always look down and behind before and while backing. Do not operate the tractor when children or others are around. Stop the tractor immediately if someone enters the area.

The **REVERSE CAUTION MODE** position of the key switch module allows the tractor to be operated in reverse with the blades (PTO) engaged.

**IMPORTANT:** *Mowing in reverse is not recommended.*

To use the **REVERSE CAUTION MODE**:

**IMPORTANT:** *The operator MUST be seated in the tractor seat.*

1. Start the engine as previously instructed in this Operator's Manual.
2. Turn the key from the **NORMAL MOWING** (Green) position to the **REVERSE CAUTION MODE** (Yellow) position of the key switch module. See Figure 8.

3. Depress the **REVERSE PUSH BUTTON** (Orange, Triangular Button) at the top, right corner of the key switch module. The red indicator light at the top, left corner of the key switch module will be **ON** while activated. See Figure 8.
4. Once activated (indicator light **ON**), the tractor can be driven in reverse with the cutting blades (PTO) engaged.
5. Always look down and behind before and while backing to make sure no children are around.
6. After resuming forward motion, return the key to the **NORMAL MOWING** position.

**IMPORTANT:** The **REVERSE CAUTION MODE** will remain activated until:

- a. The key is placed in either the **NORMAL MOWING** position or **STOP** position.
- b. The operator engages the parking brake by fully depressing the brake pedal and holding it down while gently pushing the parking brake button inward.

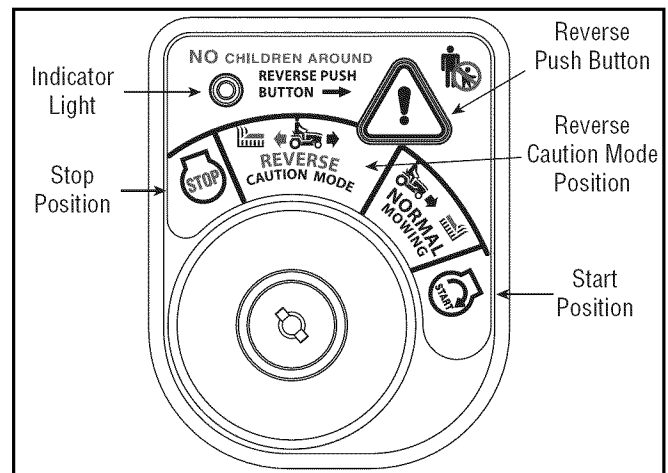


Figure 8

### Engaging the Parking Brake

To engage the parking brake:

- Fully depress the brake pedal and hold it down with your foot while gently pushing the parking brake button inward.
- Hold the parking brake button in while removing your foot from the brake pedal.
- Once engaged, the parking brake button and the brake pedal will lock in the "down" position.

To disengage the parking brake:

- Slightly depress the brake pedal.

**NOTE:** *The parking brake must be engaged if the operator leaves the seat with the engine running or the engine will automatically shut off.*

## Setting the Cutting Height

Select the height position of the cutting deck by placing the deck lift lever in any of the six different cutting height notches on the right side of the fender. Then adjust the deck wheels so that they are between ¼-inch and ½-inch above the ground when the tractor is on a smooth, flat surface such as a driveway.



**WARNING:** Keep hands and feet away from the discharge opening of the cutting deck.

**NOTE:** *The deck wheels are an anti-scalp feature of the deck and are not designed to support the weight of the cutting deck.*

Refer to **Leveling the Deck** on page 16 of this manual for more detailed instructions regarding various deck adjustments.

## Starting the Engine



**WARNING:** Do not operate the tractor if the interlock system is malfunctioning. This system was designed for your safety and protection.

**NOTE:** *Refer to the **TRACTOR SET-UP** on page 8 of this manual for Gasoline and Oil fill-up instructions.*

- Insert the tractor key into the ignition switch.
- Place the PTO (Blade Engage) lever in the disengaged (OFF) position.
- Engage the tractor's parking brake.
- Activate the choke control.
- Turn the ignition key clockwise to the START position. After the engine starts, release the key. It will return to the ON position.

**IMPORTANT:** Do NOT hold the key in the START position for longer than ten seconds at a time. Doing so may cause damage to your engine's electric starter.

- After the engine starts, deactivate the choke control and place the throttle control in the FAST position.

**NOTE:** *Do NOT leave the choke control on while operating the tractor. Doing so will result in a "rich" fuel mixture and cause the engine to run poorly.*

## Stopping the Engine



**WARNING:** If you strike a foreign object, stop the engine, disconnect the spark plug wire(s) and ground against the engine. Thoroughly inspect the machine for any damage. Repair the damage before restarting and operating.

- If the blades are engaged, place the PTO (Blade Engage) lever in the disengaged (OFF) position.
- Turn the ignition key counterclockwise to the **STOP** position.
- Remove the key from the ignition switch to prevent unintended starting.

## Driving The Tractor



**WARNING:** Avoid sudden starts, excessive speed and sudden stops.



**WARNING:** Do not leave the seat of the tractor without first placing the PTO (Blade Engage) lever in the disengaged (OFF) position, depressing the brake pedal and engaging the parking brake. If leaving the tractor unattended, also turn the ignition key off and remove the key.

- Depress the brake pedal to release the parking brake and let the pedal up.
- Move the throttle lever into the FAST (rabbit) position.

**IMPORTANT:** Do NOT use the shift lever to change the direction of travel when the tractor is in motion. Always use the brake pedal to bring the tractor to a complete stop before shifting.

- To move forward, place the shift lever in the FORWARD position, then slowly depress the drive pedal until the desired speed is achieved.
- To move in reverse, place the shift lever in the REVERSE position, check that the area behind is clear then slowly depress the drive pedal.

## Driving On Slopes

Refer to the **SLOPE GAUGE** on page 7 to help determine slopes where you may operate the tractor safely.



**WARNING:** Do not mow on inclines with a slope in excess of 15 degrees (a rise of approximately 2-1/2 feet every 10 feet). The tractor could overturn and cause serious injury.

- Mow up and down slopes, NEVER across.
- Exercise extreme caution when changing direction on slopes.
- Watch for holes, ruts, bumps, rocks, or other hidden objects. Uneven terrain could overturn the machine. Tall grass can hide obstacles.
- Avoid turns when driving on a slope. If a turn must be made, turn down the slope. Turning up a slope greatly increases the chance of a roll over.

- Avoid stopping when driving up a slope. If it is necessary to stop while driving up a slope, start up smoothly and carefully to reduce the possibility of flipping the tractor over backward.

## Setting The Cruise Control

- Place the shift lever in the FORWARD position, then slowly depress the drive pedal until the desired speed is achieved.
- Lightly depress the cruise control button.
- While continuing to hold the cruise button in, lift your foot from the drive pedal (you should feel the cruise latch engage).
- Once engaged, the cruise control button and the drive pedal will lock in the “down” position, and the tractor will maintain the same forward speed.

**NOTE:** *Cruise control can not be engaged at the tractor’s fastest ground speed. If the operator should attempt to do so, the tractor will automatically decelerate to the fastest optimal mowing ground speed.*

Disengage the cruise control using one of the following methods:

- Depress the brake pedal to disengage the cruise control and stop the tractor.
- Lightly depress the drive pedal.

To change to the reverse direction when operating with cruise control, depress the brake pedal to disengage the cruise control and bring the tractor to a complete stop. Then place the shift lever in the REVERSE position and depress the drive pedal.

## Engaging the Blades

Engaging the PTO (Blade Engage) transfers power to the cutting deck or other (separately available) attachments. To engage the blades, proceed as follows:

- Move the throttle control lever to the FAST (rabbit) position.
- Grasp the PTO (Blade Engage) lever and pivot it all the way forward into the engaged (ON) position.
- Keep the throttle lever in the FAST (rabbit) position for the most efficient use of the cutting deck or other (separately available) attachments.

**IMPORTANT:** The engine will automatically shut off if the PTO is engaged with the shift lever in position for reverse travel with the ignition key in the **NORMAL MOWING** position. Refer to **Safety Interlock Switches** on page 13.

## Using the Deck Lift Lever

To raise the cutting deck, move the deck lift lever to the left, then place it in the notch best suited for your application. Refer to **Setting The Cutting Height** earlier in this section.

## Mowing



**WARNING:** To help avoid blade contact or a thrown object injury, keep bystanders, helpers, children and pets at least 75 feet from the machine while it is in operation. Stop machine if anyone enters the area.

The following information will be helpful when using the cutting deck with your tractor.



**WARNING:** Plan your mowing pattern to avoid discharge of materials toward roads, sidewalks, bystanders and the like. Also, avoid discharging material against a wall or obstruction which may cause discharged material to ricochet back toward the operator.

- Do not mow at high ground speed, especially if a mulch kit or grass collector is installed.
- For best results it is recommended that the first two laps be cut with the discharge thrown towards the center. After the first two laps, reverse the direction to throw the discharge to the outside for the balance of cutting. This will give a better appearance to the lawn.
- Do not cut the grass too short. Short grass invites weed growth and yellows quickly in dry weather.
- Mowing should always be done with the engine at full throttle.
- Under heavier conditions it may be necessary to go back over the cut area a second time to get a clean cut.
- Do NOT attempt to mow heavy brush and weeds and extremely tall grass. Your tractor is designed to mow lawns, NOT clear brush.
- Keep the blades sharp and replace the blades when worn. Refer to **Cutting Blades** on page 20 of this manual for proper blade sharpening instructions.

## Headlights

On some models, the lamps are ON whenever the tractor’s engine is running. On other models, the lamps are ON whenever the ignition key is moved out of the STOP position.

On all models, the lamps turn OFF when the ignition key is moved to the STOP position.

## SECTION 6: MAKING ADJUSTMENTS



**WARNING:** Never attempt to make any adjustments while the engine is running, except where specified in the operator's manual.

### Leveling the Deck

**NOTE:** Check the tractor's tire pressure before performing any deck leveling adjustments. Refer to *Tires* on page 19 for information regarding tire pressure.

#### Front To Rear

The front of the cutting deck is supported by a stabilizer bar that can be adjusted to level the deck from front to rear. The front of the deck should be between 1/4-inch and 3/8-inch lower than the rear of the deck. Adjust if necessary as follows:

- With the tractor parked on a firm, level surface, place the deck lift lever in the top notch (highest position) and rotate the blade nearest the discharge chute so that it is parallel with the tractor.
- Measure the distance from the front of the blade tip to the ground and the rear of the blade tip to the ground.
- The first measurement taken should be between 1/4" and 3/8" less than the second measurement. Determine the approximate distance necessary for proper adjustment and proceed, if necessary, to the next step.
- Loosen the two jam nuts, if present, on the rear side of the deck stabilizer bracket.
- Locate the two lock nuts on the front side of the stabilizer bracket. See Figure 9. Tighten the lock nuts to raise the front of the deck; loosen the lock nuts to lower the front of the deck.

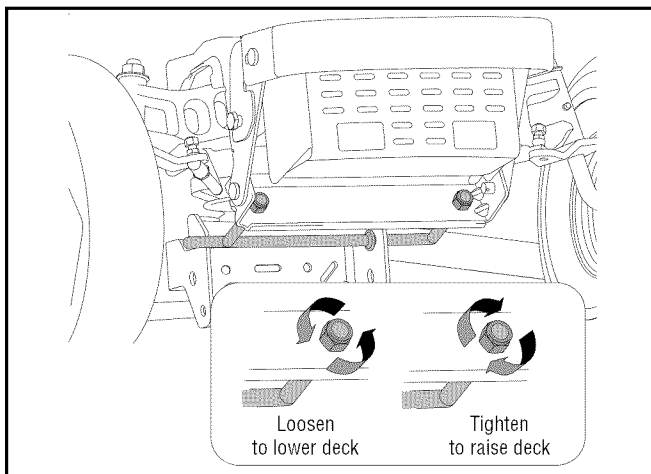


Figure 9

- Retighten the two jam nuts loosened earlier when proper adjustment is achieved.

#### Side to Side

If the cutting deck appears to be mowing unevenly, a side to side adjustment can be performed. Adjust if necessary as follows:

- With the tractor parked on a firm, level surface, place the deck lift lever in the top notch (highest position) and rotate both blades so that they are perpendicular with the tractor.
- Measure the distance from the outside of the left blade tip to the ground and the distance from the outside of the right blade tip to the ground. Both measurements taken should be equal. If they're not, proceed to the next step.
- Loosen, but do NOT remove, the hex cap screw on the left deck hanger bracket. See Figure 10.

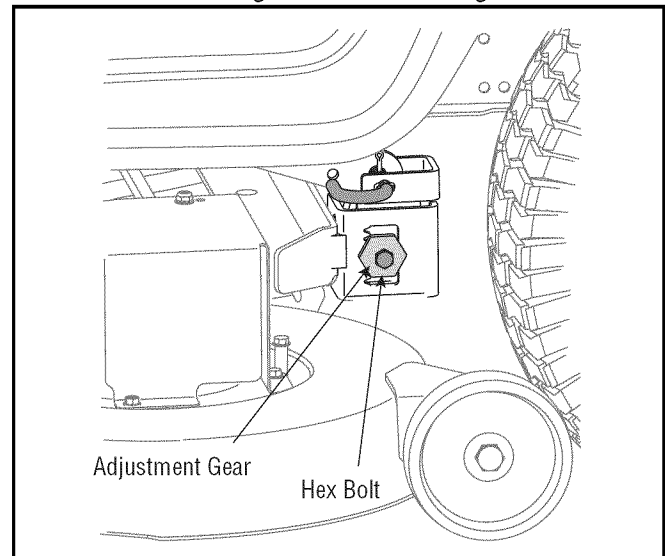


Figure 10

- Balance the deck by using a wrench to turn the adjustment gear (found immediately behind the hex cap screw just loosened) clockwise/up or counterclockwise/down.
- The deck is properly balanced when both blade tip measurements taken earlier are equal.
- Retighten the hex cap screw on the left deck hanger bracket when proper adjustment is achieved.

### Parking Brake Adjustment



**WARNING:** Never attempt to adjust the brakes while the engine is running. Always disengage PTO, move shift lever into neutral position, stop engine and remove key to prevent unintended starting.



If the tractor does not come to a complete stop when the brake pedal is completely depressed, or if the tractor's rear wheels can roll with the parking brake applied, the brake is in need of adjustment. The brake disc can be found on the right side of the transmission in the rear of the tractor. Adjust if necessary as follows:

- Looking at the transmission from the right side of the tractor, locate the compression spring and brake disc. See Figure 11.

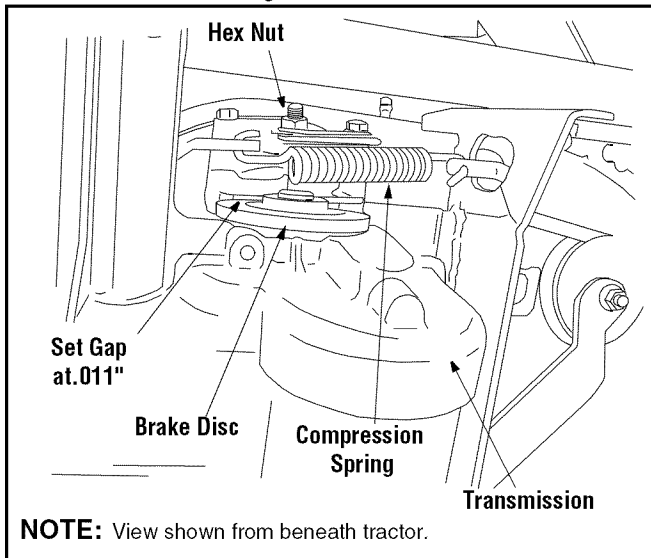


Figure 11

- Loosen, but do NOT remove, the hex nut found on the right side of the brake assembly. See Figure 11.
- Using a feeler gauge, set the gap between the brake disc and the brake puck at .011".
- Re-tighten the hex nut loosened earlier.

## Seat Adjustment

To adjust the position of the seat, loosen the two hex screws on the bottom of the seat. Slide the seat forward or backward as desired. Retighten the two screws. See Figure 12.

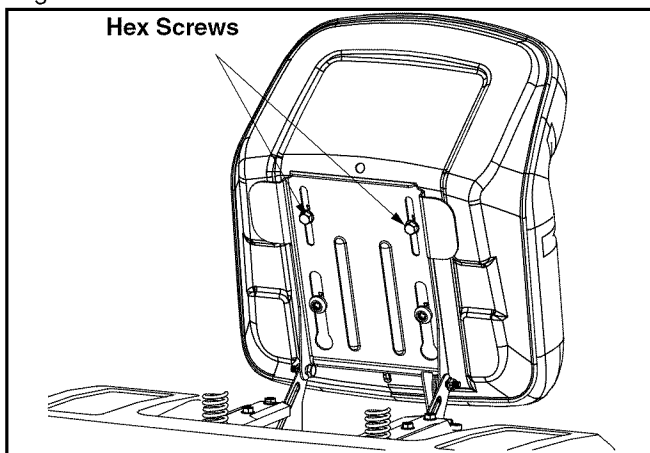


Figure 12

## Steering Adjustment

If the tractor turns tighter in one direction than the other, or if the ball joints are being replaced due to damage or wear, the steering drag links may need to be adjusted.

Adjust the drag links so that equal lengths are threaded into the ball joint on the left side and the ball joint on the right side:

- Loosen the jam nut found on the drag link at the rear of the ball joint. See Figure 13.

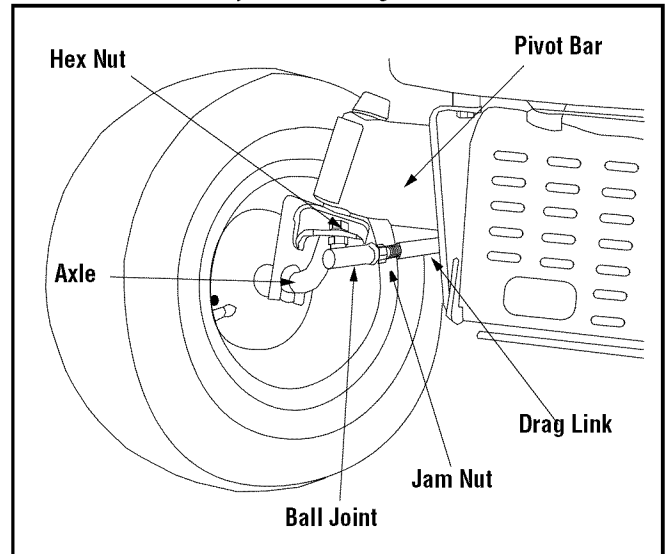


Figure 13

- Remove the hex nut on the top of ball joint. See Figure 13.
- Thread the ball joint toward the jam nut to shorten the drag link. Thread the ball joint away from the jam nut to lengthen the drag link.
- Replace hex nut and retighten the jam nut after proper adjustment is achieved.

**NOTE:** Threading the ball joints too far onto the drag links will cause the front tires to "toe-in" too far. Proper toe-in is between 1/16" and 5/16".

Front tire toe-in can be measured as follows:

- Place the steering wheel in position for straight ahead travel.
- In front of the axle, measure the distance horizontally from the inside of the left rim to the inside of the right rim. Note the distance.
- Behind the axle, measure the distance horizontally from the inside of the left rim to the inside of the right rim. Note the distance.
- The measurement taken in front of the axle should be between 1/16" and 5/16" less than the measurement taken behind the axle. Adjust if necessary.

## SECTION 7: MAINTAINING YOUR LAWN TRACTOR



**WARNING:** Before performing any maintenance or repairs, disengage PTO, move shift lever into neutral position, set parking brake, stop engine and remove key to prevent unintended starting.

### Engine

Refer to the *Briggs & Stratton Operator/Owner Manual* for engine maintenance instructions.

Check **engine oil level** before each use as instructed in the *Briggs & Stratton Operator/Owner Manual* packed with your unit. **Follow the instructions carefully.**

#### Changing Engine Oil

**NOTE:** Depending on the engine model found on your tractor, it may be necessary to remove the tractor's side panel in order to replace the oil filter (if so equipped).

- Unscrew oil fill cap and remove dipstick from the oil fill tube. See Figure 14.

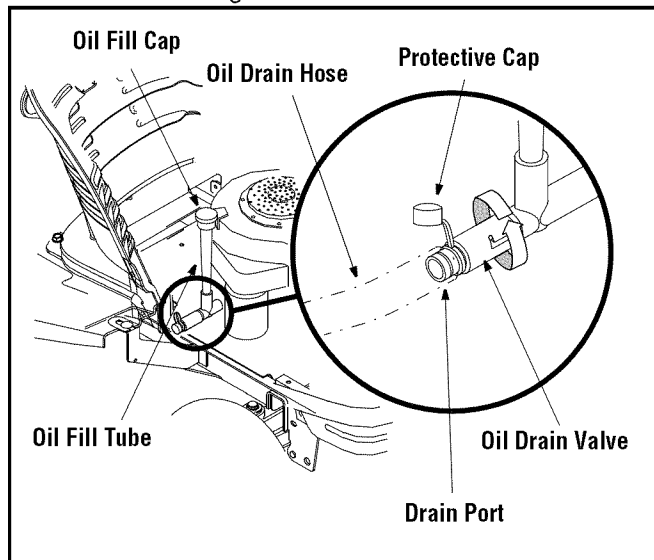


Figure 14

- Pop open the protective cap on the end of the oil drain valve to expose the drain port. See Figure 14.
- Push the oil drain hose (packed with this manual) onto the oil drain port. Route the opposite end of the hose into an appropriate oil collection container with a capacity of no less than 64 oz.
- Push the oil drain valve in slightly, then rotate counterclockwise and pull outward to begin draining oil. See Figure 14.
- Service the **oil filter** (if so equipped) as instructed in the separate *Briggs & Stratton Operator/Owner Manual* packed with your unit.

Perform the above steps in the opposite order after oil has finished draining.

- Refill the engine with new motor oil.

**IMPORTANT:** Refer to the *Briggs & Stratton Operator/Owner Manual* packed with your unit for information regarding the quantity and proper weight of motor oil.

#### Air Cleaner

Service the pre-cleaner, if so equipped, and cartridge/air cleaner element as instructed in the *Briggs & Stratton Operator/Owner Manual* packed with your unit.

#### Spark Plug(s)

The spark plug(s) should be cleaned and the gap reset once a season. Spark plug replacement is recommended at the start of each mowing season. Refer to the *Briggs & Stratton Operator/Owner Manual* for correct plug type and gap specifications.

### Lubrication



**WARNING:** Before lubricating, repairing, or inspecting, always disengage PTO, move shift lever into neutral position, set parking brake, stop engine and remove key to prevent unintended starting.

#### Engine

Lubricate the engine with motor oil as instructed in the *Briggs & Stratton Owner Manual* packed with your unit.

#### Pivot Points & Linkage

Lubricate all the pivot points on the drive system, parking brake and lift linkage at least once a season with light oil.

#### Rear Wheels

The rear wheels should be removed from the axles once a season. Lubricate the axles and the rims well with an all-purpose grease before re-installing them.

#### Front Axles

Each end of the tractor's front pivot bar may be equipped with a grease fitting. Lubricate with a grease gun after every 25 hours of tractor operation.

### Cleaning the Engine And Deck

Any fuel or oil spilled on the machine should be wiped off promptly. Do NOT allow debris to accumulate around the cooling fins of the engine or on any other part of the machine.

**IMPORTANT:** The use of a pressure washer to clean your tractor is NOT recommended. It may cause damage to electrical components, spindles, pulleys, bearings or the engine.

## SECTION 8: SERVICE

### Cutting Deck Removal

To remove the cutting deck, proceed as follows:

- Place the PTO (Blade Engage) lever in the disengaged (OFF) position and engage the parking brake.
- Lower the deck by moving the deck lift lever into the bottom notch on the right fender.
- Remove the PTO belt from around the tractor's engine pulley and idler pulley(s). Refer to **Changing The Deck Belt & PTO Belt** and Figure 18.

**NOTE:** It may be necessary to remove the belt keepers from around the engine pulley, in order to remove the PTO belt.

- Looking at the cutting deck from the left side of the tractor, locate the deck support pin on the rear left side of the deck. See Figure 15.

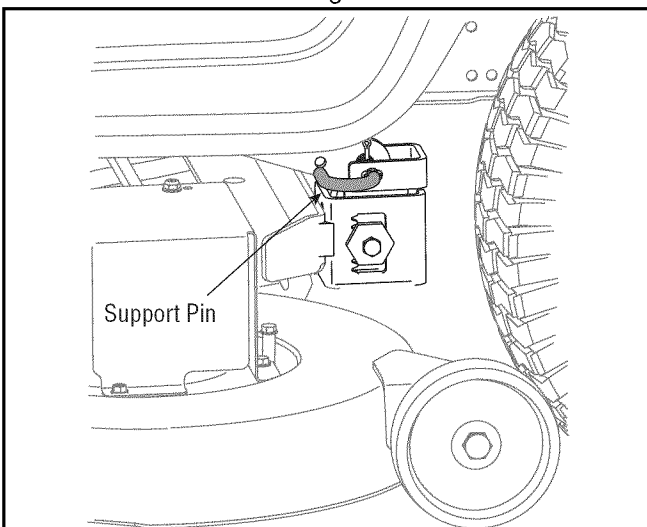


Figure 15

- Pull the deck support pin outward to release the deck from the deck lift arm.
- Rotate the pin slightly toward the rear of the tractor and release the pin into the hole provided.
- Repeat the above steps on the tractor's right side.
- Move the deck lift lever into the top notch on the right fender to raise the deck lift arms up and out of the way.

**NOTE:** This model is equipped with a short cable which controls the deck spindle brake. It is necessary to unhook this cable in order to fully remove the cutting deck from the tractor. Be certain to reattach the cable when re-mounting the cutting deck.

- Gently slide the cutting deck toward the front of the tractor allowing the hooks on the deck to release themselves from the deck stabilizer rod.

- Gently slide the cutting deck (from the right side) out from underneath the tractor.

### Tires



**WARNING:** Never exceed the maximum inflation pressure shown on the sidewall of the tire.

The recommended operating tire pressure is:

- Approximately 10 psi for the rear tires
- Approximately 14 psi for the front tires

**IMPORTANT:** Refer to the tire sidewall for exact tire manufacturer's recommended or maximum psi. Do not overinflate. Uneven tire pressure could cause the cutting deck to mow unevenly.

### Battery

The battery is sealed and is maintenance-free. Acid levels cannot be checked.

- Always keep the battery cables and terminals clean and free of corrosive build-up.
- After cleaning the battery and terminals, apply a light coat of petroleum jelly or grease to both terminals.
- Always keep the rubber boot positioned over the positive terminal to prevent shorting.

**IMPORTANT:** If removing the battery for any reason, disconnect the NEGATIVE (Black) wire from its terminal first, followed by the POSITIVE (Red) wire. When re-installing the battery, always connect the POSITIVE (Red) wire its terminal first, followed by the NEGATIVE (Black) wire. Be certain that the wires are connected to the correct terminals; reversing them could change the polarity and result in damage to your engine's alternating system.

### Charging

If the tractor has not been put into use for an extended period of time, charge the battery with an automotive-type 12-volt charger for a minimum of **one hour at six amps**.



**WARNING:** Batteries give off an explosive gas while charging. Charge battery in a well ventilated area and keep away from an open flame or pilot light as on a water heater, space heater, furnace, clothes dryer or other gas appliances.

## Jump Starting



**WARNING:** When removing or installing the battery, follow these instructions to prevent the screwdriver from shorting against the frame.

**IMPORTANT:** Never jump your tractor's dead battery with the battery of a running vehicle.

- Connect end of one jumper cable to the positive terminal of the good battery, then the other end to the positive terminal of the dead battery.
- Connect the other jumper cable to the negative terminal of the good battery, then to the **frame of the unit with the dead battery**.



**WARNING:** Failure to use this procedure could cause sparking, and the gas in either battery could explode.

## Cleaning

Clean the battery by removing it from the tractor and washing with a baking soda and water solution. If necessary, scrape the battery terminals with a wire brush to remove deposits. Coat terminals and exposed wiring with grease or petroleum jelly to prevent corrosion.

## Battery Failures

Some common causes for battery failure are:

- incorrect initial activation
- undercharging
- overcharging
- corroded connections
- freezing

**These failures are NOT covered by your tractor's warranty.**

## Cutting Blades



**WARNING:** Be sure to shut the engine off, remove ignition key, disconnect the spark plug wire(s) and ground against the engine to prevent unintended starting before removing the cutting blade(s) for sharpening or replacement. Protect your hands by using heavy gloves or a rag to grasp the cutting blade.



**WARNING:** Periodically inspect the blade spindles for cracks or damage, especially if you strike a foreign object. Replace immediately if damaged.

The blades may be removed as follows.

- Remove the deck from beneath the tractor, (refer to **Cutting Deck Removal** on page 19) then gently flip the deck over to expose its underside.

- Place a block of wood between the center deck housing baffle and the cutting blade to act as a stabilizer. See Figure 16.
- Use a 15/16" wrench to remove the hex flange nut that secures the blade to the spindle assembly. See Figure 16.

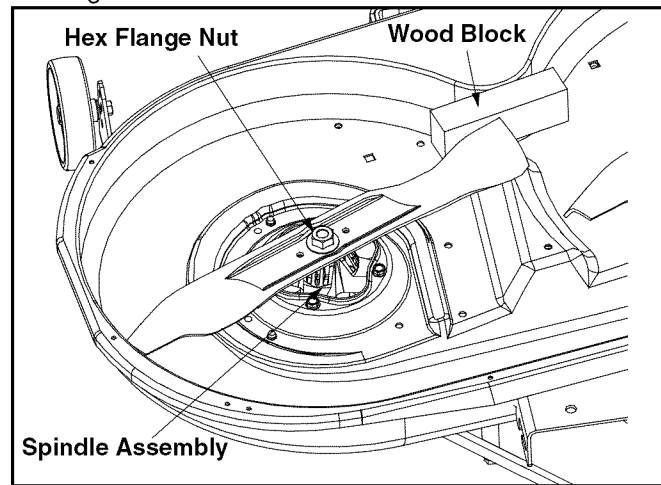


Figure 16

- To properly sharpen the cutting blades, remove equal amounts of metal from both ends of the blades along the cutting edges, parallel to the trailing edge, at a 25° to 30° angle. See Figure 17.

**IMPORTANT:** If the cutting edge of the blade has already been sharpened to within 5/8" of the wind wing radius, or if any metal separation is present, replace the blades with new ones. See Figure 17.

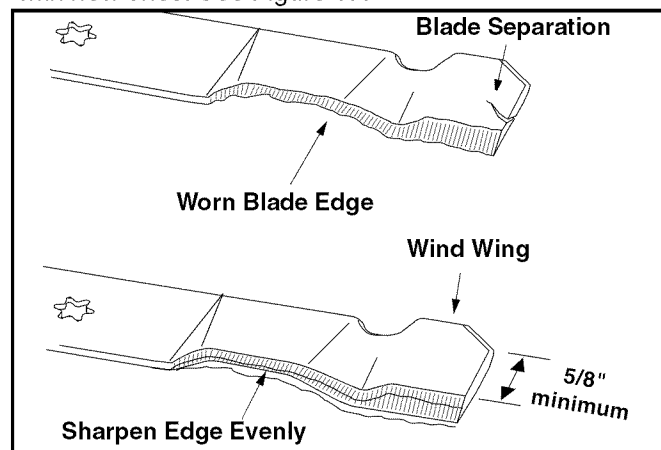


Figure 17

It is important that each cutting blade edge be ground equally to maintain proper blade balance.

A poorly balanced blade will cause excessive vibration and may cause damage to the tractor and result in personal injury. The blade can be tested by balancing it on a round shaft screwdriver. Grind metal from the heavy side until it balances evenly.

When replacing the blade, be sure to install the blade with the side of the blade marked "Bottom" (or with a part number stamped in it) facing the ground when the mower is in the operating position.

**IMPORTANT:** Use a torque wrench to tighten the blade spindle hex flange nut to between 70 foot-pounds and 90 foot-pounds.

## Fuses

Two fuses are installed in your tractor's wiring harness to protect the tractor's electrical system from damage caused by excessive amperage.

If the electrical system does not function, or your tractor's engine will not crank, first check to be certain that the fuse has not blown.

One can be found under the hood mounted behind the top of the dash panel on the support bar. The other can be found under the seat mounted to the inside of the tractor frame next to the battery tray.



**WARNING:** Always use a fuse with the same amperage capacity for replacement.

## Changing the Deck Belt & PTO Belt



**WARNING:** Be sure to shut the engine off, remove ignition key, disconnect the spark plug wire(s) and ground against the engine to prevent unintended starting before removing the belt(s).



**WARNING:** Avoid the possibility of a pinching injury. Do not place your fingers on the idler spring or between the belt and a pulley while removing the belt.

All belts on your tractor are subject to wear and should be replaced if any signs of wear are present.

**IMPORTANT:** The V-belts found on your tractor are specially designed to engage and disengage safely. A substitute (non-OEM) V-belt can be dangerous by not disengaging completely. For a proper working machine, use factory approved belts.

To change or replace the deck belt and PTO belt on your tractor, proceed as follows:

- Lower the deck by moving the deck lift lever into the bottom notch on the right fender.
- Remove the belt guards by removing the self-tapping screws that fasten them to the deck.
- Grasp the rearmost portion of the PTO idler bracket and pivot it toward the discharge chute to relieve tension on the PTO belt.
- Remove the PTO belt from around the engine pulley and the PTO idler pulley(s).
- Grasp the deck idler pulley and pivot it toward the left side of the deck to relieve tension on the deck belt.
- Remove the deck belt from around all pulleys, including the deck idler pulley(s).
- Route the new belt(s) (**deck belt first**) as shown in Figure 18.
- Remount the belt guards removed earlier.

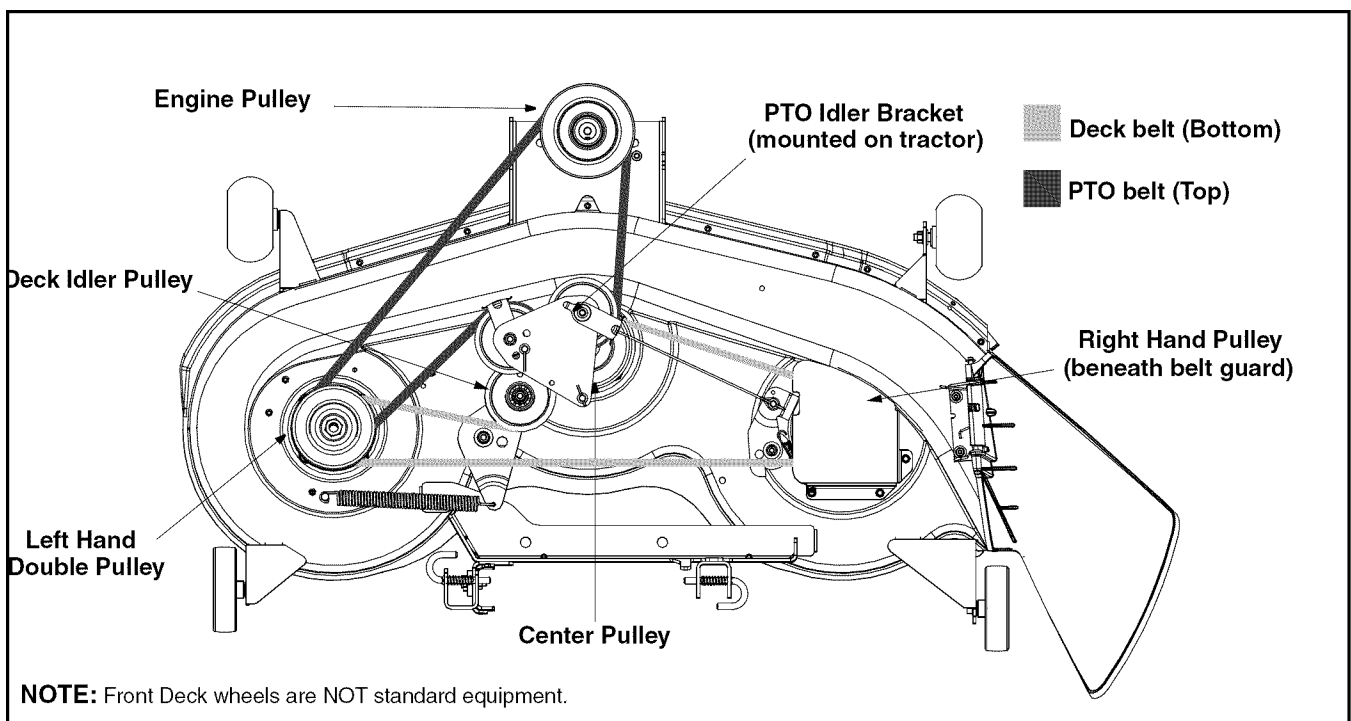


Figure 18

## Changing the Transmission Drive Belts

**NOTE:** Several components must be removed and special tools (i.e. air/impact wrench) in order to change

the tractor's drive belts. See an authorized MTD Service Dealer to have your drive belts replaced or phone Customer Support as instructed on page 2 for information on ordering an MTD Service Manual.

---

## SECTION 9: OFF-SEASON STORAGE

Clean and lubricate the tractor as instructed in **Section 7: MAINTAINING YOUR LAWN TRACTOR** on page 18 of this manual before storing for an extended period.



**WARNING:** Drain fuel only into an approved container outdoors, away from an open flame. Allow engine to cool. Extinguish cigarettes, cigars, pipes, and other sources of ignition prior to draining fuel.

Follow the instructions in the **Service, Storage & Specifications** section of the *Briggs & Stratton* Operator/Owner Manual for proper engine care prior to storing your tractor.



**WARNING:** Never store the machine or fuel container indoors where there is an open flame, spark or pilot light such as on water heater, furnace, clothes dryer or other gas appliance.

---

## SECTION 10: ATTACHMENTS & ACCESSORIES

The following attachments and accessories are compatible for the Model 601 Lawn Tractor. See the retailer from which you purchased your tractor, an authorized *MTD* Service Dealer or phone (800) 800-7310 for information regarding price and availability.

**NOTE:** Model 601 Lawn Tractors are *NOT* designed for use with any type of ground-engaging attachments (e.g. tiller or plow). Use of this type of equipment *WILL* void the tractor's warranty.

MODEL	DESCRIPTION
OEM-190-118	46-inch Deck Mulch Kit
OEM-190-182	FastAttach™ Twin Bagger Grass Collector (for 46-inch Decks)
OEM-190-604	FastAttach™ Yard-Mate™ Storage Container/Toolbox (mounts on rear of tractor)*
OEM-190-607	FastAttach™ Deluxe Tractor Sunshade*
OEM-190-672	FastAttach™ Grille Guard Bumper Kit (mounts on front of tractor)
OEM-190-823	FastAttach™ 42-inch Two-stage Snow Thrower
OEM-190-833	FastAttach™ 46-inch Front Dozer Blade

\* Not compatible with tractors equipped with a Grass Collector

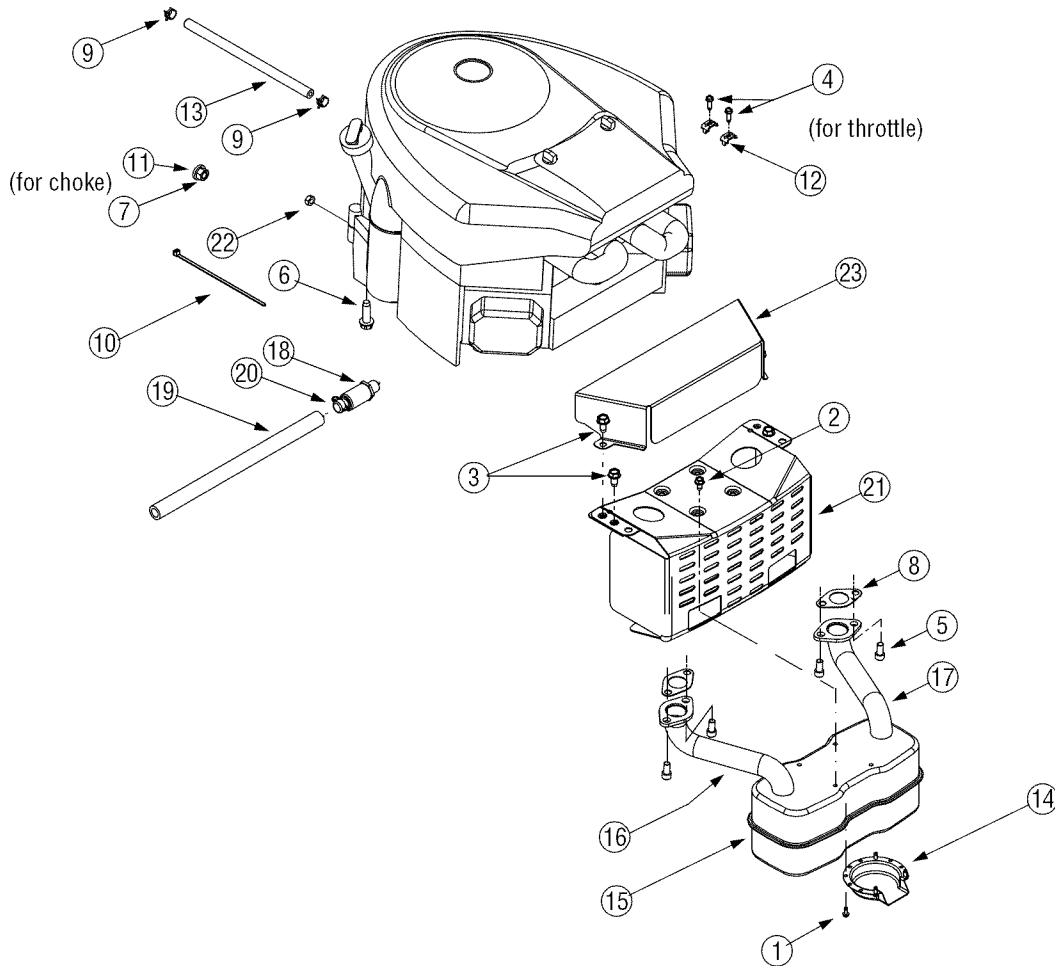
## SECTION 11: TROUBLESHOOTING

<b>Trouble</b>	<b>Possible Cause(s)</b>	<b>Corrective Action</b>
Engine fails to start	PTO engaged. Parking brake not engaged. Spark plug wire(s) disconnected. Throttle control lever not in correct starting position. Choke not activated Fuel tank empty, or stale fuel. Blocked fuel line. Faulty spark plug. Engine flooded.	Place PTO lever in disengaged (OFF) position. Engage parking brake. Connect wire(s) to spark plug(s). Place throttle lever to FAST position.  Pull out the CHOKE control. Fill tank with clean, fresh (less than 30 days old) gas. Clean fuel line or replace fuel filter, if so equipped. Clean, adjust gap or replace plug. Crank engine with throttle in FAST position.
Engine runs erratic	Unit running with CHOKE applied. Spark plug wire(s) loose. Blocked fuel line or stale fuel.  Vent in gas cap plugged. Water or dirt in fuel system.  Dirty air cleaner.	Push in CHOKE control. Connect and tighten spark plug wire(s). Clean fuel line; fill tank with clean, fresh (less than 30 days old) gasoline. Replace fuel filter, if so equipped. Clear vent or replace cap if damaged. Drain fuel tank. Refill with clean, fresh (less than 30 days old) gasoline. Replace air cleaner cartridge/element or clean pre-cleaner, if so equipped.
Engine overheats	Engine oil level low. Air flow restricted.	Fill crankcase with proper capacity and weight of oil. Clean grass clippings and debris from around the engine's cooling fins and blower housing.
Engine hesitates at high RPM	Spark plug(s) gap too close.	Remove spark plug(s) and reset the gap.
Idles poorly	Spark plug(s) fouled, faulty or gap too wide. Dirty air cleaner.	Replace spark plug(s). Set plug(s) gap.  Replace air cleaner cartridge/element or clean pre-cleaner, if so equipped.
Excessive vibration	Cutting blade loose or unbalanced. Damaged or bent cutting blade.	Tighten blade and spindle. Balance blade. Replace blade.
Mower will not mulch grass	Engine speed too low. Wet grass. Excessively high grass.  Dull blade.	Place throttle control in FAST (rabbit) position. Do not mow when grass is wet; wait until later to cut. Mow once at a high cutting height, then mow again at desired height or make a narrower cutting swath. Sharpen or replace blade.
Uneven cut	Deck not balanced properly. Dull blade. Uneven tire pressure.	Perform side-to-side deck adjustment. Sharpen or replace blade. Check tire pressure in all four tires.

## NOTES



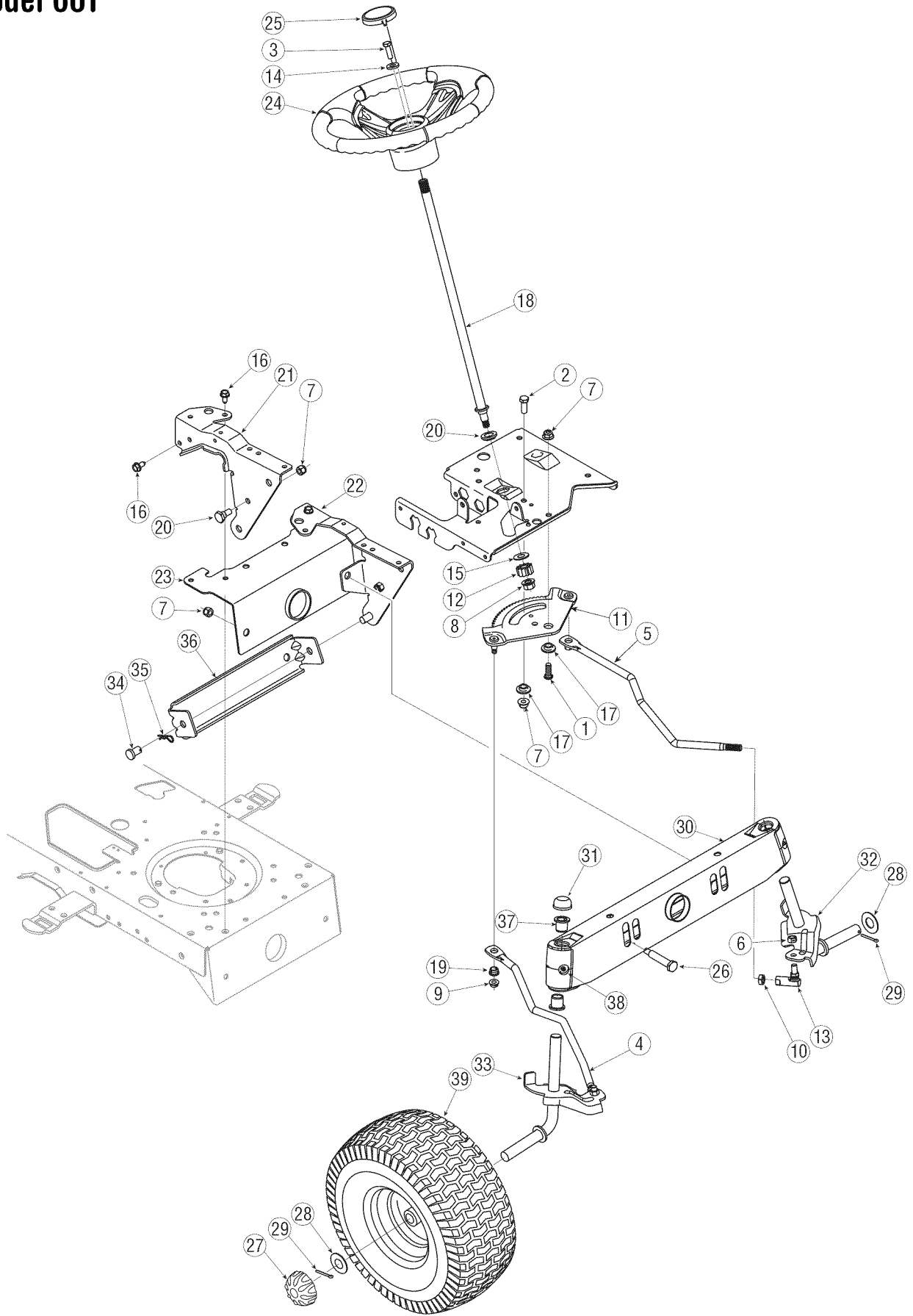
## SECTION 12: ILLUSTRATED PARTS LIST



REF. NO.	PART NO.	DESCRIPTION	REF. NO.	PART NO.	DESCRIPTION
1	710-0227	Screw, #8-18 x.50	13	751-0535	Fuel Line Hose
2	710-0599	Screw, 1/4-20 x.50	14	751-0564A	Muffler Deflector
3	710-0726	Screw, 5/16-18 x.750	15	751-0616A	Muffler, Twin Inlet
4	710-1237	Screw, #10-32 x.625	16	751-0650B	RH Exhaust Pipe
5	710-1314A	Socket Cap Screw, 5/16-18 x.625	17	751-0651B	LH Exhaust Pipe
6	710-1315	Self-tapping Screw, 3/8-16 x 1.25	18	751-3140	Oil Drain Valve
7	712-3005	Flange Lock Nut, 3/8-16	19	751-3141	Oil Drain Hose
8	721-0460	Exhaust Gasket	20	751-3142	Oil Drain Cap
9	726-0205	Hose Clamp	21	783-0615D	Muffler Bracket
10	725-0157	Cable Tie	22	712-0271	Sems Nut, 1/4-20
11	736-0300	Lock Washer, .406 x.875 x.059	23	783-0625C	Heat Shield
12	751B221535	Casing Clamp			

**NOTE:** Tractor features vary by model. NOT all parts listed and pictured above are standard equipment.

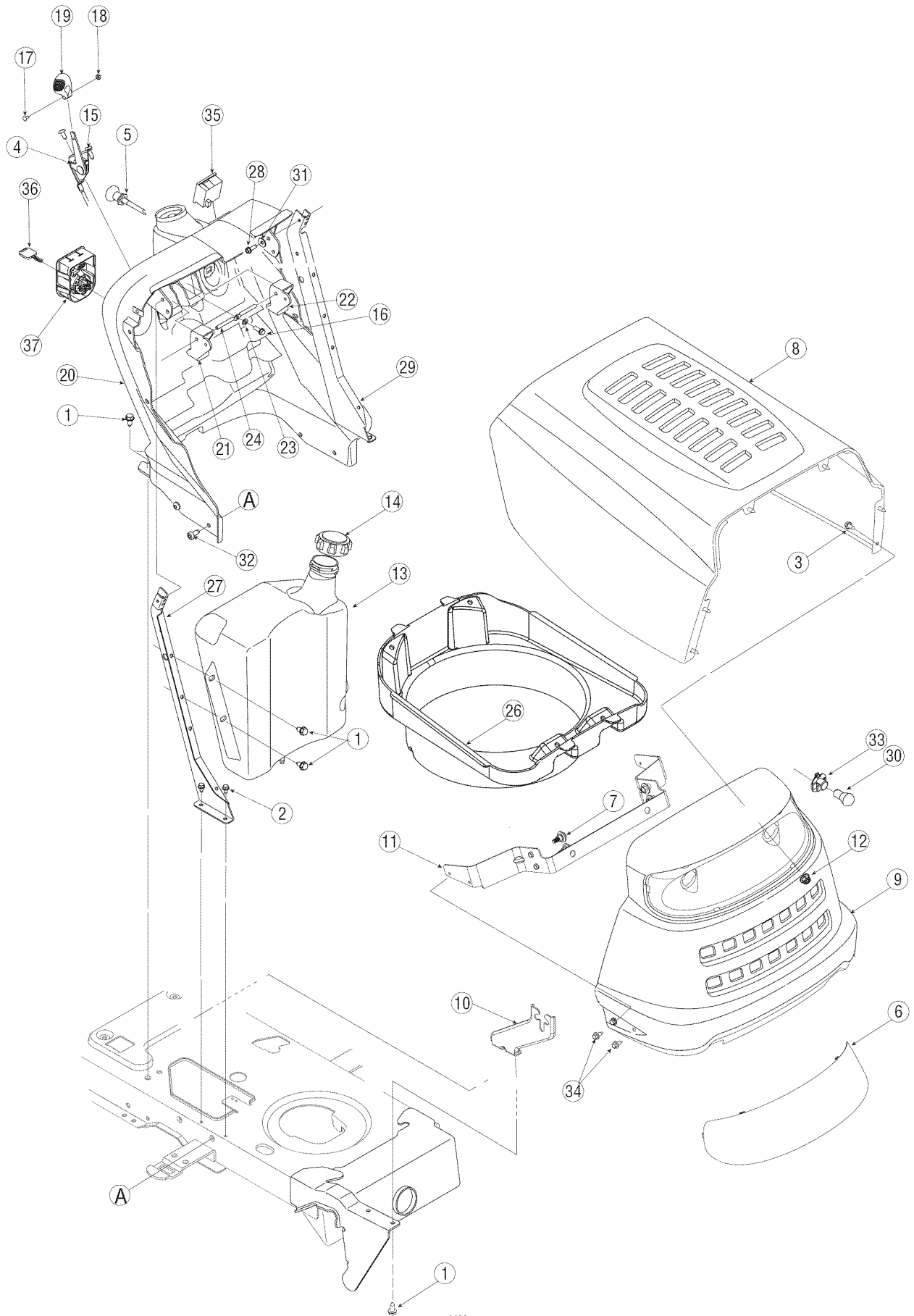
# Model 601



# Model 601

REF. NO.	PART NO.	DESCRIPTION
1	710-04095	Hex Screw, 3/8-16, 1.00, Gr5
2	710-0514	Hex Screw, 3/8-16, 1.00, Gr5
3	710-0643	Hex Screw, 5/16-18, 1.00, Gr5
4	711-1408	Link, Drag, RH
5	711-1409A	Link, Drag, LH
6	712-0214	Nut, Hex Lock, 3/8-24
7	712-04065	Nut, Flange Lock, 3/8-16, Grf, Nylon
8	712-0459	Nut, Flange Lock, 7/16-20
9	712-3004A	Nut, Flange Lock, 5/16-18, Gr5
10	712-0240	Nut, Jam, 7/16-20, Gr2
11	717-1550E	Gear, Steering, 11/90 Ratio
12	717-1554	Gear, Pinion, Steering
13	723-0448A	Ball Joint, 7/16-20, Lock
14	736-3004	Washer, Flat,.406 x.875 x.105
15	736-3084	Washer, Flat,.51 x 1.12 x.06
16	710-0726	Screw, 5/16-12, 0.750
17	738-04154	Spacer, Shoulder,.38 x 1.00 x.31
18	738-1001A	Shaft, Steering,.625 OD x 24.25 Lg
19	741-0475	Plastic Bushing.380 ID
20	738-0143	Screw, Shoulder,.498 x.340, 3/8-16
21	783-0726D	Pivot Bracket, Support RH
22	783-0727C	Pivot Bracket, Support LH
23	783-0728	Pivot Bracket, Bar
24	631-04028	Steering Wheel
25	731-04040	Steering Wheel Cap
26	738-1011A	Shoulder Screw,.5 x 2.2, 3/8-16
27	734-2290A	Deluxe Hub Cap
28	736-0316	Flat Washer,.78 x 1.589 x.06
29	714-04039	Cotter Pin, 5/32 x 1.25
30	683-0128B	Pivot Bar
31	726-0341	Push Cap
32	638-04003	LH Axle Assembly,.750
33	638-04004	RH Axle Assembly,.750
34	711-0332	Pin, Clevis,.50 x.78
35	714-04023	Cotter Pin, Internal,.080 x 1.5625
36	783-0720A	Adjustment Bracket, Front
37	741-0660A	Flange Bearing,.760 x.941 x 1.0
38	731-1291A	Pivot Bar Endcap
39	634-04086	Wheel Assembly Complete, 15 x 6
	734-1731	Tire Only, 15 x 6 x 6
	634-04081	Rim Only w/ Valve Stem

# Model 601

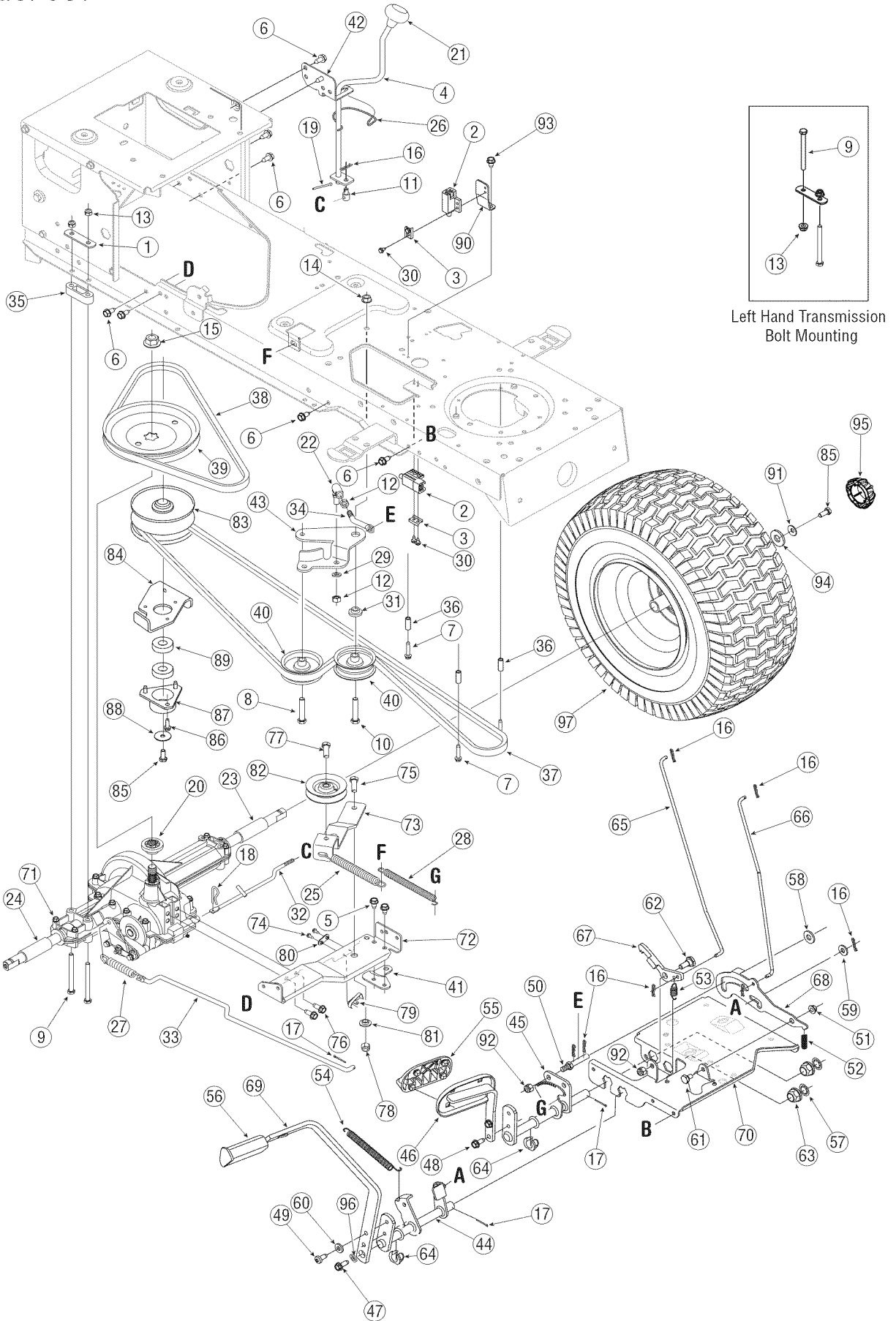


# Model 601

Ref. No.	Part No.	Description	Ref. No.	Part No.	Description
1.	710-0726	Screw, 5/16-12 x.750	21.	731-04215	Cruise Control Button
2.	710-0599	Self-tapping Screw, 1/4-20 x.5	22.	731-04217	Parking Brake Button
3.	710-0751	Hex Cap Screw, 1/4-20 x.62	23.	736-0142	Flat Washer, 9/32 x 1/2 x 1/16
4.	746-1086	Throttle Control/ Cable	24.	747-1196	Brake/Cruise Pivot Rod
5.	746-1085A	Choke Knob/Cable	25.	629-04083†	Headlight Wire Harness
6.	731-04949	Headlight Lens	26.	731-05165	Hood Plenum
7.	738-04091	Shoulder Screw,.43 x.29	27.	783-04285B	RH Dash Support Plate
8.	783-04551	Hood, 1 Style	28.	710-0642	Self-tapping Screw, 1/4-20 x.75
9.	783-04552	Grill, 1 Style	29.	783-04323B	LH Dash Support Plate
10.	783-04578	Pivot Bracket - RH	30.	725-0963	Lamp
	783-04577	Pivot Bracket - LH	31.	736-0270	Bell Washer,.265 x.75 x.062
11.	783-04621	Grill Pivot Bracket	32.	710-1611B	Screw, 5/16-18 x.75
12.	712-04064	Flange Lock Nut, 1/4-20	33.	725-1649	Headlight Socket
13.	751-0658E	Fuel Tank, Three Gallon	34.	710-1652	Hex Index Screw, 1/4-20 x.625
14.	751-0603	Fuel Cap	35.	725-04156	Systems Ind. Monitor w/ Ammeter
15.	710-1017	Screw, 1/4-14 x.625	36.	725-1745	Ignition Key w/ plastic cover
16.	710-0895	Self-tapping Screw, 1/4-15 x.75		725-1744	Ignition Key w/o plastic cover
17.	710-3217	Truss Phillips Screw, #8-32 x.375	37.	725-04227	Ignition Switch
18.	712-0142	Hex Nut, #8-32	—	629-04144†	Jumper Harness
19.	731-1857	Throttle Control Knob	—	629-04103†	Wire Harness
20.	731-05001	Dash Panel			

† Not Shown

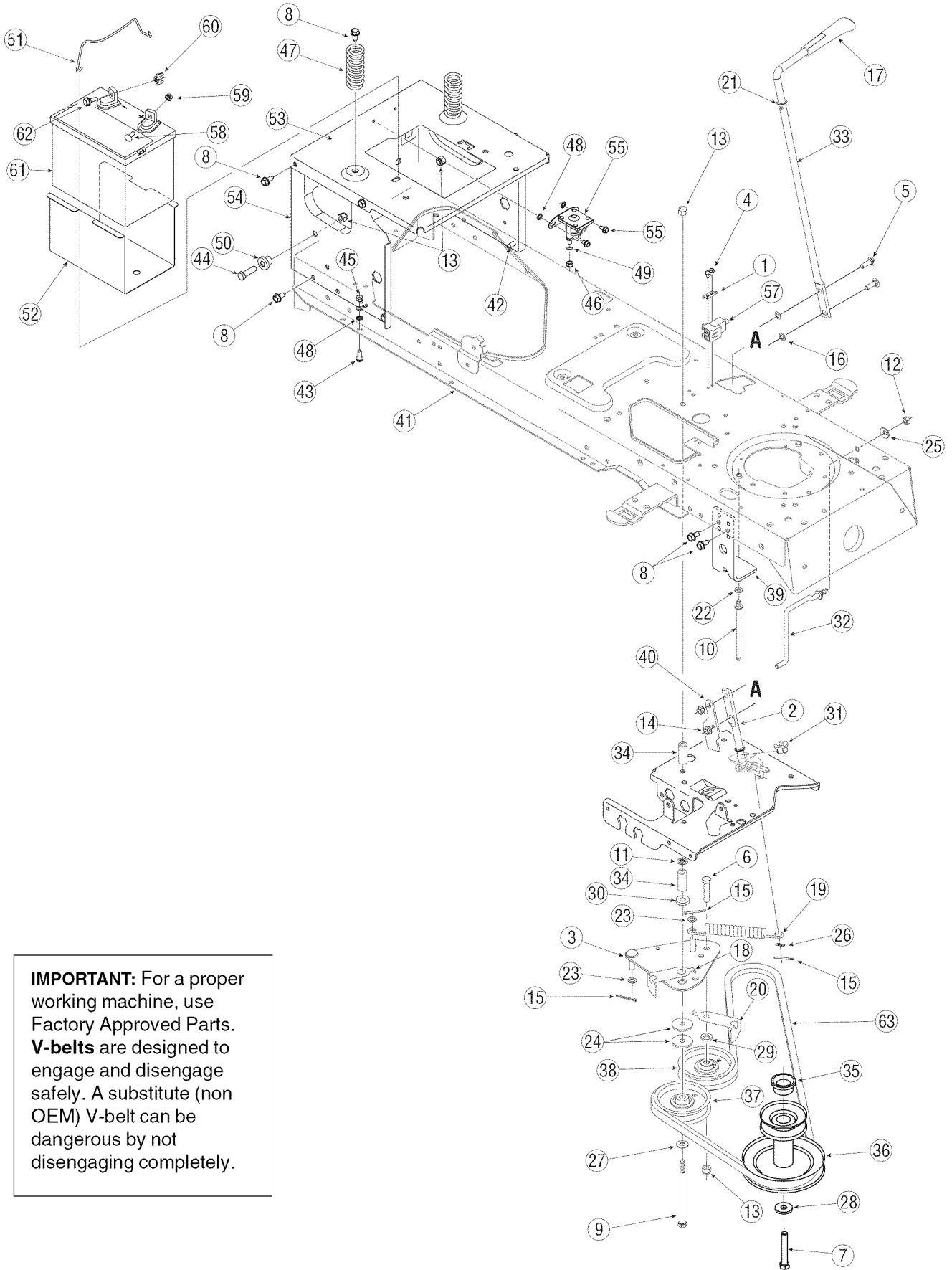
# Model 601



# Model 601

REF. NO.	PART NO.	DESCRIPTION	REF. NO.	PART NO.	DESCRIPTION
1	17840	Mounting Bracket, Transaxle	51	712-3004A	Nut, Flange Lock, 5/16-18, Gr5
2	725-04039	Switch, Interlock	52	732-0335	Spring, Compression,.405 x 1.17
3	17962	Plate, Switch	53	732-0955	Spring, Extension,.50 OD x 1.41
4	647-04020	Lever Assembly, Shift	54	732-0963	Spring, Extension,.50 OD x 6.37
5	710-0607	Screw, 5/16-18, 0.500	55	735-0662	Pad
6	710-0726	Screw, 5/16-12, 0.750	56	735-3049	Pad, Brake
7	710-0809	Screw, 1/4-20, 1.250	57	736-0187	Washer, Flat,.64 x 1.24 x.06, Ht
8	710-1007	Screw, Sems, 3/8-16, 1.500	58	736-0262	Washer, Flat,.385 x.870 x.092
9	710-1266	Screw, 5/16-18, 3.50, Gr5	59	736-0300	Washer, Flat,.406 x.875 x.059
10	710-3144	Screw, 3/8-16, 2.00, Gr5	60	736-3008	Washer, Flat,.344 x.750 x.120
11	711-0736	Adjustment Ferrule 1/4-20 x 1.	61	738-0155	Screw, Shoulder.437 Dia x.162
12	712-0241	Nut, Hex, 3/8-24, Gr5	62	738-0380	Screw, Shoulder,.50 x.27 Lg, 3/8-16
13	712-04063	Nut, Flange Lock, 5/16-18, GrF, Nylon	63	741-0225	Bearing, Hex Flange
14	712-0431	Nut, Flange Lock, 3/8-16, GrF, Nylon	64	741-3065B	Split Bearing, Hex Flange
15	712-0700	Nut, Flange, 9/16-18, Gr2	65	747-04093	Rod, Brake Lock
16	714-0104	Pin, Cotter,.072 Dia. x 1.13	66	747-04096	Rod, Cruise Control
17	714-0111	Pin, Cotter, 3/32, 1.0	67	748-04039B	Latch, Cruise Control
18	714-0209	Cotter Pin, Internal,.125 Dia.	68	683-04186	Bracket, Lockout
19	714-0470	Pin, Cotter, 1/8 x 1.25	69	783-0773A	Ped, Brake
20	718-0758A	Pulley Hub, 5/8 Spline	70	783-04612	Bracket, Steering Support
21	720-04028	Knob, Shift	71	618-04034	Transmission, Single Speed
22	723-3018	Ball Joint	72	683-04055A	Bracket Assembly, Torque
23	731-04602	Sleeve,.758 x.821 x 3.3125	73	683-04130	Bracket, Idler
24	731-04604	Sleeve,.758 x.821 x 2.4375	74	710-0227	Screw, #8-18 x.50
25	732-0384	Spring, Extension,.62 Dia x 6.12	75	710-0514	Screw, 3/8-16, 1.00
26	732-0525	Spring Clip, Shifter	76	710-0604A	Screw, 5/16-18,.625
27	732-0716	Spring, Extension,.59 OD x 4.00	77	710-1315	Screw, 3/8-16, 1.250
28	732-0963	Spring, Extension,.50 Dia x 6.37	78	712-0130	Nut, Lock, 3/8-16, Nylon
29	736-0169	Washer, Lock, 3/8	79	725-1644	Switch Spring, Short
30	710-0224	Screw, #10-16,.50	80	726-0320	Plate, Insulator
31	738-0372B	Spacer, Shoulder, 1.00 x.38 x.38	81	750-04294	Spacer, Shoulder
32	747-04146	Rod, Shift	82	756-0116A	Pulley, V-Type, 3.06
33	747-04164	Rod, Brake	83	656-04015	Pulley Assembly, Variable Speed
34	747-1127	Idler Rod, Adjustable, 3/8	84	683-04129	Bracket, Pulley
35	748-0334	Spacer,.68	85	710-0627	Screw, 5/16-24,.750
36	750-0566A	Spacer,.260 x.372 x 1.030	86	710-0642	Screw, 1/4-20,.750
37	754-0467	Belt, V-Type	87	718-04012	Cup, Bearing
38	754-0468	Belt, V-Type	88	736-0362	Washer, Flat
39	756-04002	Pulley, V-Type, 7.25 Dia.	89	741-0600	Ball Bearing
40	756-0981B	Idler Pulley, Flat 2.75 OD	90	783-04707	Switch Bracket, Parking Brake
41	783-04283	Bracket, Shift	91	736-0242	Washer, Bell,.340 x.872 x.060
42	783-04360	Bracket, Shift, F-N-R	92	712-04065	Nut, Flange Lock, 3/8-16, GrF, Nylon
43	783-04442	Idler Bracket, Center Double	93	710-0599	Screw, 1/4-20 x.500
44	647-0031B	Control Assembly, Brake	94	736-0430	Flat Washer,.350 x 1.59 x.062
45	647-0032A	Control Assembly, Speed	95	731-2290A	Hub Cap
46	683-0266	Pedal Assembly	96	736-0119	Lock Washer, 5/16
47	710-0650	Screw, 5/16-18, 0.875	97	634-0104	Whl Ass'y Comp., 20 x 8 x 8
48	710-1260A	Screw,5/16-18, 0.750		734-1730	Tire Only 20 x 8 x 8
49	710-1611B	Screw, 5/16-18, 0.750		734-0603A	Rim Only w/ Valve Stem
50	711-04159B	Pin, 3/8-16 x 2.68			

# Model 601



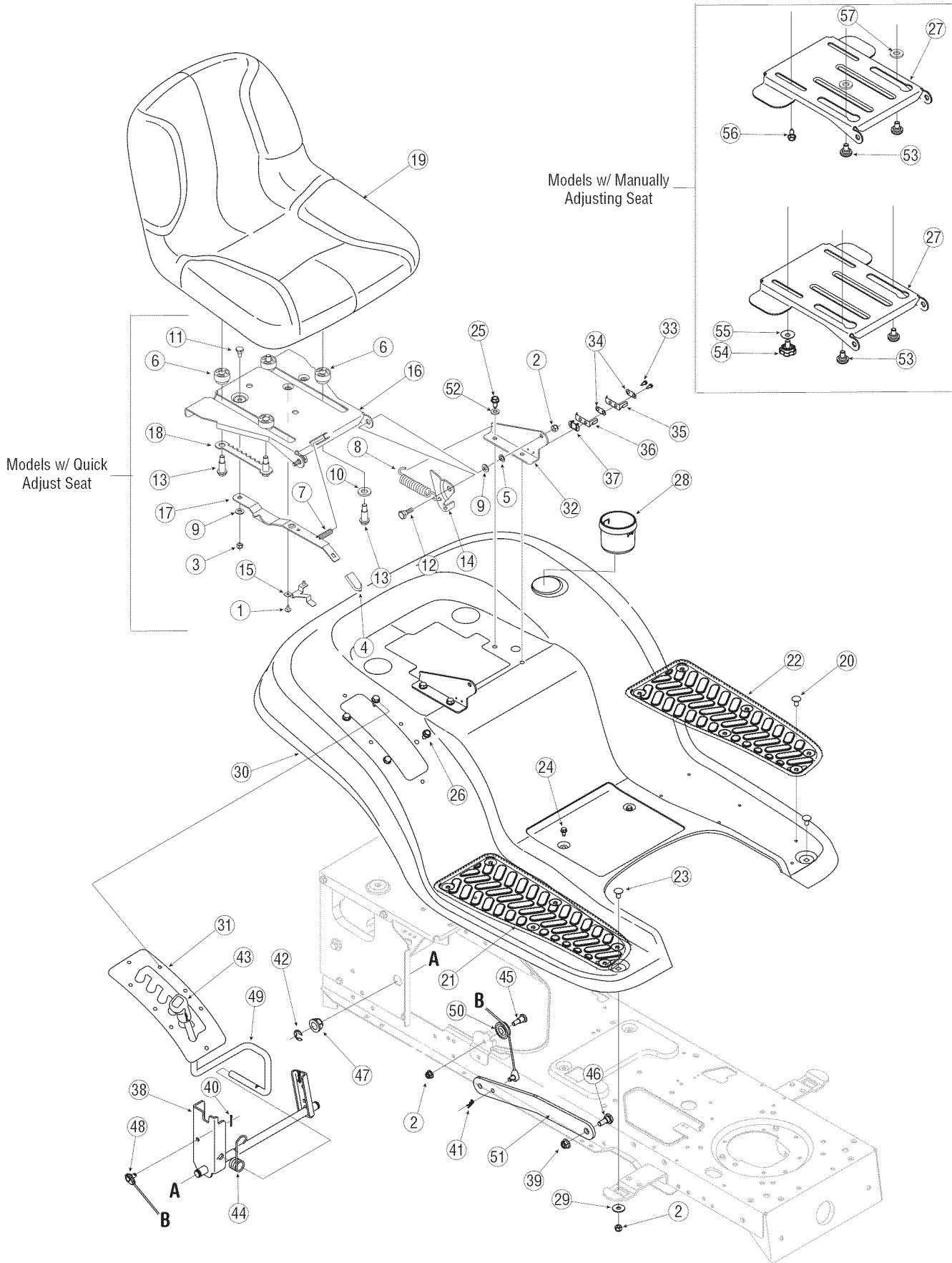
**IMPORTANT:** For a proper working machine, use Factory Approved Parts. **V-belts** are designed to engage and disengage safely. A substitute (non OEM) V-belt can be dangerous by not disengaging completely.



# Model 601

REF. NO.	PART NO.	DESCRIPTION	REF. NO.	PART NO.	DESCRIPTION
1	17962	Plate, Switch	33	747-1112D	Engagement Handle, Deck
2	647-0064	Lever Assembly, Engagement	34	748-0415B	Spacer,.385 ID x.635 OD x 1.54
3	683-0302	Plate Assembly, Engagement	35	750-0956	Spacer, 1.010 x 1.400 x.825
4	710-0224	Screw, #10-16, 0.500	36	756-04142	Pulley, Engine, 3.39 x 6.12 Diameter
5	710-0276	Screw, Carriage, 5/16-18, 1.00	37	756-0487	Pulley, Idler, V-type 5/8 x 4.0 Diameter
6	710-0347	Screw, 3/8-16, 1.75, Gr5	38	756-0627D	Pulley, Idler, 3.50 Diameter
7	710-04377	Screw, 7/16-20, 2.75, Gr5	39	783-04467	Stop Bracket, Deck-Up
8	710-0726	Screw, 5/16-12, 0.750	40	783-0744A	Stop Bracket, Engagement
9	710-0831	Screw, 3/8-16, 5.50, Gr5	41	683-04173	Frame Assembly, Lower
10	711-1044	Pin, Belt Guard, 5/16 x 4.75	42	710-0607	Screw, 5/16-18, 0.500
11	712-0229	Nut, Push, 3/8	43	710-0642	Screw, 1/4-20, 0.750
12	712-04063	Nut, Flange Lock, 5/16-18, GrF, Nylon	44	710-3005	Screw, 3/8-16, 1.25, Gr5
13	712-04065	Nut, Flange Lock, 3/8-16, GrF, Nylon	45	712-04064	Nut, Flange Lock, 1/4-20, GrF, Nylon
14	712-3004A	Nut, Flange Lock, 5/16-18, Gr5	46	712-3006	Nut, Hex, 1/4-20, Gr5
15	714-0470	Pin, Cotter, 1/8 x 1.25	47	732-04035	Spring, Compression, 1.28 OD x 3.125
16	726-0201	Nut, Speed,.3125 ID	48	736-0222	Washer, Lock, 1/4, External
17	731-2111A	Knob, PTO	49	736-0329	Washer, Lock, 1/4
18	732-04245A	Belt Guard	50	738-04058	Spacer, Shoulder,.38 x 1.0 x.70
19	732-0944	Spring, Extension,.75 OD x 6.75	51	747-04121A	Hold Rod, Battery
20	732-1013	Belt Guard	52	783-0349	Battery Tray
21	736-0108	Washer, Flat,.510 x.750 x.033	53	783-04329A	Seat Bracket, Frame
22	736-0119	Washer, Lock, 5/16	54	783-04375A	Frame, Upper
23	736-0140	Washer, Flat,.385 x.62 x.063	55	710-0599	Screw, 1/4-20, 0.50
24	736-0227	Washer, Flat,.390 x 1.500 x.134	56	725-1426A	Solenoid, 12V, 100 Amp
25	736-0242	Washer, Bell,.340 x.872 x.060	57	725-04039	Switch, Interlock
26	736-0275	Washer, Flat,.344 x.688 x.065	58	710-0703	Screw, Carriage, 1/4-20,.75, Gr5
27	736-0300	Washer, Flat,.406 x.875 x.059	59	712-0271	Nut, Sems, 1/4-20
28	736-0322	Washer, Flat,.450 x1.250 x.164	60	712-3087	Nut, Wing, 1/4-20
29	736-3010	Washer, Flat,.407 x.812 x.135	61	725-1750A	Battery, 235 CCA
30	738-0372B	Spacer, Shldr, 1.00 x.38 x.38	62	738-1132	Screw, Shoulder,.250 x.150, 1/4-20
31	741-0708	Bearing, Flange, Hex Split.500 ID	63	754-04064	V-Belt, PTO
32	747-04355	Keeper Rod, Belt			

# Model 601

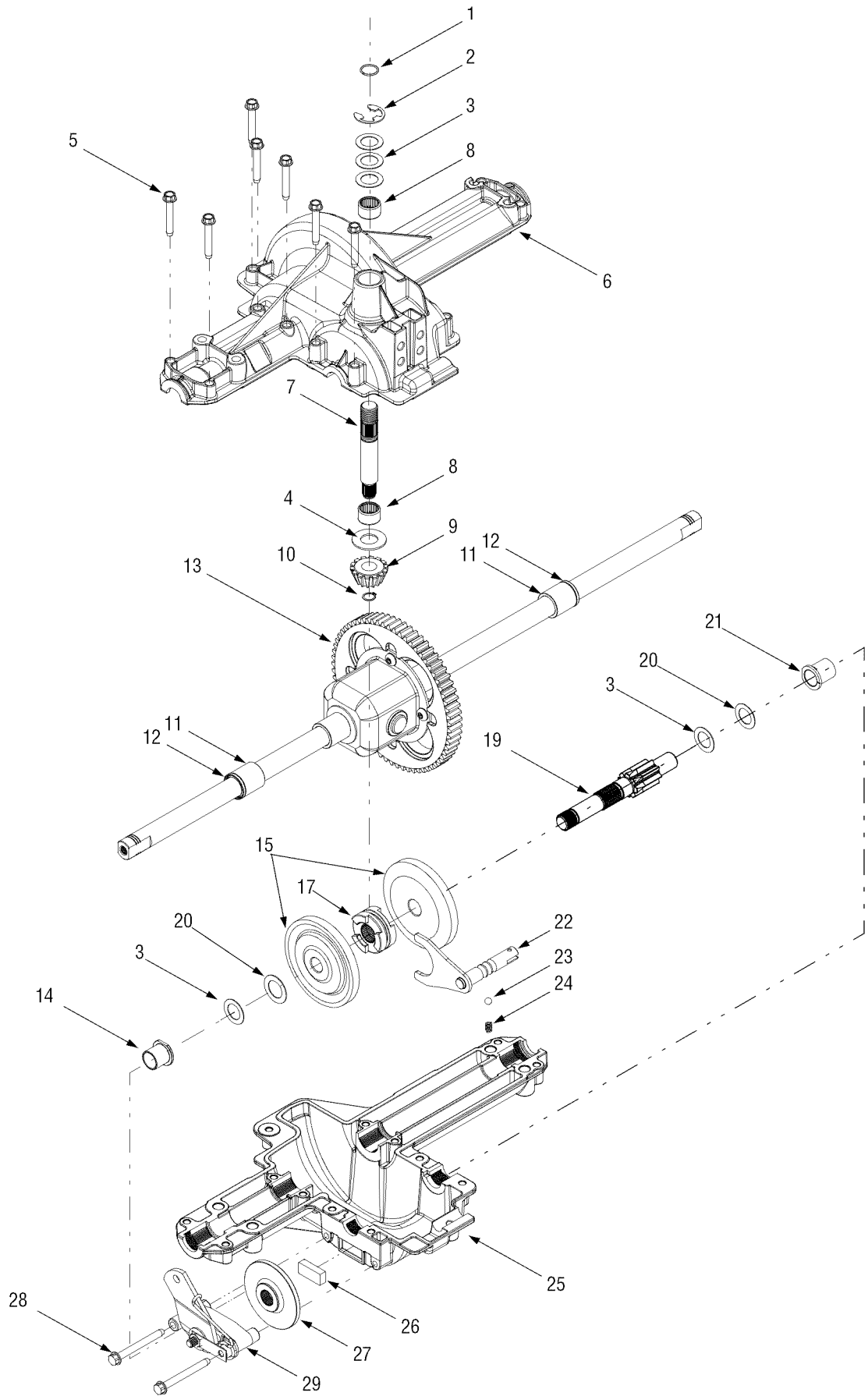


# Model 601

REF. NO.	PART NO.	DESCRIPTION	REF. NO.	PART NO.	DESCRIPTION
1	710-1268	Screw, #10-16 x.375	30	783-04314A	Fender
2	712-04063	Nut, Flange Lock, 5/16-18, GrF, Nylon	31	783-1010A	Plate, Deck Lift
3	712-3027	Nut, Flange Lock, 1/4-20	32	783-1489A	Mounting Bracket, Seat
4	720-0309A	Seat Adjuster Grip	33	710-0227	Screw, #8-18 x.50
5	726-0201	Nut, Speed,.3125 ID	34	726-0279	Plate, Insulator
6	731-04074	Spacer	35	725-1303	Spring Switch, Outer
7	732-0499	Compression Spring,.41 x 1.5	36	725-1439	Spring Switch, Inner
8	732-1184	Spring, Extension,.84 Dia. x 4.6	37	726-0278	Plate, Insulator Boss
9	736-0275	Wash, Flat,.344 x.688 x.065	38	683-04079	Shaft Assembly, Lift
10	736-3019	Wash, Flat,.531x 1.062 x.134	39	712-04065	Nut, Flange Lock, 3/8-16, GrF, Nylon
11	738-0137A	Screw, Shoulder,.340 x.285,1/4-20	40	714-0104	Pin, Cotter,.072 Dia. x 1.13
12	738-0296	Screw, Shoulder,.437 x.268, 5/16-18	41	714-0111	Pin, Cotter, 3/32, 1.0
13	738-0966	Screw, Shoulder,.50 x.925, 3/8-16	42	716-0106A	Ring, E Type,.625 Dia.
14	683-04193	Seat Bracket, Lift	43	720-0311	Grip, Handle, 1/2
15	783-0611	Seat Stop	44	732-0874	Spring, Torsion
16	783-0738B	Seat Pivot Bracket	45	738-0138A	Screw, 5/16-18 x.620 Gr2
17	783-0739A	Seat Adjustment Lever	46	738-0380	Screw, Shld,.50 x.27, 3/8-16
18	783-0753	Seat Adjustment Selector	47	741-0225	Bearing, Hex Flange
19	757-04003	High Back Seat	48	746-0968	Cable, Lift, 16.16
20	726-3046	Ratchet Clip	49	747-04155	Handle, Lift
21	735-0672	RH Foot Pad, Rubber	50	756-1154	Pulley, Roller
22	735-0673	LH Foot Pad, Rubber	51	783-0678A	Arm, Lift
23	710-0451	Bolt, Carriage, 5/16-18,.750, Gr1	52	736-0607	Lock Washer, 5/16
24	710-0599	Screw, 1/4-20, 0.500	53	738-04012	Shoulder Screw
25	710-0726	Screw, 5/16-12, 0.750	54	720-04009	Knob, 3/8-16
26	710-1611B	Screw, 5/16-18 x.750	55	736-0101	Flat Washer,.406 x 1.00 x.030
27	783-04081A	Seat Pivot Bracket, Manually Adjusted	56	710-0870	Hex Head Washer Screw, 3/8-16 x.625
28	731-04591A	Cup Holder	57	736-0335	Thrust Washer,.635 x 1.26 x.06
29	736-3078	Washer, Flat,.344 x 1.0 x.063			

**NOTE:** Tractor features vary by model. NOT all parts listed above and pictured on the previous page are standard equipment.

# Model 601



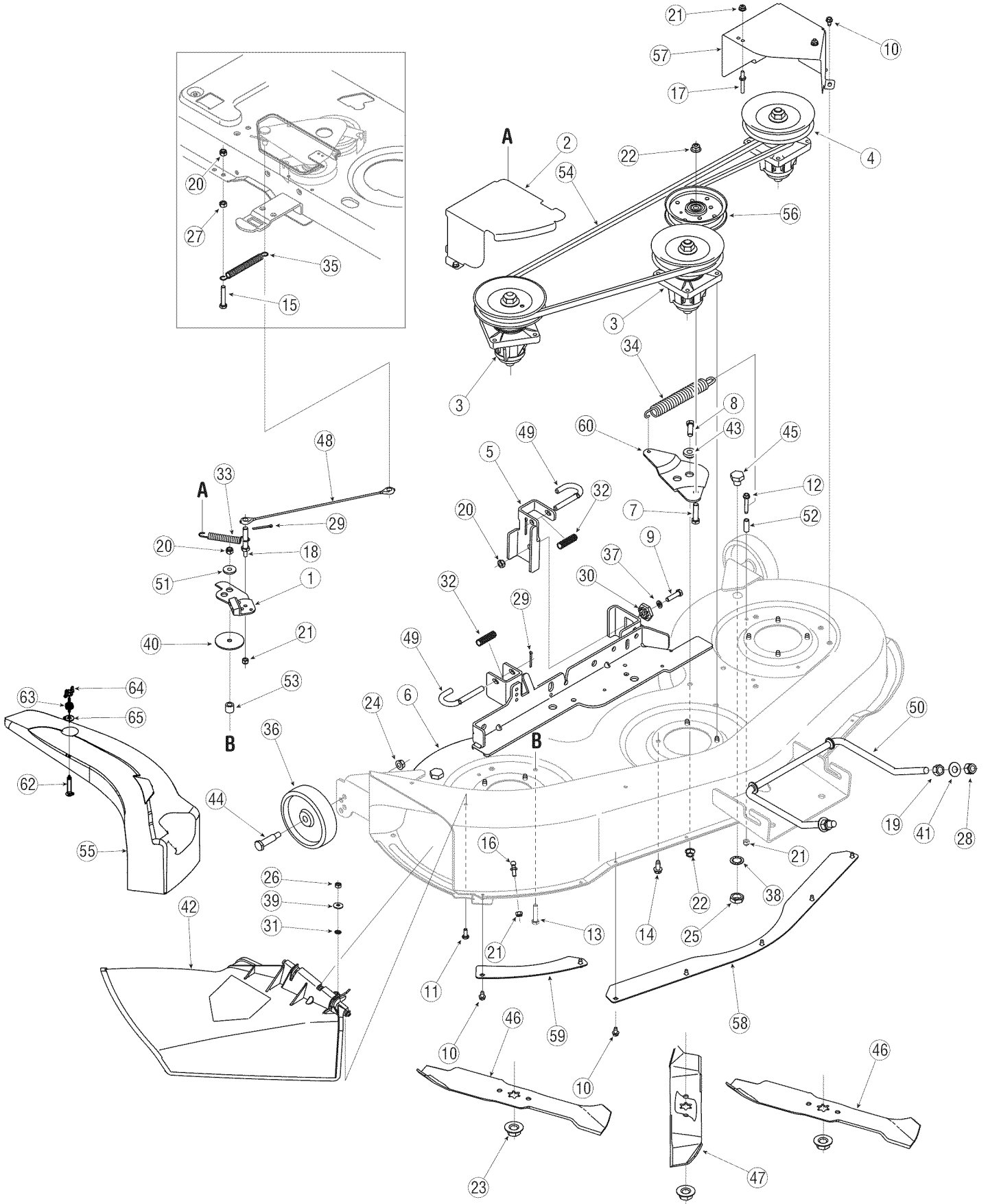
# Model 601

REF. NO.	PART NO.	DESCRIPTION
1	732-0614	Ring, Wire
2	716-0231	Ring, E Type, .750
3	736-0336*	Flat Washer, 5/8 x 1.0 x .030
	736-0337*	Flat Washer, 5/8 x 1.0 x .040
	736-0349*	Flat Washer, 5/8 x 1.0 x .020
4	736-0335	Washer, Thrust. 635 x 1.26 x .06
5	710-1325	Self-tapping Screw, 1/4-20 x 1.625
6	719-04017	Upper Housing
7	711-1109	Input Shaft
8	741-0335	Needle Bearing, .625 x .813 x .495
9	717-1464	14-tooth Bevel Pinion
10	716-0108	Retaining Ring, .437
11	741-0340	Sleeve Bearing, .75 x 1.0 x 1.0
12	721-0338	Seal, .75 x 1.0 x .125
13	618-04041	Differential Assembly
14	741-0336	Flange Bearing, 5/8 x 3/4 x 3/4
15	717-04056	42-tooth Bevel Gear
17	718-04045	Clutch Collar
19	711-04134	Drive Shaft
20	736-0495*	Thrust Washer, 1.0 x .632 x .0
	736-0494*	Flat Washer, .632 x 1.00 x .035
21	741-0337	Flange Bearing, 5/8 x 3/4 x 15/16
22	611-0011	Detent Shaft Assembly
23	741-0862	Detent Ball
24	732-0863	Compression Spring
25	719-04018	Lower Housing
26	717-0678	Brake Puck
27	761-0202	Brake Disc
28	710-1206	Self-tapping Screw, 1/4-20 x 2.375
29	661-0001	Brake Assembly
—	737-0148	Grease (19 oz.)

\*Use applicable washers (ref. no.'s 3 or 20) in this application allowing .0150/.0020 in. end-play.

NOTE: If rebuilding the upper housing, include two ounces (2 oz.) of Unirex<sup>®</sup> N3 grease (Part No. 737-0289) in the input shaft cavity.

# Model 601



# Model 601

REF. NO.	PART NO.	DESCRIPTION	REF. NO.	PART NO.	DESCRIPTION
1	17116	Brake Assembly, Deck	34	732-0594A	Spring, Extension,.91 Dia x 7.33
2	17258D	RH Belt Cover, Deck 46"	35	732-04197	Spring, Extension,.68 OD x 5.00 Lg
3	618-0240A	Spindle Assembly, 5.00 Dia.	36	734-0973	Wheel, Deck 5.0 x 1.38
4	618-04134B	Spindle Ass'y, Double Pulley	37	736-0119	Washer, Lock, 5/16
5	683-0254B	Hanger Bracket Assembly	38	736-0225	Washer, Lock, 5/8
6	683-04104A	Deck Weldment	39	736-0270	Washer, Bell,.265 x.75 x.062
7	710-0344	Screw, 3/8-16, 1.50, Gr5	40	736-0418A	Washer, Flat,.34 x 2.25 x.10
8	710-0514	Screw, 3/8-16, 1.00, Gr5	41	736-3084	Washer, Flat,.51 x 1.12 x.06
9	710-0528	Screw, 5/16-18, 1.25, Gr5	42	731-1032B	Chute Assembly
10	710-0599	Screw, 1/4-20, 0.500	43	738-0347	Spacer, Shoulder,.625 ID x.169
11	710-3015	Screw, 1/4-20 x.75, Gr5	44	738-0373	Spacer, Shoulder,.498 x 1.53, 3/8-16
12	710-0778	Screw, 1/4-20, 1.500	45	738-04146	Plug, Screw, M16 x 1.5
13	710-0805	Screw, 5/16-18, 1.50, Gr5	46	742-0611A	Blade, 16.28", Star 3-in-One
14	710-1260A	Screw, Ld, 5/16-18, 0.750	47	742-0612A	Blade, 14.88", Star 3-in-One
15	710-3180	Screw, 5/16-18, 1.75, Gr5	48	746-1107	Cable, 12.00"
16	711-04069	Pin, Grass catcher, 1/4-20	49	747-1116	Rod, Deck Release
17	711-0993	Belt Guard Pin 1/4 Dia x 1.43	50	747-1130B	Rod, Deck
18	711-1554	Pin, 1/4-20, 3/8 x 2.0	51	748-0234	Shoulder Spacer
19	712-0206	Nut, Hex, 1/2-13, Gr5	52	750-0566A	Spacer,.260 x.372 x 1.030
20	712-04063	Nut, Flange Lock, 5/16-18, GrF, Nylon	53	750-1320	Spacer,.375 x.63 x.595
21	712-04064	Nut, Flange Lock, 1/4-20, GrF, Nylon	54	754-0349	Belt, V-Type, Poly
22	712-04065	Nut, Flange Lock, 3/8-16, GrF, Nylon	55	731-1636†	Mulch Plug
23	712-0417A	Nut, Flange, 5/8-18	56	756-04129	Pulley, Idler, 4.25" Dia.
24	712-0431	Nut, Flange Lock, 3/8-16, GrF	57	783-1348B	Belt Cover, LH
25	712-0641	Nut, Hex, M16-1.5	58	783-0141	Deck Skirt, Center
26	712-3006	Nut, Hex, 1/4-20, Gr5	59	783-0142	Deck Skirt, RH
27	712-3010	Nut, Hex, 5/16-18, Gr5	60	783-04641	Bracket, Idler
28	712-3083	Nut, Hex Lock, 1/2-13, Gr8, Nylon	61	783-1025	Stop, Chute
29	714-0470	Pin, Cot, 1/8 x 1.25	62	710-0578†	Screw, 1/4-20 x 1.500
30	717-04074	Adjustment Gear, Deck	63	712-3006†	Hex Nut, 1/4-20
31	726-0233	Nut, Push,.25 ID x.50 OD	64	712-3087†	Wing Nut, 1/4-20
32	732-0306A	Spring, Compression,.531 OD x 1.75	65	736-0173†	Flat Washer,.28 x.74 x.063
33	732-0429A	Spring, Extension,.50 Dia x 3.97			

† If Equipped

**IMPORTANT:** For a proper working machine, use Factory Approved Parts. **V-belts** are designed to engage and disengage safely. A substitute (non OEM) V-belt can be dangerous by not disengaging completely.

**NOTE:** Tractor features vary by model. **NOT** all parts listed above and pictured on the previous page are standard equipment.

# MANUFACTURER'S LIMITED WARRANTY FOR:



The limited warranty set forth below is given by MTD LLC with respect to new merchandise purchased and used in the United States, its possessions and territories.

"MTD" warrants this product against defects in material and workmanship for a period of two (2) years commencing on the date of original purchase and will, at its option, repair or replace, free of charge, any part found to be defective in materials or workmanship. This limited warranty shall only apply if this product has been operated and maintained in accordance with the Operator's Manual furnished with the product, and has not been subject to misuse, abuse, commercial use, neglect, accident, improper maintenance, alteration, vandalism, theft, fire, water, or damage because of other peril or natural disaster. Damage resulting from the installation or use of any part, accessory or attachment not approved by MTD for use with the product(s) covered by this manual will void your warranty as to any resulting damage.

Normal wear parts are warranted to be free from defects in material and workmanship for a period of thirty (30) days from the date of purchase. Normal wear parts include, but are not limited to items such as: batteries, belts, blades, blade adapters, grass bags, rider deck wheels, seats, snow thrower skid shoes, shave plates, auger spiral rubber and tires.

**HOW TO OBTAIN SERVICE:** Warranty service is available, WITH PROOF OF PURCHASE, through your local authorized service dealer. To locate the dealer in your area, check your Yellow Pages, or contact MTD LLC at P.O. Box 361131, Cleveland, Ohio 44136-0019, or call 1-800-800-7310 or 1-330-220-4683 or log on to our Web site at [www.mtdproducts.com](http://www.mtdproducts.com).

This limited warranty does **not** provide coverage in the following cases:

- a. The engine or component parts thereof. These items may carry a separate manufacturer's warranty. Refer to applicable manufacturer's warranty for terms and conditions.
- b. Log splitter pumps, valves, and cylinders have a separate one year warranty.
- c. Routine maintenance items such as lubricants, filters, blade sharpening, tune-ups, brake adjustments, clutch adjustments, deck adjustments, and normal deterioration of the exterior finish due to use or exposure.
- d. Service completed by someone other than an authorized service dealer.

- e. MTD does not extend any warranty for products sold or exported outside of the United States, its possessions and territories, except those sold through MTD's authorized channels of export distribution.
- f. Replacement parts that are not genuine MTD parts.
- g. Transportation charges and service calls.

**No implied warranty, including any implied warranty of merchantability of fitness for a particular purpose, applies after the applicable period of express written warranty above as to the parts as identified. No other express warranty, whether written or oral, except as mentioned above, given by any person or entity, including a dealer or retailer, with respect to any product, shall bind MTD. During the period of the warranty, the exclusive remedy is repair or replacement of the product as set forth above.**

**The provisions as set forth in this warranty provide the sole and exclusive remedy arising from the sale. MTD shall not be liable for incidental or consequential loss or damage including, without limitation, expenses incurred for substitute or replacement lawn care services or for rental expenses to temporarily replace a warranted product.**

Some states do not allow the exclusion or limitation of incidental or consequential damages, or limitations on how long an implied warranty lasts, so the above exclusions or limitations may not apply to you.

In no event shall recovery of any kind be greater than the amount of the purchase price of the product sold. **Alteration of safety features of the product shall void this warranty.** You assume the risk and liability for loss, damage, or injury to you and your property and/or to others and their property arising out of the misuse or inability to use the product.

This limited warranty shall not extend to anyone other than the original purchaser or to the person for whom it was purchased as a gift.

**HOW STATE LAW RELATES TO THIS WARRANTY:** This limited warranty gives you specific legal rights, and you may also have other rights which vary from state to state.

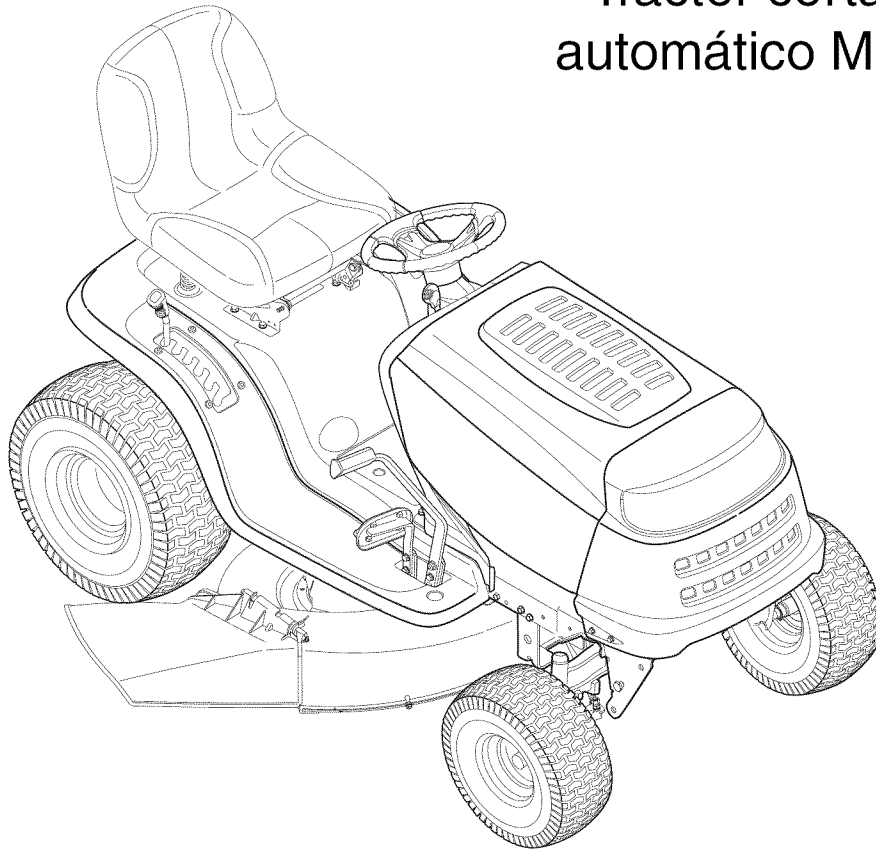
**IMPORTANT:** Owner must present Original Proof of Purchase to obtain warranty coverage.

**MTD LLC, P.O. BOX 361131 CLEVELAND, OHIO 44136-0019; Phone: 1-800-800-7310, 1-330-220-4683**



# Manual del operador

## Tractor corta césped automático Modelo 601



### **IMPORTANTE: LEA CON ATENCIÓN LAS REGLAS DE SEGURIDAD E INSTRUCCIONES**

**Advertencia:** Esta unidad está equipada con un motor de combustión interna y no debe ser utilizada en o cerca de un terreno agreste cubierto por bosque, malezas o hierba excepto si el sistema de escape del motor está equipado con un amortiguador de chispas que cumpla con las leyes locales o estatales correspondientes, en su caso. Si se utiliza un amortiguador de chispas el operador lo debe mantener en condiciones de uso adecuadas. En el Estado de California las medidas anteriormente mencionadas son exigidas por ley (Artículo 4442 del Código de Recursos Públicos de California). Es posible que existan leyes similares en otros estados. Las leyes federales se aplican en territorios federales. Su distribuidor más cercano autorizado para realizar el mantenimiento del motor puede conseguir el amortiguador de chispas para el silenciador; de lo contrario, usted puede comunicarse con el departamento de servicios, P.O. Box 361131 Cleveland, Ohio 44136-0019.

**MTD LLC. APARTADO POSTAL 361131 CLEVELAND, OHIO 44136-0019**

## ÍNDICE

Índice	Página	Índice	Página
Asistencia al cliente	42	Mantenimiento de su tractor corta césped	58
Medidas importantes de seguridad	43	Servicio	59
Indicador de pendiente	47	Almacenamiento fuera de temporada	62
Montaje del tractor	48	Aditamentos y accesorios	62
Conozca su tractor corta césped	49	Solución de problemas	63
Opere su tractor corta césped	53	Lista ilustrada de piezas	65
Realización de ajustes	56	Garantía	80

## BÚSQUEDA DEL NÚMERO DE MODELO

Este Manual del Operador es una parte importante de su nuevo tractor corta césped. Le ayudará a montar, preparar y mantener la unidad para obtener los mejores resultados. Por favor, lea y comprenda el contenido del manual.



**Antes de comenzar el montaje del equipo nuevo**, por favor encuentre la placa del modelo de equipo debajo del asiento del tractor y copie la información en el espacio provisto a continuación. A continuación se presenta un ejemplo de placa de modelo. La presente información resultará necesaria para el uso del sitio web del fabricante y/o para solicitar ayuda del Departamento de Asistencia al Cliente o de un distribuidor autorizado.



**Copie el número de modelo en este espacio:** \_\_\_\_\_

**Copie el número de serie en este espacio:** \_\_\_\_\_

## ASISTENCIA AL CLIENTE

**Por favor, NO devuelva la unidad al minorista a quien se la adquirió sin contactarse primero con el Departamento de Asistencia al Cliente.**

En caso de tener problemas para montar este producto o de tener dudas con respecto a los controles, funcionamiento o mantenimiento del mismo, puede solicitar la ayuda de expertos. Elija entre las opciones que se presentan a continuación:

	<p>Visite <b>mtdproducts.com</b> para obtener numerosas sugerencias útiles. Haga clic en el botón de Asistencia al Cliente y recibirá las cuatro opciones que se reproducen en este lugar. Haga clic en el botón apropiado y podrá disponer de ayuda de forma inmediata.</p> <div style="display: flex; justify-content: space-between; align-items: center;"> <div style="width: 45%; text-align: center;"> <p><i>Puede encontrar la respuesta que necesita con sólo hacer un clic con el ratón.</i></p> </div> <div style="width: 45%; border: 1px solid black; padding: 5px;"> <div style="border-bottom: 1px solid black; padding: 2px;"> <p><b>Find Answers</b> Click here to search our knowledge base. Search by product, keyword, or phrase.</p> </div> <div style="border-bottom: 1px solid black; padding: 2px;"> <p><b>My Stuff</b> Login to check the status of your questions, modify your inquiries, or update your personal profile.</p> </div> <div style="border-bottom: 1px solid black; padding: 2px;"> <p><b>Service Locator</b> Need local assistance? Click here to find authorized service centers in your area.</p> </div> <div style="padding: 2px;"> <p><b>Manuals Online</b> Need a manual and/or parts list? Download literature from recent model years.</p> </div> </div> <div style="width: 45%; text-align: center;"> <p><i>Puede encontrar la respuesta que necesita con sólo hacer un clic con el ratón.</i></p> </div> </div>
	<p>Si desea contactarse con el Departamento de Asistencia al Cliente, por favor comuníquese al <b>1-800-800-7310</b>.</p>
	<p>El fabricante del <b>motor</b> es el responsable de todas las cuestiones relacionadas con el rendimiento, potencia de salida, especificaciones, garantía y mantenimiento del motor. Por favor, para obtener mayor información, consulte el Manual del Propietario/Operador del fabricante del motor, que encontrará al final de este manual.</p>

## SECCIÓN1: MEDIDAS IMPORTANTES DE SEGURIDAD



**ADVERTENCIA:** La presencia de este símbolo indica que se trata de instrucciones importantes de seguridad que debe respetar para evitar poner en riesgo su seguridad personal y/o material y la de otras personas. Lea y siga todas las instrucciones en este manual antes de iniciar la operación de esta máquina. En caso de no seguir estas instrucciones podría provocar lesiones personales. Cuando vea este símbolo—siga la advertencia.



**PELIGRO:** Esta máquina fue construida para ser operada de acuerdo con las reglas de seguridad contenidas en este manual. Al igual que con cualquier tipo de equipo eléctrico, un descuido o error de parte del operador puede producir lesiones graves. Esta máquina es capaz de amputar manos y pies y de arrojar objetos con gran fuerza. De no respetar las instrucciones de seguridad siguientes se pueden producir lesiones graves o la muerte.

### Advertencia, Proposición 65 de California:



**ADVERTENCIA:** El escape del motor de este producto, algunos de sus componentes y algunos componentes del vehículo contienen o emiten productos químicos que el estado de California considera que pueden producir cáncer, defectos de nacimiento u otros problemas reproductivos.

### FUNCIONAMIENTO GENERAL:

1. Lea, comprenda y respete todas las instrucciones que figuran en la máquina o en este(os) manual(es) antes de proceder al ensamblado y operación del equipo. Guarde este manual en un lugar seguro para consultas futuras y regulares y para solicitar repuestos.
2. Familiarícese con todos los controles y con el uso adecuado de los mismos. Sepa cómo detener la máquina y cómo desengranar los controles rápidamente.
3. Nunca permita que niños menores de 14 años operen esta máquina. Los niños de 14 años y más deben leer y comprender las instrucciones de operación y las reglas de seguridad contenidas en este manual y deben ser capacitados y supervisados por uno de los padres.
4. Nunca permita que adultos sin los conocimientos adecuados acerca de la máquina la operen.
5. Para ayudar a evitar el contacto con las cuchillas o una lesión por algún objeto que sea arrojado, mantenga a las personas que lo observan, a los ayudantes, niños y mascotas alejados al menos 25 metros de la máquina mientras está en funcionamiento. Detenga la máquina si alguien traspasa este radio de seguridad.
6. Revise minuciosamente la zona donde se utilizará el equipo. Retire todas las piedras, palos, llantas, huesos, juguetes y otros objetos extraños que podrían ser recogidos y arrojados por la acción de las cuchillas. Los objetos arrojados por la máquina pueden producir lesiones graves.
7. Planifique el patrón de poda para evitar que la descarga de material se realice hacia los caminos, las veredas, los observadores, etc. Evite además descargar material contra las paredes y obstrucciones que podrían provocar que el material descargado rebote contra el operador.
8. Para protegerse los ojos, utilice siempre gafas o lentes de seguridad mientras opera la máquina o mientras la ajusta o repara. Los objetos arrojados que rebotan pueden lesionar gravemente la vista.
9. Utilice zapatos de trabajo resistentes, de suela fuerte, y pantalones y camisas ajustados. Las prendas sueltas o las alhajas pueden quedar atrapadas en las piezas móviles. Nunca opere esta máquina estando descalzo o con sandalias.
10. Esté atento a la podadora y a la dirección de la descarga de los aditamentos y no apunte a nadie. Nunca opere esta podadora sin que estén en su lugar apropiado la cubierta de descarga o el colector de recorte de césped.
11. No ponga las manos ni los pies cerca de las piezas rotatorias ni debajo de la cubierta de corte. El contacto con las cuchillas puede producir la amputación de manos y pies.
12. Una cubierta de descarga faltante o dañada puede provocar lesiones por contacto con la cuchilla o por objetos arrojados.
13. Detenga las cuchillas cuando cruce caminos de gravilla, senderos o caminos y cuando no esté cortando el césped.
14. Vigile el tránsito vehicular cuando esté operando cerca de o en cruces de caminos. Esta máquina no debe utilizarse en la vía pública.
15. No opere esta máquina estando bajo los efectos del alcohol o de drogas.
16. Corte el césped solamente con luz de día o con una buena luz artificial.
17. Nunca transporte pasajeros.
18. Desenganche las cuchillas antes de colocar reversa. Retroceda lentamente. Siempre mire hacia abajo y hacia atrás antes y mientras va en reversa, para evitar un accidente.
19. Reduzca la velocidad antes de girar. Opere la máquina suavemente. Evite la operación errática y la velocidad excesiva.
20. Desenganche las cuchillas, coloque el freno de mano, detenga el motor y espere hasta que las cuchillas se detengan por completo antes de retirar el colector de recortes de césped, vaciar los recortes, destapar la tolva, retirar cualquier residuo o desecho, o hacer cualquier ajuste.
21. Nunca deje la máquina en funcionamiento sin vigilancia. Apague siempre las cuchillas, coloque la transmisión en neutral, coloque el freno de mano, detenga el motor y retire la llave antes de bajarse del vehículo.
22. Tenga cuidado al cargar o descargar la máquina en un camión. Esta unidad no debe conducirse en ascenso o descenso de rampas, porque podría ladearse y provocar lesiones personales graves. Debe empujar manualmente la unidad en la rampa para cargarla o descargarla apropiadamente.

23. El silenciador y el motor se calientan y pueden producir quemaduras. No los toque.
24. Revise los espacios por encima de la cabeza antes de conducir bajo las ramas bajas de los árboles, cables, cerramientos de puertas, etc. en donde el operador podría atorarse o ser empujado fuera de la unidad, lo que podría resultar en lesiones graves.
25. Desenganche todos los embragues de aditamentos, presione totalmente el pedal del freno y cambie a neutral antes de intentar arrancar el motor.
26. Su máquina fue diseñada para cortar césped residencial normal, con una altura no mayor a 10". No intente cortar césped demasiado crecido, seco (pastura) o pilas de hojas secas. El césped y las hojas secas pueden entrar en contacto con el escape del motor y/o acumularse en la cubierta de la podadora, convirtiéndose en un peligro de incendio
27. Utilice solamente accesorios y aditamentos fabricados especialmente para esta máquina, originales del fabricante. Lea, comprenda y siga todas las instrucciones proporcionadas con los accesorios o aditamentos aprobados.
28. Los datos estadísticos muestran que los conductores mayores de 60 años se ven involucrados en un alto porcentaje de lesiones relacionadas con tractores corta césped. Estos operadores deben evaluar su capacidad para operar el tractor corta césped en forma suficientemente segura para protegerse a ellos mismos y a los demás contra lesiones graves.
29. Si se presentan situaciones que no están previstas en este manual, sea cuidadoso y use el sentido común. Contacte al centro autorizado de servicio MTD para obtener ayuda.

## FUNCIONAMIENTO EN PENDIENTES

Las pendientes son un factor importante que se relaciona con accidentes de derrapes y caídas que pueden producir lesiones graves e incluso la muerte. La operación en pendientes requiere mayor precaución. Si no puede retroceder en la pendiente o no siente que sea fácil, no pade allí.

Para seguridad, use el medidor de pendientes que se incluye como parte de este manual para medir la pendiente antes de operar la unidad en una zona inclinada. Si la pendiente es mayor a 15 grados en el medidor, no opere esta unidad en esa área, pues podría causar lesiones graves.

### HAGA LO SIGUIENTE:

1. Pude hacia arriba y abajo de las pendientes, no en forma transversal. Tenga cuidado cuando cambie de dirección al operar la máquina en pendientes.
2. Esté atento a los agujeros, raíces, rocas, objetos ocultos o abultamientos que puedan provocar que se derrape o se tropiece. El terreno desnivelado puede voltear la máquina. El césped alto puede ocultar obstáculos.
3. Vaya a baja velocidad. Elija una velocidad lo suficientemente baja, de modo que no tenga que detenerse o hacer cambios mientras está sobre la pendiente. Las llantas podrían perder tracción sobre las pendientes aunque los frenos funcionen apropiadamente. Siempre mantenga la máquina con una velocidad seleccionada en la palanca mientras desciende las pendientes, para poder frenar con el motor.
4. Siga la recomendación del fabricante para los pesos o contrapesos de las ruedas, para mejorar la estabilidad de

la máquina.

5. Tenga especial cuidado con los colectores de recorte de césped u otros aditamentos. Estos pueden modificar la estabilidad de la máquina.
6. Haga que todos los movimientos en las pendientes sean lentos y graduales. No cambie repentinamente la velocidad ni la dirección. Un frenado o cambio de velocidad repentinos pueden causar que el frente de la máquina se levante y dé una voltereta hacia atrás, lo que podría producir lesiones severas.
7. Evite arrancar o detenerse en una pendiente. Si los neumáticos pierden la tracción, desenganche las cuchillas y descienda lentamente la pendiente.

### NO:

1. No gire sobre las pendientes a menos que sea necesario. Si es así, dé vuelta lenta y gradualmente descendiendo de la pendiente, si es posible.
2. No corte el césped cerca de pozos, hundimientos o bancos, pues podría perder el equilibrio. La podadora podría volcarse repentinamente si una de las llantas estuviera fuera del borde de un pozo, banco u agujero.
3. No intente estabilizar la máquina poniendo su pie en el piso.
4. No utilice un colector de recortes de césped en pendientes escalonadas.
5. No pade el césped húmedo. Una menor tracción podría causar derrapes.
6. No haga cambios a neutral para descender. El exceso de velocidad podría hacer que el operador pierda el control de la máquina, ocasionando lesiones graves e incluso la muerte.
7. No arrastre cargas pesadas detrás de los aditamentos (carrito de basura cargado, podadora de rodillos, etc.) en pendientes mayores de 5 grados. Cuando descienda, el peso adicional tiende a empujar el tractor y podría ocasionar que usted pierda el control. (por ej., el tractor podría acelerarse, reduciendo la capacidad de frenado y maniobrabilidad, los aditamentos podrían clavarse y hacer palanca y provocar que el tractor se voltee).

### NIÑOS

1. Pueden ocurrir accidentes trágicos si el operador no está atento a la presencia de niños. Por lo general a los niños les atraen las podadoras y la actividad de podar el césped. No entienden los riesgos ni los peligros. Nunca asuma que los niños permanecerán en el mismo lugar donde los vio por última vez.
  - a. Mantenga a los niños fuera del área de trabajo y bajo estricta vigilancia de un adulto responsable además del operador.
  - b. Esté alerta y apague la podadora si un niño ingresa al área.
  - c. Antes y mientras se está retrocediendo, mire hacia atrás y cuide que no haya niños.
  - d. Nunca transporte niños, aún con la cuchilla apagada. Podrían caerse y resultar severamente lesionados o interferir con la operación segura de la máquina.
  - e. Tenga extrema precaución cuando se aproxime a esquinas ciegas, entradas de puertas, árboles u otros objetos que puedan obstaculizarle detectar la presencia de un niño que pudiese chocar con la máquina.

- f. **Para evitar accidentes al operar en marcha atrás, desenganche las cuchillas antes de colocar reversa. El “Modo de Precaución en Reversa” no debe utilizarse cuando están presentes niños u otras personas.**
  - g. Mantenga a los niños alejados de los motores en marcha o calientes. Pueden sufrir quemaduras con un silenciador caliente.
  - h. Retire la llave cuando deje la máquina sin vigilancia, para impedir que una persona sin autorización la maneje.
9. Nunca permita que los niños menores de 14 años operen esta máquina. Los niños mayores de 14 años deben leer y entender las instrucciones de operación y reglas de seguridad contenidas en este manual, y deben ser entrenados y supervisados por sus padres.

## ARRASTRE

1. Realice arrastres únicamente utilizando una máquina que cuente con un dispositivo de enganche diseñado para arrastrar objetos. Los equipos a arrastrar deben conectarse únicamente a la punta de enganche.
2. Siga las recomendaciones del fabricante en lo que respecta a los límites de peso de los equipos a arrastrar y al arrastre en pendientes.
3. Nunca permita la presencia de niños u otras personas dentro o sobre los equipos a arrastrar.
4. En pendientes, el peso del equipo a arrastrar puede causar pérdida de tracción y pérdida de control de la máquina.
5. Desplácese lentamente, y guarde una distancia extra para frenado.
6. No haga cambios a neutral para descender.

## MANTENIMIENTO

### MANEJO SEGURO DE LA GASOLINA

1. **Sea sumamente cuidadoso al manipular la gasolina** para evitar lesiones o daños. La gasolina es altamente inflamable y sus vapores pueden causar explosiones. Se puede lesionar gravemente si derrama gasolina sobre usted o sobre la ropa, ya que ésta se puede incendiar. Lave la piel y cámbiense de ropa de inmediato.
  - a. Utilice sólo recipientes para gasolina autorizados.
  - b. Nunca llene los recipientes en el interior de un vehículo o camión o caja de camioneta con recubrimientos plásticos. Coloque siempre los recipientes en el piso y lejos del vehículo antes de llenarlos.
  - c. Cuando sea práctico, retire el equipo a gasolina del camión o remolque y llénelo en el piso. Si esto no es posible, llene el equipo en un remolque con contenedor portátil, en vez de desde un dispensador de gasolina.
  - d. Mantenga la boquilla de llenado en contacto con el borde del tanque de gasolina o de la abertura del recipiente en todo momento, hasta terminar la carga. No utilice un dispositivo para abrir/cerrar la boquilla.
  - e. Apague todos los cigarrillos, cigarrillos, pipas y otras fuentes de combustión.
  - f. Nunca cargue combustible en la máquina en un espacio cerrado.

- g. Nunca saque la tapa del combustible ni agregue combustible mientras el motor está caliente o en marcha. Deje que el motor se enfríe por lo menos dos minutos antes de volver a cargar combustible.
- h. Nunca llene en exceso el tanque de combustible. Llene el tanque no más de ½ pulgada por debajo de la base del cuello del filtro, para dejar espacio para la dilatación del combustible.
- i. Vuelva a colocar la tapa de la gasolina y ajústela bien.
- j. Limpie el combustible que se derrame sobre el motor y el equipo. Traslade la máquina a otra zona. Espere 5 minutos antes de encender el motor.
- k. Para reducir el riesgo de incendio, mantenga la máquina limpia de pasto, hojas y de acumulación de otros escombros. Limpie los derrames de aceite o combustible y saque todos los escombros embebidos con combustible.
- l. Nunca almacene la máquina o el recipiente de combustible en un espacio cerrado donde haya fuego, chispas o luz piloto, como por ejemplo de calentadores de agua, calefactores de ambientes, hornos, secadores de ropa u otros aparatos a gas.
- m. Deje que la máquina se enfríe 5 minutos por lo menos antes de almacenarla.

### SERVICIO GENERAL:

1. Nunca encienda un motor en espacios cerrados o en una zona con poca ventilación. El escape del motor contiene monóxido de carbono, un gas inodoro y letal.
2. Antes de limpiar, reparar o inspeccionar la máquina, compruebe que la cuchilla y todas las partes que se mueven se hayan detenido. Desconecte el cable de la bujía y póngalo de manera que haga masa contra el motor para evitar que se encienda de manera accidental.
3. Revise periódicamente, para asegurarse de que las cuchillas se detengan por completo en un espacio de aproximadamente cinco (5) segundos después de accionar el control de desenganche. Si las cuchillas no se detienen en este lapso, su unidad debe ser reparada por un profesional en un centro de servicio autorizado.
4. Revise con frecuencia el funcionamiento del sistema de frenos, ya que está sujeto a desgaste por la operación normal. Ajuste y efectúe mantenimiento según se requiera.
5. Revise los pernos de montaje de la cuchilla y del motor a intervalos frecuentes, para verificar que estén bien ajustados. Además, inspeccione visualmente la cuchilla en busca de daños (desgaste excesivo, abolladuras, rajaduras, etc)  
Reemplace las cuchillas sólo con piezas de los fabricantes de equipos originales listadas en este manual. “La utilización de piezas que no cumplan con las especificaciones de equipos originales podría tener como resultado un rendimiento incorrecto, y además la seguridad podría estar comprometida”
6. Las cuchillas de las podadoras son muy afiladas y podrían cortarlo. Envuelva la cuchilla o utilice guantes y extreme las precauciones cuando efectúe mantenimiento.
7. Mantenga todas las tuercas, pernos y tornillos bien ajustados para asegurarse de que la máquina se encuentra en condiciones seguras de operación.

8. Nunca intente violar el sistema de bloqueo de seguridad u otros mecanismos de seguridad. Verifique regularmente si funciona de manera correcta.
9. Después de golpear contra algún objeto extraño, detenga el motor, desconecte el cable de la bujía y conecte el motor a masa. Inspeccione minuciosamente para ver si la máquina está dañada. Repare el daño antes de arrancar y operar.
10. Nunca trate de hacer ajustes o reparaciones a la máquina mientras el motor está en marcha.
11. Los componentes del colector de recortes de césped y la cubierta de descarga están sujetos a desgaste y daños que podrían dejar expuestas piezas que se mueven o permitir que se arrojen objetos.  
Para proteger su seguridad, verifique frecuentemente

todos los componentes y reemplácelos sólo con piezas de los fabricantes de equipos originales listadas en este manual. "La utilización de piezas que no cumplan con las especificaciones de equipos originales podría tener como resultado un rendimiento incorrecto, y además la seguridad podría verse comprometida"

12. No cambie la configuración del regulador del motor ni lo opere a una velocidad demasiado elevada. El regulador controla la velocidad máxima segura de operación del motor.
13. Mantenga o reemplace las etiquetas de seguridad e instrucciones según sea necesario.
14. Respete las leyes y reglamentaciones referentes a la disposición correcta de combustible, aceite, etc. para proteger el medio ambiente.



**ADVERTENCIA: SU RESPONSABILIDAD** Sólo permita que usen esta máquina eléctrica las personas que lean, comprendan y respeten las advertencias y las instrucciones que aparecen en este manual y en la máquina.



**⚠ DANGER**

**ROTATING BLADES CAUSE SERIOUS INJURY OR DEATH**

- DO NOT MOW WHEN CHILDREN OR OTHERS ARE AROUND
- NEVER CARRY CHILDREN EVEN WITH BLADE(S) OFF.
- LOOK DOWN AND BEHIND BEFORE AND WHILE BACKING.
- MOWING IN REVERSE IS NOT RECOMMENDED.

**⚠ WARNING**

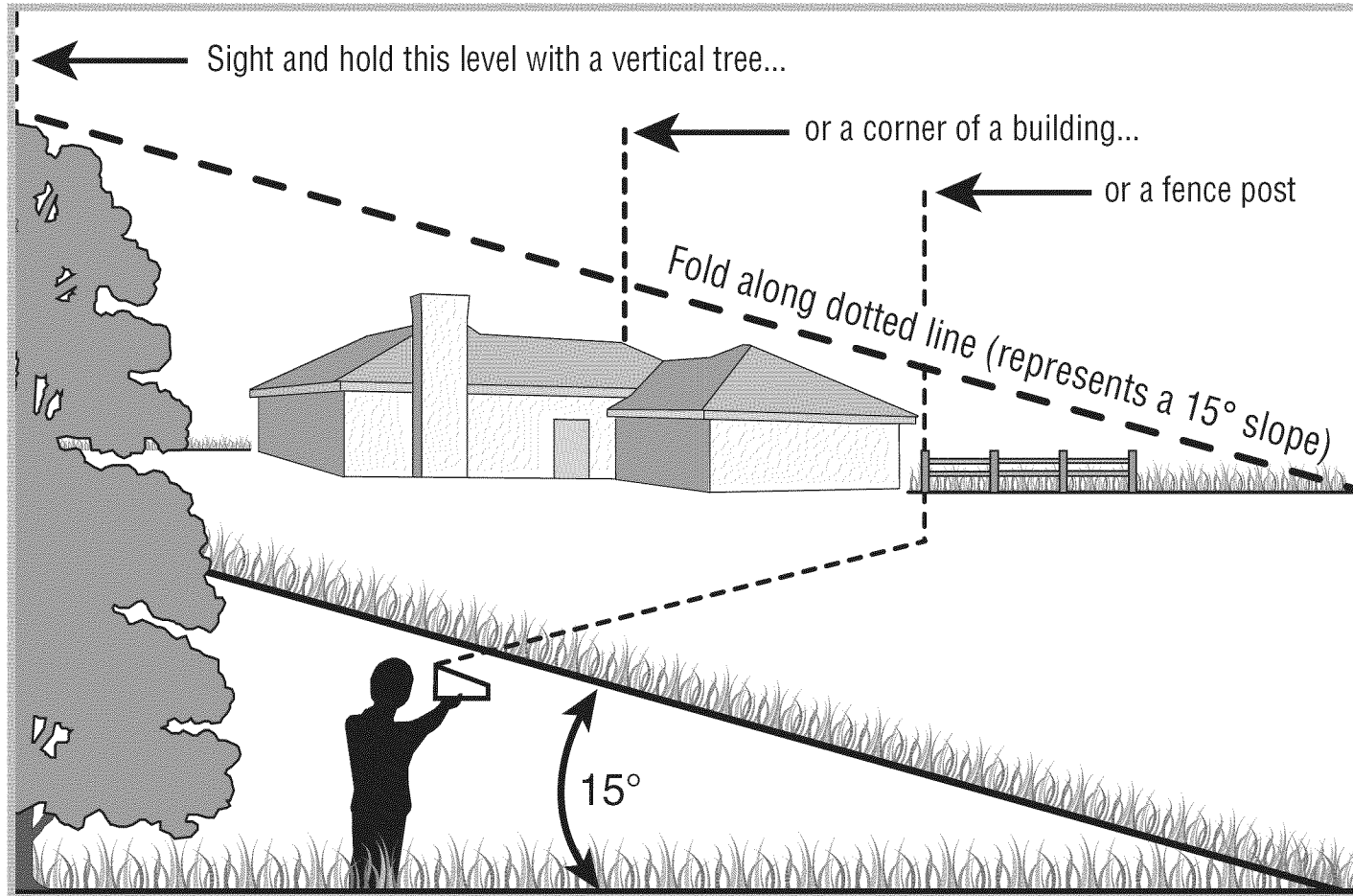
**TO AVOID SERIOUS INJURY OR DEATH**

- GO UP AND DOWN SLOPES, NOT ACROSS.
- AVOID SUDDEN TURNS.
- DO NOT OPERATE THE UNIT WHERE IT COULD SLIP OR TIP.
- IF MACHINE STOPS GOING UPHILL, STOP BLADE(S) AND BACK DOWNHILL SLOWLY.
- KEEP SAFETY DEVICES (GUARDS, SHIELDS, AND SWITCHES, ETC.) IN PLACE AND WORKING.
- REMOVE OBJECTS THAT COULD BE THROWN BY THE BLADE(S).
- KNOW LOCATION AND FUNCTION OF ALL CONTROLS.
- BE SURE BLADE(S) AND ENGINE ARE STOPPED BEFORE PLACING HANDS OR FEET NEAR BLADE(S).
- BEFORE LEAVING OPERATOR'S POSITION, DISENGAGE BLADE(S), ENGAGE PARKING BRAKE, SHUT OFF AND REMOVE KEY.

**READ OPERATOR'S MANUAL**

## SECCIÓN2: INDICADOR DE PENDIENTE

Use esta página como guía para determinar las inclinaciones de las pendientes en las que podría no tener una operación segura. **No opere** la podadora en dichas pendientes.



ADVERTENCIA

No opere en inclinaciones mayores a 15 grados (elevación aproximada de 2 1/2 pies por cada 10 pies). Una podadora en movimiento podría voltearse y causar lesiones severas. Si en una pendiente opera una podadora que se empuja, es extremadamente difícil mantener el equilibrio y podría resbalarse y sufrir lesiones graves. Opere las podadoras MONTABLES hacia arriba y abajo de las pendientes, nunca de forma transversal a la pendiente.

## SECCIÓN3: MONTAJE DEL TRACTOR

### Instalación de los cables de la batería

**NOTA:** El terminal positivo de la batería está marcado como Pos (+). El terminal negativo de la batería está marcado como Neg (-).

- El cable positivo (pesado y de color rojo) está sujeto al terminal positivo de la batería (+) por medio de un bulón hexagonal y una tuerca hexagonal, según configuración de fábrica. Asegúrese de que el terminal esté cubierto con una funda de goma que ayude a protegerlo contra la corrosión.
- Retire el bulón hexagonal y la tuerca de mariposa del cable negativo.
- Retire la cubierta plástica negra (si es que está presente) del terminal negativo de la batería, y una el cable negativo (pesado y de color negro) al terminal negativo de la batería (-) utilizando el bulón y la tuerca de mariposa.
- Asegúrese de que la tira de sujeción hacia abajo esté en la posición correcta sobre la batería, sujetando dicha batería en su lugar. Vea la Figura 1.

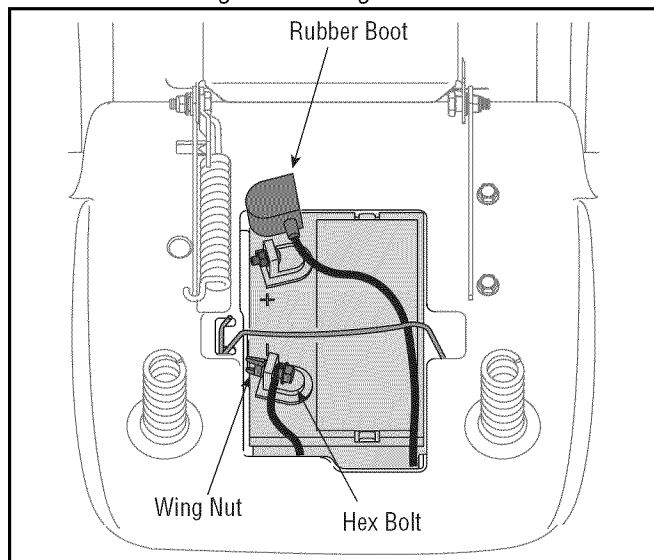


Figura 1

**NOTA:** Si la batería se pone en funcionamiento después de la fecha indicada en su parte superior, cargue la batería siguiendo las instrucciones de la página 59 de este manual antes de operar el tractor.

### Llenado de gasolina y aceite

El tanque de gasolina está ubicado debajo del cofre, y posee una capacidad de 2 o 3 galones. No lo llene en exceso.



**ADVERTENCIA:** Sea sumamente cuidadoso al manipular la gasolina. La gasolina es altamente inflamable y sus vapores pueden causar explosiones. Nunca cargue combustible en la máquina en un espacio cerrado o cuando el motor está caliente o en marcha. Apague cigarrillos, cigarras, pipas y otras fuentes de combustión.

Cargue el motor con gasolina y aceite como se indica en el manual del Propietario/Operador *Briggs & Stratton* que se

entrega por separado, embalado con su tractor corta césped. Lea cuidadosamente las instrucciones.

**IMPORTANTE:** Su tractor corta césped se envía con aceite en el motor. Sin embargo, usted **DEBE** revisar el nivel de aceite antes de operar el tractor. Tenga cuidado de no llenar en exceso.

### Extracción de la traba de seguridad utilizada en el envío



**ADVERTENCIA:** Asegúrese de que el motor de la podadora esté apagado, quite la llave de encendido y coloque el freno de seguridad antes de extraer la traba de seguridad utilizada en el envío.

- Localice la traba de seguridad utilizada en el envío (si está presente) y la etiqueta de advertencia que la acompaña, ubicadas en el lado derecho de la podadora, entre el canal de descarga y la cubierta de corte. Vea la Figura 2.

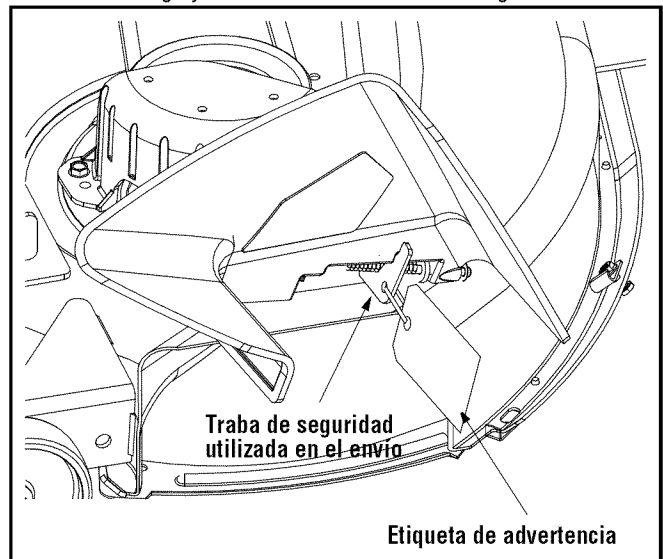


Figura 2

- Mientras sostiene el canal de descarga con su mano izquierda, extraiga con la mano derecha la traba de seguridad utilizada en el envío, sujetándola entre sus dedos pulgar e índice y rotándola en el sentido de las agujas del reloj.



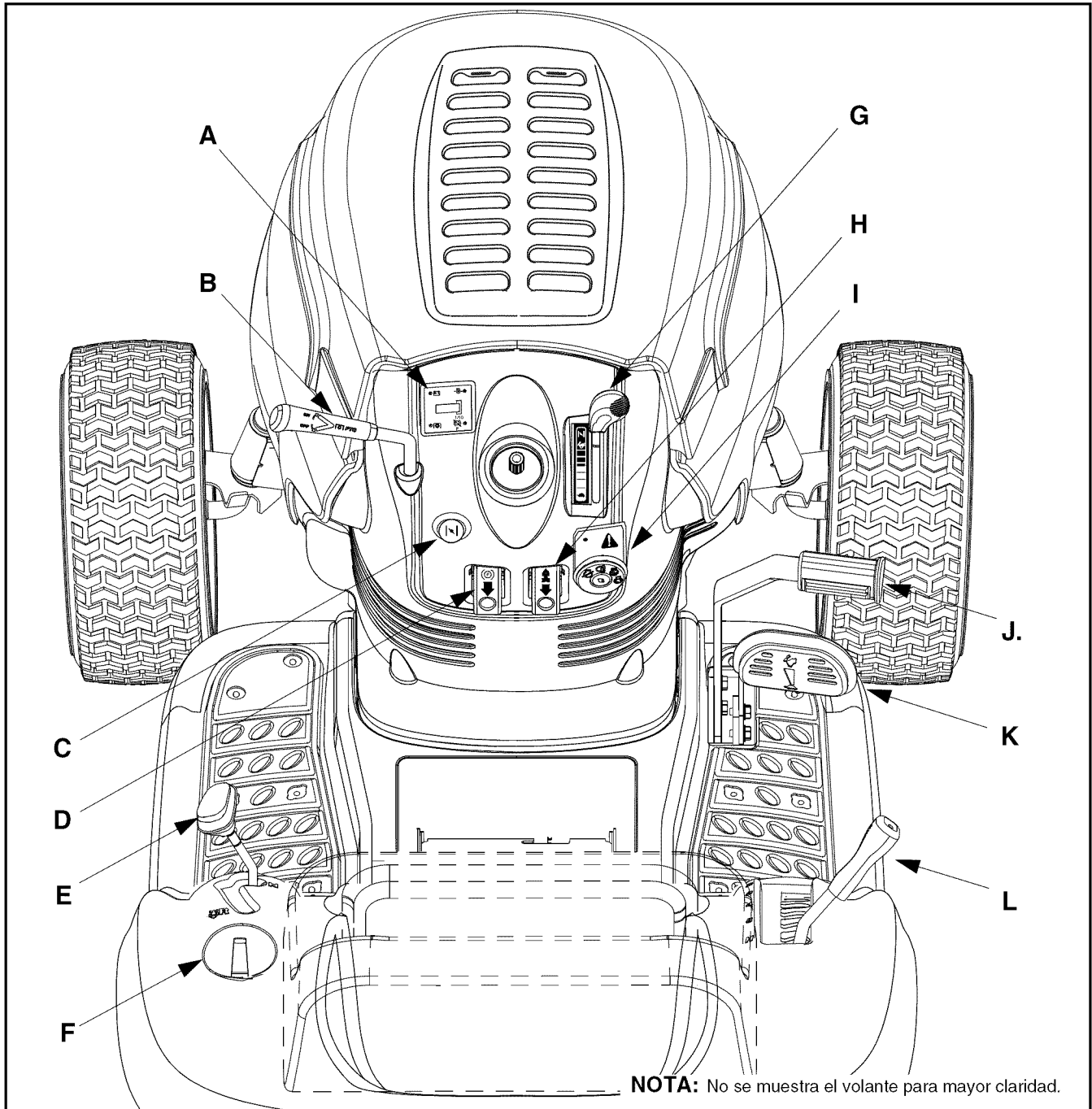
**ADVERTENCIA:** La traba de seguridad utilizada en el envío, utilizada sólo a los efectos de un correcto embalaje, debe extraerse y descartarse antes de operar la podadora.



**ADVERTENCIA:** La cubierta de la podadora puede arrojar objetos. En caso de operar la podadora sin colocar la cubierta de descarga en la posición adecuada para el funcionamiento, podrían producirse graves lesiones personales y/o daños materiales.



## SECCIÓN4: CONOZCA SU TRACTOR CORTA CÉSPED



**Figura 3**

- |   |  |   |                                     |
|---|--|---|-------------------------------------|
| A | Monitor indicador de sistemas                      | G | Palanca del regulador               |
| B | Palanca de corte de energía (enganche de cuchilla) | H | Botón de control de cruceo          |
| C | Perilla de obturación                              | I | Módulo del interruptor de encendido |
| D | Botón del freno de mano                            | J | Pedal del freno                     |
| E | Palanca de cambios                                 | K | Pedal de la transmisión             |
| F | Portacubeta  | L | Palanca de elevación de la cubierta |

**NOTA:** Cualquier referencia hecha en esta manual al lado DERECHO o IZQUIERDO del tractor debe entenderse tal como se observa desde la posición del operador.

## Palanca de control del regulador

La palanca de control del regulador está ubicada en el lado derecho del tablero de instrumentos del tractor. Esta palanca controla la velocidad del motor. Cuando se coloca en una posición determinada, el regulador mantendrá una velocidad de motor uniforme. Vea la Figura 4.

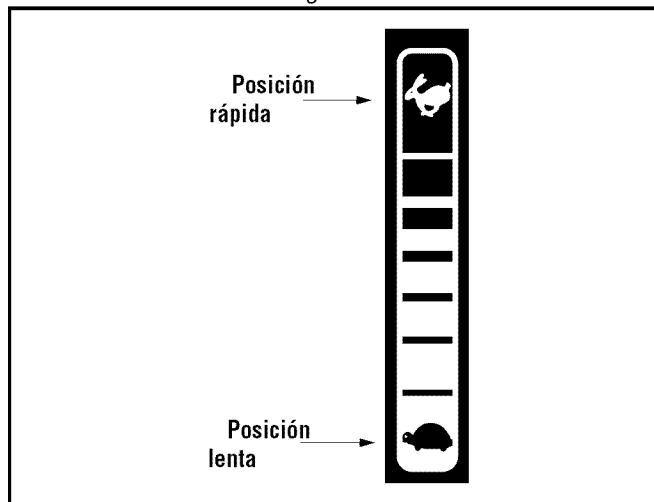
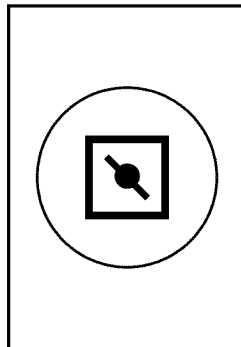


Figura 4

**IMPORTANTE:** Cuando opere el tractor con la cubierta de corte colocada, asegúrese de que la palanca del regulador esté **siempre** en la posición FAST (rápido; representado por una liebre).

## Control de obturación

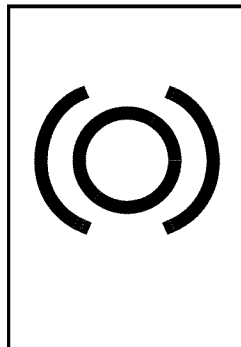
El control de obturación puede encontrarse en el lado izquierdo del tablero de instrumentos, y se activa tirando la perilla hacia afuera. Al activar el control de obturación se cierra la placa de obturación del carburador y se ayuda a encender el motor. Consulte la sección **Encendido del motor** en la página 54 de este manual para obtener instrucciones de encendido detalladas.



## Pedal del freno

El pedal del freno está ubicado en el lado delantero derecho del tractor corta césped, sobre el pedal de la transmisión, a lo largo del estribo. El pedal del freno puede utilizarse para realizar detenciones bruscas o para colocar el freno de mano.

**NOTA:** Se debe presionar totalmente el pedal del freno para activar el interruptor del dispositivo de bloqueo al encender el tractor.



## Módulo del interruptor de encendido



**ADVERTENCIA:** Nunca deje la máquina en funcionamiento sin vigilancia. Corte siempre la energía, mueva la palanca de cambios a la posición neutral, coloque el freno de mano, apague el motor y retire la llave, para evitar que alguien encienda accidentalmente el motor.

Para encender el motor, inserte la llave en el interruptor de encendido y gírela en el sentido de las agujas del reloj hacia la posición **START** (ENCENDIDO). Libere la llave en la posición **MODO NORMAL DE PODA** una vez que ha arrancado el motor.

Para detener el motor, gire la llave de encendido en sentido contrario al de las agujas del reloj hasta la posición OFF (apagado). Vea la Figura 5.

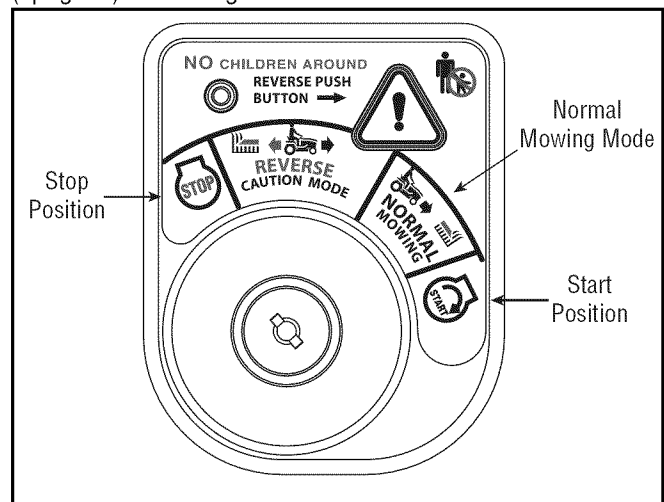


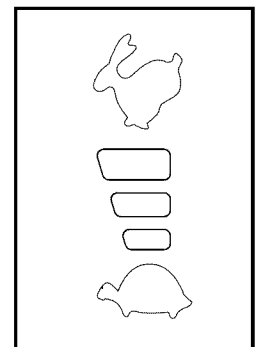
Figura 5

**IMPORTANTE:** Antes de operar el tractor, consulte las secciones **Interruptores del dispositivo de bloqueo** en la página 53 y **Encendido del motor** en la página 54 de este manual, para obtener instrucciones detalladas sobre el Módulo del Interruptor de Encendido y para operar el tractor en **MODO DE PRECAUCIÓN EN REVERSA**.

## Pedal de la transmisión

El pedal de la transmisión está ubicado debajo del pedal del freno, en el lado delantero derecho del tractor corta césped, a lo largo del estribo. Presione el pedal de la transmisión con su pie derecho cuando la palanca de cambios del tractor esté en posición FORWARD (Avance) o REVERSE (Retroceso), para que el tractor se mueva. La velocidad de piso también se controla con el pedal de la transmisión. Cuanto más se presione el pedal hacia abajo, más rápido avanzará el tractor. El pedal volverá a su posición original cuando se deje de presionarlo.

**IMPORTANTE:** Coloque siempre el freno de mano cuando deje el tractor sin vigilancia.



## Monitor indicador de sistemas

Su tractor está equipado con un amperímetro, que forma parte del monitor indicador de sistemas. Localice el monitor en el lado izquierdo de su tablero de instrumentos y compárelo con la Figura 6.

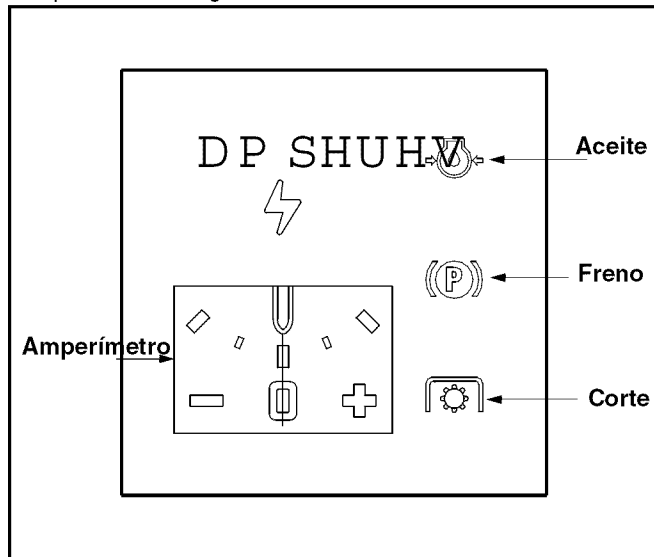


Figura 6

Si al intentar encender la unidad se ilumina la lámpara del freno o de corte de energía (PTO), proceda de la siguiente manera:

**FRENO** — Presione el pedal del freno.

**Corte de energía (PTO)** — Mueva la palanca de corte de energía (enganche de cuchillas) a la posición de corte de energía (OFF).

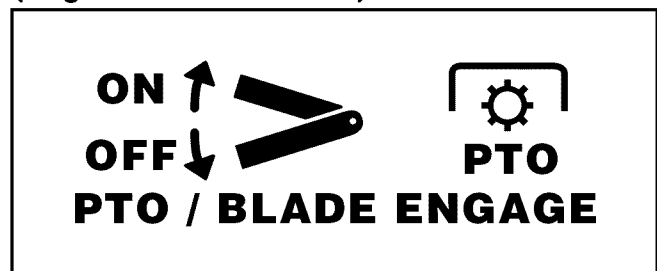
**NOTA:** Es normal que la luz del aceite y de la batería se enciendan cuando el motor está **arrancando**, pero si alguna de ellas se enciende **mientras el motor está en marcha**, proceda de la siguiente manera:

**ACEITE**— Detenga de inmediato el tractor y controle el nivel de aceite del cárter, tal como se indica en el manual del Propietario/Operador Briggs & Stratton, que se incluye con su tractor.

**BATERÍA**— Es necesario cargar la batería, o el sistema de carga del motor no está generando suficiente amperaje. Consulte la sección **MANTENIMIENTO** de este manual para conocer el procedimiento adecuado de carga de la batería, o haga examinar el sistema de carga por un distribuidor de motores *Briggs & Stratton*.

**El amperímetro** mide la salida de corriente del sistema de carga del motor. En condiciones normales de operación, con el motor acelerado al máximo, la aguja del amperímetro debe medir una carga positiva.

## Palanca de corte de energía PTO (enganche de cuchilla)



La palanca de corte de energía (enganche de cuchilla) está ubicada en el lado izquierdo del tablero de instrumentos, junto al volante. Mueva la palanca de corte de energía (enganche de cuchilla) hacia delante, para suministrar corriente a la cubierta de corte u otros aditamentos (disponibles por separado); mueva la palanca de corte de energía (enganche de cuchilla) hacia atrás para cortar el suministro de corriente a los aditamentos.

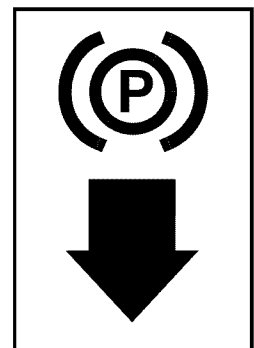
**NOTA:** Al encender el motor, al operar la máquina en reversa, y cuando el operador abandona el asiento, la palanca de corte de energía (enganche de cuchilla) **debe** encontrarse en la posición de corte de energía (OFF).

## Palanca de elevación de la cubierta

Ubicada en la defensa derecha de su tractor, la palanca de elevación de la cubierta se utiliza para cambiar la altura de la cubierta de corte. Para utilizarla, mueva la palanca hacia la izquierda, luego colóquela en la muesca que mejor se adapte a la aplicación deseada.

## Botón del freno de mano

Para colocar el freno de mano, presione totalmente el pedal de freno y pulse el botón del freno de mano. Mantenga presionado el botón mientras quita su pie del pedal del freno. Tanto el botón del freno como el pedal del freno quedarán presionados. Para soltar el freno de mano, presione ligeramente el pedal del freno. El botón del freno de mano volverá a su posición original.



**NOTA:** Si el operador abandona el asiento y deja el motor funcionando, deberá colocar el freno de mano, o el motor se apagará de forma automática.

**IMPORTANTE:** Coloque siempre el freno de mano cuando deje el tractor sin vigilancia.



## ADVERTENCIA

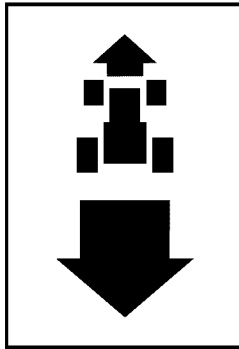
### EVITE LESIONES PERSONALES GRAVES Y LA MUERTE

- PODE HACIA ARRIBA Y HACIA ABAJO DE LAS PENDIENTES, NO EN FORMA TRANSVERSAL.
- EVITE MANIOBRAS DE GIRO BRUSCAS.
- NO OPERE LA UNIDAD EN ÁREAS DONDE PUEDE DERRAPAR O TROPEZAR
- SI LA MÁQUINA DEJA DE SUBIR LA PENDIENTE, DETENGA LAS CUCHILLAS Y RETROCEDA LENTAMENTE BAJANDO LA PENDIENTE
- NO PODE EL CÉSPED CUANDO HAYA NIÑOS U OTRAS PERSONAS CERCA
- NUNCA TRANSPORTE NIÑOS, AUN CON LAS CUCHILLAS APAGADAS.
- MIRE HACIA ABAJO Y HACIA ATRÁS ANTES Y MIENTRAS OPERA EN REVERSA.
- MANTENGA TODOS LOS DISPOSITIVOS DE SEGURIDAD (PANTALLAS, PROTECTORES E INTERRUPTORES) EN SU LUGAR Y EN CORRECTO FUNCIONAMIENTO.
- RETIRE LOS OBJETOS QUE PUEDAN SER ARROJADOS POR LA(S) CUCHILLA(S) EN CUALQUIER DIRECCIÓN.
- CONOZCA LA UBICACIÓN Y FUNCIÓN DE TODOS LOS CONTROLES.
- ASEGÚRESE DE QUE LAS CUCHILLAS Y EL MOTOR SE DETENGAN ANTES DE COLOCAR LAS MANOS O LOS PIES CERCA DE LAS CUCHILLAS.
- ANTES DE ABANDONAR LA POSICIÓN DEL OPERADOR, DESENGANCHE LAS CUCHILLAS, COLOQUE LA PALANCA DE CAMBIOS EN POSICIÓN NEUTRAL, COLOQUE EL FRENO DE MANO, APAGUE EL MOTOR Y RETIRE LA LLAVE.

**LEA EL MANUAL DEL OPERADOR**

## Botón de control de crucero

El botón de control de crucero está ubicado en el tablero de instrumentos del tractor, a la izquierda del interruptor de encendido. Presione el botón de control de crucero mientras avanza hacia adelante a una velocidad deseada. Mientras mantiene presionado el botón, deje de presionar el pedal de la transmisión. Esto activará el control de crucero y permitirá que el tractor se mantenga a dicha velocidad sin que sea necesario presionar el pedal de la transmisión.

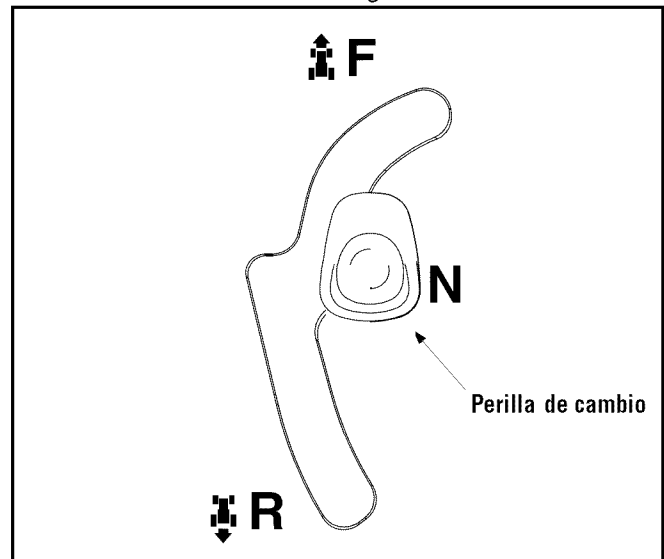


Presione el pedal del freno o el pedal de la transmisión para desactivar el control de crucero. Consulte la sección **Activación del control de crucero** en la página 55 de este manual para obtener instrucciones detalladas sobre la función de control de crucero.

**NOTA:** *El control de crucero NO podrá activarse a la velocidad de piso más rápida del tractor. Si el operador intentara activarlo en esas condiciones, el tractor desacelerará automáticamente a la velocidad de piso óptima más rápida para poda.*

## Palanca de cambios

La palanca de cambios se ubica en el lado izquierdo de la defensa, y posee tres posiciones: FORWARD (Avance), NEUTRAL (Neutral) y REVERSE (Retroceso). Cuando mueva la palanca de cambios, debe presionar el pedal del freno y el tractor no debe estar en movimiento. Vea la Figura 7.



**Figura 7**

**IMPORTANTE:** No fuerce la palanca de cambios. De hacerlo, puede dañarse seriamente la transmisión del tractor.

## SECCIÓN5: OPERE SU TRACTOR CORTA CÉSPED

### Interruptores del dispositivo de bloqueo

Este tractor está equipado con un sistema de bloqueo de seguridad para su protección. Si el sistema de bloqueo funcionara mal, no debe operarse el tractor. Contacte a un distribuidor *MTD* autorizado para el mantenimiento.

- El sistema de bloqueo de seguridad impide que el motor arranque con la manivela o se encienda si no está colocado el freno de mano, y la palanca de corte de energía (enganche de cuchilla) está en posición de corte de energía (OFF).
- Si el operador abandona su asiento antes de colocar el freno de mano, el motor se apagará automáticamente.
- El motor se apagará automáticamente si el operador abandona el asiento del tractor con la palanca de corte de energía (enganche de cuchilla) en la posición de suministro de energía (ON), independientemente de si el freno de mano está colocado o no.
- Si el operador suministra energía con el freno de mano en la posición ON (colocado), el motor se apagará automáticamente.
- Con la llave de encendido en la posición **PODA NORMAL**, el motor se apagará automáticamente si la palanca de corte de energía (enganche de cuchilla) se mueve a la posición de suministro de energía (ON) con la palanca de cambios en posición Reverse (Retroceso).



**ADVERTENCIA:** No opere el tractor si el sistema de bloqueo funciona mal. El sistema fue diseñado para brindarle seguridad y protección.

### Modo de precaución en reversa



**ADVERTENCIA:** Guarde precaución extrema cuando opere el tractor en **MODO DE PRECAUCIÓN EN REVERSA**. Mire siempre hacia abajo y hacia atrás antes y mientras opera en reversa. No opere el tractor cuando haya niños u otras personas en el lugar. Detenga el tractor si alguien traspasa este radio de seguridad.

La posición **MODO DE PRECAUCIÓN EN REVERSA** del módulo de la llave de contacto permite operar el tractor en reversa con las cuchillas enganchadas.

**IMPORTANTE:** *No se recomienda podar en reversa.*

Para utilizar el **MODO DE PRECAUCIÓN EN REVERSA**:

**IMPORTANTE:** *El operador DEBE sentarse en el asiento del tractor.*

1. Encienda el motor, tal como se indicó anteriormente en este Manual del Operador.
2. Gire la llave desde la posición de **PODA NORMAL** (verde) hasta la posición de **MODO DE PRECAUCIÓN EN REVERSA** (amarillo) del módulo de la llave de contacto. Vea la Figura 8.

3. Presione el **BOTÓN PULSADOR DE REVERSA** (botón triangular de color naranja) en la esquina superior derecha del módulo de la llave de contacto. La luz indicadora roja en la esquina superior izquierda del módulo de la llave de contacto estará **encendida (ON)** mientras permanezca activado el Modo de Precaución en Reversa. Vea la Figura 8.
4. Una vez activado el Modo de Precaución en Reversa (con la luz indicadora **encendida (ON)**), el tractor podrá conducirse en reversa con las cuchillas de corte enganchadas.
5. Siempre mire hacia abajo y hacia atrás antes y mientras opera en reversa, para asegurarse de que no haya niños en el área.
6. Una vez retomado el movimiento hacia adelante, vuelva a colocar la llave en la posición **PODA NORMAL**.

**IMPORTANTE:** El **MODO DE PRECAUCIÓN EN REVERSA** permanecerá activado hasta que:

- a. Se coloque la llave en la posición **PODA NORMAL** o en la posición **STOP** (detención).
- b. Para colocar el freno de mano, el operador debe presionar totalmente el pedal del freno y sostenerlo hacia abajo mientras oprime suavemente el botón del freno de mano hacia adentro.

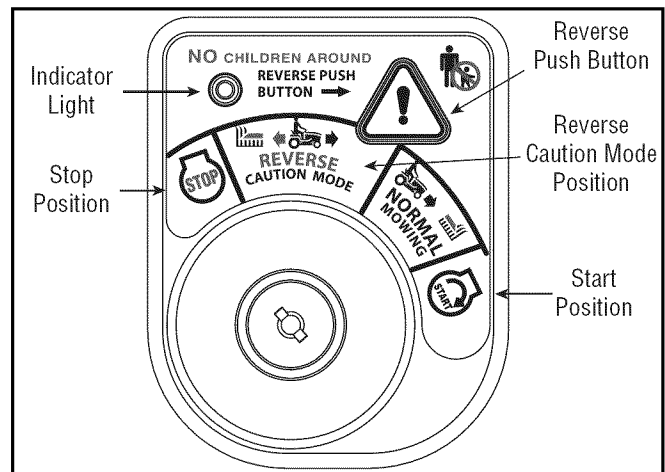


Figura 8

### Colocación del freno de mano

Para colocar el freno de mano:

- Presione totalmente el pedal del freno y manténgalo hacia abajo con el pie, mientras presiona suavemente el botón del freno de mano hacia adentro.
- Mantenga presionado el botón del freno de mano mientras quita su pie del pedal del freno.
- Una vez engranado, el botón del freno de mano y el pedal del freno se trabarán en la posición "abajo" ("down").

Para soltar el freno de mano:

- Presione ligeramente el pedal del freno.

**NOTA:** *Si el operador abandona el asiento y deja el motor funcionando, deberá colocar el freno de mano, o el motor se apagará de forma automática.*

## Configuración de la altura de corte

Seleccione la altura de corte de la cubierta de corte colocando la palanca de elevación de la cubierta en cualquiera de las seis muescas de altura de corte, en el lado derecho de la defensa. Luego ajuste las ruedas de la cubierta para que queden a una distancia de entre  $\frac{1}{4}$  de pulgada y  $\frac{1}{2}$  pulgada por encima del terreno, cuando el tractor se encuentre en una superficie lisa y plana, como por ejemplo un camino de entrada particular.



**ADVERTENCIA:** Mantenga sus manos y pies alejados de la abertura de descarga y de la cubierta de corte.

**NOTA:** Las ruedas de la cubierta constituyen una característica para el cuidado del césped, y no fueron diseñadas para soportar el peso de la cubierta de corte.

Consulte la sección **Nivelación de la cubierta** en la página 56 de este manual para obtener instrucciones detalladas sobre diferentes ajustes de la cubierta.

## Encendido del motor



**ADVERTENCIA:** No opere el tractor si el sistema de bloqueo funciona mal. Dicho sistema fue diseñado para brindarle seguridad y protección.

**NOTA:** Consulte la sección **Montaje del tractor** en la página 48 de este manual para obtener instrucciones sobre el llenado de aceite y gasolina.

- Inserte la llave del tractor en el interruptor de encendido.
- Coloque la palanca de corte de energía (enganche de cuchilla) en la posición de corte de energía (OFF).
- Coloque el freno de mano del tractor.
- Active el control de obturación.
- Gire la llave de encendido en el sentido de las agujas del reloj hasta la posición START (encendido). Una vez encendido el motor, suelte la llave. Volverá a la posición ON (encendido).

**IMPORTANTE:** NO sostenga la llave en la posición START (encendido) por más de diez segundos por vez. Si lo hace, puede ocasionar daños al arrancador eléctrico del motor.

- Una vez encendido el motor, desactive el control de obturación y coloque el control del regulador en la posición FAST (rápido).

**NOTA:** NO deje el control del regulador activado mientras opera el tractor. Si lo hace, se generará una mezcla "rica" de combustibles, lo cual hará que el motor pierda intensidad.

## Detención del motor



**ADVERTENCIA:** Si golpea contra algún objeto extraño, detenga el motor, desconecte el cable de la bujía y conecte el motor a masa. Inspeccione minuciosamente para ver si la máquina está dañada. Repare el daño antes de volver a encender el motor y operar la máquina.

- Si las cuchillas están enganchadas, coloque la palanca de corte de energía (enganche de cuchilla) en la posición de corte de energía (OFF).

- Gire la llave de encendido en sentido contrario al de las agujas del reloj hasta la posición **STOP** (detención).
- Retire la llave de encendido del interruptor para evitar que alguien encienda accidentalmente el motor.

## Conducción del tractor



**ADVERTENCIA:** Evite arrancar súbitamente, desarrollar excesiva velocidad y detenerse de repente.



**ADVERTENCIA:** No abandone el asiento del tractor sin colocar primero la palanca de corte de energía (enganche de cuchilla) en la posición de corte de energía (OFF), presionando el pedal del freno y colocando el freno de mano. Si deja el tractor sin vigilancia, apague el motor y retire la llave de encendido.

- Presione el pedal del freno para soltar el freno de mano, y luego deje que el pedal suba.
- Mueva la palanca del regulador a la posición FAST (rápido, representado por una liebre).

**IMPORTANTE:** NO utilice la palanca de cambios para cambiar la dirección de desplazamiento mientras el tractor esté en movimiento. Utilice siempre el pedal del freno para detener por completo el tractor antes de realizar el cambio de dirección.

- Para avanzar hacia adelante, coloque la palanca de cambios en la posición FORWARD (AVANCE), y luego presione lentamente el pedal de la transmisión hasta obtener la velocidad deseada.
- Para operar en reversa, coloque la palanca de cambios en la posición REVERSE (RETROCESO), verifique que no haya personas u objetos detrás de la máquina y presione lentamente el pedal de la transmisión.

## Operación en pendientes

Consulte la sección **INDICADOR DE PENDIENTE** en la página 47 para determinar en qué pendientes puede operar el tractor de manera segura.



**ADVERTENCIA:** No opere en inclinaciones mayores a 15 grados (elevación aproximada de 2 1/2 pies por cada 10 pies). El tractor podría voltearse y causar lesiones severas.

- Pude hacia arriba y abajo de las pendientes, NUNCA en forma transversal.
- Tenga extremo cuidado cuando cambie de dirección al operar la máquina en pendientes.
- Esté atento a los agujeros, raíces, rocas, objetos ocultos o abultamientos que puedan provocar que se derrape o se tropiece. El terreno desnivelado puede voltear la máquina. El césped alto puede ocultar obstáculos.
- Evite realizar giros cuando opere en una pendiente. Si debiera realizar un giro, baje de la pendiente. Subir una pendiente aumenta enormemente las posibilidades de que el vehículo dé una vuelta de campana.
- Evite detenerse cuando suba una pendiente. Si fuese necesario detenerse mientras sube una pendiente, arranque suave y cuidadosamente para reducir la posibilidad de que el tractor dé una voltereta hacia atrás.

## Activación del control de crucero

- Coloque la palanca de cambios en la posición FORWARD (AVANCE) y luego presione lentamente el pedal de la transmisión hasta obtener la velocidad deseada.
- Presione ligeramente el botón de control de crucero.
- Mientras continúa presionando el botón del control de crucero, levante su pie del pedal de la transmisión (debe sentir que engrana el cerrojo de crucero).
- Una vez engranado, el botón de control de crucero y el pedal de la transmisión se trabarán en la posición "down" ("abajo"), y el tractor mantendrá la misma velocidad de avance hacia adelante.

**NOTA:** El control de crucero no podrá activarse a la velocidad de piso más rápida del tractor. Si el operador intentara activarlo en esas condiciones, el tractor desacelerará automáticamente a la velocidad de piso óptima más rápida para poda.

Desactive el control de crucero utilizando uno de los siguientes métodos:

- Presione el pedal del freno para soltar el control de crucero y detener el tractor.
- Presione ligeramente el pedal de la transmisión.

Para cambiar a dirección reversa al operar con control de crucero, presione el pedal del freno para desactivar el control de crucero y hacer que el tractor se detenga por completo. Luego, coloque la palanca de cambios en posición REVERSE (RETROCESO) y presione el pedal de la transmisión.

## Enganche de las cuchillas

Si se utiliza la función de corte de energía (enganche de cuchillas) se suministra alimentación a la cubierta de corte o a otros aditamentos (disponibles por separado). Para enganchar las cuchillas, proceda de la siguiente manera:

- Mueva la palanca de control del regulador a la posición FAST (rápido, representado por una liebre).
- Tome la palanca de corte de energía PTO (enganche de cuchillas) y gírela totalmente hacia adelante hasta la posición de suministro de energía (ON).
- Mantenga la palanca del regulador en la posición FAST (rápido; representada por una liebre), para un uso más eficaz de la cubierta de corte o de otros aditamentos (disponibles por separado).

**IMPORTANTE:** El motor se apagará automáticamente si la palanca de corte de energía (enganche de cuchilla) está en posición de suministro de energía (ON), la palanca de cambios está en posición REVERSE (Retroceso) y la llave de encendido está en la posición de **PODA NORMAL**. Consulte la sección **Interruptores del dispositivo de bloqueo** en la página 53.

## Utilización de la palanca de elevación de la cubierta

Para elevar la cubierta de corte, mueva la palanca de elevación de la cubierta hacia la izquierda y colóquela en la muesca que mejor se adapte a la aplicación deseada. Consulte **Configuración de la altura de corte** unas páginas atrás en esta misma sección.

## Poda



**ADVERTENCIA:** Para ayudar a evitar el contacto con las cuchillas o una lesión por algún objeto que sea arrojado, mantenga a las personas que lo observan, a los ayudantes, niños y mascotas alejados al menos 25 metros de la máquina mientras está en funcionamiento. Detenga la máquina si alguien entra en la zona.

La siguiente información será de utilidad cuando use la cubierta de corte con su tractor.



**ADVERTENCIA:** Planifique el patrón de poda, para evitar que la descarga de materiales se realice hacia los caminos, las veredas, los observadores, etc. Evite además descargar material contra las paredes y obstrucciones que podrían provocar que el material descargado rebote contra el operador.

- No poda a alta velocidad de piso, especialmente si se ha instalado un juego de abonadora o un recolector de césped.
- Para obtener los mejores resultados, se recomienda realizar las dos primeras podas arrojando la descarga hacia el centro. Después de las dos primeras podas, cambie la dirección para arrojar la descarga hacia fuera, para equilibrar el corte. Esto otorgará un mejor aspecto al césped.
- No corte el césped demasiado corto. El césped corto es propicio para el crecimiento de malezas, y se pone amarillo rápidamente cuando escasea la lluvia.
- La poda debe siempre realizarse con el regulador del motor al máximo.
- En terrenos difíciles, puede resultar necesario pasar por segunda vez el tractor corta césped sobre el área ya podada, para obtener un corte más prolijo.
- NO intente podar malezas frondosas o césped extremadamente alto. Su tractor fue diseñado para cortar el césped, NO para podar malezas.
- Mantenga las cuchillas afiladas, y reemplácelas cuando se desgasten. Consulte la sección **Cuchillas de corte** en la página 60 de este manual para obtener instrucciones sobre cómo afilar correctamente las cuchillas.

## Faros delanteros

En algunos modelos, los faros se encienden (ON) cada vez que el motor del tractor está en funcionamiento. En otros modelos, los faros se encienden (ON) cada vez que se saca la llave de encendido de la posición STOP (detención).

En todos los modelos, los faros se apagan (OFF) cuando se coloca la llave de encendido en la posición STOP (detención).

## SECCIÓN 6: REALIZACIÓN DE AJUSTES



**ADVERTENCIA:** Nunca intente realizar algún tipo de ajuste mientras el motor está encendido, excepto los ajustes especificados en el manual del operador.

### Nivelación de la cubierta

**NOTA:** Controle la presión de neumáticos del tractor antes de realizar cualquier nivelación de la cubierta. Consulte la sección **Neumáticos** en la página 59 para obtener información sobre la presión de los neumáticos.

#### Nivelación delantero-posterior

El frente de la cubierta de corte tiene como soporte una barra estabilizadora que puede ajustarse para nivelar la cubierta de la parte delantera hacia la parte posterior. El frente de la cubierta debe ser entre  $\frac{1}{4}$  de pulgada y  $\frac{3}{8}$  de pulgada más bajo que la parte posterior de la cubierta. De ser necesario, realice un ajuste de la siguiente manera:

- Con el tractor estacionado en una superficie firme y plana, coloque la palanca de elevación de la cubierta en la muesca superior (posición más alta) y rote la cuchilla hasta la posición más próxima al canal de descarga, para que esté paralela al tractor.
- Mida la distancia desde la parte delantera de la punta de la cuchilla hasta el piso, y desde la parte posterior de la punta de la cuchilla hasta el piso.
- La primera medida obtenida debe ser entre  $\frac{1}{4}$ " y  $\frac{3}{8}$ " menor que la segunda medida. Determine la distancia aproximada necesaria para un ajuste adecuado y, de ser necesario, pase al siguiente paso.
- Afloje las dos contratuercas, si están presentes, en la parte trasera del soporte estabilizador de la cubierta.
- Localice las dos tuercas de seguridad que se encuentran en la parte delantera del soporte estabilizador. Vea la Figura 9. Ajuste las tuercas de seguridad para levantar la parte delantera de la cubierta; afloje las tuercas de seguridad para bajar la parte delantera de la cubierta.

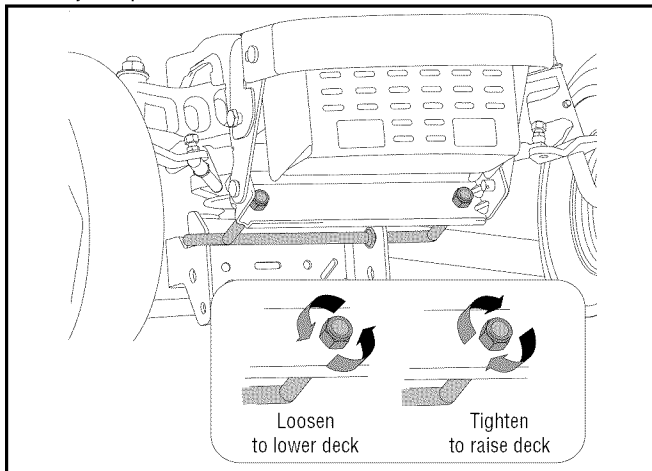


Figura 9

- Una vez realizados los ajustes necesarios, vuelva a ajustar las dos contratuercas que aflojó anteriormente.

#### Nivelación lado a lado

Si la cubierta de corte estuviera realizando la poda de forma despereja, puede realizarse un ajuste lado a lado. De ser necesario, realice un ajuste de la siguiente manera:

- Con el tractor estacionado en una superficie firme y plana, coloque la palanca de elevación de la cubierta en la muesca superior (posición más alta) y rote ambas cuchillas para que se sitúen de forma perpendicular al tractor.
- Mida la distancia desde la parte externa de la punta de la cuchilla izquierda hasta el piso, y desde la parte externa de la punta de la cuchilla derecha hasta el piso. Ambas medidas obtenidas deben ser iguales. Si no lo son, pase al siguiente paso.
- Afloje, pero NO extraiga, el tornillo de cabeza hexagonal ubicado en la ménsula del gancho izquierdo de la cubierta. Vea la Figura 10.

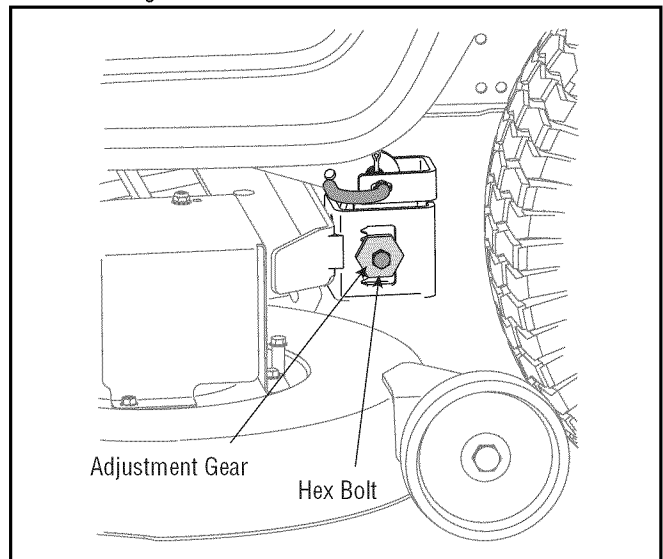


Figura 10

- Equilibre la cubierta utilizando una llave para girar el engranaje de ajuste (que se encuentra inmediatamente detrás del tornillo de cabeza hexagonal que se acaba de aflojar) en el sentido de las agujas del reloj/hacia arriba o en sentido contrario a las agujas del reloj/hacia abajo.
- La cubierta se encuentra correctamente equilibrada cuando las medidas tomadas antes a ambas puntas de las cuchillas sean iguales.
- Una vez realizado el ajuste necesario, vuelva a ajustar el tornillo de cabeza hexagonal de la ménsula del gancho izquierdo de la cubierta.

#### Ajuste del freno de mano



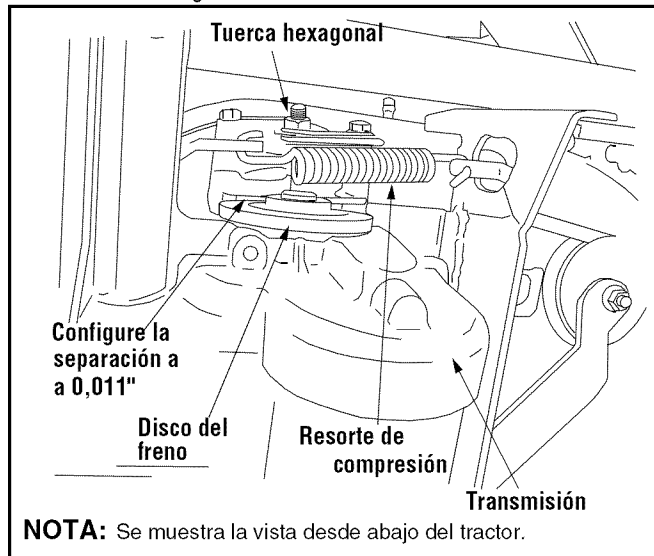
**ADVERTENCIA:** Nunca intente ajustar los frenos con el motor en marcha. Corte siempre la energía, mueva la palanca de cambios a la posición neutral, apague el motor y retire la llave, para evitar que alguien encienda accidentalmente el motor.

Si el tractor no se detiene por completo cuando se presiona totalmente el pedal, o si las ruedas traseras del tractor siguen rodando con el freno de mano colocado, el freno necesita ajustes. El disco del freno se encuentra en el lado derecho de



la transmisión, en la parte posterior del tractor. De ser necesario, realice un ajuste de la siguiente manera:

- Mirando la transmisión desde el lado derecho del tractor, localice el resorte de compresión y el disco del freno. Consulte la Figura 11.

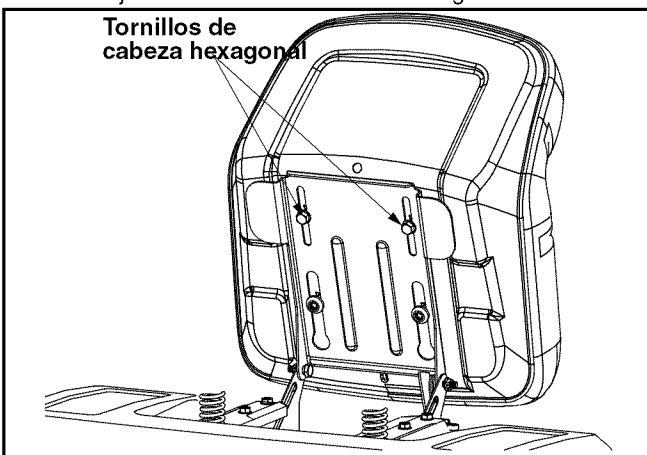


**Figura 11**

- Afloje, pero NO extraiga, la tuerca hexagonal ubicada en el lado derecho del montaje de frenos. Vea la Figura 11.
- Utilizando un calibrador de separaciones, configure la separación entre el disco del freno y el patín del freno a 0,011".
- Vuelva a ajustar la tuerca hexagonal que aflojó anteriormente.

## Ajuste de asiento

Para ajustar la posición del asiento, afloje los dos tornillos de cabeza hexagonal ubicados en la parte inferior del asiento. Deslice el asiento hacia adelante o hacia atrás, según desee. Vuelva a ajustar los dos tornillos. Vea la Figura 12.



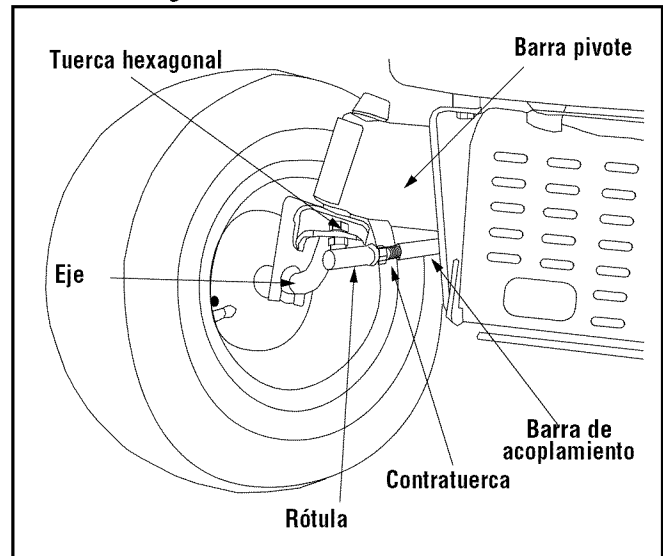
**Figura 12**

## Ajuste del volante

Si le cuesta girar el tractor en una dirección más que en la otra, o si se reemplazan las rótulas debido a daños o desgaste, puede ser necesario ajustar las barras de acoplamiento del volante.

Ajuste las barras de acoplamiento para roscar longitudes iguales en la rótula del lado izquierdo y la rótula del lado derecho.

- Afloje la contratuerca que se encuentra en la barra de acoplamiento de la parte posterior de la rótula. Vea la Figura 13.



**Figura 13**

- Extraiga la tuerca hexagonal de la parte superior de la rótula. Vea la Figura 13.
- Rosque la rótula hacia la contratuerca para acortar la barra de acoplamiento. Rosque la rótula en dirección contraria a la contratuerca para alargar la barra de acoplamiento.
- Una vez realizado el ajuste necesario, reemplace la tuerca hexagonal y vuelva a ajustar la contratuerca.

**NOTA:** Si se roscan las rótulas demasiado lejos sobre las barras de acoplamiento, las ruedas delanteras convergerán demasiado lejos. La convergencia adecuada se encuentra entre 1/16" y 5/16".

La convergencia de las ruedas delanteras puede medirse de este modo:

- Coloque el volante en posición de operación hacia delante.
- Delante del eje, mida la distancia de forma horizontal desde el interior del borde izquierdo al interior del borde derecho. Anote la distancia.
- Detrás del eje, mida la distancia de forma horizontal desde el interior del borde izquierdo al interior del borde derecho. Anote la distancia.
- La medición tomada delante del eje debe ser entre 1/16" y 5/16" menor que la medición tomada detrás del eje. Ajuste de ser necesario.

## SECCIÓN 7: MANTENIMIENTO DE SU TRACTOR CORTA CÉSPED



**ADVERTENCIA:** Antes de realizar tareas de mantenimiento o reparaciones, corte siempre la energía, mueva la palanca de cambios a la posición neutral, coloque el freno de mano, apague el motor y retire la llave, para evitar que alguien encienda accidentalmente el motor.

### Manual

Consulte el manual del Propietario/Operador *Briggs & Stratton* para obtener instrucciones sobre el mantenimiento del motor.

Controle el nivel de aceite del motor antes de cada uso, como se indica en el manual del Propietario/Operador *Briggs & Stratton*, que viene embalado con la unidad. **Siga cuidadosamente las instrucciones.**

### Cambio de aceite del motor

**NOTA:** Dependiendo del modelo de motor de su tractor, puede resultar necesario extraer el panel lateral del tractor para reemplazar el filtro de aceite (si el modelo está equipado con uno).

- Desenrosque el tapón de llenado de aceite y extraiga la varilla de nivel de aceite del tubo de llenado. Vea la Figura 14.

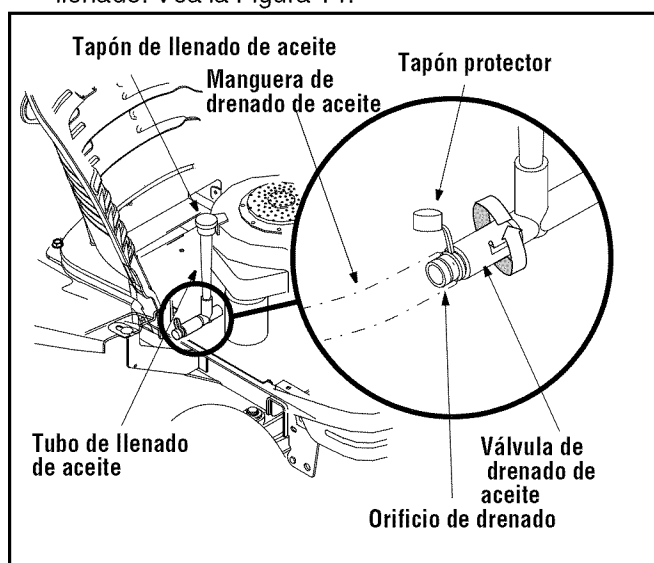


Figura 14

- Abra el tapón protector en el extremo de la válvula de drenado de aceite para dejar expuesto el orificio de drenado. Vea la Figura 14.
- Inserte la manguera de drenado de aceite (embalada con este manual) dentro del orificio de drenado de aceite. Coloque el extremo opuesto de la manguera en un depósito de recolección de aceite que posea una capacidad no menor a 64 oz.
- Empuje ligeramente hacia adentro la válvula de drenado de aceite, luego rótelas en sentido contrario al de las agujas del reloj y tire hacia afuera para comenzar el drenado de aceite. Vea la Figura 14.
- Realice el mantenimiento del filtro de aceite (si la unidad está equipada con uno), tal como se indica en el manual del

Propietario/Operador *Briggs & Stratton*, que viene embalado con la unidad.

Siga los pasos anteriores en el orden contrario una vez que se ha terminado de drenar el aceite.

- Vuelva a llenar el motor con aceite nuevo.

**IMPORTANTE:** Consulte el manual del Propietario/Operador *Briggs & Stratton*, que viene embalado con su unidad, para obtener información sobre la cantidad y el peso adecuados del aceite del motor.

### Filtro de aire

Realice el mantenimiento del pre-filtro (si la unidad está equipada con uno) y del cartucho/filtro de aire tal como se indica en el manual del Propietario/Operador *Briggs & Stratton*, que viene embalado con la unidad.

### Bujía(s) de encendido

Limpie la bujía y restablezca la separación por lo menos una vez por temporada. Se recomienda reemplazar la bujía al inicio de cada temporada. Consulte el manual del Propietario/Operador *Briggs & Stratton* para obtener especificaciones sobre el tipo de bujía y la separación adecuada.

### Lubricación



**ADVERTENCIA:** Antes de realizar tareas de lubricación, reparaciones o inspecciones, corte siempre la energía, mueva la palanca de cambios a la posición neutral, coloque el freno de mano, apague el motor y retire la llave, para evitar que alguien encienda accidentalmente el motor.

### Manual

Lubrique el motor con aceite, tal como se indica en el manual del Propietario/Operador *Briggs & Stratton*, que viene embalado con su unidad.

### Puntos de pivote y enlace

Lubrique todos los puntos de pivote del sistema de impulsión, el freno de mano y el enlace de elevación al menos una vez por temporada con aceite ligero.

### Ruedas traseras

Las ruedas traseras deben extraerse de los ejes una vez por temporada. Lubrique bien los ejes y los bordes con grasa para todo uso antes de reinstalarlas.

### Ejes delanteros

Cada extremo de la barra de pivote delantera del tractor puede estar equipada con un accesorio de engrasado. Lubrique con una pistola de grasa cada 25 horas de funcionamiento del tractor.

### Limpieza del motor y de la cubierta

Si se derrama gasolina o aceite sobre la máquina, debe limpiarse de inmediato. NO permita que se acumulen desechos alrededor de las aletas de enfriamiento del motor ni en ninguna otra parte de la máquina.

**IMPORTANTE:** NO se recomienda utilizar una limpiadora a presión para limpiar el tractor. Puede producir daños a los componentes eléctricos, engranajes, poleas, rodamientos o al motor.

## SECCIÓN8: MANTENIMIENTO

### Extracción de la cubierta de corte

Para extraer la cubierta de corte, proceda de la siguiente manera:

- Coloque la palanca de corte de energía PTO (enganche de cuchilla) en la posición de corte de energía (OFF), y coloque el freno de mano.
- Baje la cubierta moviendo la palanca de elevación de la cubierta hasta la muesca inferior en la defensa derecha.
- Retire la correa de corte de energía (PTO) de alrededor de la polea del motor del tractor y de la(s) polea(s) loca(s). Consulte la sección **Cambio de la correa de la cubierta y de la correa de corte de energía (PTO)** y la Figura 18.

**NOTA:** Para extraer la correa de corte de energía (PTO), puede que sea necesario extraer las guardas de la correa de alrededor de la polea del motor.

- Mirando a la cubierta de corte desde el lado izquierdo del tractor, localice el broche de sostén de la cubierta ubicado en el lateral posterior izquierdo de la cubierta. Vea la Figura 15.

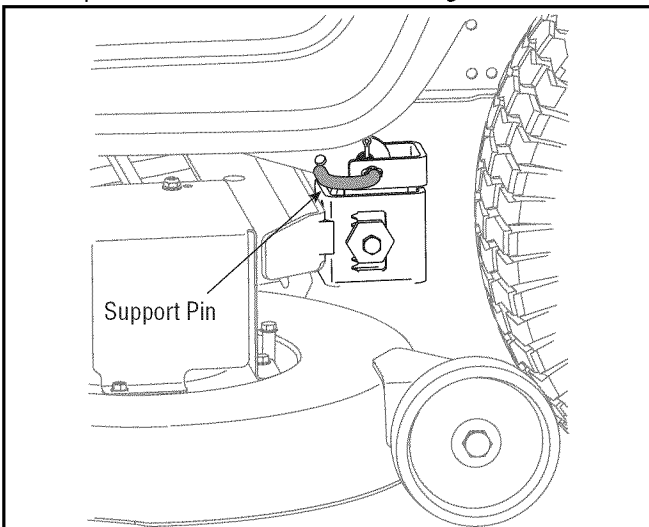


Figura 15

- Tire hacia afuera el broche de sostén de la cubierta, para separar la cubierta del brazo de elevación de la cubierta.
- Rote ligeramente el broche hacia la parte posterior del tractor y suelte el broche dentro del orificio proporcionado.
- Repita los pasos anteriores en el lado derecho del tractor.
- Mueva la palanca de elevación de la cubierta hacia la muesca superior en la defensa derecha, para levantar los brazos de elevación de la cubierta y retirarlos del paso.

**NOTA:** Este modelo está equipado con un cable corto que controla el freno del mecanismo de la cubierta. Es necesario desenganchar este cable para extraer por completo la cubierta de corte del tractor. Asegúrese de volver a colocar el cable al reensamblar la cubierta de corte.

- Deslice suavemente la cubierta de corte hacia la parte delantera del tractor, permitiendo que los ganchos de la cubierta se suelten de la varilla estabilizadora.
- Deslice suavemente la cubierta de corte (desde el lado derecho) hacia fuera desde la parte inferior del tractor.

### Neumáticos



**ADVERTENCIA:** Nunca exceda la presión máxima de inflado que se indica en los laterales de los neumáticos.

La presión de neumáticos recomendada para operar la unidad es:

- Aproximadamente 10 psi para las ruedas traseras
- Aproximadamente 14 psi para las ruedas delanteras

**IMPORTANTE:** Consulte los laterales de las ruedas para conocer la presión máxima en psi recomendada por el fabricante. No infle los neumáticos en exceso. Una presión de neumáticos despareja podría hacer que la cubierta de corte podara el césped de forma desigual.

### Batería

La batería está sellada, y no necesita mantenimiento. Los niveles de ácido no pueden verificarse.

- Siempre mantenga limpios y libres de acumulación de elementos corrosivos los cables y los terminales de la batería.
- Después de limpiar la batería y los terminales, aplique una capa delgada de vaselina o grasa a ambos terminales.
- Siempre mantenga los capuchones de goma colocados sobre el terminal positivo para prevenir un cortocircuito.

**IMPORTANTE:** Si por alguna razón extrae la batería, desconecte primero el cable NEGATIVO (negro) de su terminal y a continuación el cable POSITIVO (rojo). Cuando vuelva a instalar la batería, conecte siempre primero el cable POSITIVO (rojo) a su terminal, y a continuación el cable NEGATIVO (negro). Asegúrese de que los cables estén conectados a los terminales correctos, ya que si los cambia se podría invertir la polaridad y provocar un daño al sistema alternador del motor.

### Carga

Si no se ha utilizado el tractor por un periodo largo de tiempo, cargue la batería con un cargador de 12 voltios del tipo de los utilizados en los automóviles, por un mínimo de **una hora, a seis amperes**.



**ADVERTENCIA:** Al cargarse, las baterías emiten un gas que puede causar explosiones. Cargue la batería en un área bien ventilada, y aléjela del fuego o aparatos con piloto, como por ejemplo calentadores de agua, calefactores de ambiente, hornos, secadores de ropa u otros aparatos a gas.

## Arranque con cables



**ADVERTENCIA:** Cuando extraiga o instale la batería, siga estas instrucciones para impedir que el destornillador provoque un cortocircuito contra el marco.

**IMPORTANTE:** Nunca haga arrancar la batería descargada de su tractor con la batería de un vehículo en marcha.

- Conecte el extremo de una pinza de batería al terminal positivo de la batería que funciona, y el otro extremo al terminal positivo de la batería descargada.
- Conecte la otra pinza de batería al terminal negativo de la batería que funciona, luego al **marco de la unidad que posee la batería descargada.**



**ADVERTENCIA:** Si no se utiliza dicho procedimiento, podrían generarse chispas, y podría explotar el gas de alguna de las dos baterías.

## Limpieza

Limpie la batería extrayéndola del tractor y lavándola con una solución de bicarbonato y agua. De ser necesario, restriegue los terminales de la batería con un cepillo de alambre, para eliminar depósitos. Cubra los terminales y los cables expuestos con grasa o vaselina, para impedir la corrosión.

## Fallas de la batería

Algunas causas comunes de fallas de la batería son:

- activación inicial incorrecta
- baja carga
- exceso de carga
- conexiones corroídas
- congelamiento

Estas fallas **NO** están cubiertas por la garantía de su tractor.

## Cuchillas de corte



**ADVERTENCIA:** Antes de extraer las cuchillas para afilarlas o reemplazarlas, asegúrese de apagar el motor, retirar la llave de encendido, desconectar el/los cable(s) de la bujía y hacer masa contra el motor para impedir un encendido accidental del motor. Proteja sus manos usando guantes para trabajo pesado o usando una estopa para sujetar la cuchilla.



**ADVERTENCIA:** Inspeccione periódicamente el adaptador de la cuchilla en busca de rajaduras o daños, especialmente cuando golpee un objeto extraño. Reemplace de inmediato si está dañado.

Se pueden extraer las cuchillas de la siguiente manera.

- Extraiga la cubierta de la parte inferior del tractor, (consulte la sección **Extracción de la cubierta de corte** en la página 59); luego voltee con delicadeza la cubierta para dejar al descubierto su parte inferior.
- Coloque un trozo de madera entre el deflector de la caja central de la cubierta y la cuchilla de corte, para que actúe como estabilizador. Vea la Figura 16.

- Utilice una llave de 15/16" para extraer la tuerca de brida hexagonal que fija la cuchilla al montaje del husillo. Vea la Figura 16.

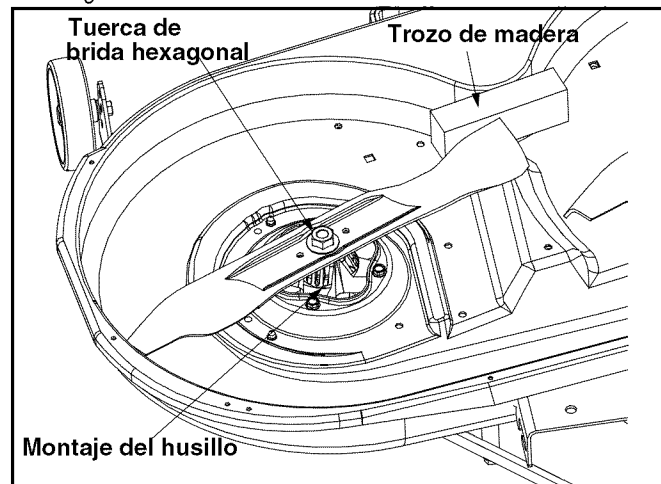


Figura 16

- Para afilar las cuchillas de corte de forma adecuada, extraiga cantidades iguales de metal de ambos extremos de las cuchillas a lo largo de los bordes cortantes, de forma paralela al borde de caída, a un ángulo de 25° a 30°. Vea la Figura 17.

**IMPORTANTE:** Si el borde de corte de la cuchilla ya ha sido afilado hasta dentro de 5/8" del radio del ventilete, o si existe una separación de metales, reemplace las cuchillas con otras nuevas. Vea la Figura 17.

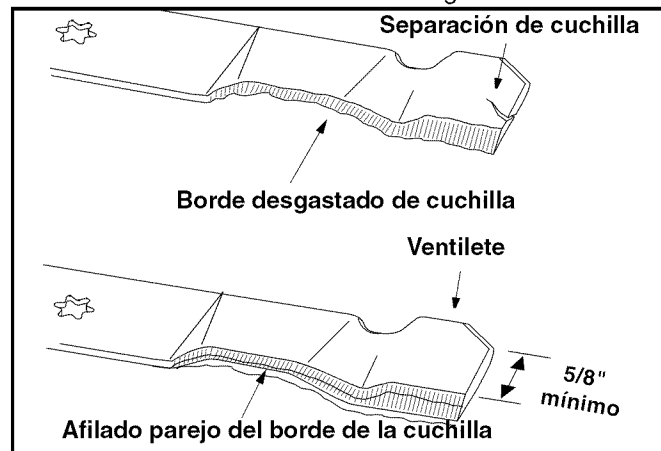


Figura 17

Es importante que cada borde de corte de la cuchilla esté bien colocado, para mantener el equilibrio adecuado de la cuchilla.

Una cuchilla desequilibrada causará vibración excesiva, y puede ocasionar daños al tractor y lesiones físicas. Se puede probar la cuchilla balanceándola sobre un destornillador o clavo. Afíle el metal del lado pesado hasta que quede bien equilibrada.

Cuando reemplace la cuchilla, asegúrese de instalarla con el lado marcado "Bottom" (inferior) (o con el lado que posee un número de pieza estampado) mirando al piso cuando la podadora está en posición de operación.

**IMPORTANTE:** Utilice una llave de torsión para ajustar la tuerca de brida hexagonal del husillo de la cuchilla hasta entre 70 pies-libras y 90 pies-libras.

## Fusibles

En el mazo de cables de su tractor están instalados dos fusibles, para proteger el sistema eléctrico del tractor de daños causados por exceso de amperaje.

Si el sistema eléctrico no funciona, o el motor de su tractor no arranca, verifique primero que el fusible no se haya quemado.

Uno de los fusibles se encuentra debajo del cofre, montado detrás de la parte superior del tablero de instrumentos, en la barra de soporte. El otro se encuentra debajo del asiento, montado en el interior del marco del tractor, junto a la bandeja de la batería.



**ADVERTENCIA:** Para reemplazarlo, utilice siempre un fusible que posea la misma capacidad de amperaje.

## Cambio de la correa de la cubierta y de la correa de corte de energía (PTO)



**ADVERTENCIA:** Antes de extraer la(s) correa(s), asegúrese de apagar el motor, retirar la llave de encendido, desconectar el/ los cable(s) de la bujía y hacer masa contra el motor para impedir un encendido accidental del motor.



**ADVERTENCIA:** Evite heridas causadas por pellizcos. Al extraer la correa, cuide de no colocar sus dedos en el resorte intermedio o entre la correa y una polea.

Todas las correas de su tractor están sujetas a desgaste, y se las debe cambiar si se presentan signos de desgaste.

**IMPORTANTE:** Las correas en V de su tractor están diseñadas especialmente para que se engranen y desengranen sin riesgos. El uso de una correa en V sustituta (que no sea del fabricante del equipo original) puede resultar peligroso si la misma no se desengrana completamente. Para que la máquina funcione de manera adecuada, use correas aprobadas por el fabricante.

Para cambiar o reemplazar la correa de la cubierta y la correa de corte de energía (PTO) de su tractor, realice lo siguiente:

- Baje la cubierta moviendo la palanca de elevación de la cubierta hasta la muesca inferior en la defensa derecha.
- Extraiga las guardas de la correa retirando los tornillos autoroscantes que las sujetan a la cubierta.
- Tome la porción más posterior del soporte intermedio de corte de energía (PTO) y gírela hacia el canal de descarga, para aliviar la tensión de la correa de corte de energía.
- Retire la correa de corte de energía (PTO) de alrededor de la polea del motor y de la(s) polea(s) loca(s) de corte de energía.
- Tome la polea loca de la cubierta y gírela hacia el lado izquierdo de la cubierta, para liberar la tensión de la correa de la cubierta.
- Retire la correa de la cubierta de alrededor de todas las poleas, incluyendo la(s) polea(s) loca(s) de la cubierta.
- Coloque la(s) nueva(s) correa(s) (**primero la correa de la cubierta**) tal como se muestra en la Figura 18.
- Reensamble las guardas de la correa que extrajo anteriormente.

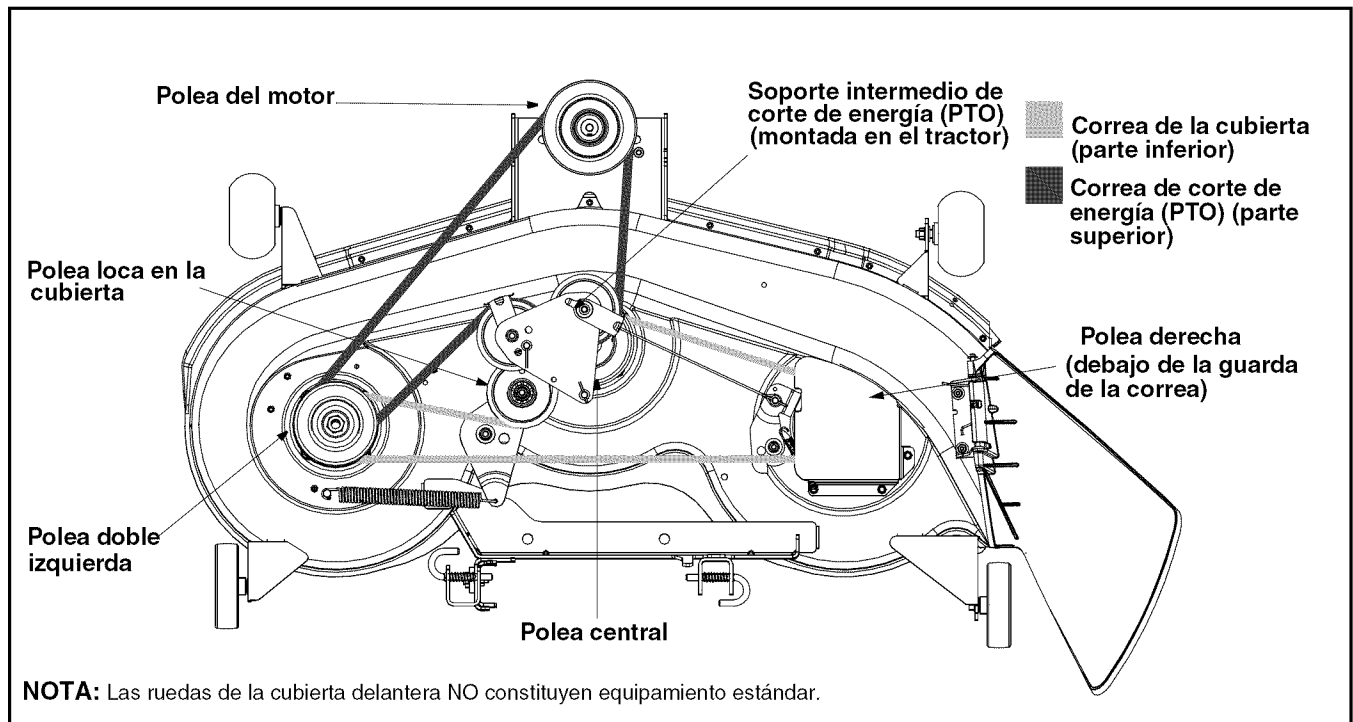


Figura 18

## Cambio de las correas de la transmisión

**NOTA:** Para cambiar las correas de la transmisión del tractor, se deben retirar varios componentes y herramientas especiales (es decir, aire/llave de choque) utilizadas. Solicite

a un distribuidor autorizado MTD que efectúe el reemplazo de las correas de la transmisión, o contáctese con el Departamento de Asistencia al Cliente tal como se indica en la página 42 para obtener información sobre cómo solicitar un Manual de Mantenimiento MTD.

---

## SECCIÓN 9: ALMACENAMIENTO FUERA DE TEMPORADA

Limpie y lubrique el tractor tal como se indica en la **Sección 7: MANTENIMIENTO DE SU TRACTOR CORTA CÉSPED** en la página 58 de este manual antes de almacenar la unidad por un periodo extenso.



**ADVERTENCIA:** Drene el combustible únicamente dentro de un recipiente aprobado y en un lugar al aire libre, lejos de todo tipo de llama. Permita que el motor se enfríe. Antes de vaciar el combustible, apague cigarrillos, cigarrillos, pipas y otras fuentes de combustión.

Antes de almacenar su tractor, siga las instrucciones de la sección **Mantenimiento, almacenamiento y especificaciones** del manual del Propietario/Operador *Briggs & Stratton*, para informarse sobre el cuidado adecuado del motor.



**ADVERTENCIA:** Nunca almacene la máquina o el recipiente de combustible en un espacio cerrado donde haya fuego, chispas o luz piloto como por ejemplo, de calentadores de agua, hornos, secadores de ropa u otros aparatos a gas.

---

## SECCIÓN 10: ADITAMENTOS Y ACCESORIOS

Los siguientes aditamentos y accesorios son compatibles con el Tractor Corta Césped Modelo 601. Consulte al minorista a quien le adquirió su tractor, a un distribuidor autorizado *MTD* o al teléfono (800) 800-7310 para obtener información sobre precios y disponibilidad.

**NOTA:** Los Tractores Corta Césped Modelo 601 NO fueron diseñados para ser utilizados con aditamentos de corte (como por ejemplo cultivadores o arados). Si se utilizan dichos aditamentos, SE INVALIDARÁ la garantía del tractor.

MODELO	DESCRIPCIÓN
Fabricante del equipo original -190-118	Juego de abonadora de 46"
Fabricante del equipo original -190-182	Recolector de césped con sistema de embolsado doble FastAttach™ (para cubiertas de 46")
Fabricante del equipo original -190-604	Recipiente de almacenamiento/Caja de herramientas FastAttach™ Yard-Mate™ (se montan en la parte posterior del tractor)*
Fabricante del equipo original -190-607	Parasol de lujo FastAttach™ para tractor*
Fabricante del equipo original -190-672	Juego de defensas para guarda en forma de parrilla FastAttach™ (se instala en la parte delantera del tractor)
Fabricante del equipo original -190-823	Máquina quitanieve FastAttach™ de dos etapas, de 42"
Fabricante del equipo original -190-833	Cuchilla FastAttach™ de 46" para oruga delantera

\* No es compatible con tractores equipados con Recolector de Césped

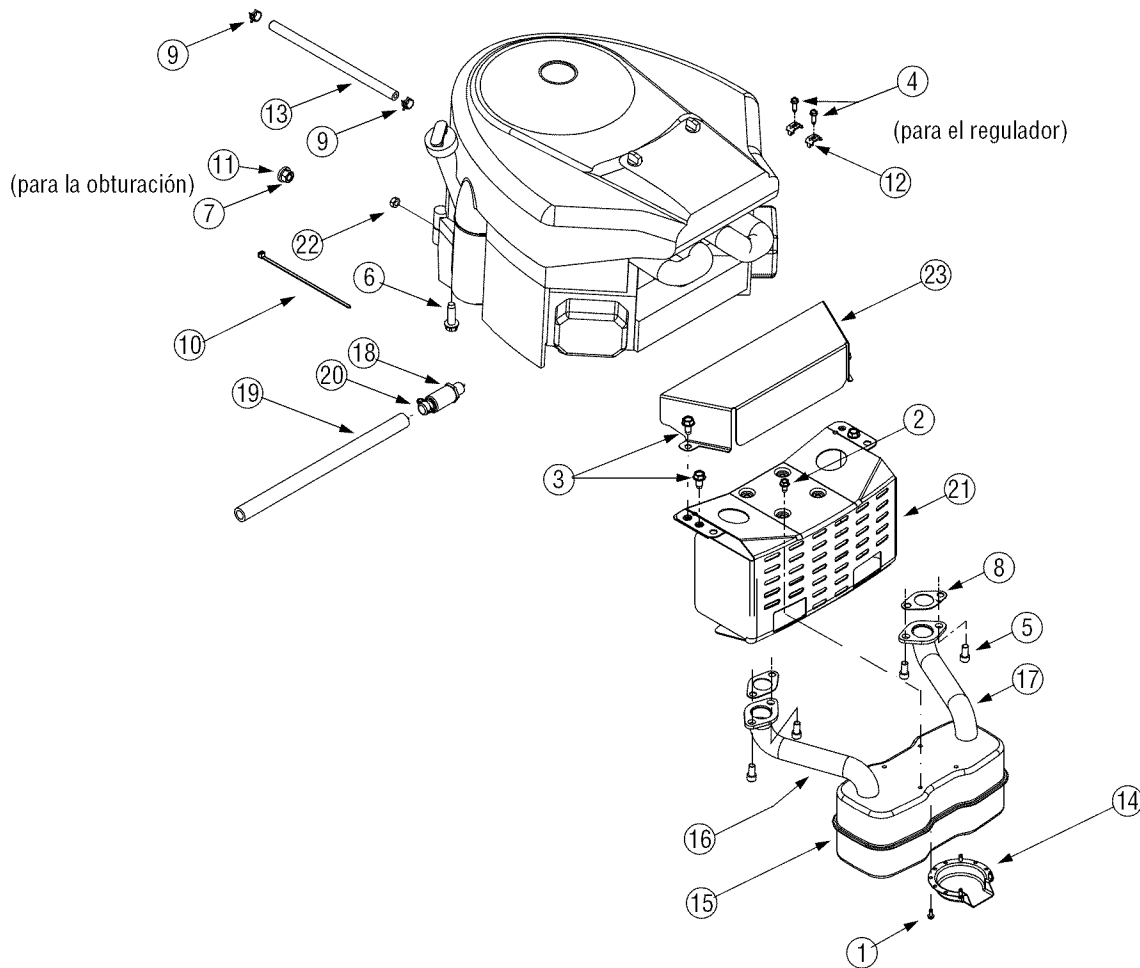
## SECCIÓN 11: SOLUCIÓN DE PROBLEMAS

Problema	Causa(s) posibles	Acciones correctivas
El motor no arranca	<p>El sistema de corte de energía está en posición de suministro de energía</p> <p>No está colocado el freno de mano Se ha desconectado el cable de la bujía. La palanca de control del regulador no está en la posición de arranque correcta. No se ha activado la obturación El depósito de combustible está vacío o el combustible es viejo. La línea del combustible está bloqueada. La bujía no funciona correctamente. Motor inundado.</p>	<p>Coloque la palanca de corte de energía (PTO) en la posición de corte de energía (OFF). Coloque el freno de mano. Conecte el cable a la bujía. Mueva la palanca del regulador a la posición FAST (rápido).</p> <p>Retire el control de obturación. Llene el tanque con gasolina limpia y nueva (de menos de 30 días). Limpie la línea del combustible o reemplace el filtro de combustible, si la unidad cuenta con uno. Limpie o cambie la bujía, o ajuste la separación. Arranque el motor con el regulador en posición FAST (rápido)</p>
El motor funciona de manera errática	<p>La unidad está funcionando con la posición CHOKE (obturación) aplicada. Se ha aflojado el cable de la bujía. La línea del combustible está bloqueada o el combustible es viejo.</p> <p>La ventilación en la tapa del combustible está obstruida. Agua o suciedad en el sistema de combustible.</p> <p>El filtro de aire está sucio.</p>	<p>Presione el control de obturación. Conecte y ajuste el cable de la bujía. Limpie la línea de combustible, llene el tanque con gasolina limpia y nueva (de menos de 30 días). Reemplace el filtro de combustible, si la unidad cuenta con uno. Destape la ventilación o reemplace la tapa si está dañada. Vacíe el tanque de combustible. Vuelva a llenar el tanque con gasolina limpia y nueva (de menos de 30 días). Reemplace el cartucho/elemento del filtro de aire o limpie el pre-filtro, si la unidad está equipada con uno.</p>
El motor recalienta	<p>El nivel de aceite del motor es bajo. Flujo de aire restringido.</p>	<p>Llene el cárter con la adecuada cantidad y peso de aceite. Elimine los recortes de césped y los desechos de alrededor de las aletas de enfriamiento del motor y de la carcasa del soplador.</p>
El motor vacila en RPM altas	<p>La separación de las bujías es muy poca.</p>	<p>Retire las bujías y vuelva a configurar la separación.</p>
Funciona mal en marcha lenta	<p>Bujía atorada, averiada o exceso de separación. El filtro de aire está sucio.</p>	<p>Reemplace la bujía. Configure la(s) bujía(s) de encendido</p> <p>Reemplace el cartucho/elemento del filtro de aire o limpie el pre-filtro, si la unidad está equipada con uno.</p>
Demasiada vibración	<p>Cuchilla floja o desequilibrada. Cuchilla dañada o curvada.</p>	<p>Apriete la cuchilla y el husillo. Equilibre la cuchilla Reemplace la cuchilla.</p>
La podadora no regresa el recorte de césped como abono.	<p>La velocidad del motor es demasiado lenta. Césped húmedo. Césped excesivamente alto.</p> <p>La cuchilla de la cortadora no está afilada.</p>	<p>Coloque el control del regulador en la posición FAST (rápido, representado por una liebre). No corte el césped cuando esté mojado, espere hasta que sea más tarde para hacerlo. Pode una vez a una altura de corte elevada y luego vuelva a realizar el corte a la altura deseada, o siga una ruta de corte más estrecha. Afile o cambie la cuchilla.</p>
Corte desigual	<p>La cubierta no está correctamente equilibrada. La cuchilla de la cortadora no está afilada. Presión desigual de neumáticos.</p>	<p>Realice un ajuste de la cubierta lado a lado. Afile o cambie la cuchilla. Verifique la presión de los cuatro neumáticos.</p>

## NOTAS



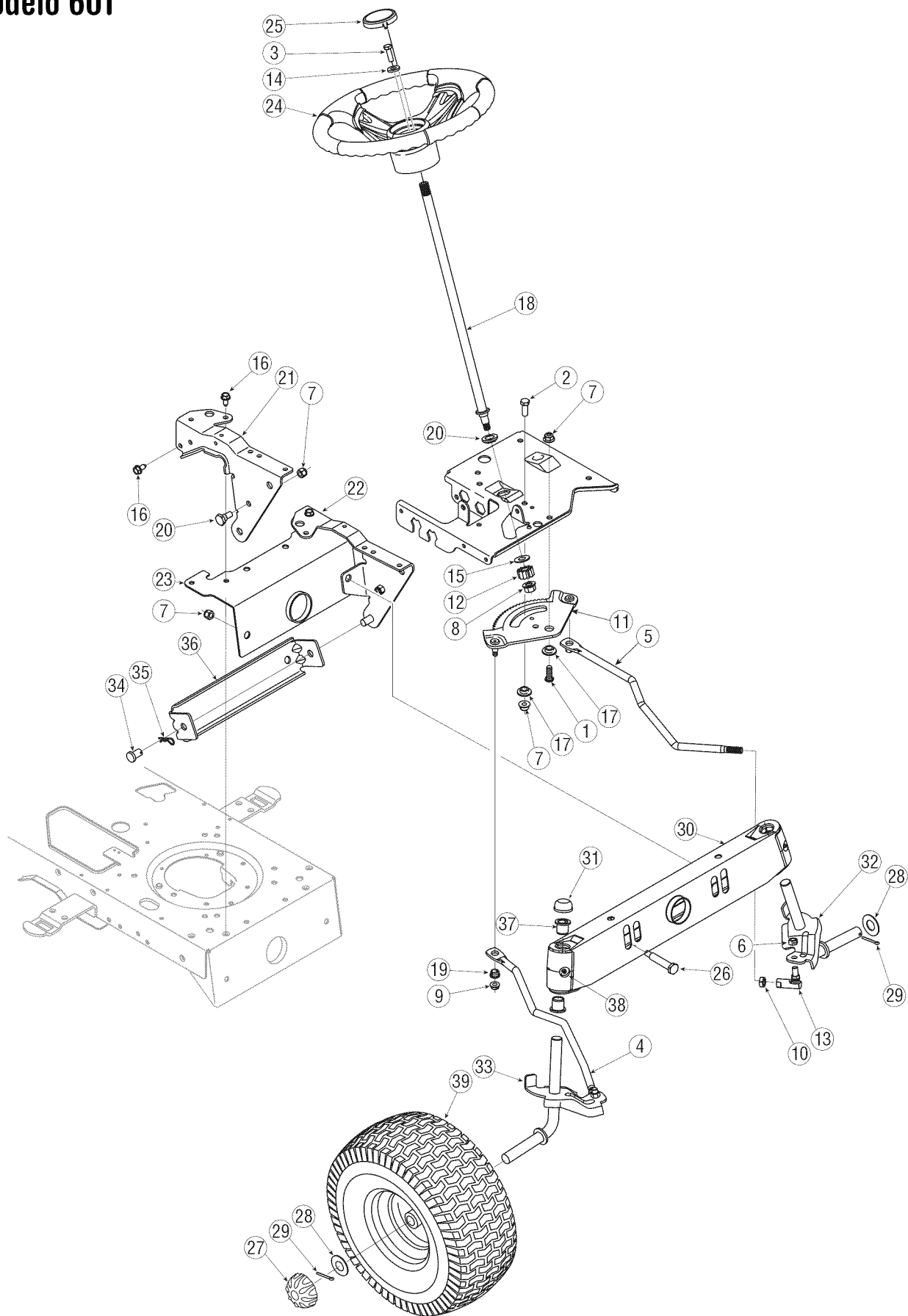
## SECCIÓN12: LISTA ILUSTRADA DE PIEZAS



N° DE REF	N° DE PIEZA	DESCRIPCIÓN	N° DE REF	N° DE PIEZA	DESCRIPCIÓN
1	710-0227	Tornillo #8 -18 x 0,50	13	751-0535	Manguera de la línea de combustible
2	710-0599	Tornillo, 1/4-20 x 0,50	14	751-0564A	Deflector del silenciador
3	710-0726	Tornillo, 5/16-18 x 0,750	15	751-0616A	Silenciador, Doble entrada
4	710-1237	Tornillo, #10-32 x 0,625	16	751-0650B	Caño de escape LD
5	710-1.314A	Tornillo de cabeza hueca 5/16-18 x 0,625	17	751-0651B	Caño de escape LI
6	710-1315	Tornillo autorroscante, 3/8-16 x 1,25	18	751-3140	Válvula de drenado de aceite
7	712-3005	Tuerca de seguridad de brida, 3/8-16	19	751-3141	Manguera de drenado de aceite
8	721-0460	Junta de escape	20	751-3142	Tapón de drenado de aceite
9	726-0205	Abrazadera de la manguera	21	783-0615D	Freno del silenciador
10	725-0157	Unión de cable	22	712-0271	Tuerca Sems, 1/4-20
11	736-0300	Arandela de seguridad, 0,406 x 0,875 x 0,059	23	783-0625C	Coraza térmica
12	751B221535	Grapas para marco			

**NOTA:** Las características técnicas del tractor pueden variar según los modelos. NO todas las piezas enumeradas e ilustradas más arriba corresponden al equipamiento convencional.

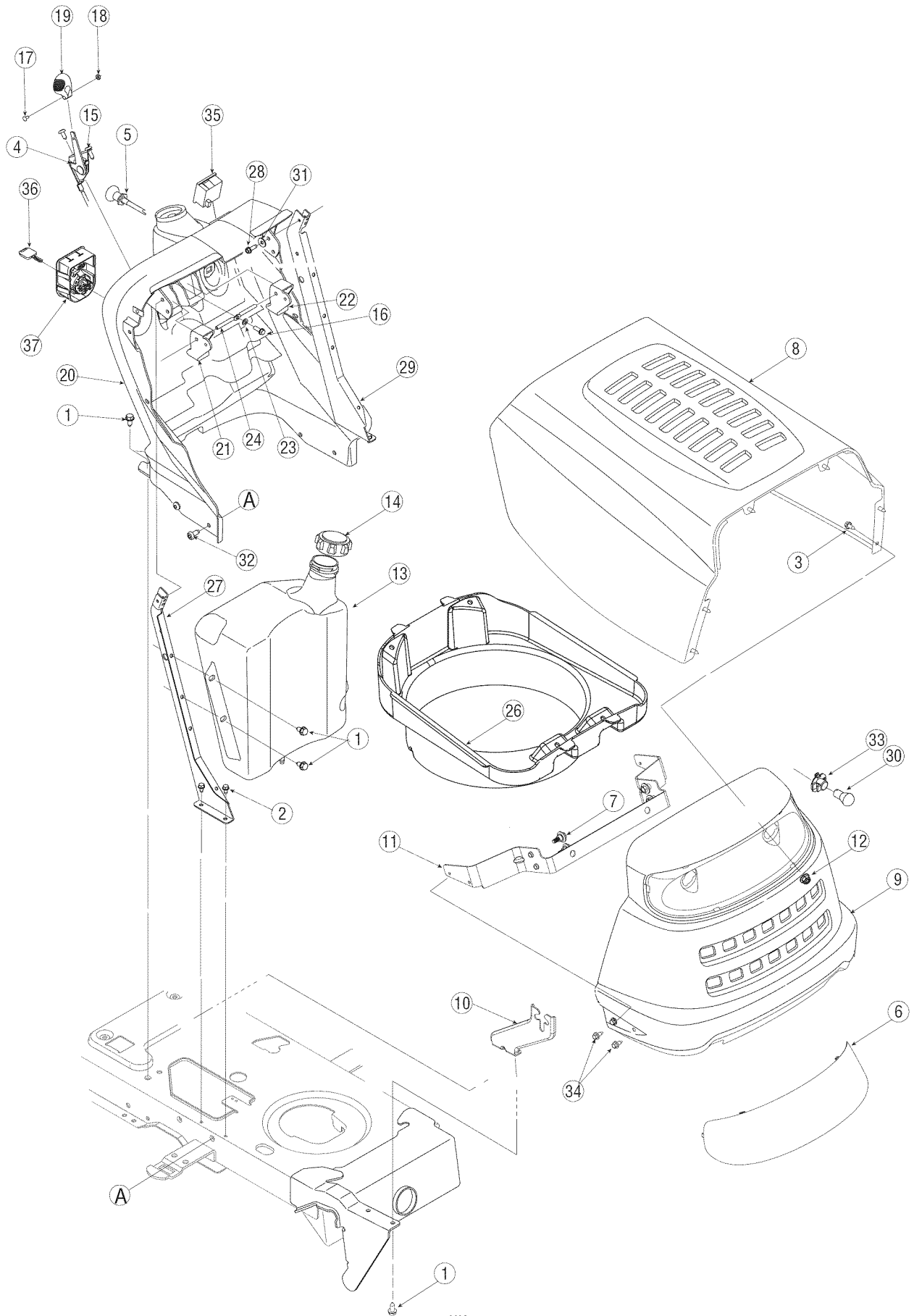
# Modelo 601



# Modelo 601

N° DE REFERENCIA	N° DE PIEZA	DESCRIPCIÓN
1	710-04095	Tornillo hexagonal, 3/8-16, 1,00, Gr5
2	710-0514	Tornillo hexagonal, 3/8-16, 1,00, Gr5
3	710-0643	Tornillo hexagonal, 5/16-18, 1,00, Gr5
4	711-1408	Acoplamiento, Barra de, LD
5	711-1.409A	Acoplamiento, Barra de, LI
6	712-0214	Tuerca, De seguridad hexagonal, 3/8-24
7	712-04065	Tuerca, De seguridad de brida, 3/8-16, Grf, Nylon
8	712-0459	Tuerca, De seguridad de brida, 7/16-20
9	712-3.004A	Tuerca, De seguridad de brida, 5/16-18, Gr5
10	712-0240	Contratuerca, 7/16-20, Gr2
11	717-1550E	Engranajes, Dirección, Proporción 11/90
12	717-1554	Engranaje, Piñón, Dirección
13	723-0448A	Rótula, 7/16-20, Bloqueo
14	736-3004	Arandela, Plana, 0,406 x 0,875 x 0,105
15	736-3084	Arandela, Plana, 0,51 x 1,12 x 0,06
16	710-0726	Tornillo, 5/16-12, 0,750
17	738-04154	Separador, Reborde, 0,38 x 1,00 x 0,31
18	738-1.001A	Dirección, Flecha de, 0,625 de diámetro exterior x 24,25 de longitud
19	741-0475	Manguito plástico 0,380 de diámetro interior
20	738-0143	Tornillo, Reborde, 0,498 x 0,340, 3/8-16
21	783-0726D	Soporte de pivote, LD
22	783-0727C	Soporte de pivote, LI
23	783-0728	Soporte de pivote, Barra
24	631-04028	Volante de dirección
25	731-04040	Tapa del volante
26	738-1.011A	Tornillo con reborde, 0,5 x 2,2, 3/8-16
27	734-2.290A	Tapón para cubo de lujo
28	736-0316	Arandela plana, 0,78 x 1,589 x 0,06
29	714-04039	Pasador de chaveta, 5/32 x 1,25
30	683-0128B	Barra pivote
31	726-0341	Tapa a presión
32	638-04003	Montaje de eje LI, 0,750
33	638-04004	Montaje de eje LD, 0,750
34	711-0332	Chaveta, Horquilla, 0,50 x 0,78
35	714-04023	Pasador de chaveta, Interno, 0,080 x 1,5625
36	783-0720A	Soporte de ajuste, Frente
37	741-0660A	Cojinete de brida, 0,760 x 0,941 x 1,0
38	731-1.291A	Cápsula externa de la barra pivote
39	634-04086	Montaje de la rueda completo, 15 x 6
	734-1731	Sólo neumático, 15 x 6 x 6
	634-04081	Sólo llanta con vástago de válvula

# Modelo 601

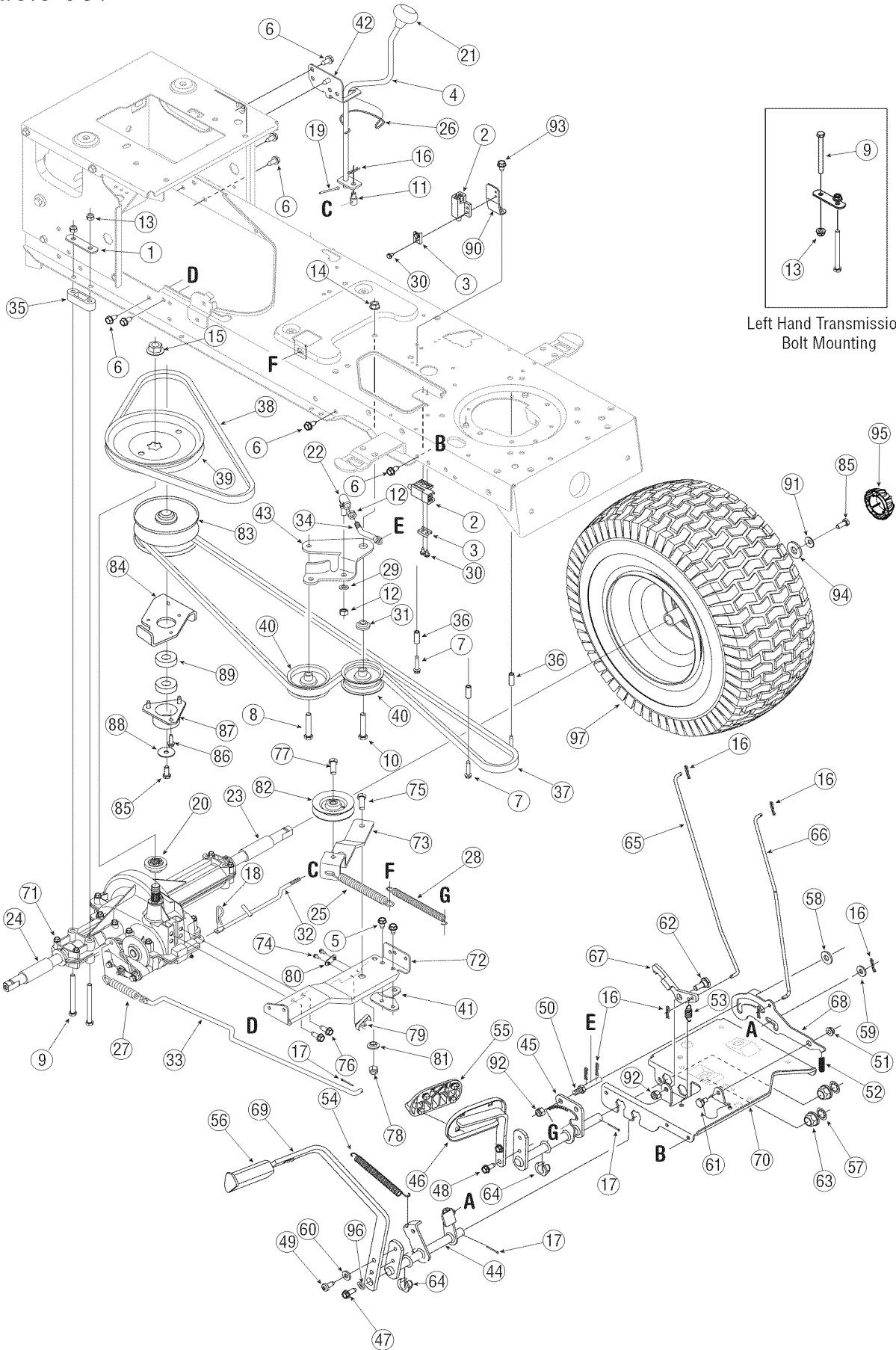


## Modelo 601

N° de referencia	N° de pieza	Descripción	N° de referencia	N° de pieza	Descripción
1.	710-0726	Tornillo, 5/16-12 x 0,750	21.	731-04215	Botón de control de crucero
2.	710-0599	Tornillo autorroscante, 1/4-20 x 0,5	22.	731-04217	Botón del freno de mano
3.	710-0751	Tornillo de cabeza hexagonal, 1/4-20 x 0,62	23.	736-0142	Arandela plana, 9/32 x 1/2 x 1/16
4.	746-1086	Control/Cable del regulador	24.	747-1196	Barra de pivote del freno/crucero
5.	746-1.085A	Perilla/Cable de obturación	25.	629-04083†	Mazo de cables de faros delanteros
6.	731-04949	Lentes de faros delanteros	26.	731-05165	Cámara impelente del cofre
7.	738-04091	Tornillo con reborde, 0,43 x 0,29	27.	783-04285B	Placa de sostén del tablero LD
8.	783-04551	Cofre, 1 estilo	28.	710-0642	Tornillo autorroscante, 1/4-20 x 0,75
9.	783-04552	Parrilla, 1 estilo	29.	783-04323B	Placa de sostén del tablero LI
10.	783-04578	Soporte de pivote - LD	30.	725-0963	Lámpara
	783-04577	Soporte de pivote - LI	31.	736-0270	Arandela de campana, 0,265 x 0,75 x 0,062
11.	783-04621	Soporte de pivote de la parrilla	32.	710-1.611B	Tornillo, 5/16-18 x 0,75
12.	712-04064	Tuerca de seguridad de brida 1/4-20	33.	725-1649	Casquillo del faro delantero
13.	751-0658E	Tanque de combustible, Tres galones	34.	710-1652	Tornillo hexagonal de posicionamiento, 1/4-20 x 0,625
14.	751-0603	Tapa del combustible	35.	725-04156	Monitor indicador de sistemas con amperímetro
15.	710-1017	Tornillo, 1/4-14 x 0,625	36.	725-1745	Llave de encendido con cubierta plástica
16.	710-0895	Tornillo autorroscante, 1/4-15 x 0,75		725-1744	Llave de encendido sin cubierta plástica
17.	710-3217	Tornillo Truss Phillips, #8-32 x 0,375	37.	725-04227	Interruptor de encendido
18.	712-0142	Tuerca hexagonal, #8-32	—	629-04144†	Mazo de cables conectores
19.	731-1857	Perilla de control del regulador	—	629-04103†	Mazo de cables
20.	731-05001	Tablero de instrumentos			

† No se muestra

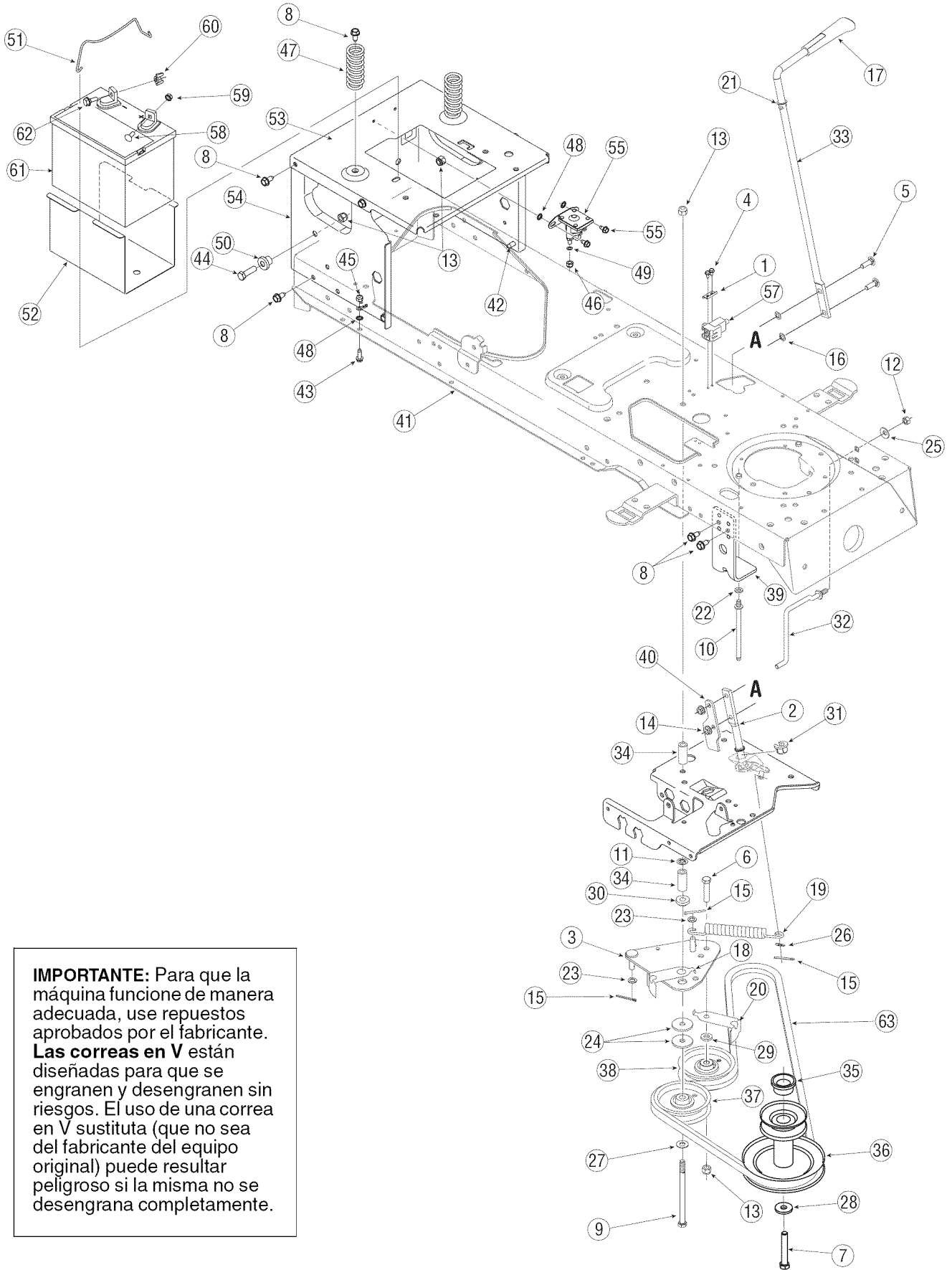
# Modelo 601



# Modelo 601

N° DE REF.	N° DE PIEZA	DESCRIPCIÓN	N° DE REF.	N° DE PIEZA	DESCRIPCIÓN
1	17840	Ménsula de montaje, Transeje	51	712-3.004A	Tuerca, De seguridad de brida, 5/16-18, Gr5
2	725-04039	Interruptor, Dispositivo de bloqueo	52	732-0335	Resorte, Compresión, 0,405 x 1,17
3	17962	Placa, Interruptor	53	732-0955	Resorte, Extensión, 0,50 de diámetro exterior x 1,41
4	647-04020	Montaje de la palanca, Cambios	54	732-0963	Resorte, Extensión, 0,50 de diámetro exterior x 6,37
5	710-0607	Tornillo, 5/16-18, 0,500	55	735-0662	Almohadilla
6	710-0726	Tornillo, 5/16-12, 0,750	56	735-3049	Almohadilla, Freno
7	710-0809	Tornillo, 1/4-20, 1,250	57	736-0187	Arandela, Plana, 0,64 x 1,24 x 0,06, alto
8	710-1007	Tornillo, Sems, 3/8-16, 1,500	58	736-0262	Arandela, Plana, 0,385 x 0,870 x 0,092
9	710-1266	Tornillo, 5/16-18, 3,50, Gr5	59	736-0300	Arandela, Plana, 0,406 x 0,875 x 0,059
10	710-3144	Tornillo, 3/8-16, 2,00, Gr5	60	736-3008	Arandela, Plana, 0,344 x 0,750 x 0,120
11	711-0736	Férula de ajuste, 1/4-20 x 1.	61	738-0155	Tornillo, Reborde 0,437 diám. x 0,162
12	712-0241	Tuerca, Hexagonal, 3/8-24, Gr5	62	738-0380	Tornillo, Reborde, 0,50 x 0,27 largo, 3/8-16
13	712-04063	Tuerca, De seguridad de brida, 5/16-18, GrF, Nylon	63	741-0225	Cojinete, Brida hexagonal
14	712-0431	Tuerca, De seguridad de brida, 3/8-16, GrF, Nylon	64	741-3.065B	Cojinete partido, Brida hexagonal
15	712-0700	Tuerca, Brida, 9/16-18, Gr2	65	747-04093	Varilla, Bloqueo de freno
16	714-0104	Pasador, Chaveta, 0,072 diám. x 1,13	66	747-04096	Varilla, Control de crucero
17	714-0111	Pasador, Chaveta, 3/32, 1,0	67	748-04039B	Cerrojo, Control de crucero
18	714-0209	Pasador de chaveta, Interno, 0,125 diám.	68	683-04186	Ménsula, Bloqueo
19	714-0470	Pasador, Chaveta, 1/8 x 1,25	69	783-0773A	Almohadilla, Freno
20	718-0758A	Buje de polea, Canal 5/8	70	783-04612	Ménsula, Soporte del volante
21	720-04028	Perilla, Cambio	71	618-04034	Transmisión, Velocidad única
22	723-3018	Rótula	72	683-04055A	Montaje del soporte, Par de torsión
23	731-04602	Manga, 0,758 x 0,821 x 3,3125	73	683-04130	Soporte, Intermedio
24	731-04604	Manga, 0,758 x 0,821 x 2,4375	74	710-0227	Tornillo #8 -18 x 0,50
25	732-0384	Resorte, Extensión, 0,62 diám. x 6,12	75	710-0514	Tornillo, 3/8-16, 1,00
26	732-0525	Abrazadera de resorte, Palanca de cambios	76	710-0604A	Tornillo, 5/16-18, 0,625
27	732-0716	Resorte, Extensión, 0,59 de diámetro exterior x 4,00	77	710-1315	Tornillo, 3/8-16, 1,250
28	732-0963	Resorte, Extensión, 0,50 diám. x 6,37	78	712-0130	Tuerca, De seguridad, 3/8-16, Nylon
29	736-0169	Arandela, De seguridad, 3/8	79	725-1644	Resorte de interruptor, Corto
30	710-0224	Tornillo, #10-16, 0,50	80	726-0320	Placa, Aislante
31	738-0372B	Separador, Reborde, 1,00 x 0,38 x 0,38	81	750-04294	Separador, Reborde
32	747-04146	Varilla, Cambio	82	756-0116A	Polea, En V, 3,06
33	747-04164	Varilla, Freno	83	656-04015	Montaje de la polea, Velocidad variable
34	747-1127	Varilla guía, Ajustable, 3/8	84	683-04129	Soporte, Polea
35	748-0334	Separador, 0,68	85	710-0627	Tornillo, 5/16-24, 0,750
36	750-0566A	Separador, 0,260 x 0,372 x 1,030	86	710-0642	Tornillo, 1/4-20, 0,750
37	754-0467	Correa, En V	87	718-04012	Cubeta, Cojinete
38	754-0468	Correa, En V	88	736-0362	Arandela, Plana
39	756-04002	Polea, En V, 7,25 diám.	89	741-0600	Cojinete de bolas
40	756-0981B	Polea loca, Plana 2,75 de diámetro exterior	90	783-04707	Ménsula del interruptor, Freno de mano
41	783-04283	Soporte, Cambios	91	736-0242	Arandela, De campana, 0,340 x 0,872 x 0,060
42	783-04360	Soporte, Cambios, F-N-R	92	712-04065	Tuerca, De seguridad de brida, 3/8-16, GrF, Nylon
43	783-04442	Soporte intermedio, Doble central	93	710-0599	Tornillo, 1/4-20 x 0,5
44	647-0031B	Montaje de control, Freno	94	736-0430	Arandela plana, 0,350 x 1,59 x 0,062
45	647-0032A	Montaje de control, Velocidad	95	731-2.290A	Tapa del buje
46	683-0266	Montaje de pedal	96	736-0119	Arandela de seguridad, 5/16
47	710-0650	Tornillo, 5/16-18, 0,875	97	634-0104	Ensamblado de la rueda y Comp., 20 x 8 x 8
48	710-1.260A	Tornillo, 5/16-18, 0,750		734-1730	Sólo neumático 20 x 8 x 8
49	710-1.611B	Tornillo, 5/16-18, 0,750		734-0603A	Sólo llanta con vástago de válvula
50	711-04159B	Pasador, 3/8-16 x 2,68			

# Modelo 601



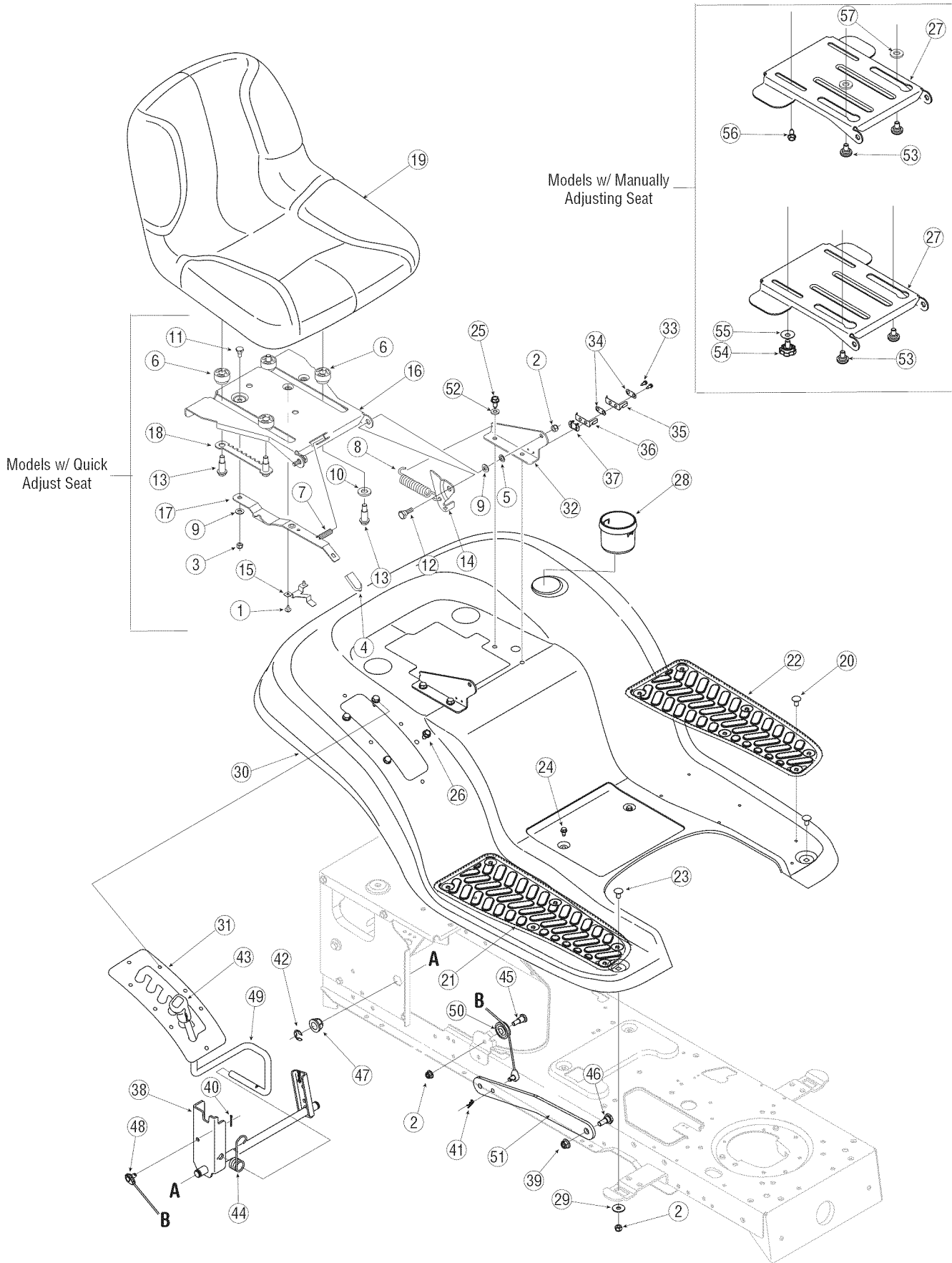
**IMPORTANTE:** Para que la máquina funcione de manera adecuada, use repuestos aprobados por el fabricante. **Las correas en V** están diseñadas para que se engranen y desengrenen sin riesgos. El uso de una correa en V sustituta (que no sea del fabricante del equipo original) puede resultar peligroso si la misma no se desengrana completamente.



# Modelo 601

N° DE REF.	N° DE PIEZA	DESCRIPCIÓN	N° DE REF.	N° DE PIEZA	DESCRIPCIÓN
1	17962	Placa, Interruptor	32	747-04355	Varilla de la guarda, Correa
2	647-0064	Montaje de la palanca, Enganche	33	747-1112D	Soporte de la manija, Cubierta
3	683-0302	Montaje de la placa, Enganche	34	748-0415B	Separador, 0,385 de diámetro interno x 0,635 de diámetro exterior x 1,54
4	710-0224	Tornillo, #10-16, 0,500	35	750-0956	Separador, 1,010 x 1,400 x 0,825
5	710-0276	Tornillo, Carro, 5/16-18, 1,00	36	756-04142	Polea, Motor, 3,39 x 6,12 diám.
6	710-0347	Tornillo, 3/8-16, 1,75, Gr5	37	756-0487	Polea, Loca, Tipo en V 5/8 x 4,0 diám.
7	710-04377	Tornillo, 7/16-20, 2,75, Gr5	38	756-0627D	Polea, Loca, 3,50 diám.
8	710-0726	Tornillo, 5/16-12, 0,750	39	783-04467	Soporte de parada, Cubierta hacia arriba
9	710-0831	Tornillo, 3/8-16, 5,50, Gr5	40	783-0744A	Soporte de parada, Enganche
10	711-1044	Pasador, Guarda de la correa, 5/16 x 4,75	41	683-04173	Montaje del marco, Inferior
11	712-0229	Tuerca, A presión, 3/8	42	710-0607	Tornillo, 5/16-18, 0,500
12	712-04063	Tuerca, De seguridad de brida, 5/16-18, GrF, Nylon	43	710-0642	Tornillo, 1/4-20, 0,750
13	712-04065	Tuerca, De seguridad de brida, 3/8-16, GrF, Nylon	44	710-3005	Tornillo, 3/8-16, 1,25, Gr5
14	712-3.004A	Tuerca, De seguridad de brida, 5/16-18, Gr5	45	712-04064	Tuerca, De seguridad de brida, 1/4-20, GrF, Nylon
15	714-0470	Pasador, Chaveta, 1/8 x 1,25	46	712-3006	Tuerca, Hexagonal, 1/4-20, Gr5
16	726-0201	Tuerca, De velocidad, 0,3125 de diámetro interno	47	732-04035	Resorte, Compresión, 1,28 de diámetro exterior x 3,125
17	731-2.111A	Perilla, Corte de energía (PTO)	48	736-0222	Arandela, De seguridad, 1/4, Externa
18	732-04245A	Guarda de la correa	49	736-0329	Arandela, De seguridad, 1/4
19	732-0944	Resorte, Extensión, 0,75 de diámetro exterior x 6,75	50	738-04058	Separador, Reborde, 0,38 x 1,0 x 0,70
20	732-1013	Guarda de la correa	51	747-04121A	Varilla de sujeción, Batería
21	736-0108	Arandela, Plana, 0,510 x 0,750 x 0,033	52	783-0349	Bandeja de la batería
22	736-0119	Arandela, Seguridad, 5/16	53	783-04329A	Soporte del asiento, Marco
23	736-0140	Arandela, Plana, 0,385 x 0,62 x 0,063	54	783-04375A	Marco, Superior
24	736-0227	Arandela, Plana, 0,390 x 1,500 x 0,134	55	710-0599	Tornillo, 1/4-20, 0,50
25	736-0242	Arandela, De campana, 0,340 x 0,872 x 0,060	56	725-1.426A	Solenoides, 12V, 100 amp.
26	736-0275	Arandela, Plana, 0,344 x 0,688 x 0,065	57	725-04039	Interruptor, Dispositivo de bloqueo
27	736-0300	Arandela, Plana, 0,406 x 0,875 x 0,059	58	710-0703	Tornillo, Carro, 1/4-20, 0,75, Gr5
28	736-0322	Arandela, Plana, 0,450 x 0,250 x 0,164	59	712-0271	Tuerca, Sems, 1/4-20
29	736-3010	Arandela, Plana, 0,407 x 0,812 x 0,135	60	712-3087	Tuerca, De mariposa, 1/4-20
30	738-0372B	Separador, Reborde, 1,00 x 0,38 x 0,38	61	725-1.750A	Batería, 235 CCA
31	741-0708	Cojinete partido, Brida hexagonal 0,500 de diámetro interno	62	738-1132	Tornillo, Reborde, 0,250 x 0,150, 1/4-20
			63	754-04064	Correa en V, Corte de energía (PTO)

# Modelo 601

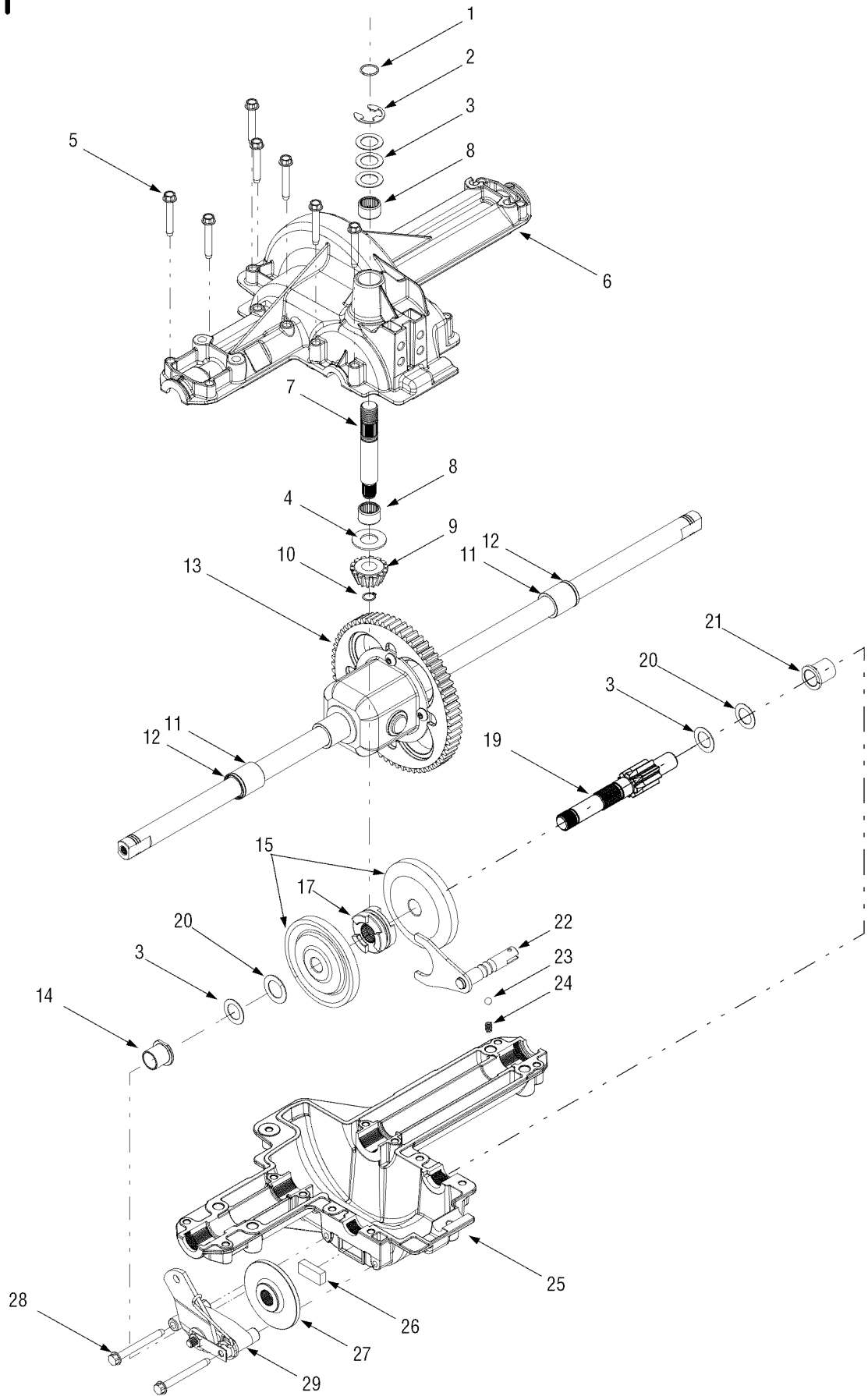


# Modelo 601

N° DE REF.	N° DE PIEZA	DESCRIPCIÓN	N° DE REF.	N° DE PIEZA	DESCRIPCIÓN
1	710-1268	Tornillo, #10-16 x 0,375	29	736-3078	Arandela, Plana, 0,344 x 1,0 x 0,063
2	712-04063	Tuerca, De seguridad de brida, 5/16-18, GrF, Nylon	30	783-04314A	Defensa
3	712-3027	Tuerca, De seguridad de brida, 1/4-20	31	783-1.010A	Placa, Elevación de la cubierta
4	720-0309A	Manija del ajustador de asiento	32	783-1.489A	Ménsula de montaje, Asiento
5	726-0201	Tuerca, De velocidad, 0,3125 de diámetro interno	33	710-0227	Tornillo #8 -18 x 0,50
6	731-04074	Separador	34	726-0279	Placa, Aislante
7	732-0499	Resorte de compresión, 0,41 x 1,5	35	725-1303	Resorte de interruptor, Exterior
8	732-1184	Resorte, Extensión, 0,84 diám. x 4,6	36	725-1439	Resorte de interruptor, Interno
9	736-0275	Arandela, Plana, 0,344 x 0,688 x 0,065	37	726-0278	Placa, Refuerzo del aislante
10	736-3019	Arandela, Plana, 0,531 x 1,062 x 0,134	38	683-04079	Montaje del eje, Elevación
11	738-0137A	Tornillo, Reborde, 0,340 x 0,285, 1/4-20	39	712-04065	Tuerca, De seguridad de brida, 3/8-16, GrF, Nylon
12	738-0296	Tornillo, Reborde, 0,437 x 0,268, 5/16-18	40	714-0104	Pasador, Chaveta, 0,072 diám. x 1,13
13	738-0966	Tornillo, Reborde, 0,50 x 0,925, 3/8-16	41	714-0111	Pasador, Chaveta, 3/32, 1,0
14	683-04193	Soporte del asiento, Elevación	42	716-0106A	Anillo, Tipo E, 0,625 diám.
15	783-0611	Tope del asiento	43	720-0311	Empuñadura, Manija, 1/2
16	783-0738B	Soporte de pivote del asiento	44	732-0874	Resorte, Torsión
17	783-0739A	Palanca de ajuste del asiento	45	738-0138A	Tornillo, 5/16-18 x 0,620 Gr2
18	783-0753	Selector de ajuste de asiento	46	738-0380	Tornillo, Reborde, 0,50 x 0,27, 3/8-16
19	757-04003	Asiento de respaldo alto	47	741-0225	Cojinete, De brida Hexagonal
20	726-3046	Pinza de trinquete	48	746-0968	Cable, Elevación, 16,16
21	735-0672	Almohadilla para pie LD, Goma	49	747-04155	Manija, Elevación
22	735-0673	Almohadilla para pie LI, Goma	50	756-1154	Polea, Rodillo
23	710-0451	Perno, Carro, 5/16-18, 0,750, Gr1	51	783-0678A	Brazo, Elevación
24	710-0599	Tornillo, 1/4-20, 0,500	52	736-0607	Arandela de seguridad, 5/16
25	710-0726	Tornillo, 5/16-12, 0,750	53	738-04012	Tornillo con reborde
26	710-1.611B	Tornillo, 5/16-18 x 0,750	54	720-04009	Perilla, 3/8-16
27	783-04081A	Soporte de pivote del asiento, Ajuste manual	55	736-0101	Arandela plana, 0,406 x 1,00 x 0,030
28	731-04591A	Portacubeta	56	710-0870	Tornillo de cabeza hexagonal, 3/8-16 x 0,625
			57	736-0335	Arandela de arrastre, 0,635 x 1,26 x 0,06

**NOTA:** Las características técnicas del tractor pueden variar según los modelos. NO todas las piezas enumeradas anteriormente e ilustradas en la página anterior corresponden a un equipo convencional.

# Modelo 601



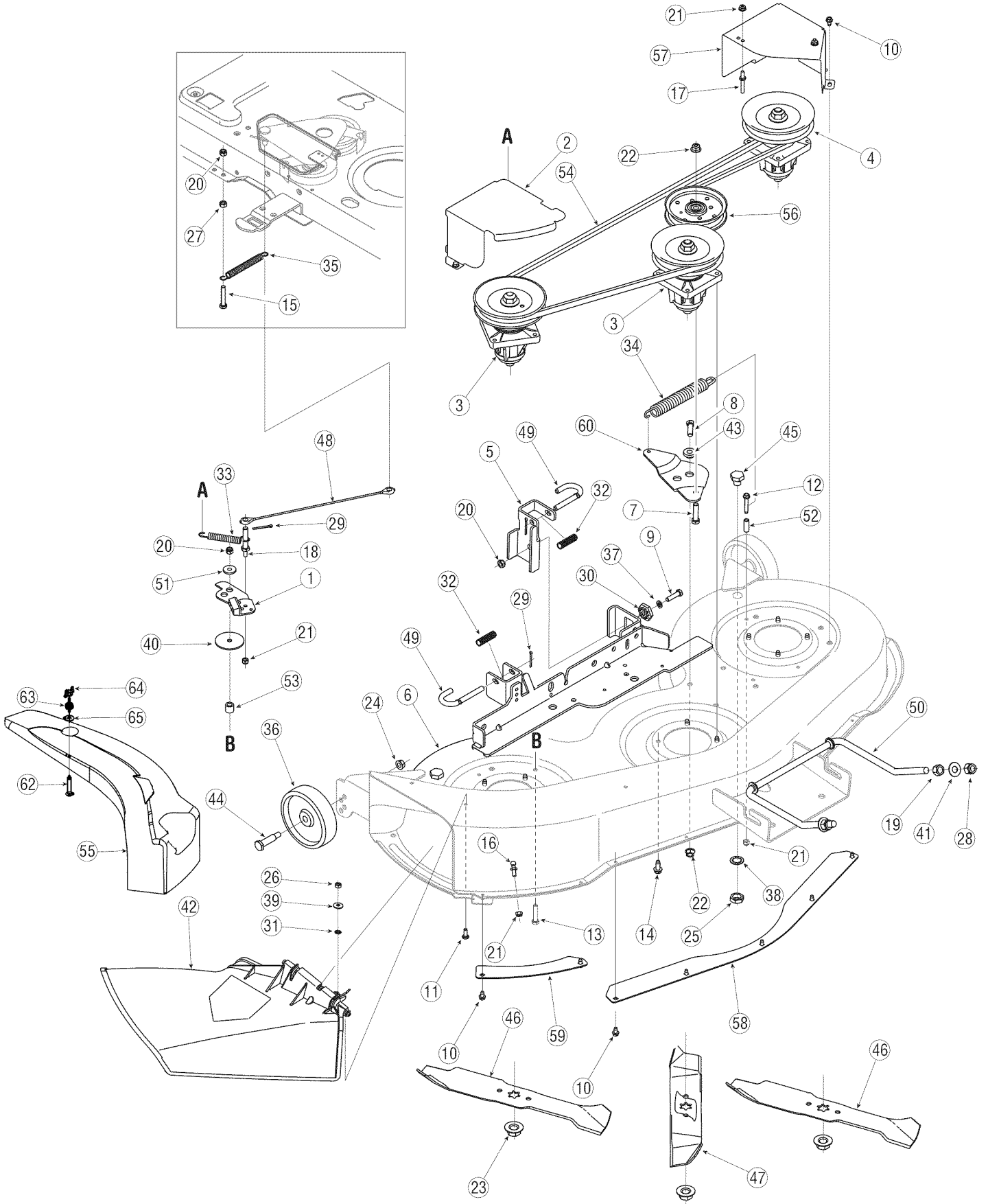
# Modelo 601

N° DE REF.	N° DE PIEZA	DESCRIPCIÓN
1	732-0614	Anillo, Cable
2	716-0231	Anillo, Tipo E, 0,750
3	736-0336*	Arandela plana, 5/8 x 1,0 x 0,030
	736-0337*	Arandela plana, 5/8 x 1,0 x 0,040
	736-0349*	Arandela plana, 5/8 x 1,0 x 0,020
4	736-0335	Arandela, De arrastre, 0,635 x 1,26 x 0,06
5	710-1325	Tornillo autorroscante, 1/4-20 x 1,625
6	719-04017	Caja superior
7	711-1109	Eje de entrada
8	741-0335	Cojinete de agujas, 0,625 x 0,813 x 0,495
9	717-1464	Piñón cónico de 14 dientes
10	716-0108	Anillo de retención, 0,437
11	741-0340	Manguito del cojinete, 0,75 x 1,0 x 1,0
12	721-0338	Sello, 0,75 x 1,0 x 0,125
13	618-04041	Montaje del diferencial
14	741-0336	Cojinete de brida, 5/8 x 3/4 x 3/4
15	717-04056	Piñón cónico de 42 dientes
17	718-04045	Collar de embrague
19	711-04134	Eje de la transmisión
20	736-0495*	Arandela de arrastre, 1,0 x 0,632 x 0,0
	736-0494*	Arandela plana, 0,632 x 1,00 x 0,035
21	741-0337	Cojinete de brida, 5/8 x 3/4 x 15/16
22	611-0011	Montaje del eje de bloqueo
23	741-0862	Bola de bloqueo
24	732-0863	Resorte de compresión
25	719-04018	Caja inferior
26	717-0678	Patín del freno
27	761-0202	Disco del freno
28	710-1206	Tornillo autorroscante, 1/4-20 x 2,375
29	661-0001	Montaje del freno
—	737-0148	Grasa (19 oz.)

\*Utilice las arandelas correspondientes (números de referencia 3 o 20) en esta aplicación, permitiendo 0,0150/0,0020 de juego longitudinal.

NOTA: Si reconstruye la caja superior, incluya dos onzas (2 oz.) de grasa Unirex® N3 (N° de pieza 737-0289) en la cavidad del eje de entrada.

# Modelo 601



# Modelo 601

N° DE REF.	N° DE PIEZA	DESCRIPCIÓN	N° DE REF.	N° DE PIEZA	DESCRIPCIÓN
1	17116	Montaje del freno, Cubierta	32	732-0306A	Resorte, Compresión, 0,531 de diámetro exterior x 1,75
2	17258D	Cubierta de la correa LD, Cubierta 46"	33	732-0429A	Resorte, Extensión, 0,50 diám. x 3,97
3	618-0240A	Montaje del husillo, 5,00 diám.	34	732-0594A	Resorte, Extensión, 0,91 diám. x 7,33
4	618-04134B	Montaje del husillo, Polea doble	35	732-04197	Resorte, Extensión, 0,68 de diámetro exterior x 5,00 Lg
5	683-0254B	Gancho del montaje del soporte	36	734-0973	Rueda, Cubierta 5,0 x 1,38
6	683-04104A	Piezas soldadas de la cubierta	37	736-0119	Arandela, De seguridad, 5/16
7	710-0344	Tornillo, 3/8-16, 1,50, Gr5	38	736-0225	Arandela, De seguridad, 5/8
8	710-0514	Tornillo, 3/8-16, 1,00, Gr5	39	736-0270	Arandela, De campana, 0,265 x 0,75 x 0,062
9	710-0528	Tornillo, 5/16-18, 1,25, Gr5	40	736-0418A	Arandela, Plana, 0,34 x 2,25 x 0,10
10	710-0599	Tornillo, 1/4-20, 0,500	41	736-3084	Arandela, Plana, 0,51 x 1,12 x 0,06
11	710-3015	Tornillo, 1/4-20 x 0,75, Gr5	42	731-1.032B	Montaje del canal
12	710-0778	Tornillo, 1/4-20, 1,500	43	738-0347	Separador, Reborde, 0,625 de diámetro interno x 0,169
13	710-0805	Tornillo, 5/16-18, 1,50, Gr5	44	738-0373	Separador, Reborde, 0,498 x 1,53, 3/8-16
14	710-1.260A	Tornillo, Ld, 5/16-18, 0,750	45	738-04146	Enchufe, Tornillo, M16 x 1,5
15	710-3180	Tornillo, 5/16-18, 1,75, Gr5	46	742-0611A	Cuchilla, 16,28", Star Tres-en-uno
16	711-04069	Perno, Colector de recorte de césped, 1/4-20	47	742-0612A	Cuchilla, 14,88", Star Tres-en-uno
17	711-0993	Pasador de la guarda de la correa 1/4 diám. x 1,43	48	746-1107	Cable, 12,00"
18	711-1554	Pasador, 1/4-20, 3/8 x 2,0	49	747-1116	Varilla, Liberación de cubierta
19	712-0206	Tuerca, Hexagonal, 1/2-13, Gr5	50	747-1.130B	Varilla, Cubierta
20	712-04063	Tuerca, De seguridad de brida, 5/16-18, GrF, Nylon	51	748-0234	Separador con reborde
21	712-04064	Tuerca, De seguridad de brida, 1/4-20, GrF, Nylon	52	750-0566A	Separador, 0,260 x 0,372 x 1,030
22	712-04065	Tuerca, De seguridad de brida, 3/8-16, GrF, Nylon	53	750-1320	Separador, 0,375 x 0,63 x 0,595
23	712-0417A	Tuerca, Brida, 5/8-18	54	754-0349	Correa, En V, Poly
24	712-0431	Tuerca, De seguridad de brida, 3/8-16, GrF	55	731-1636†	Adaptador para abonadora
25	712-0641	Tuerca, Hexagonal, M16-1,5	56	756-04129	Polea, Loca, 4,25" diám.
26	712-3006	Tuerca, Hexagonal, 1/4-20, Gr5	57	783-1.348B	Cubierta de la correa, LI
27	712-3010	Tuerca, Hexagonal, 5/16-18, Gr5	58	783-0141	Faldón de cubierta, Centro
28	712-3083	Tuerca, De seguridad hexagonal, 1/2-13, Gr8, Nylon	59	783-0142	Faldón de cubierta, LD
29	714-0470	Pasador, Chaveta, 1/8 x 1,25	60	783-04641	Soporte, Intermedio
30	717-04074	Engranaje de ajuste, Cubierta	61	783-1025	Detención, Obturación
31	726-0233	Tuerca, A presión, 0,25 de diámetro interno x 0,50 de diámetro exterior	62	710-0578†	Tornillo, 1/4-20 x 1,500
			63	712-3006†	Tuerca hexagonal, 1/4-20
			64	712-3087†	Tuerca de mariposa, 1/4 - 20
			65	736-0173†	Arandela plana, 0,28 x 0,74 x 0,063

† Si es parte del equipo

**IMPORTANTE:** Para que la máquina funcione de manera adecuada, use repuestos aprobados por el fabricante.

**Las correas en V** están diseñadas para que se engranen y desengranen sin riesgos. El uso de una correa en V sustituta (que no sea del fabricante del equipo original) puede resultar peligroso si la misma no se desengrana completamente.

**NOTA:** Las características técnicas del tractor pueden variar según los modelos. NO todas las piezas enumeradas anteriormente e ilustradas en la página anterior corresponden a un equipo convencional.

# GARANTÍA LIMITADA DEL FABRICANTE PARA:



La garantía limitada que se extiende a continuación es otorgada por la empresa MTD LLC y cubre mercaderías nuevas compradas y utilizadas en los Estados Unidos, sus posesiones y territorios.

"MTD" garantiza este producto por defectos de materiales y de fabricación por un período de dos (2) años a partir de la fecha de la compra original y reparará o cambiará sin cargo cuando lo considere pertinente todas las piezas con defectos de materiales o de fabricación. Esta garantía limitada sólo se aplicará si el producto ha sido operado y mantenido de acuerdo con las instrucciones del manual del operador que se proporcionan con el producto y no ha sido sujeto a uso inapropiado, abuso, uso comercial, abandono, accidente, mantenimiento incorrecto, alteración, vandalismo, robo, incendio, inundación o algún daño debido a otro peligro o desastre natural. El daño resultante por la instalación o el uso de piezas, accesorios o uniones no aprobados por MTD para su uso con el(los) producto(s) incluido(s) en este manual anulará la garantía en lo que respecta a esos daños.

Se garantiza que las piezas con desgaste normal están libres de defectos en los materiales o de fabricación por un período de treinta (30) días a partir de la fecha de compra. Las piezas o componentes sujetos a desgaste normal incluyen pero no se limitan a: baterías, correas, hojas, adaptadores para hojas, bolsas para pasto, ruedas para la cubierta, asientos, zapatas antideslizantes, placas, gomas de corte y neumáticos.

**CÓMO SOLICITAR Y OBTENER SERVICIO TÉCNICO:** El servicio de la garantía está disponible, CON PRUEBA DE COMPRA a través del distribuidor local autorizado para el mantenimiento. Para localizar al distribuidor en su área, busque en las páginas amarillas de su localidad o contacte a MTD LLC al Apartado Postal 361131, Cleveland, Ohio 44136-0019, o llame al 1-800-800-TRIM (7310) o 1-330-220-4683 o entre a la página Web en [www.mtdproducts.com](http://www.mtdproducts.com).

Esta garantía limitada **no** ofrece cobertura en los siguientes casos:

- El motor y las piezas componentes presentes. Estos productos tienen una garantía del fabricante por separado. Consulte los términos y condiciones de la garantía aplicable del fabricante.
- Las bombas para el corte de madera, las válvulas y los cilindros tienen una garantía independiente de un año.
- Los artículos necesarios para el mantenimiento de rutina como por ejemplo lubricantes, filtros, afiladores de hojas, las adaptaciones y los ajustes como por ejemplo los ajustes de los frenos, del embrague o de la cubierta y el deterioro normal del acabado exterior debido al uso o exposición.
- Servicio no realizado por el distribuidor autorizado para el mantenimiento.

- MTD no extiende ninguna garantía para productos vendidos o exportados fuera de los Estados Unidos, sus posesiones y territorios, excepto aquellos equipos vendidos a través de canales de distribución de productos autorizados por MTD.
- Piezas de reemplazo que no son piezas genuinas de MTD.
- Gastos de transporte y llamadas por servicios técnicos.

**No se aplican garantías implícitas, incluidas las garantías implícitas de comerciabilidad o de adecuación para un propósito determinado, después del período de aplicación de la garantía escrita expresa extendida más arriba para las piezas de acuerdo con su identificación. Ninguna otra garantía expresa, oral o escrita, excepto la mencionada anteriormente, extendida por personas o personas jurídicas, incluidos los distribuidores o los minoristas con respecto a los productos obligará a MTD. Durante el plazo de la garantía el único recurso es la reparación o reemplazo del producto como se indicó anteriormente.**

**Las disposiciones incluidas en esta garantía proveen el recurso único y exclusivo que surge de las ventas. MTD no será responsable por pérdidas o daños incidentales o directos, incluyendo sin límites los gastos incurridos para los servicios de cuidado del pasto de reemplazo o cambio, o los gastos de alquiler para reemplazar de manera transitoria un producto bajo garantía.**

Algunos estados no permiten la exclusión o limitación de los daños y perjuicios incidentales o directos, o las limitaciones sobre la duración de las garantías implícitas por lo que las exclusiones o limitaciones mencionadas anteriormente pueden no serle de aplicación.

En ningún caso se obtendrá una compensación mayor al monto del precio de compra del producto vendido. **La alteración de las características de seguridad del producto anularán esta garantía.** Usted asume el riesgo y la responsabilidad por las pérdidas, daños o lesiones que sufra Usted y sus bienes y / o otras personas y sus bienes como consecuencia del uso incorrecto o de la imposibilidad de uso de este producto.

Esta garantía limitada alcanza solamente al comprador original, al arrendatario original o a la persona que recibió el producto de regalo.

**CÓMO SE RELACIONA LA LEGISLACIÓN ESTATAL CON ESTA GARANTÍA:** Esta garantía limitada le otorga derechos legales específicos y usted también puede tener otros derechos que varían de un estado a otro.

**IMPORTANTE:** El propietario debe presentar prueba de compra original para obtener la cobertura de la garantía.