

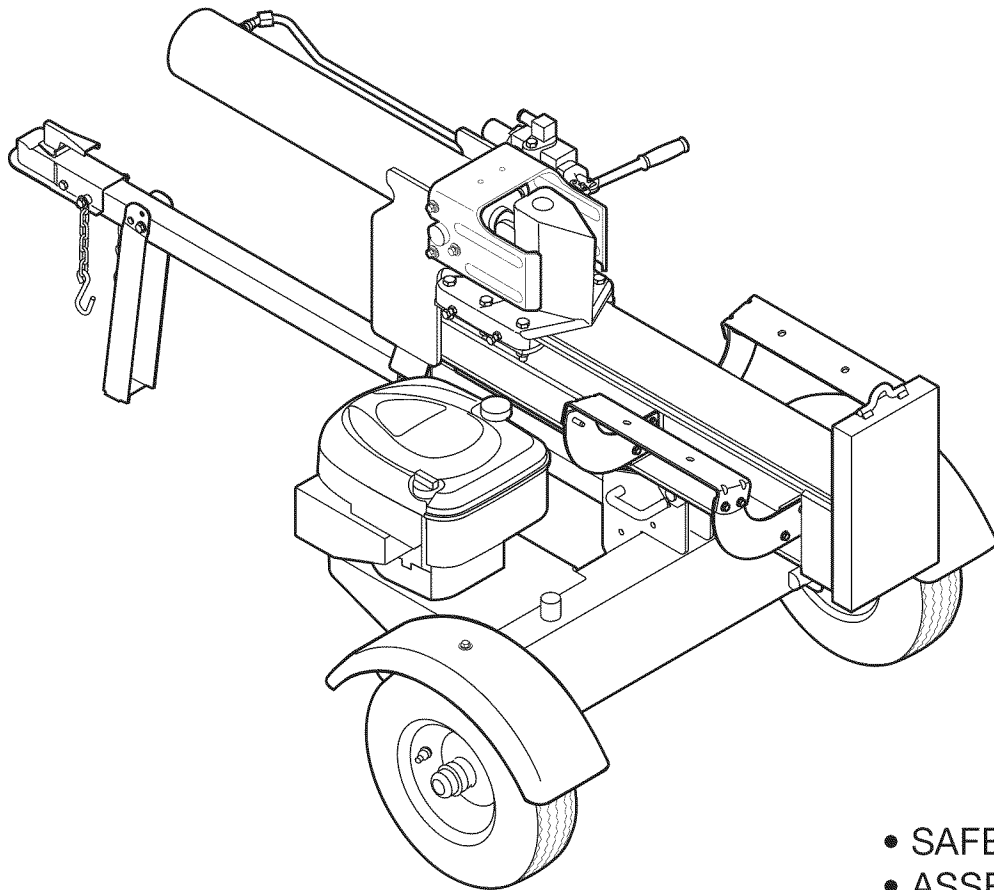
Operator's Manual

CRAFTSMAN[®]

675 Series

LOG SPLITTER

Model No. 247.77640



CAUTION: Before using this product, read this manual and follow all safety rules and operating instructions.

- SAFETY
- ASSEMBLY
- OPERATION
- MAINTENANCE
- PARTS LIST
- Español

Sears, Roebuck and Co., Hoffman Estates, IL 60179, U.S.A.
Visit our web site: www.sears.com/craftsman

FORM NO. 769-05144
6/7/2009

TABLE OF CONTENTS

Warranty Statement.....	Page 2	Off Season Storage	Page 18
Safe Operation Practices.....	Pages 3-5	Troubleshooting	Page 20-21
Safety Labels	Page 6	Parts List.....	Page 22-35
Assembly	Pages 7-9	Repair Protection Agreement	Page 36
Operation.....	Pages 10-13	Español	Page 37
Service & Adjustments	Pages 14	Service Numbers	Back Cover
Maintenance	Pages 15-17		

WARRANTY STATEMENT

CRAFTSMAN FULL WARRANTY

When operated and maintained according to all supplied instructions, if this Craftsman log splitter fails due to a defect in material or workmanship within one year from the date of purchase, call 1-800-4-MY-HOME® to arrange for free repair (or replacement if repair proves impossible).

This warranty applies for only 90 days from the date of purchase if this log splitter is ever used for commercial or rental purposes.

This warranty covers ONLY defects in material and workmanship. Sears will NOT pay for:

- Expendable items that become worn during normal use, including but not limited to spark plug, air cleaner, belts, and oil filter.
- Standard maintenance servicing, oil changes, or tune-ups.
- Tire replacement or repair caused by punctures from outside objects, such as nails, thorns, stumps, or glass.
- Tire or wheel replacement or repair resulting from normal wear, accident, or improper operation or maintenance.
- Repairs necessary because of operator abuse, including but not limited to damage caused by over-speeding the engine, or from impacting objects that bend the frame, auger shaft, etc.
- Repairs necessary because of operator negligence, including but not limited to, electrical and mechanical damage caused by improper storage, failure to use the proper grade and amount of engine oil, or failure to maintain the equipment according to the instructions contained in the operator's manual.
- Engine (fuel system) cleaning or repairs caused by fuel determined to be contaminated or oxidized (stale). In general, fuel should be used within 30 days of its purchase date.
- Normal deterioration and wear of the exterior finishes, or product label replacement.

This warranty applies only while this product is within the United States.

This warranty gives you specific legal rights, and you may also have other rights which vary from state to state.

Sears, Roebuck and Co., Hoffman Estates, IL 60179

PRODUCT SPECIFICATIONS

Engine Series: **126T02-0523**
Engine Oil: **SAE 30**
Engine Oil Capacity: **20 Ounces**
Fuel Capacity: **1.5 Quarts**
Spark Plug (.030" Gap): **Champion® RJ19LM**
Hydraulic Fluid/ Capacity: **Dexron® III/ 3.0 gal.**

MODEL NUMBER

Model Number

Serial Number

Date of Purchase.....

**Record the model number, serial number
and date of purchase above**

SAFETY INSTRUCTIONS

WARNING



This symbol points out important safety instructions which, if not followed, could endanger the personal safety and/or property of yourself and others. Read and follow all instructions in this manual before attempting to operate this machine. Failure to comply with these instructions may result in personal injury. When you see this symbol, **HEED ITS WARNING!**

WARNING

CALIFORNIA PROPOSITION 65

Engine Exhaust, some of its constituents, and certain vehicle components contain or emit chemicals known to State of California to cause cancer and birth defects or other reproductive harm.

DANGER

This machine was built to be operated according to the safe operation practices in this manual. As with any type of power equipment, carelessness or error on the part of the operator can result in serious injury. This machine is capable of amputating fingers, hands, toes and feet and throwing debris. Failure to observe the following safety instructions could result in serious injury or death.

WARNING

Your Responsibility—Restrict the use of this power machine to persons who read, understand and follow the warnings and instructions in this manual and on the machine.

SAVE THESE INSTRUCTIONS!

Training

1. Read, understand, and follow all instructions on the machine and in the manual before attempting to assemble and operate. Keep this manual in a safe place for future and regular reference and for ordering replacement parts.
2. Read the Operator's Manual and follow all warnings and safety instructions. Failure to do so can result in serious injury to the operator and/or bystanders. For questions call, 1-800-4-MY-HOME.
3. Be familiar with all controls and their proper operation. Know how to stop the machine and disengage them quickly.
4. Never allow children under 16 years of age to operate this machine. Children 16 and over should read and understand the instructions and safe operation practices in this manual and on the machine and be trained and supervised by an adult.
5. Never allow adults to operate this machine without proper instruction.
6. Many accidents occur when more than one person operates the machine. If a helper is assisting in stacking logs, never activate the control until the helper is a minimum of 10 feet from the machine.
7. Keep bystanders, pets, and children at least 20 feet from the machine while it is in operation.
8. Never allow anyone to ride on this machine.
9. Never transport cargo on this machine.
10. Hydraulic log splitters develop high fluid pressures during operation. Fluid escaping through a pin hole opening can penetrate your skin and cause blood poisoning, gangrene, or death. Give attention to the following instructions at all times:
 - a. Do not check for leaks with your hand.
 - b. Do not operate machine with frayed, kinked, cracked, or damaged hoses, fittings, or tubing.
 - c. Stop the engine and relieve hydraulic system pressure before changing or adjusting fittings, hoses, tubing, or other system components.
 - d. Do not adjust the pressure settings of the pump or valve.
10. Leaks can be detected by passing cardboard or wood, while wearing protective gloves and safety glasses, over the suspected area. Look for discoloration of cardboard or wood.
11. If injured by escaping fluid, see a doctor immediately. Serious infection or reaction can develop if proper medical treatment is not administered immediately.
12. Keep the operator zone and adjacent area clear for safe, secure footing.
13. If your machine is equipped with an internal combustion engine and is intended for use near any unimproved forest, brush, or grass covered land, the engine exhaust should be equipped with a spark arrester. Make sure you comply with applicable local, state, and federal codes. Take appropriate firefighting equipment with you.
14. This machine should be used for splitting wood only; do not use it for any other purpose.
15. Follow the instructions in the manual(s) provided with any attachment(s) for this machine.

SAFETY INSTRUCTIONS

Preparation

1. Always wear safety shoes or heavy boots.
2. Always wear safety glasses or safety goggles when operating this machine.
3. Never wear jewelry or loose clothing that might become entangled in moving or rotating parts of the machine.
4. Make sure machine is on a level surface before operating.
5. Always block wheels to prevent unintended movement, and lock beam assembly in either the horizontal or vertical position.
6. Always operate this machine from the operator zone(s) specified in the manual.
7. Logs should be cut with square ends prior to splitting.
8. Use log splitter in daylight or under good artificial light.

Safe Handling of Gasoline

To avoid personal injury or property damage use extreme care in handling gasoline. Gasoline is extremely flammable and the vapors are explosive. Serious personal injury can occur when gasoline is spilled on yourself or your clothes which can ignite. Wash your skin and change clothes immediately.

- a. Use only an approved gasoline container.
- b. Extinguish all cigarettes, cigars, pipes, and other sources of ignition.
- c. Never fuel machine indoors.
- d. Never remove gas cap or add fuel while the engine is hot or running.
- e. Allow engine to cool at least two minutes before refueling.
- f. Never overfill the fuel tank. Fill tank to no more than 1/2 inch below bottom of filler neck to provide space for fuel expansion.
- g. Replace gasoline cap and tighten securely.
- h. If gasoline is spilled, wipe it off the engine and equipment and move machine to another area. Wait five (5) minutes before starting the engine.
- i. Never store the machine or fuel container inside where there is an open flame, spark or pilot light as on a water heater, space heater, furnace, clothes dryer or other gas appliances.
- j. Allow machine to cool at least five (5) minutes before storing.

Operation

1. Before starting this machine, review the "Safety Instructions". Failure to follow these rules may result in serious injury to the operator or bystanders.
2. Never leave this machine unattended with the engine running.
3. Do not operate machine while under the influence of alcohol, drugs, or medication.
4. Never allow anyone to operate this machine without proper instruction.
5. Always operate this machine with all safety equipment in place and working. Make sure all controls are properly adjusted for safe operation.
6. Operator Zone
 - a. Horizontal Operating Position: Stand behind the reservoir tank to operate the control handle and to stabilize the log as shown in Fig. 1.
 - b. Vertical Operating Position: Stand in front of the beam and log as shown in Fig. 1.

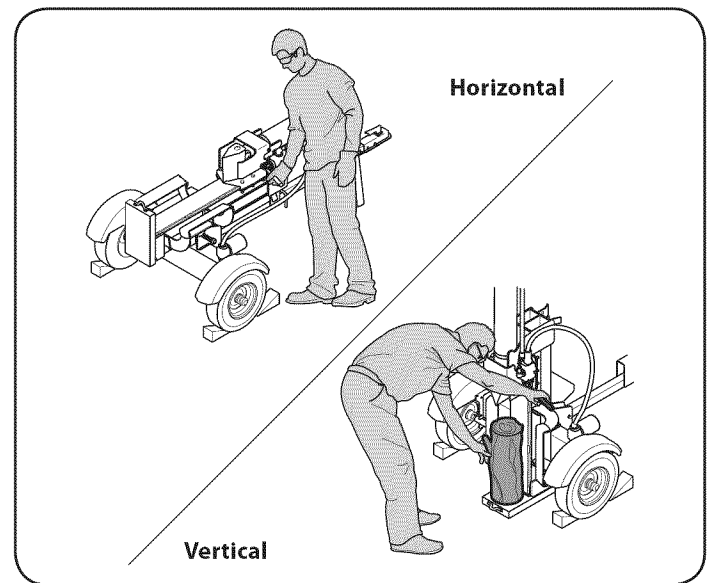


Figure 1

7. Do not change the engine governor settings or overspeed the engine. The governor controls the maximum safe operating speed of the engine.
8. When loading a log, always place your hands on the sides of the log, not on the ends, and never use your foot to help stabilize a log. Failure to do so, may result in crushed or amputated fingers, toes, hand, or foot.
9. Use only your hand to operate the controls.
10. Never attempt to split more than one log at a time unless the ram has fully extended and a second log is needed to complete the separation of the first log.
11. For logs which are not cut square, the least square end and the longest portion of the log should be placed toward the beam and wedge, and the square end placed toward the end plate to ensure the log remains level and in place on the end plate.

SAFETY INSTRUCTIONS

12. When splitting in the vertical position, stabilize the log before moving the control. Split as follows:
 - a. Place log on the end plate and turn until it leans against the beam and is stable.
 - b. When splitting extra large or uneven logs, the log must be stabilized with wooden shims or split wood between the log and end plate or ground.
13. Always keep fingers away from any cracks that open in the log while splitting. They can quickly close and pinch or amputate your fingers.
14. Keep your work area clean. Immediately remove split wood around the machine so you do not stumble over it.
15. Never move this machine while the engine is running.
16. This machine should not be towed on any street, highway or public road without checking the existing federal, state, or local vehicle requirements. Any licensing or modifications such as taillights, etc., needed to comply, is the sole responsibility of the purchaser. If a "Statement of Origin" is required in your state, see your local dealer.
17. Do not tow machine over 45 mph.
18. See Transporting the Log Splitter section in this manual for proper towing instructions once all federal, local, or state requirements are met.

Maintenance and Storage

WARNING

This machine is equipped with an internal combustion engine and should not be used on or near any unimproved forest-covered, brush-covered or grass-covered land unless the engine's exhaust system is equipped with a spark arrester meeting applicable local or state laws (if any)

1. Stop the engine, disconnect the spark plug and ground it against the engine before cleaning, or inspecting the machine.
2. Stop the engine and relieve hydraulic system pressure before repairing or adjusting fittings, hoses, tubing, or other system components.
3. To prevent fires, clean debris and chaff from the engine and muffler areas. If the engine is equipped with a spark arrester muffler, clean and inspect it regularly according to manufacturers instructions. Replace if damaged.
4. Periodically check that all nuts and bolts, hose clamps, and hydraulic fittings are tight to be sure equipment is in safe working condition.
5. Check all safety guards and shields to be sure they are in the proper position. Never operate with safety guards, shields, or other protective features removed.
6. The pressure relief valve is preset at the factory. Do not adjust the valve.
7. Never attempt to move this machine over hilly or uneven terrain without a tow vehicle or adequate help.
8. For your safety, replace all damaged or worn parts immediately with original equipment manufacturer's (O.E.M.) parts only. Use of parts which do not meet the original equipment specifications may lead to improper performance and compromise safety! Consult the Parts List in this manual for correct replacement parts.
9. Do not alter this machine in any manner, alterations such as attaching a rope or extension to the control handle, or adding to the width or height of the wedge may result in personal injury.
10. According to the Consumer Products Safety Commission (CPSC) and the U.S. Environmental Protection Agency (EPA), this product has an *Average Useful Life* of seven (7) years, or 130 hours of operation. At the end of the *Average Useful Life* have the machine inspected annually by an authorized service dealer to ensure that all mechanical and safety systems are working properly and not worn excessively. Failure to do so can result in accidents, injuries or death.

Spark Arrester

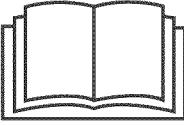

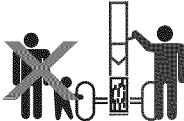




If a spark arrester is used, it should be maintained in effective working order by the operator. In the State of California the above is required by law (Section 4442 of the California Public Resources Code). Other states may have similar laws. Federal laws apply on federal lands.

A spark arrester for the muffler is available through your nearest Sears Parts and Repair Service Center.

SAFETY INSTRUCTIONS

Safety Symbols

This page depicts and describes safety symbols that may appear on this product. Read, understand, and follow all instructions on the machine before attempting to assemble and operate.

Symbol	Description
	READ THE OPERATOR'S MANUAL(S) Read, understand, and follow all instructions in the manual(s) before attempting to assemble and operate
	WARNING— CRUSHING HAZARD Keep hands away from wedge, end plate, partly split wood and moving parts.
	BYSTANDARDS Keep bystanders, helpers and children at least 10 feet away.
	SINGLE OPERATOR Only one person should operate the machine at a time. The adult who loads and holds log must be the one who operates control handle.
	WARNING— PRESSURIZED FLUID Never check for hose leaks with your hands. High pressure fluid can escape through a pin hole leak and cause serious injury by puncturing the skin and causing blood poisoning.
	EYE PROTECTION Always wear safety glasses or safety goggles when operating this machine.
	WARNING— MOVING WEDGE Keep hands away from wedge and moving parts.

ASSEMBLY

NOTE: Your log splitter is shipped with motor oil in the engine. However, you **MUST** check the oil level before operating. Be careful not to overfill.

NOTE: All references in this manual to the left or right side of the log splitter are from the operating position only. See Operator Zone in the Operation section of the Safety Instructions.

REMOVING THE LOG SPLITTER FROM THE CARTON

1. Pry the top, sides and ends off of the crate.
2. Set the panels aside to avoid tire punctures or personal injury.
3. Remove and discard the plastic bag that covers the log splitter.
4. Remove any loose parts included with the log splitter (i.e., tongue assembly, operator's manual, etc.)
5. Cut and remove the straps which secure the parts to the bottom of the crate. Unbolt any remaining parts which may be bolted to the bottom of the crate.

⚠ WARNING

Use extreme caution unpacking this machine. Some components are very heavy and will require additional people or mechanical handling equipment.

LOOSE PARTS IN CARTON

1. Tongue Assembly

ASSEMBLING THE TONGUE

Attaching the Jack Stand

The jack stand is shipped in the transport position.

1. Remove the spring clip and clevis pin and pivot the jack stand towards the ground to the operating position.
2. Secure the jack stand in position with the clevis pin and spring clip. See Figure 1.

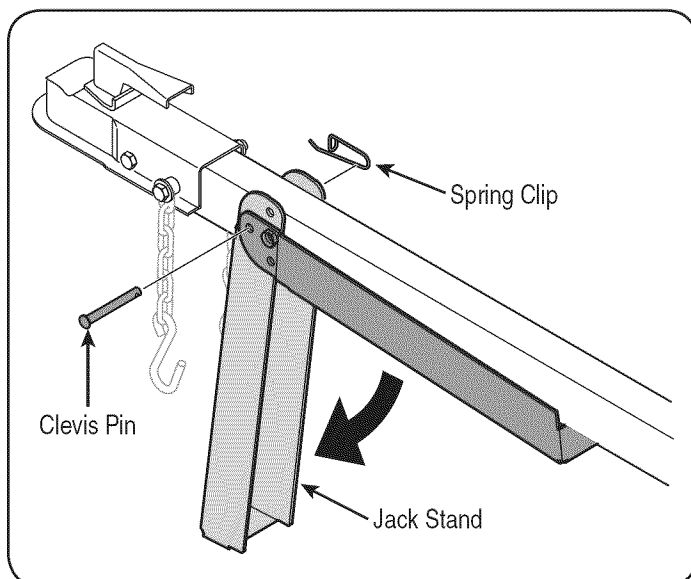


Figure 1

Attaching the Tongue

1. With the log splitter still standing upright, remove the two hex bolts and hex nuts from the tank bracket. See Figure 2.

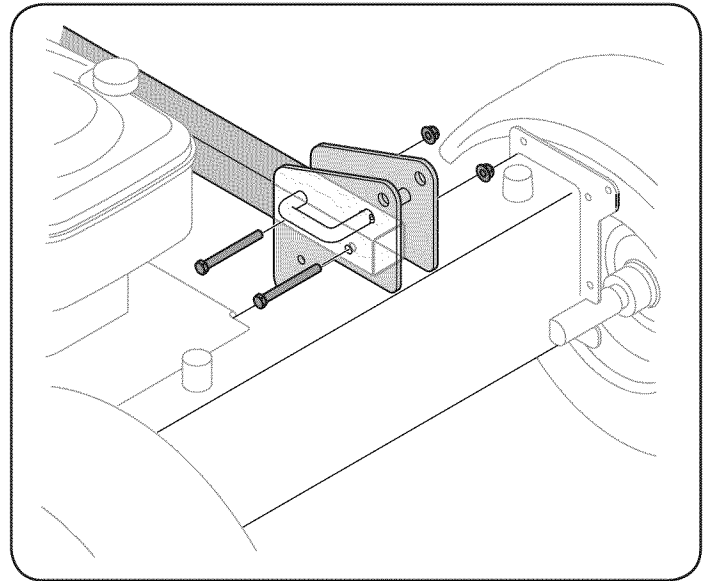


Figure 2

2. Align the holes in the tongue with the holes in the tank bracket and secure with the hardware just removed. See Figure 2.
- NOTE:** The high pressure hose must be above the tongue assembly.

CONNECTING CYLINDER TO BEAM

The log splitter is shipped with the beam in the vertical position.

1. Pull out the vertical beam lock, rotate it back and pivot the beam to the horizontal position until it locks. See Figure 3.

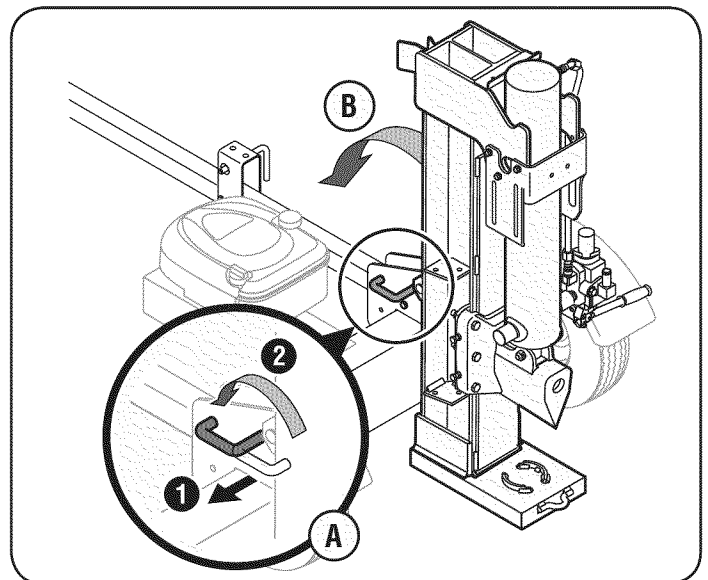


Figure 3

ASSEMBLY

2. Disconnect the dislodger from the beam weld bracket by removing the six hex screws. See Figure 4.

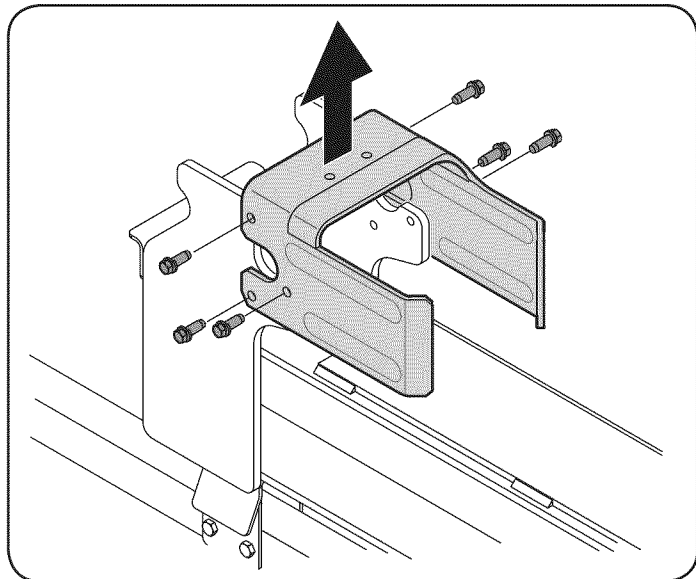


Figure 4

4. Lift and slide the cylinder up to the top of beam and into the weld brackets. See Figure 6.

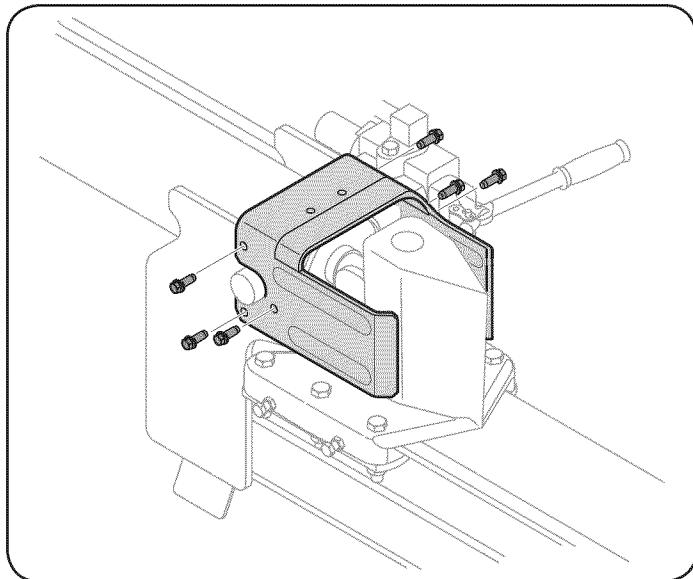


Figure 6

3. Disconnect the log cradle bracket on the control valve side of the beam. See Figure 5.

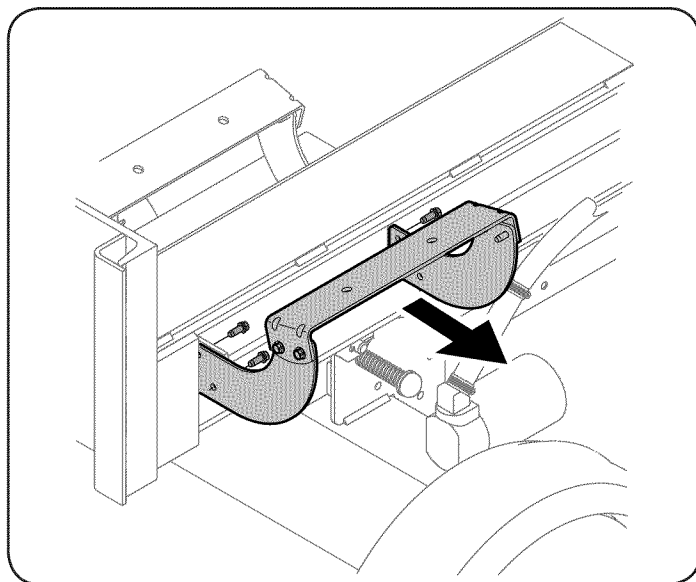


Figure 5

5. Attach the dislodger over the wedge assembly and secure it to the weld brackets with the previously removed hardware. See Figure 6.

NOTE: Once the six hex screws are tightened, there may be a slight gap between the dislodger and the weld brackets. This gap is normal.

6. Reattach the log cradle to the side of the beam with the control valve, aligning the ends of the cradle with the beam flanges.
7. Roll the log splitter off the bottom of the crate.

SET-UP

Gas and Oil Fill-Up

Service the engine with gasoline and oil as instructed below. Read the instructions carefully.

⚠ WARNING

Use extreme care when handling gasoline. Gasoline is extremely flammable and the vapors are explosive. Never fuel the machine indoors or while the engine is hot or running.

NOTE: Your log splitter may be shipped with motor oil in the engine. You **MUST** check the oil level before operating. Be careful not to overfill. Gasoline can be added to the engine when the log splitter is in either the horizontal or vertical position. However, there are less obstructions when the splitter is in the vertical position.

Oil

1. Remove oil fill dipstick.
2. Check the oil level making certain not to rub the dipstick along the inside walls of the oil fill tube. This would result in a false dipstick reading. Refill to the FULL mark on the dipstick, if necessary. Replace the dipstick and tighten.

ASSEMBLY

3. If necessary, with the log splitter on level ground, use a funnel to fill engine with oil to the FULL mark on the dipstick. Be careful not to overfill. Overfilling will cause the engine to smoke profusely and will result in poor engine performance.
4. Check the oil level three times prior to starting the engine to be certain you've gotten an accurate dipstick reading. Running the engine with too little oil can result in permanent engine damage.

Gasoline

1. Remove the fuel cap from the fuel tank.
2. Make sure the container from which you will pour the gasoline is clean and free from rust or foreign particles. Never use gasoline that may be stale from long periods of storage in its container. Gasoline that has been sitting for any period longer than four weeks should be considered stale.
3. Fill the fuel tank with about 1.5 quarts of clean, fresh gasoline with a minimum of 85 octane.

NOTE: Never overfill the fuel tank. Fill tank to no more than 1/2 inch below bottom of filler neck to provide space for fuel expansion.

PREPARING THE LOG SPLITTER

1. Lubricate the beam area (where the splitting wedge will slide) with engine oil. Do not use grease.
2. Remove the vented reservoir dipstick, which is located in front of the engine on top of the reservoir tank. See Figure 6.

NOTE: The log splitter is filled to the proper operating level from the manufacturer with Shell Tellus® 32 Hydraulic Fluid. However, you MUST check the fluid level before operating. If not filled, proceed with the following steps:

⚠ WARNING

Much of the original fluid has been drawn into the cylinder and hoses. Make certain to refill the reservoir to prevent damage to the hydraulic pump.

3. Check the fluid level using the dipstick. See Figure 7. Do not overfill.

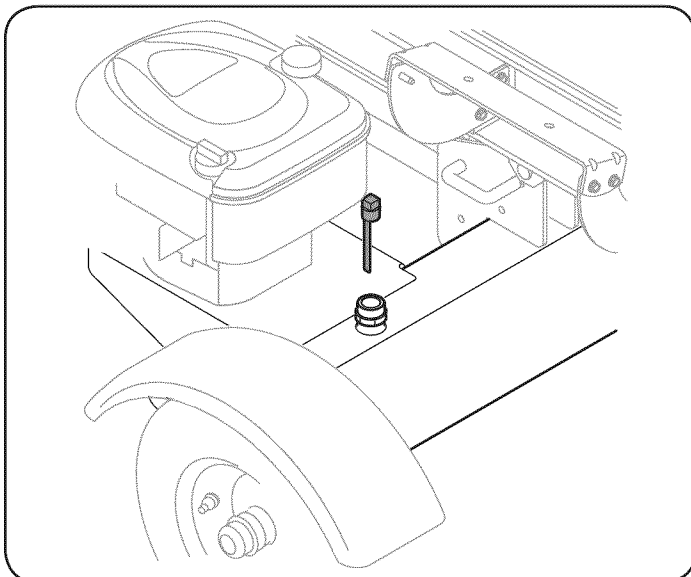


Figure 7

4. Replace the vented dipstick securely, tightening it until the top of the threads are flush with top of the pipe.
5. Disconnect the spark plug and prime the pump by pulling the recoil starter as far as it will go. Repeat approximately 10 times.
6. Reconnect the spark plug wire and start the engine following the instructions in the Operation section.
7. Use the control handle to engage the wedge to the farthest extended position. Then retract the wedge.
8. Refill the tank as specified on the dipstick.

NOTE: Failure to refill the tank will void the splitter's warranty.

9. Extend and retract the wedge 12 complete cycles to remove any air trapped in the system (the system is "self-bleeding").
10. Refill the reservoir within the range marked on the dipstick.

NOTE: Some fluid may overflow from the vent plug as the system builds heat and the fluid expands and seeks a balanced level.

Tire Pressure

The max recommended operating pressure is 30 psi. Do not, under any circumstances, exceed the manufacturer's recommended psi. Maintain equal pressure on all tires.

OPERATION

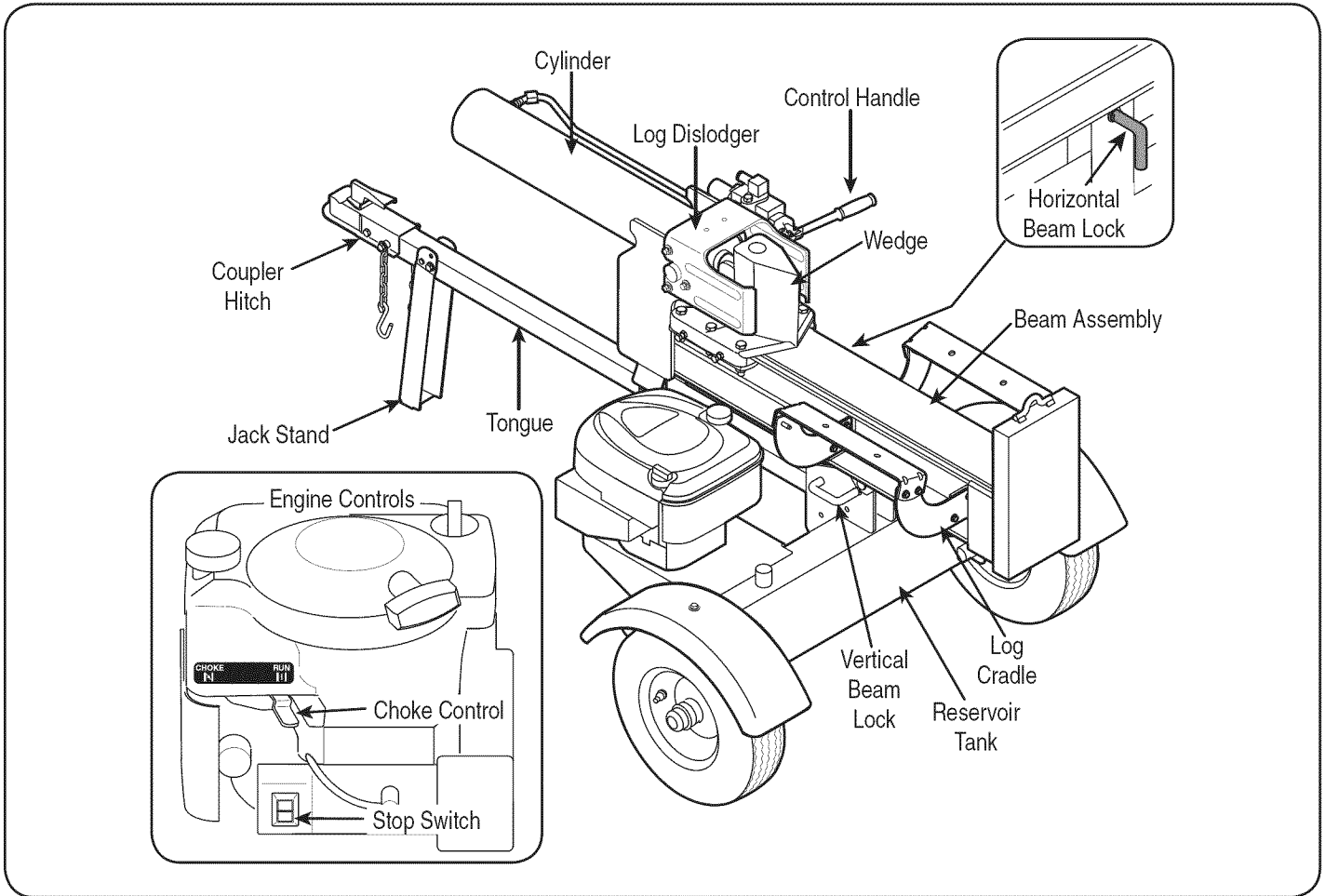


Figure 8

⚠ WARNING

Read this operator's manual and the safety rules before operating your log splitter. Compare the illustrations below with your equipment to familiarize yourself with the location of various controls and adjustments. Save this manual for future reference.

⚠ WARNING

Be familiar with all the controls and their proper operation. Know how to stop the machine and disengage them quickly.

⚠ WARNING

Always wear safety glasses when operating this equipment or while performing any adjustments or repairs on it.

BEAM LOCKS

These two locks are used to secure the beam in the horizontal or the vertical position. The vertical beam lock is located on the tanks bracket. The horizontal beam lock is located on the beam support latch bracket.

WEDGE

The wedge is used to split the wood.

COUPLER HITCH

The coupler hitch is at the end of the tongue and attaches to a tow ball for transportation purposes.

CONTROL HANDLE

The Control Handle is used to move the wedge up and down to split wood. The control handle has three positions; Forward, Neutral and Reverse. See the Using the Log Splitter Section for instructions.

LOG DISLODGER

The log dislodger is designed to remove any partially split wood from the wedge. This may occur while splitting large diameter wood or freshly cut wood.

STARTER HANDLE

Used to start the engine.

MEETS ANSI SAFETY STANDARDS

Craftsman Log Splitters conform to the safety standard of the American National Standards Institute (ANSI).

OPERATION

TONGUE

The tongue is used to attach to a towing vehicle for transportation.

CHOKE CONTROL

The choke control is used to choke the carburetor and assist in starting the engine.

CHOKE



RUN



STOP SWITCH

The stop switch is used to turn off the engine and must be pushed back to the ON position before the engine will start.



TO START ENGINE

1. Attach spark plug wire and rubber boot to spark plug.
2. Gas tank should be filled 3/4 to full before starting.
3. Push the stop switch to the ON position. See Figure 9.

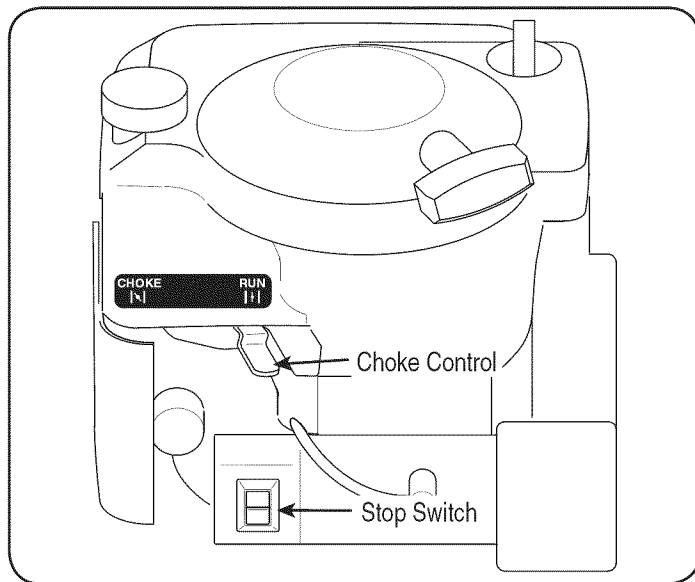





Figure 9

4. Move the choke lever to the CHOKE  position. (A warm engine may not require choking.) See Figure 9.
5. Standing on the left side of the log splitter and facing the front of the engine, grasp the starter handle and pull the rope out until you feel a drag.
6. Pull the rope with a rapid, continuous, full arm stroke. Keep a firm grip on the starter handle. Let the rope rewind slowly.
7. Repeat, if necessary, until engine starts. When engine starts, move choke control gradually to the RUN  position.
8. If engine falters, move choke control back to the CHOKE  position and repeat steps 7 through 9.

TO STOP ENGINE

1. Push the stop switch to the OFF position. See Figure 9.
2. Disconnect spark plug wire and ground it to prevent accidental starting while the equipment is unattended.

USING THE LOG SPLITTER

1. Place the log splitter on dry, level ground.
2. Block the front and back of both wheels.
3. Place the beam in either the horizontal or vertical position and lock it in place with the appropriate beam lock.
4. Block the front and back of both wheels.
5. Place the log against the end plate and only split wood along the grain (lengthwise).
6. To stabilize the log, place your hand only on the sides of the log. Never place your hand on the end between the log and the splitting wedge.
7. Only one adult should stabilize the log and operate the control handle, so the operator has full control over the log and the splitting wedge.

Control Handle

Refer to Figure 10 for the following steps.

1. Move the control handle FORWARD or DOWN to split wood.
2. Release the control handle to stop the wedge movement.
3. Move the control handle BACK or UP to return the wedge.

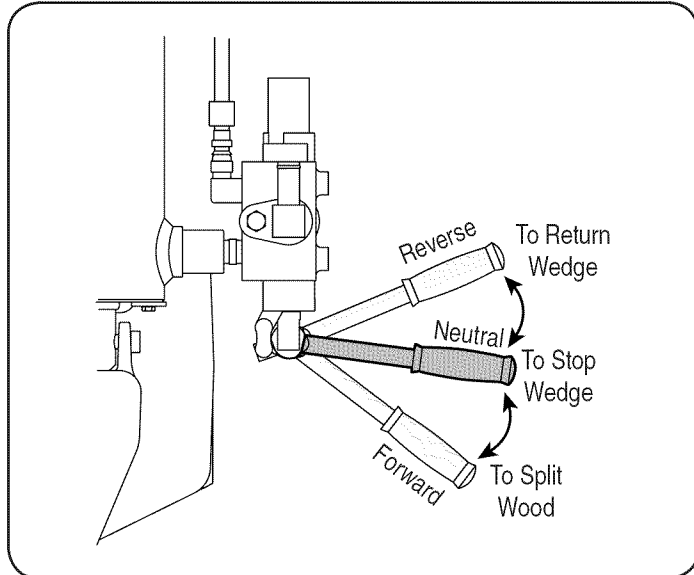


Figure 10

OPERATION

Log Dislodger

The log dislodger is designed to remove any partially split wood from the wedge. This may occur while splitting large diameter wood or freshly cut wood.

⚠ WARNING

Never remove partially split wood from the wedge with your hands. Fingers may become trapped between the split wood.

1. To free the wedge from a partially split piece of wood, place the control handle in the REVERSE position. As it moves back, the split wood portion will contact the log dislodger and become detached from the wedge.
2. Once removed from the wedge with the log dislodger, split the wood from the opposite end or in another location.

Vertical Position

1. Pull the horizontal beam lock out to release the beam and pivot the beam to the vertical position.
2. To lock the beam in the vertical position, pull out on the vertical beam lock and rotate it to secure the beam. See Figure 11.

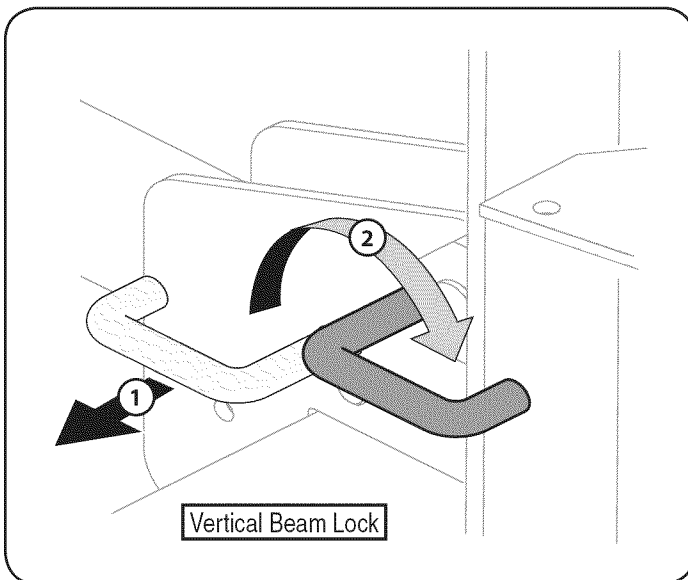


Figure 11

3. Stand in front of the log splitter to operate the control handle and to stabilize the log. See Figure 12.

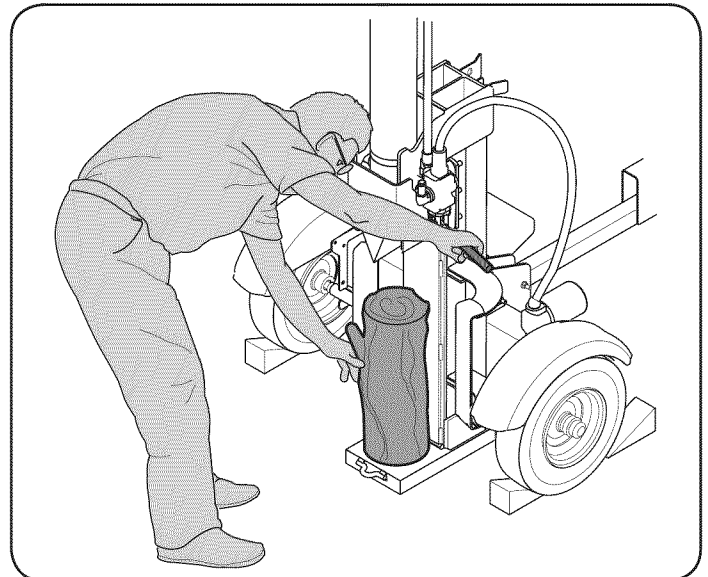


Figure 12

Horizontal Position

1. Pull the vertical beam lock out and rotate it down. See Figure 13. Pivot the beam to the horizontal position. The beam will lock automatically in the horizontal position.

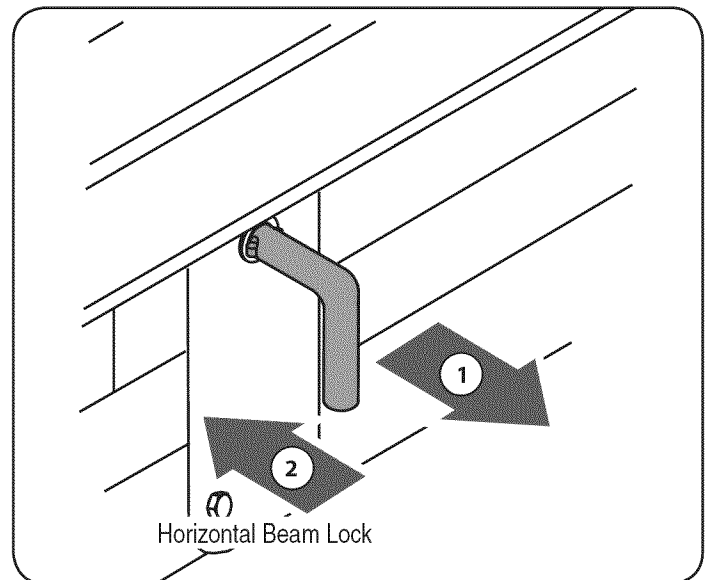


Figure 13

OPERATION

- Stand behind the reservoir tank to operate the control handle and to stabilize the log. See Figure 14.

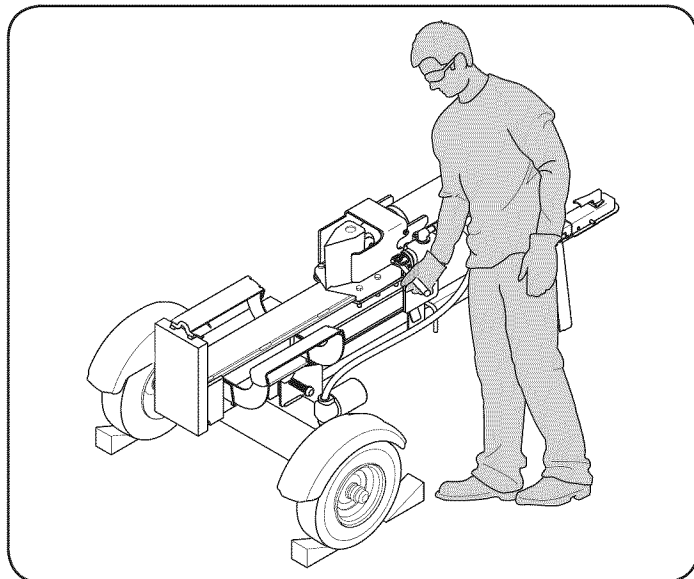


Figure 14

TRANSPORTING THE LOG SPLITTER

- Lower the beam to its horizontal position. Make certain the beam is locked securely with the horizontal beam lock.
- Remove spring clip and clevis pin from jack stand.
- Support the tongue and pivot the jack stand up against the tongue. See Figure 15.

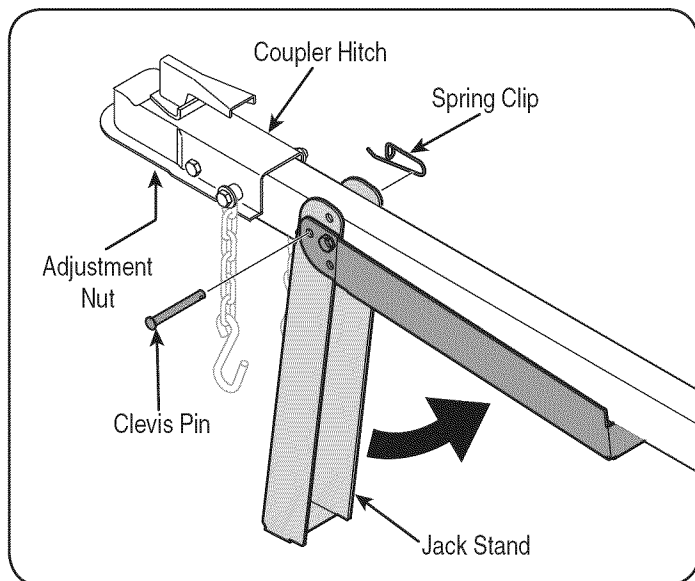


Figure 15

- Secure the jack with the spring clip and clevis pin previously removed. See Figure 15.

- Attach the coupler hitch to a class 1 or higher 2" ball on a towing vehicle. Latch securely.
 - If the coupler hitch does not fit on the ball: Turn the adjustment nut located under the coupler hitch one turn counter-clockwise.
 - If the coupler hitch is too loose on the ball: Turn the adjustment nut located under the coupler hitch one turn clockwise.
- Connect the safety chains to the towing vehicle.
- Plug in the tail lights, if so equipped, to the tail light connector on the tow vehicle.

⚠ WARNING

Do not tow faster than 45 mph and check local, state, and federal requirements before towing on any public road.

NOTE: Use caution when backing up. Using a spotter outside of the vehicle is recommended.

OPERATING TIPS

Always:

- Use clean fluid and check the fluid level regularly.
- Use an approved hydraulic fluid. Approved fluids include Shell Tellus® 32 Hydraulic Fluid, Dexron® III / Mercon® automatic transmission fluid, Pro-Select™ AW-32 Hydraulic Oil or 10WAW-ISO viscosity grade 32 hydraulic oil.

NOTE: It is not recommended that hydraulic fluids be mixed.

- Always ensure that the filter is in place. Clean or replace the filter regularly.
- This unit comes with a breather cap on the fluid reservoir. Do not use any other type of reservoir cap.
- Make sure the pump is mounted and aligned properly.
- This unit comes with a flexible "spider" type coupling between the engine and pump drive shafts. Do not use any other type of coupling.
- Keep the hoses clear and unblocked.
- Bleed the air out of the hoses before operating.
- Flush and clean the hydraulic system before restarting after servicing.
- Use "pipe dope" on all hydraulic fittings.
- Allow time for the engine to warm-up before splitting wood.
- Prime the pump before the initial start-up by turning over the engine with spark plug disconnected.
- Split the wood along the grain (lengthwise) only.

Never:

- Use when fluid is below 20° F or above 150° F.
- Use a solid engine /pump coupling.
- Operate through relief valve for more than 5 seconds. If the wedge stops moving or reaches the end of its stroke, release the control valve or REVERSE it within 5 seconds to avoid putting stress on the hydraulic system and engine.
- Attempt to adjust unloading or relief valve settings.
- Operate with air in the hydraulic system.
- Use teflon tape on the hydraulic fittings.
- Attempt to cut wood across the grain.
- Attempt to remove partially split wood from the wedge with your hands. Fully retract the wedge to dislodge the wood with the log dislodger.

SERVICE & ADJUSTMENTS

⚠ WARNING

Do not at any time make any adjustments without first stopping the engine, disconnecting spark plug wire and grounding it against the engine. Always wear safety glasses during operation or while performing any adjustments or repairs.

WEDGE ASSEMBLY ADJUSTMENT

As normal wear occurs and there is excessive “play” between the wedge and beam, adjust the bolts on the side of the wedge assembly to eliminate excess space between the wedge and the beam.

1. Loosen the jam nuts on the two adjustment bolts on the side of the wedge. See Figure 16.

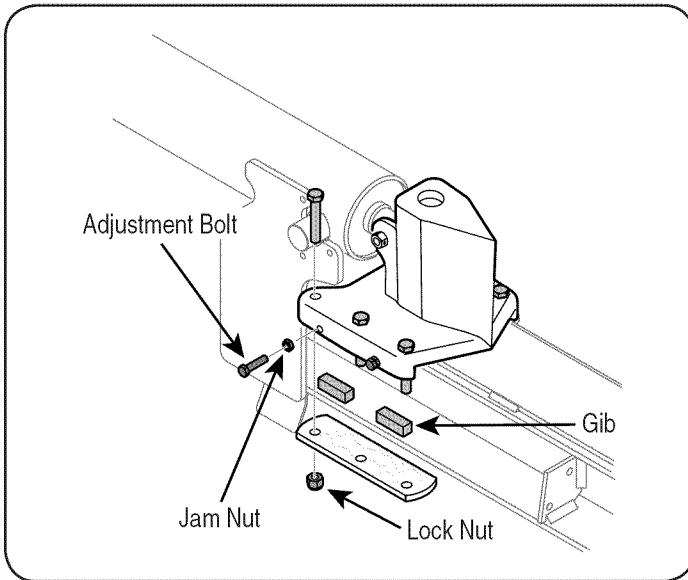


Figure 16

2. Turn the adjustment bolts in until snug and then back them off slowly (approximately 1.5 turns) until the wedge assembly will slide on the beam.
3. Re-tighten the jam nuts securely against the side of the wedge to secure the adjustment bolts in this position.

GIB ADJUSTMENT

Periodically remove and replace the “gibs” (spacers) between the wedge assembly and the back plate.

NOTE: The gibs may be rotated and/or turned over for even wear.

1. Loosen the lock nuts under each back plate and slide the gibs out. See Figure 16.
2. Turn or replace the gibs.
3. Reassemble the back plate and secure with the lock nuts.
4. Readjust the bolts on the side of the wedge assembly.

HOSE CLAMPS

- Before each use check all the hose clamps to see if they are tight.

FLEXIBLE PUMP COUPLER

The flexible pump coupler is a nylon “spider” insert, located between the pump and the engine shaft. Over time, the coupler will harden and deteriorate. If you detect vibration or noise coming from the area between the engine and the pump contact an authorized service dealer. If the coupler fails completely, you will experience a loss of power.

TIRES

The maximum pressure for the tires is 30 psi. Do not exceed the manufacturer’s recommended psi under any circumstances. Maintain equal pressure on all tires.

⚠ WARNING

Excessive pressure when seating beads may cause the tire/rim assembly to burst with force sufficient to cause serious injury. Refer to sidewall of the tire for the recommended pressure.

MAINTENANCE

Maintenance Schedule

TASKS	Before Each Use	First 5 Hours	Every 25 Hours	Every 50 Hours	Every 100 Hours	SERVICE DATES
Lubricate Beam & Wedge	✓					
Change Hydraulic Fluid					✓	
Change Hydraulic Filter				✓		
Clean Reservoir Screen					✓	
Check Reservoir Fluid	✓					
Check Engine Oil	✓					
Change Engine Oil		✓	✓ *	✓		
Service Air Filter				✓		
Service Spark Plug				✓		
Clean Engine	✓					

* — Heavy load or high ambient temperature use.

Figure 17

WARNING

Do not at any time make any adjustments without first stopping the engine, disconnecting the spark plug wire and grounding it against the engine. Always wear safety glasses during operation or while performing any adjustments or repairs.

GENERAL RECOMMENDATIONS

1. Always observe the safety rules when performing any maintenance.
2. The warranty on this log splitter does not cover items that have been subjected to operator abuse or negligence. To receive full value from the warranty, the operator must maintain the equipment as instructed in this manual.
3. Some adjustments will need to be made periodically to maintain your equipment properly.
4. Follow the maintenance schedule (Figure 17).
5. Periodically check all fasteners and make sure they are tight.

MAINTENANCE

HYDRAULIC FLUID AND INLET FILTER

⚠ WARNING

Stop the engine and relieve hydraulic system pressure before changing or adjusting fittings, hoses, tubing, or other system components.

Check the hydraulic fluid level in the log splitter reservoir tank before each use. Maintain the fluid level within the range specified on the dipstick at all times.

Change the hydraulic fluid in the reservoir every 100 hours of operation. Follow the steps below:

1. Disconnect the suction hose from the bottom of the reservoir tank.
2. Carefully unthread the inlet filter and clean it with penetrating oil. See Figure 18.

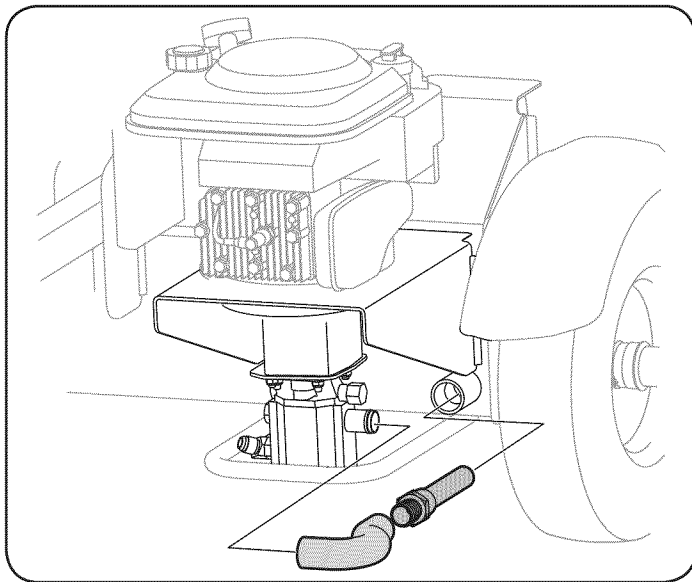


Figure 18

3. Allow the fluid to drain into a suitable container.
4. Reinsert the filter and refill the reservoir. Approved fluids include Shell Tellus® 32 Hydraulic Fluid, Dexron® III / Mercon automatic transmission fluid, Pro-Select™ AW-32 Hydraulic Oil or 10WAW-ISO viscosity grade 32 hydraulic oil.
5. Maintain the fluid level within the range specified on the dipstick at all times.

NOTE: Always dispose of used hydraulic fluid and engine oil at approved recycling centers only.

Contaminants in fluid may damage the hydraulic components. Flushing the reservoir tank and hoses with kerosene whenever service is performed on the tank, hydraulic pump or valve is recommended. Any repair to the hydraulic components should be performed by a Sears Service Center.

⚠ WARNING

Use extreme caution when working with kerosene. It is an extremely flammable fluid.

Hydraulic Filter

Change the hydraulic filter every 50 hours of operation. Use only a 10 micron hydraulic filter. Order part number 723-0405.

BEAM AND SPLITTING WEDGE

Before each use, lubricate both sides of the beam (where it comes into contact with the splitting wedge) with engine oil. The wedge plate on the log splitter is designed so the gibs on the side of the wedge plate can be removed and rotated and/or turned over for even wear.

Make certain to readjust the adjustment bolts so the wedge moves freely, but no excess space exists between the wedge plate and the beam.

ENGINE

Check Engine Oil

1. Stop the engine and wait several minutes before checking the oil level.
2. Remove the oil fill dipstick.
3. Check the oil level on the dipstick. With the engine on level ground, the oil must be to the FULL mark on the dipstick.
4. Replace the dipstick and tighten.

Changing Engine Oil

Refer to an authorized Sears Service Center.

Service Air Filter

The air filter prevents damaging dirt, dust, etc., from entering the carburetor and being forced into the engine and is important to engine life and performance.

⚠ WARNING

Never run the engine without an air cleaner completely assembled.

Service the cartridge every 25 operating hours or every season. Service the cartridge more often under dusty conditions.

To Service Air Filter

1. Loosen the air filter cover screw, but do not remove the screw from the cover. Swing the cover down to remove from the hinge.
2. Inspect the filter for discoloration or dirt accumulation. If either is present, proceed as follows:
 - a. Clean the inside of compartment and cover thoroughly and remove the cartridge.
 - b. Reassemble the new cartridge in the compartment. Swing the cover down and tighten the screw loosened earlier.

⚠ WARNING

Temperature of muffler and nearby areas may exceed 150° F(65°C). Avoid these areas.

MAINTENANCE

Service Spark Plug

1. Clean the spark plug and reset the gap to .030" at least once a season or every 50 hours of operation.
2. Clean the area around the spark plug. Remove and inspect the spark plug.
3. Replace the spark plug if the electrodes are pitted, burned or the porcelain is cracked.

NOTE: Contact a Sears Parts and Repair Center or 1-800-4-MY-HOME® for a replacement spark plug, Champion® part number RJ19LM.

4. Check the electrode gap with a wire feeler gauge and reset the gap to .030 inches. See Figure 19.

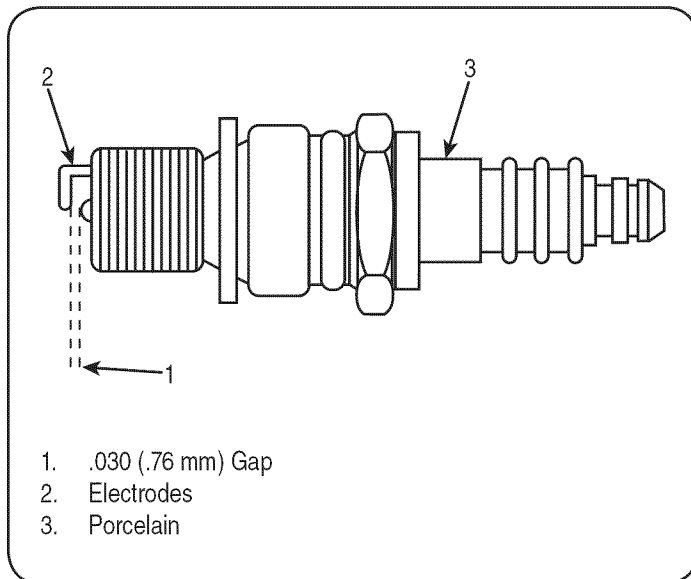


Figure 19

NOTE: Do not sand the spark plug. The spark plug should be cleaned with a wire brush and a commercial solvent.

Clean Engine

1. Clean the engine periodically, by removing dirt and debris with a cloth or brush.

NOTE: Cleaning with a forceful spray of water is not recommended as water could contaminate the fuel system.

2. To ensure smooth operation of the engine, keep the governor linkage, springs and controls free of debris.
3. Every 100 hours of operation, remove combustion deposits from top of cylinder, head, top of piston and around valves.

OFF-SEASON STORAGE

Prepare your log splitter for storage at the end of the season or if the log splitter will not be used for 30 days or more.

WARNING

Never store the machine with fuel in the fuel tank inside of building where fumes may reach an open flame or spark or where ignition sources are present such as hot water and space heaters, furnaces, clothes dryers, stoves, electric motors, etc.

NOTE: A yearly check-up by your local Sears service center is a good way to ensure your log splitter will provide the maximum performance next season.

LOG SPLITTER

1. Clean the log splitter thoroughly.
2. Wipe the log splitter with an oiled rag to prevent rust, especially on the wedge and the beam.

ENGINE

NOTE: It is important to prevent gum deposits from forming in the essential fuel system parts such as the carburetor, fuel filter, fuel hose or tank during storage. Also, alcohol blended fuels (called gasohol or using ethanol or methanol) can attract moisture which leads to separation and formation of acids during storage. Acidic gas can damage the fuel system of an engine while in storage.

1. Drain the fuel tank by running the engine until the fuel lines and carburetor are empty. Always drain the fuel into an approved container outdoors away from open flame. Be sure the engine is cool. Do not smoke while handling the fuel.

NOTE: Never use engine or carburetor cleaner products in the fuel tank or permanent damage may occur. Use fresh fuel next season.

2. Remove the spark plug, pour approximately ½ oz. of engine oil into cylinder and crank it slowly to distribute the oil.
3. Replace the spark plug.

FUEL STABILIZER

NOTE: Fuel stabilizer is an acceptable alternative in minimizing the formation of fuel gum deposits during storage.

Please follow the instructions below for storing your log splitter with fuel and stabilizer in the engine:

1. Add stabilizer to the gasoline in the fuel tank or storage container. Always follow the mix ratio found on the stabilizer container.
2. Run the engine at least 10 minutes after adding stabilizer to allow the stabilizer to reach the carburetor.

NOTE: Do not drain the gas tank and carburetor if using fuel stabilizer. Drain all the oil from the crankcase (this should be done after the engine has been operated and is still warm) and refill the crankcase with fresh oil.

OTHER

- Do not store the gasoline from one season to another.
- Replace your gasoline can if it starts to rust.
- Store the log splitter in a clean, dry area. Do not store it next to any corrosive materials, such as fertilizer.
- Wipe the equipment with an oiled rag to prevent rust.

NOTES

TROUBLESHOOTING

⚠ WARNING

Before performing any type of maintenance/service, disengage all controls and stop the engine. Wait until all moving parts have come to a complete stop. Disconnect spark plug wire and ground it against the engine to prevent unintended starting. Always wear safety glasses during operation or while performing any adjustments or repairs.

This section addresses minor service issues. To locate the nearest Sears Service Center or to schedule service, simply contact Sears at 1-800-4-MY-HOME®.

PROBLEM	CAUSE	REMEDY
Engine fails to start	<ol style="list-style-type: none"> 1. Spark plug wire disconnected. 2. Fuel tank empty or stale fuel. 3. Choke lever not in CHOKE position. 4. Faulty spark plug. 5. Blocked fuel line. 6. Dirty air cleaner. 	<ol style="list-style-type: none"> 1. Connect wire to spark plug. 2. Fill tank with clean, fresh gasoline. 3. Move choke to CHOKE position. 4. Service spark plug following instructions in the Maintenance section. 5. Clean fuel line. 6. Service air cleaner following instructions in the maintenance section.
Engine running erratically/ inconsistent RPM (hunting or surging)	<ol style="list-style-type: none"> 1. Unit running with CHOKE applied (if so equipped). 2. Spark plug wire loose. 3. Blocked fuel line or stale fuel. 4. Water or dirt in fuel system. 5. Dirty air cleaner. 6. Carburetor not adjusted properly. 	<ol style="list-style-type: none"> 1. Move choke lever to RUN position. 2. Connect and tighten spark plug wire. 3. Clean fuel line; fill tank with clean, fresh (less than 30 days old) gasoline. 4. Drain fuel tank. Refill with fresh fuel. 5. Clean or replace air cleaner. 6. Contact Sears service center.
Engine Overheats	<ol style="list-style-type: none"> 1. Engine oil level low. 2. Dirty air cleaner. 3. Carburetor not adjusted properly. 	<ol style="list-style-type: none"> 1. Fill crankcase with proper oil. 2. Service air cleaner following instructions in the maintenance section. 3. Contact Sears service center.
Cylinder rod will not move	<ol style="list-style-type: none"> 1. Broken drive shaft. 2. Shipping plugs left in hydraulic hoses. 3. Set screws in coupling not adjusted properly. 4. Loose shaft coupling. 5. Gear sections damaged. 6. Damaged relief valve. 7. Hydraulic lines blocked. 8. Incorrect oil level. 9. Damaged or blocked directional valve. 	<ol style="list-style-type: none"> 1. Return unit to Sears service center. 2. Disconnect hydraulic hoses, remove shipping plugs, reconnect hoses. 3. See operator's manual for correct adjustment. 4. Correct engine/pump alignment as necessary. 5. Return unit to Sears service center. 6. Return unit to Sears service center. 7. Flush and clean hydraulic system. 8. Check oil level. Refill if necessary. 9. Return unit to Sears service center.
Will not split logs	<ol style="list-style-type: none"> 1. Reservoir fluid level low. 	<ol style="list-style-type: none"> 1. Refill transmission fluid.
Leaking Cylinder	<ol style="list-style-type: none"> 1. Broken seals. 2. Scored cylinder. 	<ol style="list-style-type: none"> 1. Return unit to Sears service center. 2. Return unit to Sears service center.

NEED MORE HELP?

You'll find the answer and more on managemyhome.com – for free!

- Find this and all your other product manuals online.
- Get answers from our team of home experts.
- Get a personalized maintenance plan for your home.
- Find information and tools to help with home projects.

manage my home

brought to you by Sears

TROUBLESHOOTING

⚠ WARNING

Before performing any type of maintenance/service, disengage all controls and stop the engine. Wait until all moving parts have come to a complete stop. Disconnect spark plug wire and ground it against the engine to prevent unintended starting. Always wear safety glasses during operation or while performing any adjustments or repairs.

This section addresses minor service issues. To locate the nearest Sears Service Center or to schedule service, simply contact Sears at 1-800-4-MY-HOME®.

PROBLEM	CAUSE	REMEDY
Slow cylinder shaft speed while extending and retracting.	<ol style="list-style-type: none"> 1. Gear sections damaged. 2. Excessive pump inlet vacuum. 3. Slow engine speed. 4. Damaged relief valve. 5. Incorrect oil level. 6. Contaminated oil. 7. Directional valve leaking internally. 8. Internally damaged cylinder. 	<ol style="list-style-type: none"> 1. Return unit to Sears service center. 2. Make certain pump inlet hoses are clear and unblocked. Use short, large diameter inlet hoses. 3. Return unit to Sears service center. 4. Return unit to Sears service center. 5. Check oil level. Refill if necessary. 6. Drain oil, clean reservoir, and refill. 7. Return unit to Sears service center. 8. Return unit to Sears service center.
Engine runs but wood will not split or wood splits too slowly	<ol style="list-style-type: none"> 1. Small gear section damaged. 2. Pump check valve leaking. 3. Excessive pump inlet vacuum. 4. Incorrect oil level. 5. Contaminated oil. 6. Directional valve leaking internally. 7. Overloaded cylinder. 8. Internally damaged cylinder. 	<ol style="list-style-type: none"> 1. Return unit to Sears service center. 2. Return unit to Sears service center. 3. Make certain pump inlet hoses are clear and unblocked. Use short, large diameter inlet hoses. 4. Check oil level. Refill if necessary. 5. Drain oil, clean reservoir, and refill. 6. Return unit to Sears service center. 7. Do not attempt to split wood against the grain. 8. Return unit to Sears service center.
Engine stalls during splitting	<ol style="list-style-type: none"> 1. Low horsepower/weak engine. 2. Overloaded cylinder. 	<ol style="list-style-type: none"> 1. Return unit to Sears service center. 2. Do not attempt to split wood against the grain. If engine stalls repeatedly, contact Sears service center.
Engine will not turn or stalls under low load conditions	<ol style="list-style-type: none"> 1. Engine/pump misalignment. 2. Frozen or seized pump. 3. Low horsepower/weak engine. 4. Hydraulic lines blocked. 5. Blocked directional valve. 	<ol style="list-style-type: none"> 1. Correct alignment as necessary. 2. Return unit to Sears service center. 3. Return unit to Sears service center. 4. Flush and clean hydraulic system. 5. Return unit to Sears service center.
Leaking pump shaft seal	<ol style="list-style-type: none"> 1. Broken drive shaft. 2. Engine/pump misalignment. 3. Gear sections damaged. 4. Poorly positioned shaft seal. 5. Plugged oil breather. 	<ol style="list-style-type: none"> 1. Return unit to Sears service center. 2. Correct alignment as necessary. 3. Return unit to Sears service center. 4. Return unit to Sears service center. 5. Make certain reservoir is properly vented.

NEED MORE HELP?

You'll find the answer and more on managemyhome.com – for free!

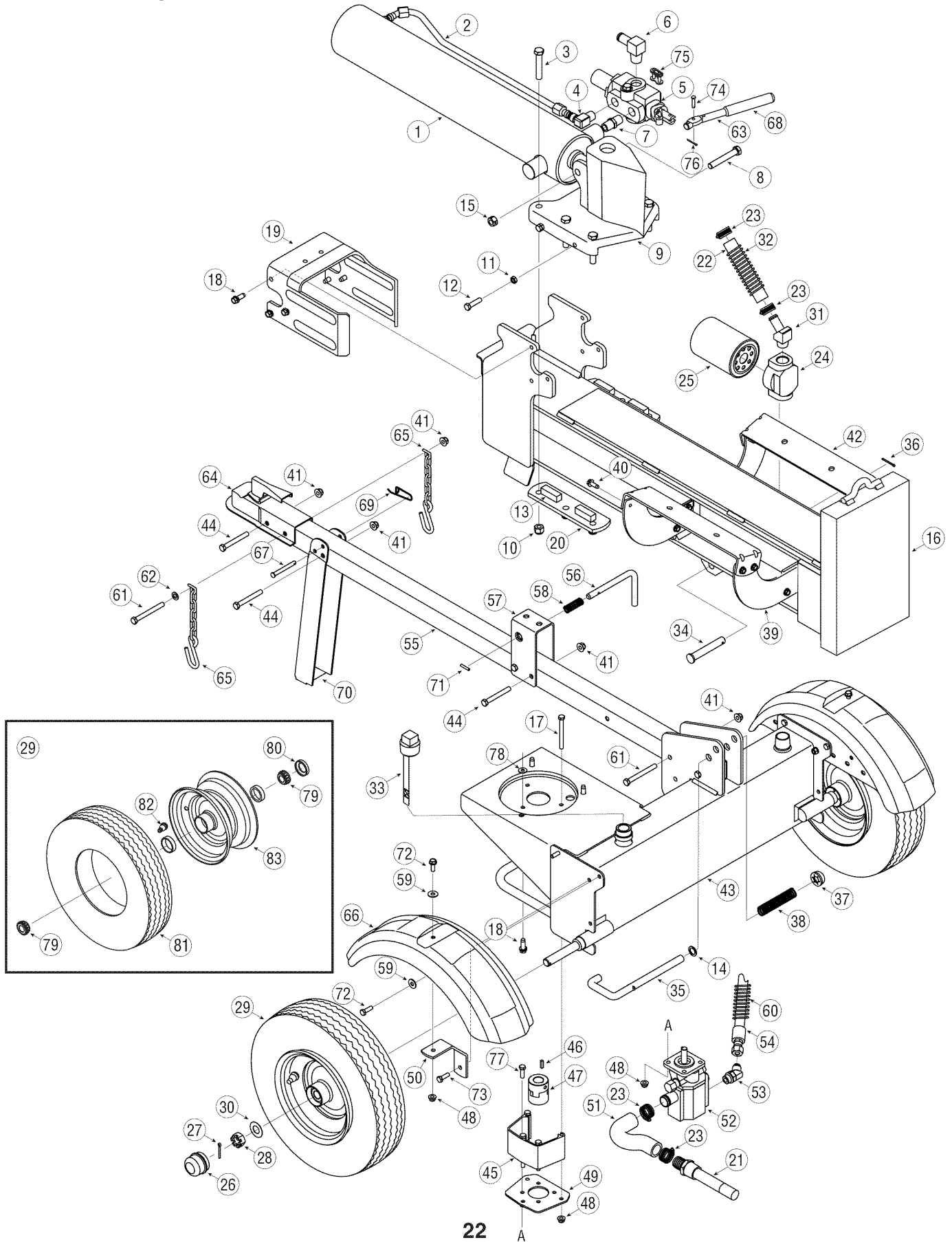
- Find this and all your other product manuals online.
- Get answers from our team of home experts.
- Get a personalized maintenance plan for your home.
- Find information and tools to help with home projects.

manage my home

brought to you by Sears

PARTS LIST

Craftsman Log Splitter Model 247.77641



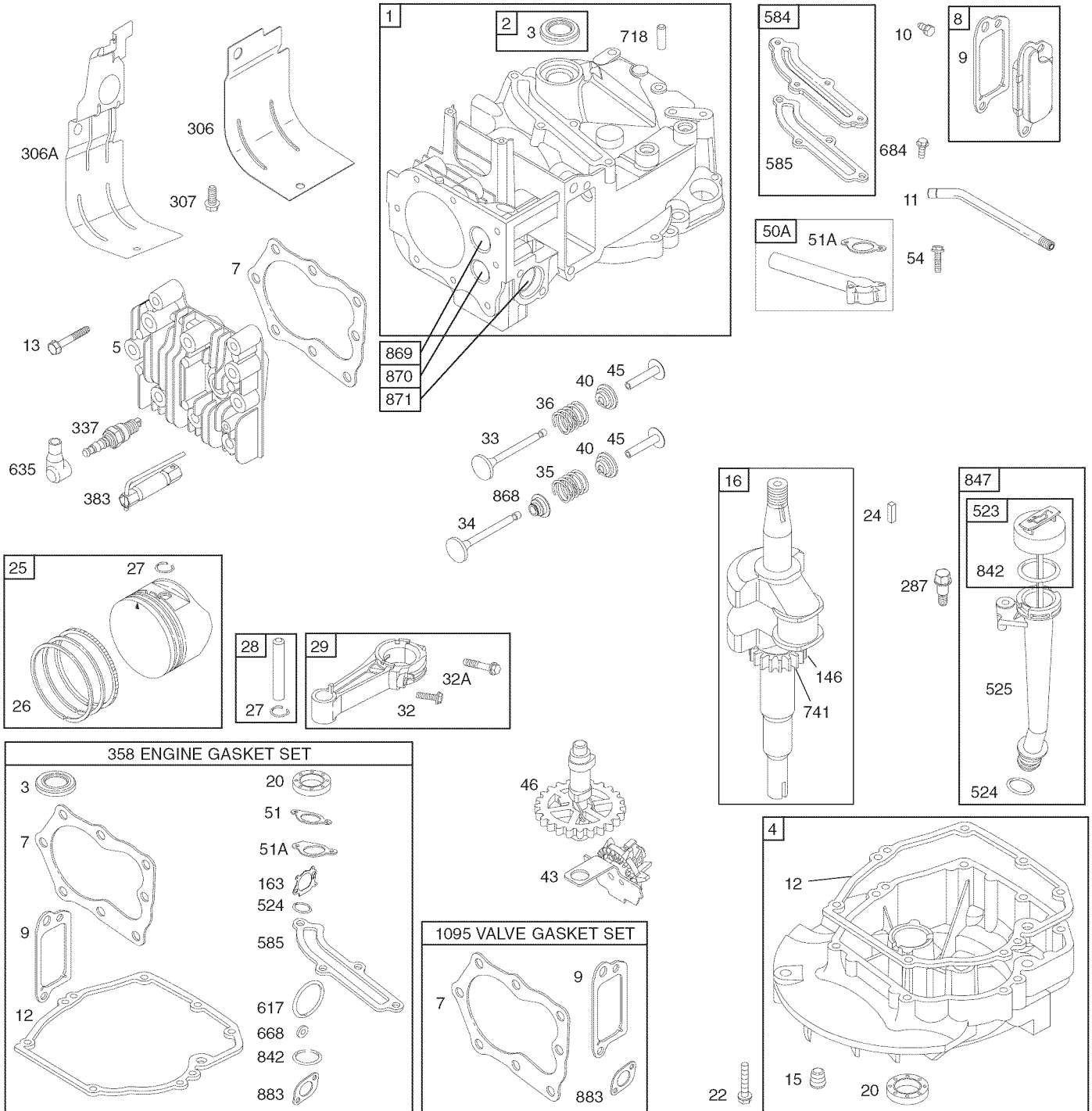
Craftsman Log Splitter Model 247.77641

Ref. No.	Part No.	Description
1.	918-0769A	Hydraulic Cylinder
2.	727-04166	Hydraulic Tube
3.	710-1018	Hex Cap Screw 1/2-20 x 2.75
4.	737-0192	90 Degree Solid Adapter
5.	918-0481A	Control Valve
6.	737-0153	Return Elbow
7.	737-0238	Nipple Pipe 1/2-14
8.	710-1806	Hex Cap Screw 1/2-13 x 3.25
9.	719-0550A	Wedge Assembly
10.	912-3058	Hex Lock Nut, 1/2-20
11.	712-0711	Hex Jam Nut 3/8-24
12.	710-0459A	Hex Cap Screw 3/8-24 x 1.5
13.	781-0351	Adjustable Gib
14.	936-0116	Flat Washer.635 x.93 x.06
15.	712-3022	Hex Lock Nut 1/2-13
16.	681-04071A-0637	Beam Assembly
17.	710-3056	Hex Screw, 5/16-18 x 3.25
18.	710-0654A	Hex Washer Screw 3/8-16 x 1.0
19.	781-1048A-0637	Dislodger Bracket
20.	781-0790-0637	Back Plate
21.	737-04093	Inlet Filter
22.	727-0443	Return Hose 3/4" ID x 44" Lg.
23.	726-0132	Hose Clamp 5/8"
24.	737-0316	Filter Housing
25.	723-0405	Oil Filter
26.	734-0873	Hub Cap
27.	714-0162	Cotter Pin
28.	712-0359	Slotted Nut 3/4-16
29.	634-0186	Wheel Assembly
30.	936-0351	Flat Washer.760 ID x.500 OD
31.	737-0312	Adapter 3/4-14
32.	781-0526A	Hose Guard
33.	737-0348A	Vented Dipstick
34.	711-1587	Clevis Pin
35.	781-0690	Lock Rod
36.	914-0470	Cotter Pin
37.	726-0214	Push Cap
38.	732-0583	Compression Spring
39.	781-04180-0637	Log Tray Bracket
40.	710-04484	Hex Washer Screw, 5/16-18 x .750
41.	712-04065	Flange Lock Nut, 3/8-16
42.	781-04179-0637	Log Tray
43.	981-04040A-0637	Frame Assembly

Ref. No.	Part No.	Description
44.	710-0521	Hex Bolt 3/8-16 x 3"
45.	719-0353	Coupling Shield
46.	914-0122	Square Key 3/16" x.75
47.	710-1842	Screw, 1/4-20 x .38
—	718-04392	Coupling, .500
—	718-04395	Coupling, .875
—	735-04103	Spider Coupling
48.	712-04063	Flange Lock Nut, 5/16-18
49.	781-0097-0637	Rear Coupling Support Bracket
50.	781-1024-0637	Fender Mounting Bracket
51.	727-04130	Hose
52.	918-04127	Gear Pump
53.	737-0329	45 Degree Elbow Fitting
54.	727-0502	High Pressure Hydraulic Hose
55.	781-0788-0637	Tongue Assembly
56.	747-1261	Latch Rod
57.	781-1045-0637	Latch
58.	932-3127	Compression Spring
59.	736-0371	Flat Washer
60.	781-0538A	Hose Guard
61.	710-3085	Hex Cap Screw, 3/8-16 x 3.50
62.	936-0185	Flat Washer,.375 x.738 x.063
63.	747-04539	Hydraulic Valve Control
64.	681-04030	Hitch Coupling Assembly
65.	713-0433A	Chain
66.	731-2496A	Fender
67.	911-0813	Clevis Pin
68.	720-04088	Grip
69.	732-0194	Spring Pin
70.	781-0789-0637	Jack Stand
71.	915-0120	Spiral Pin
72.	710-0650	TT Screw, 5/16-18 x 0.875"
73.	710-0602	TT Screw, 5/16-18 x 1.00
74.	711-04585	Clevis Pin
75.	913-04036	Valve Handle Link
76.	914-0111	Cotter Pin
77.	710-0376	Hex Screw, 5/16-18 x 1.00
78.	736-3010	Flat Washer, .407 x .812 x .135
79.	941-0987	Roller Bearing
80.	921-0168	Dust Seal
81.	734-0872	Tire, 16 x 4.8 x 8.0
82.	934-0255	Tubeless Air Valve
83.	634-0188	Rim Assembly

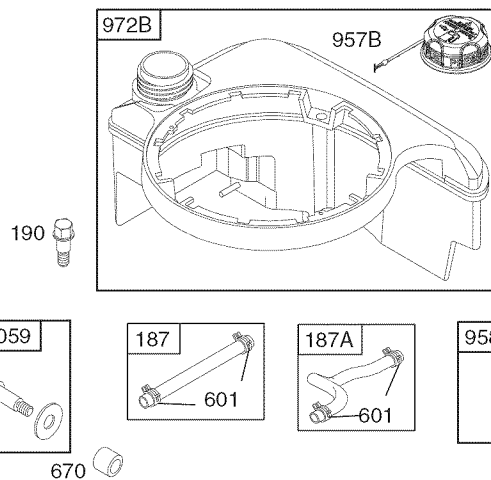
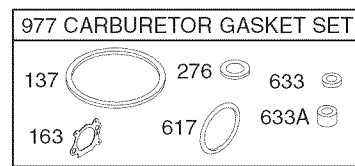
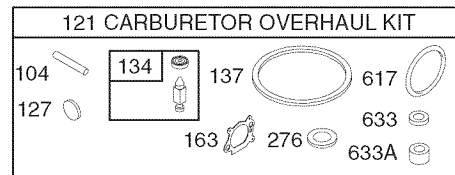
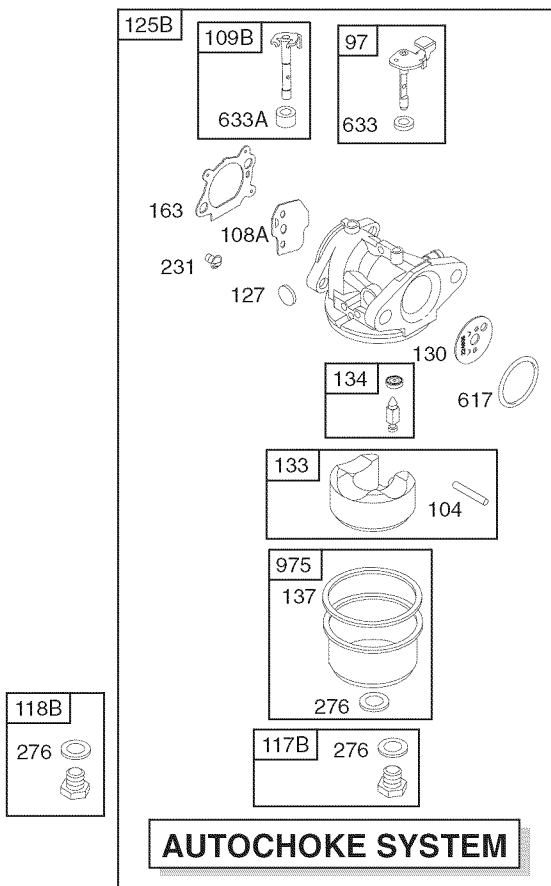
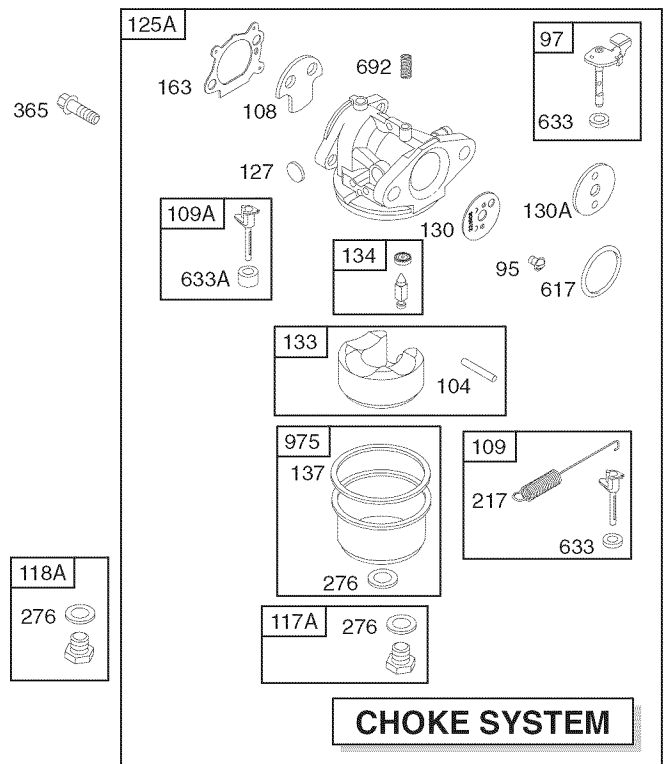
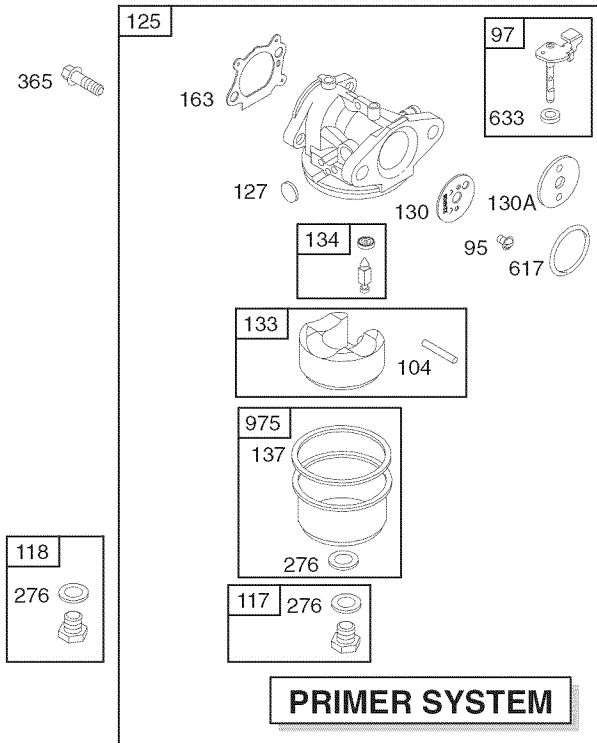
PARTS LIST

Briggs & Stratton Engine Model 126T02 For Craftsman Log Splitter Model 247.77640



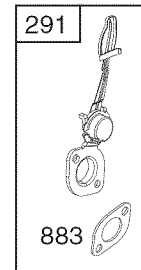
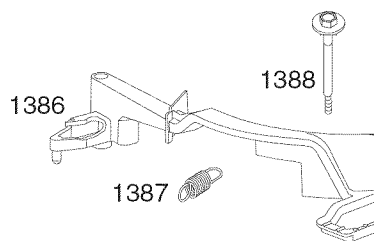
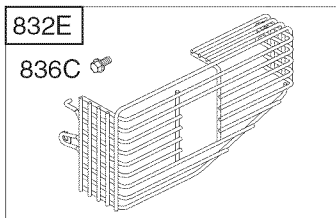
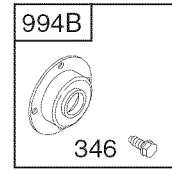
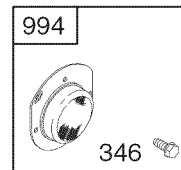
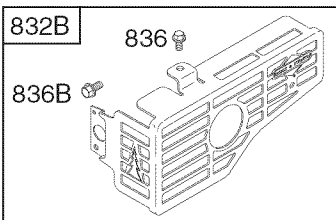
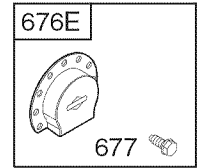
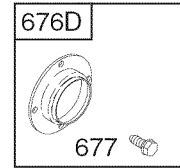
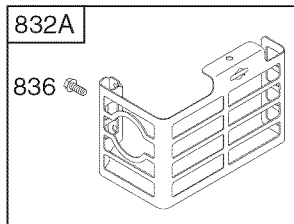
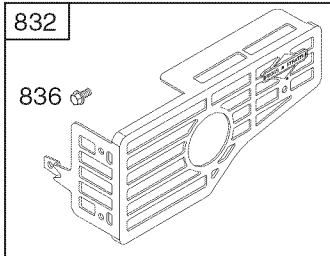
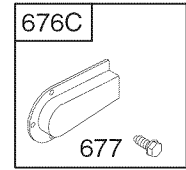
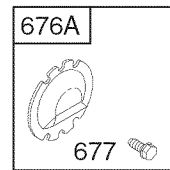
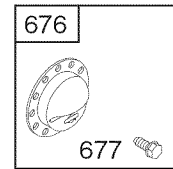
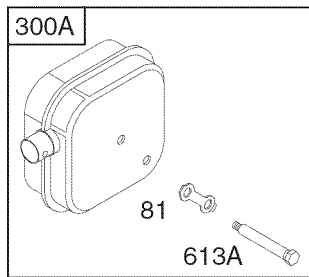
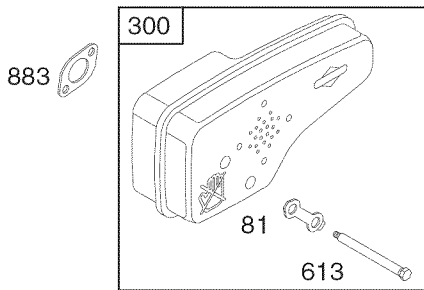
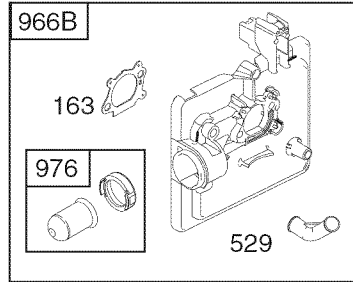
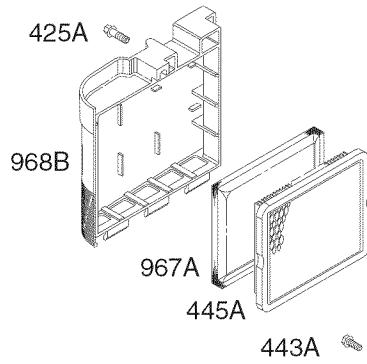
PARTS LIST

Briggs & Stratton Engine Model 126T02 For Craftsman Log Splitter Model 247.77640



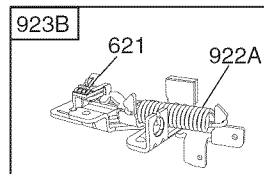
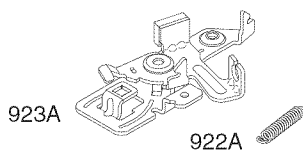
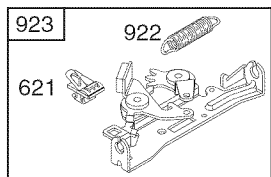
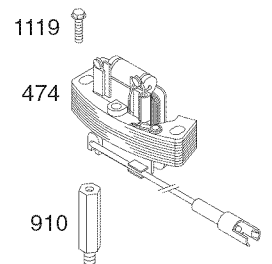
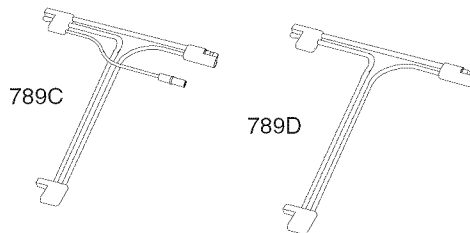
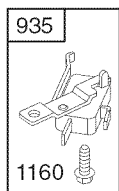
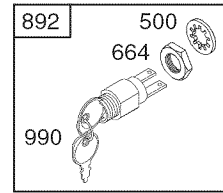
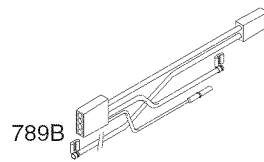
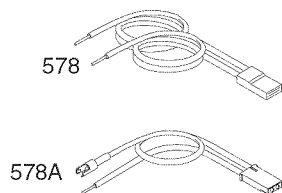
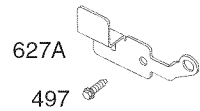
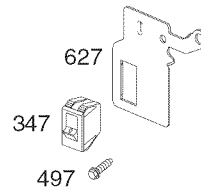
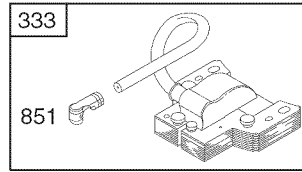
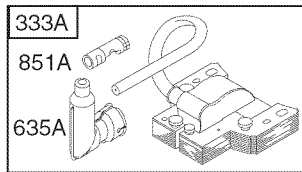
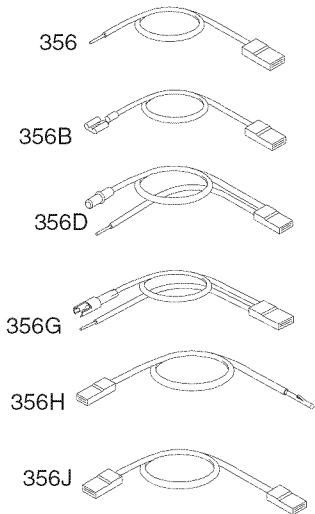
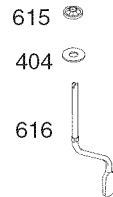
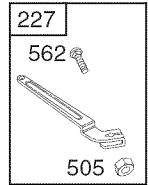
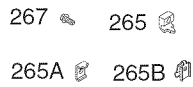
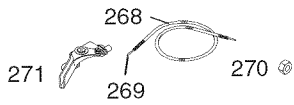
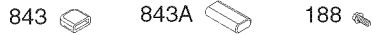
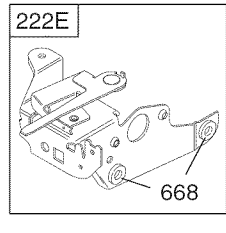
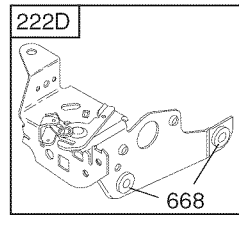
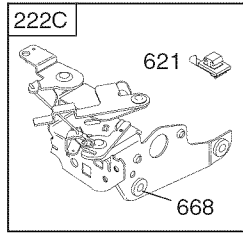
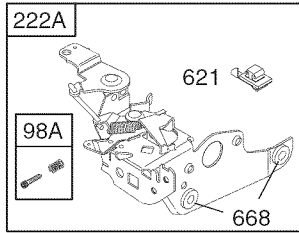
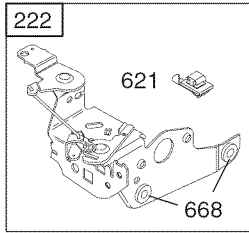
PARTS LIST

Briggs & Stratton Engine Model 126T02 For Craftsman Log Splitter Model 247.77640



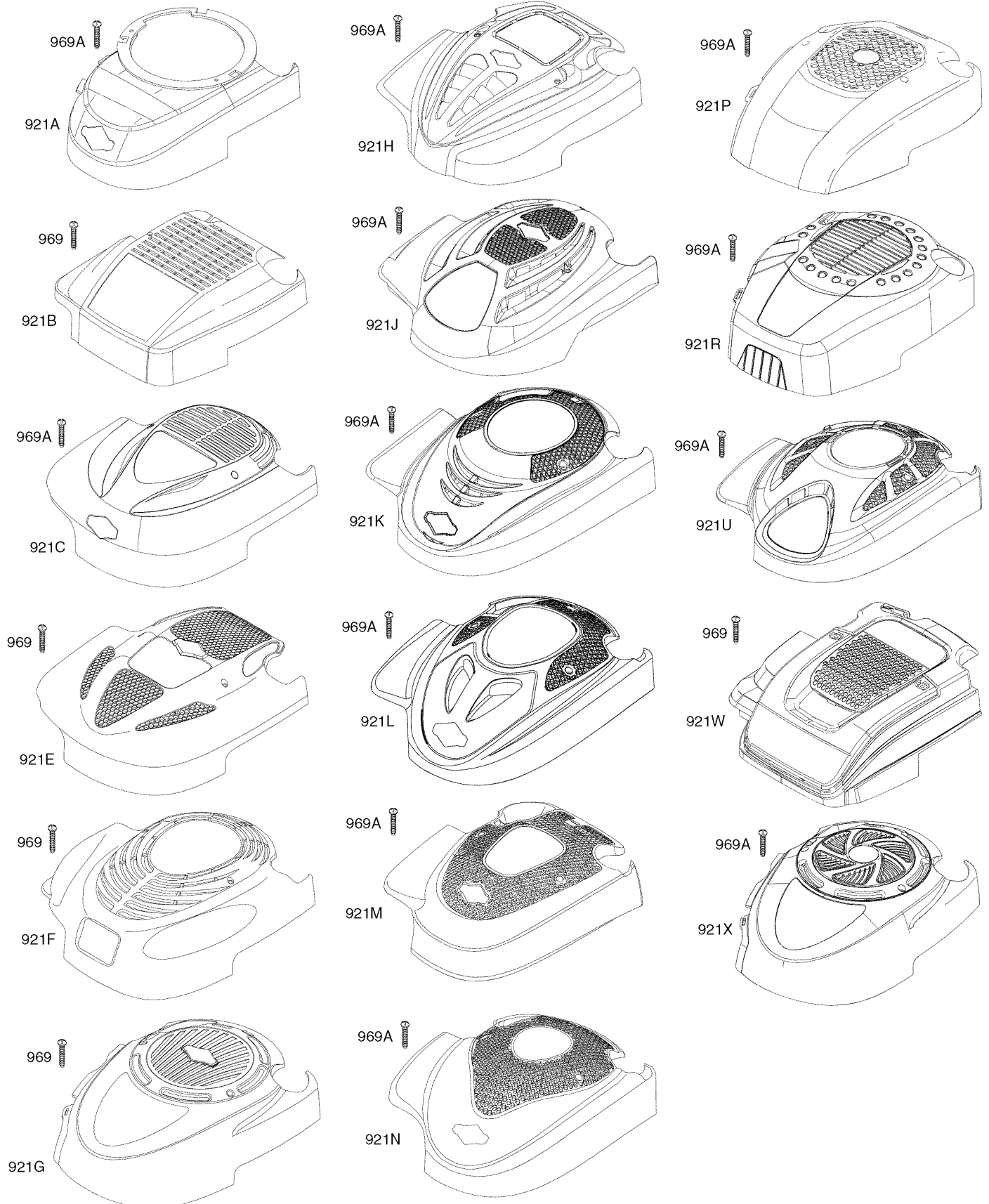
PARTS LIST

Briggs & Stratton Engine Model 126T02 For Craftsman Log Splitter Model 247.77640



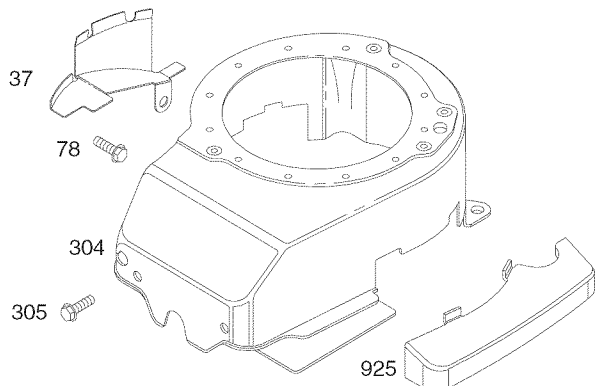
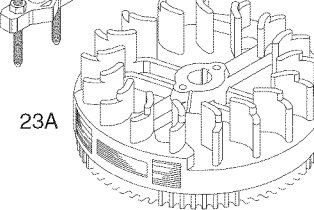
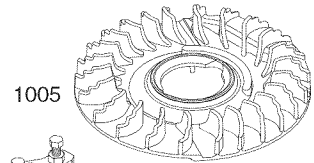
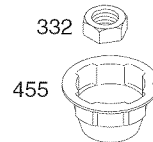
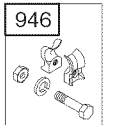
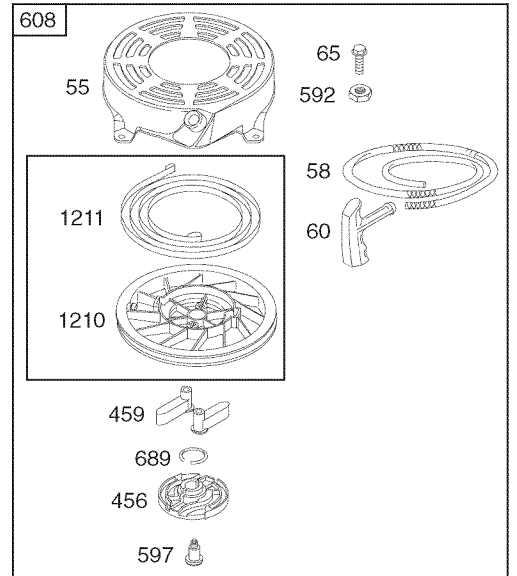
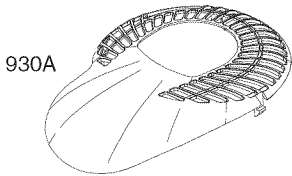
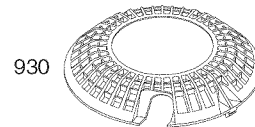
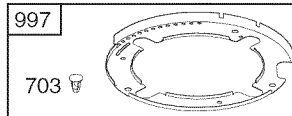
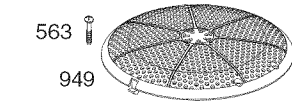
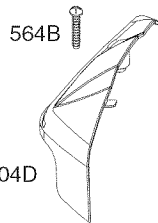
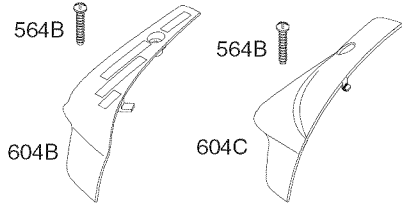
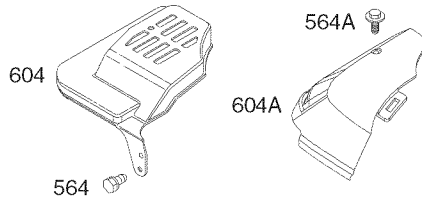
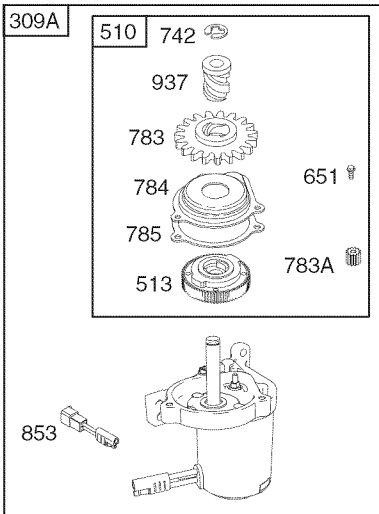
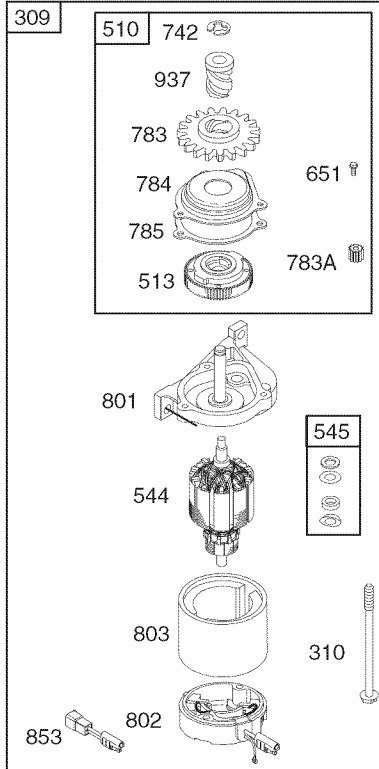
PARTS LIST

Briggs & Stratton Engine Model 126T02 For Craftsman Log Splitter Model 247.77640



PARTS LIST

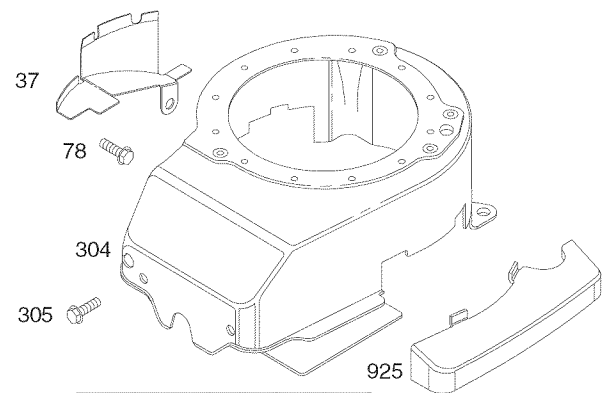
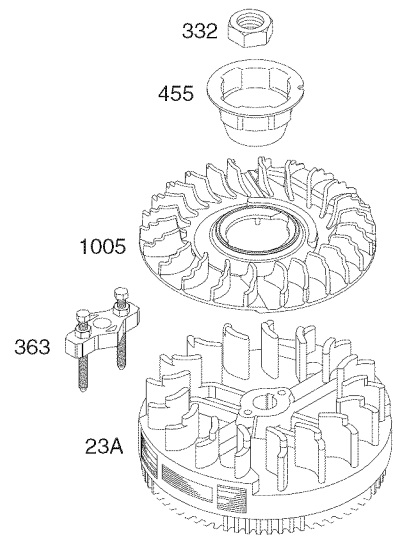
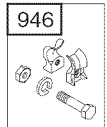
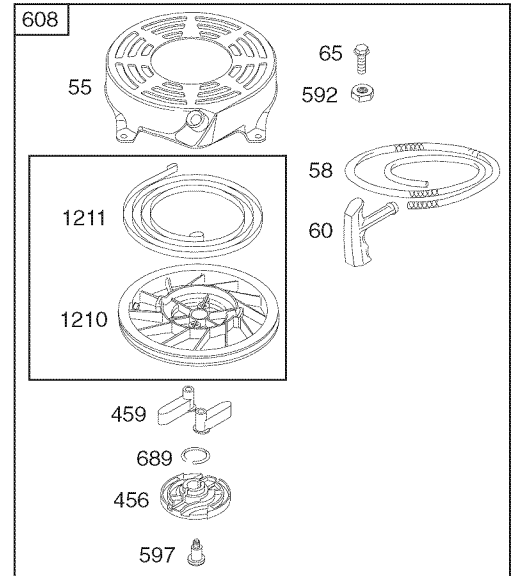
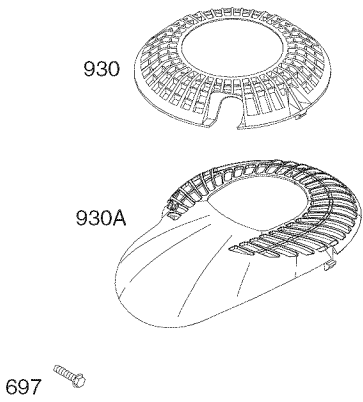
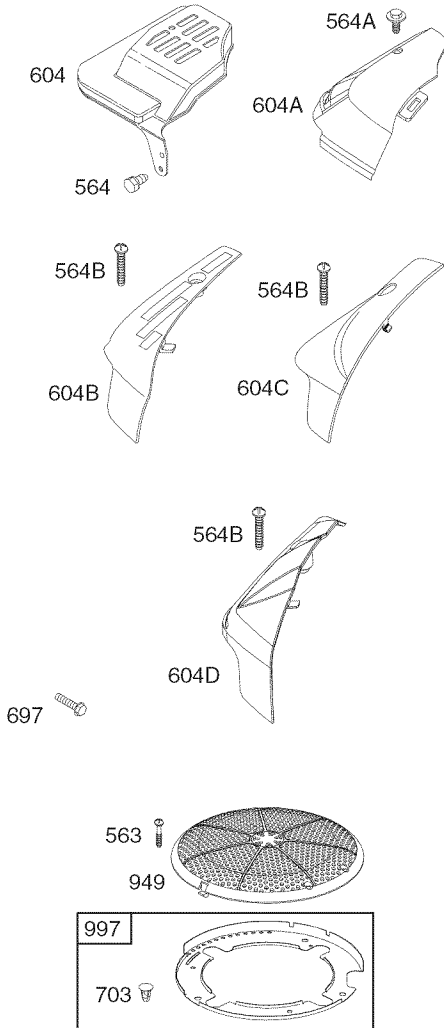
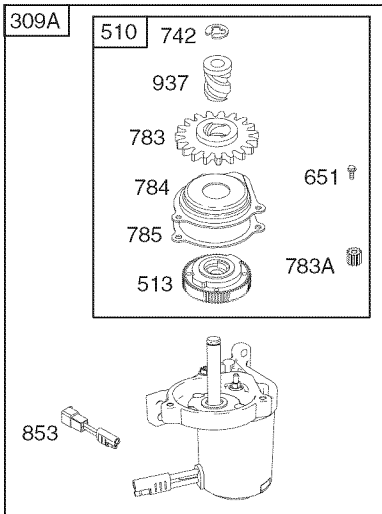
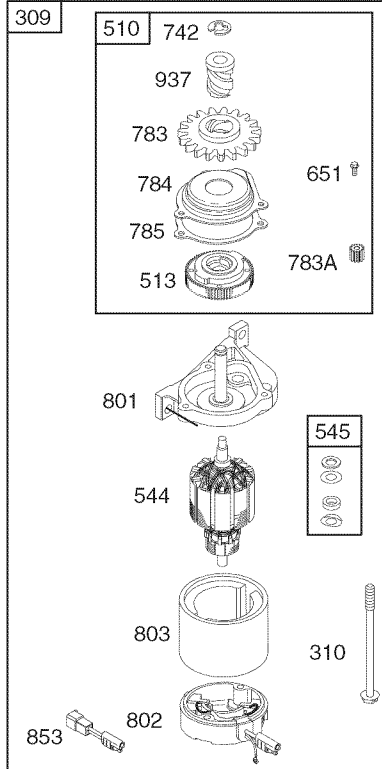
Briggs & Stratton Engine Model 126T02 For Craftsman Log Splitter Model 247.77640



1036 EMISSIONS LABEL

PARTS LIST

Briggs & Stratton Engine Model 126T02 For Craftsman Log Splitter Model 247.77640



1036 EMISSIONS LABEL

PARTS LIST

Briggs & Stratton Engine Model 126T02 For Craftsman Log Splitter Model 247.77640

Ref. No.	Part No.	Description
1	BS-697322	Cylinder Assembly
2	BS-399269	Bushing/Seal Kit
3	BS-299819S	Oil Seal
4	BS-493279	Engine Sump
5	BS-691160	Cylinder Head
7	BS-692249	Cylinder Head Gasket
8	BS-695250	Breather Assembly
9	BS-696125	Breather Gasket
10	BS-691125	Screw (Breather Assembly)
11	BS-6917811	Breather Tube
12	BS-692232	Crankcase Gasket
13	BS-690912	Screw (Cylinder Head)
15	BS-691680	Oil Drain Plug
16	BS-691455	Crankshaft
20	BS-399781S	Oil Seal
22	BS-691092	Screw
23A	BS-691992	Flywheel
24	BS-222698S	Flywheel Key
25	BS-797302	Piston Assembly
26	BS-797304	Ring Set
27	BS-691588	Piston Pin Lock
28	BS_298909	Piston Pin
29	BS-797306	Connecting Rod
32	BS-691664	Screw
32A	BS-695759	Screw
33	BS-262651S	Exhaust Valve
34	BS-262652S	Intake Valve
35	BS-691270	Valve Spring (Intake)
36	BS-691270	Valve Spring (Exhaust)
37	BS-694086	Flywheel Guard
40	BS-692194	Valve Retainer
43	BS-691997	Governor/Oil Slinger
45	BS-690548	Valve Tappet
46	BS-691449	Camshaft
50A	BS-794305	Intake Manifold
51	BS-272199S	Intake Gasket
51A	BS-794306	Intake Gasket
54	BS-691650	Screw (Intake Manifold)
55	BS-691421	Rewind Starter Housing
58	BS-697316	Starter Rope
60	BS-281434S	Starter Rope Grip

Ref. No.	Part No.	Description
65	BS-690837	Screw (Rewind Starter)
78	BS-691108	Screw (Flywheel Guard)
81	BS-691740	Muffler Screw Lock
95	BS-691636	Screw (Throttle Valve)
97	BS-493267	Throttle Shaft
98A	BS-493280	Idle Speed Kit
104	BS-691242	Float Hinge Pin
108	BS-691182	Choke Valve
108A	BS-795935	Choke Valve
109	BS-494218	Choke Shaft
109A	BS-498593	Choke Shaft
109B	BS-795936	Choke Shaft
117	BS-498978	Main Jet
117A	BS-498981	Main Jet (Standard)
117B	BS-695042	Main Jet (Standard)
118	BS-497466	Main Jet (High Altitude)
118A	BS-497315	Main Jet (High Altitude)
118B	BS-694975	Main Jet (High Altitude)
121	BS-498260	Carburetor Overhaul Kit
125	BS-498170	Carburetor (Primer System)
125A	BS-792253	Carburetor (Choke System)
125B	BS-794304	Carburetor (Autochoke System)
127	BS-694468	Welch Plug
130	BS-696564	Throttle Valve
130A	BS-691203	Throttle Valve
133	BS-398187	Carburetor Float
134	BS-398188	Needle/Seat Kit
137	BS-693981	Float Bowl Gasket
146	BS-690979	Timing Key
163	BS-272653	Air Cleaner Gasket
187	BS-791766	Fuel Line (Cut to Required Length)
187A	BS-791873	Fuel Line (Molded)
188	BS-693399	Screw (Control Bracket)
190	BS-690940	Screw (Fuel Tank)
202	BS-691829	Mechanical Governor Link
209A	BS-790944	Governor Spring
217	BS-690354	Choke Return Spring
222	BS-790143	Control Bracket (Remote/Manual Friction)(Primer)
222A	BS-692021	Control Bracket (Remote, Choke A Matic, Non Compliance)

PARTS LIST

Briggs & Stratton Engine Model 126T02 For Craftsman Log Splitter Model 247.77640

Ref. No.	Part No.	Description
222D	BS-791128	Control Bracket (Fixed Speed)
222E	BS-692982	Control Bracket (Manual Friction, 5 Position Manual Choke)
227	BS-690783	Governor Control Lever
231	BS-691636	Screw (Choke Valve)
236	BS-691826	Lockout Link
265	BS-690798	Casing Clamp
265A	BS-691024	Casing Clamp
265B	BS-692179	Casing Clamp
267	BS-691044	Screw (Casing Clamp)
268	BS-691025	Control Wire Casign (Cut to Required Length)
269	BS-691026	Control Wire (Cut to Required Length)
270	BS-691027	Nut (Control Wire Casing)
271	BS-691028	Control Lever
276	BS-271716	Sealing Washer
287	BS-690940	Screw (Dipstick Tube)
291	BS-790830	Thermostat
300	BS-692038	Muffler
300A	BS-494343S	Muffler
304	BS-493294	Blower Housing
305	BS-691108	Screw (Blower Housing)
306	BS-690450	Cylinder Shield
306A	BS-790836	Cylinder Shield
307	BS-690345	Screw (Cylinder Shield)
309	BS-695550	Starter Motor
310	BS-692327	Bolt (Starter Motor)
332	BS-690662	Nut (Flywheel)
333	BS-802574	Magneto Armature
333A	BS-793353	Magneto Armature
334	BS-691061	Screw (Magneto Armature)
337	759-3338	Spark Plug
346	BS-690661	Screw (Spark Arrester)
347	BS-691396	Rocker Switch
356	BS-692390	Stop Wire
356B	BS-693010	Stop Wire
356D	BS-496381	Stop Wire
356G	BS-695283	Stop Wire
356H	BS-690791	Stop Wire
356J	BS-691423	Stop Wire

Ref. No.	Part No.	Description
358	BS-794307	Engine Gasket Set
363	BS-19069	Flywheel Puller
365	BS-691688	Screw (Carburetor)
383	BS-89838S	Spark Plug Wrench
404	BS-690272	Washer (Governor Crank)
425A	BS-690670	Screw (Air Cleaner Cover)
443A	BS-692523	Screw (Air Cleaner Primer Base)
445A	BS-491588S	Air Cleaner Filter Cartridge
455	BS-791960	Flywheel Cup
456	BS-692299	Pawl Friction Plate
459	BS-281505S	Ratchet Plate
474	BS-691991	Alternator
497	BS-690664	Screw (Stop Switch Bracket)
500	BS-691086	Washer (Key Switch)
505	BS-691251	Nut (Governor Control Lever)
510	BS-795093	Starter Drive
513	BS-692358	Drive Clutch
523	BS-499621	Dipstick
524	BS-692296	Dipstick Tube Seal
525	BS-495265	Dipstick Tube
529	BS-691923	Grommet
544	BS-690786	Starter Armature
545	BS-492919	Washer Set
562	BS-92613	Bolt (Governor Control Lever)
563	BS-691138	Screw (Debris Guard Screen)
564	BS-690664	Screw (Control Cover)
564A	BS-691142	Screw (Control Cover)
564B	BS-698589	Screw (Control Cover)
578	BS-398153	Assembly Wire
578A	BS-696031	Assembly Wire
584	BS-697734	Breather Passage Cover
585	BS-691879	Breather Passage Gasket
592	BS-690800	Nut (Rewind Starter)
597	BS-691696	Screw (Pawl Friction Plate)
601	BS-791850	Hose Clamp
601A	BS-691038	Hose Clamp
604	BS-691757	Control Cover
604A	BS-691344	Control Cover
604B	BS-790703	Control Cover
604C	BS-792418	Control Cover
604D	BS-793770	Control Cover

PARTS LIST

Briggs & Stratton Engine Model 126T02 For Craftsman Log Splitter Model 247.77640

Ref. No.	Part No.	Description
608	BS-497680	Rewind Starter
613	BS-691340	Screw (Muffler)
613A	BS-691653	Screw (Muffler)
615	BS-690340	Governor Shaft Retainer
616	BS-698801	Governor Crank
617	BS-270344	O-Ring Seal (Intake Manifold)
621	BS-692310	Stop Switch
627	BS-792565	Stop Switch Bracket
627A	BS-793211	Stop Switch Bracket
633	BS-691321	Choke/Throttle Shaft Seal
633A	BS-693867	Choke/Throttle Shaft Seal
635	BS-66538S	Spark Plug Boot
635A	BS-793351	Spark Plug Boot
651	BS-691660	Screw (Starter Gear Cover)
664	BS-691087	Nut (Key Switch)
668	BS-493823	Spacer
670	BS-692294	Fuel Tank Spacer
676	BS-396548	Muffler Deflector
676A	BS-393756	Muffler Deflector
676C	BS-493871	Muffler Deflector
676D	BS-497682	Muffler Deflector
676E	BS-393760	Muffler Deflector
677	BS-690661	Screw (Muffler Deflector)
684	BS-690345	Screw (Breather Passage Cover)
689	BS-691855	Friction Spring
692	BS-690572	Detent Spring
697	BS-691127	Screw (Drive Cap)
703	BS-696309	Clip
718	BS-690959	Locating Pin
741	BS-795755	Timing Gear
742	BS-93941	E-Ring Retainer
745	BS-691648	Screw (Brake)
783	BS-691918	Pinion Gear
783A	BS-691269	Pinion Gear
784	BS-795095	Starter Gear Cover
785	BS-692352	Starter Cover Gasket
789B	BS-792685	Wiring Harness
789C	BS-796385	Wiring Harness
789D	BS-796574	Wiring Harness
801	BS-690782	Drive Cap
802	BS-695267	End Cap

Ref. No.	Part No.	Description
803	BS-695266	Starter Housing
832	BS-499034	Muffler Guard
832A	BS-691424	Muffler Guard
832B	BS-497683	Muffler Guard
832E	BS-793568	Muffler Guard
836	BS-690664	Screw (Muffler Guard)
836B	BS-691147	Screw (Muffler Guard)
836C	BS-790745	Screw (Muffler Guard)
842	BS-691031	O-Ring Seal (Dipstick Tube)
843	BS-691884	Lever Sleeve (Speed Control)
843A	BS-691895	Lever Sleeve (Choke)
847	BS-692047	Dipstick/Tube Assembly
851	BS-493880S	Spark Plug Terminal
851A	BS-692424	Spark Plug Terminal
853	BS-695268	Wire Adapter
868	BS-697338	Valve Seal
869	BS-691155	Valve Seal (Intake)
870	BS-690380	Valve Seal (Exhaust)
871	BS-262001	Valve Guide Bushing (Exhaust)
883	BS-691881	Exhaust Gasket
892	BS-690646	Key Switch
910	BS-691094	Stud (Alternator)
921A	BS-695886	Blower Housing Cover
921B	BS-692931	Blower Housing Cover
921C	BS-695889	Blower Housing Cover
921E	BS-696262	Blower Housing Cover
921F	BS-697343	Blower Housing Cover
921G	BS-790701	Blower Housing Cover
921H	BS-790037	Blower Housing Cover
921J	BS-790036	Blower Housing Cover
921K	BS-699984	Blower Housing Cover
921L	BS-791026	Blower Housing Cover
921M	BS-792652	Blower Housing Cover
921N	BS-792675	Blower Housing Cover
921P	BS-792687	Blower Housing Cover
921R	BS-793771	Blower Housing Cover
921U	BS-794355	Blower Housing Cover
921W	BS-796921	Blower Housing Cover
921X	BS-796706	Blower Housing Cover
922	BS-691831	Brake Spring
922A	BS-692135	Brake Spring

PARTS LIST

Briggs & Stratton Engine Model 126T02 For Craftsman Log Splitter Model 247.77640

Ref. No.	Part No.	Description
923	BS-691994	Brake
923A	BS-695891	Brake
923	BS-691994	Brake
923A	BS-695891	Brake
923B	BS-796136	Brake
925	BS-795403	Linkage Cover
930	BS-691919	Rewind Guard
930A	BS-691345	Rewind Guard
935	BS-499421	Interlock Switch
937	BS-691325	Starter Spline
946	BS-691738	Rope Stop
949	BS-696306	Debris Screen Guard
957B	BS-699985	Fuel Tank Cap
958	BS-698183	Fuel Shut Off Valve
966B	BS-792040	Air Cleaner Primer Base
967A	BS-493537S	Pre-Cleaner Filter
968B	BS-692298	Air Cleaner Cover
969	BS-690700	Screw (Blower Housing Cover)
969A	BS-691138	Screw (Blower Housing Cover)
970	BS-691669	Screw (Air Cleaner Primer Bracket)
972B	BS-699374	Fuel Tank
975	BS-493640	Float Bowl

Ref. No.	Part No.	Description
976	BS-694395	Carburetor Primer
977	BS-498261	Carburetor Gasket Set
990	BS-691959	Key Set
994	BS-398067	Spark Arrestor
994B	BS-792245	Spark Arrestor
997	BS-696310	Debris Shield
1005	BS-691346	Flywheel Fan
1019	BS-694881	Label Kit
1036	—	Emissions Lable
1058	BS-277039	Operator's Manual
1059	BS-692311	Screw/Washer Kit
1095	BS-498528	Valve Gasket Set
1119	BS-692979	Screw (Alternator)
1160	BS-690345	Screw (Interlock Switch)
1210	BS-498144	Pulley/Spring Assembly (Pulley)
1211	BS-498144	Pulley/Spring Assembly (Spring)
1319	BS-794467	Warning Label
1330	BS-270962	Repair Manual
1386	BS-790848	Air Vane (Autochoke System)
1387	BS-790849	Air Vane Spring
1388	BS-790850	Screw (Air Vane)

PARTS LIST

Craftsman Log Splitter Model 247.77641

777S32061



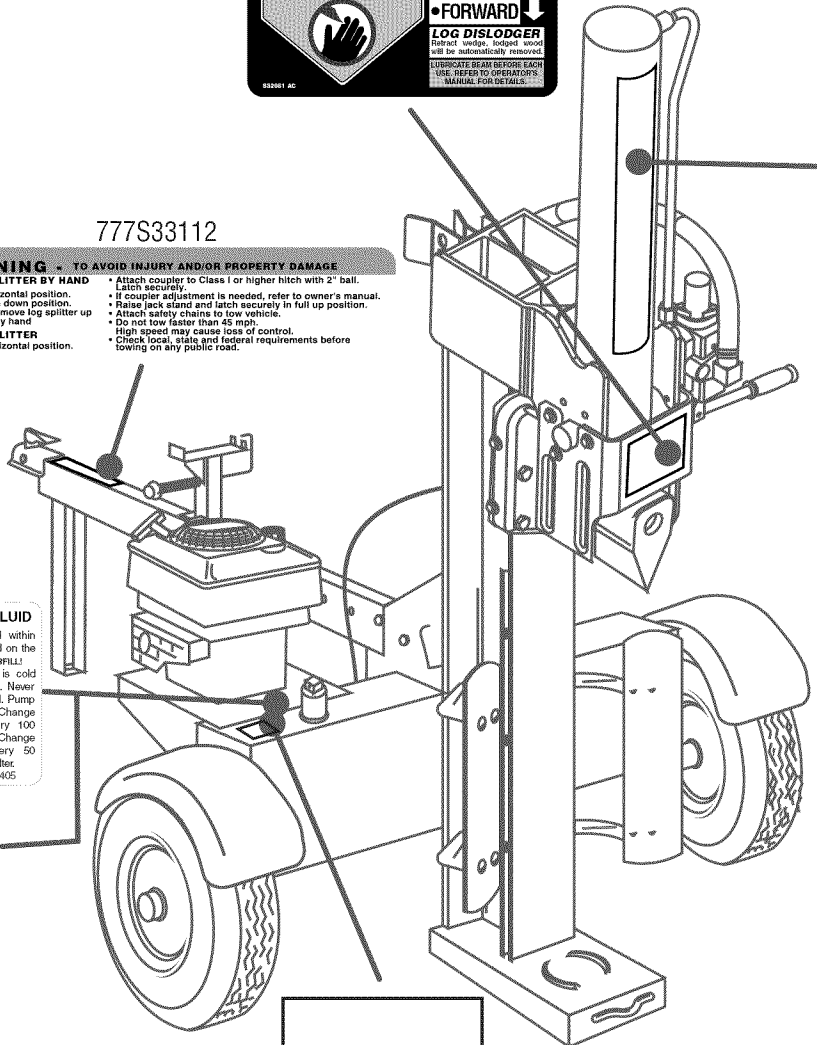
777D12600



27 TON
LOG SPLITTER
VERTICAL/HORIZONTAL

777S33112

- WARNING - TO AVOID INJURY AND/OR PROPERTY DAMAGE**
- MOVING LOG SPLITTER BY HAND**
- Lock beam in horizontal position.
 - Lock jack stand in down position.
 - Do not attempt to move log splitter up or down a slope by hand.
- TOWING LOG SPLITTER**
- Lock beam in horizontal position.
 - Attach coupler to Class I or higher hitch with 2" ball. Latch securely.
 - If coupler adjustment is needed, refer to owner's manual.
 - Raise jack stand and latch securely in full up position.
 - Attach safety chains to tow vehicle.
 - Do not tow faster than 45 mph.
 - High speed may cause loss of control.
 - Check local, state and federal requirements before towing on any public road.

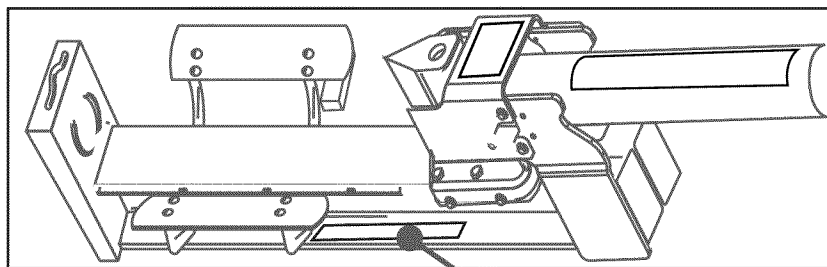


777123022

HYDRAULIC FLUID

Maintain fluid level within the ranges specified on the dipstick. **DO NOT OVERFILL!** Check when fluid is cold and with unit level. Never run below this level. Pump will be ruined. Change hydraulic fluid every 100 hours of use. Change hydraulic filter every 50 hours of use. Use only a 10 micron hydraulic filter. Order Part Number Hydraulic Filter 723-0405

777X43902



777S32605

<p>VERTICAL Vertical Position Lock</p>	<p>HORIZONTAL Horizontal Position Lock</p>	<p>OPERATOR'S INSTRUCTIONS</p> <ol style="list-style-type: none"> 1. Place log splitter in desired position. 2. Lock in either the horizontal or vertical position. 3. Set the wedge depth at desired level. 4. Place the log against the wedge. 5. Only move the wedge up or down as far as the log will allow. Do not force the log. 6. Only use small sticks to fill log gaps between the log. 7. Make the control handle in its up/down direction. 8. Release the control handle to stop the wedge movement. 	<p>⚠ DANGER</p> <ol style="list-style-type: none"> 1. Read operator manual. 2. Never touch any moving parts while the unit is running. 3. Never touch the wedge or control handle while the unit is running. 4. Never touch the log while the unit is running. 5. Never touch the log while the unit is running. 6. Never touch the log while the unit is running. 7. Never touch the log while the unit is running. 8. Never touch the log while the unit is running.
---	---	---	---

REPAIR PROTECTION AGREEMENT

Congratulations on making a smart purchase. Your new Craftsman® product is designed and manufactured for years of dependable operation. But like all products, it may require repair from time to time. That's when having a Repair Protection Agreement can save you money and aggravation.

Here's what the Repair Protection Agreement* includes:

- **Expert service** by our 10,000 professional repair specialists
- **Unlimited service and no charge** for parts and labor on all covered repairs
- **Product replacement** up to \$1500 if your covered product can't be fixed
- **Discount of 10%** from regular price of service and related installed parts not covered by the agreement; also, 10% off regular price of preventive maintenance check
- **Fast help by phone** – we call it Rapid Resolution – phone support from a Sears representative. Think of us as a “talking owner's manual.”

Once you purchase the Agreement, a simple phone call is all that it takes for you to schedule service. You can call anytime day or night, or schedule a service appointment online.

The Repair Protection Agreement is a risk-free purchase. If you cancel for any reason during the product warranty period, we will provide a full refund. Or, a prorated refund anytime after the product warranty period expires. Purchase your Repair Protection Agreement today!

Some limitations and exclusions apply. For prices and additional information in the U.S.A. call 1-800-827-6655.

***Coverage in Canada varies on some items. For full details call Sears Canada at 1-800-361-6665.**

Sears Installation Service

For Sears professional installation of home appliances, garage door openers, water heaters, and other major home items, in the U.S.A. or Canada call **1-800-4-MY-HOME®**.

INDICE

Garantía.....Página 37	Almacenamiento.....Página 53
Instrucciones De Seguridad.....Página 38-41	Solución De Problemas.....Página 54-55
Ensamble.....Página 42-44	Acuerdo De Protección Para ReparacionesPágina 59
Funcionamiento.....Página 45-48	Número de servicio.....Cubierta posterior
Servicio y ajustes.....Página 49	
Mantenimiento.....Página 50-52	

GARANTIA

CRAFTSMAN COMPLETA GARANTIA

Cuando son operados y mantenidos de acuerdo con las instrucciones suministradas en su totalidad, si este registro Craftsman bifurcador falla debido a un defecto de material o mano de obra dentro de un año a partir de la fecha de compra, llame al 1-800-4-MY-HOME ® libre que disponga la reparación (si la reparación o la sustitución resulte imposible).

Esta garantía se aplica sólo para 90 días a partir de la fecha de compra si este registro separador es utilizado para propósitos comerciales o de alquiler.

Esta garantía sólo cubre defectos de material y mano de obra. Sears no pagará por:

- Los elementos que se desgastan durante el uso normal, incluyendo pero no limitado a la bujía, depurador de aire, cinturones, y filtro de aceite.
- Norma de servicios de mantenimiento, cambios de aceite, o afinación
- Cambio de neumáticos de sustitución o reparación de pinchazos causados por objetos externos, tales como clavos, espinas, tocones, o de vidrio.
- De neumáticos o ruedas de reemplazo o la reparación como consecuencia de desgaste normal, accidente, o de la mala operación o mantenimiento.
- Reparaciones que sean necesarias a causa de los abusos del operador, incluyendo pero no limitado a los daños causados por el exceso de velocidad del motor, o de objetos que impactan doblar el marco, el eje sinfín, etc.
- Reparaciones que sean necesarias a causa de la negligencia del operador, incluyendo pero no limitado a, productos eléctricos y mecánicos de los daños causados por almacenamiento inadecuado, falta de utilización de la categoría apropiada y la cantidad de aceite de motor, o el fracaso para mantener el equipo de acuerdo con las instrucciones contenidas en el manual del operador.
- Motor (sistema de combustible), la limpieza o reparaciones causadas por los combustibles decidida a ser contaminados o oxidado (rancio). En general, el combustible debe ser utilizado dentro de los 30 días siguientes a su fecha de compra.
- Normal desgaste y deterioro de los acabados exteriores, o la etiqueta del producto de reemplazo.

Esta garantía sólo se aplica mientras que este producto está dentro de los Estados Unidos.

Esta garantía le otorga derechos legales específicos, y usted también puede tener otros derechos que varían de estado a estado.

Sears, Roebuck and Co., Hoffman Estates, IL 60179

ESPECIFICACION DEL PRODUCTO

Serie de motor	126T02
Tipo del aceite de motor	SAE 30
Cap. de aceite del motor	20 Onzas
Capacidad de combustible	1.5 Cuartos
Bujía (separación de .030")	Champion RJ-19LM
Líquido hidráulico	Dexron III / 3.0 gal

Número de modelo.....
Número de serie.....
Fecha de compra.....
Para referencia futura registrar el número de serie y la fecha de compra y guardar en un lugar seguro.

INSTRUCCIONES DE SEGURIDAD

⚠️ ADVERTENCIA



La presencia de este símbolo indica que se trata de instrucciones importantes de seguridad que se deben respetar para evitar poner en peligro su seguridad personal y/o material y la de otras personas. Lea y siga todas las instrucciones de este manual antes de poner en funcionamiento esta máquina. Si no respeta estas instrucciones podría provocar lesiones personales. Cuando vea este símbolo, ¡preste atención a la advertencia!

⚠️ ADVERTENCIA

PROPOSICIÓN 65 DE CALIFORNIA

El escape del motor de este producto, algunos de sus componentes y algunos componentes del vehículo contienen o liberan sustancias químicas que el estado de California considera que pueden producir cáncer, defectos de nacimiento u otros problemas reproductivos.

⚠️ PELIGRO

Esta máquina fue construida para ser operada de acuerdo con las reglas de seguridad contenidas en este manual. Al igual que con cualquier tipo de equipo motorizado, un descuido o error por parte del operador puede producir lesiones graves. Esta máquina es capaz de amputar manos y pies y de arrojar objetos con gran fuerza. De no respetar las instrucciones de seguridad siguientes se pueden producir lesiones graves o la muerte.

⚠️ ADVERTENCIA

Su responsabilidad—Restrinja el uso de esta máquina motorizada a las personas que lean, comprendan y respeten las advertencias e instrucciones que aparecen en este manual y en la máquina.

GUARDE ESTAS INSTRUCCIONES

Capacitación

1. Lea, entienda y cumpla todas las instrucciones incluidas en la máquina y en el(los) manual(es) antes de intentar realizar el montaje de la unidad y utilizarla. Guarde este manual en un lugar seguro para consultas futuras y periódicas, así como para solicitar repuestos.
2. Lea el Manual del Operador y siga todas las advertencias e instrucciones de seguridad. El fracaso de hacer así puede causar la herida seria al operador y/o personas presentes. Para llamada de preguntas, 1-800-4-MY-HOME.
3. Familiarícese con todos los controles y con el uso adecuado de los mismos. Sepa cómo detener la máquina y desactivar los controles rápidamente.
4. No permita nunca que los niños menores de 16 años utilicen esta máquina. Los niños de 16 años en adelante deben leer y entender las instrucciones de operación y normas de seguridad contenidas en este manual y en la máquina y deben ser entrenados y supervisados por un adulto.
5. Nunca permita que los adultos operen esta máquina sin recibir antes la instrucción apropiada.
6. Muchos accidentes ocurren cuando más de una persona hace funcionar la máquina. Si un peón lo está ayudando a cargar los troncos, nunca active el control hasta que el peón se encuentre por lo menos a 10 pies de distancia de la máquina.
7. Mantenga a los transeúntes, ayudantes, mascotas y niños al menos a 20 pies de la máquina mientras está en funcionamiento.
8. Nunca permita que ninguna persona se desplace en la máquina.
9. Nunca traslade cargas en esta máquina.
10. Las máquinas rompetroncos hidráulicas desarrollan altas presiones de fluido durante el funcionamiento. Si sale fluido a través de la abertura de un orificio de pasador el mismo puede penetrar en la piel y causarle envenenamiento de la sangre, gangrena o la muerte. Preste atención a las siguientes instrucciones en todo momento:
 - a. No controle las fugas con la mano.
 - b. No opere la máquina si las mangueras, los accesorios o los tubos están deshilachados, enroscados, agrietados o dañados.
 - c. Detenga el motor y libere la presión del sistema hidráulico antes de cambiar o ajustar los accesorios, mangueras, tubos u otros componentes del sistema.
 - d. No ajuste los valores de presión de la bomba o válvula.
10. Las fugas se pueden detectar pasando un cartón o madera sobre el área sospechosa, usando guantes de protección y anteojos de seguridad. Fíjese si el cartón o la madera pierden color.
11. Si es lastimado por un escape de fluido, consulte a un médico de inmediato. Si no se administra tratamiento médico adecuado inmediatamente se puede producir una infección o reacción grave.
12. Mantenga la zona del operador y el área adyacente despejadas, para poder estar parado con firmeza y seguridad.
13. Si la máquina está equipada con un motor de combustión interna y existe la intención de usarla cerca de un terreno agreste cubierto de bosque, arbustos o pasto, el escape de la misma debe estar provisto de un amortiguador de chispas. Asegúrese de respetar todos los códigos locales, estatales y federales aplicables. Lleve el equipamiento adecuado para combatir incendios.
14. Esta máquina se debe utilizar únicamente para cortar madera; no la use con ningún otro propósito.
15. Siga las instrucciones del(de los) manual(es) entregado(s) con cualquier accesorio de esta máquina.

INSTRUCCIONES DE SEGURIDAD

Preparativos

1. Siempre use zapatos de seguridad o botas reforzadas.
2. Siempre use anteojos o antiparras de seguridad cuando hace funcionar esta máquina.
3. No use nunca joyas ni vestimenta floja que pudiere quedar atrapada en las partes móviles o giratorias de la máquina.
4. Asegúrese de que la máquina se encuentre en una superficie nivelada antes de ponerla en funcionamiento.
5. Siempre bloquee las ruedas para evitar que se mueva accidentalmente y trabe la vigueta ya sea en posición horizontal o vertical.
6. Siempre opere la máquina desde la(s) zona(s) del operador que se especifican en el manual.
7. Antes de cortar los troncos con esta máquina se les deben cortar los extremos en escuadra.
8. Use la máquina rompetroncos a la luz del día o con buena luz artificial.

Manejo seguro de la gasolina

Para evitar lesiones personales o daños materiales sea sumamente cuidadoso al manipular la gasolina. La gasolina es sumamente inflamable y sus vapores pueden causar explosiones. Si se derrama gasolina encima o sobre la ropa se puede lesionar gravemente ya que se puede incendiar. Lávese la piel y cámbiese de ropa de inmediato.

- a. Utilice sólo los recipientes para gasolina autorizados.
- b. Apague todos los cigarrillos, cigarros, pipas y otras fuentes de ignición.
- c. Nunca cargue combustible en la máquina en un espacio cerrado.
- d. Nunca saque la tapa del combustible ni agregue combustible mientras el motor está caliente o en marcha.
- e. Deje que el motor se enfríe por lo menos dos minutos antes de volver a cargar combustible.
- f. Nunca llene en exceso el tanque de combustible. Llene el tanque no más de 1/2 pulgada por debajo de la base del cuello del filtro para dejar espacio para la expansión del combustible.
- g. Vuelva a colocar la tapa de la gasolina y ajústela bien.
- h. Limpie el combustible que se haya derramado sobre el motor y el equipo y mueva la máquina a otra área. Espere cinco minutos antes de encender el motor.
- i. Nunca guarde la máquina o el recipiente de combustible en un espacio cerrado donde haya fuego, chispas o luz piloto, como por ejemplo de calentadores de agua, calefactores de ambientes, hornos, secadores de ropa u otros aparatos a gas.
- j. Deje que la máquina se enfríe por lo menos 5 minutos antes de guardarla.

Funcionamiento

1. Antes de arrancar esta máquina, revise las "Instrucciones de Seguridad". Si no se respetan estas normas se pueden producir lesiones graves tanto al operador como a los observadores.

2. Nunca deje la máquina en funcionamiento sin vigilancia.
3. No utilice la máquina bajo la influencia del alcohol, las drogas o un medicamento.
4. Nunca permita a nadie operar esta máquina sin recibir antes la instrucción apropiada.
5. Siempre opere la máquina con todo el equipamiento de seguridad en su lugar y en condiciones. Asegúrese de que todos los controles se ajusten adecuadamente para una operación segura.
6. Operador de la zona
 - a. Posición de funcionamiento horizontal: Párese detrás del tanque para operar y manejar el control para estabilizar el registro como se muestra en la Figura 1.
 - b. Posición de funcionamiento vertical: Párese en frente de la viga y de registro como se muestra en la Figura 1.

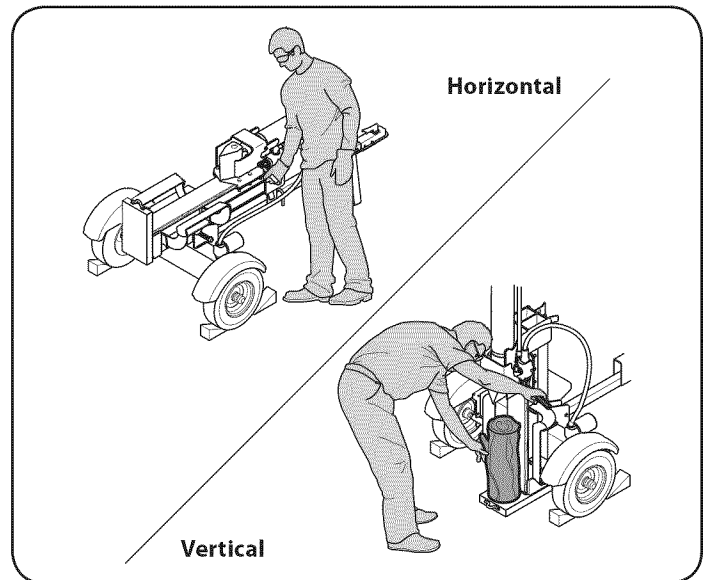


Figure 1

7. No cambie la configuración del regulador del motor ni acelere demasiado el motor. El regulador del motor controla la velocidad máxima de funcionamiento seguro del motor.
8. Cuando cargue un tronco, siempre coloque las manos a los lados del mismo, no en los extremos, y no use nunca el pie para estabilizar un tronco. Si no respeta estas instrucciones, se puede producir el aplastamiento o la amputación de dedos, dedos de los pies, manos o pies.
9. Use únicamente la mano para operar los controles.
10. Nunca intente cortar más de un tronco por vez, a menos que el cabezal se encuentre totalmente extendido y sea necesario un segundo tronco para completar la separación del primero.
11. Para los registros que no son de corte cuadrado, menos el extremo cuadrado y el más largo del registro debe colocarse hacia la viga y la cuña, y el extremo cuadrado colocado hacia el final para asegurar que la placa de registro se mantiene el nivel en su lugar en la placa final.

INSTRUCCIONES DE SEGURIDAD

12. Cuando corte en posición vertical, establezca el tronco antes de mover el control. Corte según se indica a continuación:
 - a. Coloque el tronco en la placa del extremo y gírelo hasta que se incline contra la vigueta y quede estable.
 - b. Cuando corte troncos muy grandes o desperejos, el tronco se debe estabilizar con cuñas de madera o madera cortada entre el tronco y la placa del extremo o el suelo.
12. Mantenga los dedos alejados de cualquier hendidura que se abra en el tronco mientras realiza el cortado. Estas separaciones se pueden cerrar con rapidez y atrapar o amputar dedos.
13. Mantenga limpia el área de trabajo. Retire inmediatamente la madera cortada que quede alrededor de la máquina para no tropezarse con la misma.
14. Nunca mueva la máquina mientras está en funcionamiento.
15. Esta máquina no se debe remolcar en ninguna calle, ruta o camino público sin verificar los requisitos aplicables a los vehículos según las reglamentaciones federales, estatales o locales que se encuentren en vigencia. Cualquier autorización o modificación que se deba realizar, por ejemplo, en relación con luces traseras, etc., es responsabilidad exclusiva del comprador. Si en su estado se exige una "Declaración de Origen", consulte con su distribuidor local.
16. No remolque la máquina por encima de las 45 mph.
17. Vea la sección 'Transporte de la máquina rompetroncos' de este manual para consultar las instrucciones de remolque adecuadas después de haber cumplimentado todos los requisitos federales, locales o estatales.
6. La válvula de descarga de presión viene preconfigurada de fábrica. No la ajuste.
7. No intente nunca mover la máquina en terreno en pendiente o desperejo sin un vehículo de remolque o sin ayuda adecuada.
8. Por su seguridad, cambie todas las piezas dañadas o desgastadas inmediatamente utilizando únicamente equipo del fabricante original ('OEM'). La utilización de piezas que no cumplen con las especificaciones de equipos originales puede tener como resultado un rendimiento inadecuado y puede poner en riesgo la seguridad. Consult the Parts List in this manual for correct replacement parts.
9. No modifique esta máquina de ningún modo; si se realizan modificaciones tales como agregado de una cuerda o alargador a la manija de control, o el aumento del ancho o la altura de la cuña, se pueden producir lesiones personales graves.
10. Según la Comisión de Seguridad de Productos para el Consumidor de los Estados Unidos (CPSC) y la Agencia de Protección Ambiental de los Estados Unidos (EPA), este producto tiene una vida útil media de siete (7) años ó 130 horas de funcionamiento. Al finalizar la vida útil media, adquiera una máquina nueva o haga inspeccionar anualmente esta unidad por un distribuidor de servicio autorizado para cerciorarse de que todos los sistemas mecánicos y de seguridad funcionan correctamente y no tienen excesivo desgaste. Si no lo hace, pueden producirse accidentes, lesiones o la muerte.

Mantenimiento y almacenamiento

ADVERTENCIA

Esta máquina está equipada con un motor de combustión interna y no debe ser utilizada en o cerca de un terreno agreste cubierto por bosque, malezas o hierba excepto si el sistema de escape del motor está equipado con un amortiguador de chispas que cumpla con las leyes locales o estatales correspondientes, en caso de haberlas.

1. Detenga el motor, desconecte la bujía y haga masa contra el motor antes de limpiar o inspeccionar la máquina.
2. Detenga el motor y libere la presión del sistema hidráulico antes de reparar o ajustar los accesorios, mangueras, tubos u otros componentes del sistema.
3. Para evitar incendios, limpie la suciedad y grasa de las áreas del motor y del silenciador. Si el motor está equipado con un silenciador con amortiguador de chispas, límpielo e inspecciónelo regularmente según las instrucciones de los fabricantes. Reemplácelo si está dañado.
4. Periódicamente controle que todas las tuercas y pernos, abrazaderas de mangueras y accesorios hidráulicos estén ajustados, para verificar que el equipo se encuentra en condiciones de trabajo seguras.
5. Controle todos los protectores y escudos de seguridad para verificar que se encuentren en posición adecuada. Nunca opere la máquina si se han retirado los protectores o escudos de seguridad u otros dispositivos de protección.

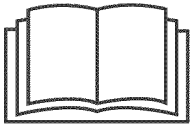

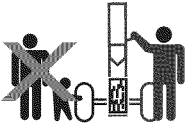




Amortiguador de chispas

Si se utiliza un amortiguador de chispas el operador lo debe mantener en condiciones de uso adecuadas. En el Estado de California las medidas anteriormente mencionadas son exigidas por ley (Artículo 4442 del Código de Recursos Públicos de California). Es posible que existan leyes similares en otros estados. Las leyes federales se aplican en territorios federales. Puede conseguir el amortiguador de chispas para el silenciador a través de su distribuidor de mantenimiento de motores autorizado más cercano o poniéndose en contacto con el departamento de servicios.

INSTRUCCIONES DE SEGURIDAD

Símbolos De Seguridad

Esta página representa y describe los símbolos de seguridad que pueden aparecer en este producto. Léido, entienda, y siga todas las instrucciones en la máquina antes de procurar montar y funcionar.

Símbolo	Descripción
	LEA EL MANUAL(S) DEL OPERADOR leído, entienda, y siga todas las instrucciones en el manual(s) antes de procurar montar y funcionar
	ADVERTENCIA— MACHACAMIENTO DE PELIGRO Mantenga las manos ausentes de la cuña, placa de extremo, parta en parte las piezas de madera y móviles.
	PERSONAS PRESENTES Guarde a las personas presentes, a los ayudantes y a niños por lo menos 10 pies lejos.
	SOLO OPERADOR Solamente una persona debe funcionar la máquina a la vez. El adulto que carga y el registro de los asientos deben ser el quién funciona la manija de control.
	ADVERTENCIA— LÍQUIDO PRESURIZADO Nunca compruebe para saber si hay escapes de la manguera con sus manos. El líquido de alta presión puede escaparse a través de un perno escape del agujero y causar lesión seria pinchando la piel y causando el envenenamiento de sangre.
	PROTECCIÓN DE OJO Use siempre las gafas de seguridad o los anteojos de seguridad al funcionar esta máquina.
	ADVERTENCIA— CUÑA MÓVIL Mantenga las manos ausentes de cuña y de piezas móviles.

ARMADO

NOTA: Su máquina rompetroncos se envía con aceite en el motor. Sin embargo, usted **DEBE** controlar el nivel de aceite antes de hacerlo funcionar. Tenga cuidado de no llenar en exceso.

NOTA: Las referencias que contiene este manual sobre los lados derecho o izquierdo de la máquina rompetroncos se hacen observando la misma desde la posición del operador. Vea Zona del operador en la sección Funcionamiento de las instrucciones de seguridad.

EXTRACCIÓN DE LA MÁQUINA ROMPETRONCOS DE LA CAJA

1. Separe la parte superior, lados y extremos del cajón.
2. Retire los paneles para evitar pinchaduras o lesiones personales.
3. Retire y descarte la bolsa de plástico que cubre la unidad.
4. Quite cualquier parte suelta que se incluya con la máquina rompetroncos (el conjunto de la lengüeta, el manual del operador, etc.).
5. Corte y retire las tiras que sujetan las piezas al fondo del cajón. Destornille las piezas restantes que puedan estar empernadas al fondo del cajón.

⚠ ADVERTENCIA

Tenga mucho cuidado al desembalar esta máquina. Algunos componentes son muy pesados y es necesario que colaboren varias personas o que se use equipo mecánico de manipulación.

PIEZAS SUeltas DENTRO DE LA CAJA

1. Montaje de lengüeta

MONTAJE DE LA LENGÜETA

Colocación del gato

El gato se envía en posición de transporte.

1. Retire la abrazadera de resorte y el pasador de horquilla y haga girar el gato hacia abajo, hasta la posición de funcionamiento.
2. Fije el gato en su lugar con la chaveta de horquilla y la abrazadera de resorte. Vea la Figura 1.

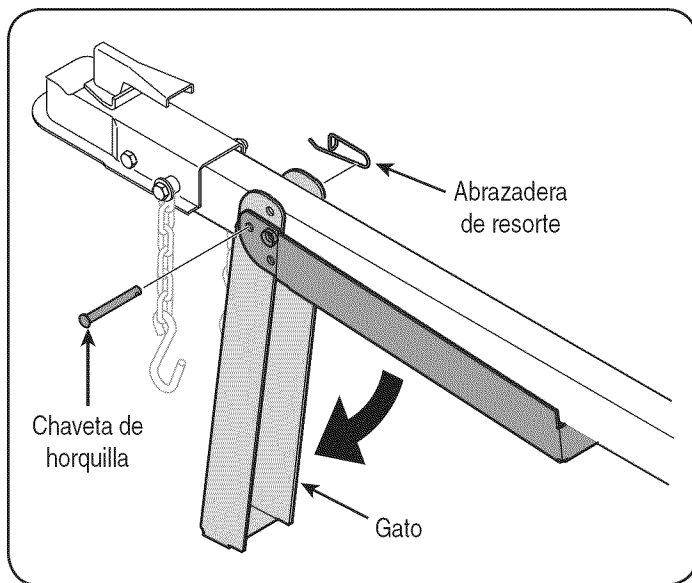


Figura 1

Colocación de la lengüeta

1. Con la máquina rompetroncos fija en posición vertical, retire los dos pernos hexagonales y las tuercas hexagonales del soporte del tanque. Vea la Figura 2.

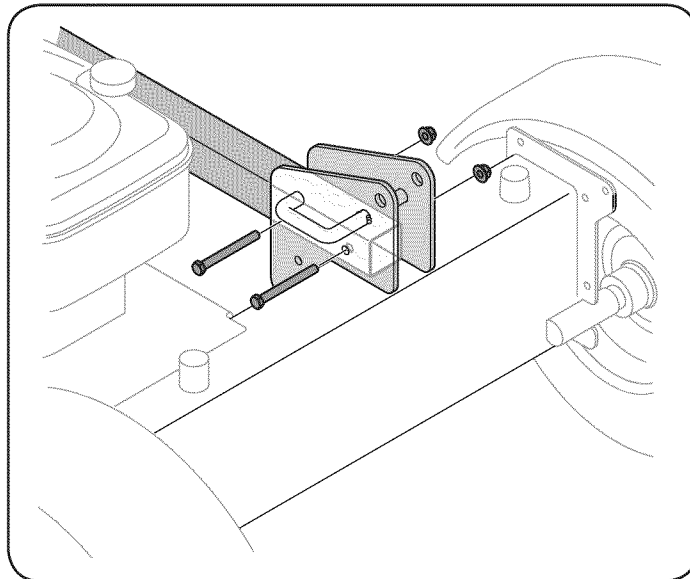


Figura 2

2. Alinee los orificios de la lengüeta con los del soporte del tanque y fíjelos con los herrajes que acaba de extraer. Vea la Figura 2.

NOTA: La manguera de alta presión debe estar por encima del montaje de la lengüeta.

CONEXIÓN DEL CILINDRO A LA VIGUETA

La máquina rompetroncos se envía con la vigueta en posición vertical.

1. Tire hacia afuera el bloqueo de vigueta vertical, rótelo hacia atrás y gire la vigueta a la posición horizontal hasta que quede trabada. Vea la Figura 3.

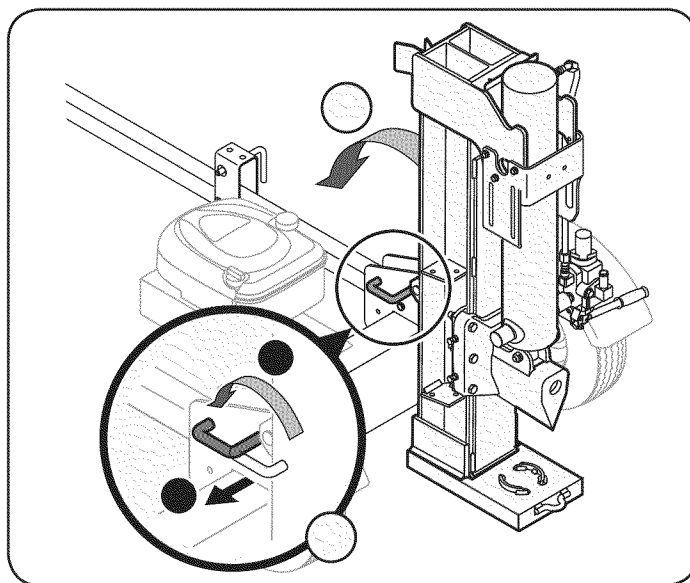


Figura 3

ARMADO

- Desconecte el liberador del soporte soldado de vigueta retirando los seis tornillos hexagonales. Vea la Figura 4.

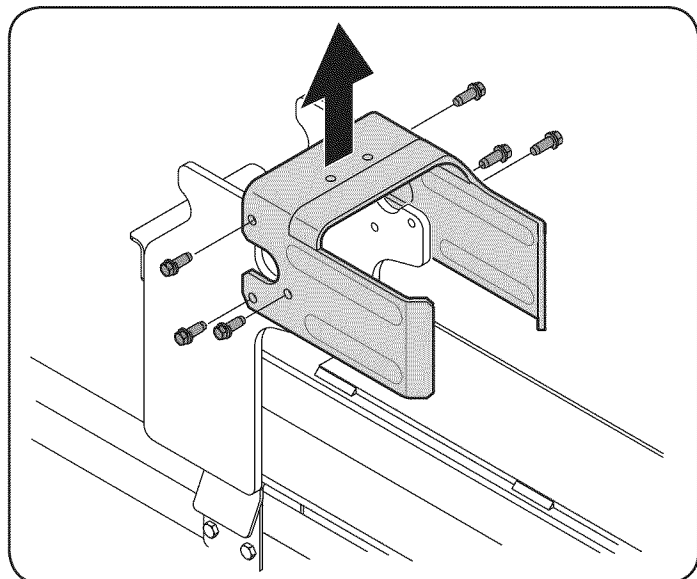


Figura 4

- Desconecte la ménsula del bastidor de troncos del lado de la válvula de control de la vigueta. Vea la Figura 5.

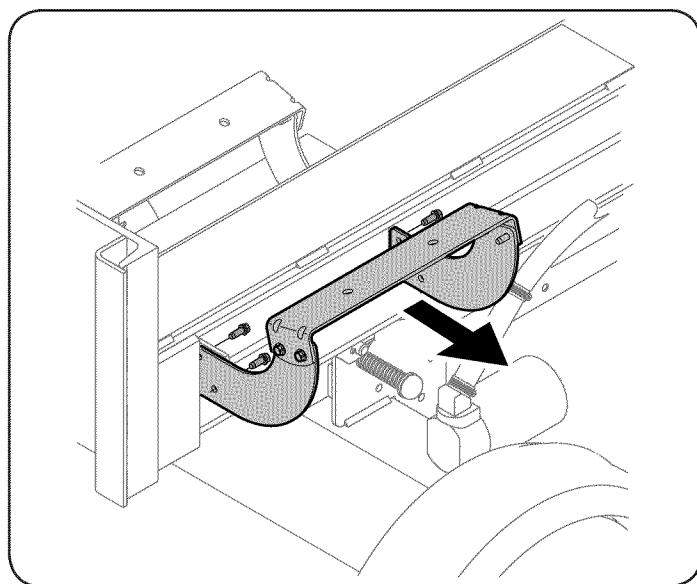


Figura 5

- Levante y deslice el cilindro hacia arriba hasta el tope de la vigueta y dentro de los soportes soldados. Vea la Figura 6.

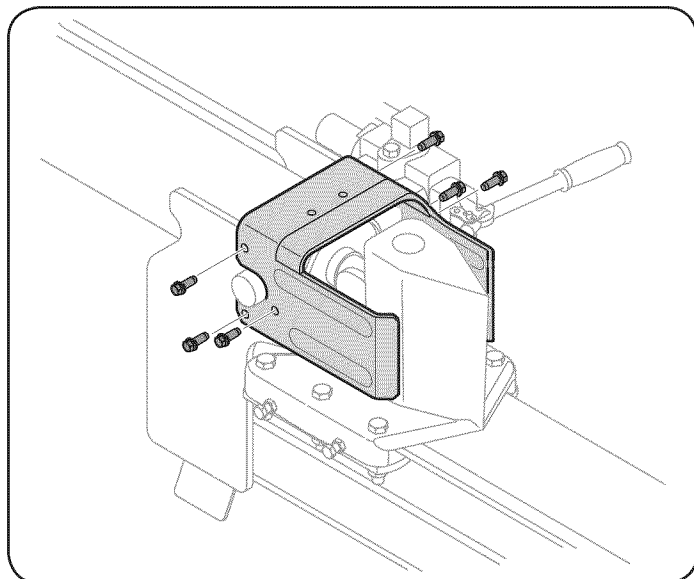


Figura 6

- Coloque el liberador encima del montaje de la cuña y fíjelo en los soportes soldados con los herrajes extraídos previamente. Vea la Figura 6.

NOTA: Una vez apretados los seis tornillos hexagonales, puede haber una pequeña separación entre el liberador y los soportes soldados. Esta separación es normal.

- Vuelva a colocar el bastidor de troncos al costado de la vigueta con la válvula de control, alineando los extremos del bastidor con las bridas de la vigueta.
- Haga rodar la máquina rompetroncos fuera de la parte inferior de la caja.

CONFIGURACIÓN

Llenado de gasolina y aceite

Cargue el motor con gasolina y aceite como se indica a continuación. Lea las instrucciones con atención.

⚠ ADVERTENCIA

Tenga mucho cuidado al trabajar con gasolina. La gasolina es sumamente inflamable y sus vapores pueden causar explosiones. Nunca agregue combustible a la máquina en interiores o mientras el motor está caliente o en funcionamiento.

NOTA: Su máquina rompetroncos se envía con aceite en el motor. Usted DEBE controlar el nivel de aceite antes de hacer funcionar la máquina. Tenga cuidado de no llenar en exceso. Se puede agregar gasolina al motor cuando la máquina rompetroncos se encuentra en posición horizontal o vertical. Sin embargo, hay menos obstrucciones cuando la unidad se encuentra en posición vertical.

Aceite

- Saque la varilla del nivel de aceite.
- Compruebe el nivel de aceite asegurándose que la varilla del nivel de aceite no roce con las paredes interiores del tubo de llenado de aceite. De hacerlo se puede producir una lectura falsa de la varilla del nivel de aceite. Llène hasta la marca FULL (lleno) de la varilla del nivel de aceite, si es necesario. Vuelva a colocar la varilla y ajuste.

ARMADO

3. Si es necesario, con el rompetroncos sobre una superficie nivelada, use un embudo para llenar el motor de aceite hasta la marca FULL de la varilla. Tenga cuidado de no llenar en exceso. El llenado en exceso hace que el motor emane mucho humo y que el rendimiento del mismo no sea bueno.
4. Verifique el nivel del aceite tres veces antes de encender el motor para asegurarse de que la lectura de la varilla es correcta. Si pone el motor en marcha con muy poco aceite le puede causar daño permanente.

Gasolina

1. Saque la tapa del depósito de combustible.
2. Verifique que el recipiente del que va a verter la gasolina esté limpio y libre de óxido o de objetos extraños. No use nunca gasolina que pueda estar vieja por haber estado almacenada en su recipiente por largos períodos. La gasolina que ha estado estacionada por un período superior a cuatro semanas debe considerarse vieja.
3. Llene el tanque de combustible con alrededor de 1,5 cuartos de galón de gasolina limpia y fresca con un mínimo de 85 octanos.

NOTA: Nunca llene en exceso el tanque de combustible. Llene el tanque no más de 1/2 pulgada por debajo de la base del cuello de llenado para dejar espacio para la expansión del combustible.

PREPARACIÓN DE LA MÁQUINA ROMPETRONCOS

1. Lubrique el área de la vigueta (donde se desplazará la cuña de corte) con aceite de motor. No use grasa.
2. Retire la varilla del depósito venteado, que se encuentra en frente del motor, sobre el tanque de depósito. Vea la Figura 6.

NOTA: El rompetroncos viene de fábrica lleno hasta el nivel operativo correcto con fluido hidráulico Shell Tellus® 32. Sin embargo, usted DEBE controlar el nivel de fluido antes de ponerla en funcionamiento. Si no está lleno, realice los siguientes pasos:

⚠ ADVERTENCIA

Gran parte del fluido original ha descendido al cilindro y las mangueras. Asegúrese de volver a llenar el depósito para evitar que se dañe la bomba hidráulica.

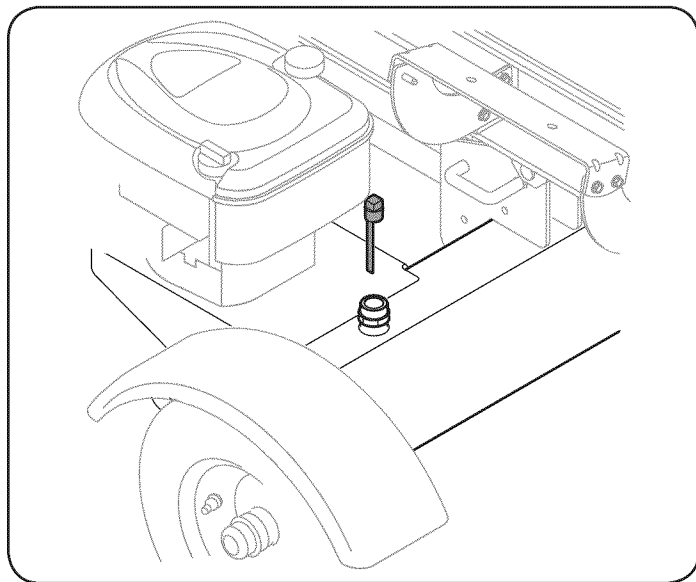


Figura 7

3. Controle el nivel de fluido con la varilla de nivel. Vea la Figura 7. No llene el depósito en exceso.
4. Vuelva a colocar la varilla de nivel venteada y apriétela bien hasta que el tope de las roscas quede al ras del tope del tubo.
5. Desconecte la bujía y cebe la bomba tirando del arrancador de retroceso hasta el máximo. Repita aproximadamente 10 veces.
6. Vuelva a conectar el cable de la bujía y arranque el motor según las instrucciones de la sección Funcionamiento.
7. Use la manija de control para enganchar la cuña en la posición de extensión máxima. Luego retraiga la cuña.
8. Vuelva a llenar el tanque según lo especificado en la varilla de nivel.

NOTA: La falta de llenado del tanque anula la garantía de la unidad.

9. Extienda y retraiga la cuña 12 ciclos completos para eliminar el aire atrapado en el sistema (el sistema es "autopurgante").
10. Vuelva a llenar el depósito dentro del rango que figura en la varilla de nivel.

NOTA: Parte del líquido puede rebasar el tapón de cierre de la tubería de ventilación ya que el sistema genera calor y el líquido se expande y busca un nivel balanceado.

Presión de los neumáticos

La presión de funcionamiento máxima recomendada es 30 psi. Bajo ninguna circunstancia supere la presión en psi recomendada por el fabricante. Mantenga la misma presión en todos los neumáticos.

FUNCIONAMIENTO

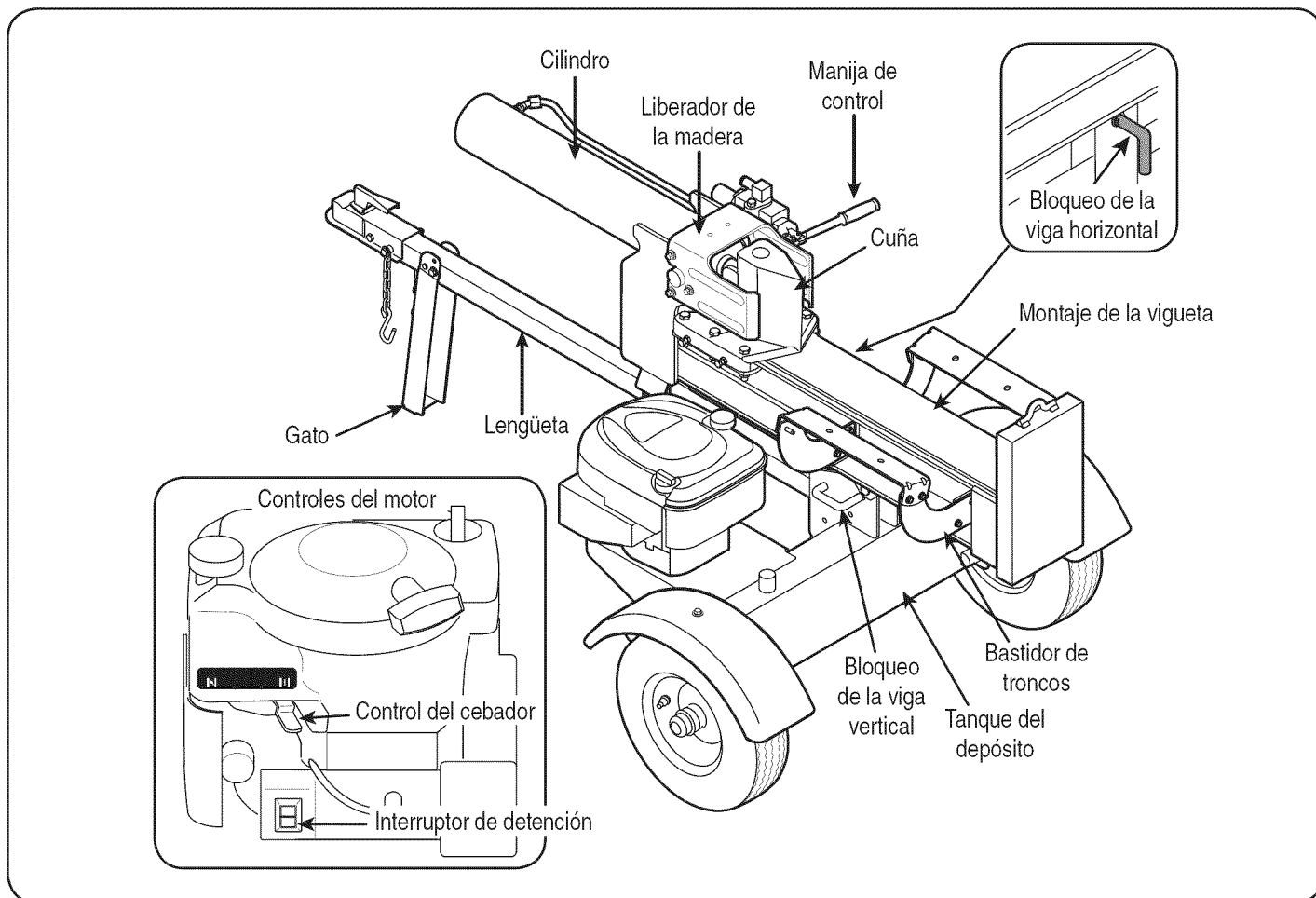


Figura 8

⚠ ADVERTENCIA

Lea este manual del operador y las reglas de seguridad antes de poner en funcionamiento la máquina cortadora de madera. Compare las ilustraciones que aparecen a continuación con su equipo para familiarizarse con la ubicación de los distintos controles y ajustes. Guarde este manual para consultas futuras.

⚠ ADVERTENCIA

Familiarícese con todos los controles y su correcto funcionamiento. Sepa cómo detener la máquina y cómo desconectar los controles rápidamente.

⚠ ADVERTENCIA

Utilice siempre gafas de seguridad para operar el equipo o mientras lo ajusta o lo repara.

BLOQUEOS DE LAS VIGAS

Estas dos trabas, se usan para ajustar la vigueta en posición horizontal o en posición vertical. La traba de la vigueta vertical está ubicada sobre la ménsula de los depósitos. El bloqueo de la vigueta horizontal está ubicado sobre el soporte del sujetador de la vigueta.

CUÑA

La cuña se usa para cortar la madera.

LENGÜETA

La lengüeta se usa para acoplar a un vehículo de remolque para transporte.

MANIJA DE CONTROL

La manija de control se usa para mover la cuña hacia arriba y hacia abajo para cortar madera. La manija de control tiene tres posiciones: adelante, neutral, y marcha atrás. Vea la sección Uso de la máquina romp troncos para obtener instrucciones.

LIBERADOR DE LA MADERA

El liberador de madera está diseñado para sacar de la cuña la madera parcialmente cortada. Esto puede suceder cuando se corta madera de gran diámetro o recientemente cortada.

MANIJA DEL ARRANCADOR

Se utiliza para encender el motor.

CUMPLE CON LOS ESTÁNDARES DE SEGURIDAD DE ANSI

La máquina cortadora de madera de Craftsman cumple con las normas de seguridad del Instituto Nacional Americano de Normalización (ANSI).

FUNCIONAMIENTO

CONTROL DEL CEBADOR

El control del cebador se usa para cebar el carburador y ayudar a que el motor arranque.



INTERRUPTOR DE DETENCIÓN

El interruptor de detención se usa para apagar el motor y se lo debe volver a la posición Encendido para que el motor arranque.



PARA ENCENDER EL MOTOR

1. Conecte el cable de la bujía y la manga de goma a la misma.
2. El tanque de combustible debe llenarse a 3/4 del total antes de arrancar.
3. Empuje el interruptor de detención a la posición Encendido. Vea la Figura 9.

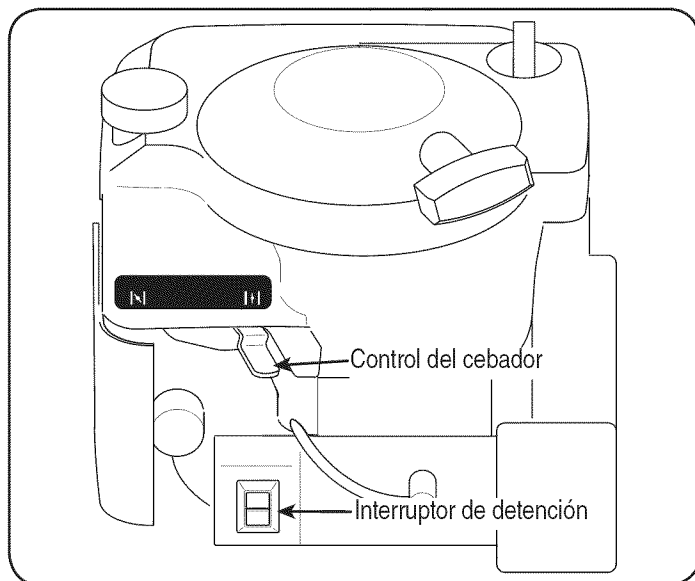


Figura 9

4. Mueva la palanca del cebador a la posición CHOKE . (Si el motor está tibio puede no ser necesario cebarlo). Vea la Figura 9.
5. Parado a la izquierda del rompetruncos mirando hacia el frente del motor, sujete el arrancador y tire de la cuerda hasta que sienta resistencia.
6. Tire de la cuerda con un golpe rápido y continuo de todo el brazo. Apriete bien la manija del arrancador. Deje que la cuerda se enrolle lentamente.
7. Repita, si es necesario, hasta que el motor arranque. Cuando el motor arranque, mueva el control del cebador gradualmente hasta la posición RUN .
8. Si el motor falla, vuelva el control del cebador a la posición CHOKE y repita los pasos 7 a 9.

PARA DETENER EL MOTOR

1. Empuje el interruptor de detención a la posición Apagado. Vea la Figura 9.
2. Desconecte el cable de la bujía y haga masa para evitar que se encienda accidentalmente el equipo al dejarlo sin vigilancia.

USO DE LA MÁQUINA ROMPETRONCOS

1. Coloque la máquina rompetruncos sobre una superficie nivelada y seca.
2. Coloque la vigueta ya sea en posición horizontal o vertical y trábela en su lugar con la varilla de seguridad.
3. Trabe las dos ruedas por delante y por detrás.
4. Coloque el tronco contra la placa del extremo y sólo corte la madera siguiendo la veta (en sentido longitudinal).
5. Para estabilizar el tronco, sólo coloque la mano a los lados del tronco. Nunca coloque la mano en el extremo entre el tronco y la cuña de corte.
6. La manija de control debe ser estabilizada y operada únicamente por un adulto, de modo que el operador tenga el control total del tronco y la cuña de corte.

Manija de control

Consulte la Figura 10 para ver los pasos siguientes.

1. Mueva la manija de control HACIA ADELANTE o HACIA ABAJO para cortar la madera.
2. Suelte la manija de control para detener el movimiento de la cuña.
3. Mueva la manija de control HACIA ATRÁS o HACIA ARRIBA para que regrese la cuña.

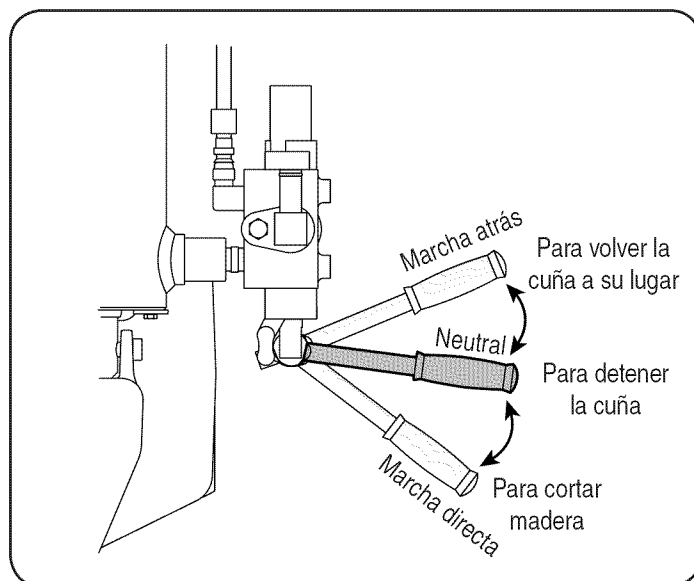


Figura 10

FUNCIONAMIENTO

Liberador de la madera

El liberador de madera está diseñado para sacar de la cuña la madera parcialmente cortada. Esto puede suceder cuando se corta madera de gran diámetro o recientemente cortada.

⚠ ADVERTENCIA

No utilice nunca las manos para sacar de la cuña la madera parcialmente cortada. Los dedos pueden quedar atrapados entre la madera cortada.

1. Para sacar la cuña de un trozo de madera parcialmente cortado, coloque la manija de control en la posición REVERSE. Al moverse hacia atrás, el trozo cortado entrará en contacto con el liberador de madera y se separará de la cuña.
2. Una vez extraída de la cuña mediante el uso del liberador de madera, corte madera desde extremo opuesto o en otra ubicación.

Posición vertical

1. Tire del bloqueo de vigueta horizontal para liberar la vigueta y girar la vigueta a la posición vertical.
2. Para trabar la vigueta en posición vertical, tire del bloqueo de vigueta vertical y gírelo para ajustar la vigueta. Vea la Figura 11.

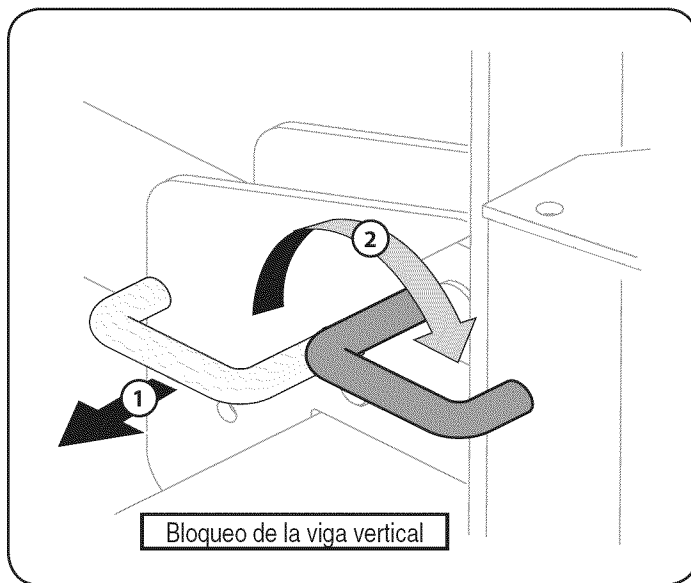


Figura 11

3. Párese delante de la unidad para operar la manija de control y estabilizar el tronco. Vea la Figura 12.

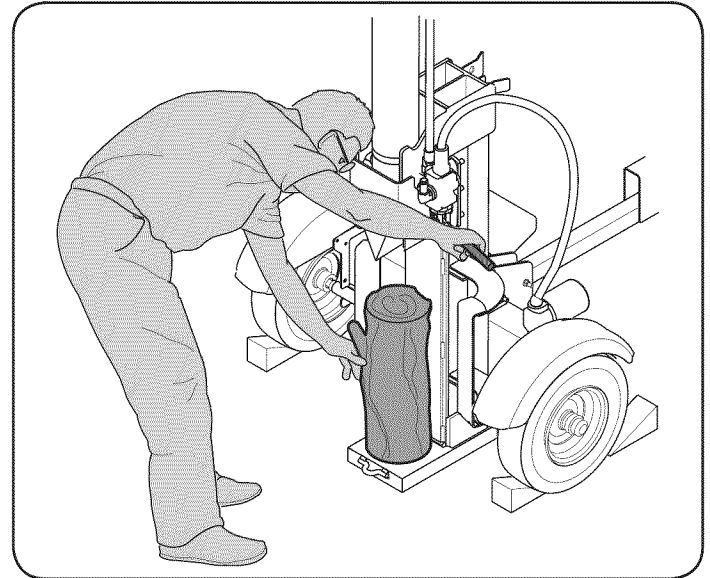


Figura 12

Posición horizontal

1. Tire el bloqueo de vigueta vertical hacia afuera y rótelo hacia abajo. Vea la Figura 13. Gire la vigueta a la posición horizontal. La vigueta se trabaré automáticamente en posición horizontal.

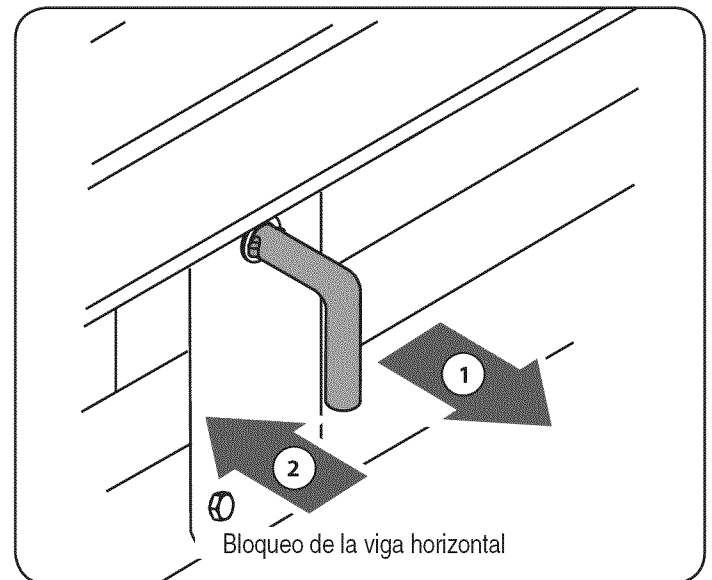


Figura 13

FUNCIONAMIENTO

- Párese detrás del tanque de depósito para operar la manija de control y estabilizar el tronco. Vea la Figura 14.

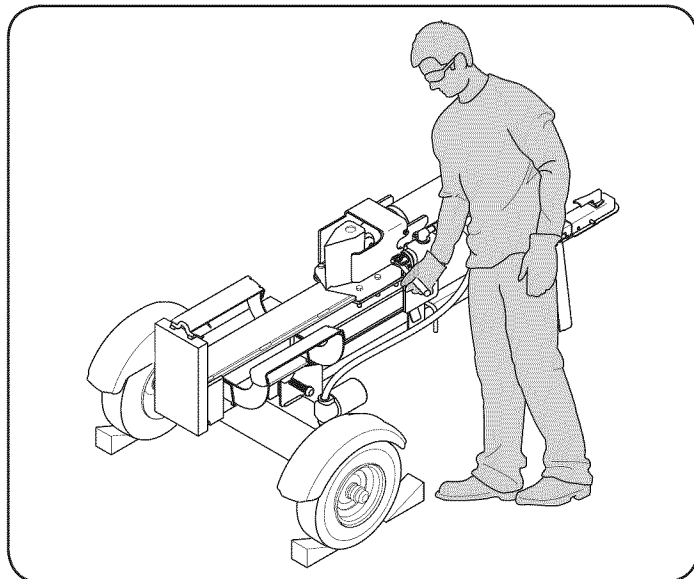


Figura 14

TRANSPORTE DE LA MÁQUINA ROMPETRONCOS

- Baje la vigueta a la posición horizontal. Asegúrese de que la vigueta esté trabada firmemente con el bloqueo de vigueta horizontal.
- Retire la abrazadera de resorte y la chaveta de horquilla del gato.
- Sostenga la lengüeta y gire el gato hacia arriba contra la lengüeta. Vea la Figura 15.

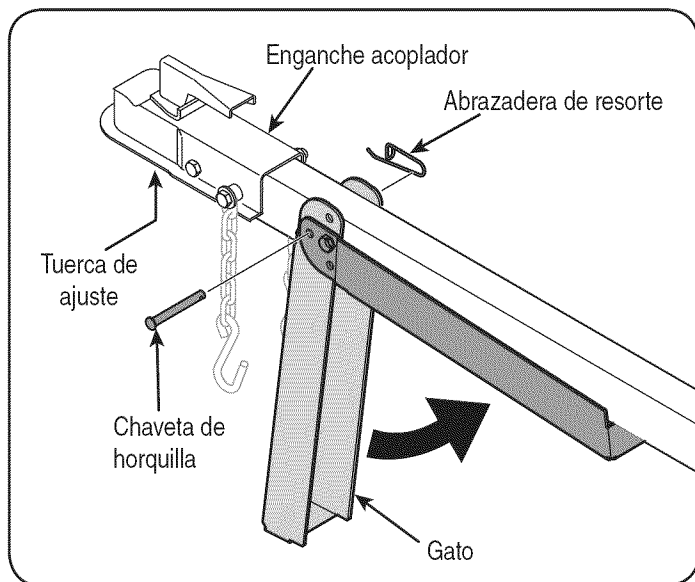


Figura 15

- Asegure el gato con la abrazadera de resorte y la chaveta de horquilla retiradas previamente. Vea la Figura 15.

- Sujete el enganche acoplador a una bola clase I o superior de 2" en un vehículo de remolque. Sujete bien.
 - Si el enganche acoplador no encaja sobre la bola: Gire la tuerca de ajuste ubicada debajo del enganche acoplador una vuelta a la izquierda.
 - Si el enganche acoplador está demasiado flojo sobre la bola: Gire la tuerca de ajuste ubicada debajo del enganche acoplador una vuelta a la derecha.
- Conecte las cadenas de seguridad al vehículo de remolque.
- Conecte las luces traseras, en caso de haber, al conector de luces traseras del vehículo de remolque.

⚠ ADVERTENCIA

No remolque a velocidad superior a 45 millas por hora, y verifique los requisitos locales, estatales y federales antes de realizar el remolque en cualquier ruta pública.

NOTA: Tenga precaución al desplazarse en marcha atrás. Se recomienda usar un observador fuera del vehículo.

CONSEJOS DE OPERACIÓN

Siempre:

- Use líquido limpio y controle el nivel de líquido periódicamente.
- Use un líquido hidráulico aprobado. Entre los fluidos aprobados se encuentran fluido hidráulico Shell Tellus® 32, fluido para transmisiones automáticas Dexron® III / Mercon®, aceite hidráulico Pro-Select™ AW-32 y aceite hidráulico 32 grado de viscosidad 10WAW-ISO.

NOTA: Se recomienda no mezclar fluidos hidráulicos.

- Verifique siempre que el filtro se encuentra en su lugar. Limpie o reemplace el filtro periódicamente.
- Esta unidad está equipada con una tapa con respiradero en el depósito de fluido. No utilice ningún otro tipo de tapa de depósito.
- Asegúrese de que la bomba esté montada y alineada adecuadamente.
- Esta unidad está equipada con un acoplamiento flexible tipo "araña" entre los ejes de accionamiento de la bomba y el motor. No utilice ningún otro tipo de acoplamiento.
- Mantenga las mangueras limpias y destapadas.
- Purgue el aire de las mangueras antes de usarlas.
- Enjuague y limpie el sistema hidráulico antes de volver a arrancar la máquina después del mantenimiento.
- Use "lubricante para caños" en todos los accesorios hidráulicos.
- Deje que el motor se caliente antes de cortar madera.
- Cebe la bomba antes del arranque inicial haciendo girar el motor con la bujía desconectada.
- Corte la madera únicamente siguiendo la veta (en sentido longitudinal).

Nunca:

- Use la máquina cuando el líquido está a temperatura inferior a 20°F o superior a 150°F.
- Use un acoplamiento de motor/bomba sólido.
- Opere a través de la válvula de descarga durante más de 5 segundos. Si la cuña se detiene o llega al final de la carrera, libere la válvula de control o póngala en MARCHA ATRÁS en menos de 5 segundos para evitar la tensión sobre el sistema hidráulico y el motor.
- Intente regular los valores de la válvula de descarga o de seguridad.
- Opere si hay aire en el sistema hidráulico.
- Use cinta de Teflón en los accesorios hidráulicos.
- Intente cortar la madera en sentido transversal a la veta.
- Intente sacar de la cuña con las manos la madera parcialmente cortada. Retraiga totalmente la cuña para liberar la madera con el liberador de madera.

SERVICIO Y AJUSTES

⚠ ADVERTENCIA

Nunca realice ningún ajuste sin antes detener el motor, desconectar el cable de la bujía y hacer masa contra el motor. Utilice siempre anteojos de seguridad durante la operación o mientras realiza ajustes o reparaciones.

AJUSTE DEL MONTAJE DE LA CUÑA

A medida que se produce el desgaste normal y se genera juego excesivo entre la cuña y la vigueta, ajuste los pernos laterales del montaje de la cuña para eliminar el espacio excesivo entre la cuña y la vigueta.

1. Afloje las contratuercas de los dos pernos de ajuste que se encuentran a los costados de la cuña. Vea la Figura 16.

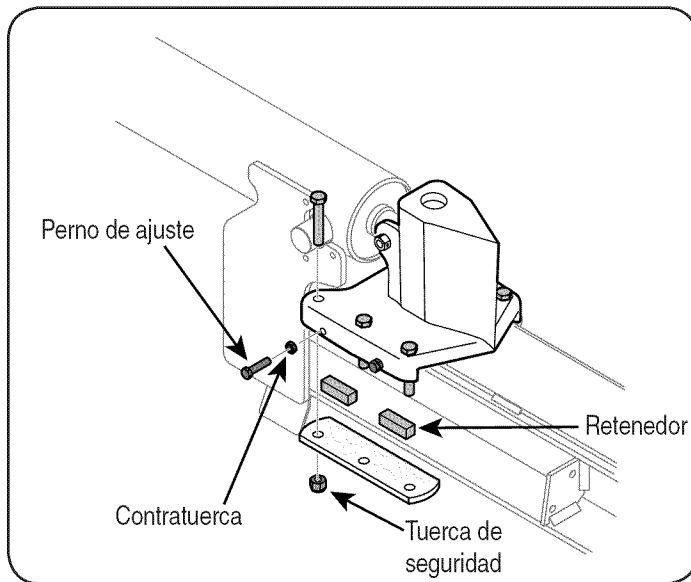


Figura 16

2. Gire los pernos de ajuste hacia adentro hasta que queden ajustados y luego llévelos hacia atrás lentamente (aproximadamente 1,5 giros) hasta que el montaje de la cuña se deslice sobre la vigueta.
3. Vuelva a apretar las contratuercas con firmeza contra el lado de la cuña para fijar los pernos de ajuste en su lugar.

AJUSTE DEL RETENEDOR

Periódicamente retire y cambie los "retenedores" (separadores) entre el montaje de la cuña y el contraplato.

NOTA: Los retenedores se pueden rotar y/o girar para un desgaste parejo.

1. Afloje las tuercas de seguridad que se encuentran debajo de cada contraplato y deslice los retenedores hacia afuera. Vea la Figura 16.
2. Gire o cambie los retenedores.
3. Vuelva a montar el contraplato y ajústelo con las tuercas de seguridad.
4. Vuelva a ajustar los pernos que se encuentran del lado del montaje de la cuña.

ABRAZADERAS DE LA MANGUERA

- Antes de cada uso, verifique que todas las abrazaderas de mangueras están ajustadas.

ACOPLADOR FLEXIBLE DE LA BOMBA

El acoplador flexible de la bomba es una pieza de sujeción "araña" de nylon ubicada entre la bomba y el eje del motor. El acoplador se endurece y deteriora con el transcurso del tiempo. Si detecta vibración o ruido provenientes del área que se encuentra entre el motor y la bomba, comuníquese con un distribuidor de servicio autorizado. Si el acoplador falla completamente, experimentará pérdida de potencia.

NEUMÁTICOS

La presión máxima de los neumáticos es 30 psi. Bajo ninguna circunstancia supere la presión en psi recomendada por el fabricante. Mantenga la misma presión en todos los neumáticos.

⚠ ADVERTENCIA

Ejercer excesiva presión al asentar los rebordes puede hacer que el ensamblado del neumático y la llanta explote con fuerza suficiente como para causar lesiones graves. En la pared lateral del neumático encontrará la presión recomendada.

MANTENIMIENTO

Programa de mantenimiento

TAREAS	Antes de cada uso	Primeras 5 horas	Cada 25 horas	Cada 50 horas	Cada 100 horas	FECHAS DE LOS SERVICIOS
Lubrique la vigueta y la cuña	✓					
Cambie el fluido hidráulico					✓	
Cambie el filtro hidráulico				✓		
Limpie el filtro del depósito					✓	
Controle el fluido del depósito	✓					
Inspeccione el aceite del motor	✓					
Cambie el aceite del motor		✓	✓ *	✓		
Mantenimiento del filtro de aire				✓		
Mantenimiento de la bujía				✓		
Limpie el motor	✓					

* — Uso con carga pesada o en temperatura ambiente elevada.

Figura 17

ADVERTENCIA

Nunca realice ningún ajuste sin antes detener el motor, desconectar el cable de la bujía y hacer masa contra el motor. Utilice siempre anteojos de seguridad durante la operación o mientras realiza ajustes o reparaciones.

RECOMENDACIONES GENERALES

1. Respete siempre las reglas de seguridad cuando realice tareas de mantenimiento.
2. La garantía de este rompetroncos no cubre elementos que han estado sujetos al mal uso o la negligencia del operador. Para recibir el reembolso total de la garantía, el operador deberá realizar el mantenimiento del equipo tal y como se indica en este manual.
3. Hay que realizar algunos ajustes periódicos para mantener el equipo adecuadamente.
4. Siga el programa de mantenimiento (Figura 17).
5. Revise periódicamente todos los sujetadores y compruebe que estén bien ajustados.

MANTENIMIENTO

LÍQUIDO HIDRÁULICO Y FILTRO DE ENTRADA

⚠ ADVERTENCIA

Detenga el motor y libere la presión del sistema hidráulico antes de cambiar o ajustar los accesorios, mangueras, tubos u otros componentes del sistema.

Controle el nivel de fluido hidráulico del depósito de la máquina rompetroncos antes de usarla. Siempre mantenga el nivel de líquido dentro del rango especificado en la varilla indicadora.

Cambie el fluido hidráulico del depósito cada 100 horas de funcionamiento. Siga los pasos que aparecen a continuación.

1. Desconecte la manguera de succión del fondo del tanque de depósito.
2. Con mucho cuidado desenrosque el filtro de entrada y límpielo con aceite penetrante. Vea la Figura 18.

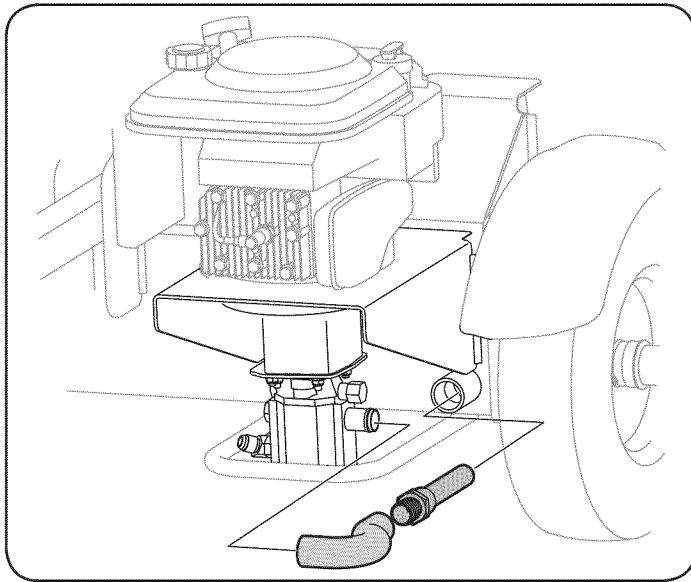


Figura 18

3. Deje que el líquido drene en un recipiente adecuado.
4. Vuelva a colocar el filtro y llene el depósito. Entre los fluidos aprobados se encuentran fluido hidráulico Shell Tellus® 32, fluido para transmisiones automáticas Dexron® III / Mercon®, aceite hidráulico Pro-Select™ AW-32 y aceite hidráulico 32 grado de viscosidad 10WAW-ISO.
5. Siempre mantenga el nivel de líquido dentro del rango especificado en la varilla indicadora.

NOTA: Siempre deseche el líquido hidráulico y el aceite de motor usados únicamente en centros de reciclaje aprobados. Los contaminantes que se encuentran en el fluido pueden dañar los componentes hidráulicos. Se recomienda enjuagar el tanque de depósito y las mangueras con keroseno cada vez que se realiza el servicio del tanque, de la bomba hidráulica o de la válvula. Cualquier reparación de los componentes hidráulicos debe ser realizada por un centro de servicio Sears.

⚠ ADVERTENCIA

Sea muy cuidadoso cuando trabaje con queroseno. Es un líquido muy inflamable.

Filtro hidráulico

Cambie el filtro hidráulico cada 50 horas de funcionamiento. Use únicamente un filtro hidráulico de 10 micrones. Pida la pieza número 23-0405.

VIGUETA Y CUÑA DE CORTE

Antes de cada uso, lubrique con aceite de motor los dos lados de la vigueta (donde hace contacto con la cuña de corte). La placa de la cuña de la máquina rompetroncos está diseñada para que los retenedores que están al costado de la misma se puedan quitar y rotar y/o dar vuelta para que el desgaste sea pareja.

Asegúrese de reajustar los pernos de ajuste para que la cuña se mueva libremente, pero sin que quede excesivo espacio entre la placa de la cuña y la vigueta.

MOTOR

Inspeccione el aceite del motor

1. Detenga el motor y espere varios minutos antes de verificar el nivel de aceite.
2. Saque la varilla del nivel de aceite.
3. Revise el nivel con la varilla. Con el motor sobre una superficie pareja, el aceite debe alcanzar la marca FULL (lleno) de la varilla del nivel de aceite.
4. Vuelva a colocar la varilla y ajuste.

Cambio del aceite del motor

Autorizado y se refieren a Sears Service Center.

Mantenimiento del filtro de aire

El filtro de aire evita que la suciedad, el polvo, etc. ingresen en el carburador y sean forzados hacia el motor causando daño. El filtro es importante para la vida útil y el rendimiento del motor.

⚠ ADVERTENCIA

No ponga nunca en funcionamiento el motor sin haber montado totalmente el filtro de aire.

Hágale un servicio al cartucho cada 25 horas de funcionamiento o cada temporada. Realice el servicio más frecuentemente cuando haya mucho polvo.

Servicio del filtro de aire

1. Afloje el tornillo de la tapa del filtro de aire, pero no lo saque de la tapa. Gire la tapa hacia abajo para sacarla de la bisagra.
2. Revise el filtro buscando decoloración o acumulación de suciedad. Si detecta alguna de las condiciones mencionadas proceda de la siguiente manera:
 - a. Limpie exhaustivamente el interior del compartimiento y de la tapa y extraiga el cartucho.
 - b. Vuelva a ensamblar el cartucho nuevo en el compartimiento. Gire la tapa hacia abajo y ajuste el tornillo que aflojó anteriormente.

⚠ ADVERTENCIA

La temperatura del silenciador y de las áreas cercanas puede superar los 150°F (65°C). Evite esos lugares.

MANTENIMIENTO

Mantenimiento de la bujía

1. Limpie la bujía y ajuste el espacio a 0.030" al menos una vez por temporada o cada 50 horas de funcionamiento.
2. Limpie el área alrededor de la bujía. Saque e inspeccione la bujía.
3. Cambie la bujía si los electrodos están picados, quemados o la porcelana está rota.

NOTA: Póngase en contacto con un centro de piezas y reparación Sears o con 1-800-4-MY-HOME® para obtener una bujía de repuesto, Champion® pieza número RJ19LM.

4. Compruebe la separación de electrodos con un calibre de separación de alambre y fije la separación en 0,030 pulgadas. Vea la Figura 19.

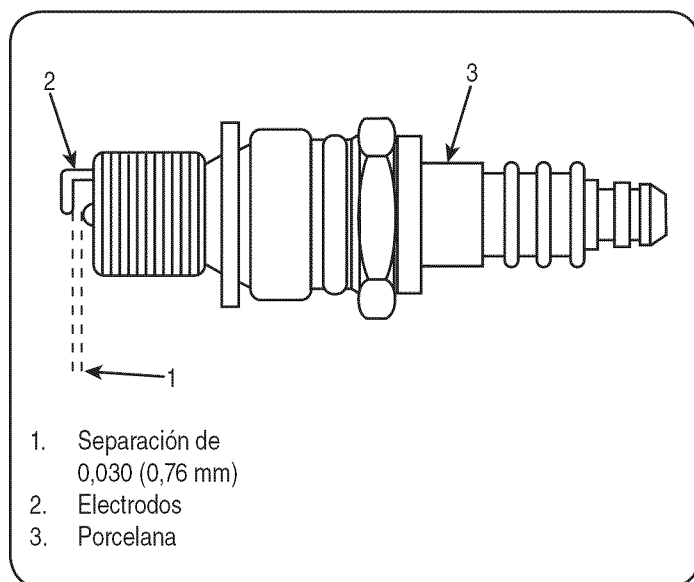


Figura 19

NOTA: No lije la bujía de encendido. La bujía se debe limpiar con un cepillo de alambre y un solvente comercial.

Limpie el motor

1. Limpie el motor periódicamente quitando la suciedad y los desechos con un trapo o cepillo.

NOTA: No se recomienda limpiar con un chorro de agua a presión, el agua podría contaminar el sistema de combustible.

2. Para garantizar el funcionamiento uniforme del motor, mantenga libres de residuos el enlace del regulador, los resortes y controles.
3. Cada 100 horas de funcionamiento, retire los depósitos producto de la combustión de encima del cabezal del cilindro, encima del pistón y alrededor de las válvulas.

ALMACENAMIENTO FUERA DE TEMPORADA

Prepare la máquina rompetroncos para su almacenamiento al finalizar la temporada o si la unidad no se utilizará durante 30 días o más.

ADVERTENCIA

Nunca almacene la máquina con combustible en el tanque dentro de un edificio donde los vapores puedan alcanzar una llama expuesta o chispas, o donde existan fuentes de ignición, tales como calentadores de agua, calefactores de ambientes, hornos, secadoras de ropa, estufas, motores eléctricos, etc.

NOTA: Un buen método para asegurar que la máquina rompetroncos funcione en óptimas condiciones la siguiente temporada es que su centro de servicio Sears local le realice una inspección anual.

MÁQUINA ROMPETRONCOS

1. Limpie a fondo la máquina rompetroncos.
2. Limpie la unidad con un trapo embebido en aceite para evitar la formación de óxido, especialmente en la cuña y la vigueta.

MOTOR

NOTA: Es importante evitar que durante el almacenamiento se formen depósitos de goma en las piezas esenciales del sistema de combustible, como el carburador, el filtro de combustible, la manguera de combustible o el depósito. Asimismo, los combustibles con mezcla de alcohol (denominado gasohol, o que utilizan etanol o metanol) pueden atraer la humedad, lo que conduce a la separación y formación de ácidos durante el almacenamiento. El gas ácido puede dañar el sistema de combustible del motor mientras la máquina está almacenada.

1. Drene el tanque de combustible haciendo funcionar el motor hasta vaciar las líneas de combustible y el carburador. Siempre drene el combustible únicamente dentro de un recipiente aprobado al aire libre y lejos de cualquier llama expuesta. Asegúrese de que el motor está frío. No fume mientras trabaja con combustible.

NOTA: Nunca use productos de limpieza para el motor o el carburador en el tanque de combustible ya que esto provocará un daño permanente. La siguiente temporada use combustible nuevo.

2. Extraiga la bujía, vierta aproximadamente ½ oz. de aceite de motor en el cilindro y hágalo rotar lentamente para distribuir el aceite.
3. Vuelva a colocar la bujía.

ESTABILIZADOR DE COMBUSTIBLE

NOTA: El uso de estabilizadores de combustible es una alternativa aceptable para minimizar la formación de depósitos de goma de combustible durante el almacenamiento.

Para almacenar la máquina rompetroncos con combustible y estabilizador en el motor, siga estas instrucciones:

1. Agregue el estabilizador a la gasolina que se encuentra en el depósito de combustible o en el recipiente de almacenamiento. Respete siempre la proporción de mezcla que figura en el recipiente del estabilizador.
2. Ponga el motor en marcha por lo menos 10 minutos después de agregar el estabilizador para permitirle llegar al carburador.

NOTA: No drene el depósito de combustible ni el carburador si está utilizando un estabilizador de combustible. Drene el aceite del cárter (se debe hacer después de hacer funcionar el motor, mientras está caliente) y vuelva a llenarlo con aceite nuevo.

OTROS

- No guarde gasolina de una temporada a la otra.
- Reemplace el recipiente de gasolina si comienza a oxidarse.
- Almacene el rompetroncos en un área limpia y seca. No lo almacene cerca de productos corrosivos como por ejemplo fertilizantes.
- Limpie el equipo con un trapo embebido en aceite para evitar la formación de óxido.

SOLUCIÓN DE PROBLEMAS

⚠ ADVERTENCIA

Antes de realizar cualquier tipo de mantenimiento o servicio, desenganche todos los controles y detenga el motor. Espere a que se detengan completamente todas las piezas móviles. Desconecte el cable de la bujía y póngalo haciendo masa contra el motor para evitar que se encienda accidentalmente. Utilice siempre anteojos de seguridad durante la operación o mientras realiza ajustes o reparaciones.

Esta sección analiza problemas menores de servicio. Para ubicar el Centro de Servicio Sears más cercano o para programar un servicio, simplemente comuníquese con Sears al teléfono 1-800-4-MY-HOME®.

PROBLEMA	CAUSA	REMEDIO
El motor no arranca	<ol style="list-style-type: none"> 1. Se ha desconectado el cable de la bujía. 2. El depósito de combustible está vacío o el combustible se ha echado a perder. 3. La palanca del cebador no está en posición CHOKE (cebador). 4. La bujía no funciona correctamente. 5. La línea del combustible está bloqueada. 6. El filtro de aire está sucio. 	<ol style="list-style-type: none"> 1. Conecte el cable a la bujía. 2. Llene el tanque con gasolina limpia y nueva. 3. Ponga el cebador en la posición CHOKE (cebador). 4. Haga el servicio de la bujía siguiendo las instrucciones de la sección Mantenimiento. 5. Limpie la línea del combustible. 6. Haga el servicio del depurador de aire siguiendo las instrucciones de la sección Mantenimiento.
El motor funciona de manera errática/RPM desiguales (oscilación o sobretensión)	<ol style="list-style-type: none"> 1. La unidad funciona con el cebador aplicado (si está equipado). 2. El cable de la bujía está flojo. 3. La línea del combustible está tapada o el combustible se ha echado a perder. 4. Hay agua o suciedad en el sistema de combustible. 5. El filtro de aire está sucio. 6. El carburador no está bien regulado. 	<ol style="list-style-type: none"> 1. Mueva la palanca del cebador a la posición RUN (marcha). 2. Conecte y ajuste el cable de la bujía. 3. Limpie la línea de combustible; llene el depósito con gasolina limpia y nueva (que tenga menos de 30 días). 4. Vacíe el tanque de combustible. Cargue combustible nuevo en el tanque. 5. Limpie o cambie el filtro de aire. 6. Comuníquese con el centro de servicio Sears.
El motor recalienta	<ol style="list-style-type: none"> 1. El nivel de aceite del motor está bajo. 2. El filtro de aire está sucio. 3. El carburador no está bien regulado. 	<ol style="list-style-type: none"> 1. Llene el cárter con aceite adecuado. 2. Haga el servicio del depurador de aire siguiendo las instrucciones de la sección Mantenimiento. 3. Comuníquese con el centro de servicio Sears.
La varilla del cilindro no se mueve	<ol style="list-style-type: none"> 1. El eje de accionamiento está roto. 2. Se han dejado los tapones de envío en las mangueras hidráulicas. 3. Los tornillos de fijación del acoplamiento no están ajustados adecuadamente. 4. El acoplamiento del eje está flojo. 5. Hay partes de los engranajes dañadas. 6. La válvula de descarga está dañada. 7. Las tuberías hidráulicas están bloqueadas. 8. El nivel de aceite es incorrecto. 9. Válvula direccional dañada o bloqueada. 	<ol style="list-style-type: none"> 1. Devuelva la unidad al centro de servicio Sears. 2. Desconecte las mangueras hidráulicas, retire los tapones colocados para el envío, vuelva a conectar las mangueras. 3. Vea el manual del operador para consultar el ajuste correcto. 4. Corrija la alineación del motor/la bomba según sea necesario. 5. Devuelva la unidad al centro de servicio Sears. 6. Devuelva la unidad al centro de servicio Sears. 7. Enjuague y limpie el sistema hidráulico. 8. Revise el nivel de aceite. Llene si es necesario. 9. Devuelva la unidad al centro de servicio Sears.
No rompe los troncos	<ol style="list-style-type: none"> 1. El fluido del depósito está bajo. 	<ol style="list-style-type: none"> 1. Llene con fluido de transmisión.
Cilindro con pérdidas	<ol style="list-style-type: none"> 1. Juntas rotas. 2. Cilindro ranurado. 	<ol style="list-style-type: none"> 1. Devuelva la unidad al centro de servicio Sears. 2. Devuelva la unidad al centro de servicio Sears.

¿NECESITA MÁS AYUDA?

Encontrará la respuesta y más en managemyhome.com - ¡sin cargo!

- Este y los manuales de todos sus otros productos los encontrará en línea.
- Sus preguntas serán respondidas por nuestro equipo de especialistas.
- Obtenga un plan de mantenimiento personalizado para su hogar.
- Encuentre información y herramientas que lo ayudarán con los proyectos domésticos

manage my home

brought to you by Sears

SOLUCIÓN DE PROBLEMAS

⚠️ ADVERTENCIA

Antes de realizar cualquier tipo de mantenimiento o servicio, desenganche todos los controles y detenga el motor. Espere a que se detengan completamente todas las piezas móviles. Desconecte el cable de la bujía y póngalo haciendo masa contra el motor para evitar que se encienda accidentalmente. Utilice siempre anteojos de seguridad durante la operación o mientras realiza ajustes o reparaciones.

Esta sección analiza problemas menores de servicio. Para ubicar el Centro de Servicio Sears más cercano o para programar un servicio, simplemente comuníquese con Sears al teléfono 1-800-4-MY-HOME®.

PROBLEMA	CAUSA	REMEDIO
Velocidad lenta del eje del cilindro durante la extensión o retracción.	<ol style="list-style-type: none"> Hay partes de los engranajes dañadas. Vacío excesivo en la entrada de la bomba. Velocidad del motor lenta. La válvula de descarga está dañada. El nivel de aceite es incorrecto. El aceite está contaminado. La válvula direccional tiene pérdidas internas. El cilindro está dañado internamente. 	<ol style="list-style-type: none"> Devuelva la unidad al centro de servicio Sears. Asegúrese de que las mangueras de entrada estén despejadas y sin bloqueos. Use mangueras de entrada cortas y de gran diámetro. Devuelva la unidad al centro de servicio Sears. Devuelva la unidad al centro de servicio Sears. Revise el nivel de aceite. Llene si es necesario. Vacíe el aceite, limpie el depósito y vuelva a llenarlo. Devuelva la unidad al centro de servicio Sears. Devuelva la unidad al centro de servicio Sears.
El motor funciona pero la madera no se corta o se corta con demasiada lentitud	<ol style="list-style-type: none"> La sección de engranajes pequeños está dañada. La válvula de retención de la bomba tiene pérdidas. Vacío excesivo en la entrada de la bomba. El nivel de aceite es incorrecto. El aceite está contaminado. La válvula direccional tiene pérdidas internas. Sobrecarga de cilindro. El cilindro está dañado internamente. 	<ol style="list-style-type: none"> Devuelva la unidad al centro de servicio Sears. Devuelva la unidad al centro de servicio Sears. Asegúrese de que las mangueras de entrada estén despejadas y sin bloqueos. Use mangueras de entrada cortas y de gran diámetro. Revise el nivel de aceite. Llene si es necesario. Vacíe el aceite, limpie el depósito y vuelva a llenarlo. Devuelva la unidad al centro de servicio Sears. No intente cortar madera en sentido transversal a la veta. Devuelva la unidad al centro de servicio Sears.
El motor se detiene mientras está cortando	<ol style="list-style-type: none"> Baja potencia/motor débil. Sobrecarga de cilindro. 	<ol style="list-style-type: none"> Devuelva la unidad al centro de servicio Sears. No intente cortar madera en sentido transversal a la veta. Si el motor se cala constantemente, comuníquese con el centro de servicio Sears.
El motor no gira o se detiene en condiciones de carga baja	<ol style="list-style-type: none"> Alineación incorrecta del motor/la bomba. Bomba congelada o atascada. Baja potencia/motor débil. Las tuberías hidráulicas están bloqueadas. La válvula direccional está bloqueada. 	<ol style="list-style-type: none"> Corrija la alineación según sea necesario. Devuelva la unidad al centro de servicio Sears. Devuelva la unidad al centro de servicio Sears. Enjuague y limpie el sistema hidráulico. Devuelva la unidad al centro de servicio Sears.
La junta del eje de la bomba pierde	<ol style="list-style-type: none"> El eje de accionamiento está roto. Alineación incorrecta del motor/la bomba. Hay partes de los engranajes dañadas. La junta del eje no está bien posicionada. Respiradero de aceite tapado. 	<ol style="list-style-type: none"> Devuelva la unidad al centro de servicio Sears. Corrija la alineación según sea necesario. Devuelva la unidad al centro de servicio Sears. Devuelva la unidad al centro de servicio Sears. Asegúrese de que el depósito tenga ventilación adecuada.

¿NECESITA MÁS AYUDA?

Encontrará la respuesta y más en managemyhome.com - ¡sin cargo!

- Éste y los manuales de todos sus otros productos los encontrará en línea.
- Sus preguntas serán respondidas por nuestro equipo de especialistas.
- Obtenga un plan de mantenimiento personalizado para su hogar.
- Encuentre información y herramientas que lo ayudarán con los proyectos domésticos

manage my home

brought to you by Sears

NOTAS

NOTAS

NOTAS

ACUERDO DE PROTECCIÓN PARA REPARACIONES

Felicitaciones por haber realizado una adquisición inteligente. El producto Craftsman® que ha adquirido está diseñado y fabricado para brindar muchos años de funcionamiento confiable. Pero como todos los productos a veces puede requerir de reparaciones. Es en ese momento cuando el disponer de un Acuerdo de protección para reparaciones le puede ahorrar dinero y problemas.

A continuación se detallan los puntos incluidos en el Acuerdo:

- **Servicio experto** prestado por nuestros 10,000 especialistas en reparaciones profesionales
- **Servicio ilimitado sin cargo** para las piezas y la mano de obra en todas las reparaciones cubiertas
- **Reemplazo del producto** hasta 1500 dólares si no es posible reparar el producto cubierto
- **Descuento de 10%** del precio normal del servicio y de las piezas relacionadas con el mismo que no estén cubiertas por el acuerdo; además, 10% del precio normal de la verificación de mantenimiento preventivo
- **Ayuda rápida por teléfono** - lo llamamos Resolución Rápida – el apoyo telefónico de un Chamusca al representante. Piense en nosotros como el manual “de un dueño hablador.”

Una vez adquirido el Acuerdo, puede programar el servicio con tan sólo realizar una llamada telefónica. Puede llamar en cualquier momento del día o de la noche o programar un servicio en línea. El Acuerdo de Protección de Reparación es una compra sin riesgo. Si usted anula por alguna razón durante el período de garantía de producto, proporcionaremos un reembolso lleno. O, un reembolso prorrateado en cualquier momento después del período de garantía de producto expira. ¡Adquiera hoy su acuerdo de protección para reparaciones!

Se aplican determinadas limitaciones y exclusiones. Para obtener información adicional y precios en los Estados Unidos llame al 1-800-827-6655.

El *Coverage en Canadá varía en algunos artículos. Para detalles llenos la llamada Chamusca Canadá en 1-800-361-6665.

Servicio de instalación de Sears

Si desea solicitar la instalación profesional de Sears de aparatos domésticos, dispositivos para abrir portones, calentadores de agua y otros artículos domésticos importantes, en los Estados Unidos o Canadá llame al **1-800-4-MY-HOME®**.

Get it fixed, at your home or ours!

Your Home

For expert troubleshooting and home solutions advice:

manage my home

www.managemyhome.com

For repair – **in your home** – of **all** major brand appliances, lawn and garden equipment, or heating and cooling systems, **no matter who made it, no matter who sold it!**

For the replacement parts, accessories and owner's manuals that you need to do-it-yourself.

For Sears professional installation of home appliances and items like garage door openers and water heaters.

1-800-4-MY-HOME[®] (1-800-469-4663)

Call anytime, day or night (U.S.A. and Canada)

www.sears.com www.sears.ca

Our Home

For repair of carry-in items like vacuums, lawn equipment, and electronics, call anytime for the location of your nearest

Sears Parts & Repair Service Center

1-800-488-1222 (U.S.A.) **1-800-469-4663** (Canada)

www.sears.com www.sears.ca

To purchase a protection agreement on a product serviced by Sears:

1-800-827-6655 (U.S.A.) **1-800-361-6665** (Canada)

Para pedir servicio de reparación a domicilio, y para ordenar piezas:

1-888-SU-HOGAR[®]

(1-888-784-6427)

Au Canada pour service en français:

1-800-LE-FOYER^{MC}

(1-800-533-6937)

www.sears.ca

Sears