

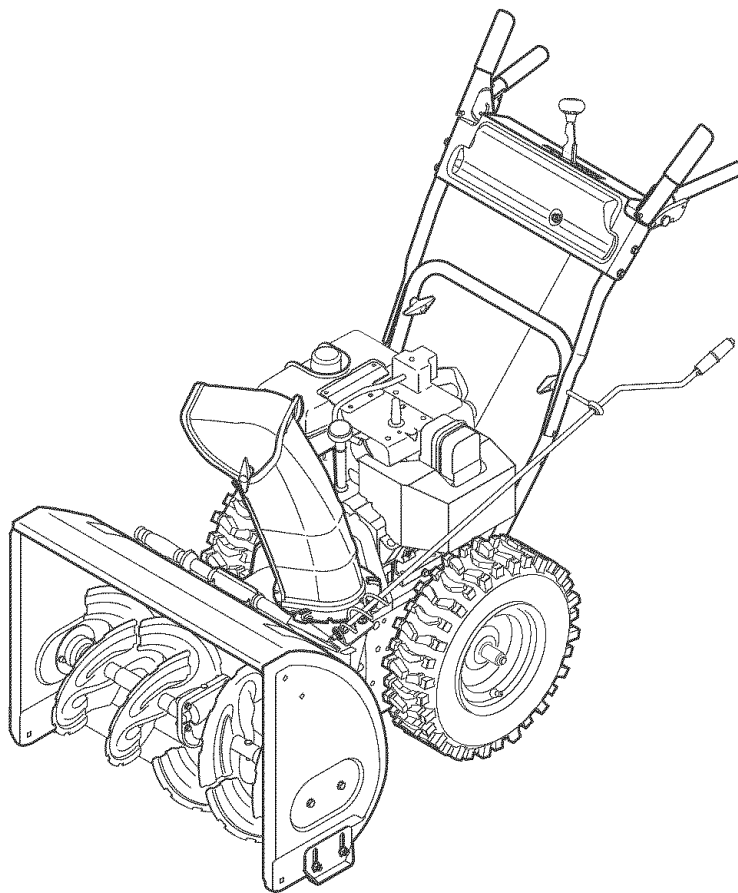
Operator's Manual

CRAFTSMAN[®]

9 Horse Power

SNOW THROWER

Model No. 247.88190



CAUTION: Before using this product, read this manual and follow all safety rules and operating instructions.

- SAFETY
- ASSEMBLY
- OPERATION
- MAINTENANCE
- PARTS LIST

Sears, Roebuck and Co., Hoffman Estates, IL 60179, U.S.A.

Visit our website: www.sears.com/craftsman

FORM NO. 769-01909B

07/21/2005

TABLE OF CONTENTS

Warranty Statement	Page 2	Maintenance	Pages 13-18
Repair Protection Agreement.....	Page 2	Service & Adjustments	Pages 19-20
Safe Operation Practices	Pages 3-5	Off-Season Storage.....	Page 21
Assembly	Pages 6-7	Troubleshooting	Page 22
Starting/Stopping Instructions.....	Pages 10-11	Service Numbers.....	Back Cover
Operation.....	Pages 8-12	Español.....	Page 36

WARRANTY STATEMENT

Two-Year Warranty on Craftsman Snow Thrower

For two years from the date of purchase, when this Craftsman Snow Thrower is maintained, lubricated and tuned up according to the instructions in the owner's manual, Sears will repair, free of charge, any defect in material and workmanship. If this Craftsman snow thrower is used for commercial or rental purposes, this warranty applies for only 30 days from the date of purchase.

This warranty does not cover:

- Expendable items which become worn during normal use, such as skid shoes, shave plate and spark plugs.
- Repairs necessary because of operator abuse or negligence, including bent crankshafts and the failure to maintain the equipment according to the instructions contained in the owner's manual.

WARRANTY SERVICE IS AVAILABLE BY RETURNING THE CRAFTSMAN SNOW THROWER TO THE NEAREST SEARS PARTS & REPAIR CENTER IN THE UNITED STATES.

This warranty applies only while this product is in use in the United States.

TO LOCATE THE NEAREST SEARS PARTS & REPAIR CENTER OR TO SCHEDULE SERVICE, SIMPLY CONTACT SEARS AT 1-800-4-MY-HOME@.

This warranty gives you specific legal rights and you may also have other rights which may vary from state to state.

SEARS, ROEBUCK AND CO., D/817WA, HOFFMAN ESTATES, IL 60179

Repair Protection Agreements

Congratulations on making a smart purchase. Your new Craftsman® product is designed and manufactured for years of dependable operation. But like all products, it may require repair from time to time. That's when having a Repair Protection Agreement can save you money and aggravation.

Here's what's included in the Agreement:

- Expert service by our 12,000 professional repair specialists
- Unlimited service and no charge for parts and labor on all covered repairs
- Product replacement if your covered product can't be fixed
- Discount of 10% from regular price of service and service-related parts not covered by the agreement; also, 10% off regular price of preventive maintenance check
- Fast help by phone – phone support from a Sears technician on products requiring in-home repair, plus convenient repair scheduling

Purchase a Repair Protection Agreement now and protect yourself from unexpected hassle and expense.

Once you purchase the Agreement, a simple phone call is all that it takes for you to schedule service. You can call anytime day or night, or schedule a service appointment online.

Sears has over 12,000 professional repair specialists, who have access to over 4.5 million quality parts and accessories. That's the kind of

professionalism you can count on to help prolong the life of your new purchase for years to come. Purchase your Repair Protection Agreement today!

Some limitations and exclusions apply. For prices and additional information call 1-800-827-6655.

Sears Installation Service

For Sears professional installation of home appliances, garage door openers, water heaters, and other major home items, in the U.S.A. call 1-800-4-MY-HOME@

PRODUCT SPECIFICATIONS

Horse Power: **9**
 Engine Oil: **SAE 5W-30**
 Fuel: **Unleaded Gasoline**
 Spark Plug: **Champion® RJ19LM**
 Engine: **Tecumseh LH318SP**

MODEL NUMBER

Model Number

Serial Number


Date of Purchase.....

Record the model number, serial number and date of purchase above

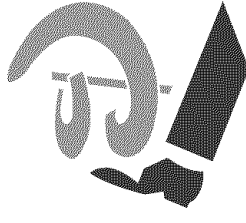
SAFETY LABELS

⚠ DANGER

1. KEEP AWAY FROM ROTATING IMPELLER AND AUGER. CONTACT WITH IMPELLER OR AUGER CAN AMPUTATE HANDS AND FEET.
2. USE CLEAN-OUT TOOL TO UNCLOG DISCHARGE CHUTE.
3. DISENGAGE CLUTCH LEVERS, STOP ENGINE, AND REMAIN BEHIND HANDLES UNTIL ALL MOVING PARTS HAVE STOPPED BEFORE UNCLOGGING OR SERVICING MACHINE.
4. TO AVOID THROWN OBJECTS INJURIES, NEVER DIRECT DISCHARGE AT BYSTANDERS. USE EXTRA CAUTION WHEN OPERATING ON GRAVEL SURFACES.
5. READ OPERATOR'S MANUAL.

CLEAN-OUT TOOL 

⚠ DANGER



AVOID INJURY FROM ROTATING AUGER - KEEP HANDS, FEET AND CLOTHING AWAY.

⚠ DANGER



- NEVER PUT HAND IN CHUTE. CONTACT WITH ROTATING PARTS CAN AMPUTATE FINGERS AND HANDS.
- SHUT OFF ENGINE AND WAIT UNTIL ALL MOVING PARTS HAVE STOPPED BEFORE UNCLOGGING.
- USE CLEAN-OUT TOOL OR WOODEN STICK TO UNCLOG DISCHARGE CHUTE.

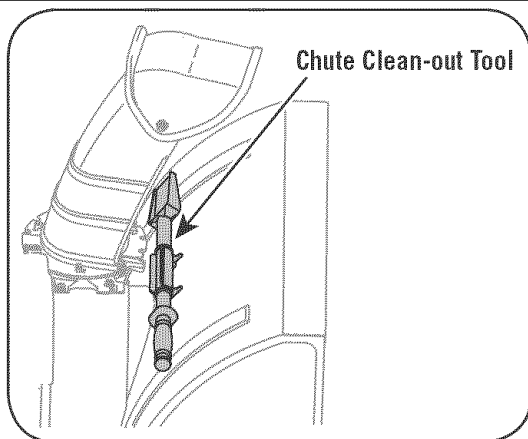


This symbol points out important safety instructions which, if not followed, could endanger the personal safety and/or property of yourself and others. Read and follow all instructions in this manual before attempting to operate this machine. Failure to comply with these instructions may result in personal injury. When you see this symbol.

HEED ITS WARNING!

Your Responsibility

Restrict the use of this power machine to persons who read, understand and follow the warnings and instructions in this manual and on the machine.



A chute clean-out tool is fastened to the top of the auger housing with a mounting clip. The tool is designed to clear a chute assembly of ice and snow.

This item is fastened with a cable tie at the factory. Cut the cable tie before operating the snow thrower.



WARNING: Never use your hands to clear a clogged chute assembly. Shut off engine and remain behind handles until all moving parts have stopped before using the clean-out tool to clear the chute assembly.

SAFE OPERATION PRACTICES



WARNING: Engine Exhaust, some of its constituents, and certain vehicle components contain or emit chemicals known to State of California to cause cancer and birth defects or other reproductive harm.

DANGER: This machine was built to be operated according to the rules for safe operation in this manual. As with any type of power equipment, carelessness or error on the part of the operator can result in serious injury. This machine is capable of amputating hands and feet and throwing objects. Failure to observe the following safety instructions could result in serious injury or death.



WARNING: This symbol points out important safety instructions which, if not followed, could endanger the personal safety and/or property of yourself and others. Read and follow all instructions in this manual before attempting to operate this machine. Failure to comply with these instructions may result in personal injury.

When you see this symbol. **HEED ITS WARNING!**

Your Responsibility: Restrict the use of this power machine to persons who read, understand and follow the warnings and instructions in this manual and on the machine.

Training

1. Read, understand, and follow all instructions on the machine and in the manual(s) before attempting to assemble and operate. Keep this manual in a safe place for future and regular reference and for ordering replacement parts.
2. Be familiar with all controls and their proper operation. Know how to stop the machine and disengage them quickly.
3. Never allow children under 14 years old to operate this machine. Children 14 years old and over should read and understand the operation instructions and safety rules in this manual and should be trained and supervised by a parent.
4. Never allow adults to operate this machine without proper instruction.
5. Thrown objects can cause serious personal injury. Plan your snow-throwing pattern to avoid discharge of material toward roads, bystanders and the like.
6. Keep bystanders, helpers, pets and children at least 75 feet from the machine while it is in operation. Stop machine if anyone enters the area.
7. Exercise caution to avoid slipping or falling, especially when operating in reverse.

Preparation

1. Thoroughly inspect the area where the equipment is to be used. Remove all doormats, newspapers, sleds, boards, wires and other foreign objects, which could be tripped over or thrown by the auger/impeller.
2. Always wear safety glasses or eye shields during operation and while performing an adjustment or repair to protect your eyes. Thrown objects which ricochet can cause serious injury to the eyes.
3. Do not operate without wearing adequate winter outer garments. Do not wear jewelry, long scarves or other loose clothing, which could become entangled in moving parts. Wear footwear which will improve footing on slippery surfaces.
4. Use a grounded three-wire extension cord and receptacle for all units with electric start engines.
5. Adjust collector housing height to clear gravel or crushed rock surfaces.
6. Disengage all control levers before starting the engine.
7. Never attempt to make any adjustments while engine is running, except where specifically recommended in the operator's manual.
8. Let engine and machine adjust to outdoor temperature before starting to clear snow.
9. To avoid personal injury or property damage use extreme care in handling gasoline. Gasoline is extremely flammable and the vapors are explosive. Serious personal injury can occur when gasoline is spilled on yourself or your clothes, which can ignite. Wash your skin and change clothes immediately.
 - a. Use only an approved gasoline container.
 - b. Extinguish all cigarettes, cigars, pipes and other sources of ignition.
 - c. Never fuel machine indoors.
 - d. Never remove gas cap or add fuel while the engine is hot or running.
 - e. Allow engine to cool at least two minutes before refueling.
 - f. Never over fill fuel tank. Fill tank to no more than ½ inch below bottom of filler neck to provide space for fuel expansion.
 - g. Replace gasoline cap and tighten securely.
 - h. If gasoline is spilled, wipe it off the engine and equipment. Move machine to another area. Wait 5 minutes before starting the engine.
 - i. Never store the machine or fuel container inside where there is an open flame, spark or pilot light (e.g. furnace, water heater, space heater, clothes dryer etc.).
 - j. Allow machine to cool at least 5 minutes before storing.

SAFE OPERATION PRACTICES

Operation

1. Do not put hands or feet near rotating parts, in the auger/impeller housing or chute assembly. Contact with the rotating parts can amputate hands and feet.
2. The auger/impeller control lever is a safety device. Never bypass its operation. Doing so makes the machine unsafe and may cause personal injury.
3. The control levers must operate easily in both directions and automatically return to the disengaged position when released.
4. Never operate with a missing or damaged chute assembly. Keep all safety devices in place and working.
5. Never run an engine indoors or in a poorly ventilated area. Engine exhaust contains carbon monoxide, an odorless and deadly gas.
6. Do not operate machine while under the influence of alcohol or drugs.
7. Muffler and engine become hot and can cause a burn. Do not touch.
8. Exercise extreme caution when operating on or crossing gravel surfaces. Stay alert for hidden hazards or traffic.
9. Exercise caution when changing direction and while operating on slopes.
10. Plan your snow-throwing pattern to avoid discharge towards windows, walls, cars etc. Thus, avoiding possible property damage or personal injury caused by a ricochet.
11. Never direct discharge at children, bystanders and pets or allow anyone in front of the machine.
12. Do not overload machine capacity by attempting to clear snow at too fast of a rate.
13. Never operate this machine without good visibility or light. Always be sure of your footing and keep a firm hold on the handles. Walk, never run.
14. Disengage power to the auger/impeller when transporting or not in use.
15. Never operate machine at high transport speeds on slippery surfaces. Look down and behind and use care when backing up.
16. If the machine should start to vibrate abnormally, stop the engine, disconnect the spark plug wire and ground it against the engine. Inspect thoroughly for damage. Repair any damage before starting and operating.
17. Disengage all control levers and stop engine before you leave the operating position (behind the handles). Wait until the auger/impeller comes to a complete stop before unclogging the chute assembly, making any adjustments, or inspections.
18. Never put your hand in the discharge or collector openings. Always use the clean-out tool provided to unclog the discharge opening. Do not unclog chute assembly while engine is running. Shut off engine and remain behind handles until all moving parts have stopped before unclogging.
19. Use only attachments and accessories approved by the manufacturer (e.g. wheel weights, tire chains, cabs etc.).
20. If situations occur which are not covered in this manual, use care and good judgment. Contact your Sears Service Center for assistance.

Maintenance & Storage

1. Never tamper with safety devices. Check their proper operation regularly. Refer to the maintenance and adjustment sections of this manual.
2. Before cleaning, repairing, or inspecting machine disengage all control levers and stop the engine. Wait until the auger/impeller come to a complete stop. Disconnect the spark plug wire and ground against the engine to prevent unintended starting.
3. Check bolts and screws for proper tightness at frequent intervals to keep the machine in safe working condition. Also, visually inspect machine for any damage.
4. Do not change the engine governor setting or over-speed the engine. The governor controls the maximum safe operating speed of the engine.
5. Snow thrower shave plates and skid shoes are subject to wear and damage. For your safety protection, frequently check all components and replace with original equipment manufacturer's (OEM) parts only. "Use of parts which do not meet the original equipment specifications may lead to improper performance and compromise safety!"
6. Check controls periodically to verify they engage and disengage properly and adjust, if necessary. Refer to the adjustment section in this operator's manual for instructions.
7. Maintain or replace safety and instruction labels, as necessary.
8. Observe proper disposal laws and regulations for gas, oil, etc. to protect the environment.
9. Prior to storing, run machine a few minutes to clear snow from machine and prevent freeze up of auger/impeller.
10. Never store the machine or fuel container inside where there is an open flame, spark or pilot light such as a water heater, furnace, clothes dryer etc.
11. Always refer to the operator's manual for proper instructions on off-season storage.

Do not modify engine

To avoid serious injury or death, do not modify engine in any way. Tampering with the governor setting can lead to a runaway engine and cause it to operate at unsafe speeds. Never tamper with factory setting of engine governor.

Notice regarding Emissions

Engines which are certified to comply with California and federal EPA emission regulations for SORE (Small Off Road Equipment) are certified to operate on regular unleaded gasoline, and may include the following emission control systems: Engine Modification (EM) and Three Way Catalyst (TWC) if so equipped.

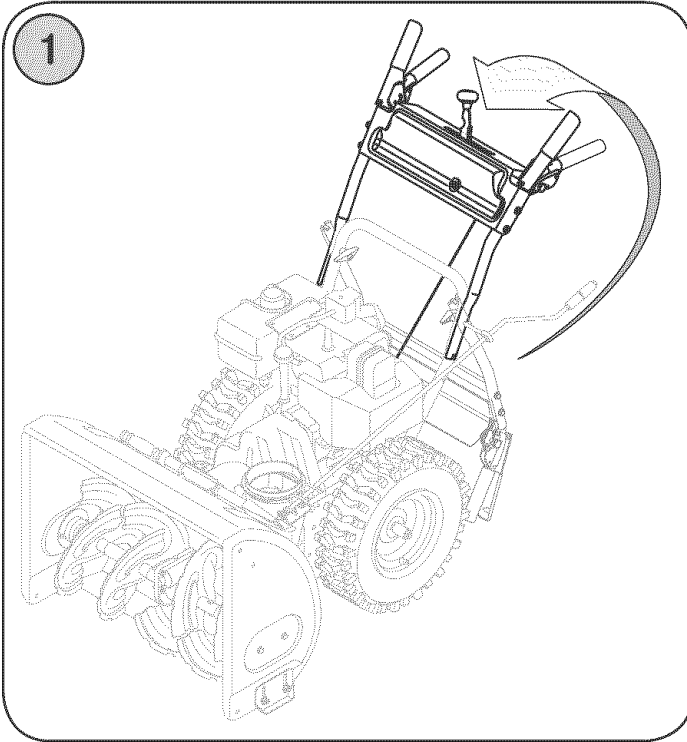
Engine Identification Decal

This decal indicates the engine's model number, specification and the date of manufacture. Please look at the decal on the engine of your equipment and record these information for future reference.

The engine identification decal also includes engine life specifications for the emissions-related useful life period of the engine. This period relates to the emission compliance life as certified by EPA and/or CARB. To find the life period specification of the engine, please read the engine decal and locate the letter (enclosed by quotation marks) between the words Moderate and Life Period. Match one of the following letters with the letter printed on your decal. For example, HMSK 80 models are designated as:

- "C" — 250 hours
- "B" — 500 hours
- "A" — 1000 hours

ASSEMBLY



NOTE: References to right or left side of the snow thrower are determined from behind the unit in the operating position (standing directly behind the snow thrower, facing the handle panel).

Removing From Carton

1. Cut the corners of the carton and lay the sides flat on the ground. Remove and discard all packing inserts.
2. Move the snow thrower out of the carton.
3. Make certain the carton has been completely emptied before discarding it.

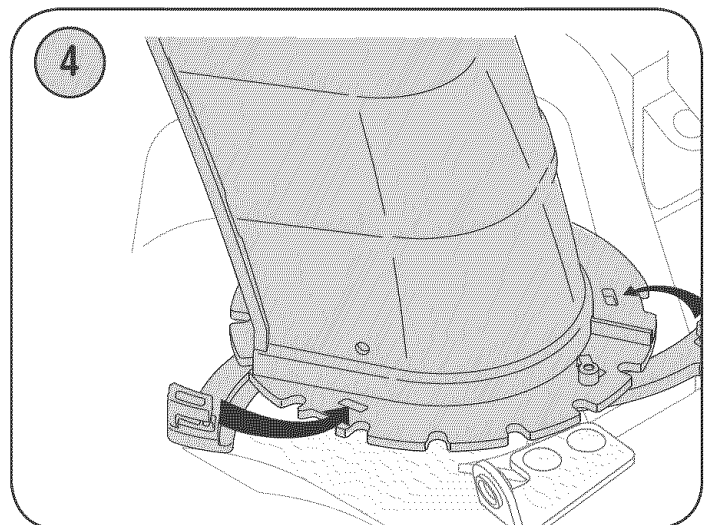
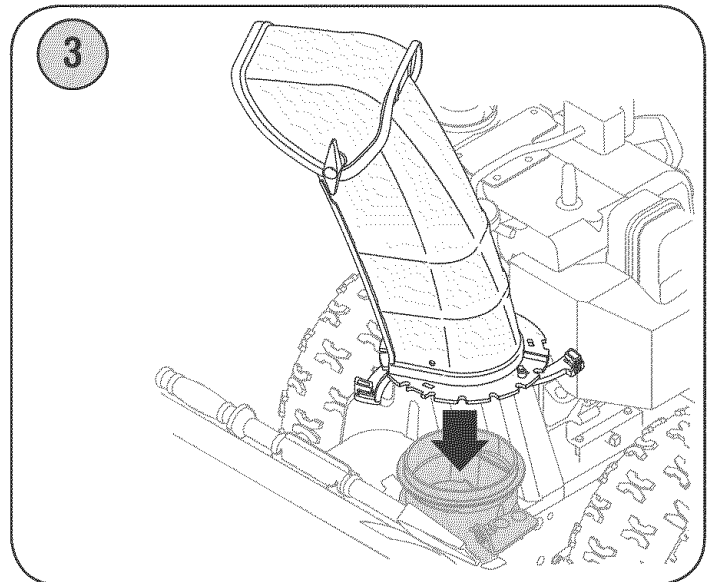
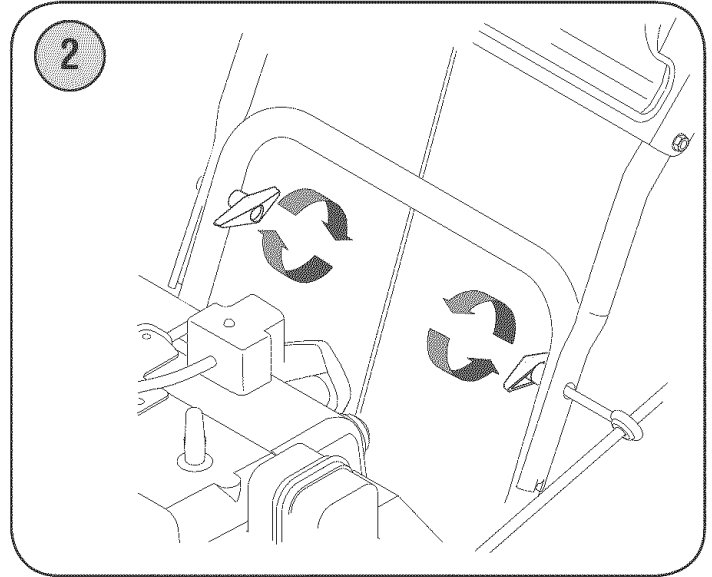
Loose Parts

Two replacement auger shear pins are included with this manual. Refer to Augers on page 15 for more information regarding shear pin replacement.

Setting up Snow Thrower

1. Observe the lower rear area of the snow thrower to be sure both cables are aligned with roller guides before pivoting the handle upward.
2. Secure the handle by tightening the plastic wing knob located on both the left and right sides of the handle. Remove and discard any rubber bands, if present. They are for packaging purposes only.
3. Position the chute assembly over the base.
4. Close the flange keepers to secure the chute assembly to the chute base. The flange keepers will click into place when properly secure.

NOTE: If the flange keepers will not easily click into place, use the palm of your hand to apply swift, firm pressure to the back of each.



ASSEMBLY

5. Remove the flat washer and hairpin clip from the end of the chute directional control.

Insert the end of the chute directional control into the lower bracket and secure with the flat washer and hairpin clip just removed.

If necessary, the lower bracket can be adjusted. Refer to Chute Bracket Adjustment. on Page 20.

Adjustments

Auger Control

IMPORTANT: Prior to operating your snow thrower, refer to Auger Control Test on page 12. Read and follow all instructions carefully and perform all adjustments to verify your snow thrower is operating safely and properly.

Skid Shoes

IMPORTANT: It is not recommended that you operate this snow thrower on gravel as loose gravel can be easily picked up and thrown by the auger causing personal injury or damage to the snow thrower.

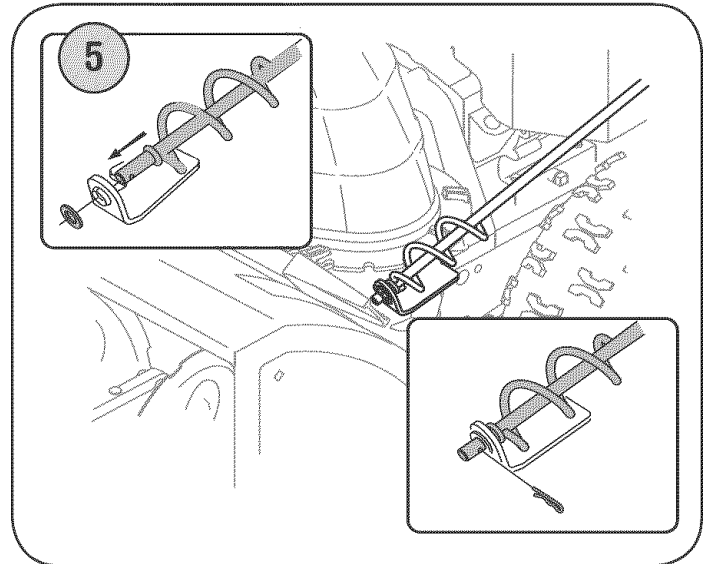
The snow thrower skid shoes are adjusted upward at the factory for shipping purposes. Adjust them downward, if desired, prior to operating the snow thrower. Refer to Skid Shoes on page 13.

NOTE: If you choose to operate the snow thrower on a gravel surface, keep the skid shoe in the position for maximum clearance between the ground and the shave plate.

Tire Pressure

Before operating, check tire pressure and reduce pressure in both tires to between 15 psi and 20 psi.

NOTE: If the tire pressure is not equal in both tires, the unit may not travel in a straight path and the shave plate may wear unevenly.



OPERATING YOUR SNOW THROWER

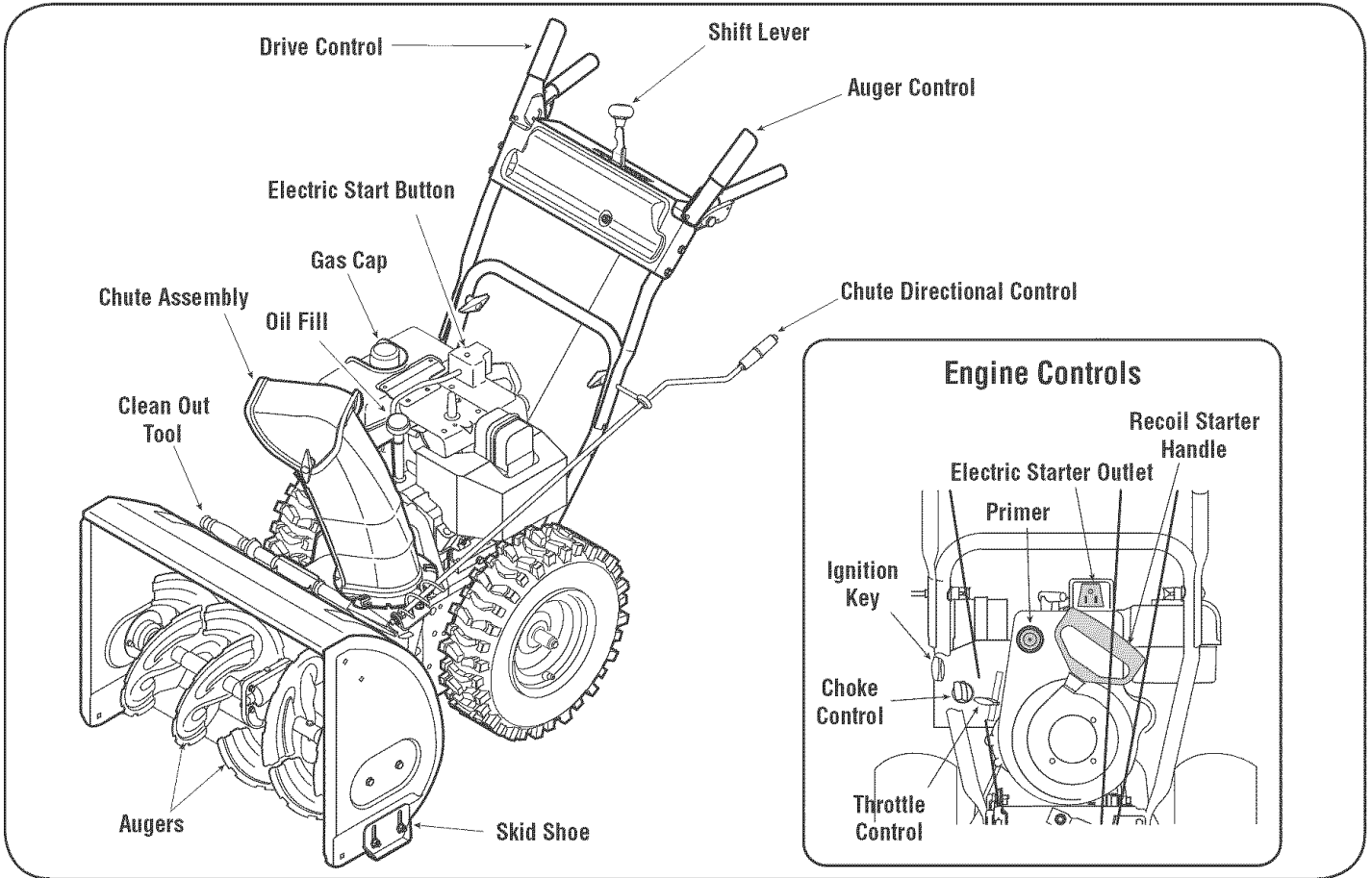


Figure 1

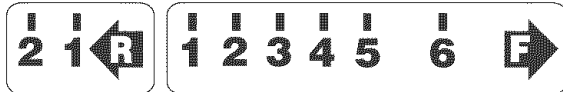
Operating Controls

(See Figure 1)



WARNING: Read, understand, and follow all instructions and warnings on the machine and in this manual before operating.

Shift Lever



The shift lever is located between the lower handles. Place the shift lever into any of eight positions to control the direction of travel and ground speed.

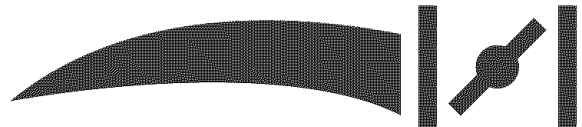
Forward

There are six forward (F) speeds. Position one (1) is the slowest and position six (6) is the fastest.

Reverse

There are two reverse (R) speeds. One (1) is the slower and two (2) is the faster.

Choke Control



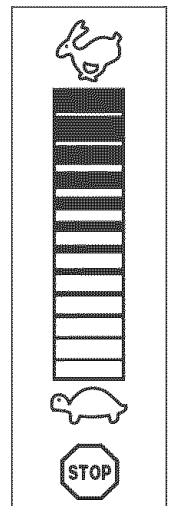
The choke control is found on the rear of the engine and is activated by rotating the knob clockwise. Activating the choke control closes the choke plate on the carburetor and aids in starting the engine.

Throttle Control

The throttle control is located on the engine. It regulates the speed of the engine and will shut off the engine when pushed down completely.

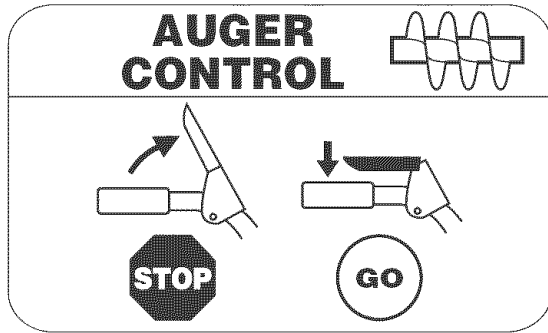
Primer

Depressing the primer forces fuel directly into the engine's carburetor to aid in cold-weather starting.



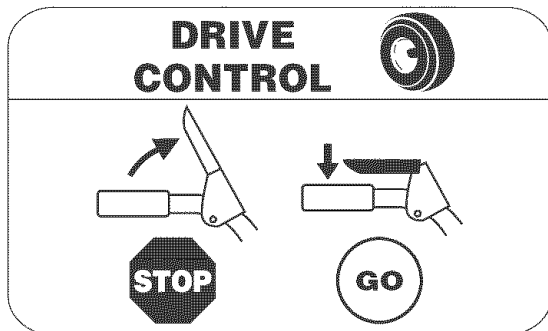
OPERATING YOUR SNOW THROWER

Auger Control



The auger control is located on the left handle. Squeeze the control grip against the handle to engage the augers and start snow throwing action. Release to stop.

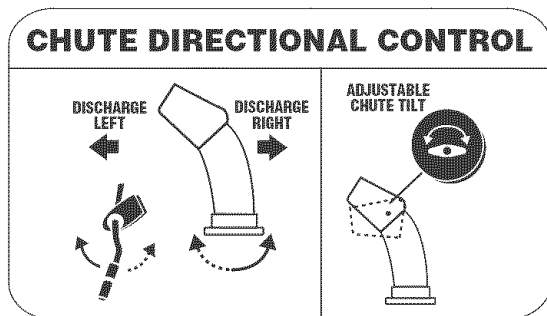
Drive Control



The drive control is located on the right handle. Squeeze the control grip against the handle to engage the wheel drive. Release to stop.

Chute Directional Control

The chute directional control is located on left side of the snow thrower.



To change the direction in which snow is thrown, turn chute directional control as follows:

- Crank clockwise to discharge to the left.
- Crank counterclockwise to discharge to the right.

Ignition Key

The ignition key is a safety device. It must be fully inserted in order for the engine to start. Remove the ignition key when the snow thrower is not in use.

Do not turn the ignition key in an attempt to start the engine. Doing so may cause it to break.

Clean-Out Tool



WARNING: Never use your hands to clear a clogged chute assembly. Shut off engine and remain behind handles until all moving parts have stopped before unclogging.

The chute clean-out tool is fastened to the top of the auger housing with a mounting clip. The tool is designed to clear a clogged chute assembly.

NOTE: This item (along with the electric starter's extension cord) is fastened with a cable tie to the rear of the auger housing at the factory. Cut the cable tie before operating the snow thrower.

Skid Shoes

Position the skid shoes based on surface conditions. Adjust upward for hard-packed snow. Adjust downward when operating on gravel or crushed rock surfaces.

Recoil Starter Handle

This handle is used to manually start the engine.

Electric Starter Button

Pressing the electric starter button engages the engine's electric starter when plugged into a 120V power source.

Electric Starter Outlet

Requires the use of a three-prong outdoor extension cord (included) and a 120V power source/wall outlet.

Augers

When engaged, the augers rotate and draw snow into the auger housing.

Chute Assembly

Snow drawn into the auger housing is discharged out the chute assembly.

Gas Cap

Unthread the gas cap to add gasoline to the fuel tank.

Oil Fill

Engine oil level can be checked and oil added through the oil fill.

OPERATING YOUR SNOW THROWER

Before Starting Engine



WARNING: Read, understand, and follow all instructions and warnings on the machine and in this manual before operating.

Oil

The engine was shipped with oil in the engine. Check oil level before each operation to ensure adequate oil in the engine. For further instructions, refer to the steps on page 17.

1. Remove the dipstick from the oil fill.
2. Check and make sure that the level of oil is up to the FULL mark on the dipstick.
3. If the oil level is not up to FULL, pour fresh motor oil (5W-30, with a minimum classification of SL/SJ) slowly through the opening. Replace oil fill dipstick and check oil level again.

Gasoline



WARNING: Use extreme care when handling gasoline. Gasoline is extremely flammable and the vapors are explosive. *Never* fuel the machine indoors or while the engine is hot or running. Extinguish cigarettes, cigars, pipes and other sources of ignition.

- Store gasoline in a clean, approved container and keep the cap in place on the container.
- Make sure that the container from which you pour the gasoline is clean and free from rust or other foreign particles.

NOTE: A plastic dust cap *may* be found inside the fuel fill opening. Remove and discard, if present.

- Always fill the fuel tank outdoors and use a funnel or spout to prevent spilling.
- Fill fuel tank with clean, fresh, unleaded gasoline.
- Never fill the fuel tank completely. Fill the tank to within 1/2" from the top to provide space for expansion of fuel.
- Make sure to wipe off any spilled fuel before starting the engine.

Starting The Engine

1. Attach spark plug wire to spark plug. Make certain the metal loop on the end of the spark plug wire (inside the rubber boot) is fastened securely over the metal tip on the spark plug.
2. Make certain both the auger control and drive control are in the disengaged (released) position.
3. Move throttle control up to FAST position. Insert ignition key into slot. Make sure it snaps into place. Do not attempt to turn the key.

NOTE: The engine cannot start without the key is fully inserted into the ignition switch.

Electric Starter

1. Determine that your home's wiring is a three-wire grounded system. Ask a licensed electrician if you are not certain.



WARNING: The optional electric starter is equipped with a grounded three-wire power cord and plug, and is designed to operate on 120 volt AC household current. It must be used with a properly grounded three-prong receptacle at all times to avoid the possibility of electric shock.

If your home's wiring system is not a three-wire grounded system, do not use this electric starter under any conditions.

If your home electrical system is grounded, but a three-hole receptacle is not available, do not use your snow thrower's electric starter.

Follow all instructions carefully prior to operating the electric starter.

If you have a grounded three-prong receptacle, proceed as follows:

1. Plug the extension cord into the outlet located on the engine's surface. Plug the other end of extension cord into a three-prong 120-volt, grounded, AC outlet in a well-ventilated area.
2. Rotate choke control to FULL choke position (for a cold engine start).

NOTE: If the engine is already warm, place choke control in the OFF position instead of FULL.

3. Push the primer two or three times for cold engine start, making sure to cover vent hole in the center of the primer when pushing.

NOTE: DO NOT use primer to restart a warm engine after a short shutdown.

4. Push starter button to start engine.
5. Once the engine starts, release starter button.
6. As the engine warms, slowly rotate the choke control to the OFF position. If the engine falters, quickly rotate the choke control back to FULL and then slowly into the OFF position again.
7. When disconnecting the extension cord, always unplug the end at the three-prong wall outlet before unplugging the opposite end from the snow thrower.

Recoil Starter

1. Rotate choke control to FULL choke position (cold engine start).

NOTE: If the engine is already warm, place choke control in the OFF position instead of FULL.

OPERATING YOUR SNOW THROWER

2. Push the primer two or three times for cold engine start, making sure to cover vent hole in the center of the primer when pushing.

NOTE: DO NOT use primer to restart a warm engine after a short shutdown.

NOTE: Additional priming may be necessary if the temperature is below 15° Fahrenheit.

3. Grasp the recoil starter handle and slowly pull the rope out. At the point where it becomes slightly harder to pull the rope, slowly allow the rope to recoil.
4. Pull the starter handle with a firm, rapid stroke. Do not release the handle and allow it to snap back. Keep a firm hold on the starter handle and allow it to slowly recoil.
5. As the engine warms, slowly rotate the choke control to the OFF position. If the engine falters, quickly rotate the choke control back to the FULL position and then slowly into the OFF position again.

NOTE: Allow the engine to warm up for a few minutes after starting. The engine will not develop full power until it reaches operating temperatures.

Stopping The Engine

Run engine for a few minutes before stopping to help dry off any moisture on the engine.

- To help prevent possible starter freeze-up, proceed as follows:

Electric Starter

1. Connect extension cord to the electric starter outlet on the engine, then to 120 volt AC outlet.
2. With the engine running, push the starter button and allow the starter to spin for several seconds. The noise made by the starter is normal. The engine's starter is not being harmed.
3. When disconnecting the extension cord, always unplug the end at the three-prong wall outlet before unplugging the opposite end from the snow thrower.
4. Move throttle control to STOP position.
5. Remove the ignition key and store in a safe place.
6. Wipe all snow and moisture from the area around the engine as well as the area in and around the drive control and auger control. Also, engage and release both controls several times.

Recoil Starter

1. With engine running, pull starter rope with a rapid, continuous full arm stroke three or four times. Pulling the starter rope will produce a loud clattering sound, which is not harmful to engine.
2. Move throttle control to STOP position.
3. Remove the ignition key and store in a safe place.
4. Wipe all snow and moisture from the area around the engine as well as the area in and around the drive control and auger control. Also, engage and release both controls several times.

Chute Clean-Out Tool

The chute clean-out tool is conveniently fastened to the rear of the auger housing with a mounting clip. Should snow and ice become lodged in the chute assembly during operation, proceed as follows to safely clean the chute assembly and chute opening:

1. Release both the Auger Control and the Drive Control.
2. Stop the engine by removing the ignition key.
3. Remove the clean-out tool from the clip which secures it to the rear of the auger housing.



WARNING: The muffler, engine and surrounding areas become hot and can cause a burn. Do not touch.

4. Use the shovel-shaped end of the clean-out tool to dislodge and scoop any snow and ice which has formed in and near the chute assembly.
5. Refasten the clean-out tool to the mounting clip on the rear of the auger housing, reinsert the ignition key and start the snow thrower's engine.
6. While standing in the operator's position (behind the snow thrower), engage the auger control for a few seconds to clear any remaining snow and ice from the chute assembly.

To Engage Drive

1. With the throttle control in the Fast (rabbit) position, move shift lever into one of the six forward (F) positions or two reverse (R) positions. Select a speed appropriate for the snow conditions and a pace you're comfortable with.

NOTE: When selecting a Drive Speed, use the slower speeds until you are comfortable and familiar with the operation of the snow thrower.

2. Squeeze the auger control against the handle and the augers will turn. Release it and the augers will stop.
3. Squeeze the drive control against the handle the snow thrower will move. Release it and drive motion will stop.

IMPORTANT: NEVER reposition the shift lever (change speeds or direction of travel) without first releasing the drive control and bringing the snow thrower to a complete stop. Doing so will result in premature wear to the snow thrower's drive system.

OPERATING YOUR SNOW THROWER

To Engage Augers

1. To engage the augers and start throwing snow, squeeze the auger control against the left handle. Release to stop the augers.

Auger Control Test

Perform the following test before operating your snow thrower for the first time and at the start of each winter.

Check the adjustment of the auger control as follows:

1. When the auger control is released and in the disengaged “up” position, the cable should have very little slack. It should NOT be tight.
2. In a well-ventilated area, start the snow thrower engine as instructed earlier in this section. Make sure the throttle is set in the FAST position.
3. While standing in the operator’s position (behind the snow thrower), engage the auger.
4. Allow the auger to remain engaged for approximately ten (10) seconds before releasing the auger control. Repeat this several times.
5. With the throttle control in the FAST (rabbit) position and the auger control in the disengaged “up” position, walk to the front of the machine.
6. Confirm that the auger has completely stopped rotating and shows NO signs of motion. If the auger shows ANY signs of rotating, immediately return to the operator’s position and shut off the engine. Wait for ALL moving parts to stop before re-adjusting the auger control.
7. To readjust the control cable, loosen the upper hex nut on the auger cable bracket.
8. Position the bracket upward to provide more slack (or downward to increase cable tension). See Figure 2.
9. Retighten the upper hex nut.
10. Repeat **Auger Control Test** to verify proper adjustment has been achieved.

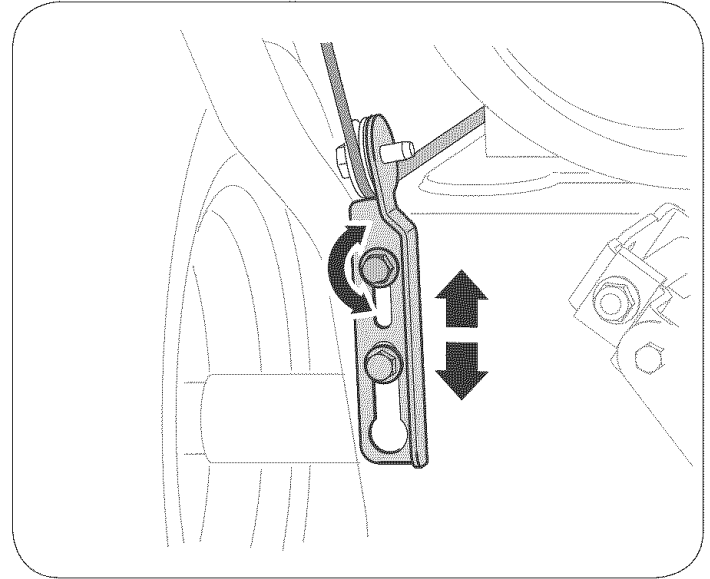


Figure 2

MAINTENANCE

Lubrication



WARNING: Before lubricating, repairing, or inspecting, disengage all controls and stop engine. Wait until all moving parts have come to a complete stop.

Gear Shaft

The gear (hex) shaft should be lubricated at least once a season or after every 25 hours of operation.

1. Remove the lower frame cover by removing the two screws which secure it.
2. Apply a light coating of an all-weather multi-purpose grease to the hex shaft. See Figure 3.

IMPORTANT: Avoid oil spillage on rubber friction wheel and aluminum drive plate.

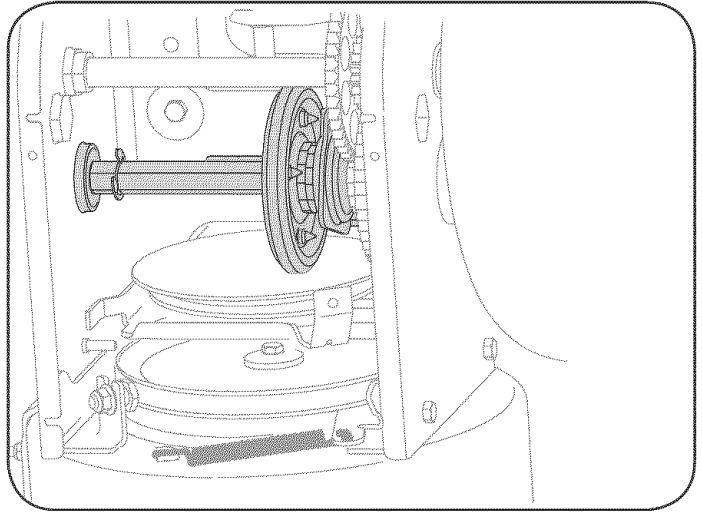


Figure 3

Wheels

At least once a season, remove both wheels. Clean and coat the axles with a multipurpose automotive grease before reinstalling wheels.

Chute Directional Control

Once a season, the joystick should be lubricated with petroleum jelly, linseed oil, mineral oil, paraffin wax or 3-in-1 oil.

Auger Shaft

At least once a season, remove the shear pins on auger shaft. Spray lubricant inside shaft, around the spacers. Also lubricate the flange bearings found at either end of the shaft. See Figure 4.

Gear Case

The auger gear case has been filled with grease and sealed at the factory. If disassembled for any reason, lubricate with two ounces of new grease (Part Number 737-0168).

NOTE: Do not overfill the gear case. Damage to the seals could result. Be sure the vent plug is free of grease in order to relieve pressure.

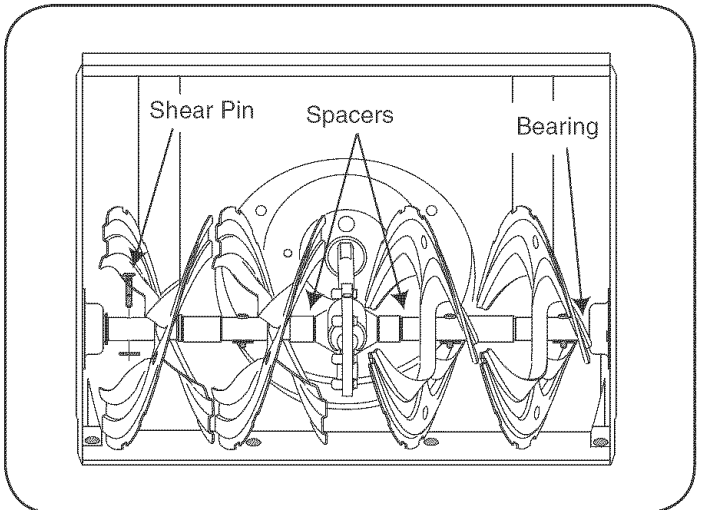


Figure 4

Shave Plate and Skid Shoes

The shave plate and skid shoes on the bottom of the snow thrower are subject to wear. They should be checked periodically and replaced when necessary.

To remove skid shoes:

1. Remove the four carriage bolts and hex flange nuts which secure them to the snow thrower.
2. Reassemble new skid shoes with the four carriage bolts (two on each side) and hex flange nuts. Refer to Figure 5.

To remove shave plate:

1. Remove the carriage bolts and hex nuts which attach it to the snow thrower housing.
2. Reassemble new shave plate, making sure heads of carriage bolts are to the inside of housing. Tighten securely.

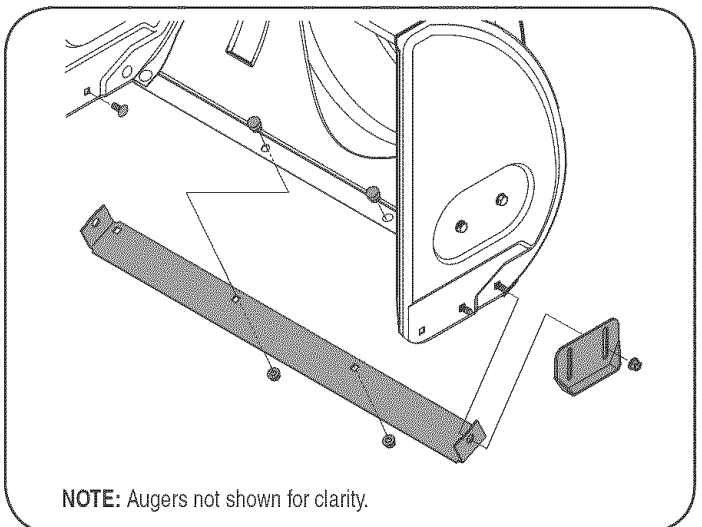


Figure 5

MAINTENANCE

Auger Belt Replacement

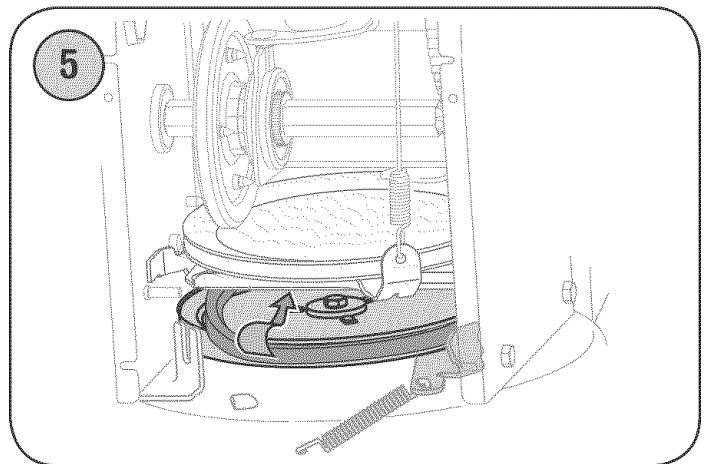
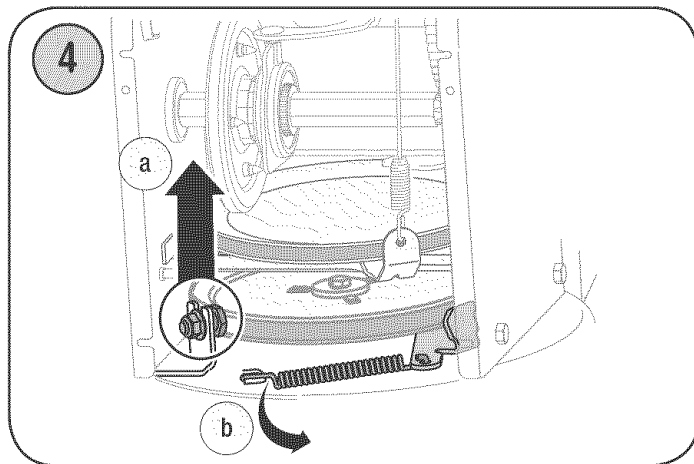
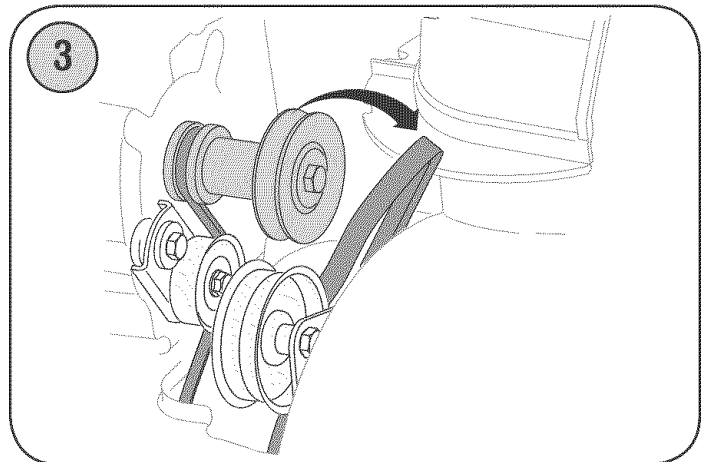
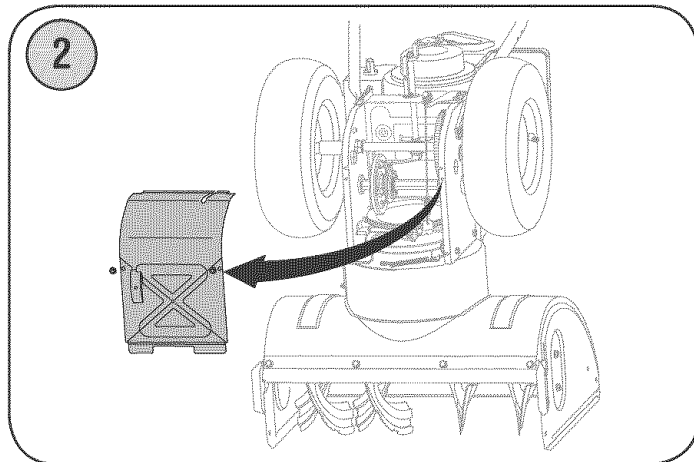
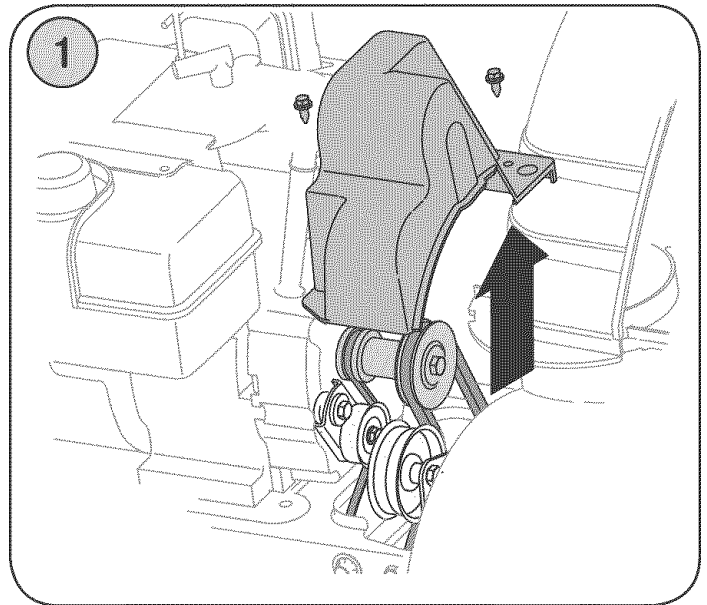
To remove and replace your snow thrower's auger belt, proceed as follows:

1. Remove the plastic belt cover on the front of the engine by removing the two self-tapping screws.

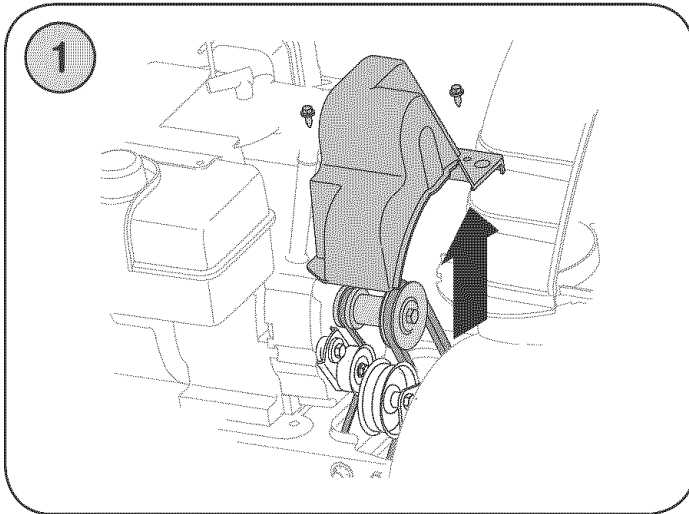
NOTE: Drain the gasoline from the snow thrower, or place a piece of plastic under the gas cap.

2. Carefully pivot the snow thrower up and forward so that it rests on the auger housing. Remove the frame cover from the underside of the snow thrower by removing four self-tapping screws which secure it.
3. Roll the auger belt off the engine pulley.
4. a. Loosen and remove the shoulder screw which acts as a belt keeper.
b. Unhook the support bracket spring from the frame.
5. Remove the belt from around the auger pulley, and slip the belt between the support bracket and the auger pulley. Reassemble auger belt by following instructions in reverse order.

NOTE: Do NOT forget to reinstall the shoulder screw and reconnect the spring to the frame after installing a replacement auger belt.



MAINTENANCE



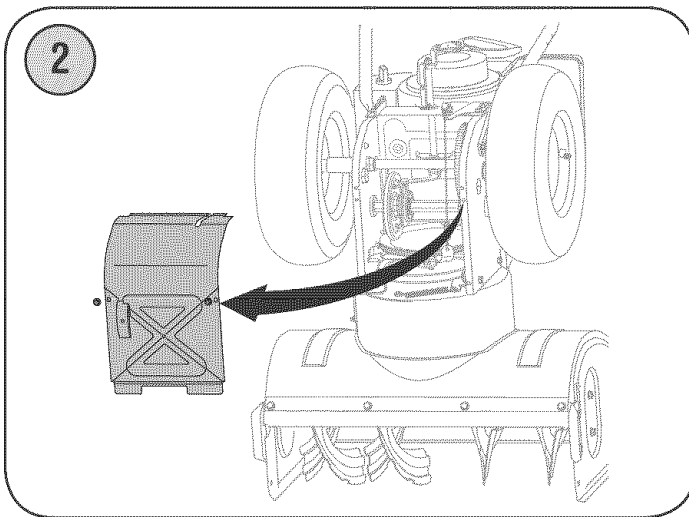
Augers

- The augers are secured to the spiral shaft with two shear pins and cotter pins. If the auger should strike a foreign object or ice jam, the snow thrower is designed so that the pins may shear. Refer to Figure 4.
- If the augers will not turn, check to see if the pins have sheared. One set of replacement shear pins has been provided with the snow thrower. When replacing pins, spray an oil lubricant into shaft before inserting new pins.

Drive Belt Replacement

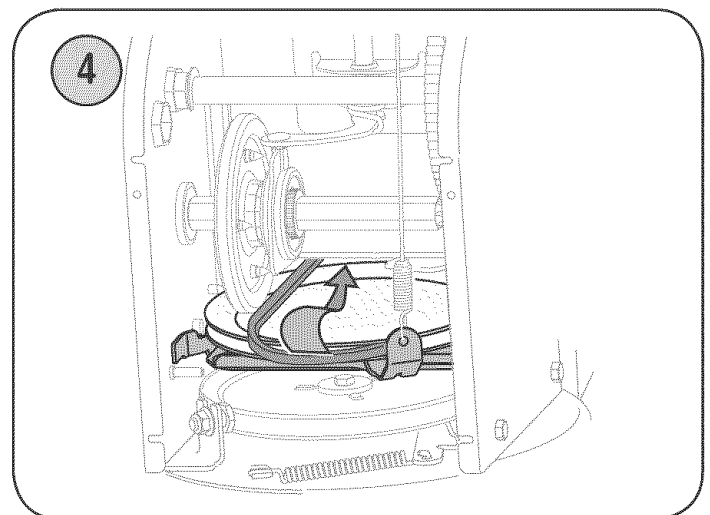
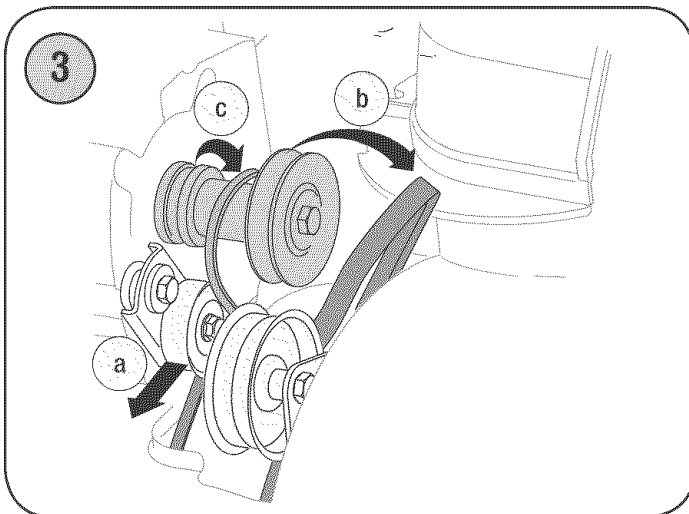
To remove and replace your snow thrower's auger belt, proceed as follows:

1. Remove the plastic belt cover on the front of the engine by removing the two self-tapping screws.
- Drain the gasoline from the snow thrower, or place a piece of plastic under the gas cap.
- Carefully pivot the snow thrower up and forward so that it rests on the auger housing.
2. Remove the frame cover from the underside of the snow thrower by removing four self-tapping screws which secure it.
3. a. Grasp the idler pulley and pivot it toward the right.
b. Roll the auger belt off the engine pulley.
c. Lift the drive belt off engine pulley.
4. Slip the drive belt off the pulley and between friction wheel and friction wheel disc.
- Remove and replace belt in the reverse order.



Friction Wheel Removal

If the snow thrower fails to drive with the drive control engaged, and performing the drive control cable adjustment on page 19 fails to correct the problem, the friction wheel may need to be replaced. Follow the instructions below. Examine the friction wheel for signs of wear or cracking and replace if necessary



MAINTENANCE

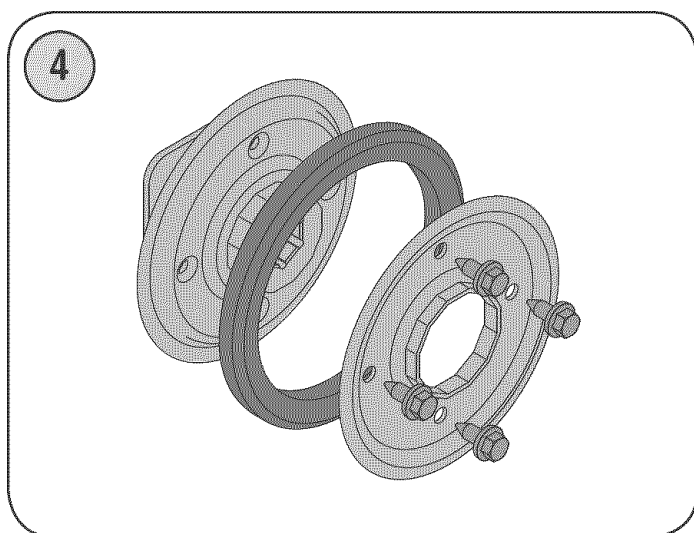
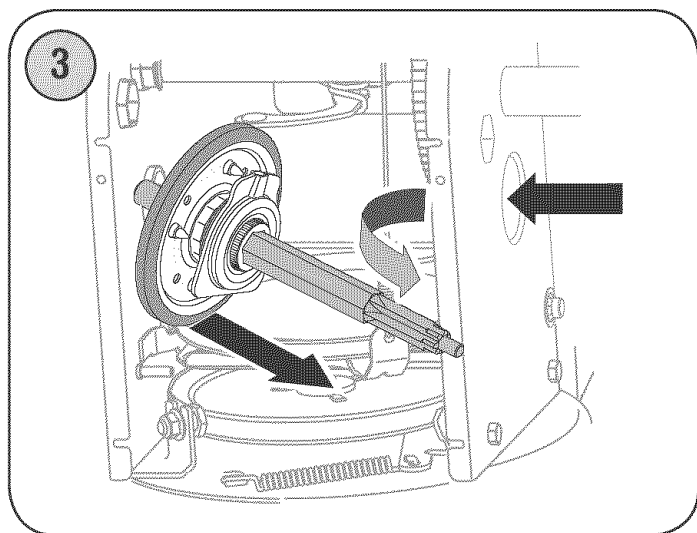
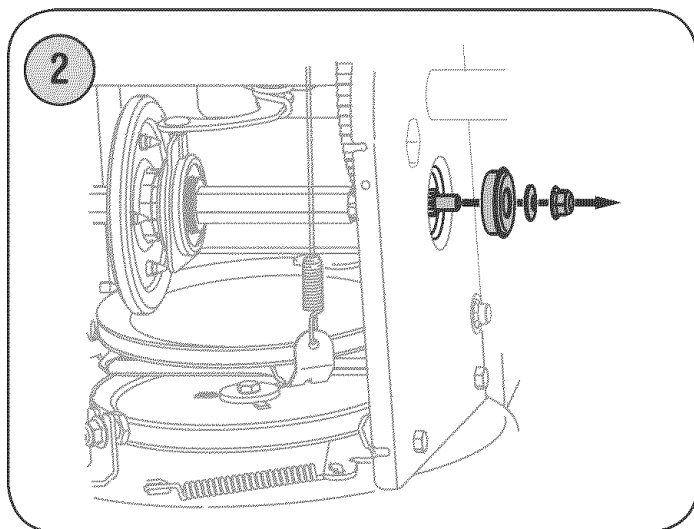
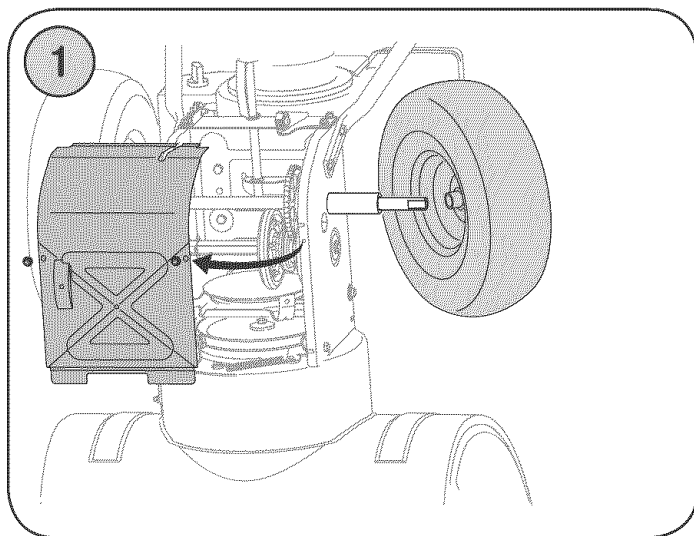
- Place the shift lever in third Forward (F3) position.
 - Drain the gasoline from the snow thrower, or place a piece of plastic under the gas cap.
 - Carefully pivot the snow thrower up and forward so that it rests on the auger housing.
1. a. Remove the frame cover from the underside of the snow thrower by removing four self-tapping screws which secure it.
b. Remove the right-hand wheel by removing the screw and bell washer which secure it to the axle.
 2. Carefully remove the hex nut and washer which secures the hex shaft to the snow thrower frame and lightly tap the shaft's end to dislodge the ball bearing from the right side of the frame.
 3. Carefully position the hex shaft downward and to the left before carefully sliding the friction wheel assembly off the shaft.

NOTE: If you're replacing the friction wheel assembly as a whole, discard the worn part and slide the new part onto the hex shaft. Follow the steps above in reverse order to reassemble components. If you're disassembling the friction wheel and replacing only the rubber ring, proceed as follows:

4. Remove the four screws which secure the friction wheel's side plates together.
- Remove the rubber ring from between the plates. and reassemble the side plates with a new rubber ring.

NOTE: When reassembling the friction wheel assembly, tighten each screw only one rotation before turning the wheel clockwise and proceeding with the next screw. Repeat this process several times to ensure the plates are secured with equal force.

- Slide the friction wheel assembly back onto the hex shaft and follow the steps above in reverse order to reassemble components.



MAINTENANCE

Checking Engine Oil

1. Be sure engine is upright and level
2. Unscrew oil fill cap from oil filler tube and wipe dipstick clean. See Figure 7.
3. Screw oil fill cap back into oil filler tube. Tighten securely.
4. Unscrew and remove oil fill cap from oil filler tube. Note oil level. If oil reading on dipstick is below "ADD" mark, slowly add oil to reach "FULL" level. See Figure 7.
5. Screw oil fill cap back into oil filler tube. Tighten securely.
6. Wipe away any spilled oil.

Changing Engine Oil

To avoid engine damage, it is important to:

- Check oil level before each use and every five operating hours.
- Change oil after first two (2) operating hours and every 25 operating hours thereafter.
- Engine should still be warm but not hot from recent use.

1. Locate the oil drain plug. See Figure 6.
2. Be sure the gas cap is on and is tightened securely.
3. Clean area around oil drain plug. See Figure 6.
4. Place approved recyclable oil container under oil drain plug.
5. Remove oil drain plug and drain oil.

NOTE: Used oil must be disposed of at a proper collection center.

6. Install oil drain plug and tighten securely.
7. Refill the engine with recommended oil. See **Recommended Oil Usage** chart. The engine's oil capacity is **26 ounces**.
8. Wipe away any spilled oil.

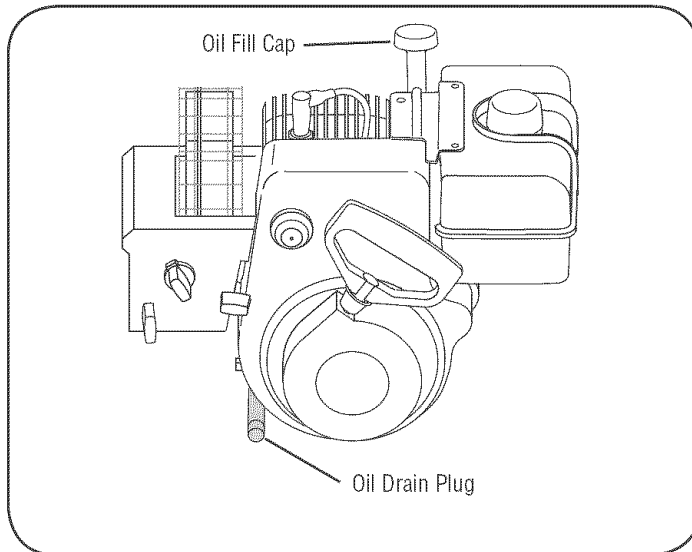


Figure 6

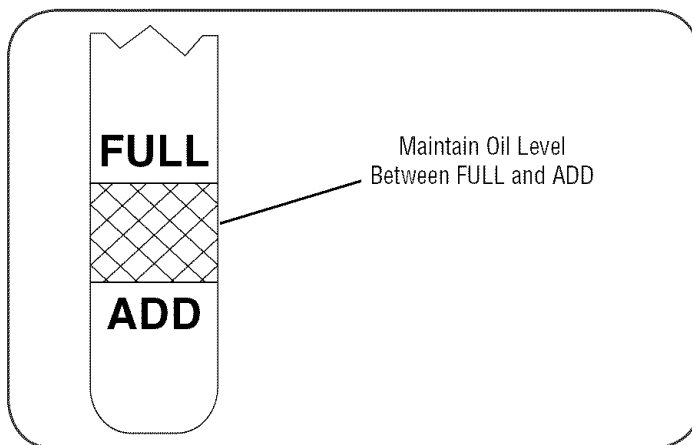


Figure 7

Recommended Oil Usage										
				Non-Multi Grade SAE 30						
Multi Grade SAE 5W-30 or SAE 10W-30										
Synthetic Multi Grade SAE 0W-30										
-20°F	0°F	20°F	32°F	40°F	60°F	80°F	100°F			
-30°C	-20°C	-10°C	0°C	10°C	20°C	30°C	40°C			

MAINTENANCE

Checking Spark Plug

Check spark plug yearly or every 100 operating hours

1. Clean area around spark plug.
2. Remove and inspect spark plug.
3. Replace spark plug if porcelain is cracked or if electrodes are:
Pitted, burned or fouled with deposits
4. Check electrode gap with a feeler gauge and set gap to .030
(0.76mm) if necessary. See Figure 8.
5. Reinstall spark plug and tighten securely.

NOTE: A resistor spark plug must be used for replacement. Contact a Sears Parts and Repair Center for a replacement spark plug.

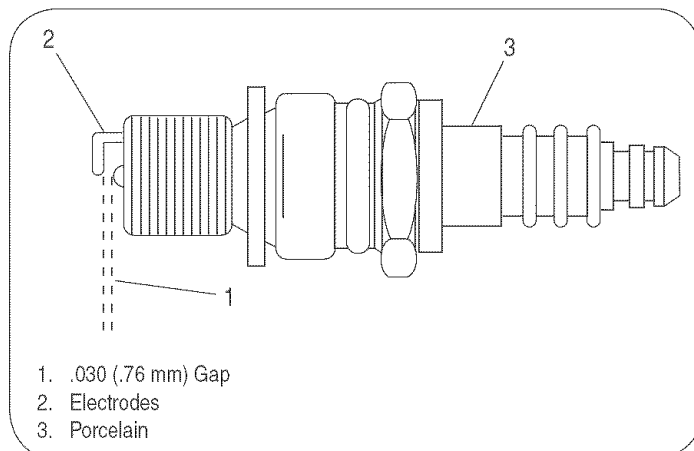


Figure 8

Carburetor

If you suspect your carburetor needs adjusting, see a Sears Parts and Repair Center. Engine performance should not be affected at altitudes up to 7,000 feet (2,134 meters). For operation at higher elevations, contact a Sears Parts and Repair Center.

Engine Speed



WARNING: Avoid serious injury or death, **DO NOT** modify engine in any way. Tampering with the governor setting can cause the engine and equipment to operate at unsafe speeds. **NEVER** tamper with factory setting of engine governor. Running the engine faster than the speed set at the factory is dangerous.

SERVICE AND ADJUSTMENTS

Auger Control Adjustment

Refer to Auger Control Test on Page 12 to adjust the auger control.

Drive Control Adjustment



WARNING: Never attempt to make any adjustments while the engine is running, except where specified in this operator's manual.

When the drive control is released and in the disengaged "up" position, the cable should have very little slack. It should NOT be tight.

Check the adjustment of the drive control as follows:

1. With the drive control released, push the snow thrower gently forward. The unit should roll freely.
2. Engage the drive control and gently attempt to push the snow thrower forward. The wheels should not turn. The unit should not roll freely.
3. With the drive control released, move the shift lever back and forth between the R2 position and the F6 position several times. There should be no resistance in the shift lever.
4. If any of the above tests failed, the drive cable is in need of adjustment. Proceed as follows:
5. Loosen the lower hex nut on the drive cable bracket. See Figure 9.
6. Position the bracket upward to provide more slack (or downward to increase cable tension).
7. Retighten the upper hex nut.

Chute Assembly Adjustment

The distance snow is thrown can be adjusted by changing the angle of the chute assembly. To do so:

1. Stop the engine by removing the ignition key and loosen the plastic wing knob found on the left side of the chute assembly.
2. Pivot the chute upward or downward before retightening the wing knob. See Figure 10.

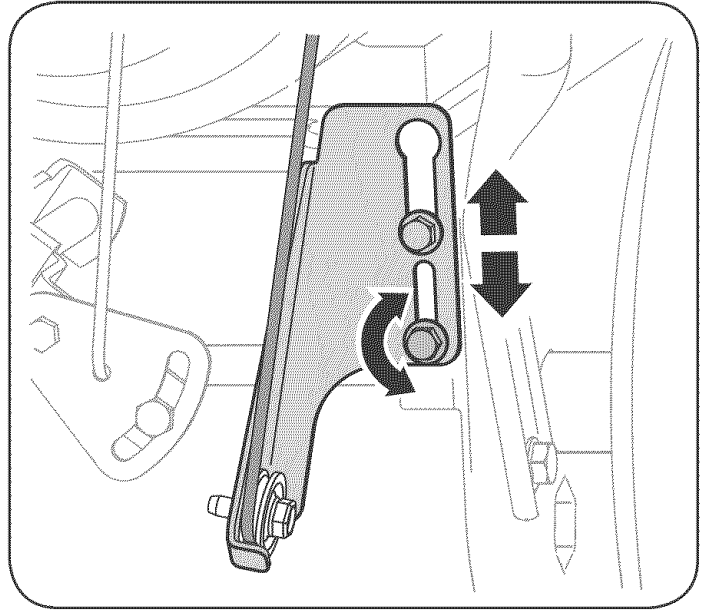


Figure 9

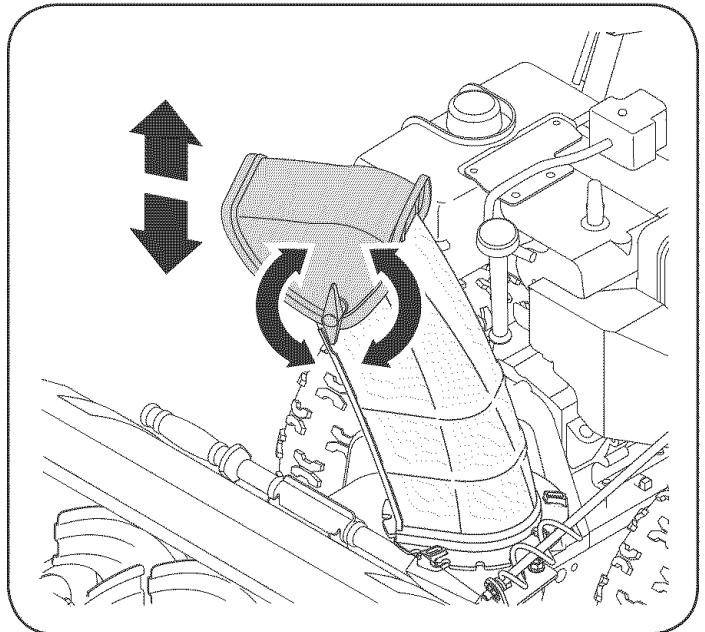


Figure 10

SERVICE AND ADJUSTMENTS

Skid Shoe Adjustment

The space between the skid shoes and the ground can be adjusted.

- For close snow removal on a smooth surface, raise skid shoes on the auger housing.
- For snow removal on a rough surface such as a gravel driveway, lower the skid shoes on the auger housing.

To adjust the skid shoes:

1. Place a block of wood (2 x 4) beneath the shave plate to temporarily raise the snow thrower's auger housing off the ground.
2. Loosen the four hex nuts (two on each side) and carriage bolts. Move skid shoes to desired position. See Figure 11.
3. Retighten nuts and bolts securely.
4. Carefully remove the wood block. Make certain the entire bottom surface of skid shoe is against the ground to avoid uneven wear on the skid shoes. Readjust if necessary.

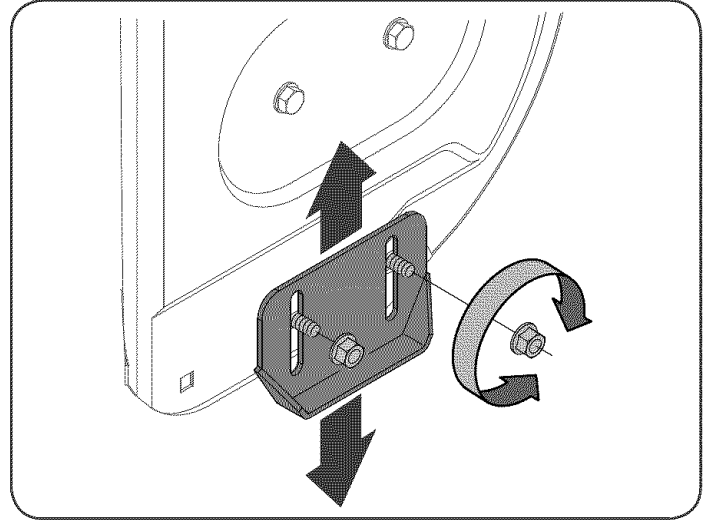


Figure 11

Chute Bracket Adjustment

If the spiral at the bottom of the chute directional control is not fully engaging with the chute assembly, the chute bracket can be adjusted.

To do so:

1. Loosen the two nuts which secure the chute bracket and reposition it slightly. See Figure 12.
2. Retightening the nuts.

Shift Cable

If the full range of speeds (forward and reverse) cannot be achieved, refer to the figures to the right and adjust the shift cable as follows:

1. Place the shift lever in the **fastest** forward speed position.
2. Loosen the hex nut on the shift cable index bracket. See Figure 13.
3. Pivot the bracket downward to take up slack in the cable.
4. Retighten the hex nut.

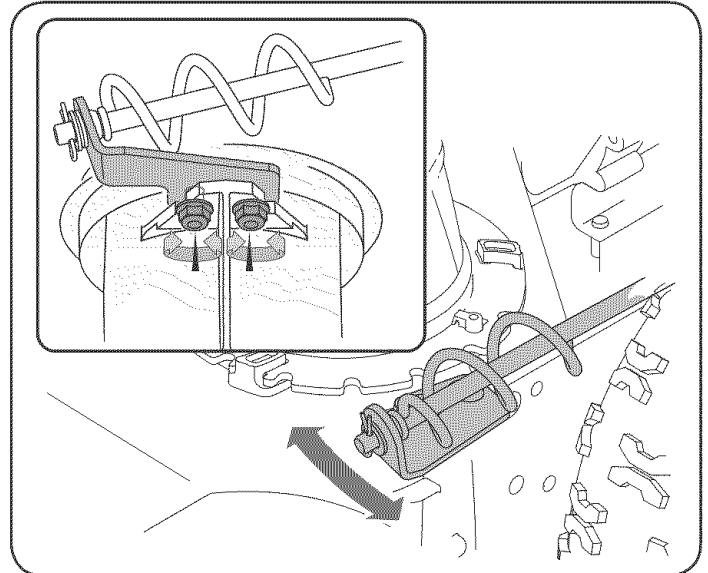


Figure 12

Tire Pressure

Before operating, check tire pressure and reduce pressure to between 15 psi and 20 psi.

If the tire pressure is not equal in both tires, the unit may pull to one side or the other.

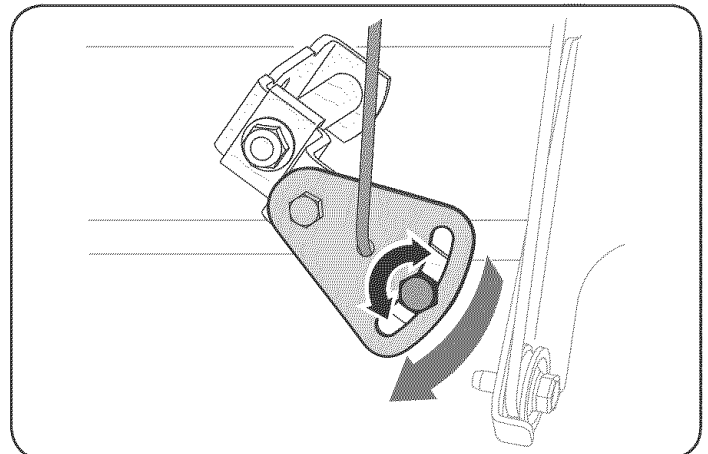
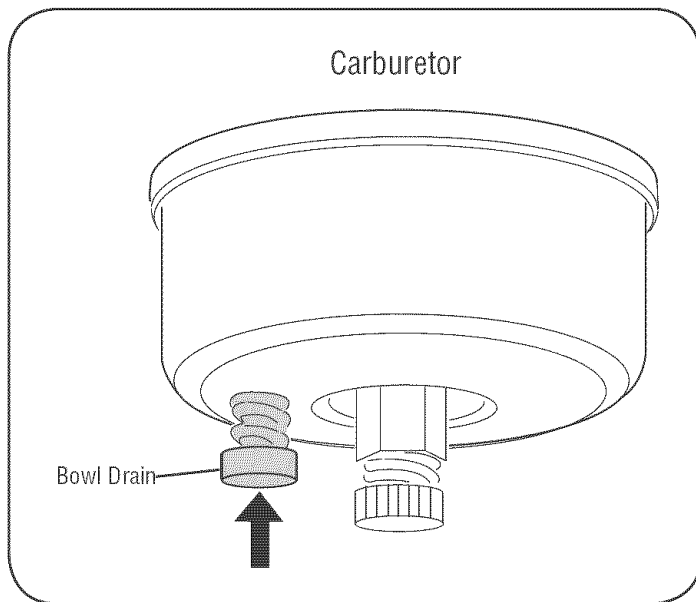


Figure 13

OFF-SEASON STORAGE



If the snow thrower will not be used for 30 days or longer, or if it is the end of the snow season when the last possibility of snow is gone, the equipment needs to be stored properly. Follow storage instructions below to ensure top performance from the snow thrower for many more years.

Preparing Engine



WARNING: Never store snow thrower with fuel in tank indoors or in poorly ventilated areas, where fuel fumes may reach an open flame, spark or pilot light as on a furnace, water heater, clothes dryer or gas appliance.

NOTE: It is important to prevent gum deposits from forming in essential fuel system parts of the engine such as the carburetor, fuel filter, fuel hose or tank during storage.

CAUTION: Alcohol blended fuels (called gasohol or using ethanol or methanol) can attract moisture which leads to separation and formation of acids during storage. Acidic gas can damage the fuel system of an engine while in storage.

To avoid engine problems, the fuel system should be emptied before storage for 30 days or longer. Follow these instructions to prepare your snow thrower for storage:



WARNING: Drain fuel into an approved container outdoors, away from any open flame. Be certain engine is cool. Do not smoke. Fuel left in engine during warm weather deteriorates and will cause serious starting problems.

1. Remove all gasoline from the carburetor and the fuel tank to prevent gum deposits from forming on these parts and harming the engine.
2. Run the engine until the fuel tank is empty and it stops due to lack of fuel.
3. Drain carburetor by pressing upward on bowl drain, located below the carburetor cover. See figure at left.



WARNING: Do not drain carburetor if using fuel stabilizer. Never use engine or carburetor cleaning products in the fuel tank or permanent damage may occur.

NOTE: Fuel stabilizer (such as STA-BIL) is an acceptable alternative in minimizing the formation of fuel gum deposits during storage. Add stabilizer to gasoline in fuel tank or storage container. Always follow mix ratio found on stabilizer container. Run engine at least 10 minutes after adding stabilizer to allow it to reach the carburetor. Do not drain carburetor if using fuel stabilizer.

4. Remove the spark plug and pour one (1) ounce of engine oil through the spark plug hole into the cylinder. Cover spark plug hole with a rag and crank the engine several times to distribute the oil. Replace spark plug.

Preparing Snow Thrower

1. When storing the snow thrower in an unventilated or metal storage shed, care should be taken to rustproof the equipment. Using a light oil or silicone, coat the equipment, especially any chains, springs, bearings and cables.
2. Remove all dirt from exterior of engine and equipment.
3. Follow lubrication recommendations in the Maintenance section of this manual.
4. Store equipment in a clean, dry area.

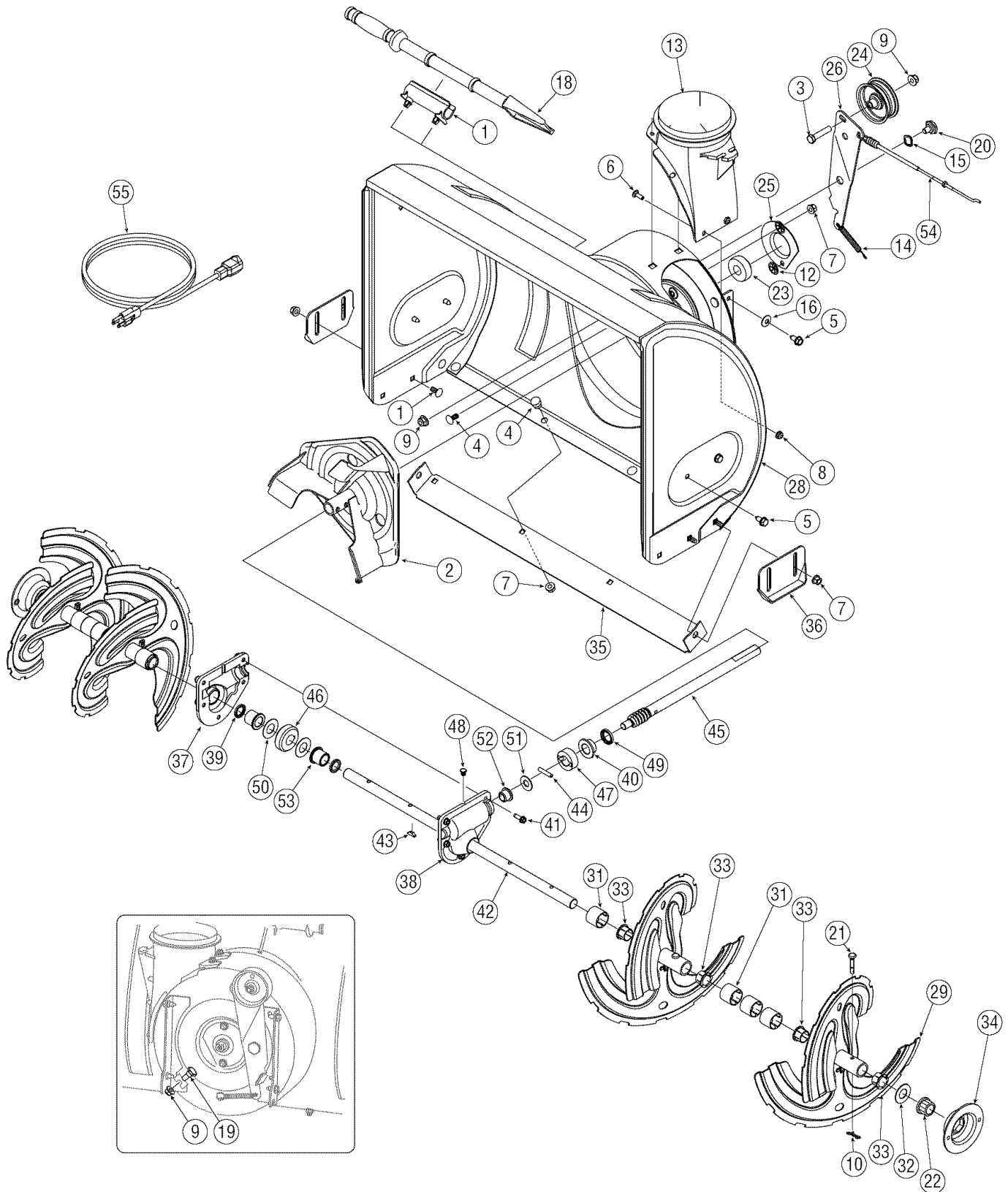
TROUBLESHOOTING

Problem	Cause	Remedy
Engine fails to start	<ol style="list-style-type: none"> 1. Choke not in ON position. 2. Spark plug wire disconnected. 3. Fuel tank empty or stale fuel. 4. Engine not primed. 5. Faulty spark plug. 6. Blocked fuel line. 7. Safety key not in ignition on engine. 	<ol style="list-style-type: none"> 1. Move choke to ON position. 2. Connect wire to spark plug. 3. Fill tank with clean, fresh gasoline. 4. Prime engine as instructed in "Operating Your Snow Thrower". 5. Clean, adjust gap, or replace. 6. Clean fuel line. 7. Insert key fully into the switch.
Engine runs erratic	<ol style="list-style-type: none"> 1. Unit running on CHOKE. 2. Blocked fuel line or stale fuel. 3. Water or dirt in fuel system. 4. Carburetor out of adjustment. 	<ol style="list-style-type: none"> 1. Move choke lever to OFF position. 2. Clean fuel line; fill tank with clean, fresh gasoline. 3. Drain fuel tank. Refill with fresh fuel. 4. Contact Sears Parts & Repair Center.
Engine overheats	<ol style="list-style-type: none"> 1. Carburetor not adjusted properly. 	<ol style="list-style-type: none"> 1. Contact Sears Parts & Service Center.
Excessive Vibration	<ol style="list-style-type: none"> 1. Loose parts or damaged auger. 	<ol style="list-style-type: none"> 1. Stop engine immediately and disconnect spark plug wire. Tighten all bolts and nuts. If vibration continues, have unit serviced by a Sears Parts & Repair Center.
Loss of power	<ol style="list-style-type: none"> 1. Spark plug wire loose. 2. Gas cap vent hole plugged. 3. Exhaust port plugged. 	<ol style="list-style-type: none"> 1. Connect and tighten spark plug wire. 2. Remove ice and snow from gas cap. Be certain vent hole is clear. 3. Contact Sears Parts & Repair Center.
Unit fails to propel itself	<ol style="list-style-type: none"> 1. Drive control cable in need of adjustment. 2. Drive belt loose or damaged. 	<ol style="list-style-type: none"> 1. Adjust drive control cable. Refer to Adjustments. 2. Replace drive belt.
Unit fails to discharge snow	<ol style="list-style-type: none"> 1. Chute assembly clogged. 2. Foreign object lodged in auger. 3. Auger control cable in need of adjustment. 4. Auger belt loose or damaged. 5. Shear pin(s) sheared. 	<ol style="list-style-type: none"> 1. Stop engine immediately and disconnect spark plug wire. Clean chute assembly and inside of auger housing with clean-out tool or a stick. 2. Stop engine immediately and disconnect spark plug wire. Remove object from auger with clean-out tool or a stick. 3. Refer to Service & Adjustments section. 4. Refer to Service & Adjustments section. 5. Replace with new shear pin(s).

NOTE: This section addresses minor service issues. For further details, contact Sears service information line by calling 1-800-4-MY-HOME.

NOTES

PARTS LIST



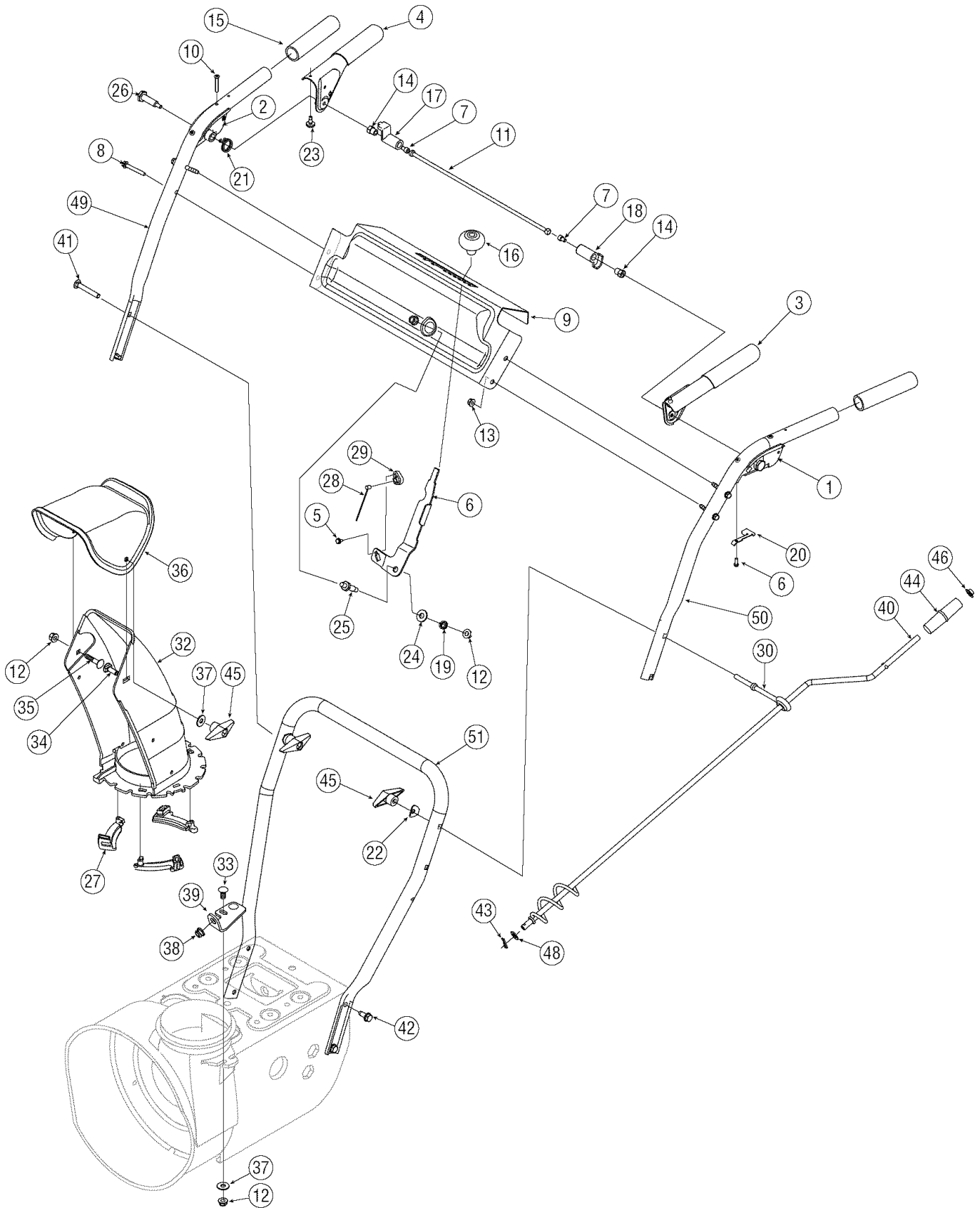
PARTS LIST

Craftsman 9 HP Snow Thrower Model 247.88190

1.	731-2635	Snow Removal Tool Mount
2.	684-04057	Impeller Assembly, 12" Dia.
3.	710-0347	Hex Screw, 3/8-16, 1.75, Gr5
4.	710-0451	Bolt, Carriage, 5/16-18, .750 Gr1
5.	710-0604A	Screw, 5/16-18, 0.625
6.	710-0703	Screw, Carriage, 1/4-20, .750, Gr5
7.	712-04063	Nut, Flange Lock, 5/16-18, Nylon
8.	712-04064	Nut, Flange Lock, 1/4-20, Nylon
9.	712-04065	Nut, Flange Lock, 3/8-16, Nylon
10.	714-04040	Cotter Pin, Bow-tie
11.	725-0157	Cable, Tie, 3/16 x .05 x 7.4
12.	726-04012	Nut, Push-on, .25 Dia
13.	731-04705	Chute, Adapter 5" Dia
14.	732-0611	Spring, Extension, .38 OD x 3.6
15.	736-0174	Washer, Wave, .625 x .885 x .015
16.	736-0159	Washer, .349 x .879 x .063
17.	736-0463	Washer, Flat, .25 x .630 x .0515
18.	731-2643	Snow Removal Tool
19.	738-0143	Screw, Shoulder, .498 x .340, 3/8-16
20.	738-0281	Screw, Shoulder, .625 x .17, 3/8-16
21.	738-04124A	Shear Pin, .25 x 1.50
22.	741-0245	Bearing, Hex Flange x .75 ID
23.	741-0309	Bearing, Ball, .75 ID x 1.85 OD
24.	756-0981a	Flat Pulley, Idler, 2.75 OD
25.	790-00075	Housing, Bearing, 1.85 ID
26.	790-00080	Bracket, Auger Idler w/ Brake
27.	618-04173	Gearbox Assembly, Auger, 28"
28.	684-04073	Housing Assembly, Auger 28"

29.	684-04107	Spiral Assembly, LH
30.	684-04108	Spiral Assembly, RH
31.	731-04870	Spacer, 1.25 OD x .75 ID x 1.00
32.	736-0188	Washer, Flat, .76 x 1.49 x .06
33.	741-0493a	Bushing, Flange, .800 ID x .910 OD
34.	790-00087A	Housing, 1" Hex Bearing
35.	790-00118	Shave Plate, 2.25 x 27.66
36.	784-5580	Slide Shoe
37.	719-0319	Housing, Auger, RH Reduced
38.	719-0320	Housing, Auger, LH Reduced
39.	721-0179	Seal, Oil, .750 ID
40.	741-0662	Bearing, Flange, .75 ID x 1.00 OD x .59
41.	710-0642	Screw, Self-tapping, 1/4-20, 0.750
42.	711-04283	Axle, Auger, 28"
43.	714-0161	Key, Hi-pro 3/16 x 5/8
44.	715-04021	Pin, Dowel, .25 OD x 1.2
45.	717-04126	Shaft, Worm .75 OD
46.	717-0528A	Gear, Worm 20T
47.	718-04071	Collar, Thrust
48.	721-0325	Plug, 1/4 x .437
49.	721-0327	Seal, Oil, .75 x 1 x .131
50.	736-0351	Washer, Flat, .760 ID x 1.5 OD
51.	736-3084	Washer, Flat, .51 x 1.12
52.	741-0663	Bearing, Flange, .75 ID x 1.00 OD x .925
53.	741-0661A	Bearing, Flange, .75 ID x 1.00 OD x .975
54.	746-04230	Clutch Cable, Auger, 47.23"
55.	629-0071	Extention Cord, 110V

PARTS LIST



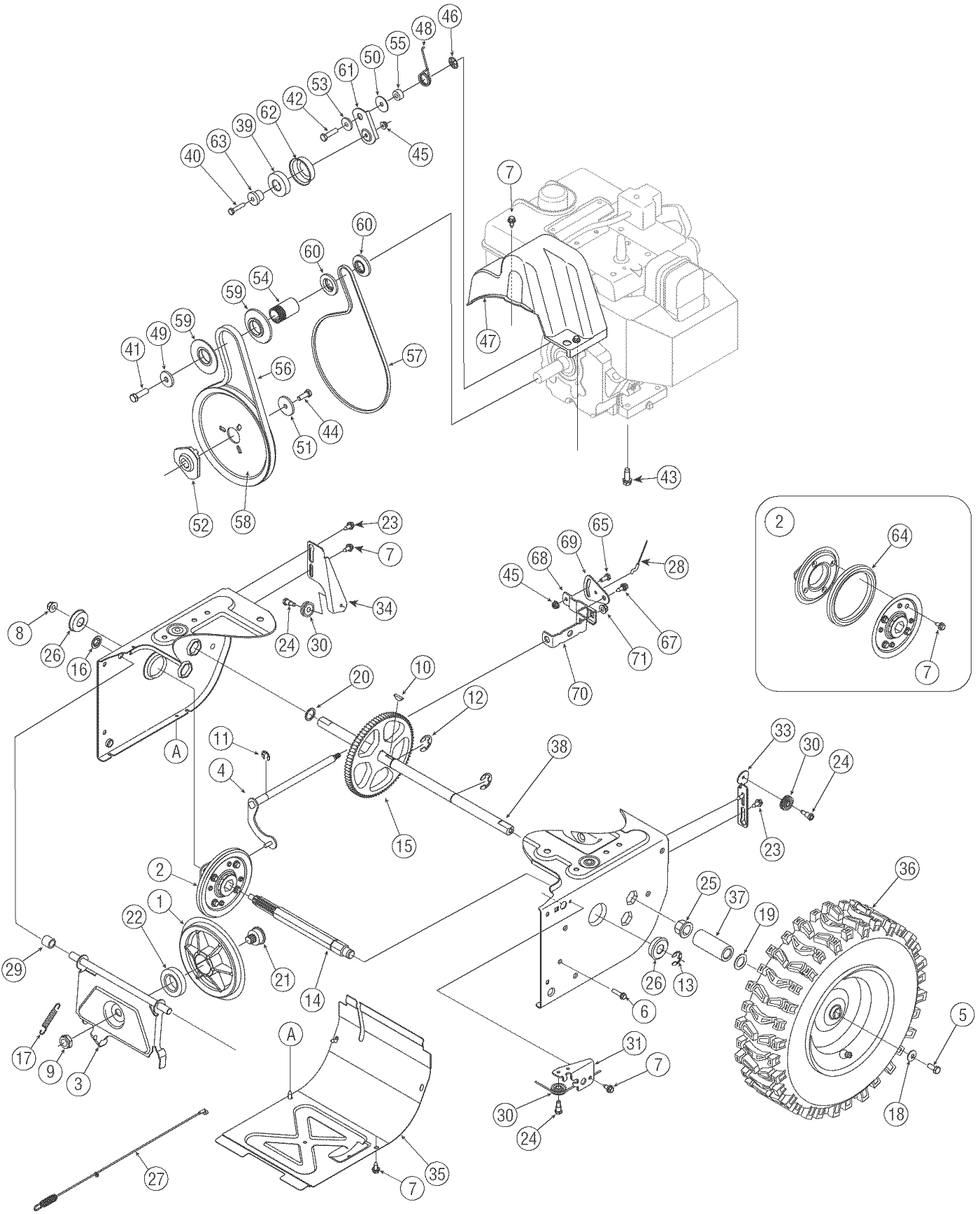
PARTS LIST

Craftsman 9 HP Snow Thrower Model 247.88190

1.	631-04133	Handle Assembly, Clutch Lock, LH
2.	631-04134A	Handle Assembly, Clutch Lock, RH
3.	684-04105A	Handle Assembly, Engagement LH
4.	684-04106A	Handle Assembly, Engagement RH
5.	710-0224	Screw, #10-16, 0.500
6.	710-04326	Screw, #8-16 x .50
7.	710-04354	Screw, 1/4-20, .375
8.	710-0606	Hex Screw, 1/4-20, 1.50, Gr5
9.	790-00219	Handle Panel (E-Style)
10.	710-1233	Screw, Machine, #10-24, 1.375
11.	711-04287	Pivot Rod
12.	712-04063	Nut, Flange Lock, 5/16-18, GrF, Nylon
13.	712-04064	Nut, Flange Lock, 1/4-20, GrF, Nylon
14.	712-04081A	Nut, Hex, 1/4-20, Shoulder
15.	720-0274	Grip, 1.0 ID x 5.0
16.	720-04039	Knob, Shift
17.	731-04894A	Lock Plate
18.	731-04896A	Cam, Clutch Lock
19.	732-0193	Spring, Compression, .39x.60 x .88
20.	732-04219	Spring, Clutch Lock
21.	732-04238	Spring, Torsion, 0.8156 ID x .3038
22.	736-0451	Washer, Saddle, 320 x .93 x .060
23.	735-0199A	Bumper, Rubber, .62 OD x .22
24.	736-0262	Washer, Flat, .385 x .870 x .092
25.	738-04118	Bolt, Shoulder, 5/16-18 x 0.905, Special
26.	738-04122	Screw, Shoulder, .437 x 1.345, 1/4-20

27.	731-04869	Chute, Flange Keeper
28.	746-04228	Cable, Speed Selector
29.	746-0605	Houlder, Cable Barrel, LH
30.	747-04263	Eye Bolt, Chute Crank
31.	790-00202	Shift Lever
32.	731-04912A	Chute, Lower, 5.0 Diameter
33.	710-0276	Bolt, Carriage, 5/16-18, 1.0
34.	710-04071	Bolt, Carriage, 5/16-18, 1.0, Custom
35.	710-0451	Bolt, Carriage, 5/16-18, .750
36.	731-04426A	Chute, Upper, w/ Label
37.	736-0159	Washer.349 ID x .879 OD x .063
38.	741-0475	Bushing, Plastic, .380
39.	784-5647	Bracket, Chute Crank
40.	684-04104	Crank Assembly, Chute
41.	710-0449	Screw, Carriage, 5/16-18, 2.25, Gr5
42.	710-1260A	Screw, 5/16-18, 0.75, Gr5
43.	714-0104	Pin, Cotter, .072 x 1.13
44.	720-0201A	Crank Knob, 1.0 Diameter x 3.2, Black
45.	720-0284	Knob Assembly, Wing Nut, 5/16-18
46.	726-0100	Cap, Push, 3/8 Rod
47.	735-0234	Grommet, .44 ID x .94 OD x .50
48.	736-0185	Washer, Flat, .375 x .738 x .063
49.	749-04141	Handle, Upper, RH
50.	749-04142	Handle, Upper, LH
51.	749-04138	Handle, Lower

PARTS LIST



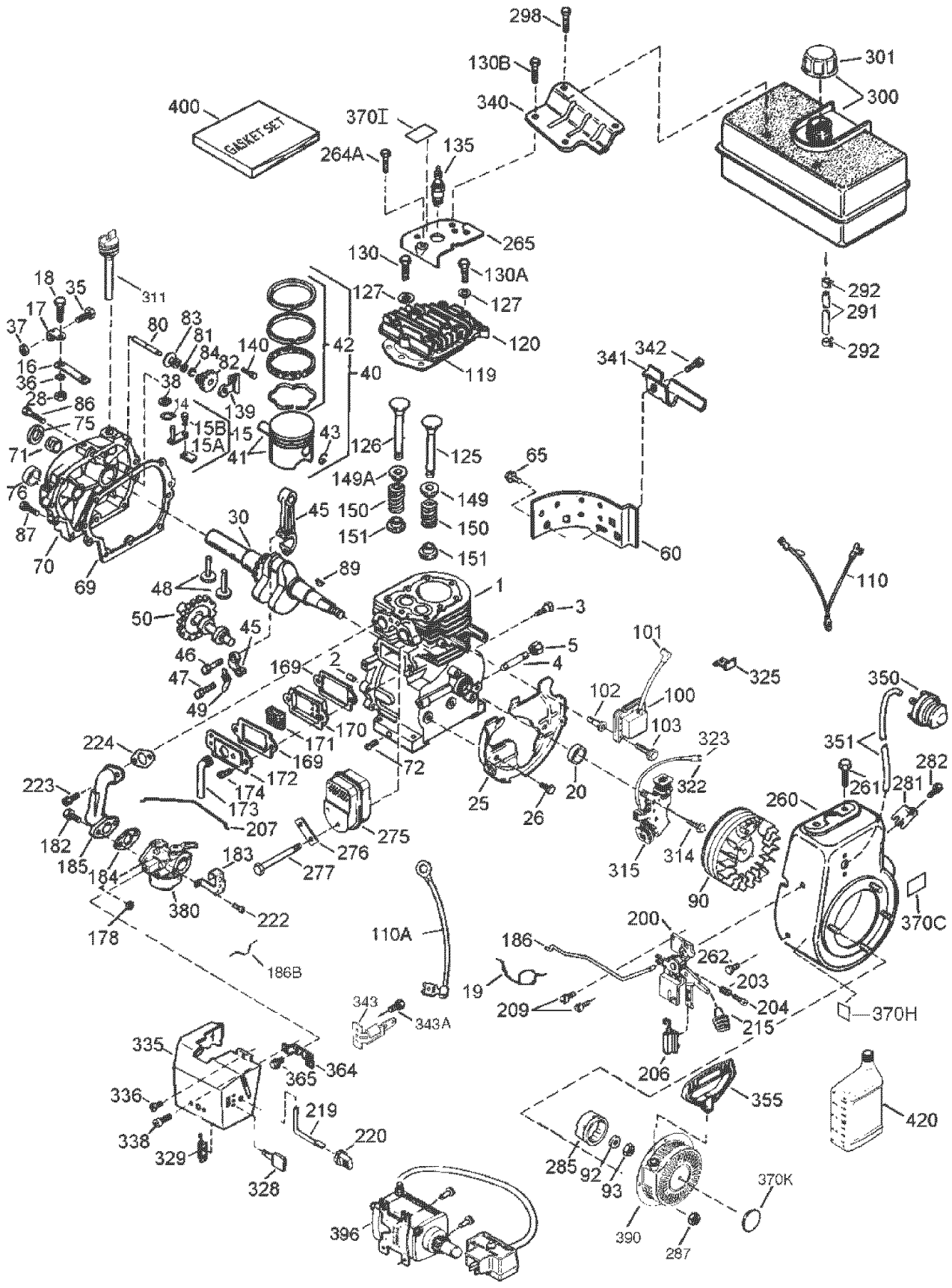
PARTS LIST

Craftsman 9 HP Snow Thrower Model 247.88190

1.	756-04177	Disc, Friction Wheel
2.	684-04153	Friction Wheel Assembly, 5.5 OD
3.	684-04154	Support Bracket Ass'y, Friction Wheel
4.	684-04156	Shift Assembly, Rod
5.	710-0627	Hex Screw, 5/16-24, .750, Gr5, Lock
6.	710-0788	Screw, 1/4-20, 1.000
7.	710-0896	Screw, 1/4-14 x .625
8.	712-04065	Nut, Flange Lock, 3/8-16, GrF, Nylon
9.	712-0413	Nut, Jam Lock, 5/8-18, Gr5, Nylon
10.	714-0126	Key, Hi Pro, 3/16 x 3/4 Dia.
11.	716-0104	E-ring, .500 Dia.
12.	716-0136	E-ring, Retaining, .875 Dia.
13.	716-0231	E-ring, .750 Dia.
14.	717-04209	Hex Shaft, .8125, 7-Tooth
15.	717-04230	Gear, 80-Tooth
16.	726-0221	Speed Nut, .500
17.	732-0264	Extension Spring
18.	736-0242	Washer, Bell, .340 x .872 x .060
19.	736-0287	Washer, Flat, .793 x 1.24 x .060
20.	736-04161	Washer, Flat, .75 x 1.00 x .060
21.	738-04164	Pin, Friction Disc
22.	741-04098	Ball Bearing, 30 x 55 x 13
23.	738-04184	Screw, Shoulder, .373 x .105, 1/4-20
24.	738-0924	Screw, 1/4-28, .375
25.	741-0245	Bearing, Hex Flange x .75 ID
26.	741-0563	Bearing, Ball, 17 x 40 x 12
27.	746-04229	Clutch Cable, Wheel, 44.95"
28.	746-04230	Clutch Cable, Auger, 47.23"
29.	748-0190	Spacer, .508 ID x .75 OD x .68
30.	756-0625	Roller, Cable
31.	790-00096	Front Guide Bracket, Auger Cable
32.	790-00180	Frame
33.	790-00206	Guide Bracket, Auger Cable
34.	790-00207	Guide Bracket, Drive Cable
35.	790-00226	Cover, Frame
36.	634-04147A	LH Wheel Assembly, 15 x 5 x 6 (X-trac)
	634-04148A	RH Wheel Assembly, 15 x 5 x 6 (X-trac)

37.	731-04873	Spacer, 1.25 x .75 x 3.0
38.	738-04168	Axle, .75 x 22"
39.	741-0919	Ball Bearing
40.	710-0106	Hex Screw, 1/4-20, 1.25, Gr5
41.	710-0191	Hex Screw, 3/8-24, 1.25, Gr8
42.	710-04520	Hex Screw, 5/16-24, 1.25, Gr5, Lock
43.	710-0654A	Screw, Sems, 3/8-16, 1.00
44.	710-1245B	Hex Screw, 5/16-24, .875, Gr8, Lock
45.	712-04064	Nut, Flange Lock, 1/4-20, GrF, Nylon
46.	726-04012	Nut, Push-on, .25 Dia.
47.	731-04792A	Cover, Belt
48.	732-04308	Spring, Torsion, .850 ID x .354
49.	736-0247	Washer, Flat, .406 x 1.25 x .157
50.	736-0362	Washer, Flat, .330 x 1.25 x .06
51.	736-0505	Washer, Flat, .34 x 1.50 x .150
52.	748-04053	Pulley, Adap, .75 Dia W/dd
53.	748-04097	Spacer, Shoulder
54.	750-04303	Spacer, .875 ID x 1.185 OD
55.	750-04477	Spacer, .340 x .750 x .360
56.	754-04050	Belt, Auger Drive
57.	754-04088	Belt, Wheel Drive
58.	756-04109	Pulley, Auger Drive, 8.1 x .5
59.	756-04113	Pulley, Half, V x 2.600 OD
60.	756-04179	Pulley, Half, 1/4-V x 1.5 OD
61.	790-00208	Idler Bracket, Wheel Drive
62.	790-00230	Sleeve, Bearing Idler
63.	750-04571	Spacer, Shoulder, .260 x .790 x .538
64.	735-04054	Rubber, Friction Wheel, 5.5 OD
65.	710-0751	Hex Screw, 1/4-20, .620, Gr5
66.	732-04311	Spring, Torsion, .750 ID x .968
67.	738-04184	Screw, Shoulder, .373 x .105, 1/4-20
68.	790-00156	Bracket, Shift Spacer
69.	790-00217	Pivot Bracket, Speed Selector
70.	790-00218	Shift Bracket, Speed Selector
71.	712-04063	Nut, Flange Lock, 5/16-18, Nylon

Tecumseh 9 H.P. Engine LH318SA-156554
Craftsman Snow Thrower Model 247.88190



**Tecumseh 9 H.P. Engine LH318SA-156554
Craftsman Snow Thrower Model 247.88190**

Ref. No.	Part No.	Description
1.	35385	Cylinder
2.	27652	Dowel Pin
3.	650820	Screw, 1/4-20 x 0.5"
5.	30969	Extension Cap
14.	28277	Washer
15.	30699C	Governor Rod
15B.	650494	Screw, 6-40 x 5/16"
16.	33454A	Governor Lever
17.	29916	Governor Lever Clamp
18.	651028	Screw, T-15, 8-32 x 7/16"
19.	34663	Speed Control Spring
20.	35319	Oil Seal
25.	37853	Blower Housing Baffle
26.	650561	Screw, 1/4-20 x 19/32"
28.	30322	Lock Nut, 8-32
30.	35980A	Crankshaft
35.	29826	Screw, 10-32 x 3/4"
36.	29918	Lock Washer
37.	29216	Lock Nut, 10-32
38.	29642	Retaining Ring
40.	40011	Piston, Pin & Ring Set (Std.)
40.	40012	Piston, Pin & Ring Set (.010" OS)
41.	40009	Piston, Pin & Ring Set (Std. incl. 43)
41.	40010	Piston, Pin & Ring Set (.010" OS incl. 43)
42.	40013	Ring Set (Std.)
42.	40014	Ring Set (.010" OS)
43.	27888	Piston Pin Retaining Ring
45.	36897	Connecting Rod Assembly (incl. 47 & 49)
47.	651033	Connecting Rod Bolt
48.	34034	Valve Lifter
49.	36896	Oil Dipper
50.	36655	Camshaft (MCR)
60.	33273A	Blower Housing Extension
65.	650128	Screw, 10-24 x 1/2"
69.	37342	Cylinder Cover Gasket
70.	35445B	Cylinder Cover (Incl. 71,75,76,80-84)
71.	35377	Crankshaft Bushing
72.	27642	Oil Drain Plug
75.	35319	Oil Seal
76.	28926	Camshaft Seal
80.	37587	Governor Shaft

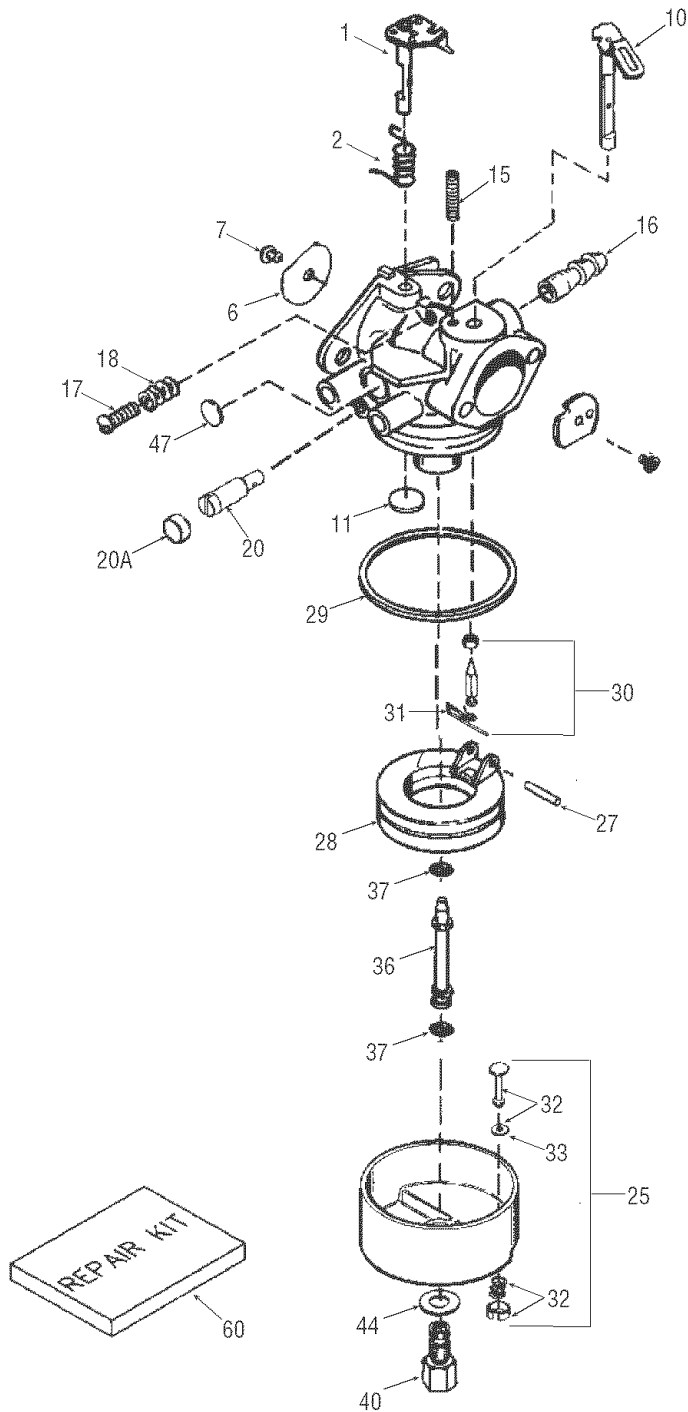
Ref. No.	Part No.	Description
81.	651080	Washer
82.	37588	Governor Gear Ass'y. (Incl. 81)
83.	30588A	Governor Spool
84.	29193	Retaining Ring
86.	650833	Screw, 1/4-20 x 1-3/16"
87.	650832	Screw, 1/4-20 x 1-11/16"
89.	32589	Flywheel Key
90.	611093	Flywheel (W/Ring Gear)
92.	650880	Lock Washer
93.	650881	Flywheel Nut
100.	35135A	Solid State Ignition (Incl. 101)
101.	610118	Spark Plug Cover
102.	651024	Solid State Mounting Stud
103.	651007	Screw, T-15, 10-24 x 15/16"
110.	35187	Ground Wire
110A.	37047	Ground Wire
119.	36448	Cylinder Head Gasket
120.	36449	Cylinder Head
125.	27878A	Exhaust Valve (Std.incl. 151)
125.	27880A	Exhaust Valve (1/32" OS incl.151)
126.	34035	Intake Valve (Std.) (Incl. 151)
127.	650691	Washer
130.	6021A	Screw, 5/16-18 x 1-1/2"
130A.	650727	Screw, 5/16-18 x 1-25/32"
130B.	651055	Screw, 5/16-18 x 39/64"
135.	35395	Resistor Spark Plug (RJ19LM)
139.	33369	Governor Gear Bracket
140.	650836	Screw, 10-24 x 1/2"
149.	27882	Valve Spring Cap
149A.	35862	Valve Spring Cap
150.	27881	Valve Spring
151.	32581	Valve Spring Keeper
169.	27896A	Valve Cover Gasket
170.	28423	Breather Body
171.	28424	Breather Element
172.	28425	Valve Cover
173.	35350	Breather Tube
174.	650128	Screw, 10-24 x 1/2"
178.	29752	Nut & Lock Washer, 1/4-28
182.	30088A	Screw, 1/4-28 x 1"
183.	34587A	Choke Bracket

**Tecumseh 9 H.P. Engine LH318SA-156554
Craftsman Snow Thrower Model 247.88190**

Ref. No.	Part No.	Description
184.	33263	Carburetor To Intake Pipe Gasket
185.	33877	Intake Pipe
186.	34667	Governor Link
186B.	36652	Choke Spring
200.	34677	Control Bracket (Incl. 19, 203, 204 & 206)
203.	31342	Compression Spring
204.	651029	Screw, T-10, 5-40 x 7/16"
206.	610973	Terminal
207.	33878	Throttle Link
209.	650821	Screw, 10-32 x 1/2"
215.	35440	Control Knob
219.	34586	Choke Rod
220.	35438	Choke Knob
222.	28820	Screw, 10-32 x 1/2"
223.	650378	Screw, T-30, 5/16-18 x 1-3/32"
224.	27915A	Intake Pipe Gasket
260.	35447A	Blower Housing
261.	650788	Screw, 5/16-18 x 3/4"
262.	651084	Screw, 5/16-18 x 9/16"
264A.	650802	Screw, 1/4-20 x 5/8"
265.	33272D	Cylinder Head Cover (Black)
275.	35056	Muffler
276.	31588	Locking Plate
277.	651002	Screw, 5/16-18 x 4-3/16"
281.	33013	Starter Bubble Cover
282.	650760	Screw, 8-32 x 3/8"
285.	35985B	Starter Cup
287.	29752	Nut & Lock Washer, 1/4-28
291.	30962	Fuel Line
292.	26460	Fuel Line Clamp
298.	650665	Screw, 1/4-15 x 7/8"
300.	34186A	Fuel Tank (Incl. 292 & 301)

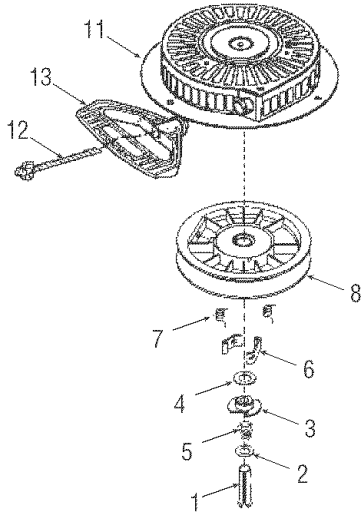
Ref. No.	Part No.	Description
301.	35355	Fuel Cap
311.	35942	Oil Fill Plug
314.	650873	Screw, 1/4-20 x 3/4"
315.	611111	Alternator Coil (18 Watt) (Incl. 322 & 323)
322.	611117	Connector Body
323.	611118	Terminal
325.	29443	Wire Clip
328.	35062	Ignition Keys
329.	610973	Terminal
335.	36547	Carburetor Cover
336.	650765	Screw, 10-32 x 1/2"
338.	28942	Screw, 10-32 x 3/8"
340.	34154	Fuel Tank Bracket
341.	34155	Fuel Tank Bracket
342.	650561	Screw, 1/4-20 x 19/32"
343.	35079A	Key Switch Bracket (Incl. 343A)
343A.	651060	Screw, 10-32 x 23/64"
350.	570682A	Primer Ass'y.
351.	32180C	Primer Line
355.	590574	Starter Handle
364.	37659	Carburetor Cover Bracket
365.	650767	Screw, 8-32 x 27/64"
370C.	36501	Primer Decal
370H.	35077	Choke Decal
370I.	37119	Warning Decal
370K.	36695	Starter Decal
380.	640052	Carburetor (Incl. 184)
390.	590749	Rewind Starter
396.	33329E	Electric Starter Motor (Optional)
400.	36450C	Gasket Set
420.	730226A	SAE 5W30, 4-Cycle Engine Oil (Quart)

**Tecumseh 9 H.P. Engine LH318SA-156554
Craftsman Snow Thrower Model 247.88190**

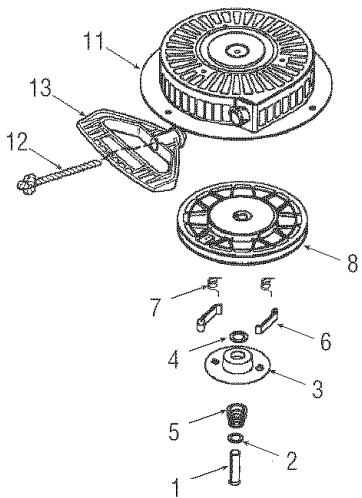


Ref. No.	Part No.	Description
0	640052	Carburetor
1	631776A	Throttle Shaft & Lever Assembly
2	631970	Throttle Return Spring
6	631778	Throttle Shutter
7	650506	Shutter Screw
10	632112	Choke Shaft & Lever Assembly
14	632174	Choke Shutter
15	630735	Choke Positioning Spring
16	632164	Fuel Fitting
17	650417	Throttle Crack Screw/Idle Speed Screw
18	630766	Tension Spring
20	640016	Idle Restrictor Screw
20A	640053	Idle Restrictor Screw Cap
25	631951	Float Bowl Ass'y (Incl. 32 & 33)
27	631024	Float Shaft
28	632765	Float
29	631028	Float Bowl "O" Ring
30	631021	Inlet Needle, Seat & Clip (Incl. 31)
31	631022	Spring Clip
32	27136A	Bowl Drain Assembly
33	27554	Drain Plunger Gasket
36	640005	Main Nozzle Tube
37	632547	"O" Ring, Main Nozzle Tube
40	640055	High Speed Bowl Nut
44	27110	Bowl Nut Washer
47	630748	Welch Plug, Idle Mixture Well
48	631027	Welch Plug, Atmospheric Vent
60	632760	Repair Kit

**Tecumseh 9 H.P. Engine LH318SA-156554
Craftsman Snow Thrower Model 247.88190**

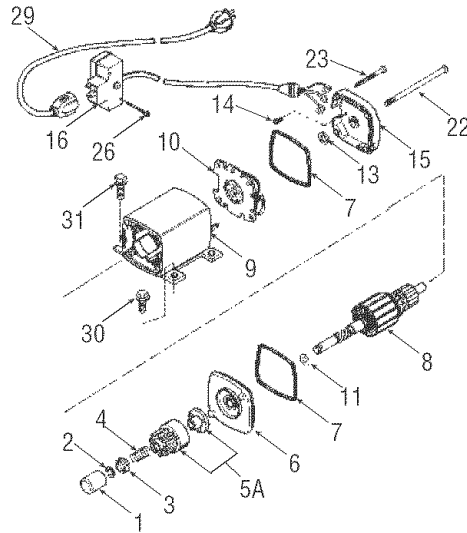


Ref. No.	Part No.	Description
0	590749	Rewind Starter
1	590599A	Spring Pin (Incl. 4)
2	590600	Washer
3	590679	Retainer
4	590601	Washer
5	590678	Brake Spring
6	590680	Starter Dog
7	590412	Dog Spring
8	590682	Pulley & Rewind Spring Assembly
11	590750A	Starter Housing Assembly
12	590535	Starter Rope (Length 98" x 9/64" dia.)
13	590574	Mitten Grip Handle (optional)



Ref. No.	Part No.	Description
0	590733	Rewind Starter
1	590599A	Spring Pin (Incl. 4)
2	590600	Washer
3	590696	Retainer
4	590601	Washer
5	590697	Brake Spring
6	590698	Starter Dog
7	590699	Dog Spring
8	590709	Pulley & Rewind Spring Assembly
11	590734A	Starter Housing Assembly
12	590535	Starter Rope (Length 98" x 9/64" dia.)
13	590574	Mitten Grip Handle (optional)

**Tecumseh 9 H.P. Engine LH318SA-156554
Craftsman Snow Thrower Model 247.88190**



Ref. No.	Part No.	Description
0	33329E	Electric Starter 110 Volt (optional)
1	33451	Dust Cover
2	33842	Retainer Ring
3	33430	Spring Retainer
4	33431	Anti-Drift Spring
5A	37050	Gear & Nut (Incl. 2)
6	35449	Drive End Cap Assembly
7	35450	"O" Ring
8	35915	Armature
9	35451B	Housing Assembly
10	35452A	Brush Card Assembly
11	35911	Thrust Washer
13	590500	Thrust Washer
14	33441	Ground Screw
15	35453	Commutator End Cap Assembly
16	35454	Switch Box Ass'y.
22	35455	Case Bolt
23	35456	Ground Screw
26	650819	Screw, 6-32 X 2-1/2"
26	651032	Screw, 12-16 x 5/8"
29	32450B	Extension Cord (10'6")
30	30063	Screw, Torx T-30, 1/4-20 X 1/2"
31	650820	Screw, 1/4-20 X 1/2"

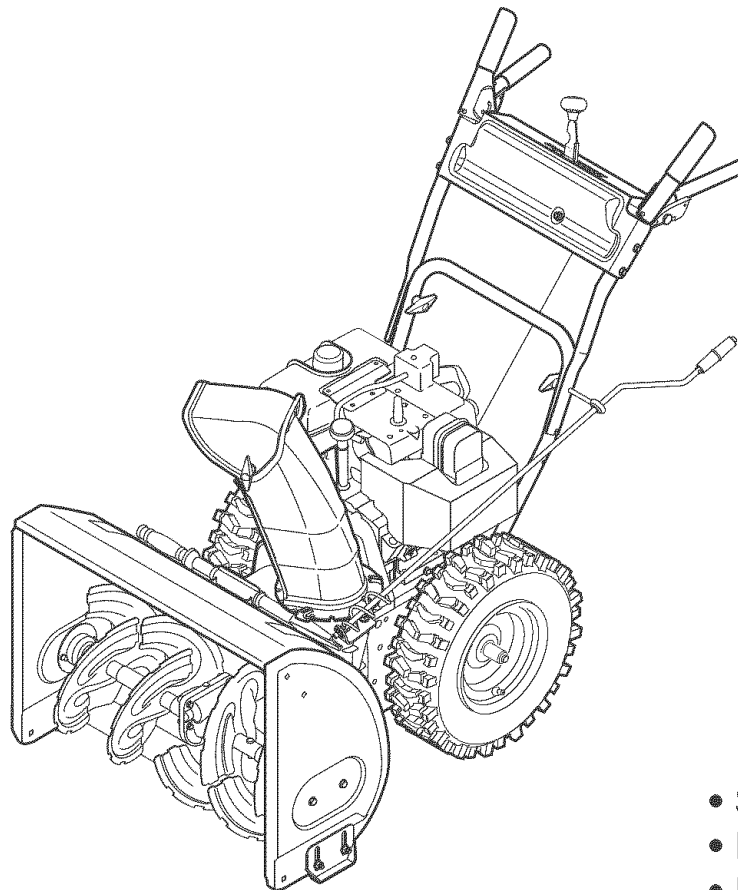
Manual del operador

CRAFTSMAN®

5,5 caballos de fuerza

MÁQUINA QUITANIEVE

Número de modelo 247.88190



PRECAUCIÓN: antes de utilizar este producto, lea este manual y siga todas las reglas de seguridad y las instrucciones de funcionamiento.

- SEGURIDAD
- MONTAJE
- FUNCIONAMIENTO
- MANTENIMIENTO
- LISTADO DE PIEZAS

Sears, Roebuck and Co., Hoffman Estates, IL 60179, U.S.A.

Visite nuestro sitio web: www.sears.com/craftsman

Nº de FORMULARIO 769-01909

06/08/2005

ÍNDICE

Declaración de garantía	Página 2	Mantenimiento	Páginas 13-18
Acuerdo de protección para reparaciones ...	Página 2	Servicio y ajustes	Páginas 19-20
Prácticas operación seguras.....	Páginas 3-5	Almacenamiento fuera de temporada.....	Página 21
Montaje	Páginas 6-7	Solución de problemas	Página 22
Instrucciones de arranque/detención	Páginas 10-11	Número de servicio	Cubierta . .
Operación	Páginas 8-12	posterior

DECLARACIÓN DE GARANTÍA

Garantía de dos años para la máquina quitanieve Craftsman

Durante dos años a partir de la fecha de compra, siempre que a esta máquina quitanieve se le realice el servicio de mantenimiento, lubricación y puesta a punto de acuerdo a las instrucciones del manual del propietario, Sears reparará sin cargo cualquier defecto de materiales o mano de obra. Si esta máquina quitanieve Craftsman se utiliza para propósitos comerciales o de alquiler, esta garantía se aplica sólo durante 30 días a partir de la fecha de compra. Esta garantía no cubre:

- Elementos desechables que se desgastan por el uso normal, incluyendo entre otros, zapatas antideslizantes, placa de raspado y bujías.
- Reparaciones necesarias debido a abuso o negligencia del operador, incluyendo abolladura del cigüeñal y falla por no realizar mantenimiento del equipo de acuerdo con las instrucciones contenidas en el manual del propietario.

EL SERVICIO DE GARANTÍA ESTÁ DISPONIBLE PARA LOS USUARIOS QUE LLEVEN LA MÁQUINA QUITANIEVE CRAFTSMAN AL CENTRO DE PARTES Y REPARACIÓN SEARS MÁS CERCANO DENTRO DE LOS ESTADOS UNIDOS.

Esta garantía es válida únicamente mientras el producto se utilice dentro de los Estados Unidos.

PARA UBICAR EL CENTRO DE PARTES Y REPARACIÓN SEARS MÁS CERCANO O PARA PROGRAMAR EL SERVICIO TÉCNICO, SIMPLEMENTE COMUNÍQUESE CON SEARS AL TELÉFONO 1-800-4-MY-HOME®.

Esta garantía le otorga derechos legales específicos; usted también puede tener otros derechos, los cuales varían de un estado a otro.

SEARS, ROEBUCK AND CO., D/817WA, HOFFMAN ESTATES, IL 60179

Acuerdos de protección sobre reparaciones

Felicitaciones por haber realizado una adquisición inteligente. El producto Craftsman® que ha adquirido está diseñado y fabricado para brindar muchos años de funcionamiento confiable. Pero como todos los productos a veces puede requerir de reparaciones. Es en ese momento cuando el disponer de un acuerdo de protección para reparaciones le puede ahorrar dinero y problemas.

A continuación se detallan los puntos incluidos en el acuerdo:

- Servicio experto prestado por nuestros 12.000 especialistas en reparaciones profesionales
- Servicio ilimitado sin cargo para las piezas y la mano de obra en todas las reparaciones cubiertas
- Reemplazo del producto si no es posible reparar el producto cubierto
- Descuento de 10% del precio normal del servicio y de las piezas relacionadas con el mismo que no estén cubiertas por el acuerdo; además, 10% de descuento del precio normal de la verificación de mantenimiento preventivo
- Ayuda rápida por teléfono – asistencia telefónica a cargo de un técnico de Sears para los productos que requieren reparación a domicilio, además de una programación conveniente para la reparación

Adquiera ahora un acuerdo de protección para reparaciones y protéjase de problemas y gastos inesperados.

Una vez adquirido el acuerdo, puede programar el servicio con tan sólo realizar una llamada telefónica. Puede llamar en cualquier momento del día o de la noche, o programar un servicio en línea. Sears dispone de más de 12.000 especialistas en reparaciones profesionales que tienen acceso a más de 4,5 millones de piezas y accesorios de gran calidad. Este es el tipo de profesionalismo en el que puede confiar para que le ayude a prolongar la vida útil del producto recientemente adquirido en los años por venir. ¡Adquiera hoy su acuerdo de protección para reparaciones!

Se aplican determinadas limitaciones y exclusiones. Para obtener información adicional y precios llame al 1-800-827-6655.

Servicio de instalación de Sears

Si desea solicitar la instalación profesional de Sears de aparatos domésticos, dispositivos para abrir portones, calentadores de agua y otros artículos domésticos importantes, en los Estados Unidos llame al 1-800-4-MY-HOME®

ESPECIFICACIONES DEL PRODUCTO

Caballos de fuerza :	9,0
Aceite del motor:	SAE 5W-30
Combustible:	Gasolina sin plomoe
Bujías:	Champion® RJ19LM
Motor:	Tecumseh LH318SH

NÚMERO DE MODELO

Número de modelo

Número de serie.....


Fecha de compra

Registre encima el número del modelo, el número de serie y la fecha de compra

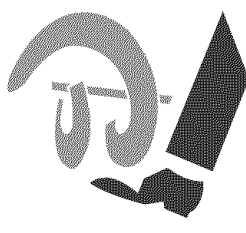
ETIQUETAS DE SEGURIDAD

⚠ DANGER

1. KEEP AWAY FROM ROTATING IMPELLER AND AUGER. CONTACT WITH IMPELLER OR AUGER CAN AMPUTATE HANDS AND FEET.
2. USE CLEAN-OUT TOOL TO UNCLOG DISCHARGE CHUTE.
3. DISENGAGE CLUTCH LEVERS, STOP ENGINE, AND REMAIN BEHIND HANDLES UNTIL ALL MOVING PARTS HAVE STOPPED BEFORE UNCLOGGING OR SERVICING MACHINE.
4. TO AVOID THROWN OBJECTS INJURIES, NEVER DIRECT DISCHARGE AT BYSTANDERS. USE EXTRA CAUTION WHEN OPERATING ON GRAVEL SURFACES.
5. READ OPERATOR'S MANUAL.

CLEAN-OUT TOOL 

⚠ DANGER



AVOID INJURY FROM ROTATING AUGER - KEEP HANDS, FEET AND CLOTHING AWAY.

⚠ DANGER



- NEVER PUT HAND IN CHUTE. CONTACT WITH ROTATING PARTS CAN AMPUTATE FINGERS AND HANDS.
- SHUT OFF ENGINE AND WAIT UNTIL ALL MOVING PARTS HAVE STOPPED BEFORE UNCLOGGING.
- USE CLEAN-OUT TOOL OR WOODEN STICK TO UNCLOG DISCHARGE CHUTE.



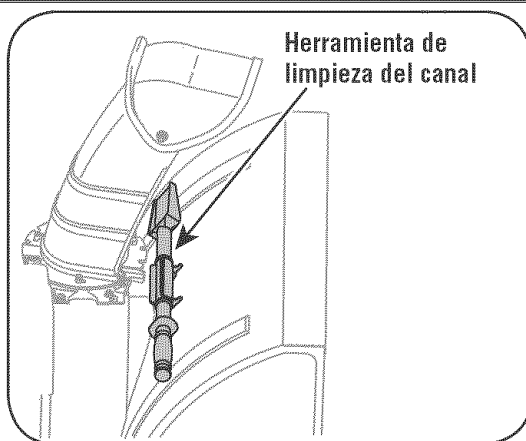
WARNING

This symbol points out important safety instructions which, if not followed, could endanger the personal safety and/or property of yourself and others. Read and follow all instructions in this manual before attempting to operate this machine. Failure to comply with these instructions may result in personal injury. When you see this symbol.

HEED ITS WARNING!

Your Responsibility

Restrict the use of this power machine to persons who read, understand and follow the warnings and instructions in this manual and on the machine.



Hay una herramienta de limpieza del canal ajustada a la parte superior de la caja de la barrena con un pasador de ensamblado. La herramienta está diseñada para limpiar el hielo y la nieve del montaje de un canal. Este producto se sujeta mediante una unión de cable en la fábrica. Corte la unión de cable antes de operar la máquina quitanieve.



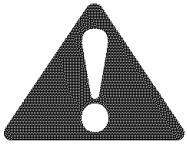
ADVERTENCIA: Never use your hands to clear a nunca use sus manos para liberar un montaje de canal tapado. Apague el motor y permanezca detrás de las manijas hasta que todas las partes móviles se hayan detenido antes de utilizar la herramienta de limpieza para limpiar el montaje del cana.

PRÁCTICAS DE OPERACIÓN SEGURAS



ADVERTENCIA: el escape del motor de este producto, algunos de sus componentes y algunos componentes del vehículo contienen o emiten productos químicos que el estado de California considera que pueden producir cáncer, defectos de nacimiento u otros problemas reproductivos.

PELIGRO: Esta máquina está diseñada para ser utilizada respetando las reglas de seguridad contenidas en este manual. Al igual que con cualquier tipo de equipo eléctrico, un descuido o error de parte del operador puede producir lesiones graves. Esta máquina es capaz de amputar manos y pies y de arrojar objetos con gran fuerza. De no respetar las instrucciones de seguridad siguientes se pueden producir lesiones graves o la muerte.



ADVERTENCIA: este símbolo indica instrucciones de seguridad importantes que de no seguirse, se podría poner en peligro la seguridad personal y/o la propiedad suya y de terceros. Lea y siga todas las instrucciones en este manual antes de iniciar la operación de esta máquina. En caso de no seguir estas instrucciones podría provocar lesiones personales. Cuando vea este símbolo **SIGA LA ADVERTENCIA.**

Su responsabilidad: esta máquina eléctrica sólo pueden usarla las personas que lean, comprendan y respeten las advertencias e instrucciones que aparecen en este manual y en la máquina.

Capacitación

1. Lea, entienda y cumpla todas las instrucciones incluidas en la máquina y en los manuales antes de montarla y utilizarla. Guarde este manual en un lugar seguro para consultas futuras y regulares, así como para solicitar repuestos.
2. Familiarícese con todos los controles y su funcionamiento apropiado. Sepa cómo detener la máquina y cómo desengranar los controles rápidamente.
3. No permita nunca que los niños menores de 14 años utilicen esta máquina. Los niños de 14 años y más mayores deben leer y comprender las instrucciones de funcionamiento y las reglas de seguridad contenidas en este manual, y también deben ser capacitados y estar supervisados por uno de los padres.
4. Nunca permita que los adultos utilicen esta máquina sin recibir antes la instrucción apropiada.
5. Los objetos arrojados por la máquina pueden producir lesiones graves. Planifique el patrón en el que va a ir arrojando nieve para evitar que la descarga de material se realice hacia los caminos, los observadores, etc.
6. Mantenga a los observadores, ayudantes, mascotas y niños por lo menos a 75 pies de la máquina mientras la misma está en funcionamiento. Detenga la máquina si alguien entra en la zona.
7. Sea precavido para evitar patinarse o caerse especialmente cuando opera la máquina en reversa.

Preparativos

1. Inspeccione minuciosamente el área donde utilizará el equipo. Saque todos los felpudos, periódicos, trineos, tablas, cables y otros objetos extraños con los que podría tropezar o que podrían ser arrojados por la barrena / motor.
2. Para protegerse los ojos utilice siempre anteojos o antiparras de seguridad mientras opera la máquina o mientras la ajusta o repara. Los objetos arrojados que rebotan pueden lesionar gravemente la vista.
3. No opere la máquina sin la vestimenta adecuada para estar al aire libre en invierno. No utilice alhajas, bufandas largas u otras prendas sueltas que podrían enredarse en las partes móviles. Utilice un calzado especial para superficies resbaladizas.
4. Use un prolongador y un tomacorriente de tres cables con conexión a tierra para todas las unidades con motores de encendido eléctrico.
5. Ajuste la altura de la caja del tomacorriente para limpiar la grava o las superficies con piedras trituradas.
6. Desengrane todas las palancas de control antes de arrancar el motor.
7. Nunca intente realizar ajustes mientras el motor está en marcha excepto en los casos específicamente recomendados en el manual del operador.
8. Deje que el motor y la máquina se adapten a la temperatura exterior antes de comenzar a sacar la nieve.
9. Para evitar lesiones personales o daños materiales sea sumamente cuidadoso al manipular la gasolina. La gasolina es altamente inflamable y sus vapores pueden causar explosiones. Se puede lesionar gravemente si derrama gasolina sobre usted o sobre la ropa ya que se puede prender fuego. Lávese la piel y cámbiese de ropa de inmediato.
 - a. Utilice sólo recipientes para gasolina autorizados.
 - b. Apague todos los cigarrillos, cigarros, pipas y otras fuentes de combustión.
 - c. Nunca cargue combustible en la máquina en un espacio cerrado.
 - d. Nunca saque la tapa del gas ni agregue combustible mientras el motor está caliente o en marcha.
 - e. Deje que el motor se enfríe por lo menos dos minutos antes de volver a cargar combustible.
 - f. Nunca recargue el tanque de combustible. Llene el tanque no más de 1/2 pulgada por debajo de la base del cuello del filtro para dejar espacio para la dilatación del combustible.
 - g. Vuelva a colocar la tapa de la gasolina y ajústela bien.
 - h. Limpie la gasolina derramada sobre el motor y el equipo. Traslade la máquina a otra zona. Espere 5 minutos antes de encender el motor.
 - i. Nunca almacene la máquina o el recipiente de combustible en un espacio cerrado donde haya fuego, chispas o luz piloto (por ejemplo, hornos, calentadores de agua, calefactores, secadores de ropa, etc.).
 - j. Deje que la máquina se enfríe por lo menos 5 minutos antes de guardarla.

PRÁCTICAS DE OPERACIÓN SEGURAS

Operación

1. No ponga las manos o los pies cerca de las piezas rotatorias, en la caja de la barrena / motor o en el montaje del canal de descarga. El contacto con las piezas rotatorias puede producir la amputación de manos y pies.
2. La palanca de control de la barrena / motor es un dispositivo de seguridad. Nunca pase por alto su funcionamiento. De hacerlo la operación de la máquina es riesgosa y puede ocasionar lesiones.
3. Las palancas de control deben funcionar bien en ambas direcciones y regresar automáticamente a la posición de desengrane cuando se las suelta.
4. Nunca opere la máquina si falta un montaje del canal o si el mismo está dañado. Mantenga todos los dispositivos de seguridad en su lugar y en funcionamiento.
5. Nunca encienda un motor en espacios cerrados o en una zona con poca ventilación. El escape del motor contiene monóxido de carbono, un gas inodoro y letal.
6. No utilice la máquina bajo la influencia del alcohol o las drogas.
7. El silenciador y el motor se calientan y pueden producir quemaduras. No los toque.
8. Sea sumamente precavido cuando opere la máquina sobre una superficie con grava o cuando la cruce. Manténgase alerta por si se presentan peligros ocultos o tránsito.
9. Tenga cuidado cuando cambie de dirección o cuando opere la máquina en pendientes.
10. Planifique el patrón en el que va a ir arrojando nieve para evitar que la descarga de material se produzca hacia las ventanas, las paredes, los automóviles, etc. y evitar así posibles daños materiales o lesiones producidas por los rebotes.
11. Nunca dirija la descarga hacia los niños, los observadores y las mascotas ni deje que nadie se pare delante de la máquina.
12. No sobrecargue la capacidad de la máquina tratando de sacar la nieve muy rápidamente.
13. Nunca opere esta máquina sin buena visibilidad o iluminación. Siempre debe estar seguro de que está bien afirmado y sostenga bien las manijas. Camine, nunca corra.
14. Corte la corriente a la barrena / motor cuando transporte la máquina o cuando la misma no está en uso.
15. Nunca opere la máquina a alta velocidad de desplazamiento sobre superficies resbaladizas. Mire hacia abajo y hacia atrás y tenga cuidado cuando vaya marcha atrás.
16. Si la máquina comenzara a vibrar de manera anormal, detenga el motor, desconecte el cable de la bujía y póngalo de manera que haga masa contra el motor. Inspeccione la máquina minuciosamente para ver si está dañada. Repare todos los daños antes de encender y operar la máquina.
17. Desengrane todas las palancas de control y detenga el motor antes de dejar la posición de operación (detrás de las manijas). Espere a que la barrena / motor se detenga por completo antes de destapar el montaje del canal o realizar ajustes e inspecciones.
18. Nunca ponga las manos en las aberturas de descarga o de recolección. Utilice siempre la herramienta de limpieza que se adjunta para destapar la abertura de descarga. No destape el montaje del canal mientras el motor está en funcionamiento. Antes de destaparlo, apague el motor y permanezca detrás de las manijas hasta que todas las partes móviles se hayan detenido.
19. Use sólo uniones y accesorios aprobados por el fabricante (por ejemplo, pesas para las ruedas, cadenas para los neumáticos, cabinas, etc.).
20. Si se presentan situaciones que no están previstas en este manual, sea cuidadoso y use el sentido común. Contacte con su centro de servicio Sears para obtener ayuda.

Mantenimiento y almacenamiento

1. Nunca manipule los dispositivos de seguridad de manera imprudente. Controle periódicamente que funcionen de forma adecuada. Remítase a las secciones de mantenimiento y ajuste de este manual.
2. Antes de realizar la limpieza, reparar o revisar la máquina, desengrane todas las palancas de control y detenga el motor. Espere a que la barrena / motor se detenga por completo. Desconecte el cable de la bujía y póngalo de manera que haga masa contra el motor para evitar que se encienda de manera accidental.
3. Controle frecuentemente que todos los pernos y tornillos estén bien ajustados para comprobar que la máquina se encuentra en condiciones seguras de funcionamiento. Asimismo, realice una inspección visual de la máquina para controlar si la misma está dañada.
4. No cambie la configuración del regulador del motor ni acelere demasiado el mismo. El regulador controla la velocidad máxima segura de operación del motor.
5. Las placas de raspado y las zapatas antideslizantes que se usan con la máquina quitanieve se desgastan y se dañan. Para proteger su seguridad, verifique frecuentemente todos los componentes y reemplácelos sólo con partes de los fabricantes de equipos originales (OEM). "La utilización de piezas que no cumplan con las especificaciones de equipos originales podría tener como resultado un rendimiento incorrecto, y además la seguridad podría estar comprometida"
6. Revise los controles periódicamente para verificar que engranen y desengranen adecuadamente y ajústelos si es necesario. Consulte la sección de ajustes en este manual del operador para obtener instrucciones.
7. Mantenga o reemplace las etiquetas de seguridad e instrucciones según sea necesario.
8. Respete las normas referentes a la disposición correcta y las reglamentaciones sobre gas, combustible, etc. para proteger el medio ambiente.
9. Antes de almacenar la máquina enciéndala unos minutos para sacar la nieve que haya quedado en la misma y para evitar así que se congele la barrena / motor.
10. Nunca almacene la máquina o el recipiente de combustible en un espacio cerrado donde haya fuego, chispas o luz piloto como por ejemplo, calentadores de agua, hornos, secadores de ropa, etc.
11. Consulte siempre el manual de funcionamiento para conocer las instrucciones adecuadas para el almacenamiento fuera de temporada.

No modifique el motor

Para evitar lesiones graves o la muerte, no modifique el motor bajo ninguna circunstancia. Si cambia la configuración del regulador el motor puede desconectarse y operar a velocidades inseguras. Nunca cambie la configuración de fábrica del regulador del motor.

Aviso referido a emisiones

Los motores que están certificados y cumplen con las regulaciones de emisiones federales EPA y de California para SORE (Equipos Small Off Road Equipment) están certificados para operar con gasolina común sin plomo y pueden incluir los siguientes sistemas de control de emisiones: Modificación de motor (EM) y catalizador de tres vías (TWC) si está equipado de esa manera.

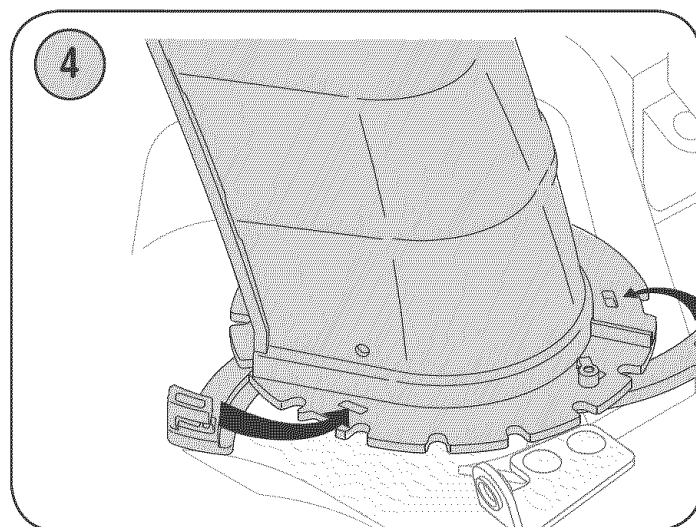
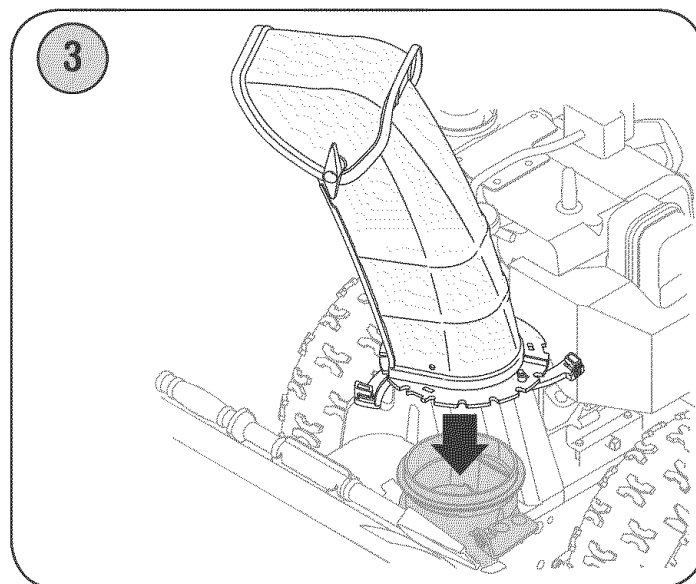
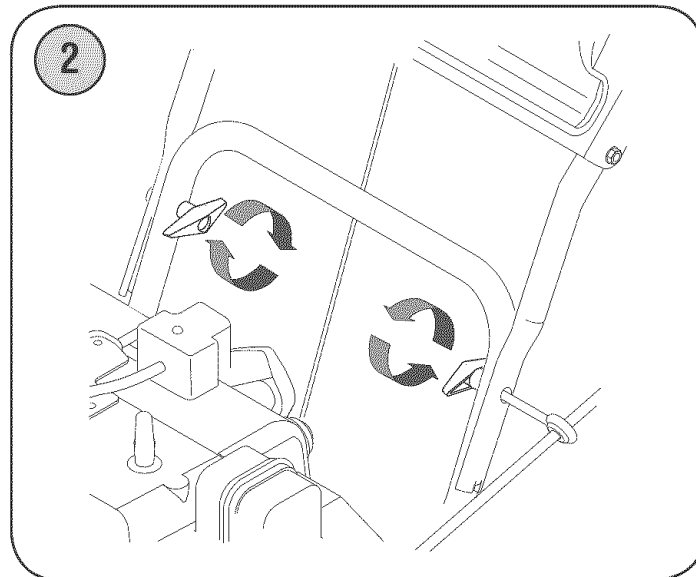
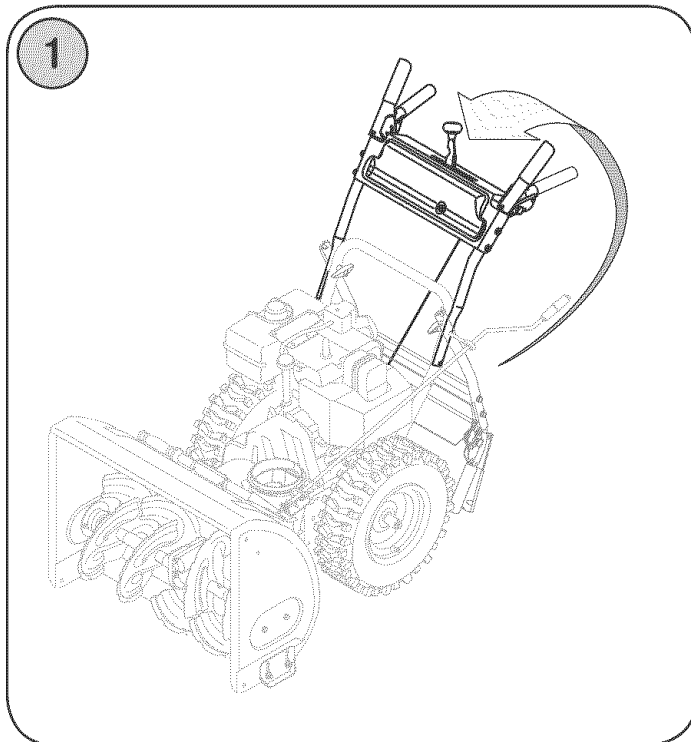
Calcomanía de identificación del motor

Esta calcomanía indica el número del modelo del motor, las especificaciones y la fecha de fabricación. Por favor, mire la calcomanía en el motor de su equipo y registre esa información para referencia futura.

La calcomanía de identificación del motor también incluye especificaciones sobre el período de vida útil del motor relacionado con las emisiones. Este período está relacionado con la vida útil en conformidad con las emisiones según lo certificado por EPA y/o CARB. Para hallar la especificación del período de vida útil del motor, por favor lea la calcomanía del motor y ubique la letra (entre comillas) entre las palabras Moderado y Período de Vida Útil. Conecte una de las siguientes letras con la letra impresa en su calcomanía. Por ejemplo, a los modelos HMSK 80 se los designa como:

- "C" — 250 horas
- "B" — 500 horas
- "A" — 1000 horas

MONTAJE



NOTA: las referencias al lado derecho o y ciertos de la máquina quitanieve se determinan desde la parte posterior de la unidad en posición de operación (permaneciendo directamente detrás de la máquina quitanieve, mirando hacia el panel de la manija).

Extracción de la unidad de la caja

1. Corte las esquinas de la caja de cartón y extiéndala en el piso. Quite y descarte todos los insertos de empaque.
2. Saque la máquina quitanieve de la caja.
3. Asegúrese de vaciar completamente la caja antes de tirarla.

Partes sueltas

Con este manual se incluyen dos pasadores de cuchilla de barrena de repuesto. Consulte la sección "Barrenas" en la página 20 para obtener más información sobre el reemplazo de los pasadores de cuchilla de barrena.

Configuración de la máquina quitanieve

1. Observe el área inferior trasera de la máquina quitanieve para asegurarse de que ambos cables estén alineados con las guías rotatorias antes de girar la manija hacia arriba.
2. Asegure la manija ajustando la perilla a mariposa de plástico situada en los lados izquierdo y derecho de dicha manija. Retire y descarte todos las bandas de plástico, si las hubiera. Únicamente se utilizan para el empaque.
3. Sitúe el montaje del canal sobre la base.
4. Cierre los fijadores de la brida para asegurar el montaje del canal a la base del canal. Los fijadores de la brida emiten un chasquido cuando están bien asegurados.

NOTA: si los fijadores de la brida no se ajustan en su lugar fácilmente, utilice la palma de su mano para aplicar una presión rápida y firme en la parte posterior de cada uno.

MONTAJE

5. Quite la arandela plana y el broche de horquilla del extremo del control direccional del canal.

Inserte el extremo del control direccional del canal en el soporte inferior y asegúrelo mediante la arandela plana y el broche de horquilla que acaba de retirar. Si es necesario, puede ajustarse el soporte inferior. Consulte "Ajuste del soporte del canal" en la página 20.

Ajustes

Control de la barrena

IMPORTANTE: antes de operar su máquina quitanieve, consulte la prueba de control de la barrena en la página 12. Lea y cumpla todas las instrucciones con cuidado, y realice todos los ajustes para verificar que su máquina quitanieve opera de forma segura y adecuada.

Zapatas antideslizantes

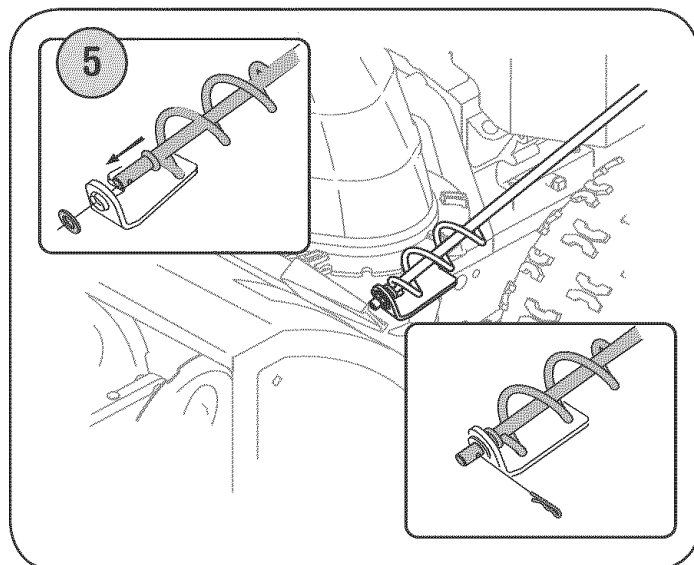
IMPORTANTE: no se recomienda que opere esta máquina quitanieve sobre grava, ya que es posible que la máquina quitanieve tome la grava suelta y la barrena la expulse, lo cual podría causar lesiones personales o dañar la máquina quitanieve.

Las zapatas antideslizantes de la máquina quitanieve se ajustan en fábrica para operación normal. Si tiene que usar la máquina quitanieve sobre grava, mantenga la zapata antideslizante en la posición más elevada para lograr una separación máxima entre el piso y la placa de raspado. Consulte "Zapatas antideslizantes" en la página 13.

Presión de los neumáticos

Antes de cualquier operación, compruebe la presión de ambos neumáticos y reduzca la misma a entre 15 psi y 20 psi.

NOTA: si la presión de los neumáticos no es igual en ambos neumáticos, es posible que la unidad no siga una trayectoria recta y que la placa de raspado se desgaste de forma despareja.



OPERACIÓN DE SU MÁQUINA QUITANIEVE

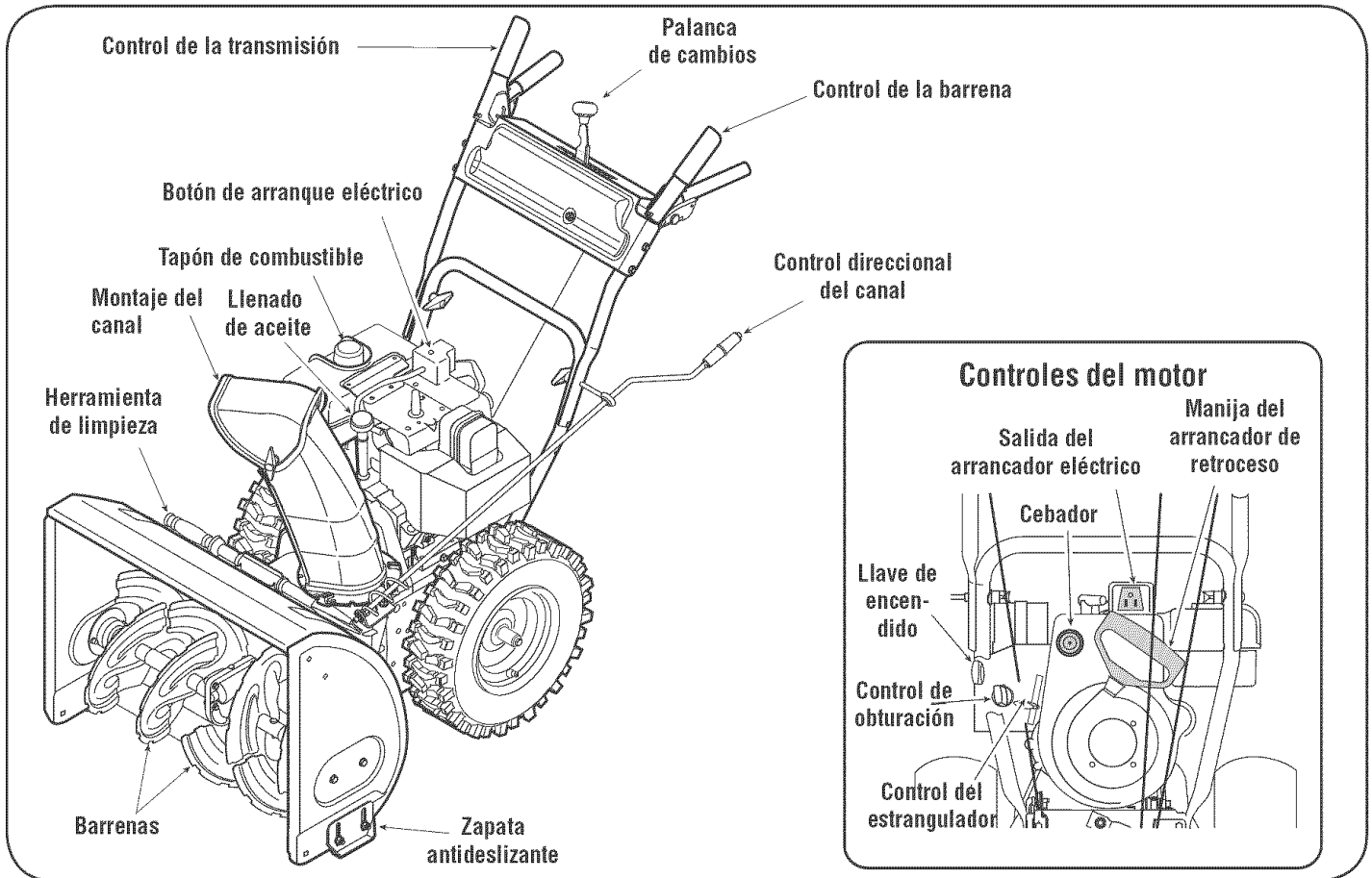


Figura 1

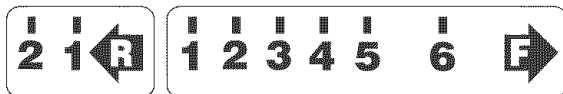
Controles de operación

(Vea la Figura 1)



ADVERTENCIA: lea, comprenda y siga todas las instrucciones y advertencias que aparecen en la máquina y en este manual antes de operarla.

Palanca de cambios



La palanca de cambios está ubicada entre las manijas inferiores. Sitúe la palanca de cambios en cualquiera de las ocho posiciones para controlar la dirección del desplazamiento y la velocidad de piso.

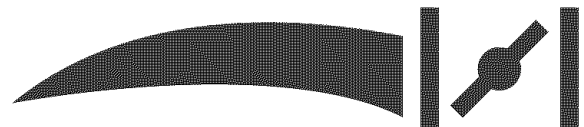
Avance

Hay cinco posiciones de avance (F). La posición uno (1) es la más lenta, y la posición six (6) es la más rápida.

Retroceso

Hay dos velocidades de retroceso (R). La uno (1) es la más lenta, y la dos (2) es la más rápida.

Control de obturación



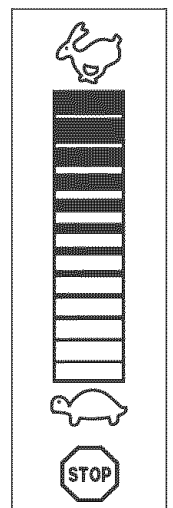
El control de obturación se encuentra en la parte posterior del motor, y se activa haciendo girar la perilla en sentido de las agujas del reloj. Al activar el control de obturación se cierra la placa de obturación del carburador y se ayuda a encender el motor.

Control del estrangulador

El control del estrangulador está ubicado en el motor. Regula la velocidad del motor, y lo apaga cuando se presiona hacia abajo completamente.

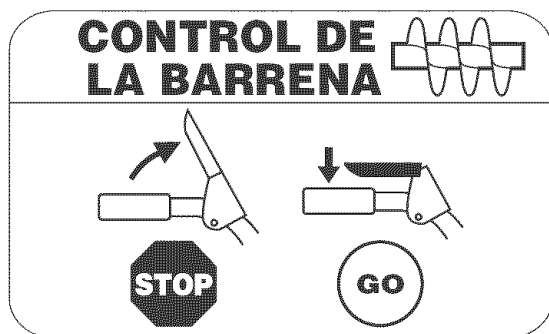
Cebador

Al presionar el cebador se envía combustible directamente al carburador del motor para ayudar al encendido cuando el clima es frío.



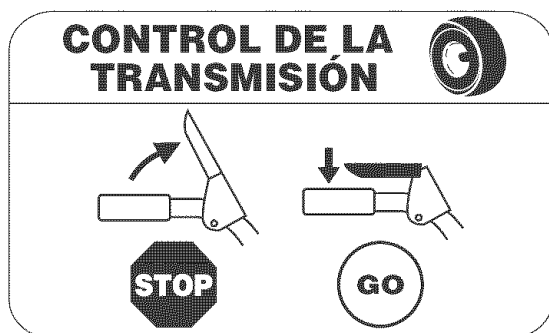
OPERACIÓN DE SU MÁQUINA QUITANIEVE

Control de la barrena



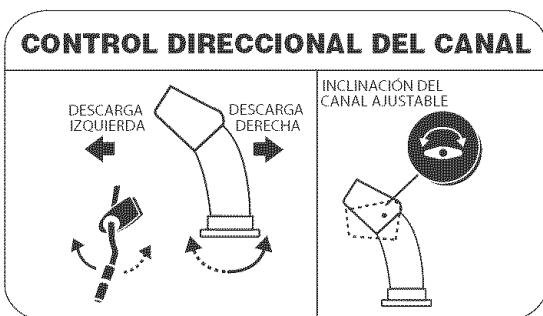
El control de la barrena está ubicado en la manija izquierda. Apriete la empuñadura de control contra la manija para engranar las barrenas y empiece a quitar nieve. Suelte para que se detenga.

Control de la transmisión



El control de transmisión está ubicado en la manija derecha. Presione la empuñadura de control contra la manija para engranar la rueda de transmisión. Suelte para que se detenga.

Control direccional del canal



Para cambiar la dirección hacia la cual se arroja la nieve, gire el control direccional del canal de la siguiente manera:

- Gire en sentido de las agujas del reloj para descargar la nieve hacia la izquierda.
- Gire en dirección contraria de las agujas del reloj para descargarla hacia la derecha.

Llave de encendido

La llave de encendido es un dispositivo de seguridad. Debe estar completamente insertada para que el motor arranque. Retire la llave de encendido cuando no use la máquina quitanieve.

No gire la llave de encendido para intentar arrancar el motor. Al hacerlo podría romperla.

Herramienta de limpieza



ADVERTENCIA: nunca use sus manos para liberar un montaje de canal tapado. Antes de destaparlo, apague el motor y permanezca detrás de las manijas hasta que todas las partes móviles se hayan detenido

La herramienta de limpieza del canal está ajustada a la parte superior de la caja de la barrena con un pasador de ensamblado. La herramienta está diseñada para liberar un montaje de canal tapado.

NOTA: este producto se ajusta en fábrica mediante una unión de cable a la parte posterior de la caja de la barrena. Corte la unión de cable antes de operar la máquina quitanieve.

Zapatas antideslizantes

Ubique las zapatillas antideslizantes en función de las condiciones de la superficie. Ajuste hacia arriba si la nieve está muy compactada. Ajustelas hacia abajo si usa la máquina en gravas o superficies con piedras trituradas.

Manija del arrancador de retroceso

Esta manija se utiliza para arrancar el motor manualmente.

Botón del arrancador eléctrico

Si oprime el botón del arrancador eléctrico se engrana el arrancador eléctrico del motor cuando se lo enchufa a una fuente de energía de 120V.

Salida del arrancador eléctrico

Es necesario usar un cordón prolongador para exteriores de tres espigas y una fuente de energía / tomacorriente de pared de 120V.

Barrenas

Cuando están en granadas, las barrenas giran y retiran la nieve al interior de la caja de la barrena.

Montaje del canal

La nieve retirada al interior de la caja de la barrena se descarga en el montaje del canal.

Tapón de combustible

Desenrosque el tapón de combustible para agregar gasolina al tanque de combustible.

Llenado de aceite

Es posible controlar el nivel de aceite del motor, así como también agregar aceite, a través del llenado de aceite.

OPERACIÓN DE SU MÁQUINA QUITANIEVE

Antes de encender el motor



ADVERTENCIA: lea, comprenda y siga todas las instrucciones y advertencias que aparecen en la máquina y en este manual antes de operarla.

Aceite

El motor se envió con aceite en el motor. Controle el nivel de aceite antes de cada operación para asegurarse de que haya aceite suficiente en el motor. Para obtener más instrucciones, remítase a los pasos que aparecen en la página 15.

1. Saque la varilla del nivel de aceite del orificio de llenado de aceite.
2. Controle y compruebe que el nivel de aceite esté hasta arriba en la marca FULL de la varilla del nivel del aceite.
3. Si el nivel de aceite no llega hasta FULL, vierta aceite de motor nuevo (5W-30, con una clasificación mínima de SL/SJ) lentamente a través de la abertura. Vuelva a colocar la varilla del nivel aceite en el llenado de aceite y controle nuevamente el nivel de aceite.

Gasolina

ADVERTENCIA: tenga extremo cuidado cuando manipule gasolina. La gasolina es altamente inflamable y sus vapores pueden causar explosiones. Nunca agregue combustible a la máquina en interiores o mientras el motor está caliente o en funcionamiento. Apague los cigarrillos, cigarros, pipas y otras fuentes de combustión.



- Almacene la gasolina en un recipiente aprobado limpio y coloque la tapa en el recipiente.
- Asegúrese de que el recipiente desde el cual vierte la gasolina esté limpio y no esté oxidado ni contaminado con otras partículas extrañas.

NOTA: dentro de la apertura para llenado de combustible puede encontrarse una tapa guardapolvos de plástico. Retire y descarte, si la hubiera.

- Llène siempre el tanque de combustible al aire libre y use un embudo o pico para evitar derramamientos.
- Llène el tanque de combustible con gasolina sin plomo, limpia y fresca.
- Nunca llene completamente el tanque. Llène el tanque hasta 1/2 pulg por debajo del tope, dejando así espacio para la dilatación del combustible.
- Asegúrese de limpiar el combustible que se haya derramado antes de arrancar el motor.

Encendido del motor

1. Conecte el cable de la bujía a la misma. Compruebe que el lazo de metal del extremo de la bujía esté bien ajustado (dentro de la manga de goma) sobre la punta metálica de la bujía.
2. Asegúrese de que el control de la barrena y el control de la transmisión estén en posición desengranada (sin presionar).
3. Mueva el control del estrangulador a la posición FAST (rápido). Inserte la llave de encendido en la ranura. Asegúrese de que entre a presión en su lugar. No intente girar la llave.

NOTA: el motor no puede arrancar si la llave no está completamente insertada en el interruptor de encendido.

Arrancador eléctrico

1. Determine si el cableado de su hogar es un sistema de tres cables conectado a tierra. Consulte con un electricista matriculado si no está seguro.



ADVERTENCIA: el arrancador eléctrico opcional está equipado con un cable de alimentación y un enchufe de tres terminales conectados a tierra y está diseñado para operar con corriente doméstica de 120 voltios. Debe ser utilizado con un receptáculo de tres terminales correctamente conectado a tierra en todo momento para evitar la posibilidad de descargas eléctricas.

Si su sistema de cableado doméstico no es un sistema de tres terminales con conexión a tierra, no utilice este motor eléctrico bajo ningún tipo de condiciones.

Si su sistema de cableado doméstico es un sistema con conexión a tierra, pero no cuenta con un receptáculo de tres terminales, no utilice el arrancador eléctrico de su máquina quitanieve.

Siga todas las instrucciones cuidadosamente para operar el arrancador eléctrico.

Si cuenta con un receptáculo de tres terminales, siga los siguientes pasos:

1. Conecte el prolongador a la salida situada en la superficie del motor. Conecte el otro extremo del prolongador en un receptáculo de CA con conexión a tierra de tres terminales de 120 voltios, en un área bien ventilada.
2. Gire el control de obturación a posición de obturación FULL (para encendido con el motor en frío).

NOTA: si el motor ya está caliente, ubique el control del obturador en posición OFF en lugar de FULL.

3. Presione el cebador dos o tres veces para arrancar el motor en frío, asegurándose de cubrir el orificio de ventilación situado en el centro del cebador cuando esté presionando.

NOTA: NO UTILICE el cebador para reiniciar un motor caliente tras una detención breve.

4. Presione el botón del arrancador para arrancar el motor.
5. Una vez encendido el motor, suelte el botón del arrancador.
6. Mientras se calienta el motor, gire lentamente el control del obturador a posición OFF (apagado). Si el motor falla, vuelva a girar rápidamente el obturador a posición FULL y luego, lentamente, a posición OFF de nuevo.
7. Cuando desconecte el prolongador, desenchufe siempre el extremo del receptáculo de tres terminales en el tomacorriente de pared antes de desenchufar el extremo opuesto de la máquina quitanieve.

OPERACIÓN DE SU MÁQUINA QUITANIEVE

Arrancador de retroceso

1. Gire el control de obturación a posición de obturación FULL (encendido con el motor en frío).

NOTA: Isi el motor ya está caliente, ubique el control del obturador en posición OFF en lugar de FULL.

2. Presione el cebador dos o tres veces para arrancar el motor en frío, asegurándose de cubrir el orificio de ventilación situado en el centro del cebador cuando esté presionando.

NOTA: NO UTILICE el cebador para reiniciar un motor caliente tras una detención breve.

NOTA: tal vez sea necesario un cebado adicional si la temperatura es inferior a 15° Fahrenheit.

3. Tome la manija del arrancador de retroceso y tire de la cuerda hacia afuera lentamente. En el momento en el que se haga levemente más difícil tirar de la cuerda, permita que la misma retroceda lentamente.
4. Tire de la manija del arrancador con un movimiento firme y rápido. No suelte la manija ni permita que se desenganche. Mantenga la manija del arrancador firmemente sujeta y permita que la cuerda retroceda lentamente.
5. Mientras se calienta el motor, gire lentamente el control del obturador a posición OFF (apagado). Si el motor falla, vuelva a girar rápidamente el obturador a posición FULL y luego, lentamente, a posición OFF de nuevo.

NOTA: permita que el motor se caliente durante unos minutos tras el arranque. El motor no desarrollará toda su potencia hasta que alcance temperaturas operativas.

Detención del motor

Deje encendido el motor durante algunos minutos antes de detenerlo para permitir que se seque la humedad en el mismo.

- Para ayudar a prevenir un posible congelamiento del arrancador, proceda de la siguiente manera:

Arrancador eléctrico

1. Conecte el prolongador a la salida del arrancador eléctrico en el motor y luego al tomacorriente de CA de 120 voltios.
2. Con el motor funcionando, presione el botón del arrancador y deje girar el arrancador durante varios segundos. El ruido realizado por el arrancador es normal. El arrancador del motor no está dañado.
3. Cuando desconecte el prolongador, desenchufe siempre el extremo del receptáculo de tres terminales en el tomacorriente de pared antes de desenchufar el extremo opuesto de la máquina quitanieve.
4. Mueva el control del estrangulador a la posición STOP (parada).
5. Retire la llave de encendido y guárdela en un lugar seguro.

6. Limpie la nieve y la humedad del área alrededor del motor, así como también en el área (y alrededor de ésta) del interior de los controles de la transmisión y de la barrena. Asimismo, enganche y suelte ambos controles varias veces.

Arrancador de retroceso

1. Con el motor en funcionamiento, tire con fuerza de la sogá del arrancador tres o cuatro veces de manera continua y seguida. Al tirar de la sogá del arrancador se oirá un fuerte sonido de traqueteo, el cual no daña al motor.
2. Mueva el control del estrangulador a la posición STOP (parada).
3. Retire la llave de encendido y guárdela en un lugar seguro.
4. Limpie la nieve y la humedad del área alrededor del motor, así como también en el área (y alrededor de ésta) del interior de los controles de la transmisión y de la barrena. Asimismo, enganche y suelte ambos controles varias veces.

Herramienta de limpieza del canal

La herramienta de limpieza del canal está ajustada convenientemente a la parte posterior de la caja de la barrena con un pasador de ensamblado. Si se acumulan nieve y hielo en el canal de descarga durante la operación, proceda como se indica a continuación para limpiar de manera segura el montaje del canal y la abertura del canal:

1. Suelte el control de la barrena y el control de la transmisión.
2. Para detener el motor saque la llave de encendido.
3. Saque la herramienta de limpieza del pasador que la ajusta a la parte posterior de la caja de la barrena.



ADVERTENCIA: el silenciador, el motor y las zonas que los rodean pueden calentarse y causar quemaduras. No los toque.

4. Use el extremo con forma de pala de la herramienta de limpieza para desplazar y recoger la nieve y el hielo que se formaron cerca del conjunto del canal.
5. Vuelva a ajustar la herramienta de limpieza al pasador de ensamblado ubicado en la parte posterior de la caja de la barrena, inserte de nuevo la llave de encendido y encienda el motor de la máquina quitanieve.
6. Parado en la posición del operador (detrás de la máquina quitanieve), engrane el control de la barrena durante unos segundos para eliminar la nieve o el hielo que hayan quedado en el conjunto del canal.

Procedimiento para engranar la transmisión

1. Con el control del estrangulador en posición rápida (dibujo de un conejo), mueva la palanca de cambios a una de las cinco posiciones de avance (F) o de las dos posiciones de reversa (R). Seleccione la velocidad adecuada para el estado de la nieve existente y una velocidad con la que se sienta cómodo.

OPERACIÓN DE SU MÁQUINA QUITANIEVE

NOTA: al seleccionar una velocidad de la transmisión, use las velocidades más lentas hasta que se sienta cómodo y se haya familiarizado con el funcionamiento de la máquina quitanieve.

2. Apriete el control de la barrena contra la manija y las barrenas rotarán. Suéltela y las barrenas se detendrán.
3. Apriete el control de la transmisión contra la manija derecha, y la máquina quitanieve se moverá. Suéltelo y se detendrá el movimiento de la transmisión.

IMPORTANTE: NUNCA cambie la posición de la palanca de cambios (cambio de velocidades o de dirección de desplazamiento) sin soltar primero el control de transmisión y detener por completo la máquina quitanieve. Esto producirá un desgaste prematuro del sistema de transmisión de la máquina quitanieve.

Procedimiento para engranar las barrenas

1. Para engranar las barrenas y comenzar a quitar la nieve, apriete el control de la barrena contra la manija izquierda. Suelte para detener las barrenas.

Prueba de control de la barrena

Realice la prueba siguiente antes de operar su máquina quitanieve por primera vez al principio de cada invierno.

Compruebe el ajuste del control de la barrena de la siguiente forma:

1. Cuando se suelta el control de la barrena y está en posición desengranada arriba, el cable debe tener muy poco juego. NO debe estar tenso.
2. En un área bien ventilada, arranque el motor de la máquina quitanieve según se indica anteriormente en esta misma sección. Asegúrese de que del estrangulador está ajustado en posición FAST (rápida).
3. Parado en la posición del operador (detrás de la máquina quitanieve), engrane la barrena.
4. Deje la barrena engranada durante aproximadamente diez (10) segundos antes de soltar el control de la barrena. Repita esta operación varias veces.
5. Con el control del estrangulador en posición rápida (dibujo de un conejo), y la barrena en posición desengranada arriba, camine al frente de la máquina.
6. Confirme que la barrena ha dejado de girar por completo y no muestra NINGÚN signo de movimiento. Si la barrena muestra CUALQUIER signo de rotación, vuelva a la posición del operador y apague el motor inmediatamente. Espere a que TODAS las partes móviles se detengan antes de volver a ajustar el control de la barrena.
7. Para volver a ajustar el cable de control, afloje la tuerca hexagonal superior en la ménsula del cable de la barrena.

8. Ubique la ménsula hacia arriba para brindar más juego (o hacia abajo para aumentar la tensión del cable). Vea la figura 2.
9. Vuelva a apretar la tuerca hexagonal superior.
10. Repita la **prueba de control de la barrena** para verificar que se ha logrado el ajuste adecuado.

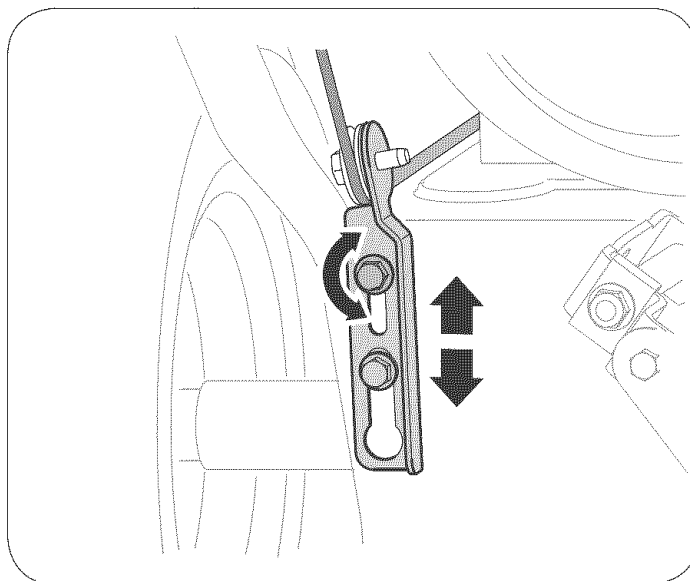


Figura 2

MANTENIMIENTO

Lubricación

ADVERTENCIA: antes de realizar tareas de lubricación, reparación o inspección, desengrane todos los controles y detenga el motor. Espere a que se detengan todas las piezas móviles.



Eje de engranaje

El eje de engranaje (hexagonal) se debe lubricar al menos una vez por temporada o tras cada 25 horas de operación.

1. Retire la cubierta del marco inferior quitando los dos tornillos que la aseguran.
2. Aplique al eje hexagonal una capa ligera de una grasa multiusos apta para condiciones climáticas múltiples. Vea la figura 3.

IMPORTANTE: Evite los derrames de aceite sobre la rueda de fricción de caucho y sobre la placa de transmisión de aluminio.

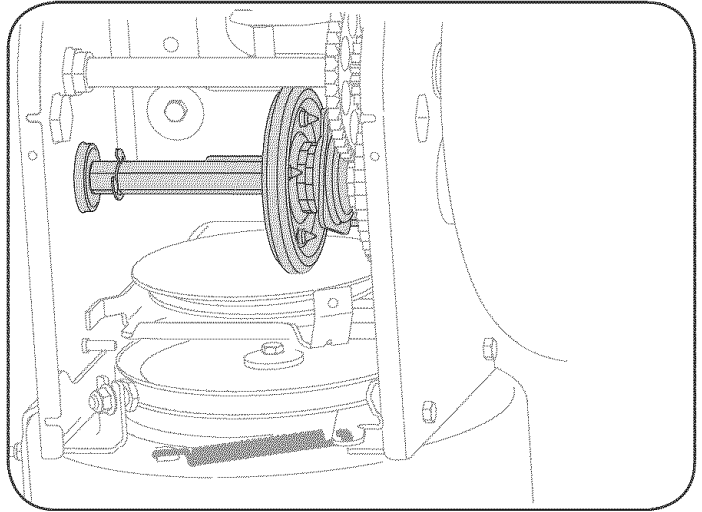


Figura 3

Ruedas

Retire ambas ruedas al menos una vez cada temporada. Limpie y recubra los ejes con una grasa para automotores multiusos antes de volver a instalar las ruedas.

Control direccional del canal

Una vez por temporada es necesario lubricar la palanca de control con vaselina, aceite de linaza, aceite mineral, grasa de parafina o aceite 3-en-1.

Eje de la barrena

Al menos una vez por temporada, quite los pasadores de cuchilla del eje de la barrena. Rocíe lubricante al interior del eje, alrededor de los separadores. Asimismo, lubrique los cojinetes bridados que se encuentran en ambos extremos del eje. Vea la figura 4.

Caja de engranajes

La caja de engranajes de la barrena se ha llenada con grasa y se ha sellado en fábrica. Si se desmonta por algún motivo, lubríquela con dos onzas de grasa nueva (número de pieza 737-0168).

NOTA: no sobrecargue de grasa la caja de engranajes. Se podrían dañar los sellos. Compruebe que no haya grasa en el tapón de cierre de la tubería de ventilación a fin de liberar presión.

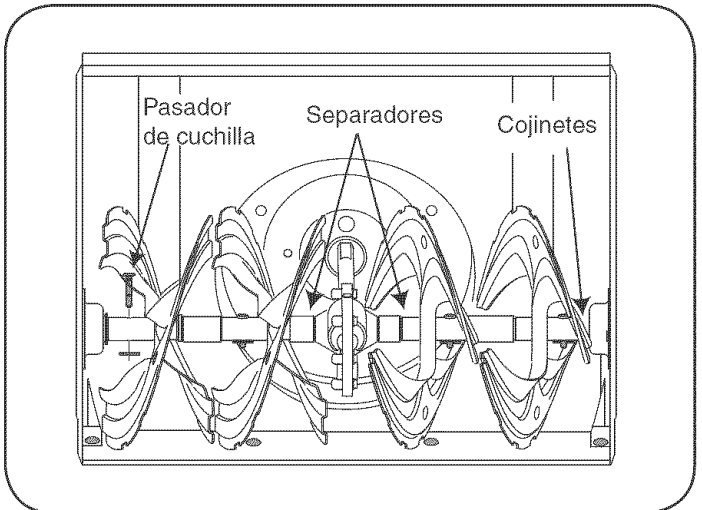


Figura 4

Placa de raspado y zapatas antideslizantes

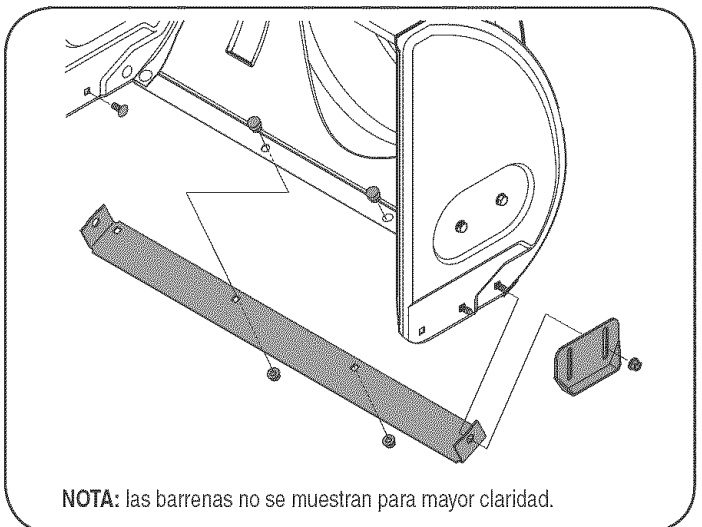
La placa de raspado y las zapatas antideslizantes ubicadas en la base de la máquina quitanieve están sujetas a desgaste. Periódicamente debería controlar los pernos y reemplazarlos cuando sea necesario.

Para retirar las zapatas antideslizantes:

1. Quite los cuatro pernos del carro y las tuercas de brida hexagonales que los aseguran a la máquina quitanieve.
2. Monte las nuevas zapatas antideslizantes con cuatro pernos de carro (dos en cada lado) y las tuercas de brida hexagonales. Consulte la figura 5.

Para retirar la placa de raspado:

1. Quite los pernos de carro y las tuercas hexagonales que la sujetan a la caja de la máquina quitanieve.
2. Monte la placa de raspado nueva, asegurándose de que las cabezas de los pernos de carro se encuentren del lado interior de la caja. Ajuste bien



NOTA: las barrenas no se muestran para mayor claridad.

Figura 5

MANTENIMIENTO

Reemplazo de la correa de la barrena

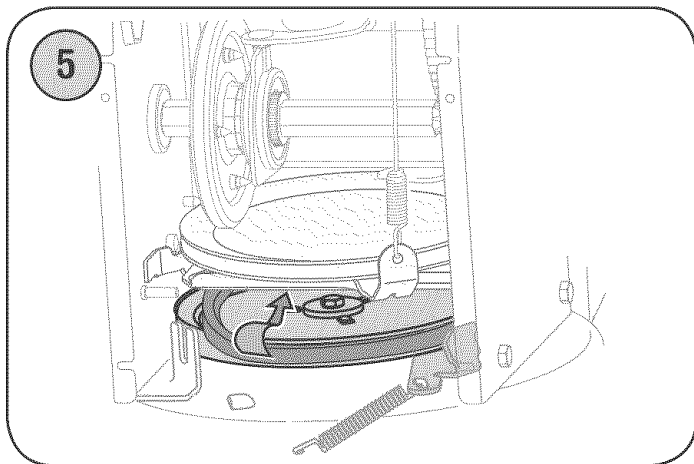
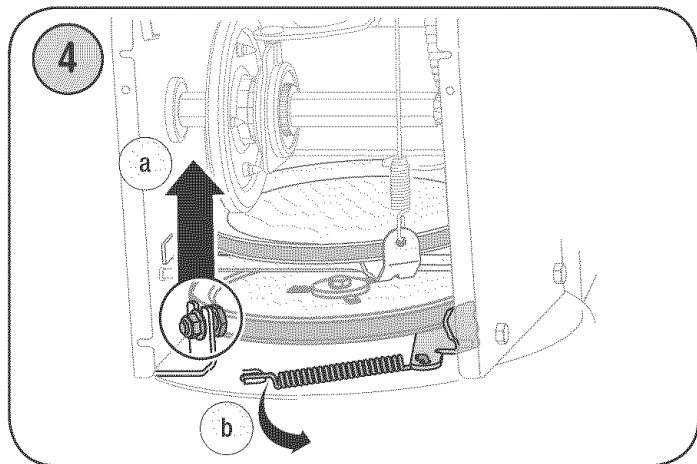
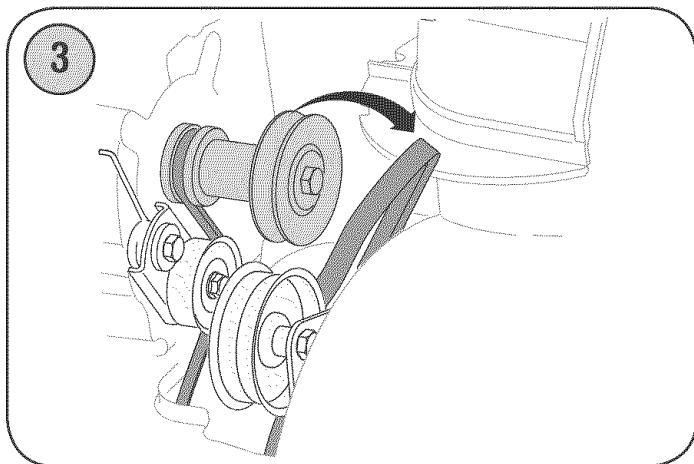
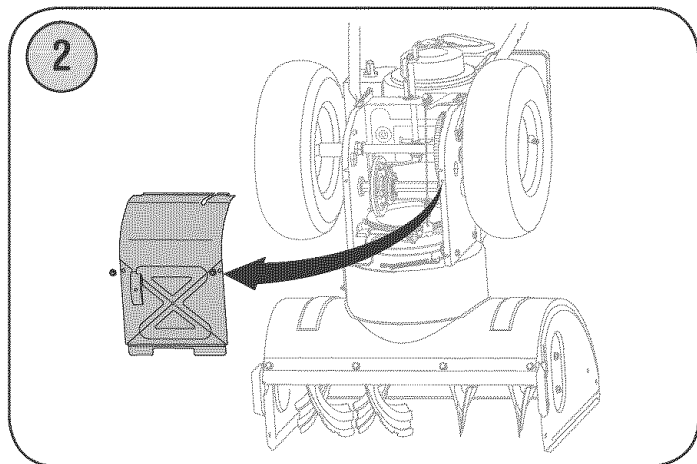
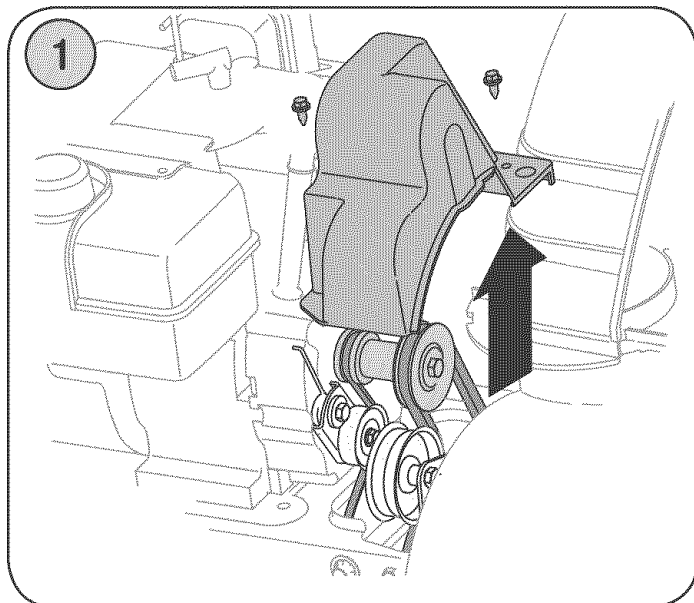
Para retirar y reemplazar la correa de la barrena de su máquina quitanieve, proceda como se indica a continuación:

1. Saque la cubierta plástica de la correa ubicada en el frente del motor. Para ello saque los dos tornillos autorroscantes.

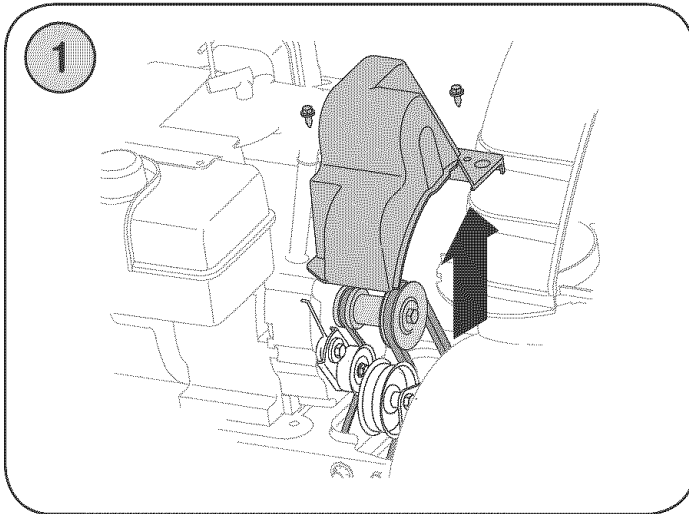
NOTA: drene la gasolina de la máquina quitanieve o coloque un trozo de plástico debajo del tapón de llenado del combustible.

2. Gire con cuidado la máquina quitanieve hacia arriba y hacia delante de manera que quede apoyada sobre la caja de la barrena. Saque la cubierta del marco desde debajo de la máquina quitanieve retirando los cuatro tornillos autorroscantes que la aseguran.
3. Saque la correa de la barrena de la polea del motor.
4. a. Afloje y retire el tornillo con reborde que actúa como guarda de la correa.
b. Desenganche el resorte de la ménsula de soporte del marco.
5. Retire la correa de alrededor de la polea de la barrena y deslice la misma entre la ménsula de soporte y la polea de la barrena. Para realizar el reensamblado de la correa de la barrena siga las instrucciones en orden inverso.

NOTA: NO olvide volver a instalar el tornillo con reborde y volver a conectar el resorte al marco tras instalar una correa de la barrena de repuesto.



MANTENIMIENTO



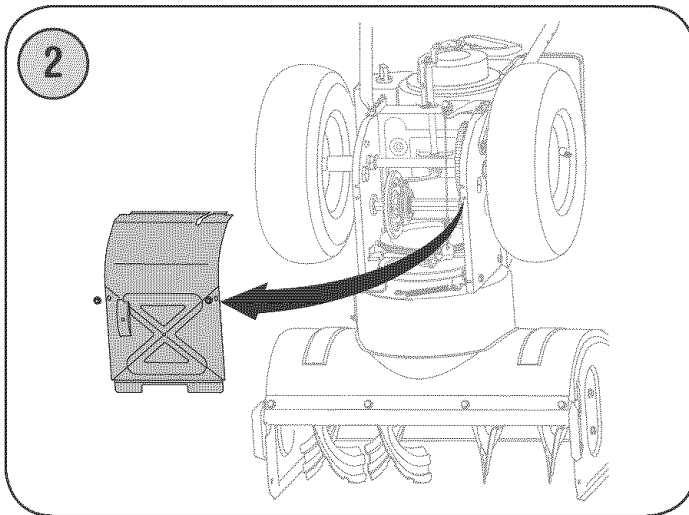
Barrenas

- Las barrenas están ajustadas al eje espiral con dos pasadores de cuchilla y pasadores de chaveta. Si la barrena golpea un objeto extraño o una barra de hielo, la máquina quitanieve está diseñada de manera que los pasadores se pueden cortar. Consulte la figura 4.
- Si las barrenas no giran, verifique si los pasadores se cortaron. Junto con la máquina quitanieve se incluye un juego de pasadores de cuchilla de repuesto. Cuando reemplace los pasadores, rocíe un lubricante de aceite dentro del eje antes de colocar los nuevos pasadores.

Reemplazo de la correa de la transmisión

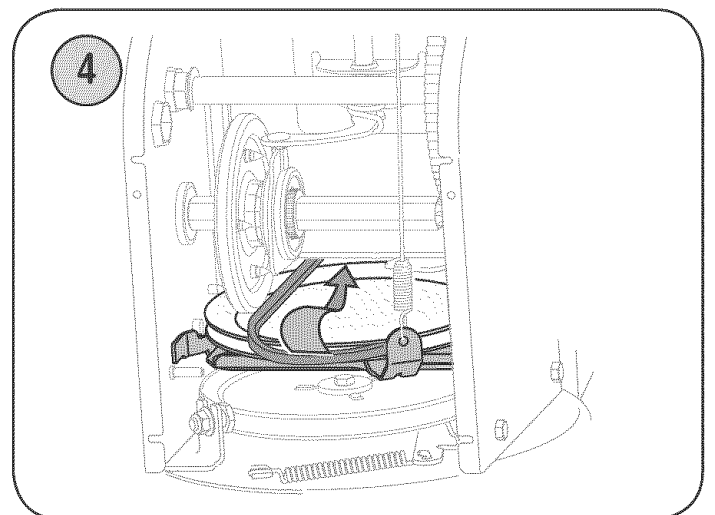
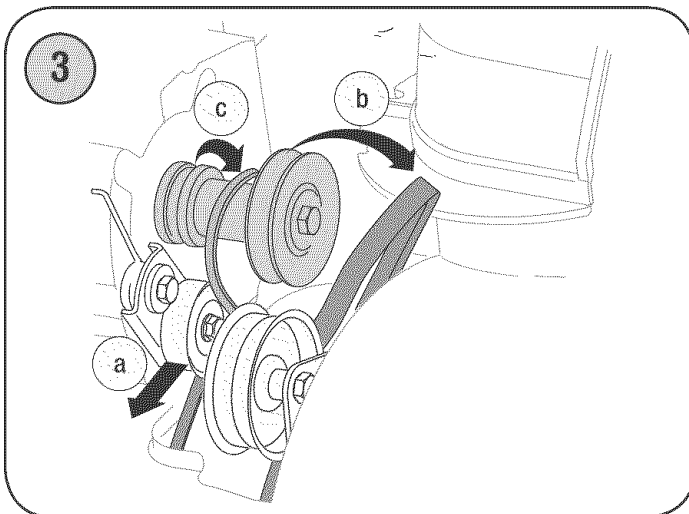
Para retirar y reemplazar la correa de la barrena de su máquina quitanieve, proceda como se indica a continuación:

1. Saque la cubierta plástica de la correa ubicada en el frente del motor. Para ello saque los dos tornillos autorroscantes.
- Drene la gasolina de la máquina quitanieve o coloque un trozo de plástico debajo del tapón de llenado del combustible.
- Gire con cuidado la máquina quitanieve hacia arriba y hacia delante de manera que quede apoyada sobre la caja de la barrena.
2. Saque la cubierta del marco desde debajo de la máquina quitanieve retirando los cuatro tornillos autorroscantes que la aseguran.
3. a. Tome la polea loca y gírela hacia la derecha.
b. Saque la correa de la barrena de la polea del motor.
c. Levante la correa de la barrena para sacarla de la polea del motor.
4. Deslice la correa de la transmisión fuera de la polea y de entre la rueda de fricción y el disco de la rueda de fricción.
- Retire y reemplace la correa en el orden inverso.



Extracción de la rueda de fricción

Si la máquina quitanieve no se acciona cuando el control de la transmisión está engranado, y si al realizar el ajuste del cable de control de la transmisión que aparece en la página 19 el problema no se corrige, tal vez se deba reemplazar la rueda de fricción. Siga las instrucciones que aparecen a continuación. Examine la rueda de fricción en busca de signos de desgaste o grietas y reemplace si es necesario



MANTENIMIENTO

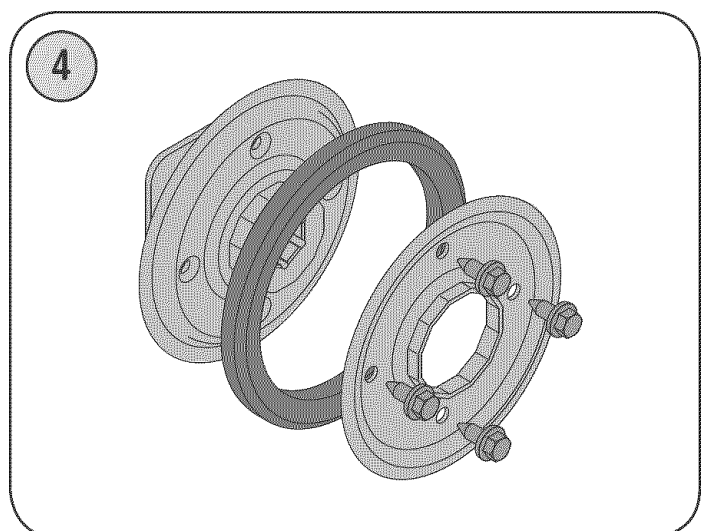
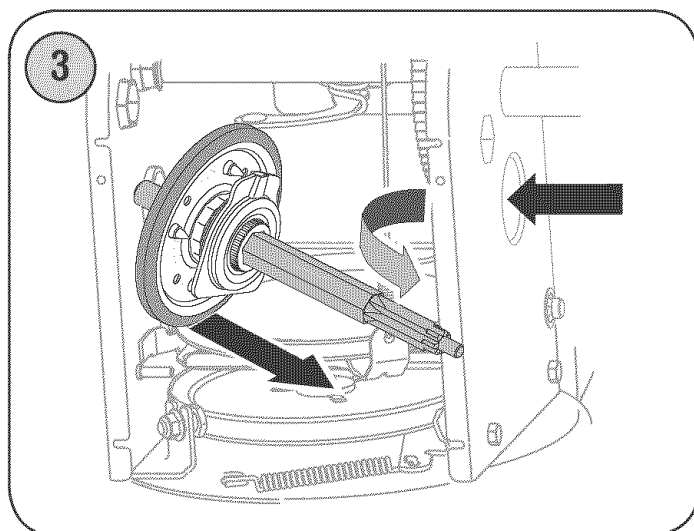
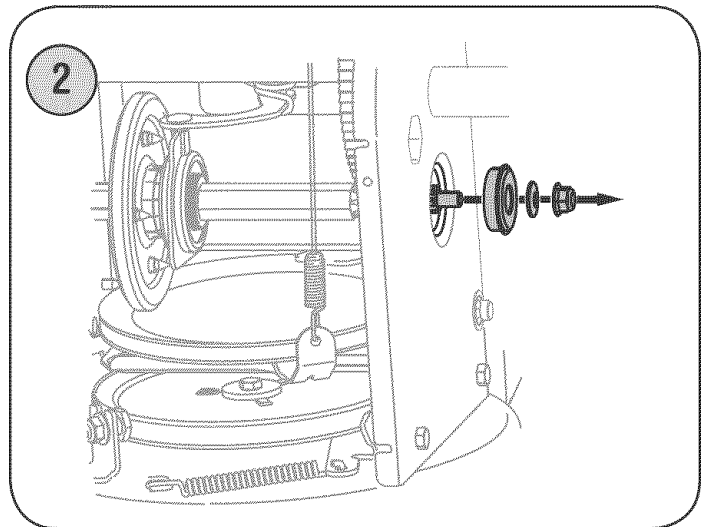
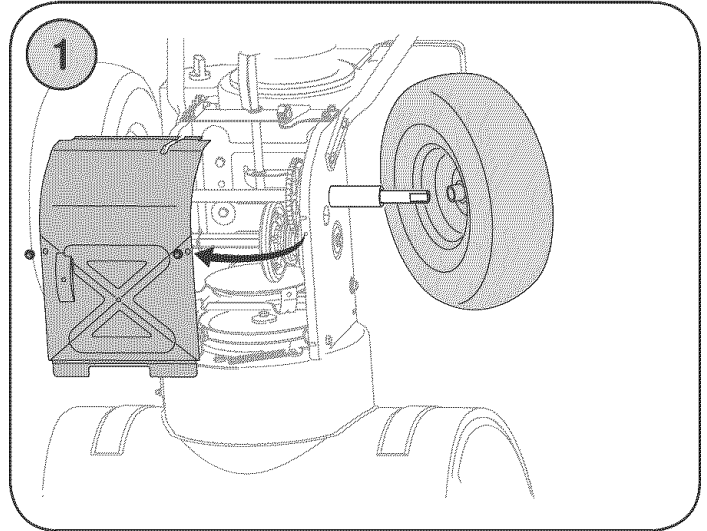
- Coloque la palanca de cambios en la tercera posición de avance (F3).
 - Drene la gasolina de la máquina quitanieve o coloque un trozo de plástico debajo del tapón de llenado del combustible.
 - Gire con cuidado la máquina quitanieve hacia arriba y hacia delante de manera que quede apoyada sobre la caja de la barrena.
1. a. Saque la cubierta del marco desde debajo de la máquina quitanieve retirando los cuatro tornillos autorroscantes que la aseguran.
b. Retire la rueda derecha quitando el tornillo y la arandela de campana que la aseguran al eje.
 2. Retire con cuidado la tuerca hexagonal y la arandela que sujetan el eje hexagonal al marco de la máquina quitanieve, y golpee suavemente el extremo del eje para desplazar el cojinete de bolas del lado derecho del marco.
 3. Con cuidado, ubique el eje hexagonal hacia abajo y hacia la izquierda antes de deslizar con precaución el montaje de la rueda de fricción fuera del eje.

NOTA: cuando se desea reemplazar el conjunto de la rueda de fricción completo, descarte la pieza desgastada y deslice la nueva pieza en el eje hexagonal. Para reensamblar los componentes siga los pasos anteriores en orden inverso. Si está desmontando la rueda de fricción para reemplazar únicamente el anillo de goma, proceda como se indica a continuación:

4. Saque los cuatro tornillos que mantienen unidas las placas laterales de la rueda de fricción.
- Retire el anillo de goma de entre las placas y reensamble las placas laterales con un nuevo anillo de goma.

NOTA: al reensamblar el conjunto de la rueda de fricción, apriete cada tornillo únicamente un giro antes de girar la rueda en el sentido de las agujas del reloj y proceder con el siguiente tornillo. Repita este proceso varias veces para asegurarse de que las placas se aprietan con la misma fuerza.

- Vuelva a deslizar el conjunto de la rueda de fricción sobre el eje hexagonal y siga los pasos anteriores en orden inverso para reensamblar los componentes.



MANTENIMIENTO

Control del aceite del motor

1. Asegúrese de que el motor está vertical y nivelado
2. Desenrosque el tapón de llenado de aceite del tubo de llenado de aceite y limpie la varilla de nivel de aceite. Vea la figura 7.
3. Vuelva a enroscar el tapón de llenado de aceite en el tubo de llenado de aceite. Ajuste bien.
4. Desenrosque y retire el tapón de llenado de aceite del tubo de llenado de aceite. Fíjese en el nivel de aceite. Si la lectura en la varilla del nivel de aceite está por debajo de la marca "ADD" (agregue), agregue aceite lentamente hasta alcanzar el nivel "FULL" (lleno). Vea la figura 7.
5. Vuelva a enroscar el tapón de llenado de aceite en el tubo de llenado de aceite. Ajuste bien.
6. Limpie todo el aceite que se haya derramado.

Cambio de aceite del motor

TPara evitar que el motor resulte dañado, es importante que:

- Controle el nivel de aceite antes de cada uso y cada cinco horas de operación.
- Cambie el aceite después de las dos (2) primeras horas de operación y después de cada 25 horas de operación.
- El motor debe estar tibio pero no caliente por su uso reciente.

1. Localice el tapón de drenaje del aceite. Vea la figura 6.
2. Asegúrese de que la tapa de la gasolina está puesta y bien ajustada.
3. Limpie el área alrededor del tapón de drenaje del aceite. Vea la figura 6.
4. Coloque un recipiente de aceite reciclable aprobado bajo el tapón del drenaje del aceite.

5. Saque el tapón de drenaje del aceite y drene el aceite.

NOTA: el aceite usado debe desecharse en un centro de recogida adecuado.

6. Instale el tapón de drenaje del aceite y ajuste bien.
7. Vuelva a llenar el motor con el aceite recomendado. Consulte el gráfico **Uso de aceite recomendado**. La capacidad de aceite del motor es de **26 onzas**.
8. Limpie todo el aceite que se haya derramado.

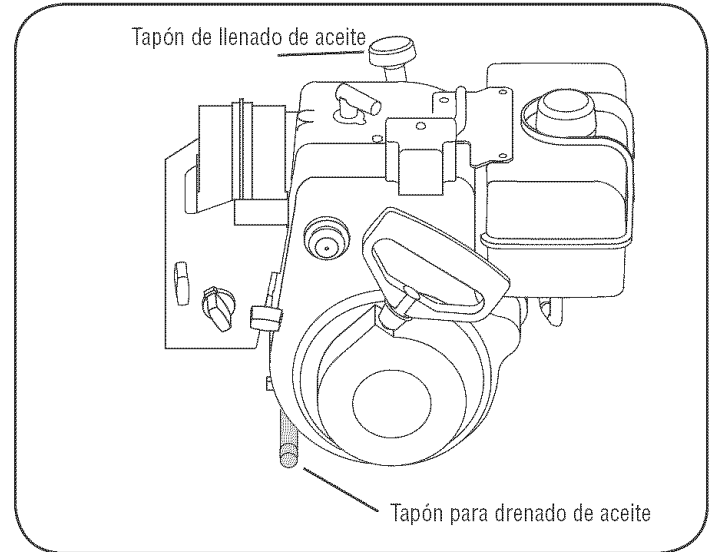


Figura 6

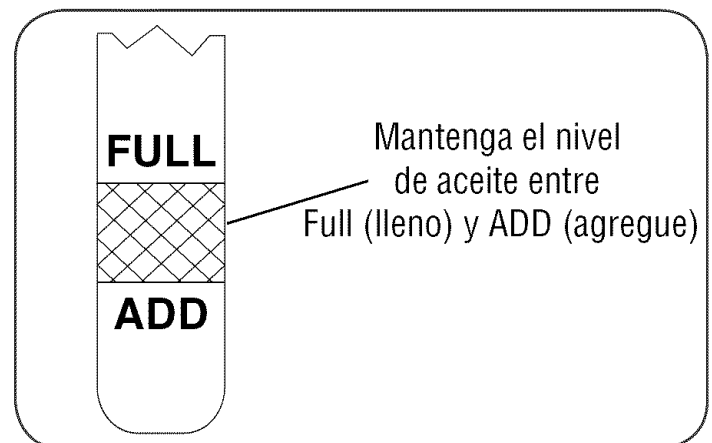


Figura 7

Recommended Oil Usage										
Multi Grade SAE 5W-30 or SAE 10W-30					Non-Multi Grade SAE 30					
Synthetic Multi Grade SAE 0W-30										
-30°F	-20°F	0°F	20°F	32°F	40°F	60°F	80°F	100°F		
-30°C	-20°C	-10°C	0°C	32°C	40°C	60°C	80°C	100°C		

MANTENIMIENTO

Control de la bujía

Controle la bujía anualmente o cada 100 horas de operación.

1. Limpie el área alrededor de la bujía.
2. Saque e inspeccione la bujía.
3. Cambie la bujía si la porcelana está rota o si los electrodos están picados, quemados o atorados con depósitos.
4. Controle el espacio del electrodo con un calibre de separaciones y ajuste dicho espacio a 0,030 pulg (0,76 mm) si es necesario. Vea la figura 8.
5. Vuelva a instalar la bujía y ajuste bien.

NOTA: para el reemplazo se debe utilizar una bujía de resistor. Contacte con un centro de partes y reparación Sears para una bujía de repuesto.

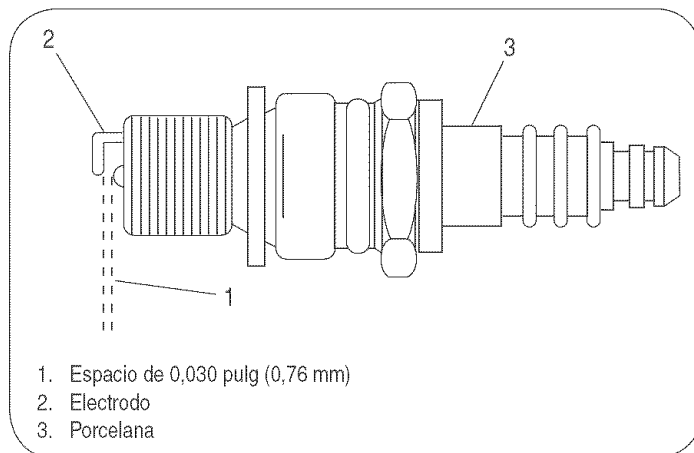


Figura 8

Carburador

Si cree que su carburador necesita un ajuste, consulte con un centro de partes y reparación Sears. El desempeño del motor no debe verse afectado a altitudes de hasta 7.000 pies (2.134 m). Para operaciones a mayor altitud, contacte con un centro de partes y reparación Sears.

Velocidad del motor



ADVERTENCIA: para evitar lesiones graves o la muerte, NO modifique el motor bajo ninguna circunstancia. Si cambia la configuración del regulador, el motor y el equipo pueden operar a velocidades inseguras. NUNCA cambie la configuración de fábrica del regulador del motor. Hacer funcionar el motor a una velocidad superior a la establecida en fábrica es peligroso.

SERVICIO Y AJUSTES

Ajuste del control de la barrena

Consulte la prueba de control de la barrena en la página 12 para ajustar dicho control.

Ajuste de control de la transmisión

ADVERTENCIA: NUNCA intente realizar ningún tipo de ajuste mientras el motor está encendido, excepto si se especifica así en este manual del operador.



Cuando se suelta el control de la transmisión y está en posición desenganchada arriba, el cable debe tener muy poco juego. NO debe estar tenso.

Compruebe el ajuste del control de la transmisión de la siguiente forma:

1. Cuando suelte el control de la transmisión, empuje suavemente la máquina quitanieve hacia delante. La unidad debería avanzar libremente.
2. Enganche el control de la transmisión e intente empujar suavemente la máquina quitanieve hacia delante. Las ruedas no deben girar. La unidad no debe avanzar libremente.
3. Con el control de la transmisión suelto, mueva la palanca de cambios hacia atrás y hacia delante entre la posición R2 y la posición F6 varias veces. No debería haber resistencia en la palanca de cambios.
4. Si falla cualquiera de las pruebas anteriores, es necesario ajustar el cable de la transmisión. Proceda de la siguiente manera:
5. Afloje la tuerca hexagonal inferior del soporte del cable de la transmisión. Vea la figura 9.
6. Ubique la ménsula hacia arriba para brindar más juego (o hacia abajo para aumentar la tensión del cable).
7. Vuelva a apretar la tuerca hexagonal superior.

Ajuste del montaje del canal

Es posible ajustar la distancia a la cual se arroja la nieve cambiando el ángulo del montaje del canal. Para hacerlo:

1. Detenga el motor quitando la llave de encendido y afloje la perilla a mariposa de plástico que se encuentra en el lado izquierdo del montaje del canal.
2. Gire el canal hacia arriba o hacia abajo antes de apretar la perilla a mariposa. Vea la figura 10.

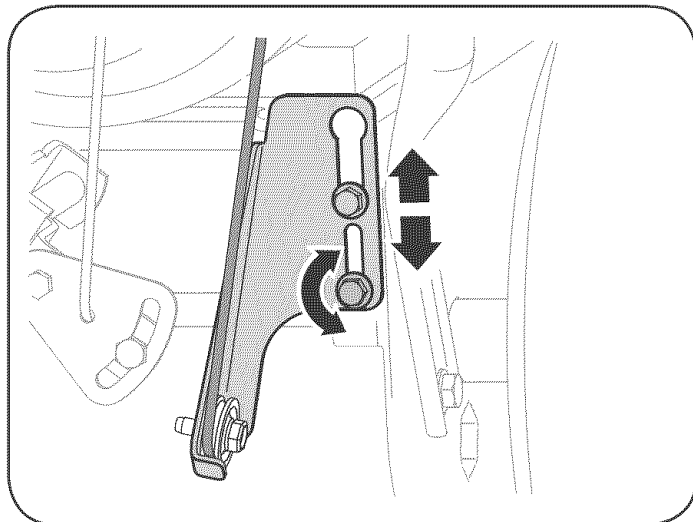


Figura 9

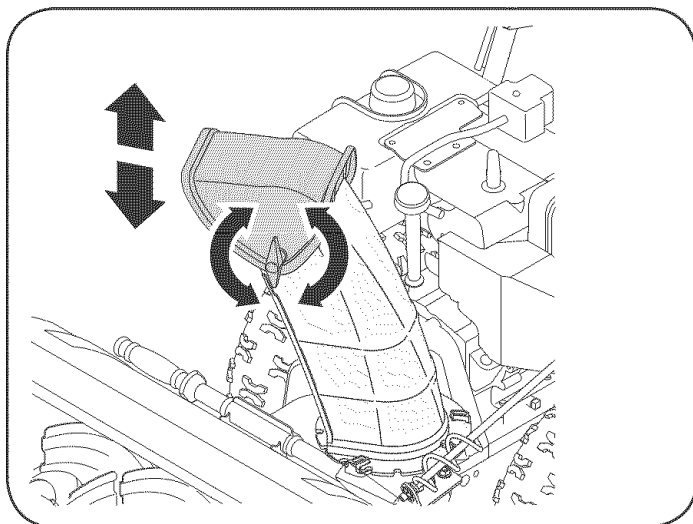


Figura 10

SERVICIO Y AJUSTES

Ajuste de la zapata antideslizante

Se puede ajustar el espacio que existe entre la zapata antideslizante y el suelo. Vea la figura 11.

- Si desea quitar nieve al ras del suelo, eleve más las zapatas antideslizantes en la caja de la barrena.
- Use las posiciones media o baja cuando la superficie que desee limpiar sea despareja, como un camino de grava.

Para ajustar las zapatas antideslizantes:

1. Afloje las cuatro tuercas hexagonales (dos en cada lado) y los pernos del carro. Mueva las zapatas antideslizantes a la posición deseada.
2. Compruebe que toda la superficie inferior de las zapatas antideslizantes esté contra el suelo para evitar un desgaste desparejo de los mismos.
3. Vuelva a ajustar bien las tuercas y los pernos.

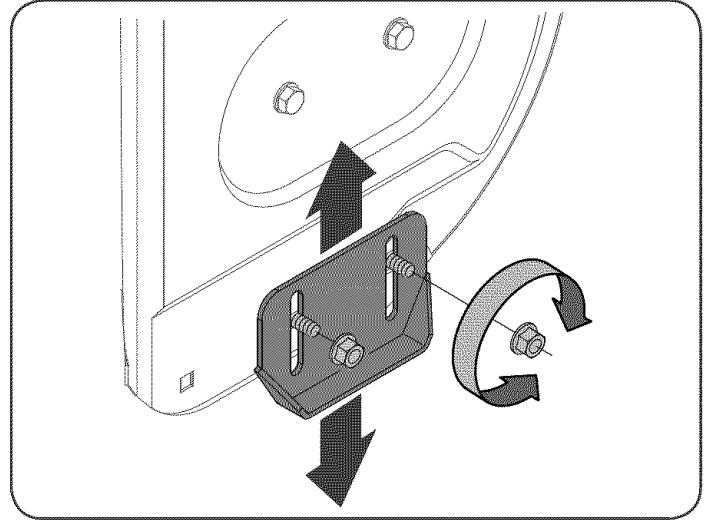


Figura 11

Ajuste del soporte del canal

Si la espiral situada en la parte inferior del control direccional del canal no se engancha completamente con el montaje del canal, es posible ajustar el soporte del canal. Para hacerlo:

1. Afloje las dos tuercas que sujetan el soporte del canal y cambie su posición ligeramente. Vea la figura 12.
2. Vuelva a ajustar las tuercas.

Presión de los neumáticos

Antes de cualquier operación, controle la presión de los neumáticos y reduzca la presión a entre 15 psi y 20 psi.

Si la presión de los neumáticos no es igual en ambos neumáticos, es posible que la unidad se incline hacia un lado u otro.

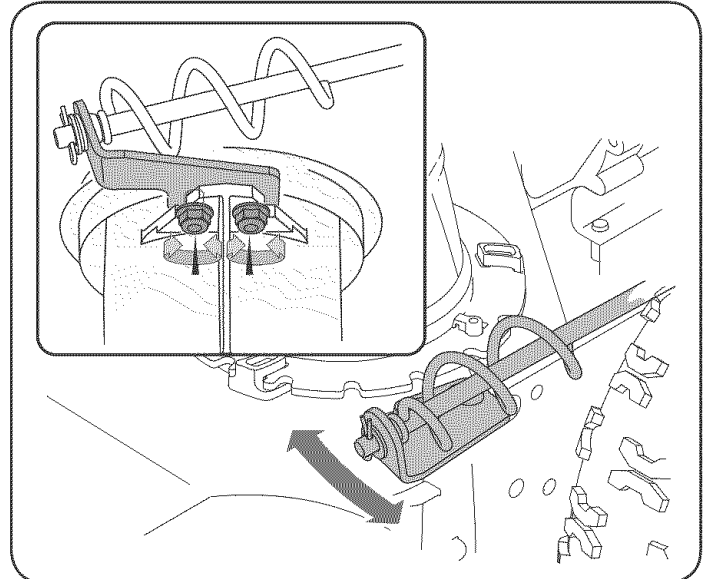
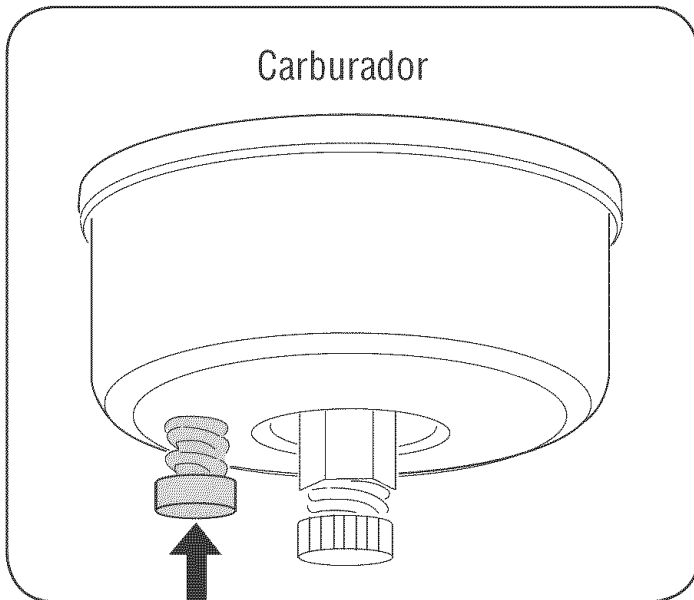


Figura 12

ALMACENAMIENTO FUERA DE TEMPORADA



Si no se va a utilizar el equipo durante 30 días o más, o si es el final de la temporada de nieve y ya no existe posibilidad de que nieve, es necesario almacenar el equipo de manera adecuada. Siga las instrucciones de almacenamiento que se indican a continuación para garantizar el rendimiento máximo de la máquina quitanieve durante muchos años.

Preparación del motor



ADVERTENCIA: nunca almacene la máquina quitanieve con combustible en el tanque en un espacio cerrado o en áreas con poca ventilación, donde los gases del combustible puedan alcanzar el fuego, chispas o una luz piloto como la que tienen algunos hornos, calentadores de agua, secadores de ropa o algún otro dispositivo a gas.

NOTA: es importante evitar que durante el almacenamiento se formen depósitos de goma en las piezas esenciales del sistema de combustible del motor como, por ejemplo, en el carburador, el filtro de combustible, la manguera de combustible o el depósito.

PRECAUCIÓN: A los combustibles con mezcla de alcohol (que se llaman gasohol, o que utilizan etanol o metanol) pueden atraer la humedad, lo que conduce a la separación y formación de ácidos durante el almacenamiento. El gas ácido puede dañar el sistema del combustible de un motor durante el almacenamiento del mismo.

Para evitar problemas con el motor, el sistema del combustible debe ser vaciado antes de almacenar la máquina durante 30 días o más. Siga estas instrucciones para preparar su máquina quitanieve para almacenarla:



ADVERTENCIA: drene el combustible dentro de un recipiente aprobado en un lugar exterior, lejos de todo tipo de fuego. Compruebe que el motor esté frío. No fume. El combustible que se deje en el motor se deteriora cuando el clima es cálido y causa graves problemas de encendido.

1. Saque toda la gasolina del carburador y del depósito de combustible para evitar la formación de depósitos de goma dentro de los mismos que pueden dañar el motor.
2. Ponga el motor en marcha hasta vaciar el depósito de combustible y hasta que el motor se detenga debido a la falta de combustible.
3. Drene el carburador presionando hacia arriba el drenaje de la taza, ubicado debajo de la cubierta del carburador. Vea la figura de la izquierda.



ADVERTENCIA: no drene el carburador si está utilizando un estabilizador de combustible. En el depósito de combustible no use nunca productos de limpieza para motores o carburadores o podría producir daños permanentes.

NOTA: El uso de estabilizadores de combustible (como STA-BIL) es una alternativa aceptable para minimizar la formación de depósitos de goma de combustible durante el almacenamiento. Agregue el estabilizador a la gasolina que se encuentra en el depósito de combustible o en el recipiente de almacenamiento. Respete siempre la proporción de mezclado que figura en el recipiente del estabilizador. Ponga el motor en marcha por lo menos 10 minutos después de agregar el estabilizador para permitirle llegar al carburador. No drene el carburador si está utilizando un estabilizador de combustible.

4. Retire la bujía y vierta (1) onza de aceite para motor a través del orificio de la bujía y hacia el interior del cilindro. Cubra el orificio de la bujía con un trapo y ponga el motor en marcha varias veces para distribuir el aceite. Reemplace la bujía.

Preparación de la máquina quitanieve

1. Cuando almacene la máquina quitanieve en un galpón de depósito metálico o con poca ventilación, tenga especial cuidado de realizarle un tratamiento anti-oxidante al equipo. Use aceite ligero o silicón para recubrir el equipo, especialmente las cadenas, los resortes, los cojinetes y los cables.
2. Elimine todo el polvo del exterior del motor y del equipo.
3. Siga las recomendaciones de lubricación en la sección de mantenimiento de este manual.
4. Almacene el equipo en un área despejada y seca.

SOLUCIÓN DE PROBLEMAS

Problema	Causa	Remedio
El motor no arranca	<ol style="list-style-type: none"> 1. La palanca de obturación no está en la posición ON (encendido). 2. Se ha desconectado el cable de la bujía. 3. El tanque de combustible está vacío o el combustible es viejo. 4. El motor no está cebado. 5. La bujía no funciona correctamente. 6. La línea del combustible está bloqueada. 7. La llave de seguridad no se encuentra en el encendido del motor 	<ol style="list-style-type: none"> 1. Ponga la palanca de obturación en la posición ON (encendido). 2. Conecte el cable a la bujía. 3. Llene el tanque con gasolina limpia y fresca. 4. Ceba el motor tal y como se indica en "Operación de su máquina quitanieve". 5. Limpie, ajuste la distancia disruptiva o cambie. 6. Limpie la línea del combustible. 7. Inserte la llave totalmente dentro del interruptor
El motor funciona de manera errática	<ol style="list-style-type: none"> 1. La unidad está funcionando en la posición CHOKE (obturación). 2. La línea del combustible está tapada o el combustible es viejo. 3. Agua o suciedad en el sistema del combustible. 4. Es necesario ajustar el carburador. 	<ol style="list-style-type: none"> 1. Cambie la palanca de obturación a la posición OFF (apagado). 2. Limpie la línea del combustible; llene el tanque con gasolina limpia y fresca. 3. Vacíe el tanque del combustible. Vuelva a llenarlo con combustible limpio. 4. Contacte con un centro de partes y reparación Sears.
El motor recalienta	<ol style="list-style-type: none"> 1. El carburador no está ajustado correctamente. 	<ol style="list-style-type: none"> 1. Contacte con un centro de partes y servicio Sears.
Demasiada vibración	<ol style="list-style-type: none"> 1. Hay piezas que están flojas o la barrena está dañada. 	<ol style="list-style-type: none"> 1. Detenga el motor de inmediato y desconecte el cable de la bujía. Ajuste todos los pernos y las tuercas. Si la vibración continúa, lleve la unidad a reparar a un centro de partes y reparación Sears.
Pérdida de potencia	<ol style="list-style-type: none"> 1. El cable de la bujía está flojo. 2. El orificio de ventilación del tapón de llenado del combustible está obstruido. 3. El orificio de escape está obstruido. 	<ol style="list-style-type: none"> 1. Conecte y ajuste el cable de la bujía. 2. Retire el hielo y la nieve del tapón de llenado del combustible. Compruebe que el orificio de ventilación no esté obstruido. 3. Contacte con un centro de partes y reparación Sears.
La unidad no se autopropulsa	<ol style="list-style-type: none"> 1. El cable del control de transmisión necesita un ajuste. 2. La correa de transmisión está floja o dañada. 	<ol style="list-style-type: none"> 1. Ajuste el cable del control de transmisión. Consulte la sección de ajustes. 2. Reemplace la correa de la transmisión.
La unidad no descarga la nieve	<ol style="list-style-type: none"> 1. El montaje del canal está tapado. 2. Hay un objeto extraño en la barrena. 3. El cable del control de la barrena necesita un ajuste. 4. La correa de la barrena está floja o dañada. 5. El/los pasador/es de cuchilla están cortados. 	<ol style="list-style-type: none"> 1. Detenga el motor de inmediato y desconecte el cable de la bujía. Limpie el montaje del canal y el interior de la caja de la barrena con la herramienta de limpieza o una varilla. 2. Detenga el motor de inmediato y desconecte el cable de la bujía. Retire el objeto de la barrena con la herramienta de limpieza o una varilla. 3. Consulte la sección de servicio y ajustes. 4. Consulte la sección de servicio y ajustes. 5. Reemplace con nuevo(s) pasador(es) de cuchilla

NOTA: en esta sección se analizan problemas menores de servicio. Si desea más detalles comuníquese con la línea de información de servicio de Sears al 1-800-4-MY-HOME.

NOTAS

NOTAS

Get it fixed, at your home or ours!

Your Home

For repair – **in your home** – of **all** major brand appliances, lawn and garden equipment, or heating and cooling systems, **no matter who made it, no matter who sold it!**

For the replacement parts, accessories and owner's manuals that you need to do-it-yourself.

For Sears professional installation of home appliances and items like garage door openers and water heaters.

1-800-4-MY-HOME® (1-800-469-4663)

Call anytime, day or night (U.S.A. and Canada)

www.sears.com www.sears.ca

Our Home

For repair of carry-in items like vacuums, lawn equipment, and electronics, call or go on-line for the location of your nearest

Sears Parts & Repair Center.

1-800-488-1222

Call anytime, day or night (U.S.A. only)

www.sears.com

To purchase a protection agreement (U.S.A.) or maintenance agreement (Canada) on a product serviced by Sears:

1-800-827-6655 (U.S.A.)

1-800-361-6665 (Canada)

Para pedir servicio de reparación a domicilio, y para ordenar piezas:

1-888-SU-HOGARSM

(1-888-784-6427)

Au Canada pour service en français:

1-800-LE-FOYER^{MC}

(1-800-533-6937)

www.sears.ca

The Sears logo is displayed in a stylized, bold font with a curved underline beneath the letters.

® Registered Trademark / ™ Trademark / ™ Service Mark of Sears, Roebuck and Co.

® Marca Registrada / ™ Marca de Fábrica / ™ Marca de Servicio de Sears, Roebuck and Co.

MC Marque de commerce / MD Marque déposée de Sears, Roebuck and Co.

© Sears, Roebuck and Co.