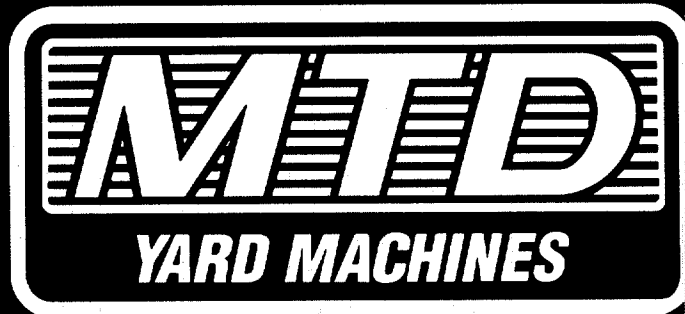


ILLUSTRATED PARTS

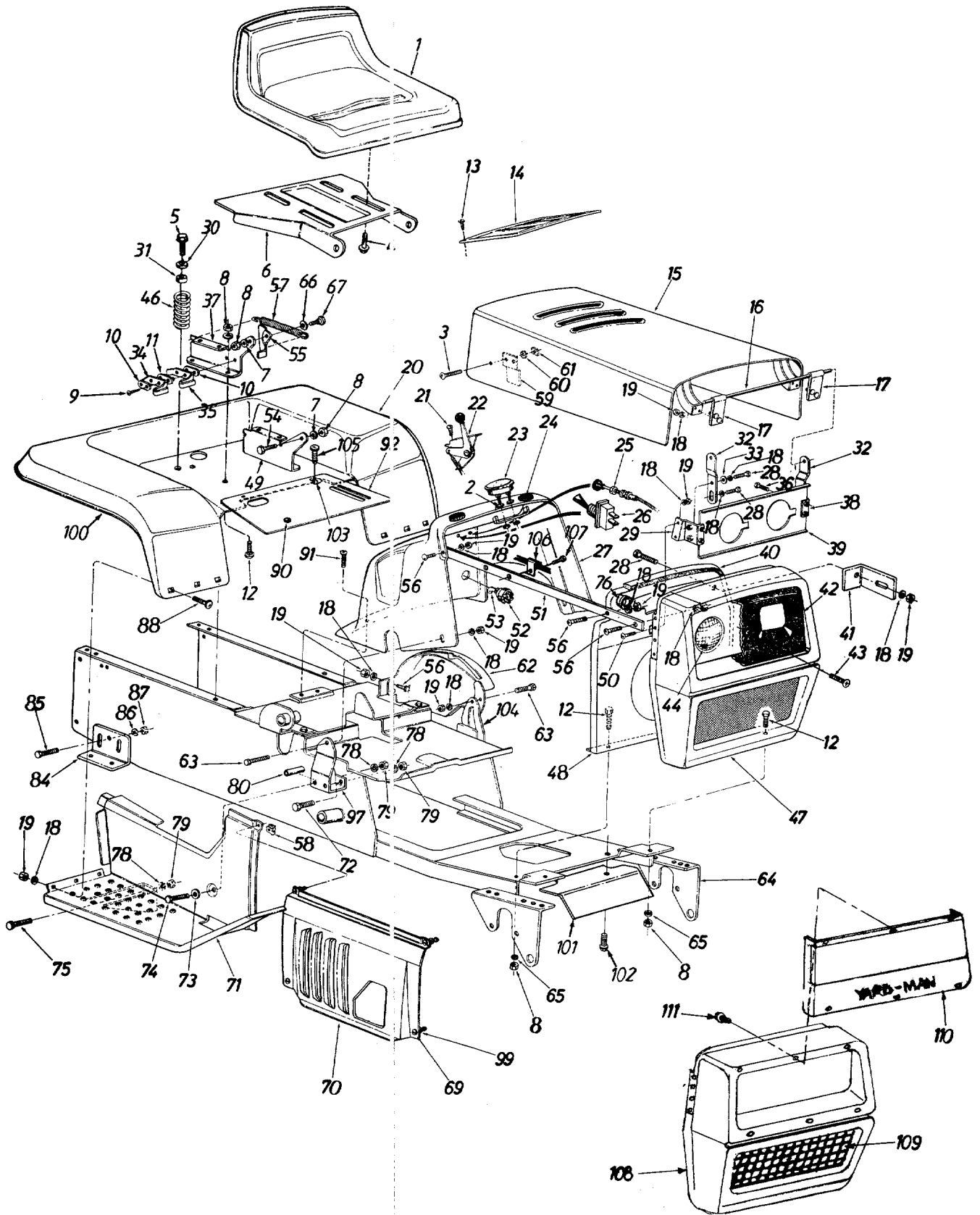
AMERICAN  AMERICAN
M A D E O W N E D
OUTDOOR POWER EQUIPMENT



1994

**Hydrostatic
Garden Tractors
998 Series**

Model 998



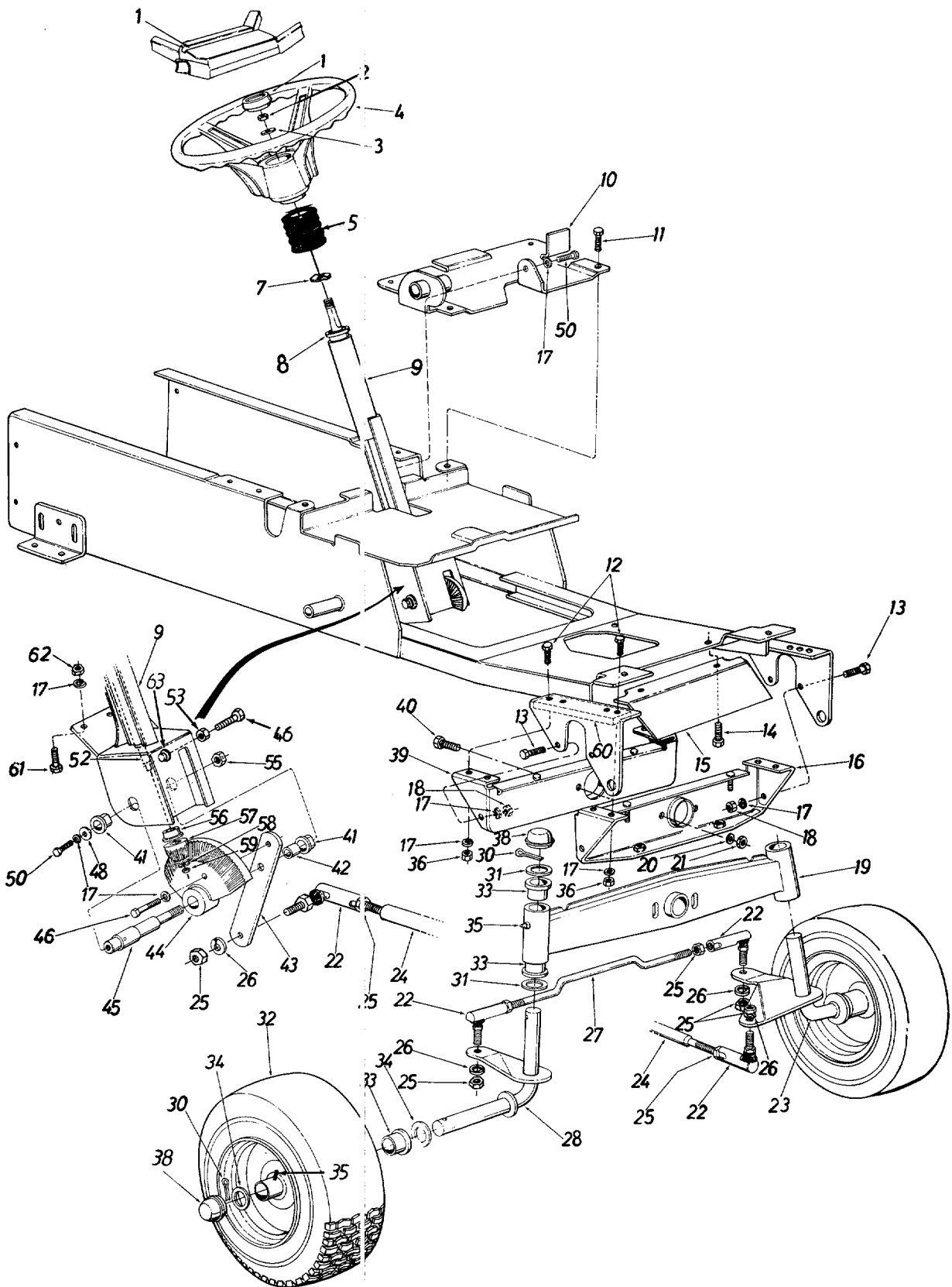
Model 998

PARTS LIST FOR MODEL 998 HYDROSTATIC TRACTOR

REF. NO.	PART NO.	CODE	DESCRIPTION	REF. NO.	PART NO.	CODE	DESCRIPTION
1	757-0350		Seat Ass'y. (Black)	52	725-1396		Ignition Switch
	757-0372		Seat Ass'y. (Yellow)	53	725-0201		Ignition Key
2	736-0722		L-Wash. .190" I.D.	54	738-0155		Shld. Bolt .437" Dia. x .162"
3	710-0192		Truss Hd. Mach. Scr. #10-24 x .38" Lg.	55	17239B		Seat Lift Bracket
				56	710-0252		Hex Bolt 1/4-20 x .75" Lg.*
4	710-0623		Hex Wash. Hd. Self-Tap Scr. 3/8-16 x .75" Lg.	57	732-0581B		Extension Spring 5.31" Lg.
				59	732-0391		Hood Spring
5	710-0601		Hex Wash. Hd. Tap Scr. 5/16-18 x .75" Lg.	60	736-0722		L-Wash. #10
				61	712-0121		Hex Nut #10-24 Thd.
6	783-0039		Seat Pivot Bracket	62	13528		Speed Control Guide
7	736-0119		L-Wash. 5/16" I.D.*	63	710-0255		Truss Mach. Scr. 1/4-20 x .75" Lg.*
8	712-0267		Hex Nut 5/16-18 Thd.*				
9	710-0227		Hex Wash. Hd. AB-Tap Scr. #8 x .5" Lg.	64	13509C	N	Frame Ass'y.
				65	736-0242		Bell-Wash. 5/16" I.D.
10	726-0279		Insulator Plate	66	736-0141		Spr. Wash. .445" I.D. x .75"
11	726-0278		Insulator Boss Plate	67	738-0296		Shld. Bolt .437" Dia. x .268"
12	710-0118		Hex Bolt 5/16-18 x .75" Lg.*	69	726-0167		1/4-Turn Stud
13	710-0697		Self-Tap Oval Hd. Scr. 1/2" Lg.	70	783-0108		Side Panel—R.H.
14	731-0384		Dash Panel Cover		783-0109		Side Panel—L.H. (Not Shown)
15	13472		Hood Ass'y.	71	683-0074		Foot Step Panel Ass'y.—R.H.
16	747-0231		Hinge Rod		683-0073		Foot Step Panel Ass'y.—L.H. (Not Shown)
17	13581		Hood Hinge Ass'y.				
18	736-0329		L-Wash. 1/4" I.D.*	72	710-0253		Hex Bolt 3/8-16 x 1.00" Lg. Grade 5
19	712-0287		Hex Nut 1/4-20 Thd.*				
20	783-0029		Rear Fender	73	736-0117		FI-Wash. .385" I.D. x .62" O.D.
	783-0140		Fender w/Taillight Hole	74	710-0194		Hex Bolt 3/8-16 x 3.00" Lg.*
21	710-0721		FI-Hd. Truss Scr. #10 x .62" Lg.	75	710-0253		Hex Bolt 3/8-16 x 1.00" Lg. Grade 5
22	746-0915		Throttle Control				
23	725-3141		Ammeter	76	723-3045		Snap Bushing††
24	735-0199A		Rubber Bumper	78	736-0169		L-Wash. 3/8" I.D.*
25	746-0914	N	Choke Control	79	712-0798		Hex Nut 3/8-16 Thd.*
26	725-0646		Light Switch	80	750-0261		Spacer .375" I.D. x .62" O.D. x 2.00" Lg.
27	731-0463		Dash Panel				
28	710-0258		Hex Bolt 1/4-20 x .62" Lg.*	84	13066		Transaxle Support Brkt.
29	13689		Hood Support Brkt. Ass'y.—R.H.	85	710-0617		Rd. Hd. Rib Neck Scr. 3/8-24
30	736-0159		FI-Wash. .344" I.D. x .875"	86	736-0217		L-Wash. 3/8" I.D.*
31	722-0160		Bushing	87	712-0328		Hex Nut 3/8-24 Thd. (Gr. 5)
32	13585		Hinge Rod Support	88	710-0167		Carr. Bolt 1/4-20 x .50" Lg.*
33	736-0211		FI-Wash. .250" I.D. x 1.25" O.D.	90	731-0405		Snap Bushing
34	725-1303		Safety Switch (Seat)	91	710-0618		FI-Hd. Self-Tap Scr. 1/4-20 x .62" Lg.
35	725-1439		Safety Switch (Seat)				
36	710-0294		Hex Bolt 1/4-20 x .38" Lg.*	92	13529		Transmission Cover
37	17950		Seat Pivot Support Brkt.—R.H.	97	13536		Dash Panel Mtg. Brkt.—R.H.
38	13690		Hood Support Brkt. Ass'y.—L.H.	99	726-0168		Retainer
39	13687		Head Lamp Retainer	100	731-0511-84		Trim Strip 84" Lg.
40	722-0136		Foam Strip	101	783-0113		Dust Shield
41	13724		Heat Shield Brkt.	102	710-0502A		Hex L-Wash. TT-Tap Scr. 3/8-16 Thd.
42	731-0465		Head Lamp Bezel				
43	710-0425		Truss Mach. Scr. #10-24 x .50" Lg.	103	712-0147		Speed Nut #10-24 Thd.
				104	683-0023		Dash Panel Mtg. Brkt.—L.H.
44	725-0222		Head Lamp	105	710-0473		Truss Mach. Scr. #10-24 x .5" Lg.
46	732-3075		Compression Spring 4.5" Lg.				
47	783-0101		Grille	106	726-0272		Clamp
48	783-0110		Heat Shield	107	710-0607		Self-Tap Scr. 5/16 x .5" Lg.
49	17951		Seat Pivot Support Brkt.—L.H.	108	14042		Grille (Yard-Man)
50	710-0286		Truss Mach. Scr. 1/4-20 x .75" Lg.*	109	731-0881		Grille Insert
				110	731-1498		Headlight Bezel
51	13725		Grille Strap	111	710-0227		Hex Wash. Hd. Scr. #8 x .5" Lg.

*For faster service obtain standard nuts, bolts and washers locally.
If these items cannot be obtained locally, order by part number
and size as shown on parts list.

Model 998



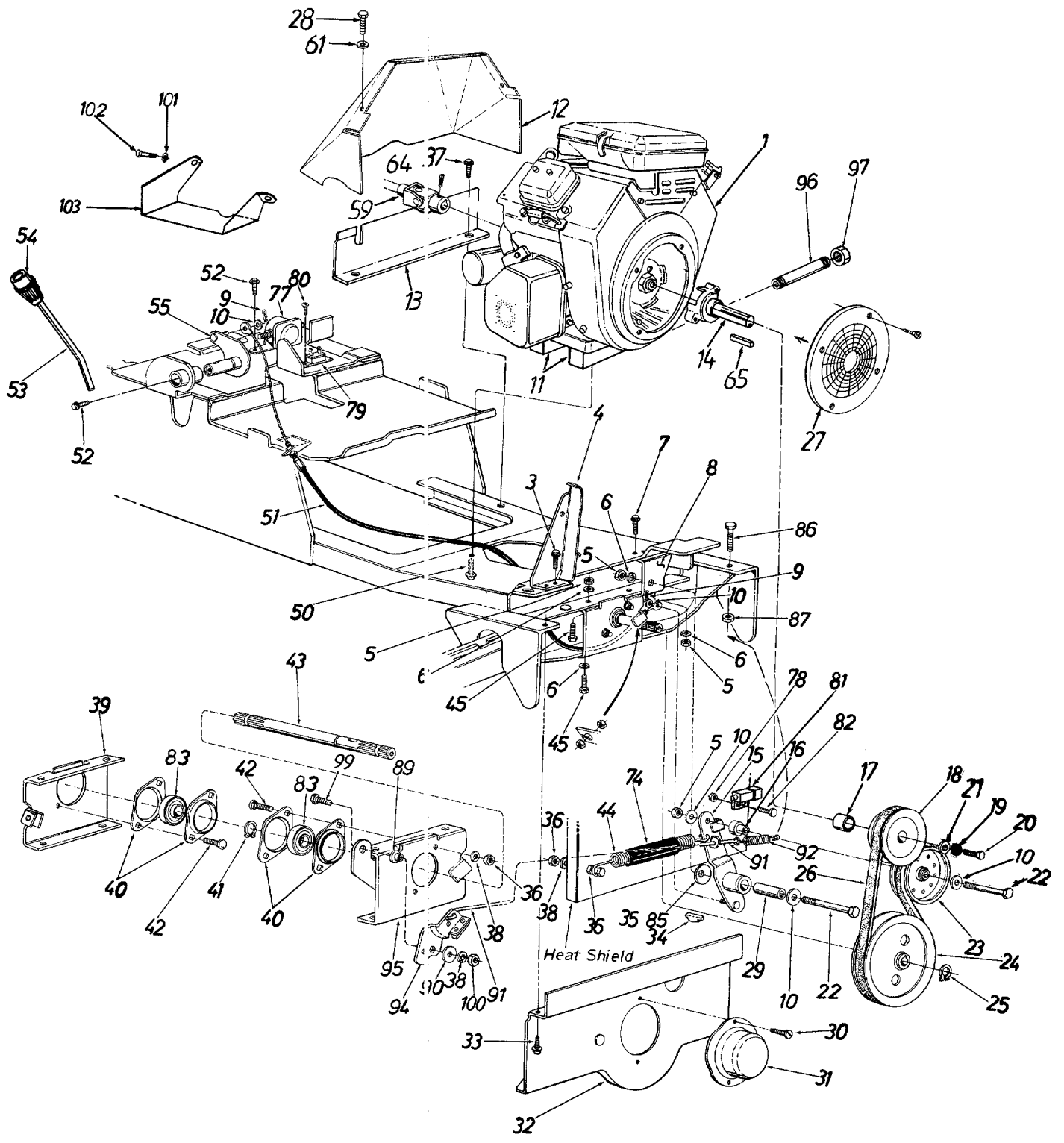
Model 998

PARTS LIST FOR MODEL 998 HYDROSTATIC TRACTOR

REF. NO.	PART NO.	CODE	DESCRIPTION	REF. NO.	PART NO.	CODE	DESCRIPTION
1	731-0220		Steering Wheel Cap	31	736-0259		Fl-Wash. 1.00" I.D. x 1.62" O.D.
	731-0955		Steering Wheel Insert (Optional)				
2	712-0237		Hex Cent. L-Nut 5/16-24 Thd.	32	734-1221		Front Wheel Ass'y. Comp.
3	736-0242		Bell-Wash. 5/16" I.D.		734-0787A		Front Wheel Rim Only
4	731-0806A		Steering Wheel		734-0294		Front Wheel Tire Only
5	731-0954		Steering Bellow		734-0255		Air Valve
7	736-0174		Wave Wash. .660" I.D. x .88" O.D.	33	731-0374		Flange Brg. 1" I.D.
				34	736-0259		Fl-Wash. 1" I.D. x 1.25" O.D.
8	741-0138		Ball Brg. .63" I.D. x 1.38" O.D.	35	737-0280		Grease Fitting
9	13515		Steering Column Ass'y.	36	712-0798		Hex Nut 3/8-16 Thd.*
10	13586		Dash Panel Base Plate Ass'y.	38	731-0349		Dust Cover
11	710-0623		Hex Self-Tap Scr. 3/8-16 x .75" Lg.	39	683-0047		Rear Pivot Brkt. Ass'y.
				40	710-0937		Hex Bolt 3/8-16 x 2.50" Lg.*
12	710-0344		Hex Bolt 3/8-16 x 1.50" Lg.*	41	741-0199		Flange Brg. w/Flats .753" I.D.
13	710-0253		Hex Bolt 3/8-16 x 1.00" Lg.*	42	750-0333		Steering Gear Shaft Spacer
14	710-0502		Hex Wash. S.F. Tap Scr. 3/8-16 x 1.25" Lg.	43	13132		Steering Arm
				44	748-0238		Bevel Gear
15	13547		Dust Shield	45	738-0342		Steering Gear Shaft
16	13032		Front Pivot Brkt. Ass'y.	46	710-0344		Hex Bolt 3/8-16 x 1.50" Lg.*
17	736-0169		L-Wash. 3/8" I.D.*	48	736-0133		Fl-Wash. .406" I.D. x 1.25" O.D.
18	712-0798		Hex Nut 3/8-16 Thd.*	50	710-0216		Hex Bolt 3/8-16 x .75" Lg.*
19	13008		Pivot Bar Ass'y.	52	738-0408		Steering Shaft
20	736-0219		Bell-Wash. 3/8" I.D.*	53	712-0342		Hex Jam Nut 3/8-16 Thd.
21	712-0375		Hex Cent. L-Nut 3/8-16 Thd.*	55	712-0200A		Hex Ins. L-Nut 1/2-20 Thd.
22	723-0179		Drag Link End	56	748-0227A		Hex Flange Brg. .630 I.D.
23	13001		Axle Ass'y.—L.H.	57	748-0237		Pinion Gear
24	747-0294		Drag Link	58	736-0264		Fl-Wash. 3/8" Dia.
25	712-0922		Hex Nut 1/2-20 Thd.	59	712-0237		Hex Cent. L-Nut 5/16-24 Thd.
26	736-0921		L-Wash. 1/2" I.D.*	60	13539		Spacer
27	747-0279		Tie Rod	61	710-0152		Hex Bolt 3/8-24 x 1.00" Lg.*
28	13002		Axle Ass'y.—R.H.	62	712-0241		Hex Nut 3/8-24 Thd.*
30	714-0142		Cotter Pin 3/16" Dia. x 1.50" Lg.*	63	731-0988		Cap

*For faster service obtain standard nuts, bolts and washers locally. If these items cannot be obtained locally, order by part number and size as shown on parts list.

Model 998



Model 998

PARTS LIST FOR MODEL 998 HYDROSTATIC TRACTOR

REF. NO.	PART NO.	CODE	DESCRIPTION	REF. NO.	PART NO.	CODE	DESCRIPTION
1	—		Engine	42	710-0451		Carr. Bolt 5/16-18 x .75" Lg.*
3	710-0642		Hex Wash. Hd. Self-Tap Scr. 1/4-20 x .75" Lg.	43	738-0395		Spline Shaft
4	13590		Belt Guard	44	732-0262		Extension Spring (PTO Clutch)
5	712-0798		Hex Nut 3/8-16 Thd.*	45	710-0253		Hex Scr. 3/8-16 x 1.00" Lg.*
6	736-0169		L-Wash. 3/8" I.D.*	50	710-1035		Hex L-Wash. TT-Tap Scr. 3/8-16 Thd.
7	710-0601		Hex Wash. Hd. Self-Tap Scr. 5/16-18 x .75" Lg.	51	746-0341		PTO Control Cable
8	13554		PTO Support Brkt.	53	747-0211		PTO Handle
9	714-0101		Hairpin Cotter 1/2" Dia.	54	720-0218		Shift Knob
10	736-0133		FI-Wash. .38" I.D. x 1.25" O.D. x .100" Thk.	55	13587		PTO Actuator Lever Ass'y.
11	783-0112		Engine Spacer Bar	59	647-0012		Universal Drive Shaft Comp.
12	783-0107		Engine Heat Shroud	61	736-0142		FI-Wash. .281" I.D. x .5" O.D.
13	783-0111		Heat Baffle—Lower	64	710-0666		Set Scr. 5/16-18 x .38" Lg.
14	751-0565		Crankshaft Ext.	65	714-0114		Sq. Key 1/4" x 2.00" Lg.
15	13550		PTO Idler Ass'y.	74	731-0466		Spring Cover Tubing (PTO Clutch)
16	711-0598		Idler Adapter	77	725-1426		Solenoid
17	750-0782		Pulley Spacer	78	710-0289		Hex Bolt 1/4-20 x 1/2" Lg.
18	756-0601		Engine PTO—Pulley	79	725-1382		Circuit Breaker
19	736-0169		L-Wash. 3/8" I.D.	80	710-0351		Truss Mach. Scr. #10 x .50" Lg.
20	710-0696		Hex Bolt 3/8-24 x .88" Lg.	81	725-3169A		Safety Switch (PTO)
21	736-0320		FI-Wash. 3/8" I.D. x 1.37" O.D.	82	736-0329		L-Wash. 1/4" I.D.*
22	710-0937		Hex Bolt 3/8-16 x 2.50" Lg.*	83	741-0303		Ball Bearing
23	711-0306		Flat Idler Pulley	84	751-0241		Muffler Ass'y. Comp.—L.H. (Not Shown)†
24	756-0309		1/2" V-Pulley 7.00" O.D. (PTO)	85	736-0331		Bell-Wash. .39" I.D. x 1.13"
25	716-0127		Snap Ring	86	710-0344		Hex Bolt 3/8-16 x 1.5" Lg.*
26	754-0234		"V"-Belt (PTO)	87	712-3000		Hex Cent. L-Nut 3/8-16 Thd.
27	751-0573		Engine Screen	88	712-0123		Hex Nut 5/16-24 Thd.
28	710-3209		Hex Bolt M6-1.0 x 10 MM Lg.	89	736-0289		Shoulder Spacer
29	750-0374		Spacer .375" I.D. x .62" O.D. x 1.830" Lg.	90	736-0362		FI-Wash. .33" I.D. x 1.25" O.D.
30	710-0224		Hex "B" Tap Scr. #10 x .50" Lg.	91	747-0874		PTO Brake Rod
31	13546		PTO Cup	92	732-0339		Extension Spring 2.15" Lg.
32	13542		PTO Belt Guard Ass'y.	93	13550		PTO Idler Arm Ass'y.
33	710-0601		Hex Wash. Self-Tap Scr. 5/16-18 x .75	94	17116		Brake Ass'y.
34	714-0154		#91 Hi-Pro Key	95	683-0013		PTO Brg. Retainer Brkt. Ass'y.
35	710-0528		Hex Bolt 5/16-18 x 1.25" Lg.	96	737-0164		Pipe Nipple 3/8" x 5" Lg.
36	712-0267		Hex Nut 5/16-18 Thd.*	97	737-0143		Oil Drain Cap
37	710-0607		Hex Wash. Hd. Tap Scr. 5/16-18 x .5" Lg.	98	726-0272		Clamp
38	736-0119		L-Wash. 5/16" I.D.*	99	710-0157		Hex Bolt 5/16-24 x .75" Lg.
40	741-0242		1.00" Dia. Brg. w/Flangette	100	712-0123		Hex Nut 5/16-24 Thd.
41	716-0127		Snap Ring	101	736-0171		L-Wash. 7/16" I.D.
				102	710-3030		Hex Bolt 7/16-14 x .75" Lg.
				103	783-0237	N	Heat Shield

*For faster service obtain standard nuts, bolts and washers locally.
If these items cannot be obtained locally, order by part number
and size as shown on parts list.

56

DRIVE SHAFT

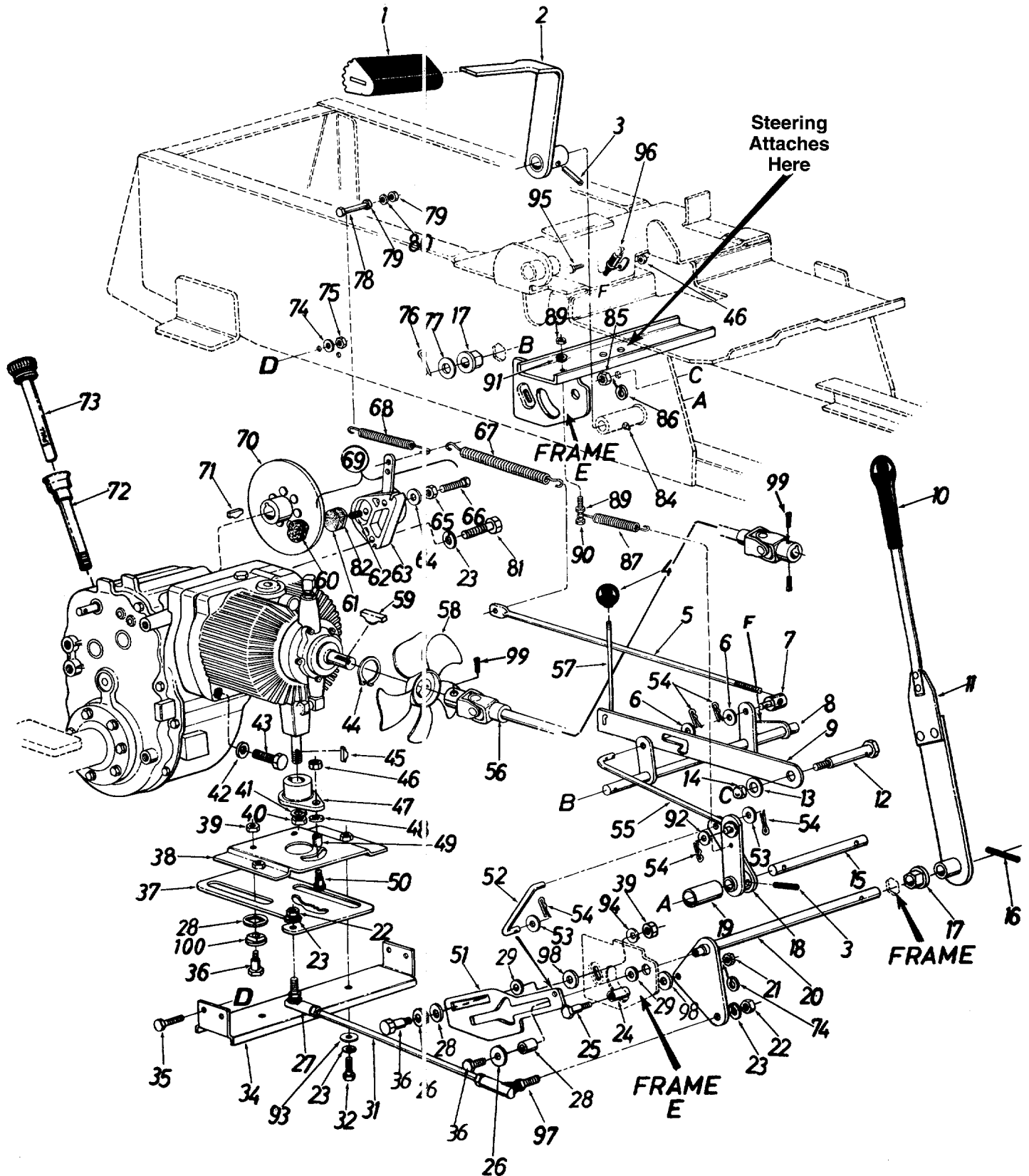
717-0402

25.76" LG

Model 998

647-0012
BES VANGUARD

28.1" LG.

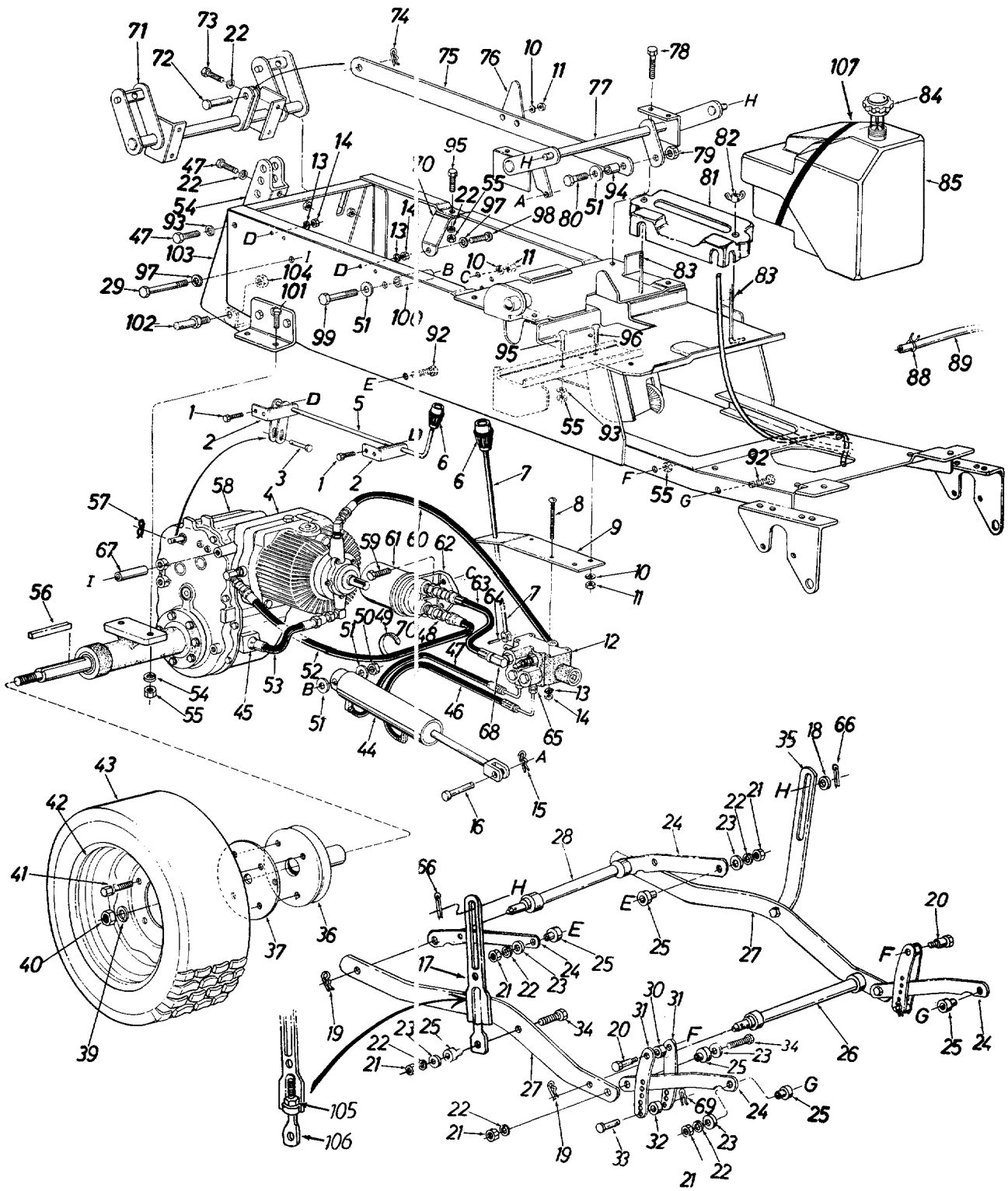


Model 998

PARTS LIST FOR MODEL 998 HYDROSTATIC TRACTOR

REF. NO.	PART NO.	CODE	DESCRIPTION	REF. NO.	PART NO.	CODE	DESCRIPTION
1	735-0189		Foot Pad	49	741-0154		Needle Brg. .31" I.D. x .50" O.D. x .437" Lg.
2	13080		Foot Pedal Brkt. Ass'y.—R.H.	50	710-0491		Shld. Bolt .31" Dia. x .500
3	715-0114		Spring Pin Spiral 1/4" Dia. x 1.50" Lg.*	51	13556A		Neutral Control Slide
4	720-0166		Ball Knob—Brake	52	747-0873		Neutral Control Rod
5	747-0283		Brake Rod	53	736-0264		FI-Wash. .312" I.D. x .630" O.D. x .063"
6	736-0101		FI-Wash. .375" I.D. x 1.00" O.D. x .030"	54	714-0104		Hairpin Cotter
7	711-0198		Ferrule	55	13702		Brake Link Rod Ass'y.
8	13548A		Brake Transfer Shaft Ass'y.	56	647-0012		Universal Drive Shaft Comp. ^{B: S}
9	13523		Parking Brake Cam	57	747-0282		Parking Brake Link ^{VANBURN}
10	720-0223		Grip	58	731-0317		Fan Ass'y.
11	13787		Control Arm Ass'y. Comp.	59	714-0388		#61 Hi-Pro Key 3/16 x 5/8" Dia.
12	738-0186		Shld. Bolt .62" Dia. x 2.75" Lg.	60	HU-24-13772		Lining—Brake
13	736-0187		FI-Wash. .460" I.D. x 1.24" O.D. x .06"	61	HU-24-13772		Lining—Brake
14	712-0222		Push Speed Nut for .625" Dia. Shaft	62	HU-39-13774		Actuator Pin
15	738-0402		Brake Pivot Shaft	63	HU-39-14232		Housing with Lever and Pin
16	715-0114		Spring Pin Spiral 1/4" Dia. x 1.50" Lg.*	64	HU-20-9764		Washer
17	741-0225		Hex Flange Brg. Plastic .62" I.D.	65	HU-37-13818		Nut
18	13505B		Brake Lever Ass'y.	66	HU-39-13775		Adjustment Pin
19	750-0181		Spacer	67	732-0260		Extension Spring .50" O.D. x 6.5" Lg.
20	683-0020		Control Handle Shaft Ass'y.	68	732-0429A		Extension Spring (Brake Return)
21	712-0158		Hex Cent. L-Nut 5/16-18 Thd.	69	761-0170		Disc Brake Ass'y. Comp.
22	712-0241		Hex Nut 3/8-24 Thd.*	70	761-0142		Brake Disc Ass'y.
23	736-0169		L-Wash. 3/8" I.D.*	71	714-0137		Hi-Pro Key 3/16 x 3/4" Dia.
24	748-0270		Spacer	72	751-0239		Dipstick Tube Ass'y.
25	738-0138		Shoulder Bolt	73	751-0240		Dipstick Ass'y.
26	736-0406		FI-Wash. 7/16" I.D. x 1-3/8" O.D.	74	736-0119		L-Wash. 5/16" I.D.*
27	723-0351		Ball Joint Ass'y. 3/8-24 Thd.—L.H.	75	712-0267		Hex Nut 5/16-18 Thd.*
28	750-0915		Spacer	76	714-0115		Cotter Pin 1/8" Dia. x 1.00" Lg.*
29	736-0362		FI-Wash. .325" I.D. x 1.25" O.D.	77	736-0162		FI-Wash. .635" I.D. x 1.00" O.D. x .120" Thk.
30	710-0643		Hex Ins. Bolt 5/16-18 x 1.00" Lg.	78	710-0102		Hex Scr. 1/4-20 x 2.50" Lg.*
31	747-0365		Tie Rod	79	712-0287		Hex Nut 1/4-20 Thd.*
32	710-0216		Hex Bolt 3/8-16 x .75" Lg.*	80	736-0329		L-Wash. 1/4" I.D.*
34	13562		Support Channel	81	710-0342		Hex Scr. 3/8-16 x 1.25" Lg.*
35	710-0118		Hex Bolt 5/16-18 x .75" Lg.*	82	HU-25-13808		Backing Plate
36	738-0296		Shld. Bolt .437" Dia. x .268"	84	737-0280		Grease Fitting
37	13555		Cam Plate	85	712-0240		Hex Nut 7/16-20 Thd.*
38	13557		Slide Mtg. Plate Ass'y.	86	736-0171		L-Wash. 7/16" I.D.*
39	712-0158		Hex Cent. L-Nut 5/16-18 Thd.	87	732-0121		Extension Spring
40	712-0206		Hex Nut 1/2-13 Thd.*	89	712-0287		Hex Nut 1/4-20 Thd.*
41	736-0921		L-Wash. 1/2" I.D.*	90	710-0106		Hex Bolt 1/4-20 x 1.25" Lg.*
42	736-0300		FI-Wash. .385" I.D. x .87" O.D. x .060"	91	736-0329		L-Wash. 1/4" I.D.*
43	710-0492		Socket Hd. Scr. 3/8-16 x 2.75" Lg.	92	736-0101		FI-Wash.
44	716-0123		Snap Ring	93	736-0427		FI-Wash. .38" I.D. x 1.25" O.D.
45	714-0131		#5 Hi-Pro Key 1/8" x 5/8" Dia.	94	736-0242		Bell-Wash.
46	712-0107		Hex Cent. L-Nut 1/4-20 Thd.	95	710-0289		Hex Bolt 1/4-20 x 1/2" Lg.
47	13559		Pintle Plate Ass'y.	96	725-1657	N	Safety Switch
48	736-0142		FI-Wash. .281" I.D. x .50" O.D. x .063"	97	723-0156		Ball Joint Ass'y. 3/8-24 Thd.—R.H.
				98	736-3081		FI-Wash. .32" I.D. x .6" O.D.
				99	710-0666		Set Screw 5/16-18 x .38" Lg.
				100	736-0436		Thrust Washer

Model 998



Model 998

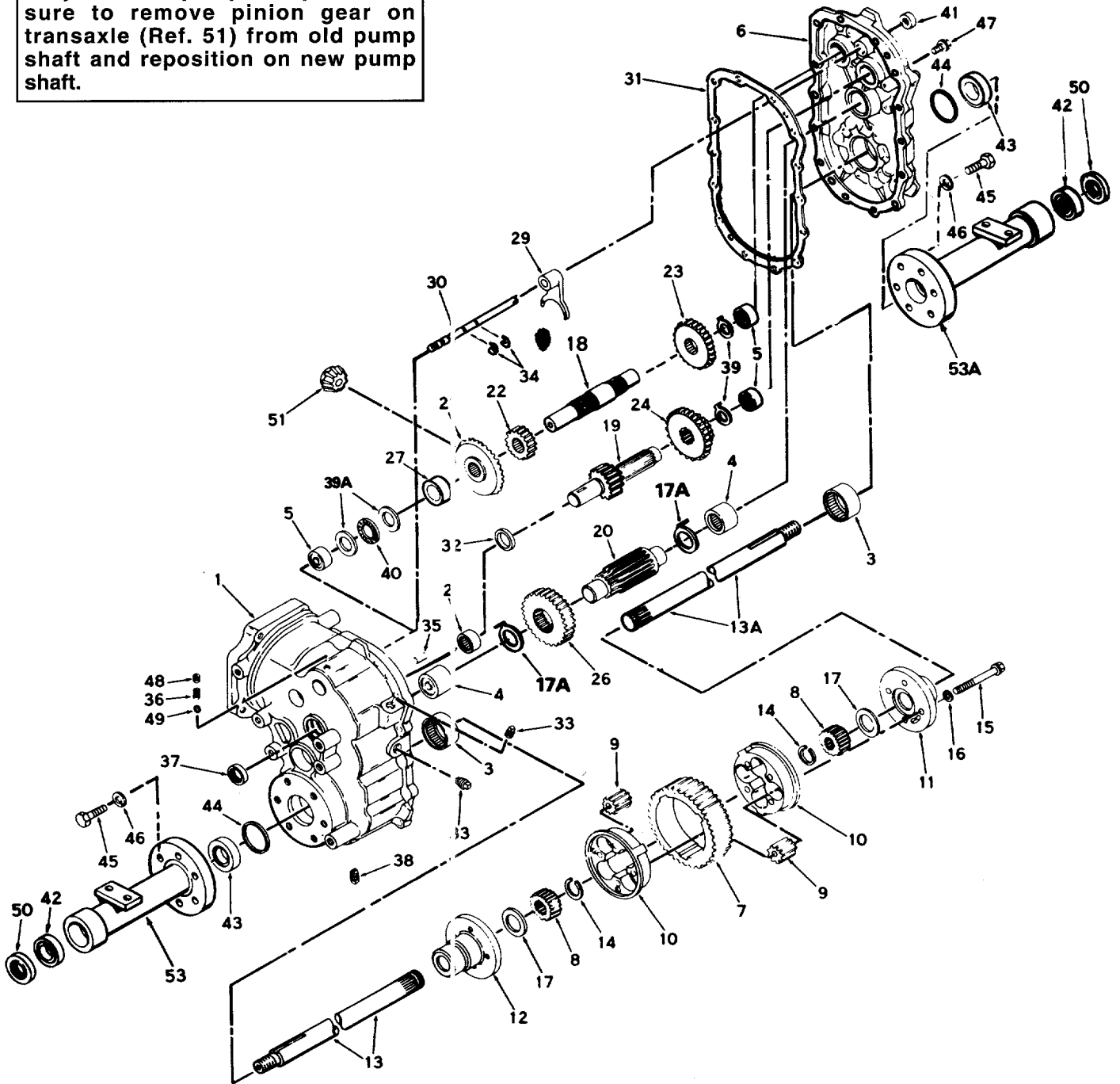
PARTS LIST FOR MODEL 998 HYDROSTATIC TRACTOR

REF. NO.	PART NO.	CODE	DESCRIPTION	REF. NO.	PART NO.	CODE	DESCRIPTION
1	710-0237		Hex Bolt 1/4-20 x .75" Lg.*	52	727-0217		Filter Return Hose 24" Lg.
2	13524		Hi-Lo Speed Control Brkt.	53	749-0309		Pump Tube Ass'y.
3	711-0684		Clevis Pin 1/4" Dia.	54	13026		Hitch Brkt.
4	717-0344		Hydrostatic Pump Comp.	55	712-0798		Hex Nut 3/8-16 Thd.*
5	13532		Hi-Lo Control Handle Ass'y.	56	714-0114		Sq. Key 1/4" x 1/4" x 2"
6	720-0232		Shift Knob	57	714-0104		Hairpin Cotter 1/4" Dia.
7	13531		Cylinder Control Handle Ass'y.	58	—		Peerless Transaxle (See Breakdown)
8	710-0105		Truss Mach. Scr. 1/4-20 x 3.00" Lg.*	59	710-0528		Hex Bolt 5/16-18 x 1.25"
9	13534		Valve Base Plate	60	727-0167		Pump to Valve Hose
10	736-0119		L-Wash. 5/16" I.D.*	61	727-0162		Fram Filter Ass'y. PH-16
11	712-0267		Hex Nut 5/16-18 Thd.*	62	727-0163		Filter Base
12	727-0200		Valve Ass'y. Comp.	63	727-0218		Valve to Filter Hose—8.38"
13	736-0329		L-Wash. 1/4" I.D.*	64	715-0129		Spring Pin Spiral 1/8" Dia.
14	712-0287		Hex Nut 1/4-20 Thd.*	65	727-0187		Flare Adapter
15	714-0101		Hairpin Cotter 1/2" Dia.	66	714-0115		Cotter Pin 1/8" Dia. x 1.0"
16	711-0140		Clevis Pin 1/2" Dia.	67	750-0417		Spacer
17	683-0031	N	Adj. Deck Link	68	727-0175		Adapter 9/16-18 to 9/16-18
18	736-0156		FI-Wash. .62" I.D. x 1.12"	69	714-0145		Hairpin Cotter
19	714-0147		Hairpin Cotter	70	13530		Transmission Brace
20	738-0148		Shld. Bolt .498" Dia. x .66"	71	13135		Rear Lift Shaft Ass'y.
21	712-0241		Hex Nut 3/8-24 Thd.*	72	711-0654		Clevis Pin
22	736-0217		L-Wash. 3/8" I.D.—H.D.	73	710-0514		Hex Scr. 3/8-16 x 1.00" Lg. Grade 5
23	736-0258		FI-Wash. .38" I.D. x 1.00"	74	714-0470		Cotter Pin 1/8" Dia. x 1.25"
24	13151		Lift Arm	75	13709		Push Bar Ass'y.
25	750-0526		Spacer .385" I.D.	76	13535		Position Indicator
26	13729		Cross Shaft Ass'y.—Front	77	13501		Lift Shaft Ass'y.
27	13139		Lift Arm Link	78	710-0649		Hex Self-Tap Scr. 3/8-24 x .88" Lg.
28	13728		Cross Shaft Ass'y.—Rear	79	712-0239		Hex Cent. L-Nut 1/2-20 Thd.
29	710-0490		Hex Bolt 1/2-13 x 2.75"	80	710-0504		Hex Scr. 1/2-20 x 1.25" Lg.*
30	711-0146		Collar .50" I.D. x 1.0"	81	731-0707		Battery Cover
31	13545		Index Brkt.	82	712-0113		Wing Nut 1/4-20 Thd.
32	711-0242		Spacer .38" I.D. x 1.0" O.D.	83	711-0222		Battery Hold Down Rods
33	711-0173		Clevis Pin 3/8" Dia.	84	751-0226		Gas Tank Cap
34	710-0459		Hex Bolt 3/8-24 x 1.50" Lg.— Grade 5	85	751-0238A	N	Gas Tank Ass'y.
35	13570		Deck Link	88	726-0205		Gas Line Clamp 1/2"
36	13572		Rear Wheel Hub Ass'y.	89	751-0535-46		Gas Line 46" Lg.
37	13574		Hub Plate	92	710-0459		Hex Scr. 3/8-24 x 1.50" Lg.*
39	736-0364		L-Wash. 3/4" I.D.	93	736-0169		L-Wash. 3/8" Scr.*
40	712-0288		Hex Ins. L-Nut 3/4-16 Thd.	94	750-0336		Push Bar Sleeve
41	710-0470		Wheel Lug Bolt	95	710-0253		Hex Scr. 3/8-16 x 1.00" Lg.— Grade 5
42	734-0935		Rear Wheel Rim Only	96	710-0118		Hex Scr. 5/16-18 x .75" Lg.*
43	734-0934		Rear Wheel Ass'y. Comp. 27 x 9.50	97	736-0921		L-Wash. 1/2" Scr.*
	734-0397		Tire Only 27 x 9.50	98	710-0474		Hex Scr. 1/2-13 x 1.25" Lg.*
	734-0936		Air Valve	99	710-0515		Hex Scr. 1/2-20 x 31/2" Lg.— Grade 5
44	727-0159		Hydraulic Cylinder	100	750-0443		Spacer for Cylinder
45	727-0220		7/8-14 UNF-2A Thd. 5/8 Tube Fitting	101	710-0347		Hex Scr. 3/8-16 x 1.75" Lg.*
46	727-0219		Valve to Cylinder Hose—20"	102	711-0497		Link Clevis Pin
47	710-0216		Hex Bolt 3/8-16 x .75" Lg.— Grade 5	103	13196		Hitch Plate Ass'y.
48	727-0222		Bushing Reducer 1/2-14 NPTF to 3/8-18 NPTF	104	712-0923		Hex Cent. L-Nut 5/8-18 Thd.
49	726-0178		Cable Tie	105	712-0206		Hex Nut 1/2-13 Thd.
50	712-0922		Hex Jam Nut 1/2-20 Thd.	106	711-0817		Eye Bolt
51	736-0179		FI-Wash. .50" I.D. x 1.25"	107	726-0288		Tie Strap

Model 998

NOTE

If hydrostatic pump is replaced, be sure to remove pinion gear on transaxle (Ref. 51) from old pump shaft and reposition on new pump shaft.



Model 998

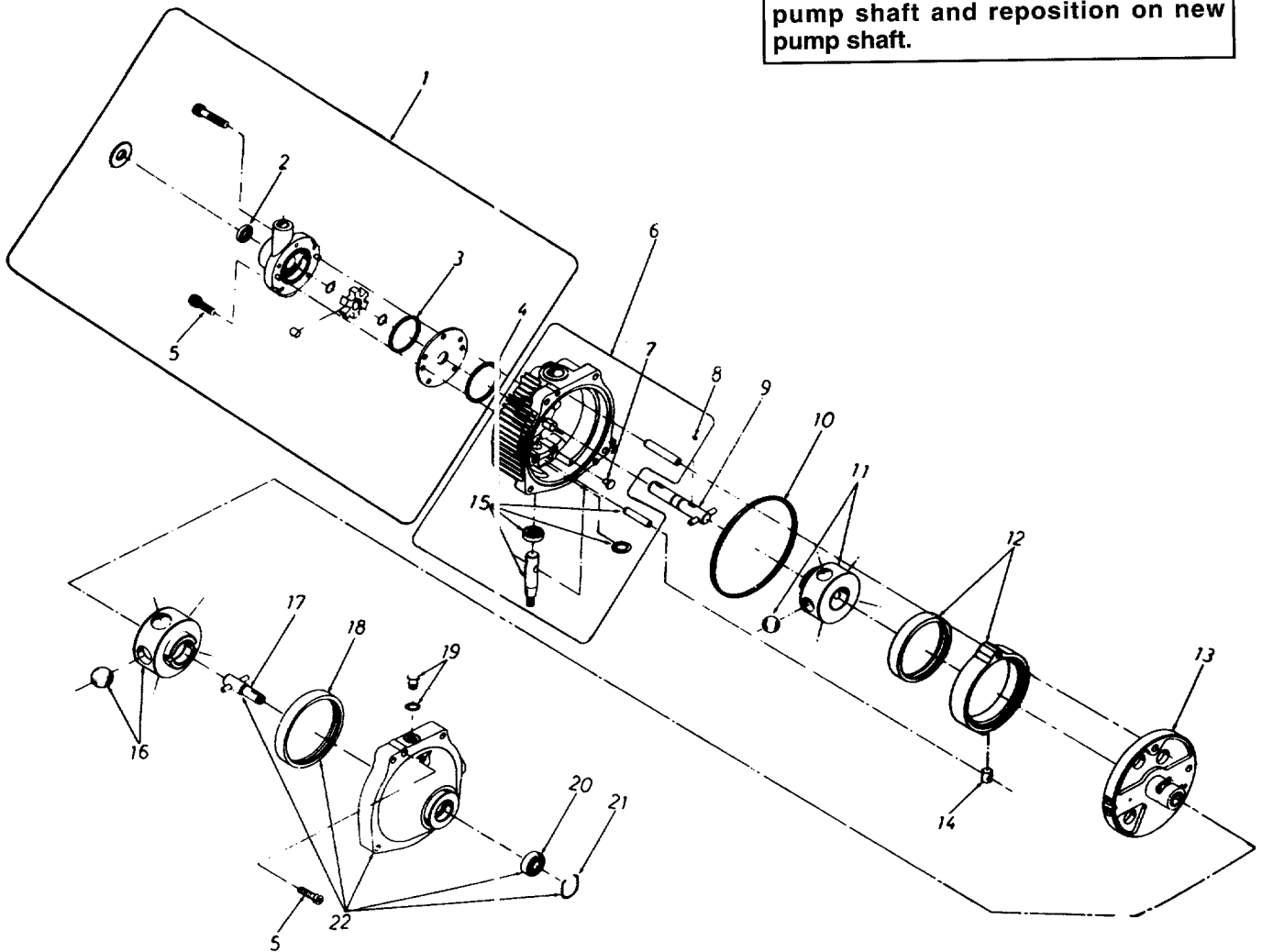
PARTS LIST FOR TRANSAXLE MODEL 2526B

REF. NO.	PART NO.	DESCRIPTION	REF. NO.	PART NO.	DESCRIPTION
1	PE-770060A	Case Ass'y., Transaxle (Incl. Nos. 2 thru 5)	26	PE-778098	Gear, Output (37 Teeth)
2	PE-780097	Bearing, Needle	27	PE-786094	Spacer (55/64" Long)
3	PE-780098	Bearing, Needle	29	PE-784195	Fork, Shift
4	PE-780099	Bearing, Needle	30	PE-784196	Rod, Shift
5	PE-780100	Bearing, Needle	31	PE-788047	Gasket, Case and Cover
6	PE-772065	Cover Ass'y., Transaxle (Incl. 3, 4 & 5)	32	PE-780005	Spacer
7	PE-778084	Gear, Ring	33	PE-792010	Plug, Pipe
8	PE-778085	Gear, Side	34	PE-792064	Ring, Snap
9	PE-778086	Gear, Pinion	35	PE-786026	Pin, Dowel
10	PE-786054	Core, Body	36	PE-792003	Spring
11	PE-774199	Carrier, Differential	37	PE-788008	Seal, Oil
12	PE-774200	Carrier, Differential	38	PE-792019	Plug, Magnetic Drain
13	PE-774390	Axle, (18-17/64" Long)	39	PE-780045	Washer, Thrust
13A	PE-774389	Axle, (15-29/64" Long)	40	PE-780012	Bearing, Thrust
14	PE-792062	Ring, Snap	41	PE-788034	Seal, Oil
15	PE-792063	Screw, Hex Hd. Mach., 3/8-16 x 3-3/8	42	PE-780103	Bearing, Ball
16	PE-792011	Lock Washer, 3/8"	43	PE-780104	Bearing, Thrust
17	PE-780101	Washer, Thrust	44	PE-788048	Seal, Square Cut
17A	PE-780156	Washer, Thrust	45	PE-792065	Screw, Hex Hd. Mach., 1/2-13 x 11/2
18	PE-776209	Shaft, Counter	46	PE-792066	Lock Washer, 1/2"
19	PE-776122	Shaft, Brake	47	PE-792067	Screw, Hex Hd. Thd. Forming, 5/16-18 x 1
20	PE-776120	Pinion, Output	48	PE-792068	Screw, Set 1/4-20 x 1/2
21	PE-778087	Gear, Bevel (30 Teeth)	49	PE-792004	Ball, Steel
22	PE-778088	Gear, Spur (16 Teeth)	50	PE-788049	Seal, Oil
23	PE-778096	Gear, Spur (23 Teeth)	51	PE-778093A	Pinion, Bevel
24	PE-778097	Gear, Cluster (20 and 27 Teeth)	53	PE-782061	Housing, Axle (9-1/4" Long)
			53A	PE-782060	Housing, Axle (7-5/16" Long)

Model 998

M11 HYDROSTATIC TRANSMISSION

NOTE
 If hydrostatic pump is replaced, be sure to remove pinion gear on transaxle (Ref. 51 on page 30) from old pump shaft and reposition on new pump shaft.

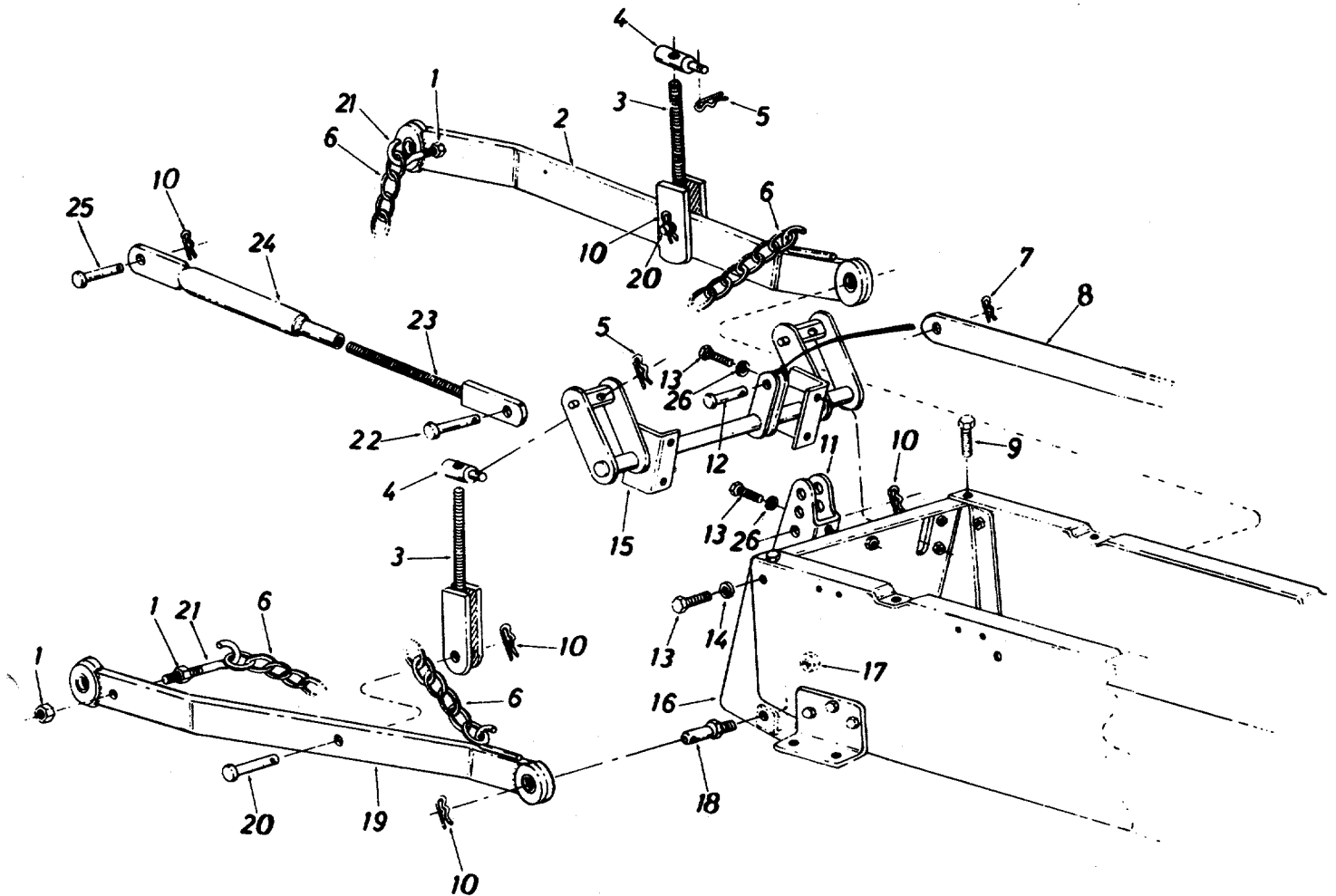


PARTS LIST FOR M11 HYDROSTATIC TRANSMISSION ET001100-006 (717-0344)

REF. NO.	PART NO.	DESCRIPTION	REF. NO.	PART NO.	DESCRIPTION
1	ET-990045-000	Charge Pump Kit	12	ET-101904-000	Cam Ring Subassembly
2	ET-092999-000	Oil Seal	13	ET-101571-000	Pintle Subassembly
3	ET-008771-036	Square Cut Seal Ring .036	14	ET-097841-000	Cam Ring Insert
4	ET-008771-038	Square Cut Seal Ring .038	15	ET-990136-000	Control Shaft Kit
5	ET-095912-125	Socket Head Cap Screw 5/16-18 x 1.25" Long	16	ET-101853-000	Motor Rotor—Ball Subassembly
6	ET-990114-000	Cover Subassembly	17	ET-024608-000	Output Shaft Subassembly
7	ET-101597-000	Button	18	ET-040525-000	Motor Race
8	ET-090880-000	Drive Pin	19	ET-025090-006	"O"-Ring Plug Subassembly
9	ET-024129-000	Input Shaft Subassembly	20	ET-097879-000	Ball Bearing (Output)
10	ET-008771-166	Square Cut Seal Ring .166	21	ET-091231-000	Retaining Ring
11	ET-101470-000	Pump Rotor—Ball Subassembly	22	ET-102583-000	Body Subassembly

NOTE: A complete disassembly procedure and repair manual for the hydrostatic pump is available from the factory. Write for manual covering Model 717-0344, Form No. 5390.

Model 998

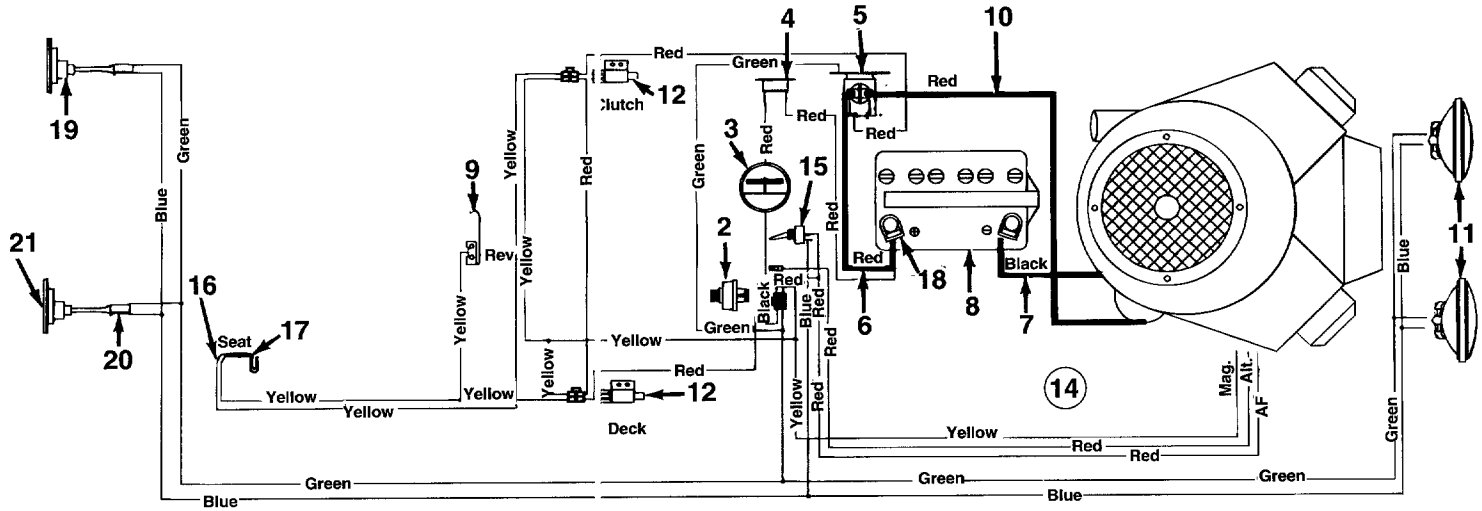


THREE POINT HITCH

PARTS LIST FOR MODEL 998 THREE POINT HITCH

REF. NO.	PART NO.	CODE	DESCRIPTION	REF. NO.	PART NO.	CODE	DESCRIPTION
1	712-0290	N	Hex Cent. L-Nut 7/16-14 Thd.	14	736-0217	N	L-Wash. 3/8" Scr.—H.D.*
2	13130A		Draft Bar Ass'y.—L.H.	15	13135		Rear Lift Shaft Ass'y.
3	13138		Clevis Screw Ass'y.	16	13196		Hitch Plate Ass'y.
4	711-0649		Clevis Pin	17	712-0923		Hex Cent. L-Nut 5/8-18 Thd.
5	714-0147		Hitch Pin Clip	18	711-0497		Link Clevis Pin
6	713-0148		Chain—20 Links	19	13129A		Draft Bar Ass'y.—R.H.
7	714-0470		Cotter Pin 1/8" Dia. x 1.25" Lg.*	20	711-0225		Clevis Pin .63" Dia. x 1.66" Lg.
8	13709		Push Bar Ass'y.	21	711-0639		Hitch Chain Hook
9	710-0216		Hex Scr. 3/8-16 x .75" Lg.*	22	711-0299		Clevis Pin .63" Dia. x 2.4" Lg.
10	714-0117		Hairpin Cotter	23	711-0636		Clevis Screw
11	13026		Hitch Brkt.	24	749-0238		Clevis Tubing
12	711-0654		Clevis Pin	25	711-0299		Clevis Pin .63" Dia. x 2.4" Lg.
13	710-0216		Hex Scr. 3/8-16 x .75" Lg.*	26	736-0217		L-Wash. 3/8" Scr.—H.D.

Model 998



PARTS LIST FOR ELECTRICAL SYSTEM

REF. NO.	PART NO.	CODE	DESCRIPTION
1	725-0201		Ignition Key (Not Shown)
2	725-0267		Ignition Switch
	725-1396		Ignition Switch†
3	725-3141		Ammeter
4	725-1382		Circuit Breaker 20 Amp
5	725-1426		Solenoid
6	725-0558		Electric Wire
7	725-0994		Electric Wire
8	725-0453B	N	Battery
9	725-1644		Spring Switch (Reverse Safety)
10	725-0562		Electric Wire
11	725-0222		Headlights
12	725-1657		Safety Switch (PTO & Clutch)
14	629-0119	N	Wire Harness
15	725-0646		Light Switch
16	725-1303		Safety Switch (Seat)
17	725-1439		Safety Switch (Seat)
18	725-0662		Battery Boot
19	725-0612		Taillight†
20	725-1380		Taillight Harness†
21	725-3020		Taillight Bulb†

†Optional

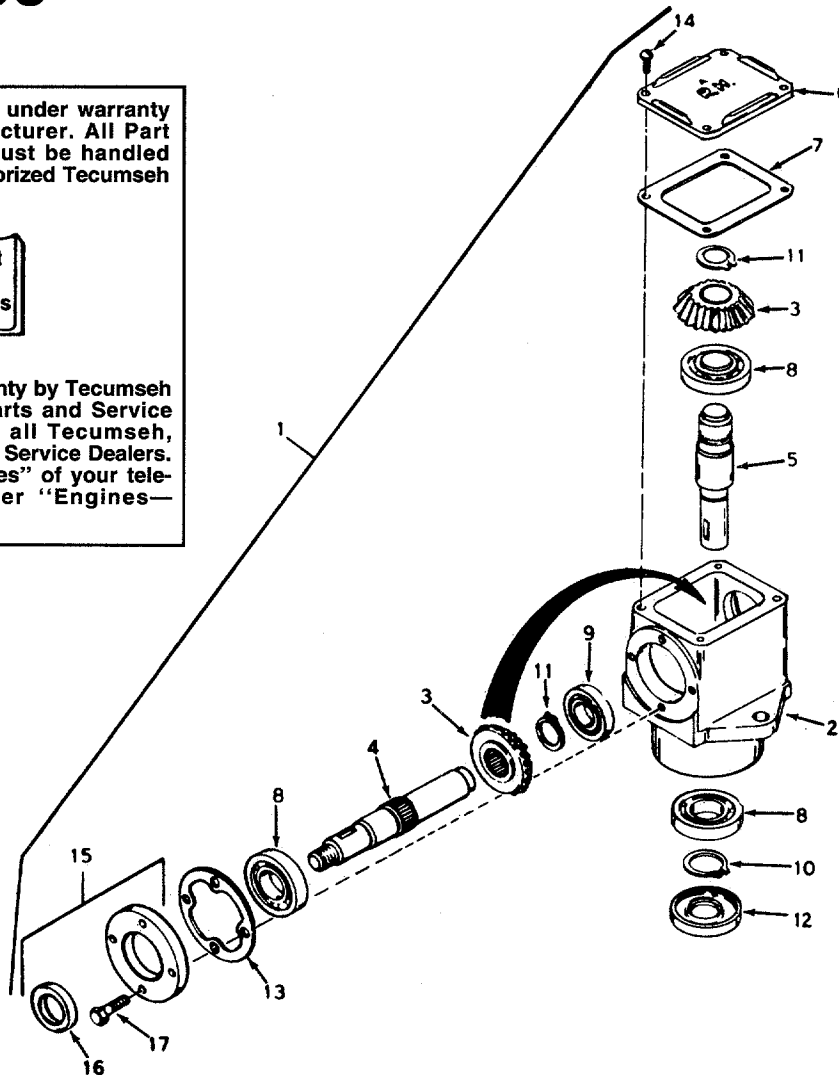
Model 993

RIGHT ANGLE DRIVE BOX (PEERLESS 2604-P91)

NOTE: This unit is not under warranty by the mower manufacturer. All Part Orders and Service must be handled through the Local Authorized Tecumseh Service Dealer.



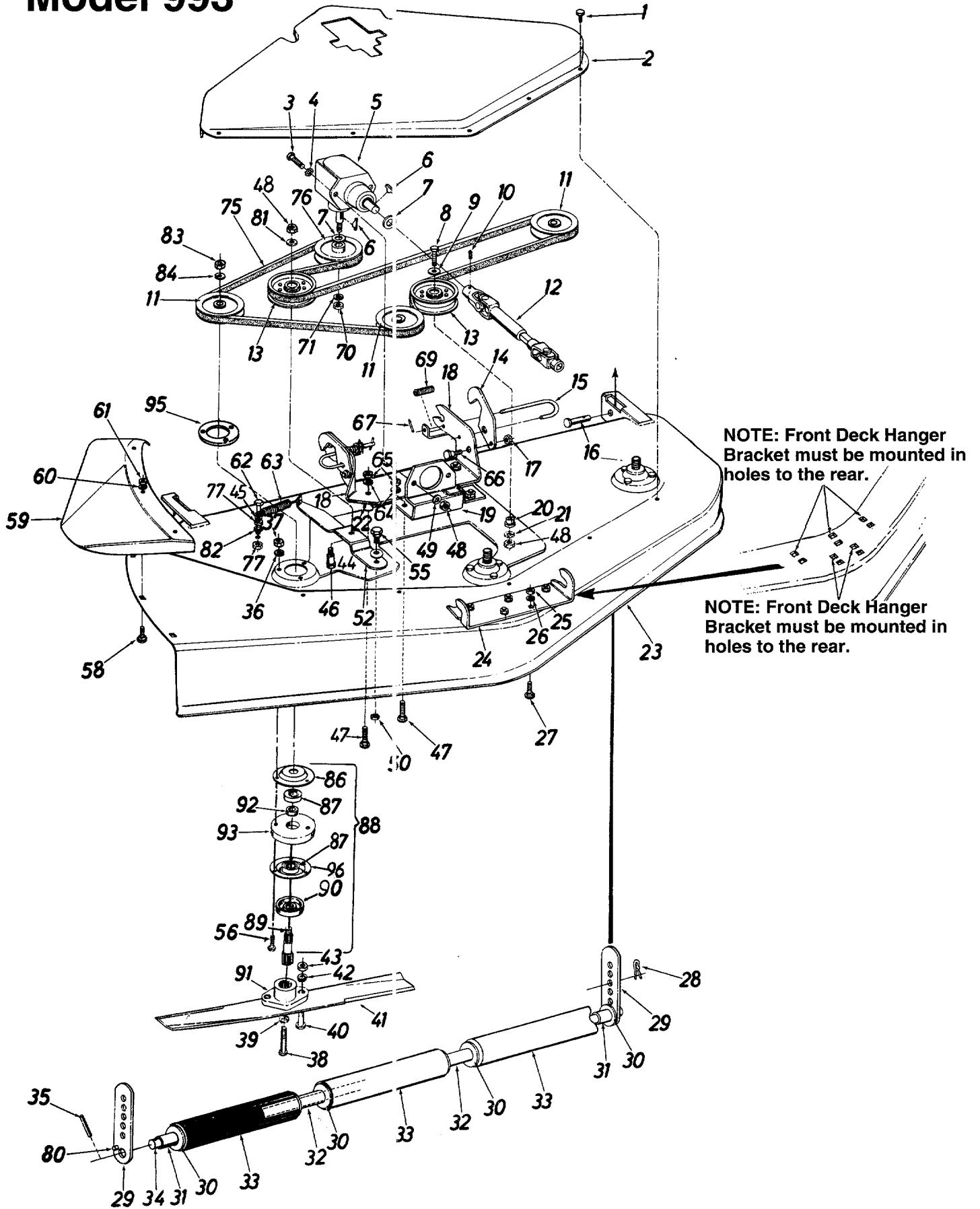
This unit is under warranty by Tecumseh Products Company. Parts and Service are available through all Tecumseh, Lauson Power Products Service Dealers. Check the "Yellow Pages" of your telephone directory under "Engines—Gasoline."



PARTS LIST FOR RIGHT ANGLE DRIVE BOX (PEERLESS 2604-P91)

REF. NO.	PART NO.	DESCRIPTION
1	PE-794111	Head Ass'y. R.H. (Incl. Nos. 2 thru 15)
2	PE-770026	Housing, Right Angle Drive
3	PE-778046	Gear, Miter
4	PE-776149	Shaft, Input
5	PE-776129	Shaft, Output
6	PE-772034	Cover, Right Hand
7	PE-788028	Gasket, Cover
8	PE-780034	Bearing, Ball
9	PE-780024	Bearing, Ball
10	PE-788019	Ring, Snap
11	PE-788018	Ring, Snap
12	PE-788029	Seal, Oil
13	PE-788030	Gasket, Cap
14	PE-792025	Screw, Rd. Hd. Self-Tap. 10-24 x 1/2
15	PE-786029	Cap & Seal Ass'y., Retainer (Incl. Nos. 16 & 17)
16	PE-788031	Seal, Oil
17	PE-792026	Screw, Hex Hd. 1/4-20 x 7/8

Model 993



Model 993

PARTS LIST FOR MODEL 993 50" MOWING DECK

REF. NO.	PART NO.	CODE	DESCRIPTION	REF. NO.	PART NO.	CODE	DESCRIPTION
1	710-0352		Hex B-Tap Scr. 1/4-20 x .38" Lg. (10 Req'd.)	42	736-0119		L-Wash. 5/16" I.D.*
2	12651		Belt Cover	43	712-0237		Hex L-Nut 5/16-24 Thd.
3	710-0342		Hex Bolt 3/8-16 x 1.25" Lg.	44	736-0141		Spr. Wash. .445" I.D.
4	736-0148		Ext. L-Wash. 3/8" I.D.	45	736-0176		Fl-Wash. 1/4" I.D.
5	—		Right Angle Drive	46	738-0150		Shld. Scr. .625" Dia. x .96"
6	714-0126		#9 Hi-Pro Key 3/16 x 3/4" Dia.	47	710-0262		Carriage Bolt 5/16-18 x 1.5" Lg.
7	736-0181		Fl-Wash. 29/32" I.D.	48	712-0798		Hex Nut 3/8-16 Thd.*
8	710-0756		Hex Bolt 3/8-16 x 2.25" Lg.*	49	736-0169		L-Wash. 3/8" I.D.*
9	736-0300		Fl-Wash. 3/8" I.D.	50	712-0290		Hex L-Nut 7/16-14 Thd.
10	710-0357		Sq. Hd. Set Scr. 3/8-16 x .50"	52	09489		Deck Spring Idler Brkt.
11	756-0519		Deck Pulley	55	738-0163		Shld. Bolt .625" Dia. x .26"
12	717-0401		Universal Drive Shaft Ass'y.	56	710-0672		Hex Bolt 5/16-24 x 1.5" Lg. (Grade 5)
	717-0439		Universal Drive Male Half	58	710-0451		Carriage Bolt 5/16-18 x .75" Lg.*
	717-0440		Universal Drive Female Half	59	12649		Chute Guard
13	711-0306		Deck Idler Pulley	60	736-0119		L-Wash. 5/16" I.D.*
14	12564		Hanger Lock	61	712-0267		Hex Nut 5/16-18 Thd.*
15	747-0160		Release Pin	62	710-0559		Hex Bolt 1/4-28 x 1-3/4" Lg.
16	711-0310		Clevis Pin .50" Dia.	63	732-0180		Extension Spring
17	712-0158		Hex L-Nut 5/16-18 Thd.	64	736-0119		L-Wash. 5/16" I.D.*
18	12648		Rear Deck Hanger Brkt.	65	712-0267		Hex Nut 5/16-18 Thd.*
19	13705		Gear Box Mounting Brkt. Ass'y.	66	738-0296		Shld. Bolt
20	711-0598		Idler Adapter	67	715-0129		Roll Pin 1/8" Dia.
21	736-0169		L-Wash. 3/8" I.D.*	69	732-0306		Compression Spring
22	750-0776		Spacer .33" I.D. x .88" O.D.	70	712-0923		Hex L-Nut 5/8-18 Thd.
23	12640		Deck Ass'y.	71	736-0158		L-Wash. 5/8" I.D.*
24	12646		Front Deck Hanger Brkt.	75	754-0197		"V"-Belt
25	712-0267		Hex Nut 5/16-18 Thd.*	76	756-0632		Drive Pulley
26	736-0119		L-Wash. 5/16" I.D.*	77	712-0318		Hex L-Nut 1/4-28 Thd.
27	710-0451		Carriage Bolt 5/16-18 x .75" Lg.*	80	715-0108		Spring Pin Spiral 1/4" Dia. 1.00" Lg.
28	714-0101		Internal Cotter Pin				Bell-Wash. 3/8" I.D. x .87" O.D.
29	12650		Height Adjuster	81	736-0105		L-Wash. 1/4" I.D.*
30	736-0188		Fl-Wash. .75" I.D. x 1.5" O.D.	82	736-0329		Hex Jam Nut 5/8-18 Thd.
31	750-0212		Spacer .758" I.D. x 1.25" O.D. x .530	83	712-0318		L-Wash. 5/8" I.D.*
32	750-0288		Spacer Tube	84	736-0158		Bearing Housing
33	731-0335		Roller	86	08253B		Ball Bearing
34	738-0295		Roller Shaft	87	741-0919		Deck Spindle Ass'y.
35	715-0246		Roll Pin 3/16 x 1.25"	88	14199A		Spindle
36	736-0119		L-Wash. 5/16" I.D.*	89	738-0469B		Bearing Shield
37	712-0237		Hex Cent. L-Nut 5/16-24 Thd.	90	13703		Blade Adapter
38	710-0180		Hex Self-Tap Scr. 3/8-24 x .75" Lg.	91	748-0283		Spacer
39	736-0217		L-Wash. 3/8" I.D. H.D.	92	750-0456		Spindle Spacer Plate
40	710-0888		Hex Bolt 5/16-24 x 1" Lg.	93	14088B		Spindle Reinforcement Plate
41	742-0171		Blade 17"	95	14249A		Open Bearing Housing
				96	15296A		

*For faster service obtain standard nuts, bolts and washers locally. If these items cannot be obtained locally, order by part number and size as shown on parts list.

IMPORTANT: Use only Original Equipment Manufacturer (O.E.M.) V-belts when replacing belts. They are of special construction (type of cord, cord location, length, etc.). Use of V-belts other than O.E.M. belts generally will provide only temporary service. For best results, use only factory approved parts.