

DVI-D Adaptor for MyHD MDP-130

MyHD DVI Card

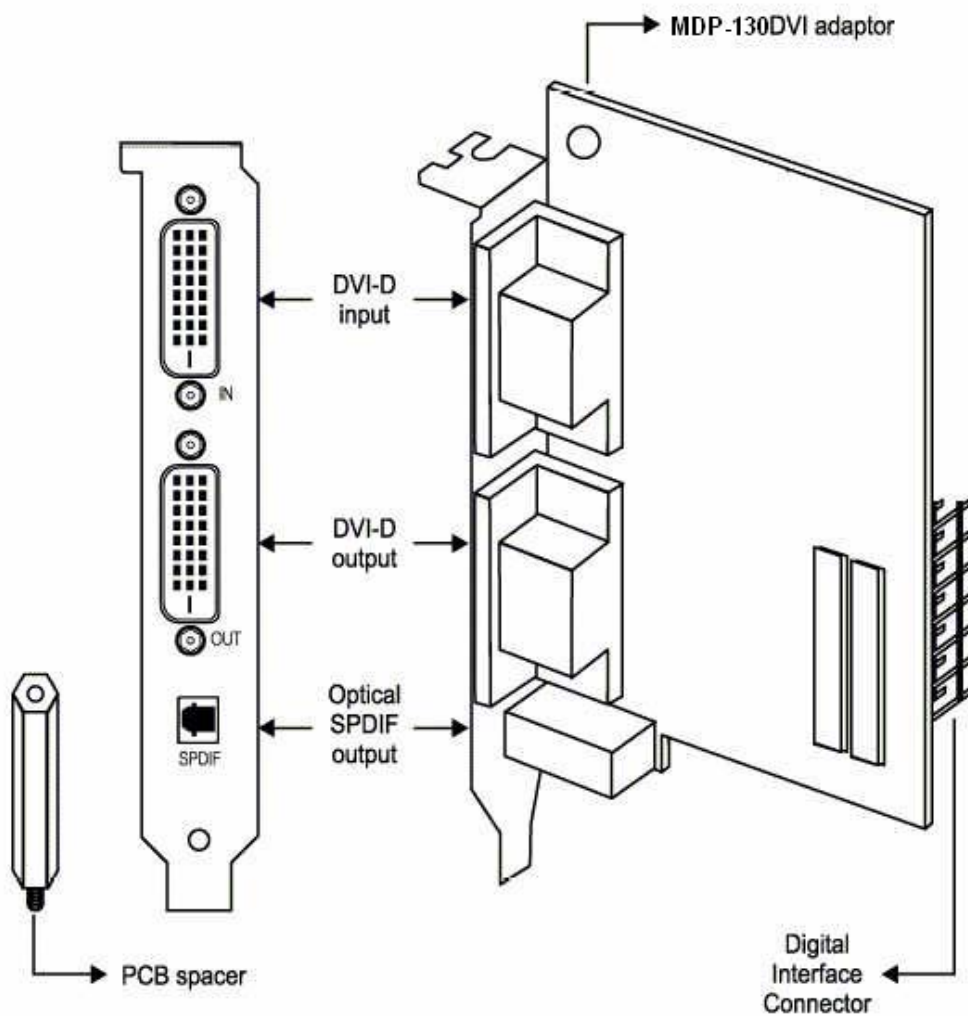
'Enjoy MyHD on Digital Monitors'

MDP-130DVI

■ Package List

This package is including :

- MyHDMDP-130DVI adaptor
- PCB spacer
- Installation guide
- DVI-D loop-through cable



■ Installation of MDP-130 DVI adaptor

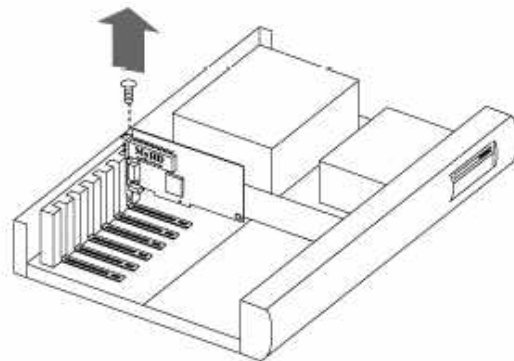
WARNING - Static Sensitive Components

To avoid possible damage to MDP-130 DVI adaptor and/or other system components from static discharge, always discharge your body's static electricity prior to handling MDP-130 DVI adaptor or other system components.

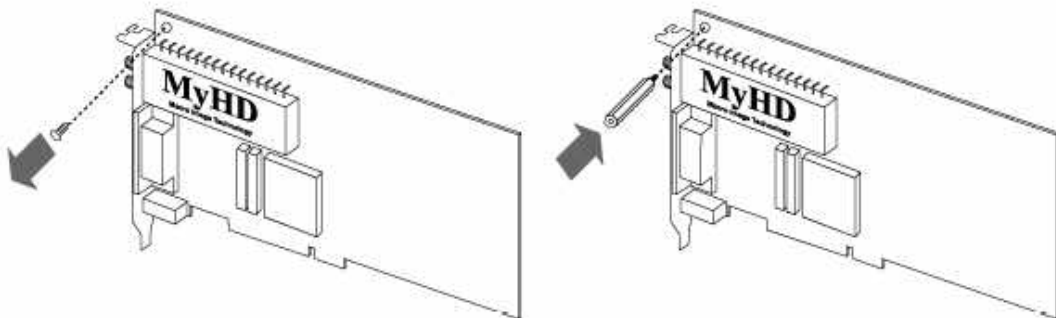
Discharging can be done either by using a properly grounded anti-static wrist strap or by simply touching the chassis of a grounded (plugged-in) computer. In addition, always handle the adaptor with care by holding its edges and not touching its metal connectors whenever possible, to avoid mechanical and electrical damage to delicate components on the adaptor.

To install the MDP-130 DVI adaptor, follow the steps listed below:

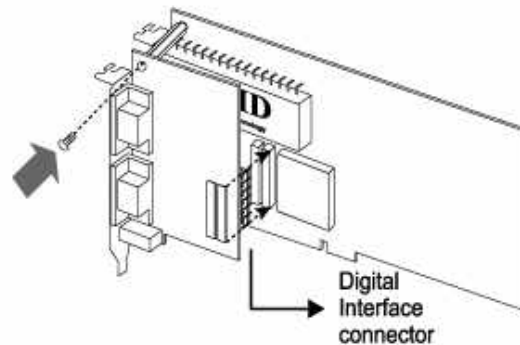
1. With the power off, remove your computer cover and detach the installed MDP-130 card or take the brand new MDP-130 card out of the retail box. (Before handling the card or adaptor, ground yourself by touching the power supply box inside your computer.)



2. Remove the screw attached to the corner of the MDP-130 card and screw the spacer on the screw hole where the removed screw was installed.

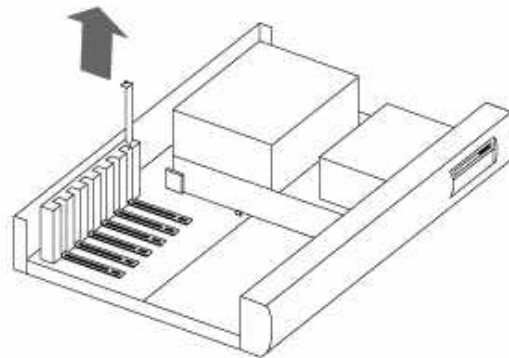


3. Position the digital interface connector (male headers) of the MDP-130DVI adaptor to the digital interface connector (female connectors) of the MDP-130 card. (**WARNING** : Be sure to match the connector pins on the correct position. Mis-matching of pin positions will give the permanent damage to the adaptor and/or to other system components when you turn on the computer.)

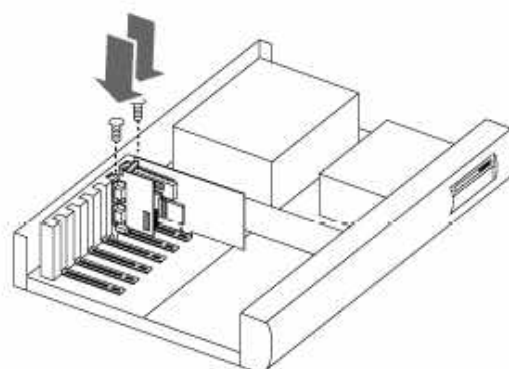


4. Make sure that the pins of the digital interface connectors are connected correctly and make sure that the screw hole of the spacer on the MDP-130 card and the hole of the MDP-130DVI adaptor are matched correctly. And then install the screw which has been removed from the MDP-130 card on the screw hole of the spacer.

5. The MDP-130 card with the MDP-130DVI adaptor needs two PCI slots, so remove the slot cover of the PCI slot next to the slot at which the MDP-130 card was placed.



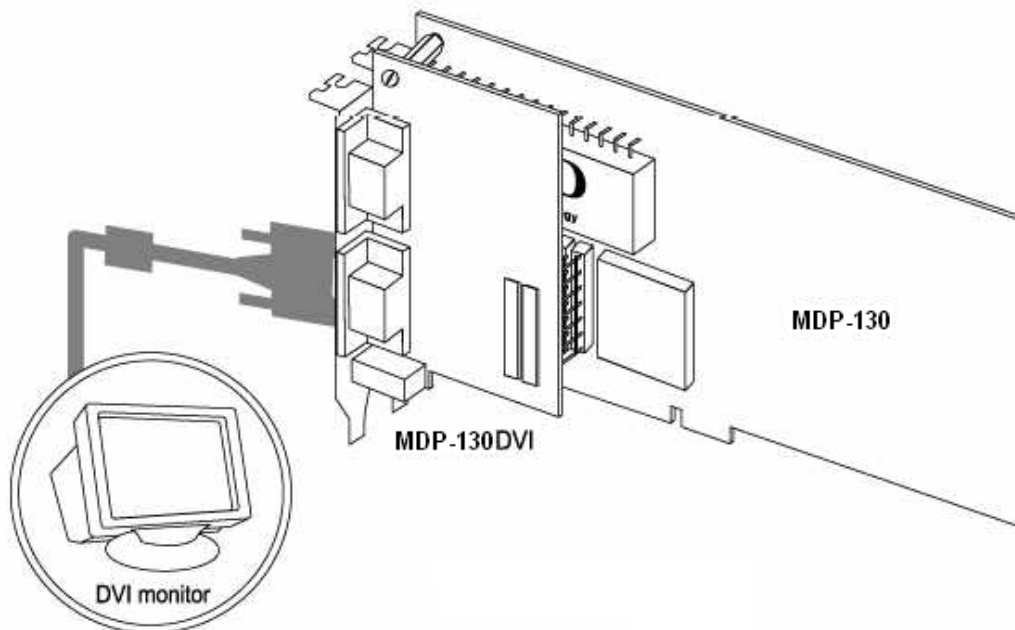
6. Position the MDP-130 card directly above the PCI slot and insert the card firmly into the slot. Special care should be taken to press it evenly and snugly into its slot.



7. Installed the screws on the slot covers of the MDP-130 card and MDP-130DVI adaptor.

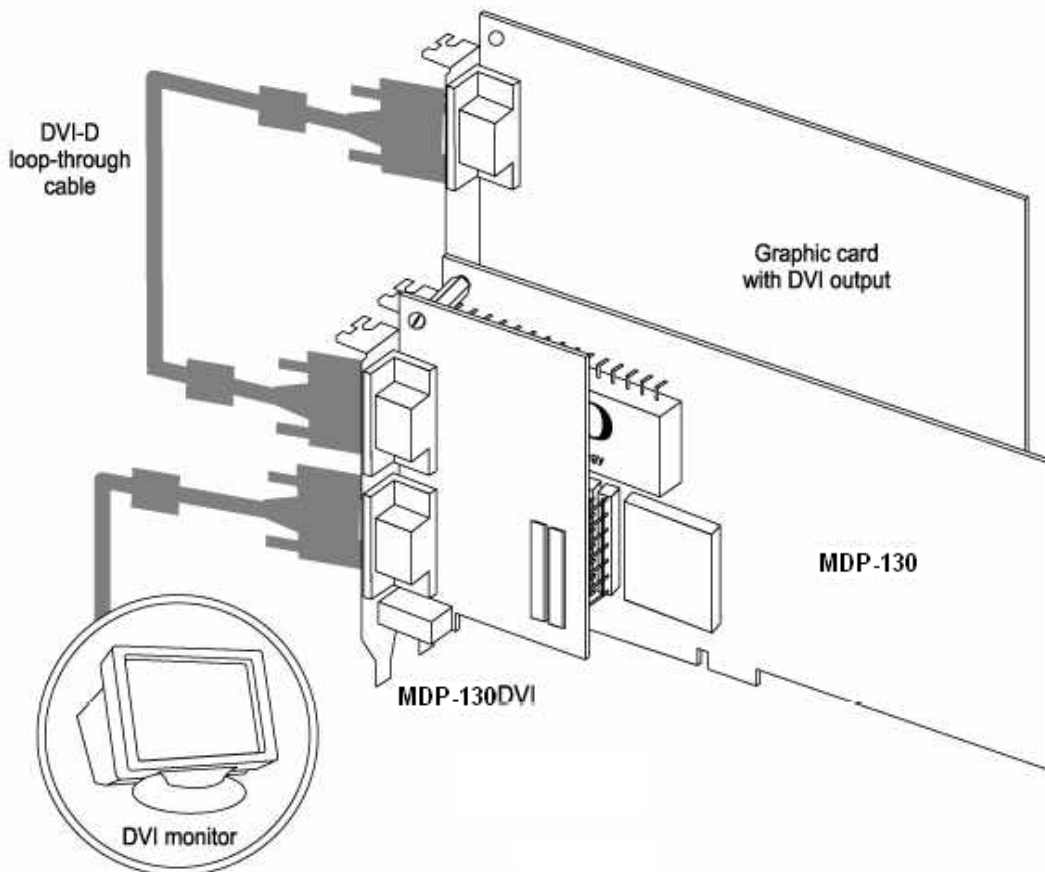
■ Connecting the DVI monitor to MyHD

1. Connect the one connector of the DVI-D cable to the DVI input connector of the monitor.
2. Connect the other connector of the cable to the DVI output connector (next to the optical SPDIF connector) of the MyHD MDP-130DVI adaptor. (WARNING: Be sure to connect the cable to the DVI output connector of the adaptor, do not connect the monitor cable to the DVI input connector of the adaptor.)



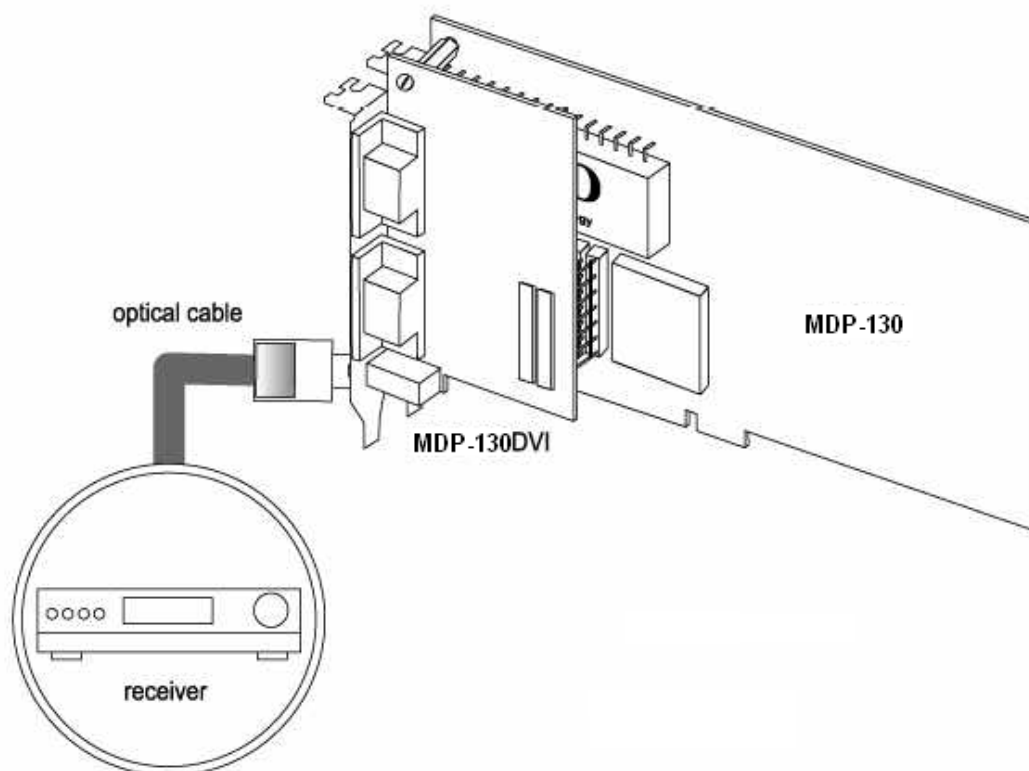
■ Loop through the DVI video of the graphic card

1. You can view the DVI video of VGA on the monitor which is connected to the MDP-130DVI adaptor if you have the graphic card which has DVI output.
2. Connect the one connector of the DVI-D loop-through cable to the DVI output connector of the graphic card.
3. Connect the other connector of the cable to the DVI input connector (opposite side to the optical SPDIF connector) of the MyHDMDP-130DVI adaptor. (**WARNING** : Be sure to connect the cable to the DVI input connector of the adaptor. Do not connect the loop-through cable to the DVI output connector of the adaptor or the permanent damage may be caused on the adaptor and/or the graphic card.)
4. You can switch the video between the graphic card and the MyHD using the MyHD software. (Refer to the user guide of MyHD)



■ Connecting SPDIF output to the external receiver

1. Connect one connector of the optical cable to the optical SPDIF input connector of the external receiver.
2. Connect the other connector of the cable to the SPDIF output connector of the MyHD MDP-130DVI adaptor.



FCC Information

This device complies with Part 15 of the FCC Rules. Operation is subject to the following two conditions:

- (1) This Device may not cause harmful interface, and
- (2) This device must accept any interference received, including interference that may cause undesired operation.

Note: This equipment has been tested and found to comply with the limits for CLASS B digital device, pursuant to Part 15 of FCC Rules. These limits are designed to provide reasonable protection against harmful interference when the equipment is operated in a commercial environment. This equipment generates, uses and can radiate radio frequency energy and, if not installed and used in accordance with the instructions, may cause harmful interference to radio communications. However, there is no guarantee that interference will not occur in a particular installation. If this equipment does cause harmful interference to radio or television reception, which can be determined by turning the equipment off and on, the user is encouraged to try correct the interference by one or more of the following measures:

- 1.1. Reorient or relocate the receiving antenna.
- 1.2. Increase the separation between the equipment and receiver.
- 1.3. Connect the equipment into an outlet on a circuit different from that to which receiver is connected.
- 1.4. Consult the dealer or experienced radio/TV technician for help.

WARNING

Changes or modifications not expressly approved by the manufacturer could void the user's authority to operate the equipment.



For product service, product information or assistance. Please refer to our website,
Send an e-mail, or call us

6th Floor, East Bldg., IT Venture Tower, 78 Garakbon-Dong, Songpa-Gu, Seoul, Korea, 138-803

TEL : +82-2-2142-4000 FAX : +82-2-2142-4099

Website : www.DTVsolution.com e-mail : sales@mitinc.co.kr