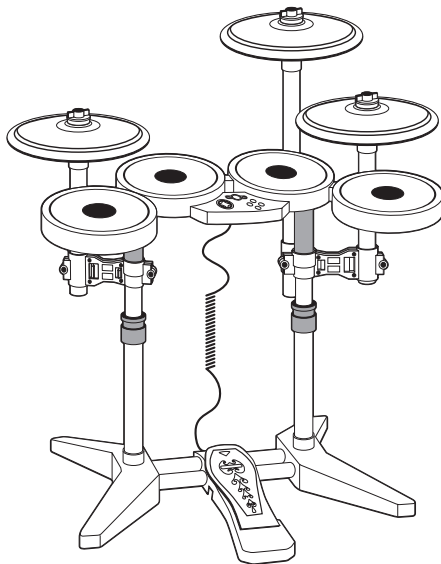


# ROCKBAND™ 3



**WIRELESS  
SANS FIL**

AND/EU/Y

**PRO-DRUM™  
PRO-CYMBALS™ KIT**

FOR/POUR/PARA **PlayStation®3**



**DE** Es gibt wichtige Hinweise zur Sicherheit und Handhabung dieses Produkts sowie, sofern zutreffend, Sicherheitsinformationen zum Stolperschutz und/oder zur Entsorgung von Batterien, die du vor dem Gebrauch dieses Produkts lesen solltest. Die gesamten Hinweise in deiner Sprache findest du unter [www.madcatz.com](http://www.madcatz.com)

**FR** Il existe d'importantes consignes de sécurité et des avertissements relatifs à ce produit ainsi que, selon le cas, des informations sur le système de déblocage et/ou sur le positionnement des piles à lire impérativement avant d'utiliser le produit. Vous trouverez le texte complet de ces avertissements dans votre langue sur le site : [www.madcatz.com](http://www.madcatz.com)

**IT** Ci sono importanti istruzioni sulla sicurezza e avvertimenti in merito a questo prodotto e, quando applicabili, allo smaltimento sicuro delle batterie che dovresti leggere prima di utilizzare il prodotto. Per i testi completi di questi avvertimenti nella tua lingua, visita il sito [www.madcatz.com](http://www.madcatz.com)

**ES** Se incluyen instrucciones y precauciones importantes referentes a la seguridad de este producto así como, si procede, al conector de la desconexión de seguridad o a la manera de desechar las pilas que deberías leer antes de usar este producto. Para ver el texto completo de estas precauciones en tu idioma, visita la página web [www.madcatz.com](http://www.madcatz.com)

**DK** Der er vigtige sikkerhedsinformationer og –advarsler knyttet til dette produkt og, hvis disse følger med, inline-sikkerhedsanordningen og/eller korrekt udsmidning af batterier, som du bør læse før brug af produktet. For at læse disse advarsler i fuld udstrækning på dit sprog skal du besøge websiden [www.madcatz.com](http://www.madcatz.com)

**SE** Det finns viktiga produktsäkerhetsinstruktioner och varningar för denna produkt och, där så är tillämpligt, den inbyggda utlösaren, och/eller avfallshantering för batterier som du bör läsa innan du använder denna produkt. Du kan läsa den fullständiga varningstexten på ditt språk genom att besöka webbplatsen [www.madcatz.com](http://www.madcatz.com)

**PT** Este produto inclui instruções e avisos importantes sobre segurança e, se for o caso, a patilha de segurança e/ou como deitar fora as pilhas gastas que deve ler antes de começar a usar este produto. Para obter o texto completo dos avisos no seu idioma, visite o website [www.madcatz.com](http://www.madcatz.com)

## ENGLISH Rock Band 3 Wireless PRO-Drum and PRO-Cymbals Kit for PlayStation 3

Thank you for purchasing the Mad Catz Rock Band 3 Wireless PRO-Drum and PRO-Cymbals Kit for use with the PlayStation 3 video game system. Be sure to register your product online at [www.madcatz.com](http://www.madcatz.com) and check out our full line of other quality video game accessories.

### BOX CONTENTS

Four-pad Drum Top (1X)	Drum Stick (2X)	Drum Foot (2X)
Drum Kick Pedal (1X)	Vertical Pole (2X)	Horizontal Foot Pole (2X)
AA Battery (3X)	USB Dongle (1X)	
Cymbal (3X)	Mounting Bracket (L-Shape) (1X)	280mm Cymbal Pole (2X)
Stabilizer Bar (1X)	Mounting Bracket (Standard) (1X)	483mm Cymbal Pole (1X)
Angled Plastic Ring (4X)	Colored Wing Nuts (4X) - Blue, Green, Red, Yellow	

### IMPORTANT

**Before using Rock Band 3 (the "software") or the drum, guitar, keyboard and/or microphone intended for use with the software (each, a "controller") with the PlayStation 3 Console, please read the PlayStation 3 Console instruction manual for safety, health, and all other information and instructions regarding the proper use of the PlayStation 3 Console. For ease of reference, the term "game" shall refer collectively to the software and any and all controllers.**

All questions regarding the PlayStation 3 Console should be directed to the manufacturer.

**CAUTION:** Please comply with ALL safety warnings and instructions. Any changes or modifications to the game or PlayStation 3 Console that are not expressly approved by Mad Catz, Harmonix Music Systems, Inc. or the applicable PlayStation 3 Console manufacturer could void the user's authority to use and operate the game and will void all game and hardware warranties. Neither Mad Catz nor Harmonix Music Systems, Inc. or their respective affiliates and licensors/licensees will be liable for any injuries or damage resulting from the improper or unauthorized use of this game.

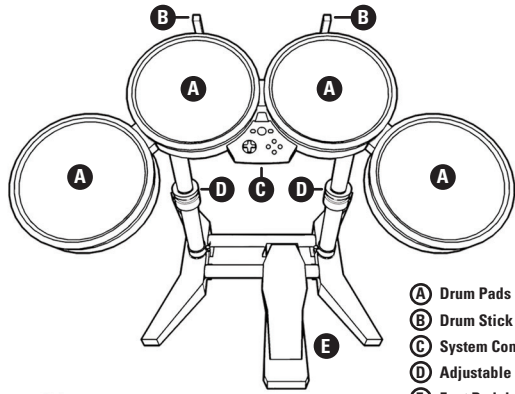
**WARNING:** NO CHILD UNDER 36 MONTHS OF AGE SHOULD USE OR PLAY WITH THE GAME. Controllers should be kept out of reach of young children at all times. Controllers are suitable and intended only for use by adults and, if they are under strict adult supervision, for children who are at least 12 years of age.

**CAUTION:** Please make sure players using this Rock Band Controller have enough space to avoid others being hit with the Controller or by other players. This Rock Band Controller must be used with care to avoid injury. Neither Mad Catz nor Harmonix Music Systems, Inc. or their respective affiliates and licensors/licensees will be held liable for injuries resulting from improper use of this Rock Band Controller.

### Important Information about Safety and the Proper Care and operations of controllers:

- Do not modify, disassemble or attempt to open any controller.
- Do not expose any controller to extreme conditions, including direct sunlight or excessive humidity.
- Do not expose any controller to liquids.
- If cleaning is necessary, use a dry cloth to clean the affected area. Never use chemicals.
- If a controller causes interference to radio or television reception, (you can determine this by turning the controller off and on), the user is encouraged to try to correct the interference by one or more of the following measures:
  - (1) reorient or relocate the controller's receiving antenna, if applicable; and/or
  - (2) increase the separation between the controller and the game console.

# ROCKBAND 3



- A Drum Pads
- B Drum Stick Holder
- C System Controller
- D Adjustable Clamp
- E Foot Pedal

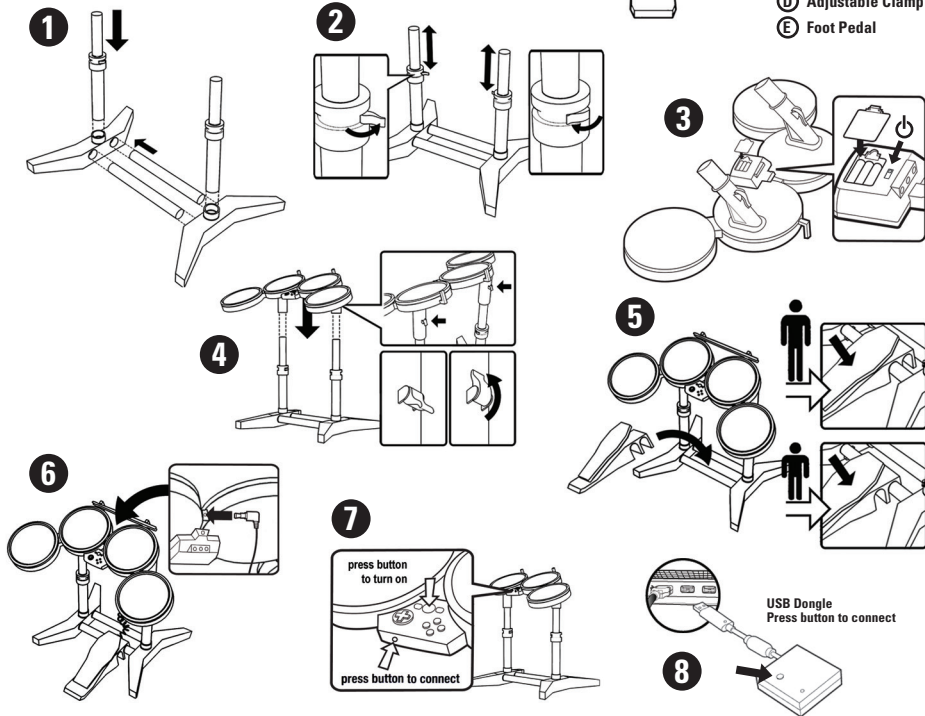
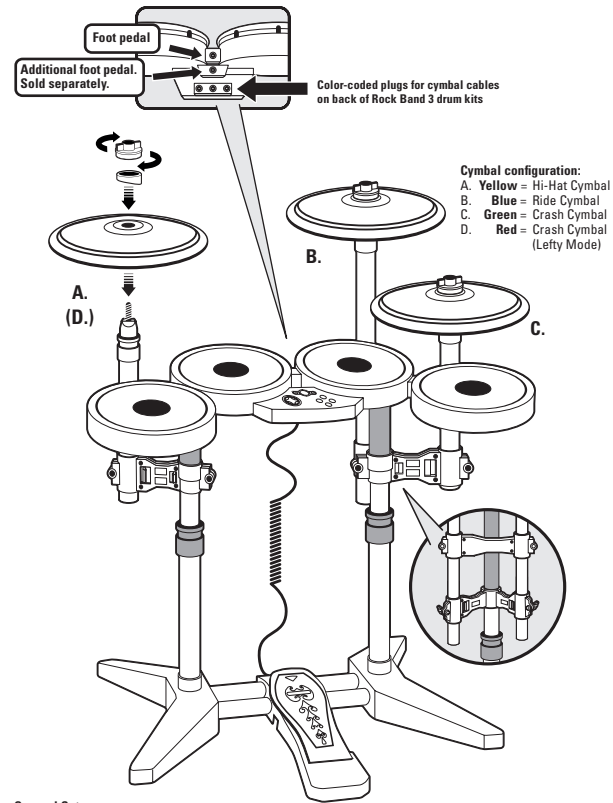


Fig. 1



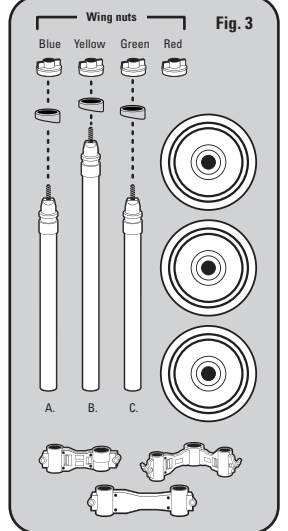
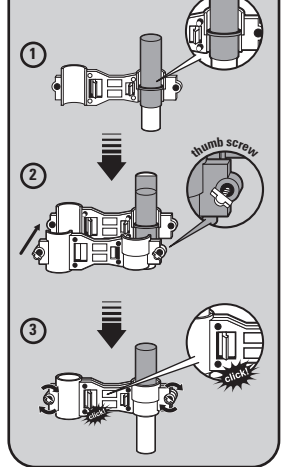
**General Setup**

1. Interlock interior clamp around ridge support on drum leg assembly (Fig. 2).
2. Tighten thumb screws to secure to leg clamp of drum kit.
3. Quick-release clips snap securely into place.
4. Insert metal poles and adjust height (Fig. 1).
5. Tighten thumb screws of metal poles (Fig. 2).
6. Add cymbal to pole based on cymbal configuration.
7. Screw on appropriate color wing nut (do not tighten completely if you want cymbal to tilt forward).
8. Loosen thumb screws that hold metal pole and rotate pole so that the cymbal is oriented to your style of play.
9. Retighten thumb screw that holds metal pole.
- 9A. (Optional) Loosen thumb screws around drum kit legs to rotate and adjust position of metal poles to drum heads and retighten screws.
10. Connect cymbal cables to drum kit. Match cymbal color to cable jack.

TIP: Wrap cymbal cables around metal poles for cable management.

Color-coded wing nuts let you designate cymbals to preferred style of gameplay.

Fig. 2



## FAQ

### QUESTION: What do I do if my drums aren't working properly?

**ANSWER:** There are multiple factors that attribute to the drum set having issues with your gaming experience. You may have issues with the drum pedal, the drum set, or the console itself. Please follow the troubleshooting steps below:

1. Insert the dangle into the console's USB port. Wait for dangle LED to flash red. Press and release the dangle Sync Button. Press and release the Drum Kit's Controller Connect (Sync) Button. Once connected, the dangle LED will remain steady and a player number will be assigned to the Controller. At the end of a play session, remove the dangle from the PS3 console.
2. Make sure that the plug for the kick pedal is seated into the socket on the back of the drum set.
3. Make sure the USB dangle is connected to the system.
4. Try the drum set again.

If this does not work, try the game with the drums plugged into each of the controller ports on the console.

### If the drums do not work:

There is an issue with the set or pedal itself. Please replace the non-functioning item through our Mad Catz warranty process.

### QUESTION: How should I care for my drums?

**ANSWER:** Extra care should be taken to avoid damage to your drum pads. As with a real drum, too much force applied to the pad over time can cause a tear or break and since there are electronic components involved, you also risk damage to the sensors and other equipment. You should also never lift the drum kit by the pads as they are not built to support the weight of the kit in that way. Finally, when you are playing remember that these are not real drums, they are a game controller and shouldn't be hit as though you need the whole arena to hear you. In fact, tapping more lightly and in the middle of the pad may help your hits register. That goes for your drum pedal, too! Be mindful of the spring and place your foot to take advantage of that support point to prevent wear.

### QUESTION: How do I keep my drum kit from sliding around?

**ANSWER:** Try getting a little closer to the pedal. It moves less if you press down like tapping your foot, rather than pressing forward like flooring a gas pedal. Stick something heavy behind the drum set.

### QUESTION: What do I do if I don't have space in front of the TV for the drum kit?

**ANSWER:** Coffee Table Mode. Put the drum pads directly into the drum feet (without the legs). Then put that on top of your coffee table. The kick pedal goes on the floor beneath the coffee table. You might want to brace the pedal against something heavy.

### QUESTION: The Cymbals for the Rock Band 3 Wireless PRO-Drum & PRO-Cymbal Kit are really loose, how can I fix this?

**ANSWER:** Above each cymbal is a wing nut that can be adjusted for varied tension. The tighter it is, the less movement there will be for each cymbal and vice versa.

### QUESTION: Will mixing the wrong colored wires for the Rock Band 3 Wireless PRO-Drum & PRO-Cymbal Kit damage my drums?

**ANSWER:** No. The colors are meant as a guide to show which colors correspond to each cymbal.

### QUESTION: Which area do I hit on the Cymbals for them to work?

**ANSWER:** The best location is directly in the center of the rubber area on the cymbal for ride, and the edge of the cymbal for crash, which produces a louder hit.

### QUESTION: Can I hit the hard plastic area on the Cymbals?

**ANSWER:** It is not recommended and may damage them.

For service under the warranty, **DO NOT** return the game or any portion of the game (including PRO-Drum or PRO-Cymbals) to any retail store, even if that is where you originally purchased it. Retailers are **NOT** part of our authorized warranty support program. In the unlikely event you encounter a problem with any part of the game, please visit [www.madcatz.com](http://www.madcatz.com). This website contains detailed instructions on how to take advantage of our warranty support program.

### 90-DAY LIMITED WARRANTY (NORTH AMERICA ONLY)

Mad Catz warrants this product to be free from defects in materials and workmanship for the warranty period. This non-transferable, ninety (90) day limited warranty is only to you, the first end-user purchaser. If a defect covered by this warranty occurs AND you have registered your product with Mad Catz AND you provide proof of purchase, Mad Catz, at its option, will repair or replace the product at no charge.

The Mad Catz ninety (90) day limited warranty is available to North American customers. Your sole and exclusive remedy is repair or replacement of your Mad Catz product. In no event shall Mad Catz liability exceed the original purchase price of the product. This warranty does not apply to: (a) normal wear and tear or abusive use; (b) industrial, professional or commercial use; (c) if the product has been tampered with or modified.

### 2-YEAR LIMITED WARRANTY (EUROPE ONLY)

Mad Catz warrants this product to be free from defects in materials and workmanship for the warranty period. This non-transferable, 2-year limited warranty is only to you, the first end-user purchaser. If a defect covered by this warranty occurs AND you have registered your product with Mad Catz AND you provide proof of purchase, Mad Catz, at its option, will repair or replace the product at no charge.

The Mad Catz 2-year limited warranty is available to European customers. Your sole and exclusive remedy is repair or replacement of your Mad Catz product. In no event shall Mad Catz liability exceed the original purchase price of the product. This warranty does not apply to: (a) normal wear and tear or abusive use; (b) industrial, professional or commercial use; (c) if the product has been tampered with or modified.

To receive warranty service you must:

- North America: call Mad Catz Technical Support at 1.800.659.2287 or 1.619.683.2815
- Europe: call Mad Catz Technical Support at +44 (0) 8450-508418
- Obtain a Return Authorization Number from Mad Catz Technical Support
- Ship the product to Mad Catz at your expense for service
- Enclose a copy of the original sales receipt showing a purchase date
- Enclose a full return address with daytime and evening phone numbers

### TECHNICAL SUPPORT

Online Support and User Guides: [www.madcatz.com](http://www.madcatz.com)

North American E-mail: [techsupport@madcatz.com](mailto:techsupport@madcatz.com)

North American telephone: Available 8 A.M. to 4 P.M. Pacific Standard Time, Monday through Friday (excluding holidays) at 1.800.659.2287 (US only) or 1.619.683.2815 (outside US).

European E-mail: [techsupporteurope@madcatz.com](mailto:techsupporteurope@madcatz.com)

European telephone: Available 9 A.M. to 5 P.M. Greenwich Mean Time, Monday through Friday (excluding bank holidays) at +44 (0) 8450-508418

You understand that your rights as a consumer may vary depending on where you reside and the local laws and regulations that apply, and that some or all of your rights may be different or some rights or portions of the warranty may not apply to you. If you are unsure or have any questions about your rights, you should consult your own advisors or local consumer groups to determine the laws and regulations that may apply to you.

If you are a resident of Australia or New Zealand, certain exclusions from this warranty apply, including exclusions of terms, conditions, warranties and terms set forth herein or implied by statute, general law or custom of trade or usage, except for any "Non-excludable Condition" as that term is defined below and construed under the Australian Trade Practices Act 1974 ("TPA") or, in the case of consumers in New Zealand, the New Zealand Consumer Guarantees Act 1993 ("CGA"). Except for liability required by law or regulation in connection with any Non-excludable Condition, our liability to you for any act or omission, whether arising in contract or tort, including negligence, or otherwise in connection with the controller or our agreement is hereby disclaimed and excluded. For these purposes, "Non-excludable Condition" means any implied warranty, condition or guarantee the exclusion of which would contravene, in the case of Australian consumers, the TPA or, in the case of consumers in New Zealand, the CGA or in either case, that would cause all or any part of any exclusion or limitation of liability or remedy to be void. For any breach of a Non-excludable Condition (other than one implied by Section 69 of the TPA in Australia), your remedies are limited and, at our option, our liability is limited to either resupplying, replacing or repairing the controller or, at our option, paying the cost of doing any of these.

You may have certain rights as a consumer with respect to the merchant or retail establishment where you purchased this controller. The exclusions, restrictions, terms and conditions set forth herein do not affect or change the rights you may have under the laws that apply to your transaction(s) with such merchants or retail establishments.

### DISCLAIMER OF OTHER WARRANTIES/REMEDIES:

If the game or any part thereof are damaged through modification, abuse, improper use, mistreatment, neglect or accident, any applicable warranty is rendered null and void and you will need to follow the instructions that apply for returns after the warranty period.

EXCEPT FOR THE EXPRESS LIMITED WARRANTIES SET FORTH ABOVE AND/OR TO THE EXTENT ANY PARTICULAR WARRANTIES OR RIGHTS MAY NOT BE DISCLAIMED OR LIMITED DUE TO THE LAWS AND REGULATIONS WHERE YOU RESIDE, MAD CATZ AND ITS LICENSORS HEREBY DISCLAIM ALL WARRANTIES, WHETHER ORAL OR WRITTEN, EXPRESS OR IMPLIED, INCLUDING ANY WARRANTY OF MERCHANTABILITY OR FITNESS FOR A PARTICULAR PURPOSE. NO OTHER REPRESENTATION OR WARRANTY OF ANY NATURE OR KIND SHALL APPLY OR SHALL BE BINDING UPON OR OBLIGATE MAD CATZ OR ITS LICENSORS.

WARRANTIES STATED HEREIN ARE OFFERED ONLY BY MAD CATZ, AND NOT HARMONIX MUSIC SYSTEMS, INC. OR ANY OF ITS AFFILIATES AND LICENSORS/LICENSEES.

If any warranties herein are incapable of being disclaimed because of the particular laws that apply to you, then such warranties applicable to this game are limited to the warranty period described above that applies to you. In no event will Mad Catz, Harmonix Music Systems, Inc. or their respective affiliates and licensors/licensees be liable for any special, incidental, indirect or consequential damages resulting from possession, use or malfunction of the game, including, without limitation, any controller, software or other part of the game, including damage to property, and to the extent permitted by law, damages for personal injury, even if foreseeable or if Mad Catz, Harmonix Music Systems, Inc. or their respective affiliates and licensors/licensees have been advised of the possibility of such damages.

SOME JURISDICTIONS DO NOT ALLOW CERTAIN LIMITATIONS OF EXCLUSIONS, SO THE ABOVE LIMITATIONS AND/OR EXCLUSIONS MAY NOT APPLY TO YOU. IN EACH AND EVERY JURISDICTION, MAD CATZ, HARMONIX MUSIC SYSTEMS, INC. OR THEIR RESPECTIVE AFFILIATES AND LICENSORS/LICENSEES' LIABILITY SHALL BE LIMITED AND THE EXCLUSIONS SHALL BE CONSTRUED TO APPLY TO THE FULLEST EXTENT PERMITTED BY LAW.

### IMPORTANT BATTERY INFORMATION FOR WIRELESS CONTROLLERS:

- Use only fresh AA standard alkaline batteries.
- Replace all used batteries at the same time and with the same type of batteries.
- Be sure to replace the batteries correctly by matching the + and - as shown in the instruction manual and the controller's battery compartment. Never insert batteries backwards.
- If you know that you will not be using the controller for an extended period of time, we recommend that you remove the batteries.
- Do not mix old and new or different types of batteries.
- Remove exhausted batteries from the controller.
- Supply terminals are not to be short circuited.

### STORE AND DISPOSE OF BATTERIES AND ELECTRICAL/ELECTRONIC MATERIALS PROPERLY:

- Batteries may explode or leak or cause burn injury if recharged, disposed of in fire, mixed with a different battery type, inserted backwards or disassembled.
- Never store, put or throw batteries into a flame or in a heated place.
- Do not carry batteries in your pocket or purse.
- Do not remove the battery label.
- Check your local laws, contact the proper government authorities or look under the Government listings of your local area directory to see if there are any special battery disposal instructions or requirements that apply where you live. For rechargeable or other types of batteries, the manufacturer should provide proper disposal instructions and you should always read and follow the manufacturer's directions to avoid injury and damage and to comply with the laws and regulations protecting health, safety and the environment.
- There have been some studies which are considered by some to raise questions about the potential health effects of electrical and electronic equipment and some of the hazardous substances they may contain. Always consult your own health care professionals who can advise you regarding your own health care needs in relation to use of the controller, batteries or other parts of the game.
- Consumers have a responsibility to recycle. The waste bin symbol with a strike mark through it indicates you should not dispose of waste electrical/electronic equipment, including batteries, as municipal or routine waste. Handle their disposal or recycling separately and properly.
- If you are not sure how to properly dispose of or recycle any of these items, you may contact your local government officials for information in your area.

### ⚠ CAUTIONS ⚠

- Use this unit only as intended.
- To prevent fire or shock hazard, do not expose this unit to rain or moisture. Do not use within 30' of any water such as swimming pools, bathtubs, or sinks.
- To avoid electrical shock, do not disassemble. Refer servicing to qualified personnel only.
- Never insert objects of any kind, other than authorized items, into the product as they may touch dangerous voltage points or short out parts that could result in fire or electrical shock.
- Stop using this unit immediately if you begin to feel tired or if you experience discomfort or pain in your hands and/or arms while operating the unit. If the condition persists, consult a doctor.
- Do not attempt to operate the unit in any way except with your hands. Do not bring the unit in contact with your head, face, or near the bones of any other part of your body.
- Avoid prolonged use of this unit. Take breaks every 30 minutes.
- Misuse of batteries within this unit may cause batteries to leak and/or explode and lead to personal injury.
- This product contains small parts that may cause choking if swallowed. Not intended for use by children under 3 years of age.



## SEIZURES

Some individuals may have seizures or black outs triggered by the flashing lights on television or in video games, even if they have never before had a seizure. Anyone who has had a seizure, loss of awareness, or other symptom linked to an epileptic condition should consult a doctor before playing a video game. Parents should be aware when their children play video games and observe them regularly. Stop playing and consult a doctor if you or your child have any of the following symptoms:

Convulsions  
Loss of Awareness  
Involuntary Movements  
Eye or Muscle Twitching  
Altered Vision  
Disorientation

### WHEN PLAYING VIDEO GAMES:

1. Sit or stand as far from the screen as possible.
2. Play video games on the smallest available screen.
3. Do not play if you are tired or need rest.
4. Play in a well-lighted room.
5. Take a 15-minute break every hour.

### REPETITIVE MOTION INJURIES

Playing video games (and the repetitive motion involved) can make your muscles, joints or skin hurt. Playing video games in moderation can help avoid such damage. Also:

- Take a 10- to 15-minute break every hour, even if you don't think you need it.
- If your hands, wrists or arms begin to hurt or feel sore or tired, stop playing and rest them for several hours before playing again.
- If pain and soreness continues, stop playing and consult a doctor.

### DECLARATION OF CONFORMITY

**Model Number: 97911**

**Trade Name: Rock Band 3 Wireless PRO-Drum and PRO-Cymbals Kit**

### EU DECLARATION OF CONFORMITY:

As required, certain of these controllers have been tested and conform to the requirements of the European Union Directives 1999/5/EC and 2004/108/EC. Authorized signatory of the manufacturer is Mad Catz, Inc., 7480 Mission Valley Road, Suite 101, San Diego, CA 92108

### United States and Canada:

As required, certain of these class B digital devices (the controllers) have been tested by Mad Catz, Inc., 7480 Mission Valley Road, Suite 101, San Diego, CA 92108 and found to comply with part 15 of the FCC rules and the Canadian RSS-210 which sets forth limits designed to provide reasonable protection against harmful interference in a residential installation. These device(s) use, generate and can radiate radio frequency energy and, if not assembled, installed and used in accordance with the instructions, may cause harmful interference to radio communications. There is no guarantee that interference will not occur in any particular location or use. Operation is subject to the following two conditions: (1) this device may not cause harmful interference and (2) this device must accept any interference received, including interference that may cause undesired operation.

### Exposure to Radio Frequency Radiation:

The radiated output power of the controller is well within FCC radio frequency exposure limits for this type of device when unaltered and used as described in our instructions and the controller operates within guidelines found in radio frequency safety standards, which reflect the consensus of the scientific community and therefore, the manufacturer believes the device's internal wireless radio is safe for use by consumers. The level of energy emitted is far less than the electromagnetic energy emitted by wireless devices such as mobile phones. However, the use of wireless radios may be restricted in some situations (e.g., on airplanes). If you are unsure of restrictions that may apply in any situation, you must ask for authorization before turning on, connecting or using the controller.

© 2010 Harmonix Music Systems, Inc. All Rights Reserved. Rock Band 3 developed by Harmonix Music Systems, Inc. Harmonix, Rock Band and all related titles and logos are trademarks of Harmonix Music Systems, Inc., an MTV Networks company. MTV Music Television, MTV Games and all related titles and logos are trademarks of MTV Networks, a division of Viacom International, Inc. Mad Catz, PRO-Drum, PRO-Cymbals and the Mad Catz logo are trademarks or registered trademarks of Mad Catz, Inc., its subsidiaries and affiliates. Mad Catz, Inc., 7480 Mission Valley Road, Suite 101, San Diego, CA 92108 U.S.A. and MTV Networks, 1515 Broadway, New York, New York 10036 U.S.A. Manufactured & distributed under license by Sony Computer Entertainment America LLC. "PlayStation", and the "PS" Family logo are registered trademarks and "PS3" is a trademark of Sony Computer Entertainment Inc. All other product names and images are trademarks or registered trademarks of their respective owners. Made in China. All rights reserved. Product features, appearance and specifications may be subject to change without notice. Please retain this information for future reference.

www.rockband.com

Mad Catz is a publicly traded company on the TSX/AMEX, symbol MCZ.

Contollers designed by:

**Harmonix Music Systems Inc.**  
**625 Massachusetts Avenue**  
**Cambridge, MA 02139**  
**United States of America**

Contollers manufactured by:

**Mad Catz, Inc.**  
**7480 Mission Valley Road, Suite 101**  
**San Diego, CA 92108**  
**United States of America**

**Questions? Visit our web site at [www.madcatz.com](http://www.madcatz.com) or call 1.800.659.2287 (USA only) or 1.619.683.2815.**

Product No. 97911 06/10

## FRANÇAIS

## Rock Band 3 PRO-Drum & PRO-Cymbals Ensemble Sans Fil pour PlayStation 3

Nous vous remercions d’avoir acheté le Rock Band 3 PRO-Drum & PRO-Cymbals Ensemble Sans Fil de Mad Catz afin de l’utiliser avec les systèmes de jeu vidéo PlayStation 3. Veuillez enregistrer votre produit en ligne à l’adresse [www.madcatz.com](http://www.madcatz.com) et consultez notre gamme complète d’accessoires de qualité pour jeux vidéo.

### IMPORTANT

**Avant d'utiliser Rock Band 3 (le « software ») ou la batterie, la guitare, le clavier et/ou le microphone destiné à être utilisé avec le logiciel (dénommés chacun « contrôleur ») avec la console PlayStation 3, veuillez lire le mode d'emploi de la console PlayStation 3 sur la sécurité, la santé et toutes les autres informations instructions concernant l'utilisation correcte de la console PlayStation 3. Pour y faire référence plus facilement, le terme « jeu » s'appliquera collectivement au logiciel et aux contrôleurs.**

Toutes les questions concernant la console PlayStation 3 doivent être adressés au constructeur.

**ATTENTION** : Veuillez vous conformer à TOUS les avertissements et instructions de sécurité. Tous les changements ou modifications apportés au jeu ou à la console PlayStation 3 qui ne sont pas expressément approuvés par Mad Catz, Harmonix Music Systems, Inc. ou le fabricant applicable de la Console sont susceptibles d’annuler le droit de l'utilisateur d'utiliser et de faire fonctionner le jeu et annuleront toutes les garanties concernant le jeu et le matériel. Ni Mad Catz ni Harmonix Music Systems, Inc. ou ses sociétés associées et concédants de licence/licenciés respectifs seront en aucun cas responsables par rapport à des blessures ou des dommages résultant de l'utilisation incorrecte ou non autorisée de ce jeu.

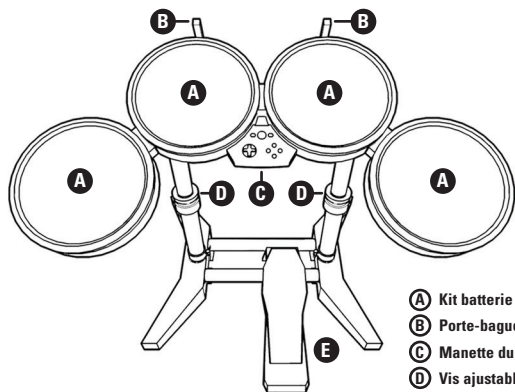
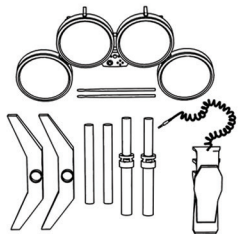
**AVERTISSEMENT** : CET APPAREIL NE CONVIENT PAS AUX ENFANTS DE MOINS DE 36 MOIS. Cet appareil convient aux adultes et aux enfants âgés de 12 ans et plus. Ne le laissez pas à la portée des jeunes enfants. L'utilisation de cette manette Rock Band par un enfant doit TOUJOURS être confiée à la surveillance d'un adulte.

**AVERTISSEMENT** : Veuillez vous assurer que les joueurs utilisant la manette Rock Band ont suffisamment d’espace pour éviter les chocs entre les manettes ou entre les joueurs. Cette manette Rock Band doit être utilisée avec précaution pour éviter de se blesser. Ni Mad Catz ni Harmonix Music Systems, Inc. ou ses sociétés associées et concédants de licence/licenciés respectifs peuvent être tenus pour responsables des blessures résultant d'une mauvaise utilisation de cette manette Rock Band.

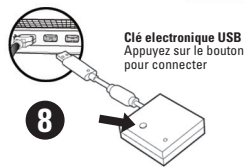
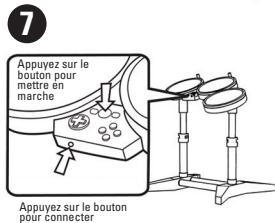
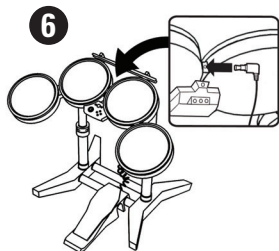
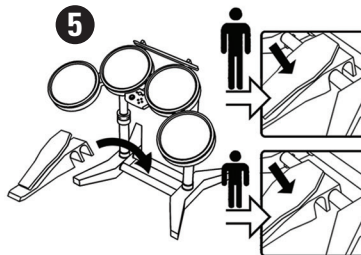
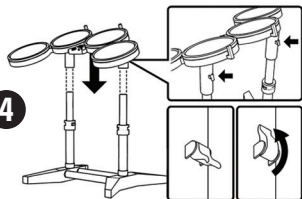
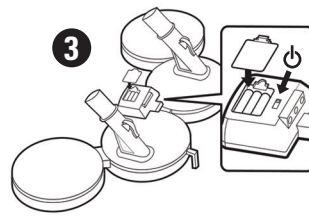
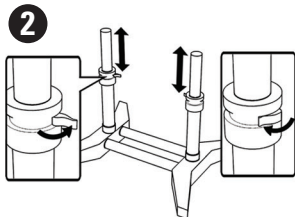
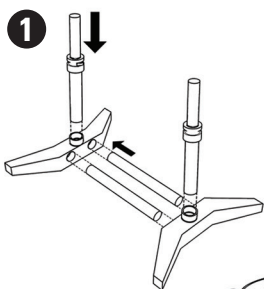
### Informations importantes concernant l'utilisation et la sécurité

- Ne pas modifier, désassembler ou tenter d’ouvrir la manette.
- Ne pas exposer la manette à des conditions extrêmes, y compris la lumière du soleil et une humidité excessive.
- Ne pas exposer la manette à l’eau ou à d’autres liquides.
- Si vous devez nettoyer la manette, utilisez un linge sec. N'utilisez jamais de produits chimiques.
- Si la manette provoque des interférences nuisibles avec la réception de votre téléviseur ou de votre radio (vous pouvez vous en assurer en éteignant et en rallumant votre manette), tentez de corriger ces interférences en suivant une ou plusieurs des indications suivantes :
  - (1) Reorienter our déplacer l’antenne de réception de la manette, le cas échéant.
  - (2) Eloigner la manette de la console de jeu.



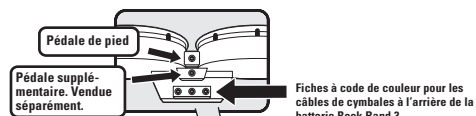


- A Kit batterie
- B Porte-baguettes
- C Manette du système
- D Vis ajustables
- E Pédale

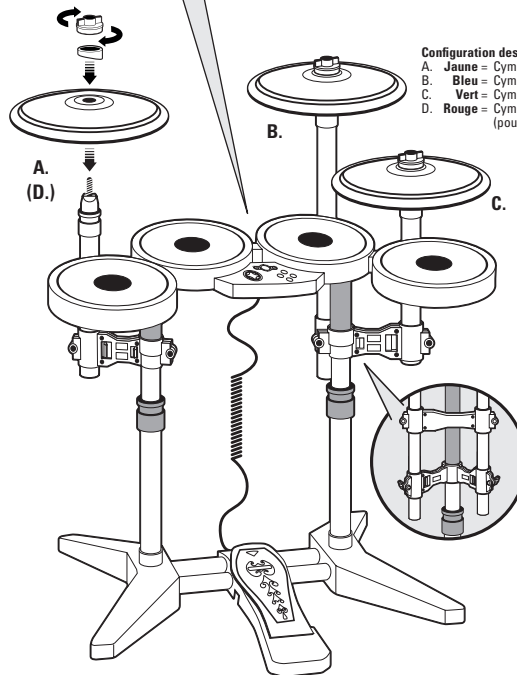


Clé électronique USB  
Appuyez sur le bouton pour connecter

Fig. 1



Fiches à code de couleur pour les câbles de cymbales à l'arrière de la batterie Rock Band 3



Configuration des cymbales:  
A. Jaune = Cymbale Hi-Hat  
B. Bleu = Cymbale Ride  
C. Vert = Cymbale Crash  
D. Rouge = Cymbale Crash (pour les gauchers)

**Installation générale**

1. Entrecroisez la pince intérieure autour du bord du support sur l'assemblage des pattes de la batterie. (Fig. 2)
2. Serrez les vis à tête de violon pour bien fixer sur les pattes de la batterie.
3. Les pinces à raccord rapide se fixent solidement en place.
4. Insérez les supports métalliques et réglez la hauteur. (Fig. 1)
5. Serrer les vis à tête de violon des supports métalliques. (Fig. 2)
6. Installez la cymbale sur le support selon la configuration des cymbales.
7. Vissez l'écrou papillon de couleur approprié (ne pas visser complètement si vous désirez que la cymbale s'incline vers l'avant).
8. Dévisser les écrous à tête de violon qui retiennent le support métallique et faire pivoter le support pour que la cymbale soit orientée selon votre style de jeu.
9. Resserrer l'écrou à tête de violon qui retient le support métallique.
- 9A. (Facultatif) Dévisser les écrous à tête de violon autour des pieds de la batterie pour faire pivoter et régler la position des supports métalliques des membranes et revisser les écrous.
10. Branchez les câbles de cymbales à la batterie. Faites correspondre la couleur de la cymbale à celle de la prise du câble.

CONSEILS : Enroulez les câbles de cymbales autour du support métallique pour faciliter la gestion des câbles.  
Les écrous papillon à code de couleur vous permettent d'assigner les cymbales selon votre style de jeu préféré.

Fig. 2

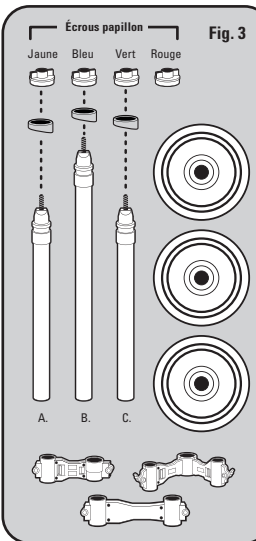
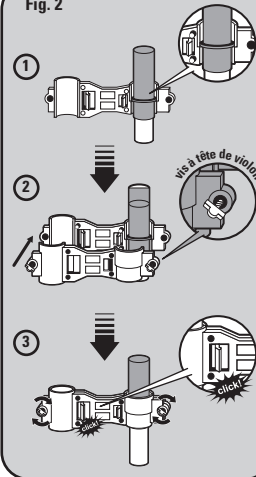


Fig. 3

## QUESTIONS FRÉQUÉMENT POSÉES

### QUESTION : Que dois-je faire si ma batterie ne fonctionne pas correctement ?

**RÉPONSE :** Il existe plusieurs facteurs qui contribuent à provoquer des problèmes avec l'ensemble de batterie selon votre expérience de jeu. Vous pouvez rencontrer des problèmes liés à la pédale de batterie, à l'ensemble de batterie ou à la console elle-même. Veuillez simplement suivre les étapes de dépannage ci-dessous :

1. Insérez la clé électronique (dongle) dans le port USB de la console. Attendez que le voyant de la clé électronique clignote en rouge. Appuyez sur le bouton sync de la clé électronique et relâchez-le. Appuyez sur le bouton branchement de la manette (Sync) de l'ensemble de batterie et relâchez-le. Une fois la clé électronique branchée, son voyant reste fixe et un numéro de joueur sera attribué. À la fin de la session de jeu, retirez la clé électronique de la console PS3.
2. Assurez-vous que la fiche de la pédale est logée dans la prise située à l'arrière de l'ensemble de batterie.
3. Assurez-vous que la clé électronique USB est connectée au système.
4. Essayez de nouveau l'ensemble de batterie.

Si cela ne fonctionne pas, essayez le jeu en branchant la batterie dans chacun des ports de contrôleur de la console.

### Si la batterie ne fonctionne pas :

Il y a un problème avec l'ensemble de batterie ou avec la pédale. Remplacez l'élément qui ne fonctionne pas le biais de notre processus de garantie Mad Catz.

### QUESTION : Quelles sont les précautions à prendre pour ma batterie ?

**RÉPONSE :** Il est nécessaire de faire extrêmement attention pour éviter d'endommager les caisses de batterie. Tout comme avec une batterie réelle, une force trop importante appliquée sur les caisses de batterie peut provoquer à la longue une déformation ou une rupture, et comme il y a des composants électroniques, vous risquez également d'endommager les capteurs et les autres équipements. Vous ne devez également jamais soulever la batterie par les caisses car elles ne sont pas conçues pour supporter le poids de batterie de cette manière. Pour terminer, lorsque vous jouez, n'oubliez jamais il ne s'agit pas d'une batterie réelle, mais d'un contrôleur de jeu et que vous ne devez pas la frapper comme si vous vouliez que tout le monde vous entende. En réalité, le fait de taper plus légèrement et au milieu de la caisse peut vous aider à améliorer votre registre de frappe. Cela s'applique également à votre pédale ! Pensez au ressort et placez votre pied de manière à tirer parti de ce point de support pour éviter l'usure.

### QUESTION : Comment puis-je empêcher mon ensemble de batterie de glisser ?

**RÉPONSE :** Essayez de vous mettre un peu plus près de la pédale. L'ensemble a moins tendance à se déplacer si vous appuyez comme si vous tapiez avec votre pied, plutôt que si vous appuyez vers l'avant comme si vous enfonciez une pédale d'accélérateur. Placez quelque chose de lourd derrière l'ensemble de batterie.

### QUESTION : Que dois-je faire si je n'ai pas assez d'espace devant le téléviseur pour l'ensemble de batterie ?

**RÉPONSE :** Utilisez le mode table de salon. Placez les caisses de batterie directement sur les pieds de la batterie (sans les montants). Placez ensuite cela sur votre table de salon. La pédale se place sur le sol, sous la table de salon. Vous pouvez caler la pédale contre quelque chose de lourd.

### QUESTION : Les cymbales de l'ensemble de batterie PRO-Drum et de cymbales PRO-Cymbals sans fil Rock Band 3 pour ne sont pas vraiment solides, comment puis-je régler ce problème?

**RÉPONSE :** Au-dessus de chaque cymbale se trouve un écrou papillon que vous pouvez régler pour ajuster la tension. Plus vous les vissez, moins la cymbale bougera et vice versa.

### QUESTION : Si je mélange les câbles de couleur de l'ensemble de cymbales Rock Band 3, est-ce que ça endommagera ma batterie?

**RÉPONSE :** Non. Les couleurs sont un guide pour vous montrer à quelle couleur correspond chaque cymbale.

### QUESTION : Sur quelle zone dois-je frapper pour que la cymbale fonctionne?

Réponse : Le meilleur endroit est directement au centre sur la zone caoutchoutée de la cymbale pour un effet de cymbale suspendue et le bord de la cymbale pour un effet de cymbale à main et un bruit plus fort.

### QUESTION : Puis-je frapper sur la zone en plastique dur de la cymbale?

**RÉPONSE :** Cela n'est pas recommandé, car vous pouvez les endommager.

Pour une réparation dans le cadre de la garantie, ne rappez **PAS** le jeu ou une partie du jeu (y compris le Rock Band 3 PRO-Drum & PRO-Cymbals Ensemble Sans Fil) dans un magasin de vente au détail, même si c'est là où vous l'avez acheté à l'origine. Les revendeurs ne font **PAS** partie de notre programme de support de garantie Périphérique. Au cas improbable où vous rencontreriez un problème avec une partie du jeu, consultez le site [www.madcatz.com](http://www.madcatz.com). Ce site web contient des instructions détaillées sur les avantages de notre programme de support de garantie.

### GARANTIE LIMITÉE DE 90 JOURS (CLIENTS NORD-AMÉRICAINS SEULEMENT)

Mad Catz garantit ce produit contre tout vice de matériau ou de fabrication pendant la période de garantie. Cette garantie limitée de quatre vingt dix (90) jours non transférable s'applique à vous uniquement en tant qu'acheteur et premier utilisateur final. Si un vice couvert par cette garantie est décelé ET que vous avez enregistré votre produit auprès de Mad Catz ET que vous fournissez une preuve d'achat, Mad Catz, à sa seule discrétion, réparera ou remplacera le produit gratuitement.

La garantie limitée par Mad Catz à 90 jours est à la disposition des clients Nord-américains uniquement, y compris le Canada, Mexique et les États-Unis. Votre recours exclusif est la réparation ou le remplacement de votre produit Mad Catz. En aucun cas la responsabilité de Mad Catz ne pourra dépasser le prix d'achat d'origine du produit. Cette garantie ne s'applique pas à : (a) une usure normale ou un mauvais usage ; (b) une utilisation industrielle, professionnelle ou commerciale ; (c) un produit ayant fait l'objet de modifications.

### GARANTIE LIMITÉE À 2 ANS (CLIENTS EUROPÉENS SEULEMENT)

Mad Catz garantit ce produit contre tout vice de matériau ou de fabrication pendant la période de garantie. Cette garantie est limitée à deux (2) ans non transférable s'applique à vous uniquement en tant qu'acheteur et premier utilisateur final. Si un vice couvert par cette garantie est décelé ET que vous avez enregistré votre produit auprès de Mad Catz ET que vous fournissez une preuve d'achat, Mad Catz, à sa seule discrétion, réparera ou remplacera le produit gratuitement.

La garantie limitée par Mad Catz à deux (2) ans est à la disposition des clients Européens uniquement. Votre recours exclusif est la réparation ou le remplacement de votre produit Mad Catz. En aucun cas la responsabilité de Mad Catz ne pourra dépasser le prix d'achat d'origine du produit. Cette garantie ne s'applique pas à : (a) une usure normale ou un mauvais usage ; (b) une utilisation industrielle, professionnelle ou commerciale ; (c) un produit ayant fait l'objet de modifications.

Pour bénéficier de la garantie, vous devez :

- Pour l'Amérique du Nord : Appeler le service d'assistance technique de Mad Catz au +1.800.659.2287 ou au +1.619.683.2815
- Pour l'Europe : Appeler le service d'assistance technique de Mad Catz au +44 (0) 8450 508418
- Obtenir un numéro d'autorisation de retour auprès du service d'assistance technique de Mad Catz
- Expédier le produit à Mad Catz à vos frais
- Joindre une copie du ticket de caisse original montrant la date d'achat
- Indiquer une adresse complète de retour avec numéros de téléphone où vous joindre dans la journée et en soirée

### ASSISTANCE TECHNIQUE

Aide et Guides de l'utilisateur en ligne : [www.madcatz.com](http://www.madcatz.com)

Courrier électronique pour l'Amérique du Nord : [techsupport@madcatz.com](mailto:techsupport@madcatz.com)

Téléphone pour l'Amérique du Nord: disponible de 8 h à 16 h, heure normale du Pacifique, du lundi au vendredi (sauf jours fériés) au +1.800.659.2287 (États-Unis uniquement) ou au +1.619.683.2815 (depuis l'étranger).

Courrier électronique pour l'Europe: [techsupporteurope@madcatz.com](mailto:techsupporteurope@madcatz.com)

Téléphone pour l'Europe : disponible de 9 h à 17 h, GMT, du lundi au vendredi (sauf jours fériés) au +44 (0) 8450-508418

Vous devez comprendre que vos droits en tant que consommateur peuvent varier en fonction de l'endroit où vous résidez et des lois et des réglementations locales, et que certains ou l'ensemble de vos droits peuvent être différents, de même que certains droits ou parties de la garantie peuvent ne pas s'appliquer à vous. Si vous ne connaissez pas exactement vos droits ou si vous avez des questions relatives à ceux-ci, consultez des conseillers ou des groupes de consommateurs locaux afin de déterminer les lois et les réglementations susceptibles de s'appliquer à vous.

Si vous résidez en Australie ou en Nouvelle-Zélande, sont exclues de la garantie toutes les autres conditions, garanties et termes implicites de caractère propre à la commercialisation, d'adéquation à un usage particulier ou de non infraction, à l'exception de toute condition non exclusive. Excepté la responsabilité requise par la loi ou la réglementation en respect de toute condition non exclusive, notre responsabilité envers le consommateur pour tout acte ou omission, que ce soit dans le cadre du contrat ou d'un délit, incluant la négligence ou autre, en connexion avec l'appareil ou avec notre accord est rejetée et exclue par la présente. À cet effet, la "condition non exclusive" comprend toute garantie implicite, condition ou garantie dont l'exclusion viendrait à l'encontre, dans le cas des consommateurs australiens, du Trade Practices Act australien de 1974 ("TPA"), ou, dans le cas des consommateurs néo-zélandais, du Consumer Guarantees Act néo-zélandais de 1993 ("CGA") ou dans les deux cas, qui causerait la nullité de tout ou partie de quelque exclusion ou limitation que ce soit des engagements ou recours. Pour toute rupture d'une condition non exclusive (autre que celle impliquée par la section 69 du TPA en Australie), vos recours sont limités et notre engagement se limite, à notre discrétion, à fournir, remplacer ou réparer l'appareil (ou à payer, à notre discrétion, le coût de ces actions).

Même si vous avez certains droits en tant que consommateur par rapport au marchand ou au magasin auquel vous avez acheté le Périphérique, ni ces exclusions et restrictions, ni ces conditions générales de ventes, n'affectent ou ne modifient vos droits selon les lois qui s'appliquent dans le cadre d'un achat ou d'une transaction avec ce marchand ou ce magasin.

### AVIS D'EXONÉRATION DE RESPONSABILITÉ PAR RAPPORT AUX AUTRES GARANTIES OU RECOURS :

Si le jeu ou une partie quelconque de celui-ci est endommagée suite à une modification, une utilisation abusive, une utilisation incorrecte, un mauvais traitement, une négligence ou un accident, toutes les garanties applicables sont rendues nulles et non avenue et vous devez suivre les instructions qui s'appliquent pour les retours en dehors de la période de garantie.

A L'EXCEPTION DES LIMITATIONS DE GARANTIES EXPRESSEMENT INDIQUÉES ET/OU DANS LE CADRE DE TOUT DROIT OU GARANTIE PARTICULIER NE POUVANT ÊTRE REJETÉ OU LIMITE SELON LES LOIS ET RÉGLEMENTATIONS DE VOTRE LIEU DE RESIDENCE, MAD CATZ ET SES CONCÉDANTS REJETENT PAR LA PRÉSENTE TOUTES GARANTIES, ORALES OU ÉCRITES, EXPLICITES OU TACITES, Y COMPRIS CELLES DE QUALITÉ MARCHANDE, D'ADAPTATION À UN USAGE PARTICULIER ET AUCUNE AUTRE REPRÉSENTATION OU GARANTIE DE QUELQUE NATURE QUE CE SOIT NE PEUT S'APPLIQUER À, CONTRAINDRE OU OBLIGER MAD CATZ ET SES CONCÉDANTS.

LES GARANTIES INDIQUÉES DANS CE DOCUMENT SONT OFFERTES UNIQUEMENT PAR MAD CATZ, ET EN AUCUN CAS PAR HARMONIX MUSIC SYSTEMS, INC. OU SES SOCIÉTÉS ASSOCIÉES ET CONCÉDANTS DE LICENCE/LICENCIÉS RESPECTIFS.

Si des garanties décrites dans ce document ne peuvent ne pas faire l'objet d'une exclusion de responsabilité en raison des lois particulières qui s'appliquent à vous, de telles garanties applicables à ce jeu sont alors limitées à la période de garanties décrites ci-dessus qui vous est applicable. En aucun cas Mad Catz, Harmonix Music Systems, Inc. ou ses sociétés associées et concédants de licence/licenciés respectifs ne peuvent être tenus pour responsables par rapport à tout dommage spécial, imprévu ou indirect résultant de la possession de l'utilisation ou du fonctionnement du jeu, y compris, mais sans s'y limiter, tout contrôleur, logiciel ou autre partie du jeu, notamment les dommages aux biens, et jusque dans la limite permise par la loi, les dommages corporels, même s'ils sont prévisibles, ou si Mad Catz, Harmonix Music Systems, Inc. ou ses sociétés associées et concédants de licence/licenciés respectifs ont été prévenu de la possibilité de tels dommages.

IL SE PEUT QUE LA LEGISLATION EN VIGUEUR INTERDISE L'EXCLUSION OU LA LIMITATION DES GARANTIES. DE CE FAIT, VOUS POUVEZ NE PAS TOMBER SOUS LE COUP DE CES EXCLUSIONS OU LIMITATIONS. DANS CHACUNE DE CES JURISDICTIONS, LA RESPONSABILITÉ MAD CATZ, HARMONIX MUSIC SYSTEMS, INC., ET/OU SES SOCIÉTÉS ASSOCIÉES ET CONCÉDANTS DE LICENCE/LICENCIÉS EST LIMITÉE ET LES EXCLUSIONS INTERPRÉTÉES POUR S'APPLIQUER DANS LA MESURE OU LA LOI LE PERMET.

### INFORMATIONS IMPORTANTES SUR LES PILES DES MANETTES SANS FIL

- Utilisez uniquement des piles alcalines AA classiques.
- Remplacez toutes les piles en même temps et ne mélangez pas les types de piles.
- Les bornes positives (+) et négatives (-) de vos piles doivent être orientées dans la bonne direction, comme indiqué dans le manuel d'utilisation et dans le compartiment à piles de la manette. Ne placez jamais les piles à l'envers.
- Ne laissez pas les piles dans la manette pendant une période d'inutilisation prolongée.
- La présence d'un adulte est recommandée lors du chargement de piles rechargeables.
- Ne mélangez pas les piles usagées avec les piles neuves ou avec d'autres types de piles.
- Ne court-circuitez pas les bornes d'alimentation.
- Retirez les batteries épuisées du contrôleur.

### CONSERVER ET JETER CORRECTEMENT SES PILES

- Les piles peuvent exploser ou fuir et causer des brûlures, si elles sont rechargées, jetées dans le feu, mélangées à un autre type de piles, insérées à l'envers et démontées.
- Ne conservez jamais vos piles près d'une flamme ou d'une source de chaleur. Ne jetez jamais vos piles dans le feu.
- Ne transportez pas vos piles dans une poche ou un porte-monnaie.
- N'enlevez pas l'étiquette de la pile.
- Les piles alcalines classiques ne sont généralement pas un risque pour la santé ou pour l'environnement lorsqu'elles sont utilisées, conservées et jetées correctement. Sauf réglementation contraire dans votre pays, les piles peuvent être jetées avec les déchets ménagers classiques.
- Vérifiez les réglementations locales ou contactez les autorités gouvernementales appropriées pour connaître les instructions spécifiques concernant le recyclage des piles dans votre lieu de résidence. Lisez et suivez les indications du fabricant pour éviter les blessures et dommages et pour être en conformité avec les lois et réglementations régissant la santé, la sécurité et l'environnement.
- Des études réalisées ont amené certaines personnes à penser qu'elles soulevaient des questions sur les effets potentiels sur la santé des équipements électriques et électroniques et de certaines substances dangereuses qu'ils peuvent contenir. Consultez toujours vos propres professionnels de santé qui peuvent vous conseiller sur vos propres besoins de santé par rapport à l'utilisation du contrôleur, des piles ou d'autres parties du jeu.

- Les consommateurs ont un rôle important dans le recyclage. Le symbole représentant une poubelle de déchets barrée indique que vous ne devez pas mettre au rebut les équipements électriques ou électroniques, notamment les batteries, avec les déchets ménagers ou ordinaires Traitez leur mise au rebut ou leur recyclage de manière séparée et correctement.

#### ⚠ ATTENTION ⚠

- N'utilisez cette unité que dans le but pour lequel elle a été conçue.
- Pour prévenir tout risque d'incendie ou de choc électrique, n'exposez pas cette unité à la pluie ou à l'humidité. Ne l'utilisez pas à moins de 9 mètres de l'eau (par exemple une piscine, une baignoire ou un évier).
- Pour éviter tout risque de choc électrique, ne démontez pas cette unité. Toute réparation doit être effectuée uniquement par un personnel qualifié.
- N'insérez aucun objet autre que ceux autorisés dans l'unité car ils pourraient toucher des points de tension dangereuse ou provoquer un court-circuit résultant en un incendie ou un choc électrique.
- Arrêtez immédiatement d'utiliser cette unité si vous vous sentez fatigué ou mal à l'aise, ou si vous ressentez des douleurs dans les mains et/ou les bras lors de son emploi. Si les symptômes persistent, consultez un médecin.
- Ne vous servez que de vos mains pour faire fonctionner l'unité. Ne mettez pas l'unité en contact avec votre tête ou visage, ou près des os d'une partie quelconque de votre corps.
- Évitez l'emploi prolongé de cette unité. Prenez un peu de repos toutes les 30 minutes.
- Le mauvais usage des batteries de cette unité peut provoquer des fuites et/ou une explosion, ce qui pourrait entraîner des blessures.
- Ce produit contient des petites pièces qui présentent un risque d'étouffement si elles sont avalées. Ce produit est déconseillé aux enfants de moins de trois ans.

#### CRISES D'ÉPILEPSIE

Certains personnent peuvent souffrir de crises d'épilepsie ou de voiles noirs déclenchés par le clignotement des lumières à la télévision ou dans les jeux vidéos, même s'ils n'ont jamais eu de crise d'épilepsie auparavant. Il est recommandé à toute personne ayant eu une crise d'épilepsie, une perte de conscience ou ayant souffert de tout autre symptôme lié à l'épilepsie de consulter un médecin avant de jouer à un jeu vidéo. Les parents doivent savoir quand leurs enfants jouent à un jeu vidéo et les observer régulièrement. Si vous ou votre enfant présente l'un des symptômes suivants, arrêtez le jeu et consultez un médecin :

Convulsions

Perte de Conscience

Ouvements Involontaires

Secousses Oculaires ou Musculaires

Vision Altérée

Désorientation

#### LORSQUE VOUS JOUEZ À UN JEU VIDÉO :

- Asseyez-vous ou tenez-vous aussi loin que possible de l'écran.
- Jouez sur le plus petit écran que vous pouvez trouver.
- Ne jouez pas si vous êtes fatigué ou avez besoin de r repos.
- Jouez dans une pièce bien éclairée.
- Faites une pause de 15-minutes toutes les heures.

#### BLESSURES DUES AUX MOUVEMENTS RÉPÉTÉS

Le fait de jouer à des jeux vidéos (et les mouvements répétés qui s'ensuivent) peut rendre votre peau, vos articulations ou vos muscles douloureux. Jouer aux jeux vidéos avec modération peut aider à éviter de tels problèmes. De plus :

- Faites une pause de 10 à 15 minutes toutes les heures, même si vous ne pensez pas en avoir besoin.
- Si vous commencer à ressentir de la douleur ou de la fatigue dans vos mains, vos poignets ou vos bras, arrêtez de jouer et reposez-vous pendant quelques heures avant de recommencer à jouer.
- Si la douleur persiste, arrêtez de jouer et consultez un médecin.

#### DÉCLARATION DE CONFORMITÉ UE

Numéro du Modèle: 97911

Nom Commercial: Rock Band 3 Pro-Drum & PRO-Cymbals Ensemble Sans FI

#### DÉCLARATION DE CONFORMITÉ UE

Comme requis, certains de ces contrôleurs ont été testés et sont conformes aux exigences des directives de l'Union européenne 1999/5/EC et 2004/108/EC. Le signataire autorisé du constructeur est Mad Catz, Inc., 7480 Mission Valley Road, Suite 101, San Diego, CA 92108.

#### États-Unis et Canada :

Comme requis, certains de ces périphériques numériques de classe B (les contrôleurs) ont été testés par Mad Catz, Inc., 7480 Mission Valley Road, Suite 101, San Diego, CA 92108, et ont été trouvés conformes à la partie 15 des règles FCC et à la directive canadienne RSS-210 qui définissent les limites de conception pour fournir une protection raisonnable contre les interférences nuisibles dans une installation résidentielle. Ces périphériques utilisent, génère et peuvent émettre de l'énergie sous forme de radiofréquences et s'ils ne sont pas montés, installés et utilisés conformément aux instructions, il peut produire des interférences nuisibles aux communications radio. Il n'y a aucune garantie que des interférences ne se produiront pas dans un emplacement donné ou pour une utilisation particulière. L'utilisation de l'unité est soumise aux deux conditions suivantes : 1) cet appareil ne doit pas produire d'interférences nuisibles, et (2) cet appareil doit accepter toutes les interférences reçues, y compris celles pouvant entraîner un fonctionnement indésirable.

#### Exposition aux émissions de fréquences radio :

La puissance des radiations émises par la manette se trouve dans les limites d'expositions aux fréquences radio imposées par la FCC, lorsque l'appareil n'est pas altéré et qu'il est utilisé conformément aux instructions. De plus, la manette fonctionne selon les directives concernant les normes de sécurité sur les fréquences radio selon la communauté scientifique. Le fabricant pense donc raisonnablement que les ondes sans fil de l'appareil sont sans danger pour les consommateurs. Le niveau d'énergie émis est bien moins important que l'énergie électromagnétique émise par des appareils sans fil comme les téléphones portables. Cependant, l'utilisation d'ondes sans fil peut être restreinte dans certaines situations (dans les avions, par exemple). Si vous ne connaissez pas les restrictions qui peuvent s'appliquer dans certaines situations, demandez l'autorisation avant d'allumer, connecter ou utiliser la manette.

© 2010 Harmonix Music Systems, Inc. Tous Droits Réservés. Rock Band 3 est développé par Harmonix Music Systems, Inc. Harmonix, Rock Band et tous les titres et les logos associés sont des marques de commerce de Harmonix Music Systems, Inc., une entreprise de MTV Networks. MTV: Music Television, MTV Games et tous les titres associés et les logos sont des marques de commerce de MTV Networks, une division de Viacom International, Inc. Mad Catz, PRO-Drum, PRO-Cymbals et le logo Mad Catz sont des marques de commerce ou des marques déposées de Mad Catz, Inc., de ses filiales ou de ses sociétés affiliées. Mad Catz Europe, Ltd. 1-2 Shenley Pavilions, Chalkdell Drive. Shenley Woods, Milton Keynes, Buckinghamshire MK5 6LB, United Kingdom et MTV Networks, 1515 Broadway, New York, New York 10036 U.S.A. Fabriqué et distribué sous licence par Sony Computer Entertainment America LLC. « PlayStation » et le logo de la famille « PS » sont des marques déposées et « PS3 » est une marque de commerce de Sony Computer Entertainment Inc. Tous les autres noms et images de produits sont des marques de commerce ou des marques déposées de leurs propriétaires respectifs. Fabriqué en Chine. Tous droits réservés. L'aspect, les fonctionnalités et les spécifications du produit peuvent changer sans préavis. Veuillez conserver cette notice pour référence ultérieure.

www.rockband.com

Les actions de Mad Catz sont cotées en bourse sur le TSX/AMEX sous le symbole MCZ.

Contrôleurs conçus par :

**Harmonix Music Systems Inc.**  
**625 Massachusetts Avenue**  
**Cambridge, MA 02139**  
**United States of America**

**Mad Catz, Inc.**  
**7480 Mission Valley Road, Suite 101**  
**San Diego, CA 92108**  
**United States of America**

Questions ? Visitez notre site Web **www.madcatz.com** ou appelez le +1.800.659.2287 (États-Unis uniquement) or +1.619.683.2815 ou +44 (0) 8450-508418 (Europe).

Produit No. 97911 06/10

## ESPAÑOL Kit Rock Band 3 Pro-Drum & Pro-Cymbals Sin Cable para PlayStation 3

Gracias por adquirir el Kit Rock Band 3 Pro-Drum & Pro-Cymbals Sin Cable de Mad Catz para su uso con el sistema de videojuego PlayStation 3. No se olvide de registrar en línea su producto en [www.madcatz.com](http://www.madcatz.com) y examine nuestra completa gama de accesorios de calidad para videojuegos.

#### IMPORTANTE

**Antes de utilizar Rock Band 3 (en adelante, el “software”) o la batería, la guitarra, el teclado y/o el micrófono diseñados para su uso con el software (cada uno de ellos, en adelante, un “controlador”) con la consola PlayStation 3, lea el manual de instrucciones relativo a seguridad y salud, y toda la demás información y las instrucciones sobre el uso correcto de la consola PlayStation 3. A modo de referencia, el término “juego” se dirigirá colectivamente al software y a todos y cada uno de los controladores.**

Todas las preguntas relativas a la consola PlayStation 3 deberán dirigirse al fabricante.

**PRECAUCIÓN:** Por favor, sigue TODAS las advertencias e instrucciones de seguridad. Cualquier cambio o modificación realizados en el juego o la consola PlayStation 3 que no estén expresamente aprobados por Mad Catz, Harmonix, Music Systems, Inc. o el fabricante correspondiente de la consola PlayStation 3 podría invalidar la autorización del usuario para utilizar y manejar el juego e invalidará todas las garantías sobre el juego y el hardware. Ni Mad Catz ni Harmonix Music Systems, Inc. o sus respectivas filiales y concesores de licencias/licenciatarios se responsabilizarán de ningún daño o perjuicio derivado del uso inadecuado o no autorizado de este juego.

**ADVERTENCIA:** NINGÚN NIÑO DE MENOS DE TRES AÑOS DEBERÍA UTILIZAR NI JUGAR CON ESTE DISPOSITIVO. Este dispositivo es apto y está dirigido a adultos y niños de al menos 12 años de edad. Los niños que tengan permiso para utilizar el mando de Rock Band deberían hacerlo SIEMPRE bajo supervisión de un adulto.

**PRECAUCIÓN:** Por favor, asegúrese de que los jugadores que utilicen el mando de Rock Band tienen espacio suficiente para no recibir golpes con el mando o de otros jugadores. El mando de Rock Band debe utilizarse con cuidado para evitar accidentes. Ni Mad Catz ni Harmonix Music Systems, Inc. o sus respectivas filiales y concesores de licencias/licenciatarios Games serán responsables de ninguna herida o lesión que resulte de un uso inadecuado del mando de Rock Band.

#### Información importante sobre seguridad y utilización adecuada:

- No modifi que, desmonte o intente abrir el mando.
- No exponga el mando a condiciones extremas, como luz solar directa o humedad excesiva.
- No exponga el mando a líquidos.
- Si es necesario limpiarlo, utilice un paño seco para limpiar la zona afectada. No utilice nunca productos químicos.
- Si el mando causa alguna interferencia en la recepción de la señal de radio o de televisión (se puede averiguar apagando y encendiendo el mando), el usuario puede solucionar la interferencia tomando alguna de las siguientes medidas:
  - Redirija o recoloe la antena receptora del mando, si procede.
  - Aumente la separación entre el mando y la consola.



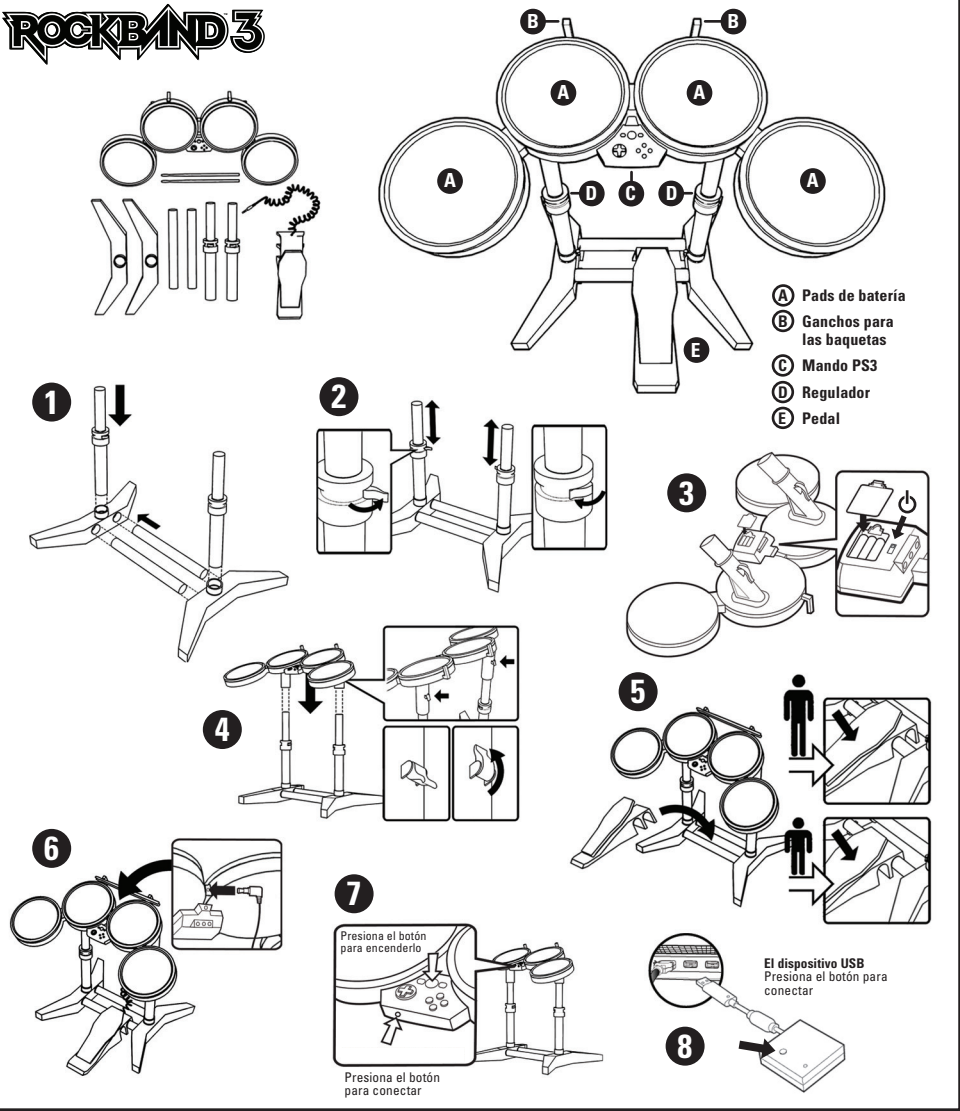
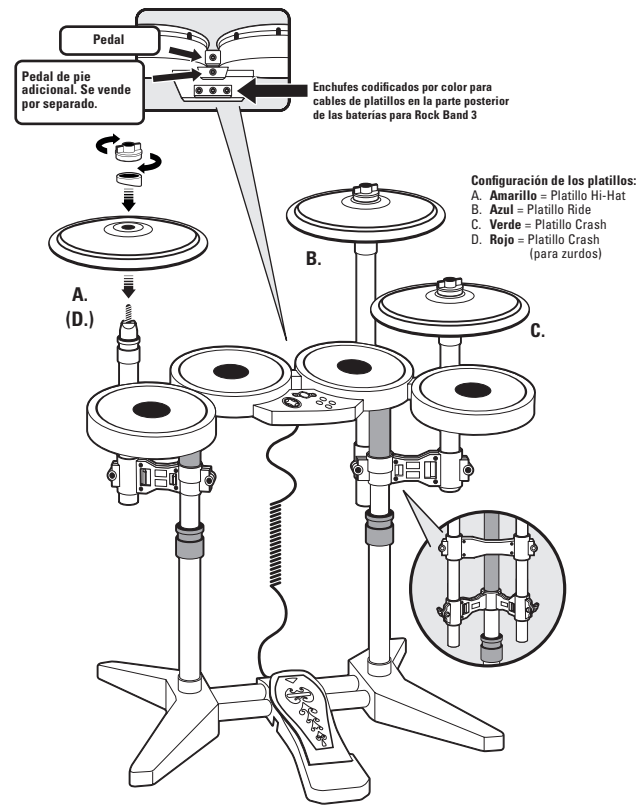


Fig. 1



**Configuración general**

1. Entrelaza la abrazadera interna alrededor del soporte del borde en el ensamblado de la base de la batería. (Fig. 2)
2. Ajusta los tornillos de mariposa para ajustarlo a la abrazadera de la base de la batería.
3. Los clips de soltado rápido se traban con seguridad en su lugar.
4. Inserta las varillas de metal y ajusta la altura. (Fig. 1)
5. Ajusta los tornillos de mariposa de las varillas de metal. (Fig. 2)
6. Añade el platillo a la varilla basándote en la configuración del platillo.
7. Atornilla la tuerca mariposa del color apropiado (no la ajustes de todo si quieres que el platillo se incline hacia delante).
8. Afloja los tornillos de mariposa que sostienen la varilla de metal y gira la varilla de tal modo que el platillo quede orientado del modo requerido para tu estilo de toque.
9. Reajusta el tornillo de mariposa que sostiene la varilla de metal.
- 9A. (Opcional) Afloja los tornillos de mariposa alrededor de las bases de la batería para rotar y ajustar la posición de las varillas de metal hacia los parches y reajusta los tornillos.
10. Conecta los cables de los platillos a la batería. Verifica que el color del platillo coincida con el del conector de cable.

Consejo: Envuelve las varillas de metal con los cables del platillo para mejor manejo de cables.

Las tuercas mariposa codificadas por color te permiten designar platillos según tu estilo preferido de toque.

Fig. 2

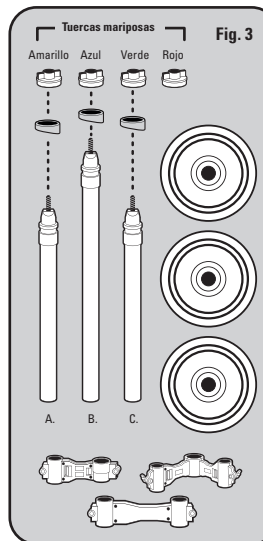
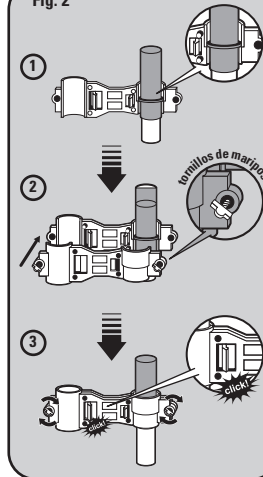


Fig. 3

## PREGUNTAS FRECUENTES

### PREGUNTA: ¿Qué debo hacer si los tambores no funcionan correctamente?

**RESPUESTA:** Hay múltiples factores relacionados con los tambores que pueden causar problemas con la experiencia de juego. Puedes tener problemas con el pedal, los tambores o la propia consola. Sigue los pasos de resolución de problemas que se indican a continuación.

1. Inserta el dispositivo USB en el puerto USB de la consola. Espera hasta que el LED del dispositivo USB emita destellos rojos. Pulsa y suelta el botón SYNC del dispositivo USB. Pulsa y suelta el botón para conectar el controlador (Sync) de la batería. Una vez conectado, el LED del dispositivo USB se quedará fijo y se asignará un número de jugador al controlador. Cuando termines de jugar, retira el dispositivo USB de la consola PS3.
2. Comprueba que el enchufe del pedal de la batería esté conectado en la toma situada en la parte trasera de la batería.
3. Comprueba que el dispositivo USB esté conectado al sistema.
4. Vuelve a probar la batería.

Si esto no funciona prueba el juego con los tambores conectados a cada uno de los puertos de controlador de la consola.

### Si los tambores no funcionan:

Hay un problema en los tambores o en el pedal. Cambia el elemento que no funciona mediante nuestro proceso de garantía de Mad Catz.

### PREGUNTA: ¿Cómo debo cuidar mis tambores?

**RESPUESTA:** Debe tenerse el máximo cuidado para evitar que los parches sufran daños. Igual que en una batería real, si se aplica demasiada fuerza al parche, con el tiempo se puede desgarrar o romper y como contiene componentes electrónicos existe el riesgo de dañar los sensores y otros equipos. Tampoco se debe levantar la batería por los parches, ya que no se han fabricado para soportar el peso de la batería de ese modo. Finalmente, cuando estés jugando recuerda que esto no es una batería real sino un controlador de juego, por lo que no se debe golpear con tanta fuerza como si fuera necesario que todo el público te escuche. En realidad, si golpeas con mayor suavidad en el medio del parche tus golpes se pueden registrar más fácilmente. ¡Lo mismo se puede decir también del pedal de la batería! Ten presente la posición del muelle y coloca el pie de modo que puedas aprovechar ese punto de apoyo para evitar el desgaste.

### PREGUNTA: ¿Cómo hago para mantener la batería estable?

**RESPUESTA:** Intenta acercarte un poco más al pedal. Se mueve menos si pisas dando golpecitos con el pie, en lugar de como si estuvieras pulsando el pedal de un acelerador. Coloca algo pesado detrás de la batería.

### PREGUNTA: ¿Qué hago si no tengo espacio suficiente para la batería delante del televisor?

**RESPUESTA:** Modo mesa de café. Pon los paneles de la batería directamente en el bombo (sin las patas). Luego ponlos sobre una mesa de café (o mesa baja). El pedal de golpeo va sobre el suelo, debajo de la mesa de café. Puede que quieras apoyar el pedal contra algo pesado.

### PREGUNTA: Los platillos del Kit Rock Band 3 PRO-Drum y PRO-Cymbals Sin Cable están muy flojos, ¿cómo puedo arreglarlo?

**RESPUESTA:** Sobre cada platillo hay una tuerca mariposa que puede ajustarse para variar la tensión. Cuanto más ajustada esté, menos movimiento permitirá a cada platillo y vice versa.

### PREGUNTA: ¿Puede dañar mi batería si se mezclan los cables de colores de mi Kit Rock Band 3 PRO-Drum y PRO-Cymbals Sin Cable?

**RESPUESTA:** No. Los colores sirven de guía para mostrar qué color corresponde con qué platillo.

### PREGUNTA: ¿Qué área de los platillos debo tocar para que funcionen?

**RESPUESTA:** La mejor ubicación es directamente en el centro del área de goma en el platillo para ride, y en el borde del platillo para crash, lo cual produce un golpe más fuerte.

### PREGUNTA: ¿Puedo tocar el área de plástico duro en los platillos?

**RESPUESTA:** No se recomienda y podría dañarlos.

Para el servicio de garantía, **NO** devuelva el juego ni ninguna parte del mismo (incluido el Kit Rock Band 3 Pro-Drum & Pro-Cymbals Sin Cable) a ningún comercio minorista, aunque se trate de la tienda donde haya adquirido el producto. Los comerciantes **NO** son parte de nuestro programa de asistencia de garantía de Periféricos autorizado. En el caso poco probable de que encuentre alguna pieza defectuosa en este juego, visite [www.madcatz.com](http://www.madcatz.com). Este sitio web incluye información pormenorizada de cómo beneficiarse del programa de asistencia de garantía.

### GARANTÍA LIMITADA DE 90 DÍAS (SÓLO NORTEAMÉRICA)

Mad Catz garantiza que este producto no presentará defectos de material ni de mano de obra durante el periodo de garantía. La presente garantía de noventa (90) días, intransferible y limitada, se le otorga exclusivamente a usted, primer comprador usuario final. Si aparece un defecto cubierto por la presente garantía y ha registrado su producto en Mad Catz y presenta comprobante de compra, Mad Catz, a su discreción, reparará o sustituirá el producto sin cargo alguno.

La garantía limitada de noventa (90) días de Mad Catz sólo se aplica a los compradores de Norteamérica, que compran Canadá, México y Estados Unidos. El único y exclusivo remedio será la reparación o sustitución de su producto Mad Catz. En ningún caso la responsabilidad de Mad Catz superará el precio original de compra del producto. Esta garantía no será de aplicación en caso de: (a) desgaste lógico y normal o utilización incorrecta; (b) uso industrial, profesional o comercial; (c) si el producto se ha manipulado indebidamente o se ha modificado.

### GARANTÍA LIMITADA DE 2 AÑOS (SÓLO EUROPA)

Mad Catz garantiza que este producto estará libre de defectos en materiales y mano de obra durante la vigencia de la garantía. Se extiende esta garantía limitada de dos (2) años exclusivamente a usted, el comprador original, y no podrá traspasarse a otra persona. Si se presenta algún defecto cubierto por esta garantía y usted ha inscrito el producto con Mad Catz y presenta comprobante de compra, Mad Catz, a su criterio, reparará o repondrá el producto sin cargo alguno.

La garantía limitada de dos (2) años de Mad Catz sólo se aplica a los compradores de Europa. El único remedio que se ofrece es la reparación o reposición del producto de Mad Catz. La responsabilidad de Mad Catz en ningún caso excederá el precio de compra original del producto. Esta garantía no corresponderá a: (a) desgaste normal o mal uso del producto; (b) productos empleados para fines industriales, profesionales o comerciales; (c) productos alterados o modificados.

Para solicitar servicio al amparo de la garantía:

- Norteamérica: Llame al Departamento de Apoyo Técnico (Technical Support) de Mad Catz al 1.800.659.2287 o al 1.619.683.2815
- Europa: Llame al Departamento de Apoyo Técnico (Technical Support) de Mad Catz al +44 (0) 8450-508418
- Obtenga del Departamento de Apoyo Técnico un Número de Autorización para Devolución (Return Authorization Number)
- Envíe el producto a Mad Catz porte pagado
- Adjunte copia del comprobante de compra original en el que figura la fecha de compra
- Adjunte la dirección completa a la cual debemos enviarle el producto, así como los números telefónicos donde podremos comunicarnos con usted durante el día y primeras horas de la noche.

### APOYO TÉCNICO

Apoyo en líneas y guías para el usuario: [www.madcatz.com](http://www.madcatz.com)

Correo electrónico Norteamérica: [techsupport@madcatz.com](mailto:techsupport@madcatz.com)

Teléfono Norteamérica: Desde las 8 hasta las 16 horas, hora del Pacífico, de lunes a viernes (con excepción de los días festivos en EE.UU.), 1.800.659.2287 (sólo desde EE.UU.)

o 1.619.683.2815 (desde otros países).

Correo electrónico Europa: [techsupporteurope@madcatz.com](mailto:techsupporteurope@madcatz.com)

Teléfono Europa: Desde las 9 hasta las 17 horas, hora del GMT, de lunes a viernes (con excepción de los días festivos), +44 (0) 8450-508418

Usted comprende que sus derechos como consumidor pueden variar dependiendo del lugar donde reside y de las leyes y regulaciones locales aplicables, y que algunos o todos sus derechos pueden ser diferentes, o que algunos derechos o partes de la garantía pueden no aplicarse en su caso. Si no está seguro o tiene alguna pregunta sobre sus derechos, debería consultar con sus asesores o grupos locales de consumo para determinar las leyes y regulaciones que pudieran aplicarse en su caso.

Si el comprador es un habitante de Australia o Nueva Zelanda, quedan excluidos de esta garantía todos los demás términos, condiciones y acuerdos, todas las condiciones, garantías y términos a los que hacen referencia los estatutos, la ley general o el uso y costumbre, excepto cualquier condición no excluible. Excepto en lo que se refiere a la responsabilidad exigida por ley o por las normativas con relación a cualquier condición no excluible, nuestra responsabilidad con el comprador por cualquier acción u omisión, tanto si se deriva del contrato como por agravio, incluyendo negligencia, o de otro modo relacionado con el dispositivo o nuestro acuerdo, queda por el presente documento invalidada y excluida. Para estos fines, la "condición de no excluible" incluye cualquier garantía implícita, condición o garantía cuya exclusión infrinja, en caso de los consumidores australianos el Australian Trade Practices Act 1974 (Ley de Prácticas de Comercio Australiana de 1974) ("TPA") o, en caso de los consumidores de Nueva Zelanda, el New Zealand Consumer Guarantees Act 1993 (Ley de Garantías del Consumidor de Nueva Zelanda de 1993) ("CGA") o en cualquier caso, anularía todo o parte de cualquier exclusión o limitación de responsabilidad o recurso. En caso de cualquier infracción de una condición de no excluible (diferente a la incluida en la sección 69 de la TPA en Australia), los recursos del comprador son limitados, y a nuestra discreción, nuestra responsabilidad se limita a volver a suministrar, sustituir o reparar el dispositivo (o a la discreción del comprador, a pagar los costes de hacer cualquier de estas acciones).

Es posible que tenga ciertos derechos como consumidor con respecto al comercio o tienda donde adquirió este controlador. Las exclusiones, restricciones, términos y condiciones que aquí se establecen no afectan ni modifican los derechos que pueda tener conforme a las leyes que se apliquen a su(s) transacción(es) con dichos comercios o tiendas.

### EXENCIÓN DE RESPONSABILIDAD DE OTRAS GARANTÍAS/RECURSOS:

Si el juego o cualquier parte del mismo se dañan por modificación, abuso, uso inadecuado, mal uso, negligencia o accidente, todas las garantías aplicables quedarán invalidadas y tendrá que seguir las instrucciones correspondientes a las devoluciones después del periodo de garantía.

EXCEPTO EN LAS GARANTÍAS LIMITADAS EXPRESAS ESTABLECIDAS ANTERIORMENTE Y/O EN LA MEDIDA EN QUE CUALQUIER GARANTÍA PARTICULAR O DERECHO NO SEA EXCLUIDO O LIMITADO POR LAS LEYES O NORMATIVAS DE LA REGIÓN EN LA QUE VIVA, MAD CATZ Y SUS LICENCIADORES RECHAZAN POR EL PRESENTE DOCUMENTO CUALQUIER GARANTÍA, TANTO ORAL COMO ESCRITA, EXPRESA O IMPLÍCITA, INCLUYENDO GARANTÍAS DE COMERCIABILIDAD O ADECUACIÓN PARA UN PROPOSITO DETERMINADO, Y CUALQUIER OTRA REPRESENTACIÓN NI GARANTÍA DE NINGUNA NATURALEZA SE APLICARÁ O SERÁ VINCULANTE PARA CON MAD CATZ NI SUS LICENCIADORES.

LAS GARANTÍAS AQUÍ DECLARADAS SON OFRECIDAS ÚNICAMENTE POR MAD CATZ, NO POR HARMONIX MUSIC SYSTEMS, INC. NI POR NINGUNA DE SUS FILIALES Y CONCESORES DE LICENCIAS/LICENCIATARIOS.

Si no se puede renunciar a la responsabilidad por alguna de las garantías aquí descritas debido a las leyes particulares aplicables en su caso, entonces tales garantías de este juego estarán limitadas al periodo de garantía descrito anteriormente y aplicable en su caso. En ningún caso Mad Catz, Harmonix Music Systems, Inc. ni sus respectivas filiales y concesores de licencias/licenciatarios se responsabilizarán de los daños fortuitos, indirectos o especiales derivados de la posesión, el uso o el funcionamiento incorrecto del juego, incluidos, sin limitaciones, cualquier controlador, software u otra parte del juego, incluidos daños a la propiedad, y en la medida que la ley lo permita, daños por lesiones personales, aunque estos fueran previsible o Mad Catz, Harmonix Music Systems, Inc. o sus respectivas filiales y concesores de licencias/licenciatarios hubieran sido advertidos de la posibilidad de tales daños.

ALGUNAS LEGISLACIONES NO PERMITEN LIMITACIÓN EN LA DURACIÓN DE LAS GARANTÍAS IMPLÍCITAS, POR ELLO, LAS LIMITACIONES ANTERIORES PUEDEN NO APLICARSE EN SU CASO. EN TODAS Y CADA UNA DE LAS JURISDICIONES, LA RESPONSABILIDAD DE MAD CATZ, HARMONIX MUSIC SYSTEMS, INC. E/O SUS RESPECTIVAS FILIALES Y CONCESORES DE LICENCIAS/LICENCIATARIOS SERÁ LIMITADA, Y LAS EXCLUSIONES SE INTERPRETARÁN PARA APLICARSE DENTRO DE LOS LÍMITES PERMITIDOS POR LA LEY.

### INFORMACIÓN IMPORTANTE SOBRE LAS PILAS PARA MANDOS INALÁMBRICOS

- Utilice solo pilas alcalinas normales AA nuevas.
- Sustituya todas las pilas usadas a la vez por otras pilas del mismo tipo.
- Asegúrese de que introduce las pilas correctamente siguiendo los signos + y - tal y como indica el manual de instrucciones y el compartimento para pilas del mando.
- Nunca inserte las pilas al revés.
- Si sabe que no va a utilizar el mando durante un periodo largo de tiempo, le recomendamos que extraiga las pilas.
- No mezcle pilas viejas y nuevas o de tipos diferentes.
- Retirar las baterías agotadas del controlador.
- No realice cortocircuitos en terminales de alimentación.

### ALMACENAR Y DESHACERSE DE PILAS USADAS ADECUADAMENTE

- Las pilas pueden explotar o tener pérdidas y provocar quemaduras si se recargan, si se tiran al fuego, si se mezclan con pilas de otro tipo, si se introducen al revés o si se desmontan.
- Nunca almacene ni eche pilas al fuego o a un lugar en llamas.
- No lleve pilas sueltas en el bolso o bolsillos.
- No extraiga la etiqueta de las pilas.
- Le recomendamos que compruebe las normativas locales, que se ponga en contacto con las autoridades locales o que busque en las direcciones del directorio de gobierno local si existe un lugar especial para la recogida de pilas o si hay alguna instrucción o requisito especial en su lugar de residencia. En el caso de las pilas recargables u otro tipo de pilas, el fabricante debería proporcionar instrucciones precisas sobre cómo deshacerse de ellas, y usted debería siempre leerlas y seguir las instrucciones del fabricante para evitar lesiones y daños y para cumplir con la ley y las normativas de protección de la salud, la seguridad y el medio ambiente.
- Algunos estudios plantean cuestiones sobre los efectos potenciales para la salud de equipos eléctricos o electrónicos y algunas de las sustancias peligrosas que estos puedan contener. Consulte siempre con su médico, quien podrá informarle sobre sus necesidades de salud en relación al uso del controlador, baterías u otras partes del juego.

### ⚠ PRECAUCIONES ⚠

- Use este equipo únicamente del modo previsto.
- Para evitar riesgo de incendio o descarga eléctrica, no exponga este equipo a la lluvia ni a la humedad. No lo utilice a menos de 9 metros de depósitos de agua como piscinas, bañeras o fregaderos.
- Para evitar descargar eléctricamente, no desmonte el equipo. Encargue las reparaciones únicamente a técnicos cualificados.
- Nunca introduzca en el producto objetos de ningún tipo distintos de los elementos autorizados, ya que pueden entrar en contacto con puntos de tensión peligrosos o cortocircuitar piezas que podrían provocar incendios o descargas eléctricas.
- Deje inmediatamente de utilizar este equipo si empieza a sentir cansancio o si experimenta incomodidad o dolor en las manos y/o brazos mientras utiliza el equipo. Si persistiesen los síntomas citados, consulte a un médico.



- No intente utilizar la unidad de ningún modo salvo con las manos. Evite situar el equipo en contacto con la cabeza o la cara o próximo a los huesos de cualquier otra parte del cuerpo.
- Evite usar este equipo durante largos espacios de tiempo. Haga pausas cada 30 minutos.
- El maltrato de las baterías incluidas en este equipo puede hacer que dichas baterías experimenten fugas y/o exploten y provoquen lesiones.
- Este producto contiene las piezas pequeñas que pueden causar asstrangular si están tragadas. No previsto para el uso por los niños bajo 3 años de la edad.

#### EPILEPSIA

Algunas personas pueden tener ataques epilépticos o desmayos provocados por los destellos de la televisión, aunque nunca antes hayan tenido ninguno. Cualquier persona que haya sufrido epilepsia, pérdida de conocimiento u otro síntoma similar, deberá consultar a un médico antes de jugar con videojuegos. Los padres deberían estar alerta cuando sus hijos juegan con videojuegos y vigilarlos regularmente. Deje de jugar y consulte a un doctor si usted o su hijo tienen alguno de los siguientes síntomas:

Convulsiones
Pérdida del Conocimiento
Movimientos Involuntarios
Tics Oculares o Musculares
Visión Alterada
Desorientación

#### CUANDO JUEGE CON VIDEOJUEGOS:

- Sitúese tan lejos de la pantalla como sea posible.
- Juege en la pantalla más pequeña disponible.
- No juegue si está cansado o necesita descansar.
- Juegue en una habitación bien iluminada.
- Tome un descanso de 15-minutos cada hora.

#### LESIONES POR MOVIMIENTOS REPETITIVOS

Jugar con videojuegos (y los movimientos repetitivos que ello implica) puede dañar sus músculos, articulaciones o la piel. Jugar con videojuegos de forma moderada evita tal daño. También:

- Tome un descanso de 10 a 15 minutos cada hora, aunque no crea que lo necesita.
- Si sus manos, muñecas o brazos empiezan a dolerle, o siente molestias o se siente cansado, deje de jugar y descanse durante algunas horas antes de volver a jugar.
- Si el dolor y las molestias persisten, deje de jugar y consulte a un doctor.

#### DECLARACIÓN DE CONFORMIDAD DE LA UE:

Número de Modelo: 97911

Nombre Comercial: Kit Rock Band 3 Pro-Drum & Pro-Cymbals Sin Cable

#### DECLARACIÓN DE CONFORMIDAD DE LA UE:

De acuerdo con las disposiciones legales, algunos de estos controladores han sido probados y cumplen con los requisitos de las Directivas de la Unión Europea 1999/5/EC y 2004/108/EC. El signatario autorizado del fabricante es Mad Catz, Inc., 7480 Mission Valley Road, Suite 101, San Diego, CA 92108.

#### Estados Unidos y Canadá:

De acuerdo con las disposiciones legales, algunos de estos dispositivos digitales de clase B (los controladores) han sido probados por Mad Catz, Inc., 7480 Mission Valley Road, Suite 101, San Diego, CA 92108, y cumplen con la sección 15 de las normas FCC y con la norma canadiense RSS-210 que establece los límites para proporcionar protección razonable frente a interferencias negativas en instalaciones residenciales. Estos dispositivos usan, generan y pueden radiar energía de radio frecuencia y, si no se instalan y usan de acuerdo a las instrucciones, pueden causar interferencias perjudiciales para las comunicaciones de radio. No existe ninguna garantía de que no se produzcan interferencias en ningún lugar o con ningún uso en particular. El funcionamiento está sujeto a las dos condiciones siguientes: (1) este dispositivo no puede causar interferencias perjudiciales y (2) este dispositivo debe aceptar cualquier interferencia recibida, incluidas aquellas que pueda causar el funcionamiento no deseado.

#### Exposición a la emisión de frecuencias de radio:

La potencia de salida emitida por el mando se encuentra dentro de los límites de frecuencia de radio de la FCC para este tipo de dispositivo, si no se modifi ca y se utiliza tan y como se indica en las instrucciones y el mando se maneja según las indicaciones de los estándares de seguridad de frecuencia de radio, que refl ejan el acuerdo en la comunidad científi ca, y por lo tanto el fabricante confía en que la radio inalámbrica interna del dispositivo es completamente inofensiva para el usuario. El nivel de energía emitida es muy inferior a la energía electromagnética por dispositivos inalámbricos como teléfonos móviles. Sin embargo, el uso de radios inalámbricas estará restringido en determinadas situaciones (como en aviones, por ejemplo). Si no está seguro de las restricciones que se aplican en tu caso, tendrá que solicitar permiso antes de encender, conectar o utilizar el mando.

© 2010 Harmonix Music Systems, Inc. Reservados Todos los Derechos. Rock Band 3 desarrollado por Harmonix Music Systems, Inc. Harmonix, Rock Band y todos los títulos y logotipos relacionados son marcas comerciales de Harmonix Music Systems, Inc., una compañía de MTV Networks. MTV. Music Television, MTV Games y todos los títulos y logotipos relacionados son marcas comerciales de MTV Networks, una división de Viacom Interncional, Inc. Mad Catz, PRO-Drum, PRO-Cymbals y el logotipo de Mad Catz son marcas comerciales o marcas comerciales registradas de Mad Catz, Inc., sus subsidiarias y afiliados. Mad Catz Europe, Ltd. 1-2 Shenley Pavilions, Chalkdell Drive. Shenley Woods, Milton Keynes, Buckinghamshire MK5 6LB, United Kingdom y MTV Networks, 1515 Broadway, New York, New York 10036 U.S.A. Fabricado y distribuido bajo licencia de Sony Computer Entertainment America LLC. “PlayStation” y el logotipo de la línea “PS” son marcas registradas, y “PSS” es marca registrada de Sony Computer Entertainment Inc. El resto de nombres y de las imágenes del producto son marcas registradas o marcas registradas de sus dueños respectivos. Hecho en China. Reservados todos los derechos. Las características, el aspecto y las especificaciones del producto pueden ser objeto de modificación sin previo aviso. Por favor guarde esta información para su consulta en el futuro.

www.rockband.com	
Controladores diseñados por:	Controladores fabricados por:
<b>Harmonix Music Systems Inc.</b> 625 Massachusetts Avenue Cambridge, MA 02139 United States of America	<b>Mad Catz, Inc.</b> 7480 Mission Valley Road, Suite 101 San Diego, CA 92108 United States of America

¿Alguna pregunta? Visite nuestro sitio web [www.madcatz.com](http://www.madcatz.com) o llame al 1.800.659.2287 (sólo en EE.UU.) o +44 (0) 8450-508418 (Europa).

Producto No. 97911 06/10

## DEUTSCH **Rock Band 3 Wireless PRO-Drum & PRO-Cymbals Ausrüstung für PlayStation 3**

#### WICHTIG

**Lesen Sie vor der Verwendung von Rock Band 3 (die „Software“) oder des Schlagzeugs, der Gitarre, des Keyboards und / oder des Mikrofons (jeweils „Controller“), das bzw. die zur Verwendung mit der Software bestimmt ist, mit der PlayStation 3 Konsole bitte das PlayStation 3 Konsole -Handbuch, um Sicherheits- und Gesundheitshinweise und andere Informationen und Anweisungen zur richtigen Verwendung der die PlayStation 3 Konsole zu erhalten. Der Einfachheit halber wird der Oberbegriff „Spiel“ für die Software und jeden bzw. alle Controller verwendet.**

Alle Fragen zur die PlayStation 3 Konsole sollten an den Hersteller gerichtet werden.

**ACHTUNG!** Bitte befolge ALLE Sicherheitshinweise und Anweisungen. Alle Änderungen oder Modifikationen am Spiel oder der die PlayStation 3 Konsole, die nicht von Mad Catz, Harmonix Music Systems, Inc. oder dem entsprechenden Hersteller der die PlayStation 3 Konsole ausdrücklich genehmigt wurden, können die Berechtigung des Benutzers zur Verwendung des Spiels und die Betriebslaubnis erlöschen lassen und machen die Garantien für das Spiel und die Hardware ungültig. Weder Mad Catz noch Harmonix Music Systems, Inc. bzw. oder ihrer entsprechenden verbundenen Unternehmen und Lizenzgeber / Lizenznehmer haften für Verletzungen oder Schäden, die aus einer falschen oder unzulässigen Verwendung dieses Spiels entstehen.

**WARNING:** DIESES GERÄT IST NUR FÜR ERWACHSENE UND KINDER AB 12 JAHREN GEEIGNET. KINDER UNTER 3 JAHREN SOLLTEN NICHT MIT DIESEM GERÄT SPIELEN. Kinder, die mit diesem Rock Band-Controller spielen, sollten IMMER von einem Erwachsenen beaufsichtigt werden.

**ACHTUNG:** Bitte stelle sicher, dass um jeden Spieler genügend freier Platz ist, damit umstehende Personen nicht vom Controller oder anderen Spielern getroffen werden. Um Verletzungen zu vermeiden, verwende diesen Rock Band-Controller nur mit größter Vorsicht. Weder Mad Catz noch Harmonix Music Systems, Inc. bzw. oder ihrer entsprechenden verbundenen Unternehmen und Lizenzgeber / Lizenznehmer haften für Verletzungen oder Schäden, die aus einer falschen oder unzulässigen Verwendung dieses Spiels entstehen.

#### Wichtige Informationen zur Sicherheit und Handhabung

- Modifi ziere den Controller nicht, baue ihn nicht auseinander und versuche nicht, ihn zu öffnen.
- Setze den Controller keinen extremen Bedingungen, wie direktem Sonnenlicht oder übermäßiger Feuchtigkeit, aus.
- Lasse den Controller nicht in Kontakt mit Flüssigkeiten kommen.
- Reinige den Controller mit einem trockenen Tuch. Verwende auf keinen Fall Chemikalien.
- Wenn der Controller den Radio- oder Fernsehempfang stört (kann durch Ein- und Ausschalten des Controllers überprüft werden), versuche, die Störung durch eine oder mehrere der folgenden Maßnahmen zu beheben:
  - Richte die Empfangsantenne (sofern vorhanden) des Controllers neu aus oder stelle sie an einem anderen Ort auf.
  - Erhöhe den Abstand zwischen dem Controller und der Spielkonsole.

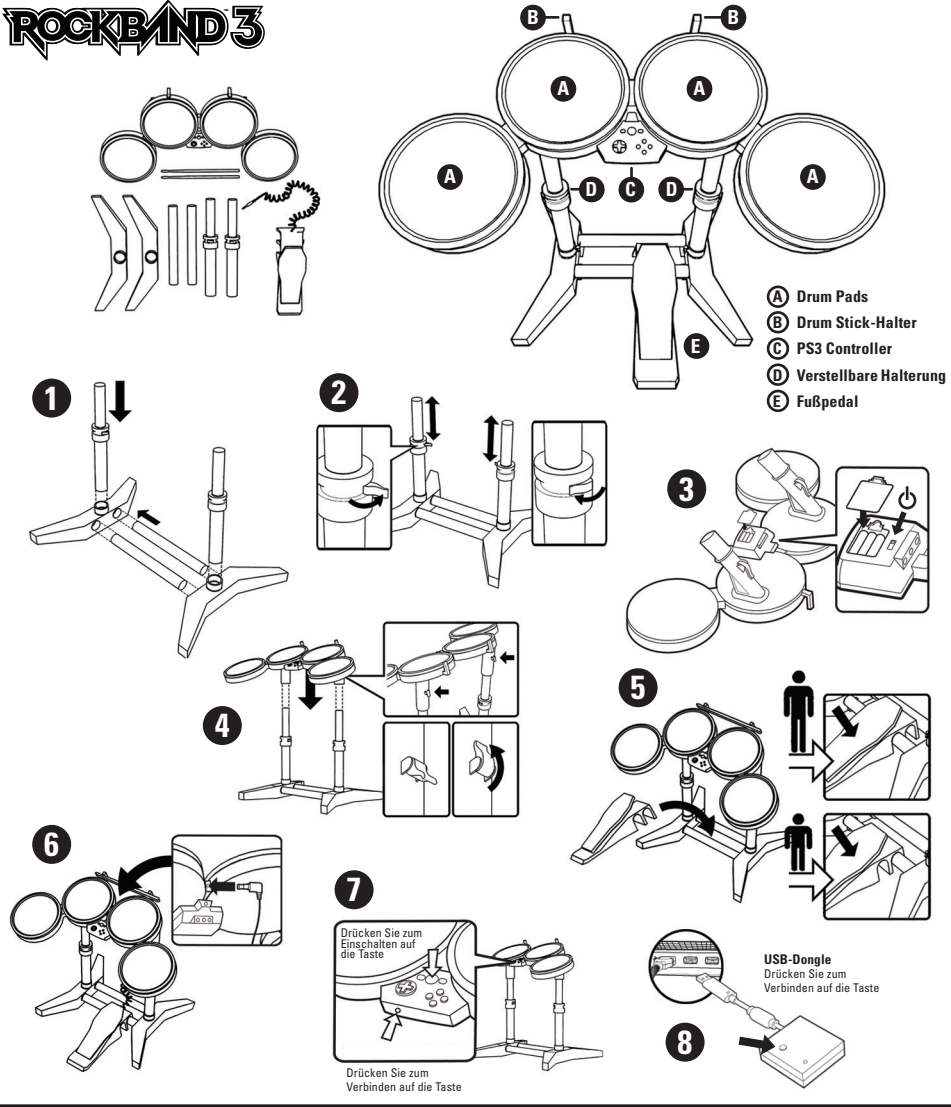
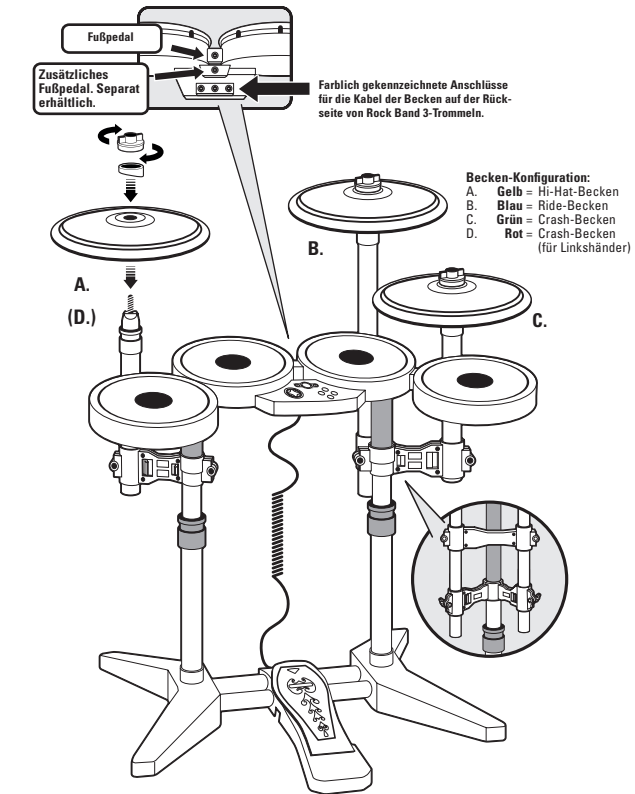


Fig. 1

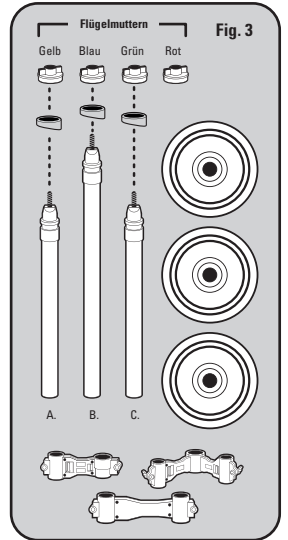
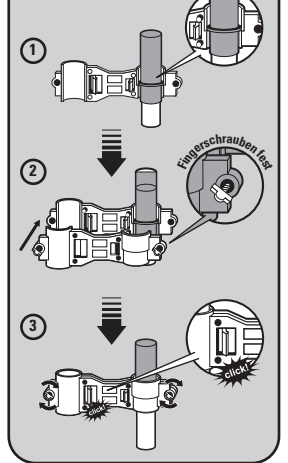


**Allgemeines Setup**

1. Befestigen Sie die Innenklemme um die Stütze an der Standfuß-Vorrichtung der Trommel. (Fig. 2)
2. Ziehen Sie die Fingerschrauben fest, um sie an der Standfußklemme der Trommel zu befestigen.
3. Schnellspannklemmen schnappen sicher ein.
4. Führen Sie die Metallstangen ein und stellen Sie die Höhe ein. (Fig. 1)
5. Ziehen Sie die Fingerschrauben der Metallstangen fest. (Fig. 2)
6. Fügen Sie der Stange das Becken hinzu. Achten Sie dabei auf die Becken-Konfiguration.
7. Schrauben Sie die Flügelmuttern mit der entsprechenden Farbe auf (Ziehen Sie sie nicht komplett fest, wenn sich das Becken nach vorne neigen soll).
8. Lösen Sie die Fingerschrauben, die die Metallstange halten, und drehen Sie die Stange, bis das Becken Ihrem Spielstil entsprechend orientiert ist.
9. Ziehen Sie die Fingerschrauben, die die Metallstange halten, wieder fest.
- 9A. (Optional) Lösen Sie die Fingerschrauben um die Standfüße der Trommel, um die Position der Metallstangen mit den Trommeln anzupassen, und ziehen sie die Schrauben wieder fest.
10. Schließen Sie die Kabel der Becken an den Trommeln an. Die Farbe des Beckens muss mit der des Kabelanschlusses übereinstimmen.

HINWEIS: Wickeln Sie zur Kabelführung die Kabel der Becken um die Metallstangen.  
 Mit farblich gekennzeichneten Flügelmuttern können Sie Becken einen bevorzugten Spielstil zuweisen.

Fig. 2





## HÄUFIG GESTELLTE FRAGEN

### FRAGE: Was kann ich tun, wenn meine Trommeln nicht richtig funktionieren?

**ANTWORT:** Es gibt verschiedene Faktoren, die bei Ihrem Schlagzeug Probleme verursachen und Ihr Spielerlebnis beeinträchtigen können. Es können möglicherweise Probleme mit dem Trommelfußpedal, dem Schlagzeug oder der Konsole selbst auftreten. Bitte folgen Sie den unten stehenden Schritten zur Problembekämpfung:

1. Schließen Sie den Dongle an den USB-Anschluss der Konsole an. Warten Sie, bis die LED des Dongles rot blinkt. Drücken Sie die Synchro-Taste des Dongles und lassen Sie sie los. Drücken Sie die Controller-Verbindungstaste (Synchro) und lassen Sie sie los. Drücken Sie die Controller-Verbindungstaste (Synchro) des Schlagzeugs und lassen Sie sie los. Trennen Sie n nach Ende der Spielsitzung den Dongle von der PlayStation 3-Konsole.
2. Prüfen Sie, ob der Stecker für das Fußpedal in den Anschluss auf der Rückseite des Schlagzeugs eingesteckt ist.
3. Stellen Sie sicher, dass der USB-Dongle mit dem System verbunden ist.
4. Probieren Sie, ob das Schlagzeug jetzt funktioniert.

Sollte das nicht funktionieren, versuchen Sie zu spielen, während die Trommeln in jeden der Controller-Ports der Konsole gesteckt sind.

### Die Trommeln funktionieren nicht:

Es liegt ein Problem am Schlagzeug oder Pedal selbst vor. Ersetzen Sie das defekte Teil mithilfe unseres Mad Catz-Garantieverfahrens.

### FRAGE: Worauf ist bei meinen Trommeln zu achten?

**ANTWORT:** Achten Sie besonders darauf, dass Ihre Drumpads nicht beschädigt werden. Wie bei einer echten Trommel können durch zu starkes Schlagen auf das Drumpad Risse oder Brüche entstehen und da auch elektronische Komponenten vorhanden sind, besteht die Gefahr, dass auch Sensoren und andere Teile beschädigt werden. Sie sollten außerdem das Schlagzeug niemals an den Drumpads anheben, da diese nicht dafür entwickelt wurden, das Gewicht des Schlagzeugs auf diese Weise zu tragen. Wenn Sie spielen, denken Sie auch immer daran, dass es sich nicht um echte Trommeln handelt. Diese Trommeln sind Spiel-Controller und es sollte nicht so stark auf sie geschlagen werden, als müsste Sie die gesamte Arena hören. Wenn Sie leichter und auf die Mitte der Drumpads tippen, werden Ihre Schläge möglicherweise sogar besser registriert. Das trifft auch auf Ihr Trommelfußpedal zu! Achten Sie auf die Feder und setzen Sie Ihren Fuß so ab, dass Sie den Stützpunkt entsprechend nutzen, um eine Abnutzung zu verhindern.

### FRAGE: Wie kann ich verhindern, dass mein Schlagzeug rutscht?

**ANTWORT:** Rücken Sie etwas näher an das Pedal heran. Es bewegt sich weniger, wenn Sie mit dem Fuß darauf tippen, anstatt es wie ein Gaspedal nach unten zu drücken. Stellen Sie etwas Schweres hinter das Schlagzeug.

### FRAGE: Was kann ich machen, wenn ich keinen Platz für das Schlagzeug vor dem Fernseher habe?

**ANTWORT:** Kaffeetischmodus. Setzen Sie die Drumpads direkt in die Trommelfüße ein (ohne Gestell). Stellen Sie dann das Schlagzeug auf den Kaffeetisch. Platzieren Sie das Fußpedal auf dem Fußboden unter dem Kaffeetisch. Lehnen Sie das Pedal gegebenenfalls an einen schweren Gegenstand.

### FRAGE: Die Becken des Rock Band 3 Wireless PRO-Drum und PRO-Cymbals Ausrüstung sind sehr locker, wie kann ich das beheben?

**ANTWORT:** Über jedem Becken befindet sich eine verstellbare Flügelmutter. Je fester sie angezogen ist, desto weniger bewegt sich das Becken und umgekehrt.

### FRAGE: Werden meine Trommeln beschädigt, wenn ich nicht die farblich entsprechenden Kabel meiner Rock Band 3-Becken anschließe?

**ANTWORT:** Nein. Die Farben sind nur als Hilfe für die richtige Zuordnung gedacht.

### FRAGE: Welchen Bereich des Beckens muss ich treffen, damit es am besten funktioniert?

**ANTWORT:** Für Ride ist die beste Stelle direkt in der Mitte des Gummibereichs des Beckens, und für Crash am Beckenrand, was einen lautereren Ton erzeugt.

### FRAGE: Darf ich den harten Plastikbereich an den Becken treffen?

**ANTWORT:** Das wird nicht empfohlen und kann zu Beschädigungen führen.

Für Serviceleistungen unter der Garantie bringen Sie das Spiel oder Teile davon (einschließlich des Rock Band 3 Wireless PRO-Drum und PRO-Cymbals Ausrüstung) NICHT zu dem Händler zurück, bei dem Sie es gekauft haben. Die Garantieleistungen werden NICHT vom Handel erbracht. In dem unwahrscheinlichen Fall, dass ein Problem mit einem Teil des Spiels auftritt, gehen Sie bitte zu [www.madcatz.com](http://www.madcatz.com). Hier finden Sie detaillierte Anweisungen für die Nutzung unseres Garantie-Kundendienstprogramms.

### TECHNISCHER SUPPORT

Per E-mail: [dehotline@madcatz.com](mailto:dehotline@madcatz.com)  
Telefonisch: 089-54612710  
Mo - Fr von 16:00 - 19:00 Uhr

Sie verstehen, dass Ihre Rechte als Verbraucher möglicherweise von dem Land, in dem Sie wohnen, und den dort geltenden Gesetzen und Vorschriften abhängen, und dass manche oder alle Ihrer Rechte anders sein können, oder dass manche Rechte oder Teile dieser Garantie möglicherweise nicht für sie gelten. Bei Unklarheiten/Fragen bezüglich Ihrer Rechte kontaktieren Sie bitte Ihren persönlichen Rechtsberater oder eine Verbraucherzentrale vor Ort, um sich über die für Sie geltenden Gesetze und Vorschriften informieren zu lassen.

Wenn du in Australien oder Neuseeland wohnst, sind von dieser Garantie, diesen Nutzungsbedingungen und dieser Vereinbarung alle durch spezifische Gesetze, allgemeine Gesetze, Handelsbrauch oder Gewohnheitsrechte implizierten Bedingungen und Garantien ausgeschlossen, mit Ausnahme aller nicht ausschließbaren Bedingungen. Mit Ausnahme der von Gesetzen oder Bestimmungen erforderlichen Haftung hinsichtlich nicht ausschließbarer Bedingungen schließen wir unsere Haftung für mögliche Handlungen oder Nichthandlungen aus, gleich ob vertraglich, deliktisch (einschließlich Fahrlässigkeit) oder anderweitig mit diesem Gerät oder unserer Vereinbarung in Zusammenhang stehend. Für die Zwecke dieser Bestimmung bedeutet eine "nicht ausschließbare Bedingung" eine stillschweigende Garantie oder Gewährleistung, deren Ausschluss im Falle australischer Endverbraucher gegen den Australian Trade Practices Act 1974 ("TPA") bzw. im Falle neuseeländischer Endverbraucher gegen den New Zealand Consumer Guarantees Act 1993 ("CGA") verstoßen würde oder deren Ausschluss für eines oder beide Länder den Haftungsausschluss

bzw. die Haftungsbegrenzung ganz oder teilweise nichtig machen würde. Im Falle eines Verstoßes gegen eine nicht ausschließbare Bedingung (mit Ausnahme der in Absatz 69 des TPA in Australien implizierten Bedingungen) sind deine Rechtsmittel beschränkt. Unsere Haftung ist nach unserem Ermessen beschränkt auf die Neulieferung oder den Ersatz bzw. die Reparatur des Gerätes (oder nach unserem Ermessen) die Erstattung der für eine dieser Optionen anfallenden Kosten).

Sie haben möglicherweise bestimmte Verbraucherrechte gegenüber dem Händler oder Geschäft, bei bzw. in dem Sie diesen Controller gekauft haben. Die Ausschlüsse, Beschränkungen und hier genannten Bedingungen und Bestimmungen haben keinen Einfluss auf die gesetzlichen Rechte, die für Ihre Transaktion(en) mit solchen Händlern oder Geschäften gelten, und ändern diese nicht.

### AUSSCHLUSS ANDERER GARANTIE/RECHTMITTEL:

Wird das Spiel oder ein Teil desselben durch Modifikation, unzulässigen Gebrauch, falschen Gebrauch, falsche Behandlung, unsachgemäßen Gebrauch oder Unfall beschädigt, wird die geltende Garantie null und nichtig und Sie müssen den für eine Rückgabe nach Ablauf der Garantiezeit geltenden Anweisungen folgen.

MIT AUSNAHME DER OBEN ERLÄUTERTEN AUSDRÜCKLICH BEGRENZTEN GARANTIE UND/ODER SOWEIT BESTIMMTE GARANTIE ODER RECHTE GEMÄSS DER GESETZE UND BESTIMMUNGEN DEINES WOHNRORTS NICHT AUSGESCHLOSSEN ODER EINGESCHRÄNKT WERDEN DÜRFEN, SCHLIESSEN MAD CATZ UND SEINE LIZENZGEBER HIERMIT SÄMTLICHE MÜNDLICHEN, SCHRIFTLICHEN, AUSDRÜCKLICHEN ODER STILLSCHWEIGENDEN GARANTIE AUS, EINSCHLIESSLICH EINER ETWAIGEN GARANTIE DER MARKTGÄNGIGKEIT ODER EIGNUNG FÜR EINEN BESTIMMTEN ZWECK. ES GELTEN KEINE WEITEREN GARANTIE ODER GEWÄHRLEISTUNGEN JEDWEDER ART. MAD CATZ UND SEINE LIZENZGEBER UNTERLEGEN KEINEN WEITEREN GARANTIE ODER GEWÄHRLEISTUNGEN JEDWEDER ART.

DIE IN DIESEM DOKUMENT ANGEGBENEN GARANTIE WERDEN NUR VON MAD CATZ ANGEBOTEN UND NICHT VON HARMONIX MUSIC SYSTEMS, INC. BZW. EINEM SEINER VERBUNDENEN UNTERNEHMEN UND LIZENZGEBER/LIZENZNEHMER.

Ist ein Ausschluss von Garantien aufgrund der für Sie geltenden Rechte nicht möglich, sind die für dieses Spiel geltenden Garantien auf den oben beschriebenen, für Sie geltenden Garantiezeitraum beschränkt. Weder Mad Catz noch Harmonix Music Systems, Inc. bzw. seine entsprechenden verbundenen Unternehmen und Lizenzgeber/Lizenznehmer haften unter keinen Umständen für konkrete, befallig entstandene oder mittelbare Schäden oder Folgeschäden, die aus dem Besitz, der Verwendung oder der fehlerhaften Funktion des Spiels, einschließlich, aber nicht beschränkt auf Controller, Software oder andere Teile des Spiels, entstanden sind, einschließlich Sachschäden und, im gesetzlich erlaubten Ausmaß, Personenschäden, auch wenn diese vorhersehbar waren oder wenn Mad Catz, Harmonix Music Systems, Inc. bzw. seine entsprechenden verbundenen Unternehmen und Lizenzgeber/Lizenznehmer von der Möglichkeit solcher Schäden informiert waren.

SOLLTEN SOLCHE GARANTIE AUFGRUND DER AN DEINEM WOHNRORT GELTENDEN GESETZE NICHT AUSGESCHLOSSEN WERDEN KÖNNEN, WERDEN SOLCHE GARANTIE FÜR DIESES PERIPHERIEGERÄT AUF DIE OBEN BESCHRIEBENE FÜR DICH GELTENDE GARANTIEZEIT BEFRISTET. MAD CATZ UND SEINE LIZENZGEBER HAFTEN UNTER KEINEN UMSTÄNDEN FÜR SPEZIELLE SCHÄDEN, FOLGESCHÄDEN ODER BELÄUFIGE SCHÄDEN, DIE AUS DEM BESITZ, DEM GEBRAUCH ODER EINER FEHLFUNKTION VON ROCK BAND, EINEM PERIPHERIEGERÄT ODER ANDEREM PRODUKT ENTSTEHEN, INSBESONDERE NICHT FÜR SCHÄDEN AN EIGENTUM UND, SOWEIT GESETZLICH ZULÄSSIG, PERSONENSCHÄDEN, SELBST WENN MAD CATZ UND SEINE LIZENZGEBER AUF DIE MÖGLICHKEIT SOLCHER SCHÄDEN BESONNEN WÄREN. EINIGE GERICHTSBARKEITEN ERLAUBEN BESTIMMTE EINSCHRÄNKUNGEN ODER AUSSCHLÜSSE NICHT, WESHALB DIE OBEN STEHENDEN EINSCHRÄNKUNGEN UND AUSSCHLÜSSE UNTER UMSTÄNDEN NICHT FÜR DICH GELTEN. IN ALL DIESEN GERICHTSBARKEITEN WIRD DIE HAFTUNG VON MAD CATZ, HARMONIX MUSIC SYSTEMS, INC. BZW. UND SEINER ENTSPRECHENDEN VERBUNDENEN UNTERNEHMEN UND LIZENZGEBER/LIZENZNEHMER IM GESETZLICH ULLÄSSIGEN MASSE BESCHRÄNKT UND DIE AUSSCHLÜSSE WERDEN IM GESETZLICH ZULÄSSIGEN MASSE GELTEGT.

### WICHTIGE INFORMATIONEN ZU DEN BATTERIEN DRAHTLOSER CONTROLLER

- Verwende nur neue Standardbatterien des Typs AA Alkaline.
- Ersetze alle leeren Batterien gleichzeitig mit Batterien desselben Typs.
- Achte darauf, dass du die Batterien korrekt einlegst, indem du die im Handbuch und im Batteriefach des Controllers angegebene Polung beachtest. Lege die Batterien nicht falsch ein.
- Wird der Controller längere Zeit nicht benutzt, solltest du die Batterien entfernen.
- Alte und neue Batterien sowie Batterien unterschiedlichen Typs sollten nie zusammen verwendet werden.
- Entfernen Sie leere Batterien aus dem Controller.
- Anschlüsse dürfen nicht kurzgeschlossen werden.



### RICHTIGE AUFBEWAHRUNG UND ENSORGUNG VON BATTERIEN UND ELEKTRO- UND ELEKTRONIK-ALTGERÄTEN

- Batterien können explodieren oder auslaufen und verursachen unter Umständen Verbrennungen, wenn sie aufgeladen, Feuer ausgesetzt, mit anderen Batterietypen kombiniert, falsch eingesetzt oder zerlegt werden.
- Bewahre Batterien nie an einem heißen Ort auf.
- Bewahre Batterien nicht lose in deinen Taschen oder Handtasche auf.
- Entferne das Etikett der Batterie nicht.
- Überprüfe die örtlichen Bestimmungen oder wende dich an die zuständigen Behörden oder deine Gemeinde, um dich zu informieren, ob du Batterien gesondert entsorgen musst. Lies und befolge die Anweisungen des Herstellers, um Verletzungen und Schäden zu vermeiden und dich an die geltenden Gesundheits-, Sicherheits- und Umweltsetze und -bestimmungen zu halten.
- Einige Studien weisen auf potenzielle Gesundheitsrisiken durch Elektro- und Elektronikgeräte und in ihnen enthaltene Stoffe hin. Wenn Sie gesundheitliche Probleme oder allgemeine Fragen zu Auswirkungen der Verwendung des Controllers, von Batterien oder anderen Teilen des Spiels auf Ihre Gesundheit haben, konsultieren Sie bitte stets Ihren Arzt.
- Die Kennzeichnung mit einem durchgestrichenen Mülltonnen-Symbol gibt an, dass das Elektro- oder Elektronikgerät, einschließlich Batterien, nicht als Hausmüll entsorgt werden darf. Achten Sie auf die Einhaltung der Entsorgungs- und Recyclingrichtlinien.

### ⚠️ WARNHINWEISE ⚠️

- Benutzen Sie die Einheit nur für den vorgesehenen Zweck.
- Um den Ausbruch eines Feuers oder eine andere Gefahrensituation zu verhindern, setzen Sie die Einheit weder Regen noch Feuchtigkeit aus. Halten Sie einen ausreichend großen Abstand zu Wasser (ca. 80 cm), z. B. in Schwimmbecken, in Badewannen oder Waschbecken.
- Um elektrischen Schock zu vermeiden, nehmen Sie das Gerät nicht auseinander. Das Gerät darf nur von qualifiziertem Personal gewartet werden.
- Führen Sie, mit Ausnahme der zulässigen Elemente, keine Gegenstände jeglicher Art in das Gerät ein, da sie gefährliche Spannungspunkte berühren oder einen Kurzschluss auslösen können, was zum Ausbruch von Feuer oder elektrischem Schock führen kann.
- Wenn Sie sich müde oder unwohl fühlen oder Schmerzen in Ihrer Hand oder Ihrem Arm haben, beenden Sie unverzüglich die Verwendung der Einheit. Suchen Sie einen Arzt auf, wenn sich Ihr Zustand nicht bessert.
- Bedienen Sie die Einheit ausschließlich mit den Händen. Bringen Sie die Einheit nicht in Kontakt mit Ihrem Kopf oder Ihrem Gesicht oder in die Nähe von anderen Körperteilen.
- Vermeiden Sie eine zu lange Verwendung der Einheit. Legen Sie alle 30 Minuten eine Pause ein.
- Die falsche Verwendung von Batterien in dieser Einheit kann zum Auslaufen der Batterie oder zu ihrer Explosion führen und körperliche Verletzungen zur Folge haben.
- Dieses Produkt enthält Kleinteile, die beim Verschlucken Erstickungsgefahr darstellen. Für Kinder unter 3 Jahren nicht geeignet.

### ⚠️ WARNUNG – EPILEPTISCHE ANFÄLLE

Bei einigen Personen können durch das blinkende Licht in TV- oder Videospielen/PC epileptische Anfälle oder Bewusstseinsausfälle ausgelöst werden, selbst wenn Sie nie zuvor einen Anfall erlitten haben. Personen, die bereits epileptische Anfälle, epileptische Bewusstseinsstörungen oder andere Symptome, die mit Epilepsie im Zusammenhang stehen, hatten, sollten vor dem Spielen eines Videospiels unbedingt einen Arzt aufsuchen. Eltern sollten Kenntnis haben, dass ihre Kinder Videospiele spielen und sollten regelmäßig nach ihnen sehen. Brechen Sie das Spiel ab, wenn Sie oder Ihr Kind folgende Symptome aufweisen:

- Krämpfe
- Bewusstseinsverlust
- Unfreiwillige Bewegungen
- Augen- oder Muskelzuckungen



Wahrnehmungsstörungen  
Desorientiertheit

#### BEIM SPIELEN VON VIDEOSPIELEN/PC:

1. Sitzen oder stehen Sie von dem Bildschirm so weit wie möglich entfernt.
2. Spielen Sie Videospiele auf dem kleinstmöglichen Bildschirm.
3. Spielen Sie nicht, wenn Sie müde oder ruhebedürftig sind.
4. Spielen Sie in einem gut beleuchteten Raum.
5. Machen Sie jede Stunde eine 15-minütige Pause.

#### VERLETZUNGEN DURCH WIEDERHOLTE BEWEGUNGEN

Das Spielen von Videospielen/PC (und die hiermit verbundenen wiederholten Bewegungen), können zu Schmerzen in Ihren Muskeln, Gelenken und der Haut führen. Ein Spielen in Maßen kann solche Schädigungen verhindern. Zusätzlich:

- Machen Sie jede Stunde eine 10 – 15-minütige Pause, selbst wenn Sie denken, dass Sie diese nicht benötigen.
- Wenn Ihre Hände, Arme, Gelenke oder Arme zu schmerzen beginnen oder überanstrengt oder müde sind, unterbrechen Sie das Spiel für mehrere Stunden, bevor Sie es wieder fortsetzen.
- Sollte der Schmerz und die Ermüderserscheinungen andauern, brechen Sie das Spiel ab und konsultieren Sie einen Arzt.

#### EG-KONFORMITÄTSEKTLÄRUNG:

Produkt Nr.: 97911

Markennamen: Rock Band 3 Wireless Pro-Drum & Pro-Cymbals Ausrüstung

#### EG-KONFORMITÄTSEKTLÄRUNG:

Wie vorgeschrieben wurden bestimmte dieser Controller getestet und sie erfüllen die Anforderungen der EG-Richtlinien 1999/5/EG und 2004/108/EG. Der vom Hersteller autorisierte Unterzeichner ist Mad Catz, Inc., 7480 Mission Valley Road, Suite 101, San Diego, CA 92108.

Controller-Entwurf:

Harmonix Music Systems Inc.  
625 Massachusetts Avenue  
Cambridge, MA 02139  
United States of America

Controller-Herstellung:

Mad Catz, Inc.  
7480 Mission Valley Road, Suite 101  
San Diego, CA 92108  
United States of America

Produkt Nr. 97911 06/10

## ITALIANO PRO-Drum & PRO-Cymbals Wireless di Rock Band 3 per PlayStation 3

### IMPORTANTE

Prima di utilizzare Rock Band 3 (il "software") o i tamburi, la chitarra, la tastiera e/o il microfono, intesi per l'uso con il software (ciascuno, un "controller") con la console PlayStation 3, leggere il manuale di istruzioni di console PlayStation 3 per le norme di sicurezza e tutte le altre informazioni e istruzioni relative all'uso corretto di console PlayStation 3. Per comodità, il termine "gioco" si riferisce al software e ai controller, singolarmente e collettivamente.

Tutte le domande relative a la console PlayStation 3 devono essere rivolte al produttore.

**ATTENZIONE:** Rispetta TUTTI gli avvertimenti e le istruzioni sulla sicurezza. Qualsiasi modifica apportata al gioco o a console PlayStation 3 non espressamente approvata da Mad Catz, Harmonix Music Systems, Inc. o dal produttore PlayStation 3 applicabile potrebbe invalidare l'autorizzazione per l'utente a utilizzare e far funzionare il gioco, e invaliderà tutte le garanzie del gioco e dell'hardware. Né Mad Catz né Harmonix Music Systems, Inc. o i suoi rispettivi affiliati e concessionari di licenza/licenziatari saranno responsabili per lesioni o danni risultanti dall'utilizzo improprio o non autorizzato del gioco.

**ATTENZIONE:** TIENI L'APPARECCHIO LONTANO DALLA PORTATA DI NEONATI E BAMBINI DI ETÀ INFERIORE AI 3 ANNI. Questo apparecchio è indicato per gli adulti e i bambini di almeno 12 anni di età. I bambini che possono usare il controller di Rock Band devono farlo SEMPRE in presenza di un adulto.

**ATTENZIONE:** Assicurati che i giocatori che utilizzano il controller di Rock Band abbiano abbastanza spazio intorno a sé per evitare di colpire altre persone od oggetti. Utilizza il controller di Rock Band con attenzione per evitare incidenti. Né Mad Catz né Harmonix Music Systems, Inc. o i suoi rispettivi affiliati e concessionari di licenza/licenziatari non potranno essere ritenute responsabili di eventuali danni dovuti all'uso improprio del controller di Rock Band.

#### Informazioni importanti sulla sicurezza e sull'utilizzo:

- Non modifi care, smontare o tentare di aprire il controller.
- Non esporre il controller a condizioni estreme, inclusa la luce diretta del sole e un'eccessiva umidità.
- Evita che il controller venga a contatto con i liquidi.
- Se necessario, pulisci il controller utilizzando un panno asciutto sulla zona interessata. Non usare prodotti chimici.
- Se il controller dovesse causare interferenze con la ricezione di radio e televisione (per scoprirlo basta spegnere e riaccendere il controller), prova a seguire questi consigli:

- (1) Se possibile, riorienta o sposta il ricevitore del controller.
- (2) Aumenta la distanza fra il controller e la console di gioco.

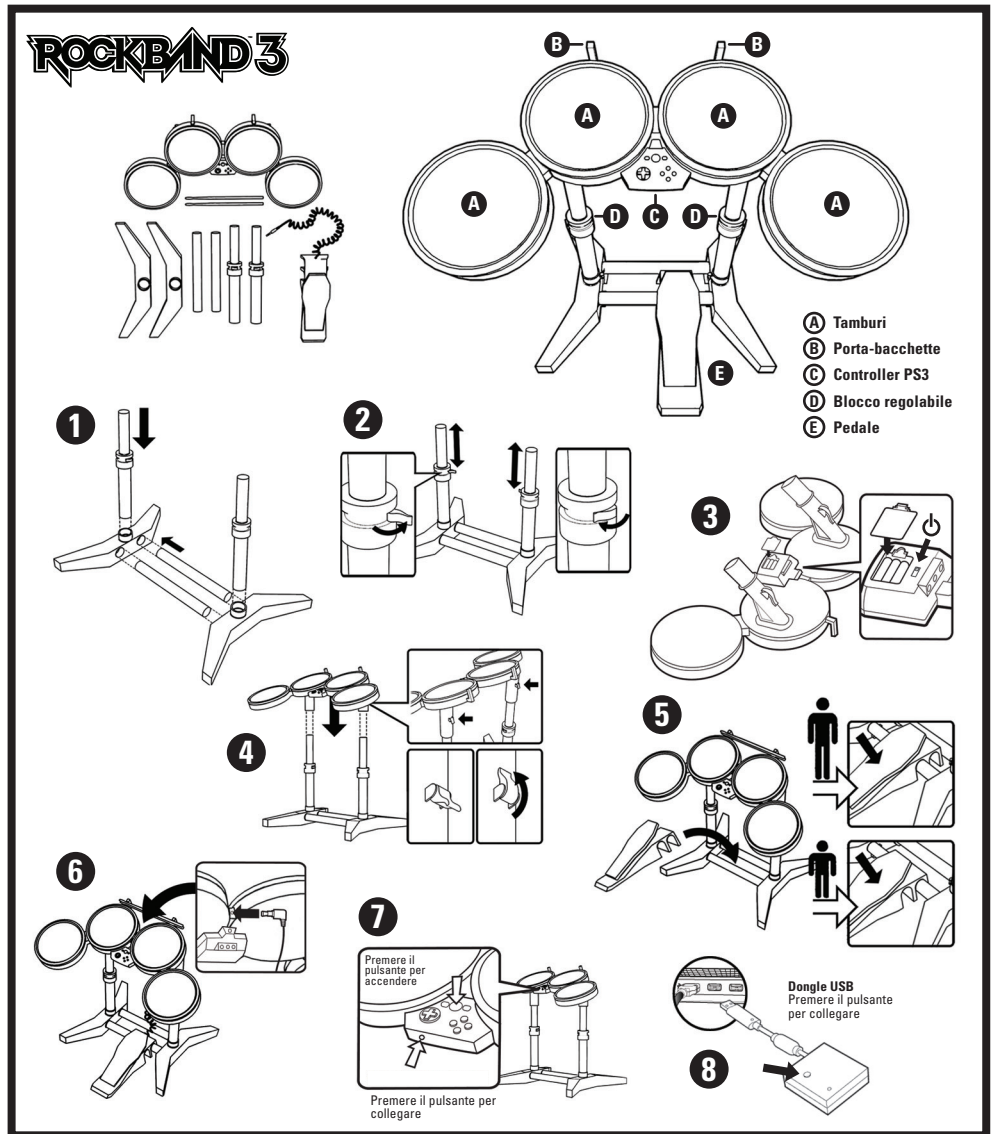
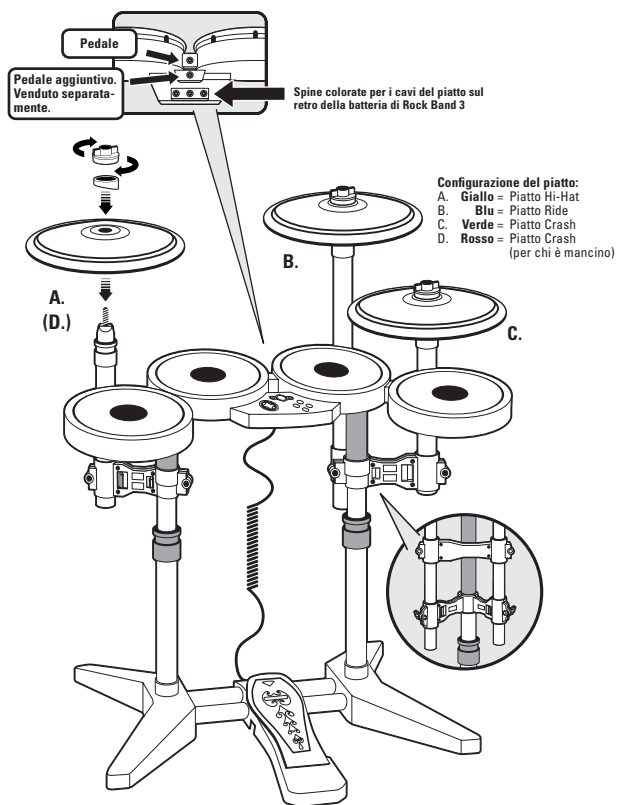


Fig. 1

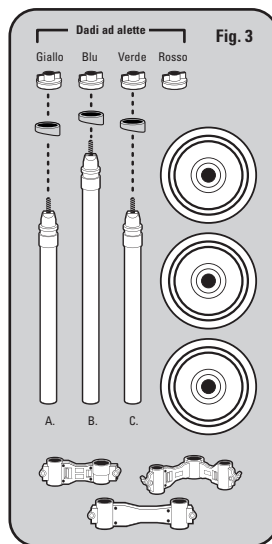
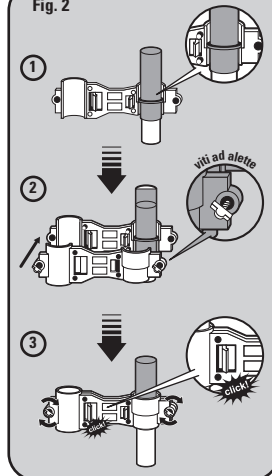
**Installazione**

- Serrare il morsetto interno attorno al supporto situato sulla staffa del tamburo. (Fig. 2)
- Serrare le viti ad alette per fissarla al morsetto della staffa della batteria.
- I ganci a sblocco rapido scattano saldamente in posizione.
- Inserire le aste in metallo e regolare l'altezza. (Fig. 1)
- Serrare le viti ad alette delle aste in metallo. (Fig. 2)
- Aggiungere il piatto all'asta in base alla configurazione del piatto.
- Avvitare sul dado ad alette del colore giusto (non serrare completamente se si desidera che il piatto sia inclinato in avanti).
- Allentare le viti ad alette che sostengono l'asta di metallo e ruotare l'asta in modo tale che il piatto sia orientato al proprio stile di gioco.
- Serrare nuovamente la vite ad alette che sostiene l'asta in metallo.
- (Opzionale) Allentare le viti ad alette intorno alle staffe della batteria per ruotare e regolare la posizione delle aste in metallo, orientandole alle membrane, quindi serrare nuovamente le viti.
- Collegare i cavi del piatto alla batteria. Far corrispondere il colore del piatto al connettore del cavo.

**SUGGERIMENTO:** Avvolgere i cavi del piatto alle aste in metallo per evitare ingombri del cavo.

I dadi ad alette colorati consentono di regolare i piatti in base allo stile di gioco preferito.

Fig. 2

**DOMANDE PIÙ FREQUENTI (FAQ)****DOMANDA: Cosa faccio se i miei tamburi non funzionano correttamente?**

**RISPOSTA:** Ci sono molti fattori riconducibili alla batteria che possono dare problemi durante l'esperienza di gioco. È possibile che i problemi siano riconducibili al pedale, al set di tamburi o alla console stessa. Seguire le istruzioni per la risoluzione dei problemi qui sotto:

- Inserire il dongle nella porta USB della console. Attendere che il LED del dongle lampeggi con una luce rossa. Premere e rilasciare il pulsante sync del dongle. Premere e rilasciare il pulsante Connetti (Sync) del controller batteria. Una volta connesso, il LED del dongle rimarrà fisso e verrà assegnato al controller un numero giocatore. Alla fine della sessione di gioco, rimuovere il dongle dalla console PlayStation 3.
- Accertarsi che la spina del pedale sia installata nella presa sul retro della batteria.
- Accertarsi che il dongle USB sia collegato al sistema.
- Provare nuovamente la batteria.

**Se i tamburi non funzionano:**

C'è un problema con l'apparecchio o con il pedale. Sostituire l'elemento guasto mediante l'applicazione dei nostri criteri di garanzia Mad Catz.

**DOMANDA: Come devo prendermi cura dei miei tamburi?**

**RISPOSTA:** È necessario avere una cura particolare nell'evitare di danneggiare gli elementi batteria. Come con una batteria reale, troppa forza applicata all'elemento può provocare nel tempo un danno o una rottura; per la presenza di componenti elettronici, si rischia di danneggiare i sensori e altre apparecchiature. Inoltre, non si deve mai sollevare la batteria mediante gli elementi, poiché non sono costruiti per sostenere il peso del kit in quel modo. Infine, nel corso del gioco, ricordarsi che non si tratta di tamburi veri, ma di un controller di gioco che non deve essere colpito come se fosse necessario farsi sentire da uno stadio intero. Un tapping più lieve e al centro dell'elemento può agevolare la registrazione dei propri successi. Questo vale anche per il pedale della batteria! Prestare attenzione alla molla, e collocare il piede in modo da trarre vantaggio da quel punto d'appoggio per prevenire l'usura.

**DOMANDA: Come posso fare in modo che la batteria non scivoli?**

**RISPOSTA:** Provare a stare più vicino al pedale. Si muove di meno se viene premuto come se si battesse il ritmo con il piede, piuttosto che schiacciarlo come un acceleratore. Mettere qualcosa di pesante sotto la batteria.

**DOMANDA: Cosa devo fare se non ho abbastanza spazio per la batteria davanti al televisore?**

**RISPOSTA:** Modalità tavolino. Collocare gli elementi della batteria direttamente sui piedini (senza le staffe). Quindi, mettere la batteria così composta su un tavolino. Il pedale va messo sul pavimento sotto il tavolino. Potrebbe essere necessario fermare il pedale con qualcosa di pesante.

**DOMANDA: I piatti del PRO-Drum & PRO-Cymbals Wireless di Rock Band 3 sono allentati. Come posso risolvere il problema?**

**RISPOSTA:** Su ogni piatto si trova un dado ad alette che può essere regolato per ottenere maggiore o minore tensione. Più il dado è ben fissato, più stabile sarà ciascun piatto e viceversa.

**DOMANDA: Combinando in modo sbagliato i cavi colorati per il kit di piatti di PRO-Drum & PRO-Cymbals Wireless di Rock Band 3, si danneggiano i tamburi?**

**RISPOSTA:** No. I colori servono solo a indicare la corrispondenza con ciascun piatto.

**DOMANDA: Quale area dei piatti devo colpire per farli funzionare?**

**RISPOSTA:** Per il piatto Ride, il punto migliore si trova direttamente al centro dell'area in gomma, mentre per il piatto Crash il punto ideale è il bordo, che produce un suono più forte.

**DOMANDA: Posso colpire la superficie di plastica sui piatti?**

**RISPOSTA:** Non è consigliabile e potrebbe danneggiarli.

Per l'assistenza in garanzia, **NON** restituire il gioco o parte di esso (PRO-Drum & PRO-Cymbals Wireless di Rock Band 3 inclusa) al negozio, anche se si tratta del negozio dove è stato effettuato l'acquisto in origine. I negozi **NON** fanno parte del nostro programma di assistenza e garanzia autorizzato per le Periferiche. Nell'improbabile circostanza in cui si presenti un problema con un componente qualsiasi del gioco, si prega di visitare il sito [www.madcatz.com](http://www.madcatz.com). Questo sito contiene le istruzioni dettagliate su come avvalersi del nostro programma di assistenza e garanzia.

L'utente comprenderà che i suoi diritti come consumatore possono variare in base al luogo di residenza e alla normativa applicabile, e che i suoi diritti, in tutto o in parte, potrebbero essere diversi, oppure che alcuni diritti o parti della garanzia potrebbero non essere applicabili al suo caso. In caso d'incertezza o domande in merito ai propri diritti, è necessario ricorrere a consulenti personali o ad associazioni di consumatori a livello locale, in modo da determinare la legislazione e la normativa applicabili.

I residenti in Australia o in Nuova Zelanda sono esclusi da questa garanzia, dai termini e dalle condizioni dell'accordo, da tutte le condizioni, le garanzie e i termini impliciti stabiliti dalla legge, da leggi generiche o personali sul commercio o l'utilizzo del prodotto. Fanno eccezione tutte le condizioni non-escludibili. La nostra responsabilità nei tuoi confronti, a parte quella stabilita dalla legge e dalle norme per il rispetto di qualsiasi condizione non-escludibile, per qualsiasi atto od omissione, sia di natura contrattuale o a torto, inclusa la negligenza, o altrimenti legata all'apparecchio o al nostro accordo, viene quindi smentita ed esclusa. A tal proposito, con l'espressione "condizione non-escludibile" si intende ogni garanzia, implicita ed esplicita, o condizione la cui esclusione contravverrebbe, nel caso dei consumatori australiani, l'Australian Trade Practices Act 1974 ("TPA") o, nel caso dei consumatori neozelandesi, il New Zealand Consumer Guarantees Act 1993 ("CGA") o in ogni caso che annullerebbe tutte (o in parte) le esclusioni o le limitazioni di responsabilità o azioni legali. In caso di violazione di una qualsiasi condizione non-escludibile (oltre a quella indicata nella Sezione 69 del TPA in Australia), le azioni legali a tua disposizione sono limitate e la nostra responsabilità si limita (a nostra discrezione) a ritornare, sostituire o riparare l'apparecchio (o, sempre a nostra discrezione, a risarcire il costo per ciascuna di queste operazioni).

È possibile detenere certi diritti come consumatore in base alla regolamentazione commerciale del rivenditore o negoziante presso il quale è stato acquistato il controller. Le esclusioni, restrizioni, termini e condizioni stabiliti qui non influenzano o modificano i diritti che l'utente potrebbe detenere in base alla legislazione che si applica alla transazione o alle transazioni eseguite con le regolamentazioni commerciali di rivenditori o negoziati menzionati.

#### DICHIARAZIONE DI NON RESPONSABILITÀ PER ALTRE GARANZIE/RIMEDI:

Se il gioco o qualunque parte di esso risultano danneggiati per modifica, abuso, uso improprio, maltrattamento, incuria o incidente, qualsiasi garanzia applicabile decade e si invalida, cosicché sarà necessario seguire le istruzioni relative ai resi dopo il periodo di garanzia.

AD ECCEZIONE DELLE GARANZIE LIMITATE DESCRITTE SOPRA E/O NEI LIMITI DI QUALSIASI PARTICOLARE GARANZIA O DIRITTO CHE NON PUÒ ESSERE ESCLUSO O LIMITATO DALLE LEGGI E DALLE NORME VIGENTI NEL TUO PAESE DI RESIDENZA, MAD CATZ E I SUOI CONCESSIONARI DI LICENZA ESCLUDONO QUALSIASI TIPO DI GARANZIA, ORALE O SCRITTA, IMPLICITA O ESPLICITA, INCLUSE QUELLE DI COMMERCIALITÀ O IDONEITÀ A UN DATO SCOPO. NESSUN'ALTRA RIMOSTRANZA O GARANZIA DI QUALUNQUE NATURA POTRÀ ESSERE APPLICATA O IMPOSTA A MAD CATZ O AI SUOI CONCESSIONARI DI LICENZA.

LE GARANZIE STABILITE QUI SONO OFFERTE DA MAD CATZ E NON DA HARMONIX MUSIC SYSTEMS, INC. O DAI SUOI AFFILIATI E CONCESSIONARI DI LICENZA/LICENZIATARI.

Se una qualche garanzia qui acclusa non può dirsi decaduta in base alla normativa particolare che si applica ad un utente, tale garanzia applicabile al gioco è da considerarsi limitata al periodo descritto sopra. In nessun caso Mad Catz, Harmonix Music Systems, Inc. o i suoi rispettivi affiliati e concessionari di licenza/licenziatari sono da ritenersi responsabili per danni speciali, incidentali, indiretti o consequenziali risultanti dal possesso, uso o malfunzionamento del gioco, compresi, senza limitazioni, i controller, il software o altre parti del gioco, inclusi danni a cose, e nei limiti consentiti dalla legge, danni per lesioni personali, anche se prevedibili, oppure se Mad Catz, Harmonix Music Systems, Inc. o i suoi rispettivi affiliati e concessionari di licenza/licenziatari sono stati notificati della possibilità di tali danni.

ALCUNE GIURISDIZIONI NON PERMETTONO DETERMINATE LIMITAZIONI O ESCLUSIONI, QUINDI LE LIMITAZIONI E/O LE ESCLUSIONI ELENcate SOPRA POTREBBERO NON RIGUARDARE IL TUO CASO. IN TALI GIURISDIZIONI, LA RESPONSABILITÀ DI MAD CATZ HARMONIX MUSIC SYSTEMS, INC. E/O I SUOI RISPETTIVI AFFILIATI E CONCESSIONARI DI LICENZA/LICENZIATARI SARÀ LIMITATA E LE ESCLUSIONI INTERPRETATE PER ESSERE APPLICATE NEI LIMITI MASSIMI PREVISTI DALLA LEGGE.

#### INFORMAZIONI IMPORTANTI SULLE BATTERIE PER I CONTROLLER WIRELESS

- Utilizza solo batterie stilo AA alcaline standard nuove.
- Sostituisci sempre tutte le batterie usate contemporaneamente con altre dello stesso tipo.
- Assicurati di inserire le batterie nel verso giusto, rispettando i simboli + e -, come mostrato nel manuale di istruzioni e nel vano batterie del controller. Non inserire mai le batterie al contrario.
- Se non utilizzi il controller per un periodo di tempo prolungato, è consigliabile rimuovere le batterie.
- Non utilizzare contemporaneamente batterie vecchie e nuove o differenti tipi di batterie.
- Rimuovere le batterie esaurite dal controller.
- Non manomettere le centraline di distribuzione.



#### RACCOGLIERE E SMALTIRE CORRETTAMENTE LE BATTERIE E I MATERIALI ELETTRICI/ELETTRONICI

- Le batterie possono esplodere o perdere delle sostanze e causare danni da ustione se ricaricate, infu ammate, mischiate con un tipo diverso di batterie, inserite al contrario o aperte.
- Non conservare, posare o lanciare batterie su una fi amma o su un oggetto surriscaldato.
- Non lasciare le batterie sfuse nella tasca o nella borsa.
- Non rimuovere l'etichetta della batteria.
- Consulta le leggi locali o contatta il tuo comune di residenza per sapere se esistono norme specifiche per lo smaltimento delle batterie nella zona in cui vivi. Ricorda di leggere e di seguire sempre le indicazioni del produttore per evitare danni o lesioni e di rispettare le leggi e le norme per la tutela della salute, della sicurezza e dell'ambiente.
- Alcuni studi hanno dato origine a domande sui potenziali effetti per la salute di apparecchi elettrici ed elettronici e di alcune sostanze pericolose che possono contenere. Rivolgerti sempre ai propri consulenti sanitari, che possono fornire informazioni funzionali alle proprie esigenze mediche in merito all'uso di controller, batterie o altri componenti del gioco.

#### ⚠ AVVERTENZE ⚠

- Non usare per altri scopi se non quelli previsti.
- Non esporre il prodotto a pioggia o umidità, per evitare incendi e scosse elettriche. Tenere a una distanza minima di 10 m dall'acqua (piscine, vasche e lavelli).
- Non smontare per evitare scosse elettriche. Eventuali riparazioni vanno eseguite da personale qualificato.
- Non inserire nel prodotto oggetti, se non quelli previsti, per evitare che raggiungano punti con tensioni pericolose o che causino un cortocircuito con conseguenti scosse elettriche e incendi.
- In caso di stanchezza, pesantezza o dolore alle mani e/o alle braccia durante l'utilizzo del videogioco, sospendere immediatamente l'uso. Se tali condizioni persistono, consultare un medico.
- Far funzionare l'unità esclusivamente con le mani. Non portarla a contatto con altre parti del corpo (testa, viso o altro).
- Evitare un uso prolungato dell'unità. Fare una pausa ogni 30 minuti.
- Se le batterie vengono inserite in modo errono, potrebbero verificarsi fuoriuscite di sostanze nocive o potrebbero esplodere causando lesioni alle persone.
- Questo prodotto contiene pezzi minuscoli che, se ingeriti, possono causare soffocamento. Non adatto ai bambini sotto i 3 anni.

#### ATTENZIONE - RISCHIO DI CONVULSIONI

Alcuni individui potrebbero soffrire di convulsioni o perdita di coscienza temporanea, indotti dai bagliori che appaiono sul televisore o nei videogiochi, anche se ciò non si è mai verificato prima. Se si dovessero manifestare tali sintomi (o sintomi simili di tipo epilettico), consultare un medico prima di usare i videogiochi. I bambini che utilizzano videogiochi vanno periodicamente controllati dai genitori. Interrompere l'attività di gioco e rivolgersi al medico qualora il bambino mostrasse uno dei seguenti sintomi:

Convulsioni  
Perdita di coscienza  
Movimenti involontari  
Spasmi muscolari (anche dell'occhio)  
Alterazioni della vista  
Disorientamento

#### DURANTE IL GIOCO:

1. Stare il più lontano possibile dallo schermo.
2. Utilizzare lo schermo più piccolo disponibile.
3. Non giocare in caso di stanchezza o sonnolenza.
4. Giocare in un ambiente ben illuminato.
5. Fare una pausa di 15 minuti ogni ora di gioco.

#### ATTENZIONE - RISCHIO DI LESIONI DA SFORZO RIPETUTO

L'uso di videogiochi e i movimenti ripetuti che tale attività comporta, possono causare dolori muscolari, articolari o cutanei. Praticare questa attività con moderazione per evitare questo tipo di danni. Inoltre:

- Fare una pausa di 10-15 minuti ogni ora di gioco, anche se si ritiene di non averne bisogno.
- Se mani, polsi o braccia iniziano a dolere o si sente un indolenzimento o senso di spossatezza, interrompere il gioco e rimanere a riposo per diverse ore prima di riprendere. Se l'indolenzimento continua, consultare un medico prima di riprendere a giocare.

#### DICHIARAZIONE DI CONFORMITÀ CE

Prodotto No.: 97911

Nome del prodotto: PRO-Drum & PRO-Cymbals Wireless di Rock Band 3

#### DICHIARAZIONE DI CONFORMITÀ CE

Dichiarazione di conformità CE: come richiesto, alcuni di questi controller sono stati sottoposti a test e resi conformi ai requisiti delle Direttive dell'Unione Europea 1999/5/EC e 2004/108/EC. Il firmatario autorizzato del produttore è Mad Catz, Inc., 7480 Mission Valley Road, Suite 101, San Diego, CA 92108.

Controller progettati da:

**Harmonix Music Systems Inc.**  
625 Massachusetts Avenue  
Cambridge, MA 02139  
United States of America

Controller prodotti da:

**Mad Catz, Inc.**  
7480 Mission Valley Road, Suite 101  
San Diego, CA 92108  
United States of America

Produkt Nr. 97911 06/10

## DANSK

## Rock Band 3 trådløs PRO-Drum og PRO-Cymbals Kit til PlayStation 3

### VIGTIGT

**Før brug af Rock Band 3 ("softwaret") eller trommen, guitaren, keyboardet og/eller mikrofonen, som er beregnet til brug med softwaret (hver, en "controller") med PlayStation 3-konsol, skal PlayStation 3-konsol-vejledningen læses for sikkerhed, sundhed og al anden information angående den rette brug af PlayStation 3-konsol. "Spil" bruges som samlebetegnelse for softwaret og enhver og alle kontrollere.**

Alle spørgsmål angående PlayStation 3-konsol skal rettes til producenten.

**FORSIGTIG:** Overhold ALLE sikkerhedsadvarsler –og vejledninger. Enhver ændring eller forandring af spillet eller Wii, som ikke er udtrykkeligt godkendt af Mad Catz, Harmonix Music Systems, Inc. eller den relevante producent af Wii kan ugyldiggøre brugerens bemyndigelse til brug og betjening af spillet og vil ugyldiggøre alle garantier for spil og hardware. Hverken Mad Catz eller Harmonix Music Systems, Inc. eller deres respektive, associerede selskaber og licensgivere/licenshavere vil være ansvarlige for skader eller beskadigelser, der opstår af forkert eller uautoriseret brug af dette spil.

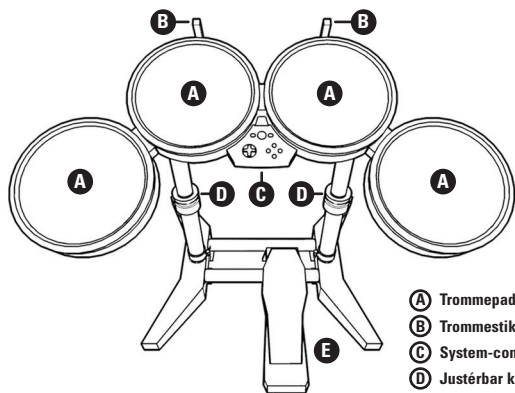
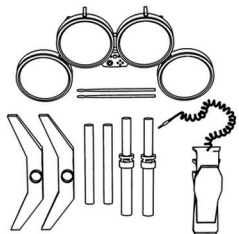
**ADVARSEL:** BØRN UNDER 36 MDR. MÅ IKKE LEGE MED ELLER BRUGE SPILLET. Controllere skal altid opbevares udenfor små børns rækkevidde. Controllere er kun egnet og tilsigtet til brug for voksne og børn på mindst 12 år, hvis de er under nøje opsyn af en voksen.

**ADVARSEL:** Sørg for at spillere der bruger denne Rock Band Controller har plads nok til at undgå at ramme andre med Controlleren eller blive ramt af andre spillere. Brug denne Rock Band Controller med omtanke for at undgå skader. Hverken Mad Catz eller Harmonix Music Systems, Inc. eller deres respektive, associerede selskaber og licensgivere/licenshavere vil blive holdt ansvarlig for skader som følge af forkert brug af denne Rock Band Controller.

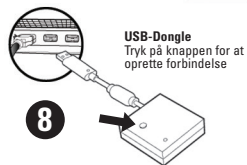
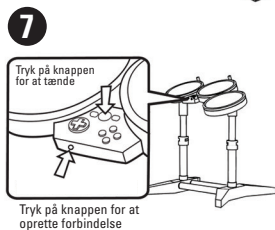
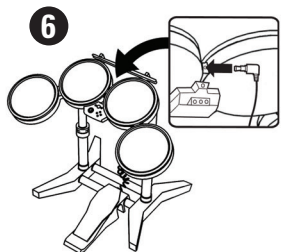
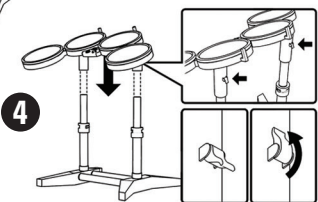
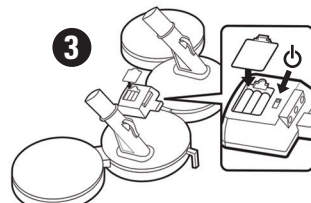
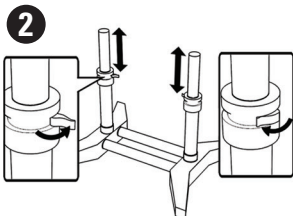
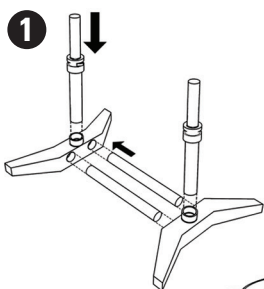
### Vigtig information om sikkerhed og rigtig behandling og brug af kontrollere:

- Controllere må ikke ændres, afmonteres eller forsøges åbnet.
- Controllere må ikke udsættes for ekstreme omstændigheder, inkl. direkte sollys eller overdreven fugtighed.
- Udsæt ikke kontrollere for væsker.
- Hvis det er nødvendigt at rengøre controlleren, skal der bruges en tør klud til at rengøre det påvirkede område. Brug aldrig kemikalier.
- Hvis en controller forårsager interferens for radio- eller tv-mottagelse (hvilket kan udledes ved at slukke og tænde controlleren), opfordres brugeren til at gøre ét af følgende:
  - (1) rette på eller omplacere controllerens modtageantenne, og/eller, hvis det er relevant,
  - (2) øge afstanden mellem controlleren og spilkonsollen

# ROCKBAND 3



- A Trommepads
- B Trommestikholder
- C System-controller
- D Justérbar klemme
- E Fodpedal

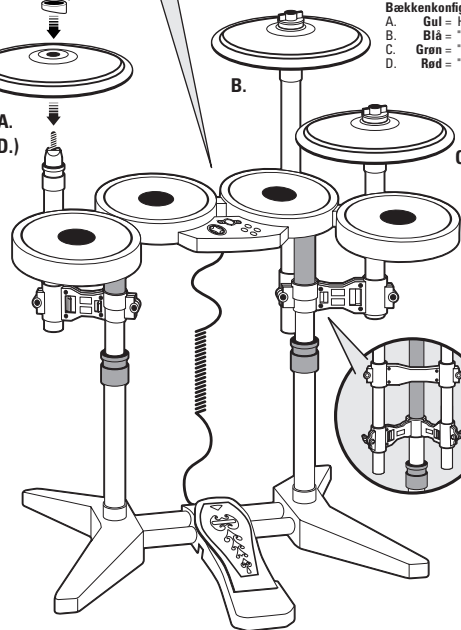
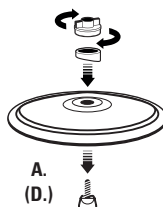


Tryk på knappen for at tænde

Tryk på knappen for at oprette forbindelse

USB-Dongle  
Tryk på knappen for at oprette forbindelse

Fig. 1



- Bækkenkonfiguration:
- A. Gul = Hi-hat-bækken
  - B. Blå = "Ride"-bækken
  - C. Grøn = "Crash"-bækken
  - D. Rød = "Crash"-bækken (For venstrehånde)

## Generel opsætning

1. Lås klemmen på indersiden af kantstøtten på trommehensenheden. (Fig. 2)
2. Stram fingerskruerne for at fastgøre enheden til trommesættets benklemme.
3. De hurtigudløsende clips klikker på plads.
4. Indsæt metalstængerne, og juster højden. (Fig. 1)
5. Stram fingerskruerne på metalstængerne. (Fig. 2)
6. Sæt bækkenet på stangen, i forhold til dets konfiguration.
7. Skru den korrekt farvede matric på (stram ikke helt til, hvis du ønsker, at bækkenet skal vippe fremad).
8. Løs de fingerskruer, der holder metalstangen, og drej stangen så bækkenet vender den vej, som passer til din spillestil.
9. Stram fingerskruen, som holder metalstangen, igen.
- 9A. (Valgfrit) Løs fingerskruerne omkring trommesættets ben for at justere stængernes placering i forhold til trommehovederne, og stram skruerne igen.
10. Tilslut bækkenkablerne til trommesættet. Sørg for, at bækkenfarverne matcher kabelstikkens farver.

TIP: Du kan vikle bækkenkablerne omkring metalstængerne for at holde styr på kablerne.

Brug de farvekodede møtrikker til at indstille bækkenerne til den ønskede spillestil.

Fig. 2

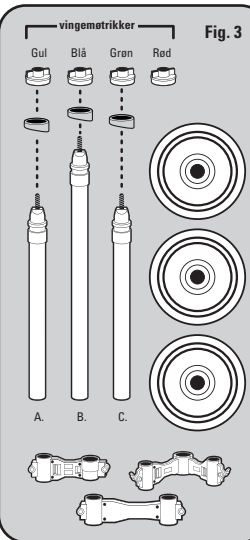
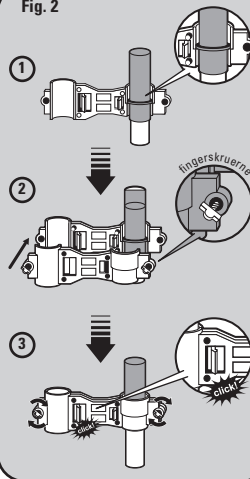


Fig. 3



## OFT E STILLE SPØRGS MÅL

### SPØRGS MÅL: Hvad skal jeg gøre, hvis mine trommer ikke virker ordentligt?

**SVAR:** Der er mange faktorer, der kan være årsager til, at trommesættet er problematisk for din spiloplevelse. Du har måske problemer med trompedalen, trommesættet eller konsollen selv. Følg fejlfindingstrinene nedenfor:

1. Indsæt donglen i konsollens USB-port. Vent, til donglens LED blinker rødt. Tryk og giv slip på donglens SYNC-knap. Tryk og giv slip på Keyboardets Controller Connect SYNC-knap. Når der er oprettet forbindelse, lyser donglens LED konstant. Tryk og giv slip på trommesættets Controller Connect (Sync)-knap. Fjern donglen fra PS3-konsollen, når en spilsession afsluttes.
2. Sørg for, at stikket til pedalen sidder i kontakten bagpå trommesættet.
3. Sørg for, at USB-donglen er forbundet til systemet.
4. Prøv trommesættet igen.

Hvis det ikke virker, så prøv spillet med trommerne koblet til hver af controller-portene på konsollen.

### Hvis trommerne ikke virker:

Der er et problem med sættet eller pedalen. Udskift den ikke-fungerende enhed via vores Mad Catz garanti-proces.

### SPØRGS MÅL: Hvordan passer jeg bedst på mine trommer?

**SVAR:** Du skal passe ekstra godt på, at dine tromme-pads ikke beskadiges. Ligesom med rigtige trommer, vil for kraftig tromming gennem længere tid forårsage revner eller huller, og da der er elektroniske komponenter involveret, er der også risiko for beskadigelse af sensorerne og andet udstyr. Du bør heller aldrig løfte trommesættet ved at holde på pad'ene, da de ikke er lavet til at kunne bære sættets totale vægt ved løft. Endelig skal du, når du spiller, huske, at det ikke er rigtige trommer, du spiller på, det er en game controller, og bør ikke spilles på, som om en hel koncert-hal skal kunne høre dig. Faktisk vil en lettere trommestil, hvor du spiller midt på pad'et være bedre til at opnå en god stil. Det gælder også for ind-trummedal! Vær forsigtig med fjederen og placér din fod, så du udnytter dette støttepunkt for at undgå slid.

### SPØRGS MÅL: Hvordan forhindrer jeg mit trommesæt i at rykke sig frem og tilbage under brug?

**SVAR:** Prøv at placere dig lidt tættere på pedalen. Den flytter sig mindre, hvis du trykker foden ned i små ryk, lidt ligesom som at trykke speederen i bund på en bil. Placér noget tungt bag trommesættet.

### SPØRGS MÅL: Hvad gør jeg, hvis jeg ikke har plads foran tv'et til trommesættet?

**SVAR:** Sofabord-indstilling. Sæt tromme-pad'erne direkte på tromme-fødderne (uden benene). Sæt derefter denne opstilling på dit sofa bord. Pedalen placeres på gulvet under sofa bordet. Det er en god idé at afstve pedalen mod noget tungt.

### SPØRGS MÅL: Bækkenerne til Rock Band 3 trådløst PRO-Drum og PRO-Cymbals Kit -bækkensættet sidder meget løse, hvad kan jeg gøre ved det?

**SVAR:** Der sidder en møtrik over hvert bækken, som kan justere stramheden. Jo strammere den sidder, desto mindre vil bækkenerne kunne bevæge sig, og vice versa.

### SPØRGS MÅL: Hvis jeg blander de forkerte farvekabler til Rock Band 3 trådløse PRO-Drum og PRO-Cymbals Kit-bækkensættet, beskadiger jeg så trommesættet?

**SVAR:** Nej. Farverne er ment som en guide, som viser hvilke farver svarer til hvert bækken.

### SPØRGS MÅL: Hvor skal jeg ramme bækkenerne for at de virker?

**SVAR:** Det er bedst at slå lige i midten af gummiområdet på bækkenet for at lave "ride"-lyde, og på bækkenet's kant for at lave "crash"-lyde.

### SPØRGS MÅL: Kan jeg slå på bækkenet's hårde plasticområde?

**SVAR:** Det anbefales ikke, da det kan skade bækkenet.

Spillet eller nogen del af spillet **MÅ IKKE** returneres for service under garantien til nogen detailbutik, heller ikke til den butik, hvor du købte det. Forhandlere hører **IKKE** under vores autoriserede garantisupportprogram. I det usandsynlige tilfælde, at du støder på et problem med enhver del af spillet, kan du besøge [www.madcatz.com](http://www.madcatz.com). Dette websted indeholder detaljeret vejledning i, hvordan vores garantisupportprogram bruges.

Du forstår, at dine rettigheder som forbruger kan variere afhængigt af, hvor du bor og lokale love og regulativer, og at nogen af eller alle dine rettigheder kan være anderledes eller nogen rettigheder eller dele af garantien muligvis ikke gælder for dig. Hvis du er usikker på eller har spørgsmål til dine rettigheder, kan du konsultere dine egne rådgivere eller lokale forbrugergrupper for at afgøre, hvilke love og regulativer, der gælder for dig.

Hvis du er bosiddende i Australien eller New Zealand, er visse undtagelser fra denne garanti gældende, inkl. vilkår, betingelser, garantier og vilkår angivet heri eller underforstået i vedtægter, generel lovgivning eller gældende praksis og brug, undtagen enhver "Ikke-ekskluderbar betingelse" som det vilkår, der er defineret nedenfor og udlagt under Australian Trade Practices Act 1974 ("TPA") eller, for forbrugere i New Zealand, New Zealand Consumer Guarantees Act 1993 ("CGA"). Bortset fra ansvar pålagt ved lov eller regulativ i forbindelse med enhver Ikke-ekskluderbar Betingelse, er vores ansvar overfor dig for enhver handling eller udeladelse, om denne opstår i kontrakt eller skadevoldende handling, inkl. forsømmelighed, eller på anden måde i forbindelse med kontrolløren eller vores aftale, hermed frataget og eksklusiveret. Her betyder "Ikke-ekskluderbar Betingelse" enhver underforstået garanti, betingelse eller garanti, som udelukkelsen kunne stridre imod, angående australske forbrugere, TPA eller, angående forbrugere i New Zealand, CGA eller i alle tilfælde, som ville forårsage alle eller dele af enhver udelukkelse eller ansvarsbegrænsning eller retsmiddel ugyldiggjort. For ethvert brud på en Ikke-ekskluderbar Betingelse (anden end underforstået af sektion 69 af TPA i Australien), er dine retsmidler begrænsede og, ved vores valg, er vores ansvar begrænset til enten at genlevere, udskifte eller reparere kontrolløren eller, vores valg, betale omkostningerne ved at udføre enhver af disse.

Du har muligvis visse rettigheder som forbruger angående den forhandler eller detailbutik, hvor du har købt denne controller. Udelukkelse, restriktioner, vilkår og betingelser fremsæt heri påvirker ikke og ændrer ikke de rettigheder, du måtte have under den lovgivning, der gælder din(e) transaktion(er) med sådanne forhandlere eller detailbutikker.

### ANSVARSRASKRIVELSE FOR ANDRE GARANTIER/RETSMIDLER:

Hvis spillet eller dele af spillet beskadiges grundet ændring, misbrug, forkert brug, dårlig behandling, forsømmelse eller ulykke, ugyldiggøres enhver gældende garanti, og du skal følge den vejledning, der gælder for returvarer efter udløb af garantiperioden.

BORTSET FRA DEN UDTRYKKELIGE BEGRÆNSEDE GARANTI FREMSAT OVENFOR OG/ELLER I DET OMFANG, ALLE SÆRLIGE GARANTIER ELLER RETTIGHEDER IKKE KAN FRASIGES ELLER BEGRÆNSES PÅ GRUND AF LOVGIVNING OG REGULATIVER, HVOR DU ER BOSIDDENDE, FRALÆGGER MAD CATZ OG DEN'S LICENSIGVERE SIG HERVED ALLE GARANTIER, MUNDTLIGE ELLER SKRIFTLIGE, UDTRYKKELIGE ELLER IMPLICITTE, INKL. ENHVER GARANTI FOR SALGBARHED ELLER EGNETHED TIL ET SÆRLIGT FORMÅL. INGEN ANDEN REPRÆSENTATION ELLER GARANTI AF NOGEN ART ELLER TYPE GÆLDER ELLER BINDER MAD CATZ ELLER DENNESS LICENSIGVERE.

GARANTIER ANGIVET HERI TILBYDES KUN AF MAD CATZ, IKKE HARMONIX MUSIC SYSTEMS, INC. ELLER NOGEN AF DERES ASSOCIEREDE SELSKABER OG LICENSIGVERE/LICENSHAVERE.

Hvis nogle garantier herunder ikke kan fraskrives på grund af den særlige lovgivning, som gælder for dig, er sådanne garantier, som gælder for dette spil, begrænset til den garantiperiode beskrevet ovenfor, som gælder for dig. Under ingen omstændigheder vil Mad Catz, Harmonix Music Systems, Inc. eller deres respektive, associerede selskaber og licensigvere/licenshavere eller disses licensigvere være ansvarlige for nogen særlig, tilfældig, indirekte eller resulterende skader, der opstår fra besiddelse, brug eller defekter i spillet, inkl., uden begrænsninger, enhver controller, software eller del af spillet, inkl. skade på øjendomme, og i den udstrækning tilladt ved lov, selv hvis dette er frugtsigtligt eller hvis Mad Catz, Harmonix Music Systems, Inc. eller deres respektive, associerede selskaber og licensigvere/licenshavere er blevet oplyst om muligheden for sådanne skader.

NOGEN JURISDIKTIONER TILLADER IKKE VISSE EKSKLUSIONSBEGRÆNSNINGER, SÅ OVENSTÅENDE BEGRÆNSNINGER OG/ELLER EKSLUSIONER GÆLDER MULIGVIS IKKE FOR DIG. I ALLE JURISDIKTIONER ER MAD CATZ, HARMONIX MUSIC SYSTEMS, INC. OG/ELLER DERES RESPEKTIVE, ASSOCIEREDE SELSKABER OG LICENSIGVERE/LICENSHAVERE ANSVARSBEGRÆNSET, OG EKSKLUDERINGER UDLÆGSES TIL AT VÆRE GÆLDENDE I DEN VIDESTE UDSTRÆKNING TILLADT VED LOV.

### VI GTIG INFORMATION OM TRÅDLØSE CONTROLLERE:

- Brug kun nye AA-alkalinebatterier
- Udskift alle brugte batterier samtidigt og med den samme batteritype.
- Sørg for at udskifte batterierne rigtigt, ved at + og – vender den rigtige som vist i vejledningen og i controllerens batterium. Indsæt aldrig batterier den forkerte vej.
- Hvis du ved, at du ikke kommer til at bruge kontrolløren over længere tid, anbefaler vi, at du fjerner batterierne.
- Blønd ikke gamle og nye batterier eller forskellige batterityper.
- Fjern uønskede batterier fra kontrolløren.
- Forsyningsterminalerne må ikke kortsluttes.

### FORSVARLIG OPBEVARING OG BORTSKAFFELSE AF BATTERIER OG ELEKTRISKE/ELEKTRONISKE MATERIALER

- Batterier kan ekspodere, lække eller forårsage brændningskader, hvis de genoplades, afbrændes, blandes med en anden batteritype, indsættes forkert eller demonteres.
- Batterier må ikke opbevares varmt eller brændes.
- Hav ikke batterier liggende i din lomme eller taske.
- Fjern ikke batterimærkaten.
- Kontrollér lokal lovgivning, tag kontakt til den relevante myndighed eller se efter offentlige myndigheders sider i din lokalvejviser, om der er særlige anvisninger eller krav om bortskaffelse af batterier i henhold til lokale love. Frodetent af genopladelige eller andre typer batterier skal angive anvisning om forsvarlig bortskaffelse. Læs og følg producentens anvisninger for at undgå skade og beskadigelse og sikre overholdelse af lovgivning og regulativer til beskyttelse af sundhed, sikkerhed og miljøet.
- Visse studier har rejst spørgsmål om elektrisk og elektronisk udstyr og visse af de sundhedsskadelige indholdstyper og hvordan disse potentielt påvirker sundheden. Rådspør altid dit eget sundheds personale, som kan rådgive dig om dine helbredsbehov i forbindelse med brug af kontrolløren, batterierne eller andre dele af spillet.
- Forbrugere spiller en rolle i genanvendelse. Skraldespandssymbolet med en streg igennem angiver, at du ikke må bortskaffe elektrisk/elektronisk udstyr inkl. batterier via kommunale eller rutinemæssige skraldeafhentninger. Bortskaffelse eller genanvendelse skal ske separat.

### ▲ FORHOLDSREGLER ▲

- Brug kun enheden til det beregnede formål.
- For at undgå brand eller fare for stød, må denne enhed ikke udsættes for regn eller fugt. Må ikke bruges inden for en afstand af 0,76 meter fra alle former for vand såsom svømmebassiner, badekar eller vask.
- Må ikke skilles ad. Dette sikrer, at elektrisk stød undgås. Service må kun udføres af kvalificeret personale.
- Skub aldrig objekter for nogen slags, andet end autoriserede dele, ind i produktet, da disse kan berøre farlige strømpunkter eller kortslutte dele, hvilket kan resultere i brand eller elektrisk stød.
- Stop straks brugen af denne enhed, hvis du begynder at føle dig træt, eller hvis du oplever ubehag eller smerter i dine hænder og/eller arme under brug af enheden. Hvis tilstanden vedvarer, skal du kontakte en læge.
- Undgå at betøge enheden med andet end dine hænder. Enheden må ikke komme i kontakt med dit hoved, ansigt eller i nærheden af knogler på andre dele af kroppen.
- Undgå langvarig brug af denne enhed. Hold pauser hver 30. minutter.
- Misbrug af batterier i denne enhed kan forårsage, at batterierne lækker og/eller eksploder, og føre til personskade.
- Dette produkt indeholder smådele, som kan forårsage kvælning ved slugning. Ikke beregnet til børn under 3 år.

### ADVARSEL - KRAMPANFALD

Visse personer kan få krampeanfald eller besvime som følge af de blinkende lys på fjernsyn eller videospil, selvom de aldrig før har haft et krampeanfald. Enhver person, som har haft et krampeanfald, tab af bevidsthed eller oplevet andet symptom forbundet med epilepsi, skal kontakte en læge inden han forlader sin spiller et videospil. Forældre skal være opmærksomme, når deres børn spiller videospil og observere dem jævnligt. Stop med at spille og kontakt en læge, hvis du eller dit barn har nogen af følgende symptomer:

Krampeanfald

Tab af bevidsthed

Ufrivillige bevægelser

Øje- eller muskeltrækninger

Ændret syn

Desorientering

### NÅR DU SPILLER VIDEO SPIL:

1. Sid eller stå så langt fra skærmen som muligt.
2. Spil videospil på den mindst tilgængelig skærm.
3. Undgå at spille, hvis du er træt eller behøver hvile.
4. Spil i en veloplyst rum.
5. Tag en pause på 15-minutter hver time.

### ADVARSEL - SKADER SOM FØLGE AF GENTAGNE BEVÆGELSER

Når du spiller videospil (og foretager dig de forbundne gentagne bevægelser) kan det medføre smerter i muskler, led eller hud. Hvis du spiller videospil i moderate mængder, undgår du disse skader. Desuden:

- Tag en pause på 10-15 minutter hver time, selvom du ikke mener, du har behov for det.
- Hvis dine hænder, håndled eller arme begynder at gøre ondt eller føles amme, skal du stoppe med at spille og hvile dem i adskillige timer, før du spiller igen. Hvis smerten og amheden fortsætter, skal du stoppe med at spille og opsøge en læge.

### EU-OVERENSSTEMMELSESEKLÆRING

Produkt No.: 37511

Trimnavn: Rock Band 3 trådløse PRO-Drum og PRO-Cymbals Kit



#### EU-OVERENSSTEMMELSEERKLÄRING

Som det er påkrævet, er visse af disse kontrollere blevet kontrolleret og opfylder EU-direktiverne 1999/5/EC og 2004/108/EC. Godkendt underskriver fra producenten er Mad Catz, Inc., 7480 Mission Valley Road, Suite 101, San Diego, CA 92108.

Controllere designet af:

Harmonix Music Systems Inc.  
625 Massachusetts Avenue  
Cambridge, MA 02139  
United States of America

Controllere produceret af:

Mad Catz, Inc.  
7480 Mission Valley Road, Suite 101  
San Diego, CA 92108  
United States of America

Produkt No. 97911 06/10

## SVENSK Rock Band 3 Trådløse PRO-Drum og PRO-Cymbals-Kit di till PlayStation 3

### VIKTIGT

Läs bruksanvisningen till PlayStation 3-konsolen för säkerhets- och hälsoinformation och andra anvisningar angående korrekt användning av PlayStation 3-konsolen innan du använder Rock Band 3 ("mjukvaran") eller trumman, gitarren, keyboardet och/eller mikrofonen som är avsedda för användning med mjukvaran (var och en, en "kontroller") med PlayStation 3-konsolen. För att underlätta, syftar termen "spel" kollektivt på mjukvaran och vilken som helst av kontrollerna.

Alla frågor angående PlayStation 3-konsolen bör ställas till tillverkaren.

**WARNING:** ALLA säkerhetsvarningar och -anvisningar bör efterföljas. Varje förändring eller modifiering som görs av spelet eller Wii-konsolen utan uttryckligt godkännande av Mad Catz, Harmonix Music Systems, Inc. eller Wii-konsolen-tillverkaren kan upphäva användarens rätt att använda spelet och upphäver alla spel- och maskinvarugarantier. Varken Mad Catz eller Harmonix Music Systems, Inc. eller dess respektive filialbolag och licensgivare/licensinnehavare kommer att hållas ansvarig för skador vid felaktig användning av denna Rock Band controller.

**WARNING:** BARN UNDER 36 MÅNADER FÅR INTE ANVÄNDA ELLER SPELA SPELET. Kontroller måste alltid hållas utom räckhåll för barn. Kontroller är endast avsedda och lämpliga för vuxna och, om de är under noggrann vuxen uppsikt, barn över 12 år.

**WARNING:** Kontroller måste hanteras och användas varsamt för att undvika skada. Kontroller bör endast användas där det finns tillräckligt utrymme för att undvika personskada (genom kontakt med andra kontrollar eller spelare) eller skadogörelse (inklusive personlig egendom). Varken Mad Catz eller MTV Games kommer att hållas ansvarig för skador vid felaktig användning av denna Rock Band controller

Viktig information om säkerhet och korrekt skötsel och användning av kontrollerna:

- Kontrollerna får inte modifieras, monteras ned eller öppnas.
- Utsätt inte kontrollerna för extrema förhållanden, som t.ex. direkt solljus eller för hög fuktighet.
- Kontrollerna får inte komma i kontakt med vätskor.
- Om rengöring är nödvändigt, bör en torr duk användas för att rengöra det drabbade området. Använd aldrig kemikalier.
- Om kontrollerna orsakar störningar i radio- eller tv-mottagning, (dessa kan kontrolleras genom av- och påslagning av kontrollerna), kan problemet lösas på ett eller flera av följande sätt:

(1) Ändra riktning eller placering av kontrollernas mottagarantenn, om möjligt; och/eller

(2) öka avståndet mellan kontrollerna och spelkonsolen.

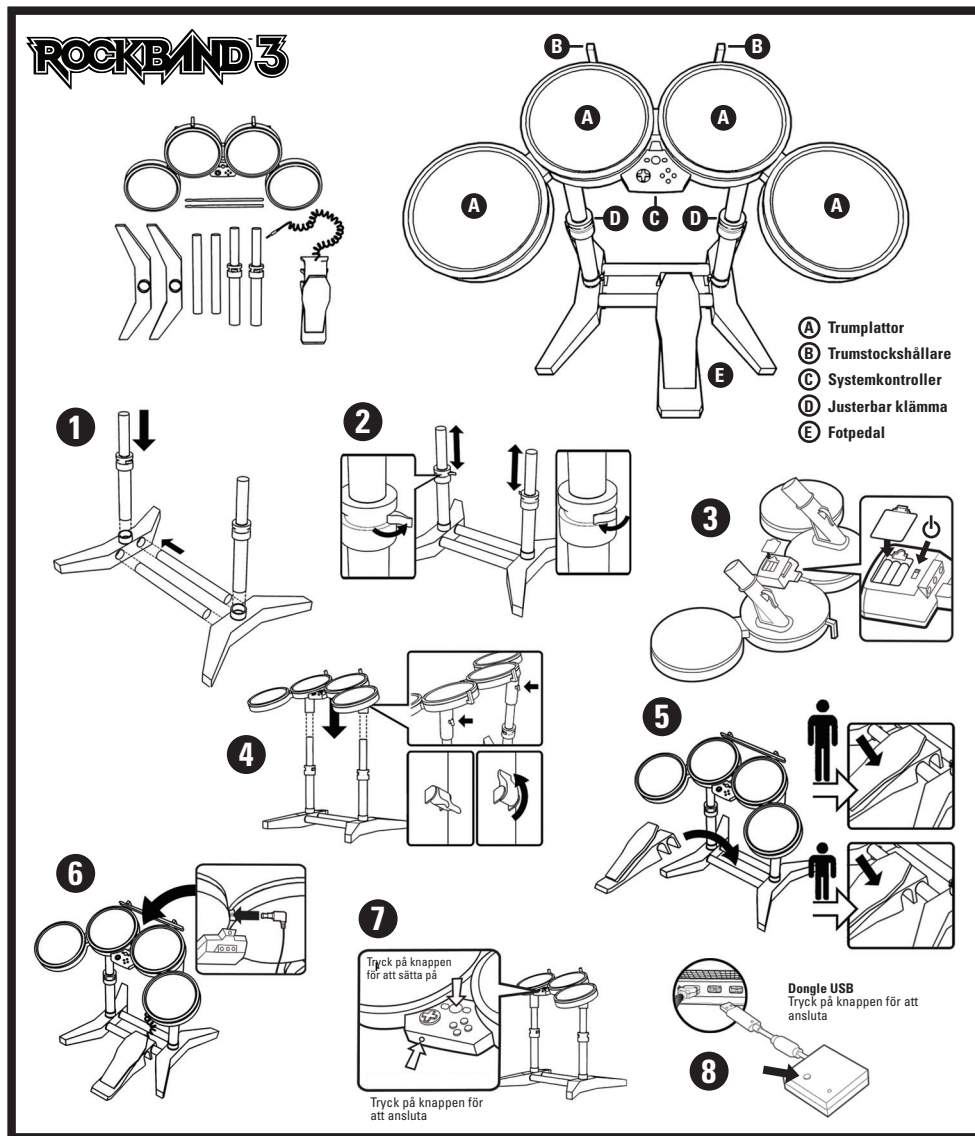
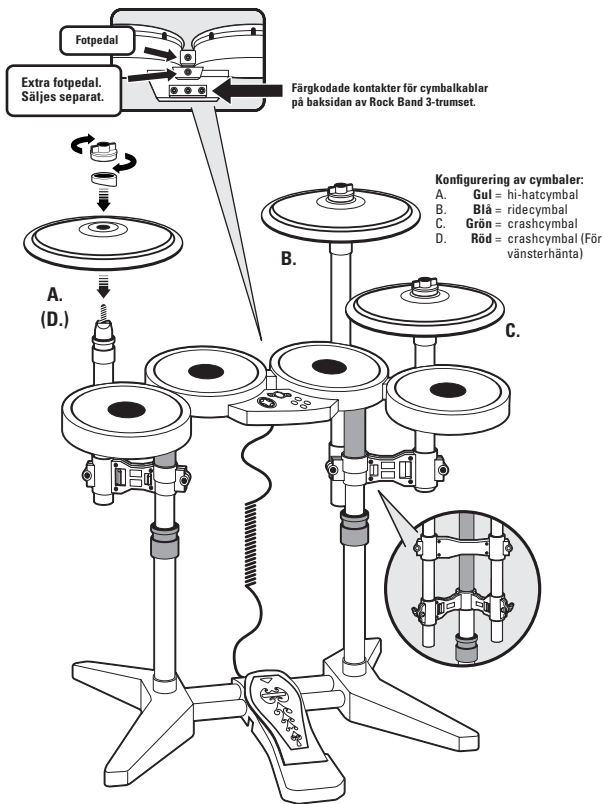


Fig. 1

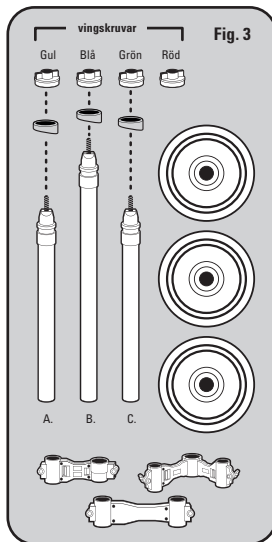
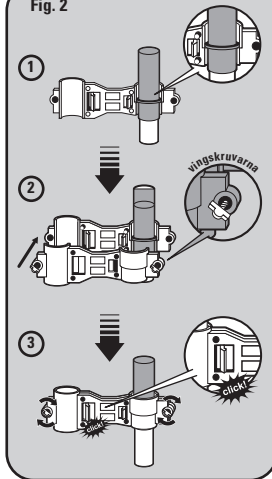
**Allmänna inställningar**

1. Montering av inre gripklämma kring stöd för ram på trummen. (Fig. 2)
2. Spänn vingskruvarna för att klämma åt kring trumsetets benklämma.
3. Klämmorna klickas snabbt och enkelt in i rätt läge.
4. Stick in metallstängerna och justera höjden. (Fig. 1)
5. Spänn vingskruvarna till metallstängerna. (Fig. 2)
6. Montera cymbalerna på metallstängerna enligt din cymbalkonfiguration.
7. Skruva på vingmuttrarna och se till att färgen blir rätt (spänn inte muttern helt om du vill att cymbalen ska luta framåt).
8. Lossa på vingskruvarna som håller fast metallstängerna och vrid stängerna så att cymbalens placering passar din spelstil.
9. Spänn vingskruvarna som håller fast metallstängerna igen.
- 9A. (Valfritt) Lossa vingskruvarna kring trumsetets ben för att vrida och justera metallstolparna till trumplattorna, och spänn därefter skruvarna igen.
10. Anslut cymbalernas kablar till trumsetet. Matcha cymbalfärgerna med rätt kabelgång.

TIPS: Vira cymbalkablarna kring metallstängerna så att du slipper ha dem hängandes lösa.

Färgkodade vingskruvar gör att du kan anpassa cymbalerna efter din egen spelstil.

Fig. 2

**VANLIGA FRÅGOR****FRÅGA: Vad gör jag om mina trummor inte fungerar som de ska?**

**SVAR:** Det finns flera anledningar till varför trumsetet kan ge dig problem när du spelar. Det kan vara problem med trumpedalen, trumsetet, eller själva konsolen. Följ stegen för felsökning nedan:

1. Sätt i dongeln i konsolens USB-port. Vänta tills dongelns lysdiöd blinkar rött. Tryck och släpp dongelns sync-knapp. Tryck och släpp trumsetets kontrollanslutningsknapp (sync). När den är ansluten, kommer dongelns lysdiöd att lysa utan att blinka och ett spelnummer tilldelas trumset kontrollen. Ta bort dongeln från PlayStation 3-konsolen när du har spelat klart.
2. Kontrollera att baskaggepedalens kontakt sitter i uttaget på trumsetets baksida.
3. Kontrollera att USB-dongeln är ansluten till systemet.
4. Prova trumsetet igen.

Om detta inte fungerar, testa spelet med trummorna anslutna till var och en av konsolens kontrollerportar.

**Om trummorna inte fungerar:**

Är det något fel med setet eller själva pedalen. Byt ut den felande delen genom vår Mad Catz garantiprocess.

**FRÅGA: Hur ska jag sköta mina trummor?**

**SVAR:** Var extra noga med att undvika att dina trumplattor skadas. Precis som med en riktig trumma kan för mycket kraft mot plattan under en längre tid åstadkomma slit- och sprickskador. Eftersom det även finns elektroniska komponenter inblandade, riskerar du att även att skada sensorer och annan utrustning. Du bör dessutom aldrig lyfta trumsetet genom att hålla i plattorna eftersom de inte är till för att bära setets vikt på det viset. Slutligen, när du spelar bör du komma ihåg att de inte är riktiga trummor. De är spelkontroller och du behöver inte slå på dem som om du ville att en hel stadium skulle höra dig. Det är faktiskt bättre att slå lätt och i mitten av plattan för att hjälpa ditt slagregister. Samma sak gäller också trumpedalens! Tänk på fjädern och hur du placerar foten för att utnyttja stödpunkten och förhindra slitage.

**FRÅGA: Hur kan jag hindra mitt trumset från att glida omkring?**

**SVAR:** Försök komma närmare pedalen. Det rör sig mindre om du bara trycker ner fotdynan, istället för hela foten som när du trycker en gaspedal i botten. Placera något tungt bakom trumsetet.

**FRÅGA: Vad gör jag om jag inte får plats med trumsetet framför TV:n?**

**SVAR:** Använd vardagsrumsbordet. Placera trumplattorna direkt på fötterna (utan benen). Ställ sedan setet på vardagsrumsbordet. Baskaggepedalen hamnar på golvet under vardagsrumsbordet. Du kan behöva använda något tungt som stöd mot pedalen.

**FRÅGA: Cymbalerna i Cymbalsetet till Rock Band 3 Trådlösa PRO-Drum och PRO-Cymbals-Kit till PlayStation 3 sitter väldigt löst. Hur kan jag fixa det?**

**SVAR:** Övanpå varje cymbal sitter det en vingmutter som kan spännas om man vill att den ska sitta fast hårdare. Ju hårdare spänd muttern är, desto mindre kommer varje cymbal att röra sig och vice versa.

**FRÅGA: Kommer mina trummor att ta skada om jag blandar ihop färgerna på Cymbalsetet till Rock Band 3 Trådlösa PRO-Drum och PRO-Cymbals-Kit?**

**SVAR:** Nej. Färgerna är tänkta som en vägledning för att visa vilka färger som motsvarar de olika cymbalerna.

**FRÅGA: Vilket område på cymbalerna ska jag slå på för att de ska fungera?**

**SVAR:** De bästa områdena är i mitten av gummiområdet på cymbalen för en rideeffekt och kanten av cymbalen för encrasheffekt som genererar ett högre ljud.

**FRÅGA: Kan jag slå på området i hårdplast på cymbalerna?**

**SVAR:** Det här är inget vi rekommenderar då det kan skada cymbalerna.

För service under garantin, returnera INTE spelet eller en del av spelet (inklusive Rock Band 3 Trådlösa PRO-Drum och PRO-Cymbals-Kit) till en återförsäljare, även om det var där du ursprungligen köpte den. Återförsäljare är INTE med i vårt auktoriserade garantisupportprogram. I det osannolika fall att du stöter på problem med någon del av spelet, besök [www.madcatz.com](http://www.madcatz.com). Denna webbsida innehåller detaljerade anvisningar om hur man kan dra nytta av vårt garantisupportprogram.

Om du är boende i Australien eller Nya Zeeland, gäller vissa undantag från denna garanti, inklusive undantag från klausuler, villkor, garantier och villkor som fastställs här eller innefattas av förordningar, allmän lagstiftning eller handelskylut, förutom för ett "icke-exkluderbart villkor" eftersom den termen definieras nedan och tolkas under Australiens lag om handelspraxis (Australian Trade Practices Act) 1974 ("TPA") eller, för kunder i Nya Zeeland, Nya Zeelands konsumentlag (The New Zealand Consumer Guarantees Act) 1993 ("CGA"). Förutom den förpliktelse som fordras av lagar och bestämmelser i anslutning med icke-exkluderbara villkor, friskrivs och undantas härmed vår förpliktelse till dig oavsett om det anser avtal eller skadestånd, inklusive försumlighet, eller annat i anslutning med kontrollern eller vår överenskomst. I detta syfte betyder "icke-exkluderbart villkor" den inbegripna garanti, villkor eller ansvar vars undantagande överträder, i de australienska konsumenternas fall, TPA eller, i de nya zeeländska konsumenternas fall, CGA eller i bägge fallen, orsakar helt eller delvis upphävande av undantag eller begränsning av förpliktelse eller ersättning. Överträdande av det icke-exkluderande villkoret (annat än det som innefattas av sektion 69 i TPA i Australien), begränsar din ersättning och vi begränsar, på eget bevåg, vår förpliktelse till att antingen återställa, ersätta eller reparera kontrollern eller, på eget bevåg, betala kostnaden för att göra något av detta.

Du kan ha vissa rättigheter som konsument med avseende på inköpstället eller återförsäljaren där du köpte denna kontroll. Undantagen, begränsningarna, klausulerna och villkoren som fastställs här påverkar eller ändrar inte de eventuella rättigheter du har enligt den lagstiftning som gäller för ditt/dina avtal med sådana inköpställen eller återförsäljare.

**FRISKRIVNING FRÅN ANDRA GARANTIER/ERSÄTTNINGAR:**

Om spelet eller någon av dess delar skadas genom modifiering, missbruk, olämplig eller felaktig användning, försurmelse eller olycka, ogiltigförklarar och upphävs tillämplig garanti och du bör följa anvisningarna som gäller för returnering efter garantiprosedern.

MED UNDANTAG AV DE BEGRÄNSADE GARANTIER SOM UTTRYCKLIGEN FASTSTÄLLS OVAN OCH/ELLER I DEN UTSTRÄCKNING SÄRSKILDA GARANTIER ELLER RÄTTIGHETER INTE KAN FRISKRIVAS ELLER BEGRÄNSAS PÅ GRUND AV DE LAGAR OCH BESTÄMMELSER DÄR DU BOR, FRISKRIVER SIG MAD CATZ OCH DESS LICENSIVIVARE HÄRMEDE ALLA GARANTIER, MUNTliga ELLER SKRIFTLIGA,

UTTRYCKLIGEN ELLER UNDERFÖRSTÄDDA, INKLUSIVE EVENTUELLA GARANTIER FÖR SÄLJBARHET ELLER LÄMPLIGHET FÖR SÄRSKILT SYFTE. INGET ANNAT BEFULLMÄKTIGANDE ELLER GARANTI AV NÅGOT SLAG ÄR BINDANDE ELLER FÖRPLIKTIGANDE FÖR MAD CATZ ELLER DESS LICENSGIVARE.

GARANTIER SOM UPPGES HÄRI ERBJUDDS ENDAST AV MAD CATZ, OCH INTE AV HARMONIX MUSIC SYSTEMS, INC. ELLER DESS FILIALBOLAG OCH LICENSGIVARE/LICENSINNEHAVARE.

Om någon av dessa garantier inte kan friskrivas på grund av särskilda lagar som gäller dig, ska de garantier som gäller för spelet begränsas till den garantiperiod som beskrivs ovan och är gällande för dig. Under inga omständigheter kommer Mad Catz, Harmonix Music Systems, Inc. eller dess respektive filialbolag och licensgivare/licensinnehavare eller någon av deras licensgivare hållas ansvariga för speciella, tillfälliga, indirekta eller betydande skador till följd av innehav, användning eller felaktig funktion av spelet, inklusive, utan begränsning, kontroller, mjukvara eller andra delar av spelet, inklusive skada på egendom, och till den utsträckning som tillåts av lagstiftning, personskada, även vid förutsäbarhet eller om Mad Catz, Harmonix Music Systems, Inc. eller dess respektive filialbolag och licensgivare/licensinnehavare har underrättats om att sådan skada kan uppstå.

NÅGRA JURISDIKTIONER TILLÅTER INTE VISSA BEGRÄNSNINGAR AV UNDANTAG, SÅ OVANSTÄNDE BEGRÄNSNINGAR OCH/ELLER UNDANTAG KANSKE INTE GÄLLER DIG. I ALLA JURISDIKTIONER SKA MAD CATZ, HARMONIX MUSIC SYSTEMS, INC. OCH/ELLER DESS RESPEKTIVE FILIALBOLAG OCH LICENSGIVARE/LICENSINNEHAVARE ANSVAR BEGRÄNSAS OCH UNDANTAGEN TOLKAS SÅ ATT DE I STÖRSTA MÖJLIGA STÖRSTA UTSTRÄCKNING TILLÄMPAS ENLIGT VAD LAGEN TILLÅTER.

**VIKTIG INFORMATION OM BATTERIER FÖR TRÄDLÖSA KONTROLLER:**

- Använd endast nya alkaliska standard AA-batterier.
- Byt ut alla utslitna batterier samtidigt och med samma sorts batterier.
- Kontrollera att du sätter i de nya batterierna på rätt sätt så att de passar med + och – så som visas i bruksanvisningen och kontrollernas batterifack. Sätt aldrig i batterierna baklänges.
- Om du vet att du inte ska använda kontrollern under en längre tid, rekommenderar vi att du tar ur batterierna.
- Kombinera inte gamla och nya eller olika sorters batterier.
- Ta ur utslitna batterier från kontrollern.
- Strömförsörjningen får inte kortslutas.

**KORREKT FÖRVARING OCH KASSERING AV BATTERIER OCH ELEKTRISKT/ELEKTRONISKT MATERIAL**

- Batterier kan explodera, läcka eller orsaka brännskador om de laddas, kasseras i eld, kombineras med en annan batterisort, sätts i baklänges eller öppnas.
- Förvara, lägg eller kasta aldrig batterier i öppen eld eller på en uppvärmd plats.
- Förvara inte batterier i din ficka eller handväska.
- Ta inte bort batterietiketten.
- Kontrollera din lokala lagstiftning, kontakta behöriga myndigheter eller se om det finns uppteckningar över speciella anvisningar eller krav angående kassering av batterier där du bor. För återup pladdningsbara eller andra typer av batterier bör tillverkaren förse dig med lämpliga kasseringsanvisningar och du bör alltid läsa och följa tillverkarens anvisningar för att undvika skada och för att efterfölja miljöskyddslagarna.
- Det finns studier som uppmärksammat de potentiella hälsorisker som elektrisk och elektronisk utrustning och dess farliga innehåll kan orsaka. Konsultera alltid din hälsovårdspersonal som kan ge dig råd angående dina hälsobehov i samband med användning av kontrollern, batterier eller andra delar av spelet.
- Konsumenten spelar en viktig roll i återvinningen. Den överkryssade soptunnan betyder att elektrisk och elektronisk utrustning, inklusive batterier inte får kasseras som kommunalt avfall eller hushållsopor. Hantera kassering eller återvinning separat och på rätt sätt.

#### ⚠ FÖRSIKTIGHETSÅTGÄRDER ⚠

- Använd endast denna enhet såsom är avsett.
- För att förhindra fara för brand eller elstöt, utsätt inte denna enhet för regn eller fukt. Använd inte inom 30 fot från något som helst vatten såsom simbassänger, badkar, eller handfat.
- För att undvika elstöt, montera inte ner. Låt endast behörig personal utföra service.
- Tryck aldrig in några som helst föremål, andra än tillåtna föremål, i produkten då dessa kan vidröra farliga spänningspunkter eller kortsluta delar vilket skulle kunna leda till brand eller elstöt.
- Sluta omedelbart använda denna enhet om du börjar känna dig trött eller om du upplever obehag eller smärta i dina händer och/eller armar medan du använder enheten. Om tillståndet kvarstår, rådfråga en läkare.
- Försök inte använda enheten på något som helst sätt annat än med dina händer. För inte enheten i kontakt med ditt huvud, ansikte, eller nära skellet i någon annan del av din kropp.
- Undvik långvarigt bruk av denna enhet. Ta rast var 30:e minut.
- En felaktig användning av batterier i denna enhet kan orsaka att batterierna läcker och/eller exploderar och leda till personskada.
- Denna produkt innehåller små delar vilka kan orsaka kvävning om de sväljs. Inte avsedd för barn under 3 års ålder.

**VARNING - ANFALL**

Hos vissa personer kan de blinkande ljusen på tv:n eller i videospel utlösa anfall eller blackout, även om de aldrig tidigare har fått något anfall.

Alla som har drabbats av ett anfall, förlust av medvetandet eller annat symptom knutet till en epileptisk sjukdom bör rådfråga en läkare innan han/hon spelar ett videospel.

Föräldrar bör vara medvetna om då deras barn spelar videospel och regelbundet titta till dem. Sluta spela eller kontakta en läkare om du eller ditt barn har något av följande symptom:

Krampanfall

Förlust av medvetandet

Ofrivilliga rörelser

Ögon- eller muskelryckningar

Försämdad syn

Förvirring

**DÅ DU SPELAR VIDEOPEL:**

- Sitt eller stå så långt bort från skärmen som möjligt.
- Spela videospel på minsta tillgängliga skärm.
- Spela inte om du är trött eller behöver vila.
- Spela i ett väl upplyst rum.
- Ta en rast på 15 minuter varje timme.

**VARNING - FÖRSLITNINGSSKADOR**

Att spela videospel (och den upprepande rörelse som är inblandad) kan leda till smärtor i dina muskler, leder eller din hud. Att spela videospel med mätta kan bidra till att förhindra sådana skador.

Dessutom:

- Ta en rast på 10 till 15 minuter varje timme, även om du inte tycker att du behöver det.
- Om dina händer, handleder eller armar börjar göra ont eller känns ömma eller trötta ska du sluta spela och vila dem under flera timmar innan du spelar igen.
- Om smärta och ömhet kvarstår ska du sluta spela och uppsöka läkare.

**EG-FÖRSÄKRAN OM ÖVERENSSTÄMMELSE**

**Produkt No.: 97911**

**Handelsnamn: Rock Band 3 Trådlösa PRO-Drum och PRO-Cymbals-Kit**

**EG-FÖRSÄKRAN OM ÖVERENSSTÄMMELSE**

Efter behov har ett antal av dessa kontroller testats och anpassats enligt kraven i EU-direktiv 1999/5/EC och 2004/108/EC. Firmatecknare för tillverkaren är Mad Catz, Inc., 7480 Mission Valley Road, Suite 101, San Diego, CA 92108.

Kontroller designade av:	Kontroller tillverkade av:
<b>Harmonix Music Systems Inc.</b> <b>625 Massachusetts Avenue</b> <b>Cambridge, MA 02139</b> <b>United States of America</b>	<b>Mad Catz, Inc.</b> <b>7480 Mission Valley Road, Suite 101</b> <b>San Diego, CA 92108</b> <b>United States of America</b>

Produkt No. 97911 06/10

## PORTUGUÊS Conjunto Sem Fios PRO-Drum e PRO-Cymbals de Rock Band 3 para PlayStation 3

**IMPORTANTE**

**Antes de usar o Rock Band 3 (o "software") ou a bateria, a guitarra, o teclado e/ou o microfone destinados à utilização com o software (sendo cada elemento um "controlador") com o Consola PlayStation 3, leia o manual de instruções do Consola PlayStation 3 para obter informações relacionadas com segurança, saúde e utilização correcta do Consola PlayStation 3, entre outras. Para facilitar a referência, o termo "jogo" refere-se colectivamente ao software e a todo e qualquer controlador.**

Todas as questões relativas ao Consola PlayStation 3 devem ser dirigidas ao fabricante.

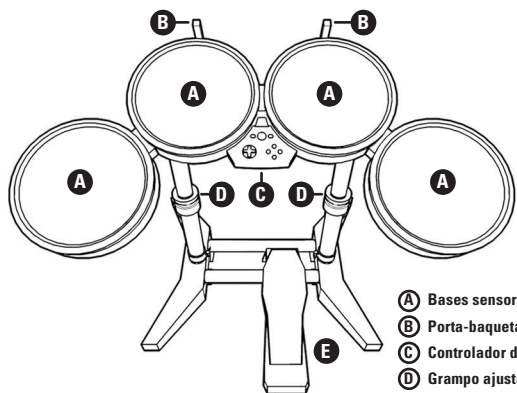
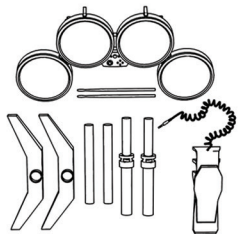
**ATENÇÃO:** Respeite TODOS os avisos e instruções de segurança. Quaisquer alterações ou modificações ao jogo ou ao Consola PlayStation 3 que não tenham sido expressamente aprovadas pela Mad Catz, pela Harmonix Music Systems, Inc. ou pelo respectivo fabricante do Consola PlayStation 3 podem anular a autoridade do utilizador para utilizar e jogar o jogo e anulam todas as garantias relativas ao jogo e ao hardware. Nem a Mad Catz nem Harmonix Music Systems, Inc. ou os respectivos afiliados e licenciadores/licenciados serão considerados responsáveis por quaisquer ferimentos ou danos resultantes da utilização imprópria ou não autorizada deste jogo.

**AVISO:** O JOGO NÃO DEVE SER USADO NEM JOGADO POR CRIANÇAS COM MENOS DE 36 MESES DE IDADE. Os controladores devem ser sempre mantidos fora do alcance de crianças pequenas. Os controladores são adequados e destinados apenas à utilização por adultos e, sob rigorosa vigilância de um adulto, por crianças com pelo menos 12 anos de idade.

**ATENÇÃO:** Por favor, certifique-se de jogadores que usam esse Rock Band Controller tem espaço suficiente para evitar outros serem atingidos com a Controlador ou por outros jogadores. Esta Rock Band Controller deve ser utilizado com cuidado para evitar lesões. Nem Mad Catz nem Harmonix Music Systems, Inc. ou os respectivos afiliados e licenciadores/licenciados será responsabilizado por danos decorrentes do uso indevido deste Rock Band Controller.

**Informações importantes sobre Segurança e Manutenção adequada e operações dos controladores:**

- Não modifique, não desmonte nem tente abrir qualquer controlador.
- Não exponha qualquer controlador a condições extremas, incluindo luz solar directa ou humidade excessiva.
- Não exponha qualquer controlador a líquidos.
- Se for necessário proceder à limpeza, use um pano seco para limpar a área afectada. Nunca use produtos químicos.
- Se um controlador provocar interferências na recepção de rádio ou televisão, (este facto pode determinar-se desligando e ligando o controlador), o utilizador pode tentar corrigir a interferência recorrendo a uma ou mais das seguintes medidas:
  - reorientar ou mudar a localização da antena de recepção do controlador, se aplicável; e/ou
  - aumentar o espaço entre o controlador e a consola de jogo.



- A Bases sensoras
- B Porta-baqueta
- C Controlador do sistema
- D Grampo ajustável
- E Pedal

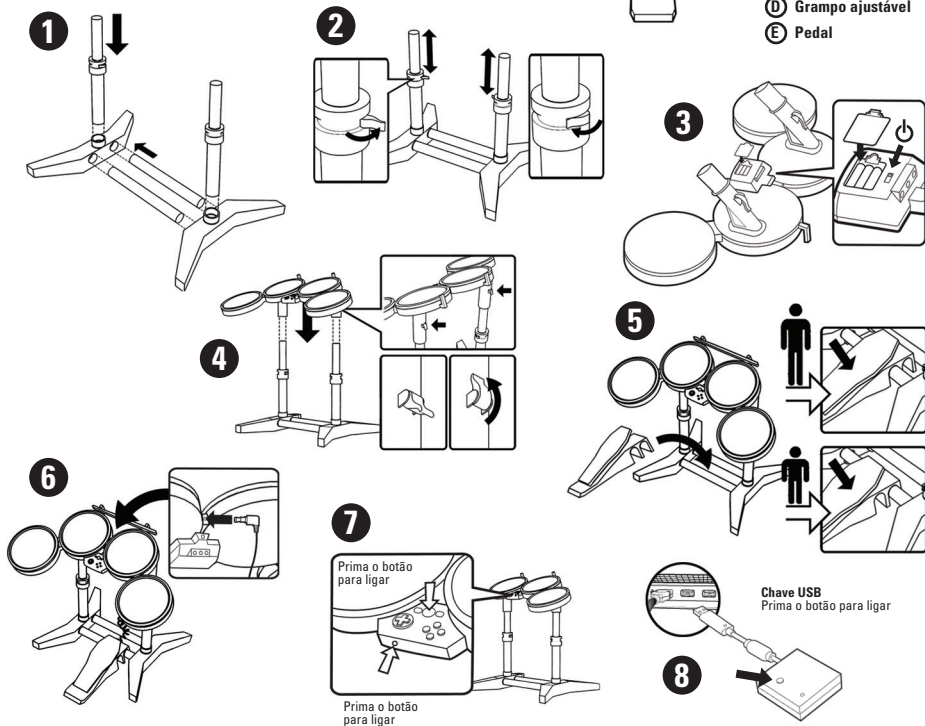
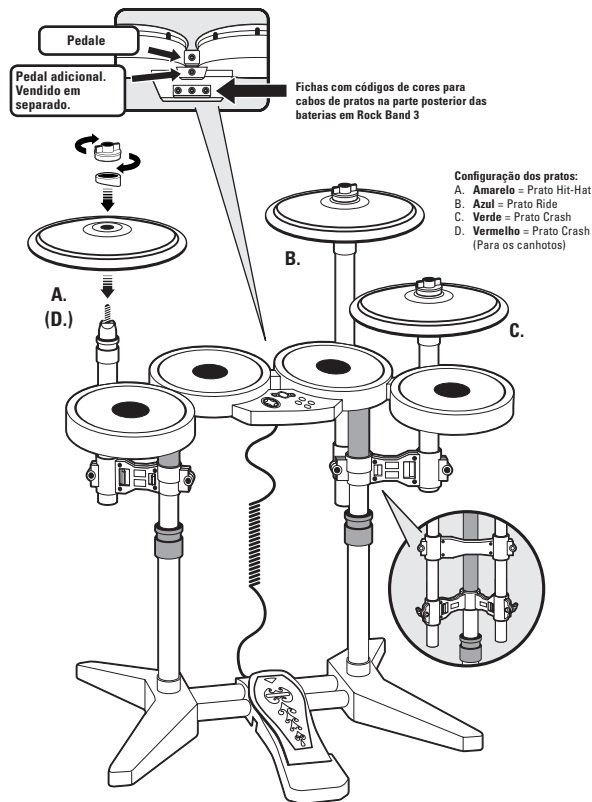


Fig. 1

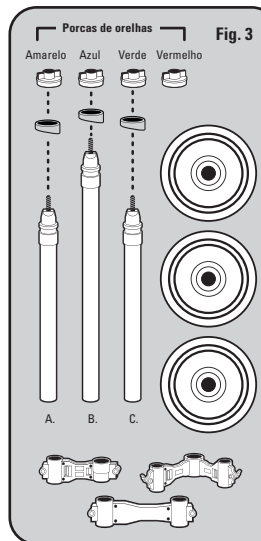
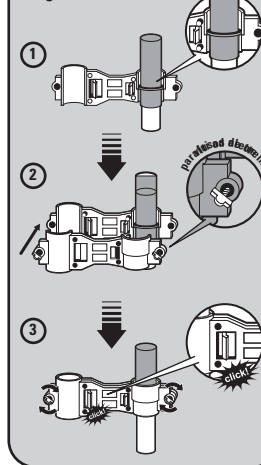


- Configuração geral**
1. Grampo interior de bloqueio em torno do apoio do arô na unidade dos pés da bateria. (Fig. 2)
  2. Apertar os parafusos de orelha para prender ao grampo dos pés da bateria.
  3. Grampões de abertura rápida encaixam com segurança no seu lugar.
  4. Introduzir hastes de metal e ajustar a altura. (Fig. 1)
  5. Apertar os parafusos de orelhas das hastes de metal. (Fig. 2)
  6. Adicionar o prato à haste com base na configuração do prato.
  7. Enroscar uma porca de orelhas adequada (não apertar totalmente se quiser que o prato se incline para a frente).
  8. Soltar os parafusos de orelhas que seguram a haste de metal e rodar a haste de modo a que o prato fique voltado consoante o seu estilo de tocar.
  9. Reapertar o parafuso de orelhas que segura a haste de metal.
  - 9A. (Opcional) Soltar os parafusos de orelhas em torno dos pés da bateria para rodar e ajustar a posição das hastes de metal aos tambores e reapertar os parafusos.
  10. Ligar os cabos dos pratos à bateria. Fazer corresponder a cor do prato à ficha do cabo.

DICA: Enrole os cabos dos pratos em torno das hastes de metal para gerir melhor os cabos.

Porcas de orelhas com códigos de cor permitem atribuir os pratos ao estilo preferido de jogo.

Fig. 2





## PERGUNTAS FREQUENTES

**PERGUNTA: O que devo fazer se a minha bateria não funcionar correctamente?**

**RESPOSTA:** São vários os factores que podem estar na origem de problemas da bateria que afectam a sua experiência de jogo. Podem ser problemas com o pedal da bateria, a bateria ou a própria consola. Siga os passos de resolução de problemas abaixo:

1. Insira o dispositivo na porta USB da consola. Espere que o LED do dispositivo pisque a vermelho. Prima e solte o botão de sincronização no dispositivo. Prima e solte o botão de ligação do controlador (sincronização) da bateria. Depois de ligado, o LED do dispositivo permanecerá fixo e um número de jogador será atribuído ao controlador da bateria. No fim da sessão de jogo, retire o dispositivo da consola PlayStation 3.
2. Certifique-se de que a ficha para o pedal está fixa na tomada na parte posterior do conjunto de bateria.
3. Certifique-se de que a chave USB está ligada ao sistema.
4. Experimente novamente o conjunto de bateria.

No caso de isso não resolver o problema, experimente o jogo com a bateria ligada a cada uma das portas de controlador da consola.

**Se a bateria não funciona:**

Há um problema com a bateria ou o próprio pedal. Troque o item defeituoso através do nosso serviço de garantia Mad Catz.

**PERGUNTA: Como devo cuidar da minha bateria?**

**RESPOSTA:** Deve redobrar os cuidados para evitar danos nas bases sensoras. Tal como sucede com uma bateria verdadeira, demasiada força aplicada na base pode, ao longo do tempo, rasgar ou partir o material; uma vez que há componentes electrónicos envolvidos, também corre o risco de danificar os sensores e outro equipamento. Além disso, nunca deve levantar a bateria pelas bases, pois não está concebidas para suportar o peso da bateria dessa forma. Finalmente, quando tocar lembre-se de que esta não é uma bateria a sério, mas sim um controlador de jogo, pelo que não deve utilizar a mesma força de batida necessária para se fazer ouvir em toda a arena. Com efeito, uma batida mais ligeira e no centro da base pode ajudar a registar as suas batidas. Isso também é válido para o pedal da bateria! Esteja atento à mola e coloque o seu pé para tirar partido desse ponto de apoio a fim de impedir o desgaste.

**PERGUNTA: Como faço para impedir a minha bateria de deslizar?**

**RESPOSTA:** Experimente posicionar-se um pouco mais perto do pedal. A bateria move-se menos se carregar para baixo como quando bate com o pé no chão, em vez de empurrar para a frente como acontece quando se carrega no acelerador a fundo. Coloque algo pesado atrás da bateria.

**PERGUNTA: O que devo fazer se não tiver espaço em frente à TV para a bateria?**

**RESPOSTA:** Modo Mesa de café. Coloque as bases sensoras directamente nos pés da bateria (sem as pernas). Em seguida ponha o conjunto em cima da sua mesa de café. O pedal da bateria fica no chão por baixo da mesa de café. É aconselhável apertar o pedal contra algo pesado.

**PERGUNTA: Os pratos do kit de pratos Rock Band 3 estão muito largos, como posso resolver isto?**

**RESPOSTA:** Por cima de cada prato existe uma porca de orelhas que pode ser ajustada para uma tensão variada. Quanto mais apertada, menos movimentos terá cada prato e vice-versa.

**PERGUNTA: Misturar fios de cores erradas do kit de pratos da Conjunto Sem Fios PRO-Drum e PRO-Cymbals de Rock Band 3 danificará a minha bateria?**

**RESPOSTA:** Não. As cores servem como guia para mostrar que cores correspondem a que prato.

**PERGUNTA: Em que área dos pratos bato para que funcionem?**

**RESPOSTA:** A melhor localização é directamente no centro da área de borracha do prato para correr, e a extremidade do prato para chocar, o que produz uma pancada mais alta.

**PERGUNTA: Posso bater na área de plástico rígido dos pratos?**

**RESPOSTA:** Não é recomendado e pode danificá-los.

Para obter assistência ao abrigo da garantia, **NÃO** devolva o jogo ou qualquer parte do mesmo (incluindo o Conjunto Sem Fios PRO-Drum e PRO-Cymbals de Rock Band 3) a qualquer loja de venda a retalho, mesmo que esta seja o local onde o adquiriu originalmente. Os retalhistas **NÃO** fazem parte do nosso programa de assistência autorizada ao abrigo da garantia. Na improvável situação de encontrar um problema em qualquer parte do jogo, visite o website [www.madcatz.com](http://www.madcatz.com). Este website contém instruções detalhadas sobre como beneficiar do nosso programa de assistência ao abrigo da garantia.

Você compreende que os seus direitos enquanto consumidor podem variar de acordo com o local onde reside e com as leis e os regulamentos locais aplicáveis, e que alguns ou todos os seus direitos podem ser diferentes ou que alguns direitos ou porções da garantia podem não ser aplicáveis ao seu caso. Se tiver dúvidas ou questões relativamente aos seus direitos, deve consultar os seus próprios consultores ou grupos locais de apoio ao consumidor para determinar quais são as leis e os regulamentos aplicáveis ao seu caso.

Se residir na Austrália ou na Nova Zelândia, são aplicáveis algumas exclusões a esta garantia, incluindo exclusões de termos, condições, garantias e termos estabelecidos no presente ou implícitos por estatuto, legislação geral ou prática de comércio ou utilização, excepto qualquer "Condição não excluível" sendo esse termo definido abaixo e criado sob o Australian Trade Practices Act 1974 ("TPA") ou, no caso de consumidores na Nova Zelândia, o New Zealand Consumer Guarantees Act 1993 ("CGA"). Excepto para a responsabilidade imposta por lei ou regulamento em relação a qualquer Condição não excluível, a nossa responsabilidade perante si por qualquer acto ou omissão, quer este seja derivado de contracto ou incumprimento, incluindo negligência ou de outro modo esteja relacionado com o controlador ou com o nosso acordo é pelo presente exonerada e excluída. Para o efeito, "Condição não excluível" significa qualquer garantia ou condição implícita cuja exclusão, contrariaria, no caso dos consumidores na Austrália, o TPA ou, no caso dos consumidores na Nova Zelândia, o CGA ou que nalgum caso poderia causar a anulação de toda ou qualquer exclusão ou limitação de responsabilidade ou correcção. Por qualquer incumprimento de uma Condição não excluível (que não uma condição implícita através da Secção 69 do TPA na Austrália), as suas correcções estão limitadas e, segundo o que considerarmos adequado, a nossa responsabilidade está limitada ao novo fornecimento, substituição ou reparação do controlador ou, segundo o que considerarmos adequado, pagamento do custo destas operações.

Pode usufruir de determinados direitos enquanto consumidor relativamente ao estabelecimento onde adquiriu este controlador. As exclusões, restrições, termos e condições estabelecidos no presente documento não afectam nem alteram os direitos que lhe possam assistir ao abrigo da legislação aplicável às suas transacções com os referidos estabelecimentos.

**EXONERAÇÃO DE RESPONSABILIDADE DE OUTRAS GARANTIAS/CORRECÇÕES:**

Se o jogo ou alguma parte do mesmo estiverem danificados devido a modificação, utilização abusiva, utilização indevida, tratamento incorrecto, negligência ou acidente, qualquer garantia aplicável é considerada nula e sem efeito, sendo que você terá de seguir as instruções aplicáveis relativamente a devoluções após o período de garantia.

EXCEPTO PARA AS GARANTIAS LIMITADAS EXPRESSAS ACIMA INDICADAS E/OU ATÉ AO LIMITE EM QUE QUAISQUER GARANTIAS OU DIREITOS PARTICULARES NÃO POSSAM SER SUJEITOS A EXONERAÇÃO DE RESPONSABILIDADE OU LIMITADOS DEVIDO ÀS LEIS E REGULAMENTOS DO LOCAL ONDE RESIDE, A MAD CATZ E OS RESPECTIVOS LICENCIANTES PELO PRESENTE EXONERAM A RESPONSABILIDADE RELATIVAMENTE A TODAS AS GARANTIAS, SEJAM ELAS VERBAIS OU ESCRITAS, EXPRESSAS OU IMPLÍCITAS, INCLUINDO QUALQUER GARANTIA DE COMERCIALIZAÇÃO OU DE ADEQUABILIDADE A UM EFEITO EM PARTICULAR. NENHUMA OUTRA REPRESENTAÇÃO OU GARANTIA DE QUALQUER NATUREZA OU TIPO DEVE APLICAR-SE OU SER VINCULATIVA OU OBRIGAR A MAD CATZ OU OS RESPECTIVOS LICENCIANTES.

AS GARANTIAS AQUI MENCIONADAS SÃO APENAS FORNECIDAS PELA MAD CATZ E NÃO PELA HARMONIX MUSIC SYSTEMS, INC. OU QUALQUER DOS SEUS AFILIADOS E LICENCIADORES/LICENCIADOS.

Se qualquer garantia indicada no presente documento não puder ser sujeita a exoneração de responsabilidade devido às leis particulares que lhe são aplicáveis, então as garantias aplicáveis a este jogo limitam-se ao período de garantia descrito acima e que é aplicável ao seu caso. Em circunstância alguma a Mad Catz, a Harmonix Music Systems, Inc. ou os respectivos afiliados e licenciadores/licenciados poderão ser responsabilizados por danos especiais, accidentais, indirectos ou consequenciais resultantes da posse, utilização ou avaria do jogo, incluindo, sem limitação, qualquer controlador, software ou outra parte do jogo, incluindo danos de propriedade, e de acordo com o estabelecido por lei, ferimentos, mesmo que previsíveis ou se a Mad Catz, a Harmonix Music Systems, Inc. ou os respectivos afiliados e licenciadores/licenciados tiverem sido avisados relativamente à possibilidade de tais danos.

ALGUMAS JURISDIÇÕES NÃO PERMITEM DETERMINADAS LIMITAÇÕES DE EXCLUSÕES, POR ISSO AS LIMITAÇÕES E/OU EXCLUSÕES ACIMA INDICADAS PODEM NÃO SER APLICÁVEIS AO SEU CASO. EM TODA E QUALQUER JURISDIÇÃO, A RESPONSABILIDADE DA MAD CATZ, DA HARMONIX MUSIC SYSTEMS, INC. E/OU OS RESPECTIVOS AFILIADOS E LICENCIADORES/LICENCIADOS DEVERÁ SER LIMITADA E AS EXCLUSÕES DEVEM SER CONSTRUÍDAS PARA SE APLICAREM ATÉ À EXTENSÃO MÁXIMA PERMITIDA POR LEI.

**INFORMAÇÕES IMPORTANTES SOBRE BATERIAS PARA CONTROLADORES SEM FIOS:**

- Use apenas baterias AA alcalinas padrão novas.
- Substitua todas as baterias usadas ao mesmo tempo e pelo mesmo tipo de baterias.
- Certifique-se de que substitui as baterias correctamente, fazendo corresponder os sinais + e – conforme indicado no manual de instruções e no compartimento das baterias do controlador. Nunca insira as baterias ao contrário.
- Se sabe que não utilizará o controlador durante um período de tempo alargado, é recomendável retirar as baterias.
- Não misture baterias velhas com baterias novas ou diferentes tipos de baterias.
- Retire as baterias gastas do controlador.
- Os terminais de alimentação não devem ser sujeitos a curto-circuito.

**ARMAZENAMENTO E ELIMINAÇÃO CORRECTOS DE BATERIAS E MATERIAIS ELÉCTRICOS/ELECTRÓNICOS**

- As baterias podem explodir, apresentar fugas ou causar queimaduras se recarregadas, queimadas, misturadas com diferentes tipos de bateria, inseridas ao contrário ou desmontadas.
- Nunca armazene, coloque ou atire as baterias para uma chama ou local aquecido
- Não transporte as baterias no bolso ou na carteira.
- Não retire a etiqueta das baterias.
- Consulte a legislação local, contacte as autoridades governamentais adequadas ou procure nas listas governamentais da sua área se existem instruções especiais para a eliminação de baterias ou requisitos aplicáveis no local onde vive. Para baterias recarregáveis ou outros tipos de baterias, o fabricante deve fornecer instruções de eliminação correcta, sendo que deve sempre lê-las e seguir as indicações do fabricante para evitar ferimentos e danos e para agir em conformidade com as leis e regulamentos de protecção da saúde, segurança e ambiente.
- Realizaram-se estudos que alguns consideram levantar questões sobre potenciais efeitos para a saúde por parte do equipamento eléctrico e electrónico e algumas substâncias perigosas que os mesmos podem conter. Consulte sempre profissionais de prestação de cuidados de saúde que o possam aconselhar relativamente às suas necessidades de cuidados de saúde no que diz respeito à utilização do controlador, das baterias ou de outras partes do jogo.
- Os consumidores têm um papel a desempenhar na reciclagem. O símbolo de caixote do lixo com um traço por cima indica que não deve eliminar o equipamento eléctrico/electrónico, incluindo baterias, como sendo lixo municipal ou doméstico. Trate da eliminação ou reciclagem destes resíduos separadamente e adequadamente.

**⚠ CUIDADOS ⚠**

- Utilize esta unidade apenas para os fins para que foi concebida.
- Para evitar riscos de incêndio ou de choques eléctricos, não exponha esta unidade à chuva ou à humidade. Não a utilize a uma distância inferior a 9,14 metros de locais com água, como piscinas, banheiras ou tanques.
- Não desmonte a unidade para evitar choques eléctricos. A manutenção apenas deverá ser realizada por pessoal qualificado.
- Nunca introduza no produto nenhum tipo de objectos, excepto os itens autorizados, pois estes podem tocar em pontos de tensão perigosos ou causar curto-circuitos em peças, provocando incêndios ou choques eléctricos.
- Se durante o uso da unidade começar a sentir-se cansado ou desconfortável ou notar dores nas mãos e/ou nos braços deverá interromper a sua utilização. Se a condição persistir, consulte um médico.
- Não tente utilizar a unidade de outro modo que não seja com as mãos. Não coloque a unidade em contacto com a cabeça, face ou perto dos ossos de qualquer outra parte do seu corpo.
- Evite a utilização prolongada desta unidade. Faça intervalos a cada 30 minutos.
- Uma má utilização das pilhas nesta unidade pode levar a que as pilhas vertam e/ou expludam causando ferimentos pessoais.
- Este produto contém peças pequenas que, se engolidas, podem causar asfixia. Não deve ser utilizado por crianças com idade inferior a 3 anos.

**AVISO - EPILEPSIA**

Algumas pessoas poderão sofrer crises epilépticas ou perda de consciência provocadas pelas luzes intermitentes na televisão ou em jogos de vídeo, mesmo que nunca tenham tido uma crise anteriormente.

Qualquer pessoa que tenha tido uma crise epiléptica, perda de consciência ou outros sintomas relacionados a uma condição epiléptica, deve consultar um médico antes de jogar um jogo de vídeo. Os pais devem saber quando os seus filhos estão a jogar jogos de vídeo e observá-los regularmente. Interrompa o jogo e consulte um médico se o seu filho tiver algum dos seguintes sintomas:

Convulsões  
Perda de consciência  
Movimentos involuntários  
Contracções oculares ou musculares  
Visão alterada ou desorientação

**QUANDO JOGAR OS JOGOS DE VÍDEO:**

1. Sente-se ou coloque-se o mais afastado possível do ecrã.
2. Jogue os jogos de vídeo no ecrã mais pequeno disponível.
3. Não jogue se estiver cansado ou necessitar de descansar.
4. Jogue numa sala bem iluminada.
5. Faça um intervalo de 15 minutos a cada hora.



#### LESÕES POR REPETIÇÃO DE MOVIMENTOS

Jogar jogos de vídeo (e o movimento repetido implicado) pode causar dor nos músculos, nas articulações ou na pele. Jogar jogos de vídeo com moderação pode evitar esse tipo de lesões.

Assim como:

- Faça intervalos de 10 a 15 minutos a cada hora, mesmo que pense que não precisa.
- Caso sinta as mãos, pulsos ou braços doridos ou cansados, descanse durante algumas horas antes de voltar a jogar.
- Se a dor persistir, pare de jogar e consulte um médico.

#### DECLARAÇÃO DE CONFORMIDADE DA UE

Produto No.: 97911

Nome Comercial: Conjunto Sem Fios PRO-Drum e PRO-Cymbals de Rock Band 3

#### DECLARAÇÃO DE CONFORMIDADE DA UE

Como estabelecido, alguns destes controladores foram testados e demonstraram estar em conformidade com os requisitos das Directivas da União Europeia 1999/5/CE e 2004/108/CE. O signatário autorizado do fabricante é a Mad Catz, Inc., 7480 Mission Valley Road, Suite 101, San Diego, CA 92108.

Controladores concebidos por:

Harmonix Music Systems Inc.  
625 Massachusetts Avenue  
Cambridge, MA 02139  
United States of America

Controladores fabricados por:

Mad Catz, Inc.  
7480 Mission Valley Road, Suite 101  
San Diego, CA 92108  
United States of America

Produto No. 97911 06/10