



# KITCHEN *Living*

1.1 cu. ft. stainless steel  
microwave oven

USER GUIDE



Now that you have purchased a Kitchen Living product you can rest assured in the knowledge that as well as your 1 year parts and labor guarantee you have the added peace of mind of dedicated helplines and web support.

## AFTER SALES SUPPORT



888 775 0202



[www.mcappliance.com](http://www.mcappliance.com)

MODEL: KLM1110STU, 12/12, 43265-13

# Contents

---

- 03 Product Registration
- 04 Precautions
- 06 Important Safety Instructions
- 08 Installation
- 09 Specifications
- 10 Parts and Features
- 14 Operation
- 25 Operating Precautions
- 27 Care and Cleaning
- 29 Troubleshooting
- 30 FAQ
- 32 Warranty
- 33 Index
- 35 Warranty Card

# Product Registration

---

1

Thank you for purchasing a Kitchen Living product. The first step to protect your new product is to complete the product registration on our website at [www.mcappliance.com/register](http://www.mcappliance.com/register). The benefits of registering your product include the following:

1. Registering your product will allow us to contact you regarding a safety notification or product update.
2. Registering your product will allow for more efficient warranty service processing when warranty service is required.
3. Registering your product could act as your proof of purchase in the event of insurance loss.

Once again, thank you for purchasing a Kitchen Living product.

## PRECAUTIONS TO AVOID POSSIBLE EXPOSURE TO EXCESSIVE MICROWAVE ENERGY

1. DO NOT attempt to operate the microwave oven with the door open since open-door operation can result in harmful exposure to microwave energy. It is important not to defeat or tamper with the door safety interlocks.
2. DO NOT place any object between the microwave oven front face and the door, or allow soil or cleaner residue to accumulate on the sealing surfaces.
3. DO NOT operate the microwave oven if it is damaged. It is particularly important that the microwave oven door closes properly and that there is no damage to the: (1) door (bent), (2) hinges and latches (broken or loosened), (3) door seals and sealing surfaces.
4. The microwave oven should not be adjusted or repaired by anyone except properly qualified service personnel.

## FEDERAL COMMUNICATIONS COMMISSION RADIO FREQUENCY INTERFERENCE STATEMENT

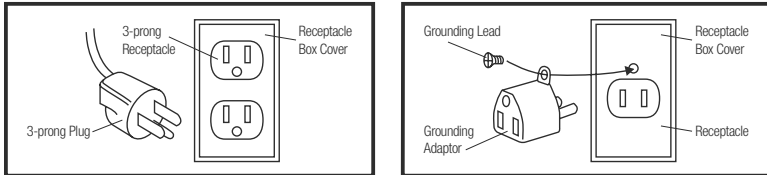
WARNING: This equipment generates and uses ISM frequency energy and if not installed and used properly, that is in strict accordance with the manufacturer's instructions, may cause interference to radio and television reception. It has been type-tested and found to comply with limits for ISM Equipment pursuant to part 18 of FCC Rules, which are designed to provide reasonable protection against such interference in a residential installation. However, there is no guarantee that interference will not occur in a particular installation. If this equipment does cause interference to radio or television reception, which can be determined by turning the equipment OFF and ON, the user is encouraged to try to correct the interference by one or more of the following:

- Reorient the receiving antenna of the radio or the television.
- Relocate the microwave oven with respect to the receiver.
- Move the microwave oven as far away as possible from the receiver.
- Plug the microwave oven into a different outlet so that the microwave oven and the receiver are on different branch circuits.

THE MANUFACTURER is not responsible for any radio or TV interference caused by UNAUTHORIZED MODIFICATION to this microwave oven. It is the responsibility of the user to correct such interference.

## GROUNDING INSTRUCTIONS

The microwave oven must be grounded. In the event of an electrical short circuit, the 3-prong grounding plug reduces the risk of electric shock by providing an escape wire for the electric current. The microwave oven is equipped with a power cord consisting of a grounding wire with a 3-prong grounding plug. The 3-prong plug must be plugged into a 3-prong outlet receptacle that is properly installed and grounded.



**WARNING:** Improper use of the grounding plug and/or outlet can result in a risk of electric shock. Consult a qualified electrician or serviceman if the grounding instructions are not completely understood, if doubt exists as to whether the appliance is properly grounded, or either:

- If it is necessary to use an extension cord, use only a 3-wire extension cord that has a 3-blade grounding plug, and a 3-slot receptacle that will accept the plug on the appliance. The marked rating of the extension cord shall be equal to or greater than the electrical rating of the appliance.
- If the power supply cord is too short, have a qualified electrician or serviceman install an outlet near the appliance, or **DO NOT** use an extension cord.

**WARNING:** **DO NOT** cut or remove the third (ground) prong from the power cord under any circumstances.

# Important Safety Instructions 3

---

**WARNING:** To reduce the risk of fire, electrical shock, and/or injury to persons, basic safety precautions should always be followed when using electrical appliances.

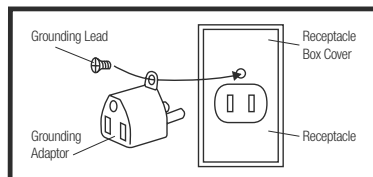
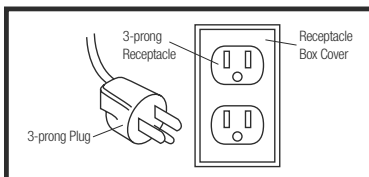
When using electrical appliances, basic safety precautions should be followed, including the following:

1. Read all instructions before using the appliance.
2. Read and follow the specific "PRECAUTIONS TO AVOID POSSIBLE EXPOSURE TO EXCESSIVE MICROWAVE ENERGY" section found on pg. 4.
3. This appliance must be grounded. Connect only to a properly grounded outlet. See the "GROUNDING INSTRUCTIONS" section found on pg. 5.
4. Install or locate the appliance only in accordance with the provided installation instructions.
5. Some products, such as whole eggs and sealed containers (e.g. closed glass jar), are able to explode and should not be heated in the microwave oven.
6. Use the microwave only for its intended use as described in the user guide. **DO NOT** use corrosive chemicals or vapors in the microwave. This type of oven is specifically designed to heat, cook, or defrost food. It is not designed for industrial or laboratory use.
7. As with any appliance, close supervision is necessary when used by children or incapacitated persons.
8. **DO NOT** operate the microwave if it has a damaged power cord or plug, if it is not working properly, or if it has been damaged or dropped in any manner.
9. The microwave should be serviced only by a qualified service personnel. Contact the nearest authorized service facility for examination, repair, or adjustment.
10. **DO NOT** cover or block any openings on the appliance.
11. **DO NOT** store the microwave outdoors. **DO NOT** use the microwave near water (e.g. near a kitchen sink, in a wet basement, near a swimming pool, or similar locations).
12. **DO NOT** immerse the power cord or plug in water.
13. Keep the cord away from all heated surfaces.
14. **DO NOT** let the power cord hang over the edge of the tabletop or the countertop.
15. When the cleaning surfaces of the door and the oven frame come together upon closing the door, use only mild, nonabrasive soaps or detergents applied with a sponge or soft cloth.

16. To reduce the risk of fire in the oven cavity:
  - a) DO NOT overcook any food. Carefully attend to the microwave when paper, plastic, or other combustible materials are placed inside the oven to facilitate cooking.
  - b) Remove wire twist-ties from paper or plastic bags before placing into the oven.
  - c) If materials inside the oven ignite, keep the oven door closed, turn the oven OFF, and disconnect the power cord, or shut off the power at the fuse or the circuit breaker panel.
  - d) DO NOT use the cavity for storage purposes. DO NOT leave paper products, cooking utensils, or food in the cavity when not in use.
17. Liquids, such as water, coffee, or tea are able to be overheated beyond the boiling point without appearing to be boiling due to surface tension of the liquid. Visible bubbling or boiling when the container is removed from the microwave oven is not always present. THIS COULD RESULT IN VERY HOT LIQUIDS SUDDENLY BOILING OVER WHEN A SPOON OR OTHER UTENSIL IS INSERTED INTO THE LIQUID. To reduce the risk of injury to persons:
  - a) DO NOT overheat the liquid.
  - b) Stir the liquid both before and halfway through heating.
  - c) DO NOT use straight-sided containers with narrow necks.
  - d) After heating, allow the container to stand in the microwave oven for a short time before removing the container.
  - e) Use extreme care when inserting a spoon or other utensil into the container.
18. DO NOT use the microwave oven to heat corrosive chemicals (e.g. sulfides and chlorides). Vapors from such corrosive chemicals may interact with the contact and springs of the safety interlock switches, thereby rendering them inoperable.
19. Keep the waveguide cover clean at all times. Wipe the oven interior with a soft damp cloth after each use. If you leave grease or fat anywhere in the cavity it may overheat, smoke, or even catch fire when next using the oven.
20. Never heat oil or fat for deep frying as you cannot control the temperature, and doing so may lead to overheating and fire.
21. DO NOT operate the oven without the glass tray in place. Be sure it is properly sitting on the rotating base.

## SAVE THESE INSTRUCTIONS

1. Examine the microwave oven after unpacking. Check for damages such as a misaligned door, broken door or dent in the cavity. If any damage is found, DO NOT install, and notify your dealer immediately.
2. Install the microwave oven on a flat, level surface.
3. Check the ventilation. DO NOT block the air vents. If the air vents are blocked during operation, the oven may overheat and eventually fail. For proper ventilation, allow 4 inches (10.16 cm) of space between the oven top, sides, rear, and adjacent surfaces.
4. Install the microwave oven away from the radio and TV sets. Poor television reception and radio interference may result if the oven is located close to a TV, radio, antenna, feeder, etc. Place the oven as far from them as possible.
5. Install the microwave oven away from heating appliances and water taps. Keep the oven away from heat, steam, or splashing liquids. These things can adversely affect the wiring and electrical conduction contacts of the microwave oven.
6. Check the power supply.
  - a) Check your local power source. The microwave oven requires a current of approximately 12 Amperes, 120 Volts, and a 60 Hz grounded outlet.
  - b) A short power-supply cord is provided to reduce the risks resulting from becoming entangled in or tripping over a longer cord.
  - c) Longer cord sets or extension cords are available and may be used if care is exercised in their use.
  - d) If a longer cord or extension cord is used:
    - The marked electrical rating of the cord set or extension cord should be at the very least equal to the electrical rating of the appliance.
    - The extension cord must be a grounding type, 3-wire cord.
    - A longer cord should be arranged so that it will not drape over the countertop or tabletop where it can be pulled on by children or tripped over unintentionally.
  - e) The power supply cord is a 3-prong grounding plug. When using a grounding adaptor, ensure the receptacle box is fully grounded. See the below diagram.

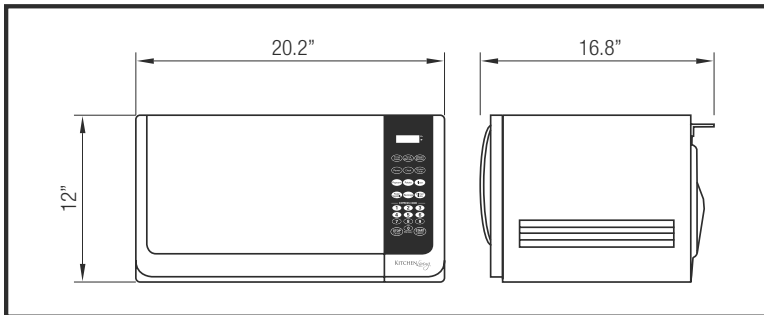




# Specifications

# 5

Power Supply		120V AC, 60Hz Single Phase with Grounding
Microwave	Input Power	1500W
	Energy Output	1000W
	Frequency	2,450MHz
Outside Dimensions		20.2" x 12.0" x 16.3" (W x H x D)
Cavity Dimensions		12.9" x 8.9" x 14.5" (W x H x D)
Cavity Volume		1.1 cu. ft.
Net Weight		Approximately 32.0 lbs.
Timer		99 minutes 99 seconds
Power Levels		11 Power Levels

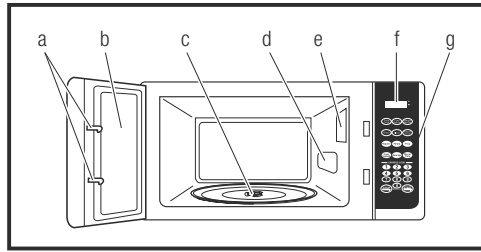


\* Due to continuing product development, specifications and design may be subject to change without prior notice.

## Unit

The appearance of your model may slightly differ from the illustrations in this manual.

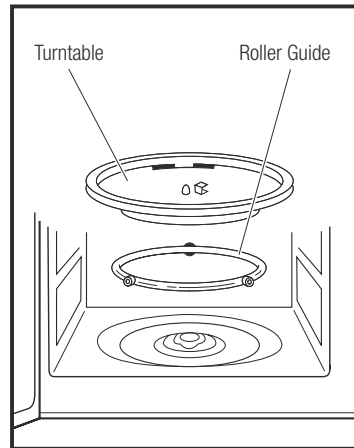
- a. Door Lock System
- b. Metal Shielded Window
- c. Glass Turntable
- d. Microwave Inlet Cover
- e. Microwave Oven Light
- f. LED Display
- g. Control Panel



## Turntable and Roller Guide

The turntable can rotate in either direction to help cook food more evenly. For best cooking results, DO NOT operate the microwave oven without having the turntable in place. Contact After Sales Support for assistance, service, to reorder any of the parts. To Install:

1. Install the hub into the hole in the center of the microwave oven cavity bottom.
2. Place the roller guide on the microwave oven cavity bottom.
3. Place the turntable on the support. Fit the raised, curved mounds in the center of the turntable bottom between the three spokes of the hub.



## Control Panel

a. LED Display:

When power is first supplied to the microwave oven, "0:00" will appear on the display. If the "0:00" appears on the display at any other time, a power failure has occurred. Reset the clock if needed. See the "Clock" section on pg. 12. When the microwave oven is in use, the display shows the remaining cooking time. When the microwave oven is not in use, the display shows the time of day (if the clock is set) or the Kitchen Timer countdown.

b. Start/+30SEC:

Pressing the **START/+30SEC** button operates any function. If cooking is paused by pressing the **STOP/CANCEL** button or by opening the door, then pressing the **START/+30SEC** button will resume the cycle. Pressing the **START/+30SEC** button automatically operates the microwave at 100% cooking power for 30 seconds. Each additional use of the **START/+30SEC** button adds 30-second increments to the cooking time for any cooking cycle.

c. Stop/Cancel:

When cooking, pressing the **STOP/CANCEL** button once or opening the door pauses the cooking cycle; closing the door and pressing the **START/+30SEC** button resumes the paused cycle. Pressing the **STOP/CANCEL** button twice or pressing the button after opening the door cancels the current cooking cycle. Pressing the **STOP/CANCEL** button clears any incorrect command; however, it does not clear the 12-hour system clock. The **STOP/CANCEL** button is also used for the Child Safety Lock function. Please see the "Child Safety Lock" section on pg. 13.

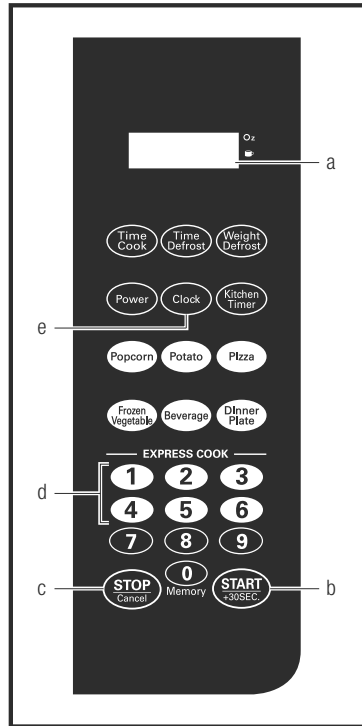
d. Express Cook

Pressing the numerical keys 1 to 6 automatically operates the microwave at 100% cooking power for 1 to 6 minutes; depending on the respective value of the numerical key used.

e. Clock:

The clock is a standard 12-hour system clock (1:00-12:59). If the clock is not set, "0:00" will remain on the LED display. To set the clock:

1. The microwave oven must be in standby mode (i.e., no functions currently operating).



2. Press the **CLOCK** button. "00:00" will appear on the LED display, along with the first "0" flashing.
3. Input the current time by pressing the respective numerical keys. All four digits need to be entered from left to right. Additionally, the input of the first digit can only be "0" or "1".
4. If the numbers used are not within the range of 1:00-12:59, the setting will be invalid until valid numbers are used.
5. Press the **CLOCK** button to finish setting the clock. When the clock is set, the ":" will flash. Pressing the **CLOCK** button during the cooking cycle will display the 12-hour system clock for 3 seconds.

NOTE: If the **STOP/CANCEL** button is pressed or if there is no operation within 60 seconds of the clock setting process, the microwave oven will automatically revert back to the former setting.

## Kitchen Timer

The kitchen timer function can be used to set the time for the cooking cycle. The maximum input setting is 99 minutes and 99 seconds. The kitchen timer may not be used while any other function is operating (i.e., the microwave oven must be in standby mode).

NOTE: The kitchen timer does not start or stop the cooking cycle of the microwave, and it is different from the 12-hour system clock. The kitchen timer is used to set the cooking time.

To set the kitchen timer:

1. Press the **KITCHEN TIMER** button; a "00:00" will appear on the LED display, along with the first "0" flashing.
2. Enter the desired time in minutes and seconds, by pressing the numerical keys. All four digits from left to right need to be entered (e.g. 1-0-3-0 for 10 minutes and 30 seconds; or 0-5-0-0 for 5 minutes and 00 seconds).
3. Press the **START/+30SEC** button. When the kitchen timer countdown comes to an end, an end-of-cycle tone will sound, and the LED display will return to the 12-hour system clock.
4. Press the **STOP/CANCEL** button at any time during the timer countdown to cancel the kitchen timer function.

## Child Safety Lock

The Child Safety Lock function deactivates the control panel to avoid unintended use of the microwave oven. To enable the safety lock function, the microwave oven must be in standby mode (i.e., no functions currently operating). The Child Safety Lock is activated by pressing the **STOP/CANCEL** button for 3 seconds, until one long tone indicates activation. The LED display will clear and show an outline of the LED display area, and it will not respond to any functions while locked. Repeat the process to deactivate and unlock the control panel; returning the display to the time of day.

## Tones

The microwave oven uses audible signals (i.e., tones) that indicate the following:

### One Tone

- One short tone indicates a valid entry.
- One short tone when cooking in stages indicates the end of the first stage.
- One long tone indicates activation or deactivation of the Child Safety Lock.

### Five Tones

- Five tones indicates the end of the cooking cycle.
- Five tones indicates the end of the kitchen timer countdown.

## Microwave Oven Use

A magnetron in the microwave oven produces microwaves that reflect off the interior cavity; passing through the turntable and appropriate cookware to cook the food. The produced microwaves are attracted to and absorbed by fat, sugar, and water molecules in the food; thereby causing the molecules to move and produce friction that creates heat required to cook the food.

1. To avoid damage to the microwave oven, DO NOT lean on or allow children to swing on the microwave oven door.
2. To avoid damage to the microwave oven, DO NOT operate the unit when it is empty.
3. Baby bottles and baby food jars should not be heated in the microwave oven.
4. Clothes, flowers, fruit, herbs, wood, gourds, paper, including brown paper bags and newspapers, should not be dried in the microwave oven.
5. Paraffin wax will not melt in the microwave oven because it does not absorb the microwaves.
6. Use oven mitts or pot holders when removing containers from the microwave oven.
7. DO NOT overcook potatoes. At the end of the recommended cooking time, potatoes should be slightly firm. Let the potatoes stand for approximately 5 minutes. The potatoes will finish cooking during standing time.
8. DO NOT cook or reheat whole eggs inside the shell. Steam buildup in whole eggs may cause them to burst, requiring significant cleanup of the microwave oven cavity. Cover the poached eggs and allow for standing time.

## Food Characteristics

When cooking with the microwave, the portion, size and shape, composition and density, and starting temperature of the food affect the overall cooking results.

- Amount of Food  
Longer cooking times are needed when greater amounts of food are heated altogether. Check the cooking results of the food and add small increments of time, if necessary.
- Size and Shape  
Smaller pieces of food will cook more quickly than larger pieces, and uniformly shaped food cook more evenly than irregularly shaped food.

- **Composition and Density**  
Foods high in fat and sugar will reach a higher temperature, and will heat faster than other foods. Heavy, dense foods, such as meat and potatoes, require a longer cook time than the same size of a light, porous food, such as cake.
- **Starting Temperature**  
Room temperature food will heat faster than refrigerated food, and refrigerated food will heat faster than frozen food.

## Cooking Guidelines

- **Covering**  
Covering food helps to retain moisture, shorten cook time, and reduce spattering. Use the lid supplied with the cookware. If a lid is not available, microwave-safe products, including wax paper, paper towels, or plastic food wraps, may be used with the microwave oven. The plastic food wrap should be turned back at one corner to provide an opening to vent steam. Condensation on the door and cavity surfaces are normal during heavy cooking.
- **Stirring and Turning**  
Stirring and turning redistributes heat evenly to avoid overcooking the outer edges of food. Stir from the outside to the center. If possible, flip the food over from top to bottom.
- **Arranging**  
Arrange thinner portions or smaller sized items toward the center of the plate when cooking irregularly shaped or different sized foods. When cooking several items of the same size and shape, place them in a ring pattern, thereby leaving the center of the ring empty.
- **Piercing**  
Before heating, use a fork or small knife to pierce foods that have a skin or membrane, including potatoes, egg yolks, chicken livers, hot dogs, or sausages. Be sure to pierce the item in several places to allow steam to vent.
- **Shielding**  
Use small, flat pieces of aluminum foil to shield the thin pieces of irregularly shaped foods and bones, including chicken wings, leg tips, and fish tails. See the "Aluminum Foil and Metal" section found on pg. 16 first.
- **Standing Time**  
The food will continue to cook by the natural conduction of heat even after the cooking cycle ends. The length of standing time depends on the volume and density of the food.

## Cookware and Dinnerware

The cookware and dinnerware must fit onto the turntable. Always use oven mitts or pot holders when handling since the dish may become extremely hot from heat being transferred from the food. DO NOT use any cookware and dinnerware with gold or silver trim. Use the following chart as a general guideline and test the materials before using them with food:

Material	Recommendations
Aluminum Foil, Metal	See the "Aluminum Foil and Metal" section found on pg. 16.
Browning Dish	The bottom must be at least 3/16" (5 mm) above the turntable. Follow the manufacturer's recommendations.
Ceramic Glass, Glass	Not recommended for use.
China, Earthenware	Follow manufacturer's recommendations.
Melamine	Follow manufacturer's recommendations.
Paper: Towels, Dinnerware, Napkins	Use non-recycled materials and those approved by the manufacturer for microwave oven use.
Plastic: Wraps, Bags, Covers, Dinnerware, Containers	Use those approved by the manufacturer for microwave oven use.
Pottery and Clay	Follow manufacturer's recommendations.
Silicone, Bakeware	Follow manufacturer's recommendations.
Straw, Wicker, Wooden Containers	Not recommended for use.
Wax Paper	Use those approved by the manufacturer for microwave oven use.

Testing the Cookware or Dinnerware for Microwave Oven Use:

1. Place the cookware or dinnerware into the microwave oven with 1 cup (250 mL) of water beside it.
2. Cook the respective items at 100% cooking power for 1 minute. DO NOT use any cookware or dinnerware if it becomes hot, while the water inside the cup remains cool.

## Aluminum Foil and Metal

Always use oven mitts or pot holders when removing dishes from the microwave oven. Certain aluminum foils and metals can be used in the microwave oven. Always follow the brand manufacturer's recommendations before using it with the microwave oven. If not used properly, arcing (a blue flash of light) can occur and cause damage to the microwave oven.



### Acceptable for Use

Racks and bakewares supplied with the microwave oven (if applicable), certain aluminum foils for shielding, and approved meat thermometers may be used with the following guidelines:

1. To avoid damage to the microwave oven, DO NOT allow the aluminum foil or the metal to come in contact with the cavity, including the side walls, ceiling, or floor.
2. Always use the supplied turntable.
3. To avoid damage to the microwave oven, DO NOT allow the item to come in contact with another metal object during the cooking cycle.

### Unacceptable for Use

Metal cookware and bakeware; metals such as gold, silver, or pewter; unapproved meat thermometers; skewers; twist ties; or foil liners such as sandwich wrappers or staples; objects with gold or silver trim; or objects with a metallic glaze are not recommended for use in the microwave oven.

## Microwave Cooking Power

Many recipes for the microwave cooking functions specify which cooking power is recommended for use by percent, name or number. For example, 70% = 7 = Medium-High. Use the following chart as a general guideline for the suggested cooking power of specific foods:

Percent/Name	Number	Display	Use
100%, High (default setting)	10	PL10	For quick heating convenience foods and foods with high water content, including soups, beverages, or most vegetables.
90%	9	PL9	For cooking small, tender pieces of meat, ground meat, poultry pieces, or fish fillets.
80%	8	PL8	For heating rice, pasta, or mixable casseroles. For cooking and heating foods that need a cooking power lower than High (e.g., whole fish or meat loaf).
70%, Medium-High	7	PL7	For reheating a single serving of food.
60%	6	PL6	For cooking sensitive foods, including cheese dishes, egg dishes, pudding, or custards. For cooking non-mixable casseroles (e.g., lasagna).
50% Medium	5	PL5	For cooking ham, whole poultry, or pot roasts. For simmering stews.

40%	4	PL4	For melting chocolate. For heating bread, rolls, or pastries.
30%, Medium-Low (Defrost)	3	PL3	For defrosting bread, fish, meats, poultry, or precooked foods.
20%	2	PL2	For softening butter, cheese, or ice cream.
10%	1	PL1	For taking the chill out of fruit.
0%	0	PL0	Fan only with no heat.

## Manual Cooking

1. Place the food onto the turntable and close the door.
2. Press the **TIME COOK** button and enter the length of time for the cooking cycle.
3. Press the **POWER** button. "PL10" will appear briefly on the display. If a cooking power other than 100% is needed, press the number keys to select the power level from highest to lowest. See the "Microwave Cooking Power" chart on page 17.
4. Press the **START/+30SEC** button. The display will count down the set cook time. When the cycle ends, the end-of-cycle tone will sound, and the display will return to the time of day (the 12-hour system clock).
5. Press the **STOP/CANCEL** button at any time during the countdown to pause or cancel the cooking cycle.

## Cooking in Stages

The microwave oven can be set to cook at different cooking power levels for various lengths of time; up to two stages. One of the stages may be the defrost function (see the "Defrost" section on page 19), which will be the first stage.

To Cook in Stages:

1. Place the food on the turntable and close the door.
2. Press the **TIME COOK** button.
3. Enter the length of time to cook.
4. Press the **POWER** button. "PL10" will appear briefly on the display. If a cooking power other than 100% is needed, press the number keys to select the power level from highest to lowest. See the "Microwave Cooking Power" chart on page 17.
5. Press the **TIME COOK** button.
6. Enter the length of time to cook for the second stage.
7. Press the **POWER** button. "PL10" will appear briefly on the display. If a cooking power other than 100% is needed, press the number keys to select the power level from highest to lowest. See the "Microwave Cooking Power" chart on page 17.

8. Press the **START/+30SEC** button. The display will count down the set cooking time for each stage, and a short tone will sound at the end of the first stage. The power level may be seen for 3 seconds by touching the **POWER** button during the cooking cycle stage. When the cooking cycle ends, the end-of-cycle tone will sound, and the display will return to the time of day (the 12-hour system clock).
9. Press the **STOP/CANCEL** button at any time during the countdown to pause or cancel the cooking cycle.
10. The cooking time may be increased in 30-second increments during the cooking cycle stage by pressing the **START/+30SEC** button.

To Use the TIME Defrost Function as the First Stage:

Press the **TIME DEFROST** button. “dEF2” will appear on the LED display. Enter the desired time for defrosting (see the “Time Defrost” section on page 20), then follow steps 5-8 above for the second stage programming.

To Use the WEIGHT Defrost Function as the First Stage:

Press the **WEIGHT DEFROST** button. “dEF1” will appear on the LED display. Enter the number of ounces between 4 and 100 ounces (see the “Weight Defrost” section on page 20), then follow steps 5-8 above for the second stage programming.

## Defrost

The defrost feature has two functions: “dEF1” is the automatic defrost by weight, and “dEF2” is the manual defrost by time. The default power level for the manual defrost by time feature is 30%, but it can be adjusted.

1. Unwrap the food and remove any lids (e.g., fruit juice containers) before defrosting.
2. Shallow packages will defrost more quickly than thicker ones.
3. Separate the food pieces as soon as possible during the cycle, or at the end of the cycle, for a more even defrosting of the food.
4. Use small pieces of aluminum foil to shield parts of food, such as chicken wings, leg tips, or fish tails. See the “Aluminum Foil and Metal” section on page 16 before using.

The defrost feature should not be used for foods that have been left outside the freezer for more than 20 minutes, or with frozen, ready-made foods. Use the following chart as a general guideline:

MEAT	
Beef: ground, steaks, roast, stew Lamb: stew and chops Pork: chops, ribs, roasts, sausage	The narrow or fatty areas of irregular shaped meat cuts should be shielded with foil before defrosting. DO NOT defrost less than 1/4 lb (113 g) of meat or two 4 oz (113 g) patties. Place all meats in a microwave-safe baking dish. DO NOT cover the baking dish.

## POULTRY

Chicken: whole and cut up  
Cornish hens  
Turkey breast

Place all poultry in a microwave-safe baking dish, with the turkey or chicken breast side up. DO NOT cover the baking dish.

## FISH

Filletts, Steaks, Whole Shellfish

Place all fish cuts in a microwave-safe baking dish. DO NOT cover the baking dish.

## Defrost by Time

1. Place the uncovered food onto the turntable and close the door.
2. Press the **TIME DEFROST** button. "dEF2" will appear on the LED display.
3. Enter the desired time for defrosting. The default microwave power level is 3. If you want to change the power level, press the **POWER** button once, and the LED will display a "PL3", then press the number key of the power level you desire.
4. Press the **START/+30SEC** button. The LED display will count down the defrost time. When the defrost cycle ends, the end-of-cycle will sound, and the display will return to the time of day (i.e., the 12-hour system clock).
5. Press the **STOP/CANCEL** button at any time during the countdown to pause or cancel the defrosting cycle.

## Defrost by Weight

1. Place the uncovered food onto the turntable and close the door.
2. Press the **WEIGHT DEFROST** button. "dEF1" will appear on the LED display.
3. Enter the weight in ounces, from 4 to 100 ounces. If an invalid value is entered, the microwave oven will not start.
4. Press the **START/+30SEC** button. The display will count down the defrost time. When the defrost cycle ends, the end-of-cycle tone will sound, and the display will return to the time of day (i.e., the 12-hour system clock).
5. Press the **STOP/CANCEL** button at any time during the countdown to pause or cancel the defrosting cycle.

## Memory

The MEMORY feature can store up to 3 unique cooking programs. The AUTO MENU functions cannot be programmed as a memory function.

To Set the MEMORY Feature:

1. Press the **MEMORY** button. A "1" will appear on the LED display for the first memory program.
2. Set the program, following the instructions in the "Manual Cooking" or the "Cooking in Stages" sections on page 18.
3. Press the **START/+30SEC** button. A valid entry tone will sound, indicating that the program has been accepted into memory. Or by pressing the **START/+30SEC** button again, the program will immediately start the cooking cycle, and it will be saved into memory.

To Set the Second and Third Memory Programs:

Press the **MEMORY** button two or three times (for "2" and "3", respectively), then follow steps 2 and 3 above.

To Use the MEMORY Feature:

1. Place the food onto the turntable and close the door.
2. Press the **MEMORY** button until the desired memory program number is displayed.
3. Press the **START/+30SEC** button. The LED display will count down the program cooking time. When the cycle ends, the end-of-cycle tone will sound, and the LED display will return to the time of day (i.e., the 12-hour system clock).
4. Press the **STOP/CANCEL** button at any time during the countdown to pause or cancel the cooking cycle.

## Popcorn

PAD	PRESS	DISPLAY	SERVING SIZE
POPCORN	Once	1.75	1.75 oz (50g)
	Twice	3.0	3.0 oz (85g)
	Three Times	3.5	3.5 oz (99g)

NOTE: When using the POPCORN function, as with all microwave cooking functions, the microwave oven should be attended at all times. Listen for the popping sound to slow down to about one pop every 1 or 2 seconds, then stop the cooking cycle.

1. To avoid any damage to the microwave oven, DO NOT use regular paper bags or glassware.
2. Only pop one package of popcorn at a time.
3. Follow the manufacturer's instructions when using a microwave popcorn popper.
4. For best cooking results, DO NOT try to pop any uncooked popcorn kernels.
5. For optimal results, use only fresh bags of popcorn.
6. Cooking results may vary by brand and fat content. For unlisted sizes on the cooking chart (see the chart above), always follow the directions listed on the brand's package.

To Use the POPCORN Feature:

1. Place the popcorn bag onto the turntable, and close the door.
2. Press the **POPCORN** button to select the appropriate size (see the chart above).
3. Press the **START/+30SEC** button. The display will count down the popping time. When the popping cycle ends, the end-of-cycle tone will sound, and the LED display will return to the time of day (i.e., the 12-hour system clock).
4. Press the **STOP/CANCEL** button at any time during the countdown to pause or cancel the popping cycle.

## Potato

PAD	PRESS	DISPLAY	SERVING SIZE
POTATO	Once	1	1 potato, 8 oz (230g)
	Twice	2	2 potatoes, 16 oz (460g)
	Three Times	3	3 potatoes, 24 oz (690g)

Pierce each potato several times with a fork before cooking. Place a single potato onto the turntable, off to the side (i.e., not centered). For multiple potatoes, place 2 or 3 potatoes onto the turntable around the edges, at least 1" (2.5 cm) apart. Let the potato or potatoes stand for 5 minutes after the cooking cycle ends.

To Use the POTATO Feature:

1. Place the potato or potatoes onto the turntable and close the door.
2. Press the **POTATO** button to select the number of potatoes (see the chart above).
3. Press the **START/+30SEC** button. The display will count down the cooking time. When the cooking cycle ends, the end-of-cycle tone will sound, and the LED display will return to the time of day (i.e., the 12-hour system clock).
4. Press the **STOP/CANCEL** button at any time during the countdown to pause or cancel the cooking cycle.

## Pizza

PAD	PRESS	DISPLAY	SERVING SIZE
PIZZA	Once	4.0	1 slice, 4 oz (115g)
	Twice	8.0	2 slices, 8 oz (230g)
	Three Times	14.0	3 slices, 14 oz (440)

Place the pizza slice(s) onto a microwave-safe container or paper plate with a paper towel.

To Use the PIZZA Feature:

1. Place the pizza slice(s) onto the turntable, and close the door.
2. Press the **PIZZA** button to select the size (see the chart above).

3. Press the **START/+30SEC** button. The display will count down the reheat time. When the reheating cycle ends, the end-of- cycle tone will sound, and the LED display will return to the time of day (i.e., the 12-hour system clock).
4. Press the **STOP/CANCEL** button at any time during the countdown to pause or cancel the reheating cycle.

## Beverage

PAD	PRESS	DISPLAY	SERVING SIZE
BEVERAGE	Once	1	1 cup, 4 oz (120mL)
	Twice	2	2 cups, 8 oz (240mL)
	Three Times	3	3 cups, 12 oz (360mL)

1. DO NOT cover the beverage cup's opening.
2. The diameter of the beverage cup's opening will affect how the liquid heats. Beverages in cups with smaller openings may heat faster than cups with larger openings.

To Use the BEVERAGE Feature:

1. Place the cup onto the turntable, and close the door.
2. Press the **BEVERAGE** button to select the cup size (see the chart above).
3. Press the **START/+30SEC** button. The display will count down the heating time. When the heating cycle ends, the end-of-cycle tone will sound, and the LED display will return to the time of day (i.e., the 12-hour system clock).
4. Press the **STOP/CANCEL** button at any time during the countdown to pause or cancel the heating cycle.

## Dinner Plate

PAD	PRESS	DISPLAY	SERVING SIZE
DINNER PLATE	Once	9.0	9 oz (255g)
	Twice	12.0	12 oz (340g)
	Three Times	18.0	18 oz (510g)

Place the food onto the dinner plate, cover it with a plastic wrap, and vent the plate at one corner.

To Use the DINNER PLATE Feature:

1. Place the dinner plate onto the turntable and close the door
2. Press the **DINNER PLATE** button to select its size (see the chart above).
3. Press the **START/+30SEC** button. The display will count down the cooking time. When the cooking cycle ends, the end-of-cycle tone will sound, and the LED display will return to the time of day (i.e., the 12-hour system clock).

4. Press the **STOP/CANCEL** button at any time during the countdown to pause or cancel the cooking cycle.

## Frozen Vegetable

PAD	PRESS	DISPLAY	SERVING SIZE
FROZEN VEGETABLE	Once	4.0	4 oz (113g)
	Twice	8.0	8 oz (227g)
	Three Times	16.0	16 oz (454g)

1. Remove the frozen vegetables from its package.
2. Place the items onto a microwave-safe container.
3. Add water: 2 tbs (30mL) to 4.0 oz (113 g) vegetables; 4 tbs (60 mL) to 8.0 oz (227 g) vegetables; 1/3 cup (80 mL) to 16.0 oz (454 g) vegetables.
4. Cover the container with plastic wrap and vent it at one corner.
5. Stir the vegetables halfway through the cooking cycle and let stand 2-3 minutes after the cooking cycle ends.

To Use the FROZEN VEGETABLE Feature:

1. Place the food onto the turntable and close the door.
2. Press the **FROZEN VEGETABLE** button to select the appropriate amount (see the chart above).
3. Press the **START/+30SEC** button. The display will count down the cooking time. When the cooking cycle ends, the end-of-cycle tone will sound, and the LED display will return to the time of day (i.e., the 12-hour system clock).
4. Press the **STOP/CANCEL** button at any time during the countdown to pause or cancel the cooking cycle.



## General Use

- DO NOT attempt to defeat or tamper with the safety interlocks.
- DO NOT place any object between the oven front frame and the door or allow residue to build up on sealing surfaces. Wipe with a mild detergent, rinse, and dry thoroughly.
- DO NOT use abrasive powders or pads.
- DO NOT subject the oven door to strain or weight such as a child hanging on an open door. This could cause the oven to fall forward resulting in injury and damage to the oven.
- DO NOT operate the oven if the door seals or sealing surfaces are damaged, if the door is bent, or if the hinges are loose or broken.
- DO NOT operate the oven empty; this will damage the oven.
- DO NOT attempt to dry clothes, newspapers, or other materials in the oven: they may catch on fire.
- DO NOT use recycled paper products as they may contain impurities which may cause sparks or fires.
- DO NOT hit or strike the control panel with hard objects; this can damage the oven.

## Food

- DO NOT use the microwave oven for home canning. The oven is not designed for proper home canning. Improperly canned food may spoil and be dangerous to consume.
- Always use the minimum recipe cooking time. It is better to undercook the recipe rather than overcook the food. Undercooked food can be returned to the oven for additional cooking. If the food is overcooked, nothing can be done.
- Carefully heat small quantities of food with low moisture, as it can quickly dry out, burn, or catch on fire.
- DO NOT heat eggs in the shell. Pressure may build up, causing eggs to explode.
- Potatoes, apples, egg yolks, and sausages are examples of food with non-porous skins. These types of food must be pierced before cooking to prevent bursting.
- DO NOT attempt to deep fry fat in your microwave oven. Always allow a standing time of at least 20 seconds after the oven has been switched OFF to allow the temperature to even out; or stir during heating, if necessary; and ALWAYS stir after heating. To prevent eruptive boiling and possible scalding, you should put a spoon or glass stick into the beverages and stir before, during, and after heating.

- DO NOT leave the oven unattended while popping popcorn.
- DO NOT pop popcorn in a paper bag unless it is the commercially prepared microwave popcorn product. The kernels can overheat and ignite a brown paper bag.
- DO NOT exceed the microwave popcorn manufacturer's suggested popping time. Longer popping does not yield more popcorn but it can result in burning the popcorn or risk of fire. Remember, the popcorn bag and tray can be too hot to handle. Remove with caution and always use pot holders.
- DO NOT put packaged microwave popcorn bags directly on the oven tray. Place the package on a microwave safe glass or ceramic plate to avoid overheating and cracking the oven tray.

## Arcing

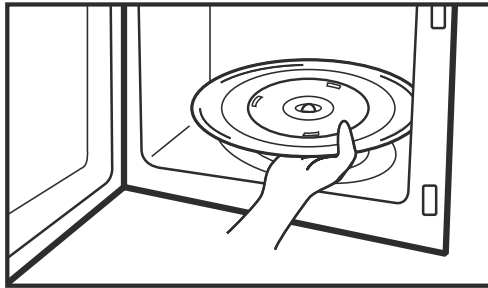
Arcing is the microwave term for sparks in the oven. If you see arcing, press the **STOP/CLEAR** button on the control panel and correct the problem. Arcing is caused by:

- Metal or foil touching the side of the oven.
- Foil not molded to food (upturned edges act like antennas).
- Metal, such as twist-ties, poultry pins, or gold rimmed dishes.
- Recycled paper towels containing small metal pieces.

## Unit

The oven should be cleaned regularly and any food deposits removed. Failure to maintain the oven in a clean condition could lead to deterioration of the surface that could adversely affect the life of the appliance and possibly result in a hazardous situation.

1. Unplug the power cord before cleaning any part of the oven.
2. Keep the inside of the oven clean. When food spatters or spilled liquids adhere to oven walls, wipe with a damp cloth. Mild detergent may be used if the oven gets very dirty. The use of harsh detergent or abrasives is not recommended.
3. The outside oven surface should be cleaned with soap and water, rinsed and dried with a soft cloth. To prevent damage to the operating parts inside the oven, water should not be allowed to seep into the ventilation openings.
4. If the control panel becomes wet, clean with a soft, dry cloth. DO NOT use harsh detergents or abrasives on the control panel.
5. If steam accumulates inside or around the outside of the oven door, wipe with a soft cloth. This may occur when the microwave oven is operated under high humidity conditions and in no way indicates malfunction of the unit.
6. It is occasionally necessary to remove the glass tray for cleaning. Wash the tray in warm, soapy water or in a dishwasher.



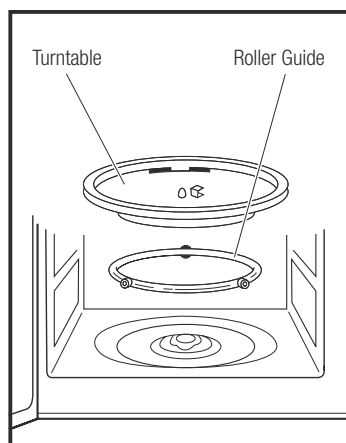
7. The roller guide and oven cavity floor should be cleaned regularly to avoid excessive noise. Simply wipe the bottom surface of the oven with a mild detergent mixed with water or window cleaner and dry thoroughly.

## Turntable

1. DO NOT operate the oven without the turntable in place.
2. DO NOT use any other glass tray with the oven.
3. If the turntable is hot, ALLOW TO COOL before cleaning or placing it in water.
4. DO NOT cook directly on the turntable; use a platter container.

## Roller Guide

1. The roller guide and oven floor should be cleaned frequently to prevent excessive noise.
2. The roller guide must always be used for cooking together with the turntable.



Although the oven is provided with safety features, it is important to observe the following:

1. DO NOT defeat or tamper with the safety interlocks.
2. DO NOT place any object between the oven front face and the door or allow residue to accumulate on sealing surfaces. Wipe the sealing area frequently with a mild detergent, rinse, and dry. Never use abrasive powders or pads.
3. When opened, the door must not be subjected to strain. For example, a child hanging on an opened door or any load could cause the oven to fall forward to cause injury, as well as damage to the door. DO NOT operate the oven if it is damaged, until it has been repaired by a qualified service technician. It is particularly important that the oven closes properly and that there is no damage to the:
  - a) Door (bent)
  - b) Hinges and Latches (broken or loosened)
  - c) Door seals and sealing surfaces.
4. The oven should not be adjusted or repaired by anyone except a qualified service technician.
5. The oven should be cleaned regularly and any food deposits removed.
6. Failure to maintain the oven in a clean condition could lead to deterioration of the surface that could adversely affect the life of the appliance and possibly result in a hazardous situation.

Before you call for service, refer to following checklist for common problems:

The oven does not work.	<ul style="list-style-type: none"><li>• Check that the power cord is securely plugged in.</li><li>• Check that the door is firmly closed.</li><li>• Check that the cooking time is set.</li><li>• Check for a blown circuit fuse or tripped main circuit breaker in your house.</li></ul>
Sparkling appears in the cavity.	<ul style="list-style-type: none"><li>• Check for utensils. Metal containers or dishes with metal trim should not be used.</li><li>• Check that the containers are free of metal skewers.</li><li>• Check that the container does not use metal foil or touch the interior walls.</li></ul>

If there is still a problem, contact After Sales Support for assistance or service.

**Q** : Can I use the oven with the glass tray or the roller guide removed?

**A** : No. Both the glass tray and the roller guide must always be properly installed in the oven while cooking.

**Q** : Can I open the door when the oven is operating?

**A** : The door can be opened anytime during the cooking operation. The microwave energy will be instantly switched OFF and the time setting will remain until the door is closed.

**Q** : Why do I have moisture in the microwave oven after cooking?

**A** : The moisture on the side of your microwave oven is normal. It is caused by steam from cooking food hitting the cool oven surface.

**Q** : Does the microwave energy pass through the viewing screen in the door?

**A** : No. The metal screen bounces back the energy to the oven cavity. The holes are made to allow light to pass through. They do not let microwave energy pass through.

**Q** : Why do eggs sometimes pop?

**A** : When baking or poaching eggs, the yolk may pop due to steam build-up inside the yolk membrane. To prevent this, simply pierce the yolk with a toothpick before cooking. Never cook eggs without piercing their shells.

**Q** : What does "Standing Time" mean?

**A** : "Standing Time" means that the food should be removed from the oven and covered for an additional amount of time to allow the food to finish cooking. This also frees the oven for other cooking duties.

**Q** : Why is "Standing Time" recommended after the cooking operation has completed?

**A** : "Standing Time" is very important. With microwave cooking, the heat is in the food, not in the oven. Many types of food build-up enough internal heat to allow the cooking process to continue, even after the food is removed from the oven. Standing time for meat, large vegetables, and cakes is to allow the inside to cook completely, without overcooking the outside.

**Q** : Why does the oven not always cook as fast as the microwave cooking guide says?

**A** : Check your cooking guide again, to make sure you've followed directions exactly; and to see what might cause variations in cooking time. The cooking guide times and heat settings are suggestions to help prevent overcooking. The most common problem in

getting used to a microwave oven. Variations in the size, shape, weights, and dimensions could require longer cooking time settings. Use your own judgement along with the cooking guide suggestions to check whether the food has been properly cooked just as you would do with a conventional cooker.

**Q** : Will the microwave oven be damaged if it operates while empty?

**A** : Yes. Never run the oven empty.

**Q** : Can I operate my microwave oven without the turntable or turn the turntable over to hold a large dish?

**A** : No. If you remove or flip the turntable, you will get poor cooking results. Dishes used in your oven must fit on the turntable.

**Q** : Is it normal for the turntable to turn in either direction?

**A** : Yes. The turntable rotates clockwise or counterclockwise, depending on the rotation of the motor when the cooking cycle begins.

**Q** : Can I pop popcorn in my microwave oven? How do I get the best results?

**A** : Yes. Microwave packaged popcorn by following the manufacturer's guidelines. DO NOT use regular paper bags. Use the "Listening Test" by stopping the oven as soon as the popping slows to a "Pop" every 1 to 2 seconds. DO NOT repop unpopped kernels. DO NOT pop popcorn in any glass cookware.

## Limited Warranty

MC Appliance corp. warrants each new 1.1 cu. ft. Stainless Steel Microwave Oven to be free from defects in material and workmanship and agrees to remedy any such defect or to furnish a new part(s) (at the company's option) for any part(s) of the unit that has failed during the warranty period. Parts and labor expenses are covered on this unit for a period of one year after the date of purchase. In addition MC Appliance corp. warrants the Magnetron (parts only) to be free from defects in material and workmanship for a period of 8 years. The consumer is responsible for all labor and transportation expenses related to the diagnosis and replacement of the Magnetron after the initial one- year warranty expires. If in the event the unit requires replacement or refund under the terms of this warranty the consumer is responsible for all transportation expenses to return the unit to our factory prior to receiving a replacement unit or refund. A copy of the dated sales receipt/invoice is required to receive warranty service, replacement or refund.

This warranty covers appliances in use within the continental United States, Puerto Rico and Hawaii. The warranty does not cover the following:

- Damages due to shipping damage or improper installation
- Damages due to misuse or abuse
- Content losses due to failure of the unit
- Repairs performed by unauthorized service agents
- Service calls that do not involve defects in material and workmanship such as instruction on proper use of the product or improper installation
- Replacement or resetting of house fuses or circuit breakers
- Failure of this product if used for other than its intended purpose
- Disposal costs of failed units not returned to our factory
- Any delivery / installation costs incurred as the result of a unit that fails to perform as specified
- Expenses for travel and transportation for product service if your appliance is located in a remote area where service by an authorized service technician is not available
- The removal and reinstallation of your appliance if it is installed in an inaccessible location or is not installed in accordance with published installation instructions

## Limitations of Remedies and Exclusions

This warranty is in lieu of all warranties expressed or implied and no representative or person is authorized to assume for us any other liability in connection with the sale of this product. Under no circumstances is the consumer permitted to return this unit to the factory without prior written consent from MC Appliance corp.

Model	Parts & Labor	Magnetron (Part Only)	Type of Service
KLM1110STU	One Year	Eight Years	Carry In



- 03 Product Registration
- 04 Precautions
  - 04 Precautions to Avoid Possible Exposure to Excessive Microwave Energy
  - 04 Federal Communications Commission Radio Frequency Interference Statement
  - 05 Grounding Instructions
- 06 Important Safety Instructions
- 08 Installation
- 09 Specifications
- 10 Parts and Features
  - 10 Unit
  - 10 Turntable and Roller Guide
  - 11 Control Panel
  - 12 Kitchen Timer
  - 13 Child Safety Lock
  - 13 Tones
- 14 Operation
  - 14 Microwave Oven Use
  - 14 Food Characteristics
  - 15 Cooking Guidelines
  - 16 Cookware and Dinnerware
  - 16 Aluminum Foil and Metal
  - 17 Microwave Cooking Power
  - 18 Manual Cooking
  - 18 Cooking in Stages
  - 19 Defrost
  - 20 Defrost by Time
  - 20 Defrost by Weight
  - 20 Memory
  - 21 Popcorn
  - 22 Potato
  - 22 Pizza
  - 23 Beverage
  - 23 Dinner Plate
  - 24 Frozen Vegetable
- 25 Operating Precautions
  - 25 General Use
  - 25 Food
  - 26 Arcing
- 27 Care and Cleaning
  - 27 Unit
  - 28 Turntable
  - 28 Roller Guide
- 29 Troubleshooting
- 30 FAQ
- 32 Warranty
- 33 Index




# KITCHEN *Living*

## 1.1 cu. ft. microwave oven

**Your details:**

Name \_\_\_\_\_

Address \_\_\_\_\_  
\_\_\_\_\_  
\_\_\_\_\_

 \_\_\_\_\_ E mail \_\_\_\_\_

Date of purchase\* \_\_\_\_\_

\* We recommend you keep the receipt with this warranty card

Location of purchase \_\_\_\_\_

**Description of malfunction:**

**Return your completed warranty card to:**

MC Appliance  
777 Mark Street  
Wood Dale, IL  
60191  
[www.mcappliance.com](http://www.mcappliance.com)

**AFTER SALES SUPPORT**

  888-775-0202  [www.mcappliance.com](http://www.mcappliance.com)

MODEL: KLM1110STU, ITEM # 43265-13

Phone lines available Monday to Friday, 8am - 6pm CST

**1**

YEAR WARRANTY

