



Multisided Top/Rear Vent Convertible Direct Vent

Fireplaces: **360DVS2**
 360DVS3
 360DVSL
 360DVSR

INSTALLER/CONSUMER SAFETY INFORMATION

**PLEASE READ THIS MANUAL
BEFORE INSTALLING AND USING
APPLIANCE**

IMPORTANT: Read all instructions and warnings carefully before starting installation. Failure to follow these instructions may result in a possible fire hazard, and will void the warranty.

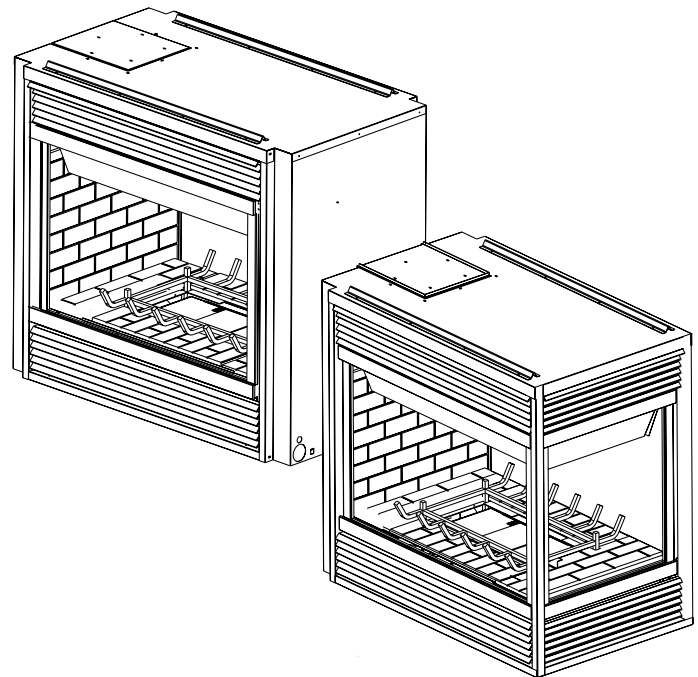
WARNING: If the information in this manual is not followed exactly, a fire or explosion may result, causing property damage, personal injury, or loss of life.

FOR YOUR SAFETY:

- Installation and service must be performed by a qualified installer, service agency, or the gas supplier.
- Do not store or use gasoline or other flammable vapors and liquids in the vicinity of this or any other appliance.

If you smell gas:

1. Open windows
2. Do not touch electrical switches.
3. Do not try to light any appliance.
4. Extinguish any open flame.
5. Do not use any telephone in your building.
6. Immediately call your gas supplier from a neighbor's phone.
7. Follow your gas supplier's instructions.
8. If you cannot reach your gas supplier, call the fire department.



Homeowner's Installation and Operating Manual



INSTALLER: Leave this manual with the appliance.
CONSUMER: Retain this manual for future reference.

Table of Contents

Thank you, and Congratulations on your purchase of a CFM Corporation Fireplace.

PLEASE READ THE INSTALLATION & OPERATING INSTRUCTIONS BEFORE USING APPLIANCE.

IMPORTANT: Read all instructions and warnings carefully before starting installation. Failure to follow these instructions fully may result in a possible fire hazard and will void the warranty.

Installation and Operating Instructions	3
Important Curing/Burning Instructions	3
Fireplace Dimensions	5
Framing Dimensions	7
Locating Your Fireplace	9
Clearance to Combustibles	9
Mantels	9
Hearth	10
Framing & Finishing	10
Final Finishing	10
Gas Specifications	10
Gas Inlet and Manifold Pressures	10
Gas Line Installation	11
EB-1 Electrical Junction Box Connection	11
Remote ON/OFF Switch Installation	11
Alternate Switch Location	11
Optional Top Vent Application	12
Electronic Gas Control Valve	13
Venting Installation Instructions	
General Venting	13
General Venting Information–Termination Location	14
Termination Clearances	15
General Information for Assembling Vent Pipes	15
Twist Lock Pipes	15
How To Use the Vent Graph	16
Rear Wall Application & Installation	16
Vertical Side Wall Application & Installation	17
Below Grade Installation	20
Vertical Through-the-Roof Application & Installation	21
Twist Lock Venting Components	23
Operating Instructions	
Glass Information	24
Louvre Removal	24
Window Frame Assembly Removal	24
Glass Cleaning	25
Ceramic Refractory Installation	25
Log Installation	25
Lava Rock & Ember Material Placement	26
Flame & Temperature Adjustment	26
Flame Characteristics	27
Lighting & Operating Instructions	28
Lighting & Operating Instructions (EN/EP)	29
Troubleshooting the Gas Control System	30
Fuel Conversion Instructions	33
Maintenance	35
Replacement Parts	36
Optional Accessories	
Fan Kits	39
Remote Controls	40
Decorative Trim Frame Kit	40
Warranty	43
Energuide	44

Installation & Operating Instructions

This gas appliance should be installed by a qualified installer, preferably NFI or WETT (Canada) certified, in accordance with local building codes and current CSA-B149.1 Installation Codes for Gas Burning Appliances and Equipment. If the unit is being installed in a mobile home, the installation should comply with the current CAN/CSA Z 240.4 code. For U.S.A. Installations, follow local codes and/or the current National Fuel Gas Code, ANSI Z223.1/NFPA 54.

FOR SAFE INSTALLATION AND OPERATION PLEASE NOTE THE FOLLOWING:

1. This fireplace gives off high temperatures and should be located out of high traffic areas and away from furniture and draperies.
2. Children and adults should be alerted to the hazards of high surface temperatures of this fireplace and should stay away to avoid burns or ignition of clothing.
3. **CAUTION: Due to high glass surface temperature, children should be carefully supervised when in the same room as fireplace.**



4. Under no circumstances should this fireplace be modified. Parts removed for servicing should be replaced prior to operating this fireplace again.
5. Installation and any repairs to this fireplace must be performed by a qualified installer, service agency or gas supplier. A professional service person should be contacted to inspect this fireplace annually. Make it a practice to have all of your gas fireplaces checked annually. More frequent cleaning may be required due to excess lint and dust from carpeting, bedding material, etc.
6. Control compartments, burners and air passages in this fireplace should be kept clean and free of dust and lint. Make sure the gas valve and pilot light are turned off before you attempt to clean this fireplace.
7. The venting system (chimney) of this fireplace should be checked at least once a year, and if needed, your venting system should be cleaned.
8. Keep the area around your fireplace clear of combustible materials, gasoline and other flammable vapor and liquids. This fireplace should not be used as a drying rack for clothing, nor should Christmas stockings or decorations be hung on or around the fireplace.
9. Under no circumstances should any solid fuels (wood, coal, paper or cardboard, etc.) be used in this fireplace.
10. The flow of combustion and ventilation air must not be obstructed in any way.

11. When the fireplace is installed directly on carpeting, vinyl tile, or any combustible material other than wood, it must be installed on a metal or wood panel extending the full width and depth of the fireplace.
12. This fireplace requires adequate ventilation and combustion air to operate properly.
13. This fireplace must not be connected to a chimney flue serving a separate solid fuel-burning fireplace.
14. When the fireplace is not in use, it is recommended the gas valve be left in the "OFF" position.

WARNING: Check with your electronics manufacturer before installing a television or other electronic device above this fireplace.

360DVS2/ 360DVS3/ 360DVSL/ 360DVSR CERTIFIED TO

**ANSI Z21.88-2005 / CSA 2.33-2005
Vented Gas Fireplace Heaters**

This appliance may be installed in an aftermarket, permanently located, manufactured home, or mobile home where not prohibited by local codes.

This appliance is only for use with type of gas indicated on the rating plate. This appliance is not convertible for use with other gases, unless a certified kit is used.

IMPORTANT:

PLEASE REVIEW THE FOLLOWING CAREFULLY

Remove any plastic from trim parts before turning the fireplace ON.

It is normal for fireplaces fabricated of steel to give off some expansion and/or contraction noises during the start up or cool down cycle. Similar noises are found with your furnace heat exchanger or car engine.

It is not unusual for your gas fireplace to give off some odor the first time it is burned. This is due to the curing of the paint and any undetected oil from the manufacturing process.

Please ensure that your room is well ventilated - open all windows.

It is recommended that you burn your fireplace for at least ten (10) hours the first time you use it. If the optional fan kit has been installed, place the fan switch in the "OFF" position during this time.

Proposition 65 Warning: Fuels used in gas, wood-burning or oil fired appliances, and the products of combustion of such fuels, contain chemicals known to the State of California to cause cancer, birth defects and other reproductive harm.
California Health & Safety Code Sec. 25249.6

Requirements for the Commonwealth of Massachusetts

All gas fitting and installation of this heater shall only be done by a licensed gas fitter or licensed plumber.

For all side wall horizontally vented gas fueled equipment installed in every dwelling, building or structure used in whole or in part for residential purposes, including those owned or operated by the Commonwealth and where the side wall exhaust vent termination is less than seven (7) feet above finished grade in the area of the venting, including but not limited to decks and porches, the following requirements shall be satisfied:

Installation of Carbon Monoxide Detectors

At the time of installation of the side wall horizontal vented gas fueled equipment, the installing plumber or gas fitter shall observe that a hard wired carbon monoxide detector with an alarm is installed on each additional level of the dwelling, building or structure served by the side wall horizontal vented gas fueled equipment. It shall be the responsibility of the property owner to secure the services of qualified licensed professionals for the installation of hard wired carbon monoxide detectors.

In the event that the side wall horizontally vented gas fueled equipment is installed in a crawl space or an attic, the hard wired carbon monoxide detector with alarm and battery back-up may be installed on the next adjacent floor level.

In the event that the requirements of this subdivision can not be met at the time of completion of installation, the owner shall have a period of thirty (30) days to comply with the above requirements; provided, however, that during said thirty (30) day period, a battery operated carbon monoxide detector with an alarm shall be installed.

Approved Carbon Monoxide Detectors

Each carbon monoxide detector as required in accordance with the above provisions shall comply with NFPA 720 and ANSI/UL 2034 listed and IAS certified.

Signage

A metal or plastic identification plate shall be permanently mounted to the exterior of the building at a minimum height of eight (8) feet above grade directly in line with the exhaust vent terminal for the horizontally vented gas fueled heating appliance or equipment. The sign shall read, in print size no less than one-half (1/2) inch in size, "**GAS VENT DIRECTLY BELOW, KEEP CLEAR OF ALL OBSTRUCTIONS**".

Inspection

The state or local gas inspector of the side wall horizontally vented gas fueled equipment shall not approve the installation unless, upon inspection, the inspector observes carbon monoxide detectors and signage installed in accordance with the provisions of 248 CMR 5.08(2)(a)1 through 4.

Exemptions

The following equipment is exempt from 248 CMR 5.08(2)(a)1 through 4:

- The equipment listed in Chapter 10 entitled "Equipment Not Required To Be Vented" in the most current edition of NFPA 54 as adopted by the Board; and
- Product Approved side wall horizontally vented gas fueled equipment installed in a room or structure separate from the dwelling, building or structure used in whole or in part for residential purposes.

MANUFACTURER REQUIREMENTS

Gas Equipment Venting System Provided

When the manufacturer of Product Approved side wall horizontally vented gas equipment provides a venting system design or venting system components with the equipment, the instructions provided by the manufacturer for installation of the equipment and the venting system shall include:

- Detailed instructions for the installation of the venting system design or the venting system components; and
- A complete parts list for the venting system design or venting system.

Gas Equipment Venting System NOT Provided

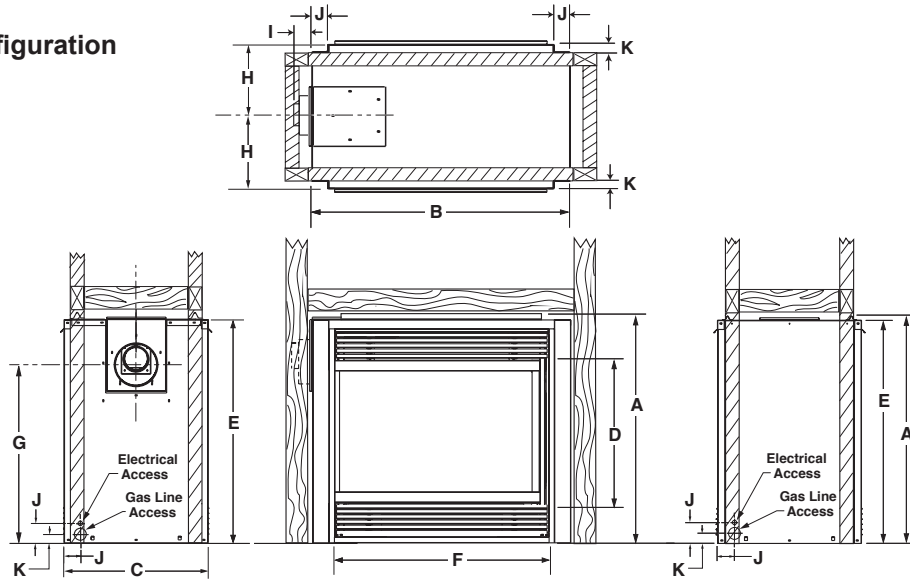
When the manufacturer of a Product Approved side wall horizontally vented gas fueled equipment does not provide the parts for venting the flue gases, but identifies "special venting systems", the following requirements shall be satisfied by the manufacturer:

- The referenced "special venting system" instructions shall be included with the appliance or equipment installation instructions; and
- The "special venting systems" shall be Product Approved by the Board, and the instructions for that system shall include a parts list and detailed installation instructions.

A copy of all installation instructions for all Product Approved side wall horizontally vented gas fueled equipment, all venting instructions, all parts lists for venting instructions, and/or all venting design instructions shall remain with the appliance or equipment at the completion of the installation.

Fireplace Dimensions - 360DVS2

Rear Vent Configuration



Top Vent Configuration

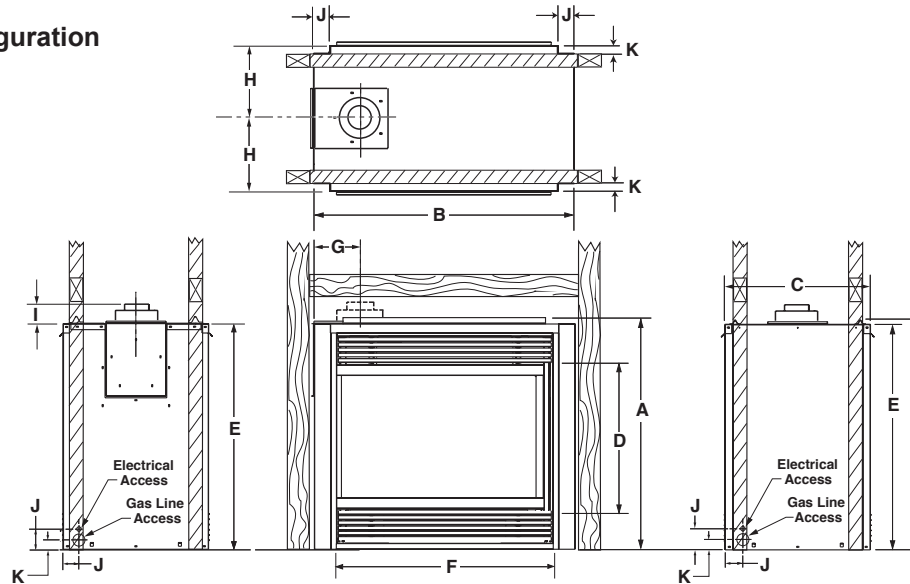


Fig. 1a Fireplace specifications—360DVS2

Ref.	Appliance Dimensions	
	Rear Vent Configuration	Top Vent Configuration
A	38 ¹ / ₈ " (968 mm)	38 ¹ / ₈ " (968 mm)
B	43 ¹ / ₄ " (1099 mm)	43 ¹ / ₄ " (1099 mm)
C	24" (610 mm)	24" (610 mm)
D	24" (610 mm)	24" (610 mm)
E	37 ³ / ₈ " (949 mm)	37 ³ / ₈ " (949 mm)
F	35 ⁷ / ₈ " (911 mm)	35 ⁷ / ₈ " (911 mm)
G	30 ¹ / ₂ " (775 mm)	7" (178 mm)
H	12" (305 mm)	12" (305 mm)
I	3 ¹ / ₈ " (80 mm)	3 ¹ / ₈ " (80 mm)
J	2 ³ / ₄ " (70 mm)	2 ³ / ₄ " (70 mm)
K	1 ¹ / ₄ " (33 mm)	1 ¹ / ₄ " (33 mm)

Fireplace Dimensions - 360DVS3 / 306DVSL / 360DVSR

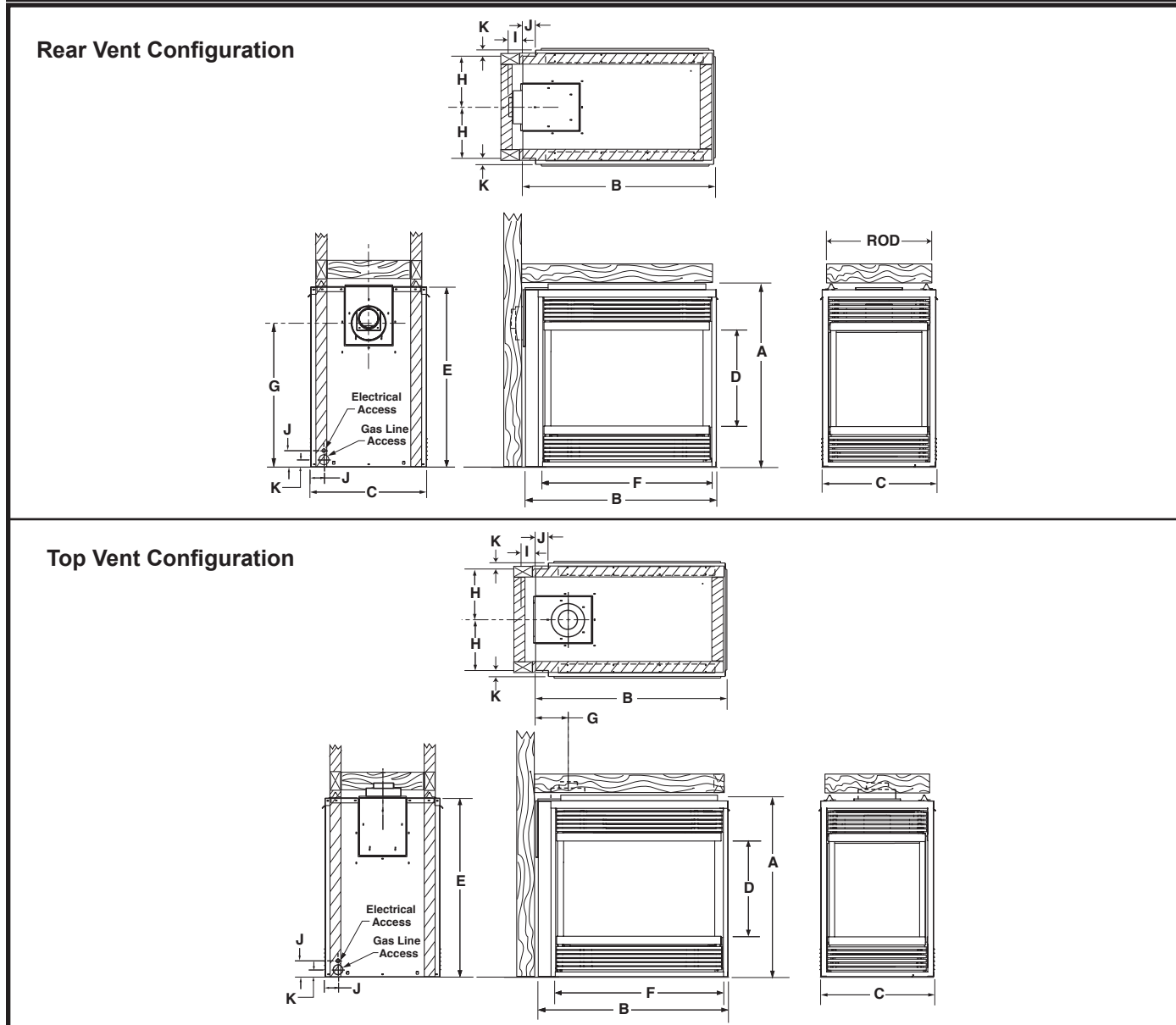


Fig. 1b Fireplace specifications—360DVS3/ 360DDVSL/ 360DVSR

Appliance Dimensions		
Ref.	Rear Vent Configuration	Top Vent Configuration
A	38 ¹ / ₈ " (968 mm)	38 ¹ / ₈ " (968 mm)
B	40 ⁵ / ₈ " (1032 mm)	40 ⁵ / ₈ " (1032 mm)
C	24" (610 mm)	24" (610 mm)
D	24" (610 mm)	24" (610 mm)
E	37 ³ / ₈ " (949 mm)	37 ³ / ₈ " (949 mm)
F	35 ⁷ / ₈ " (911 mm)	35 ⁷ / ₈ " (911 mm)
G	30 ¹ / ₂ " (775 mm)	7" (178 mm)
H	12" (305 mm)	12" (305 mm)
I	3 ¹ / ₈ " (80 mm)	3 ¹ / ₈ " (80 mm)
J	2 ³ / ₄ " (70 mm)	2 ³ / ₄ " (70 mm)
K	1 ¹ / ₄ " (33 mm)	1 ¹ / ₄ " (33 mm)

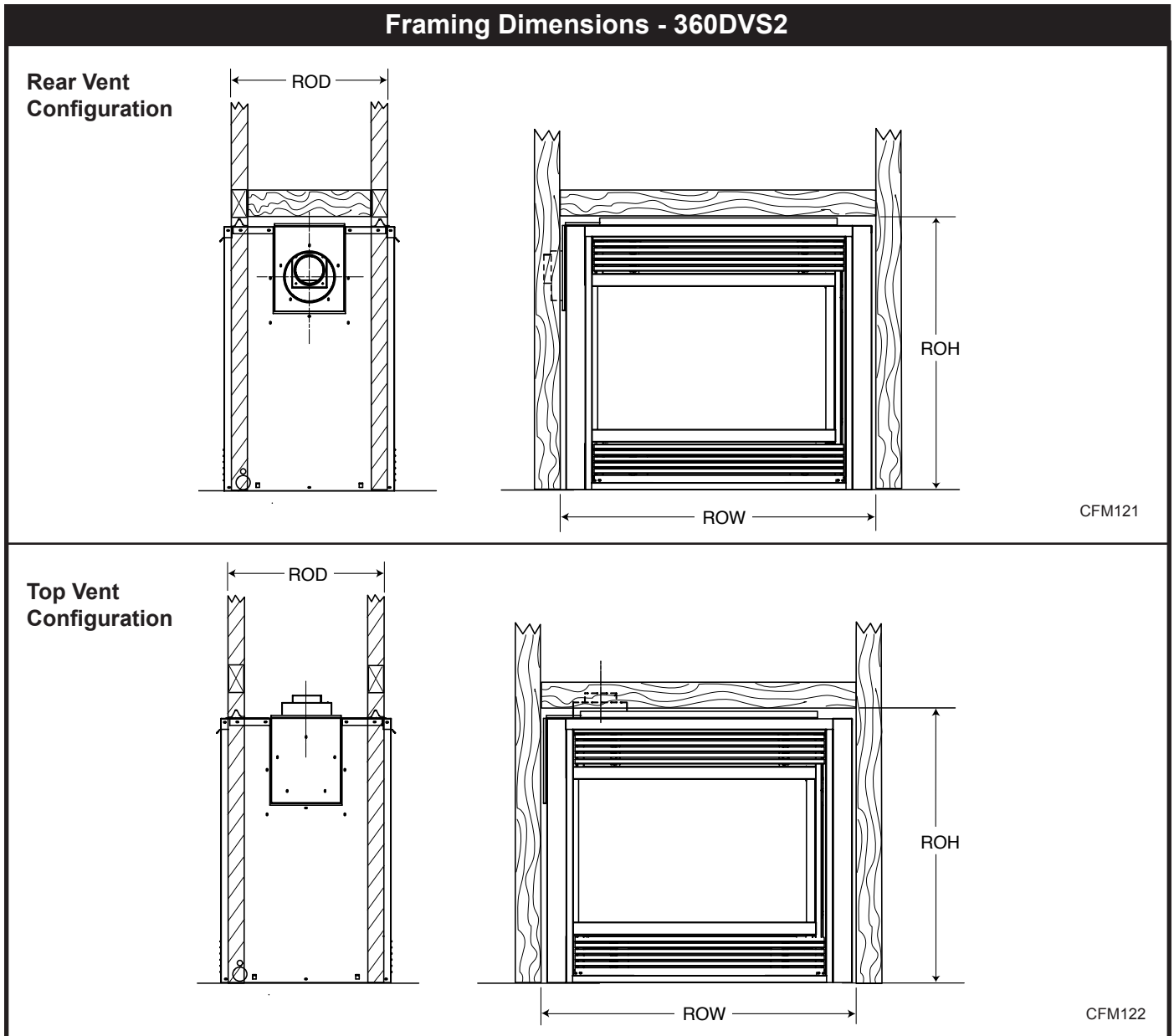
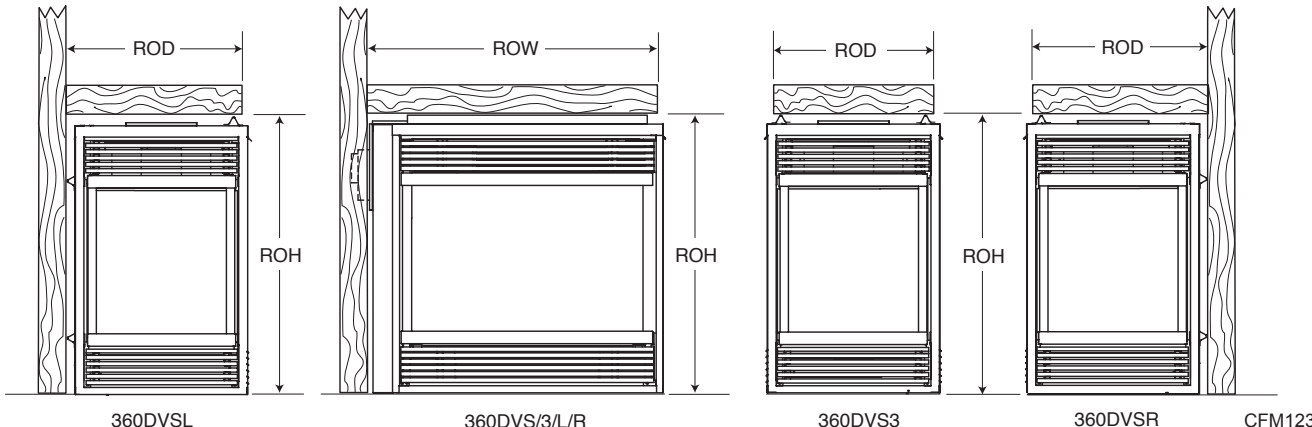


Fig. 2a Fireplace framing dimensions—360DVS2

Framing Dimensions		
Ref.	Rear Vent Configuration	Top Vent Configuration
ROD	24" (610 mm) minus two times finishing material thickness to be even with face of unit.	
ROH	38 ⁵ / ₈ " (981 mm)	Not to be framed until unit is set in place, due to 3 ¹ / ₈ " (79 mm) allowance for flue collar
ROW	Not to be framed until unit is set in place due to 3 ¹ / ₈ " (79 mm) allowance for flue collar	43 ³ / ₄ " (1111 mm)

Framing Dimensions - 360DVS3 / 360DVSL / 360DVSR

Rear Vent Configuration



Top Vent Configuration

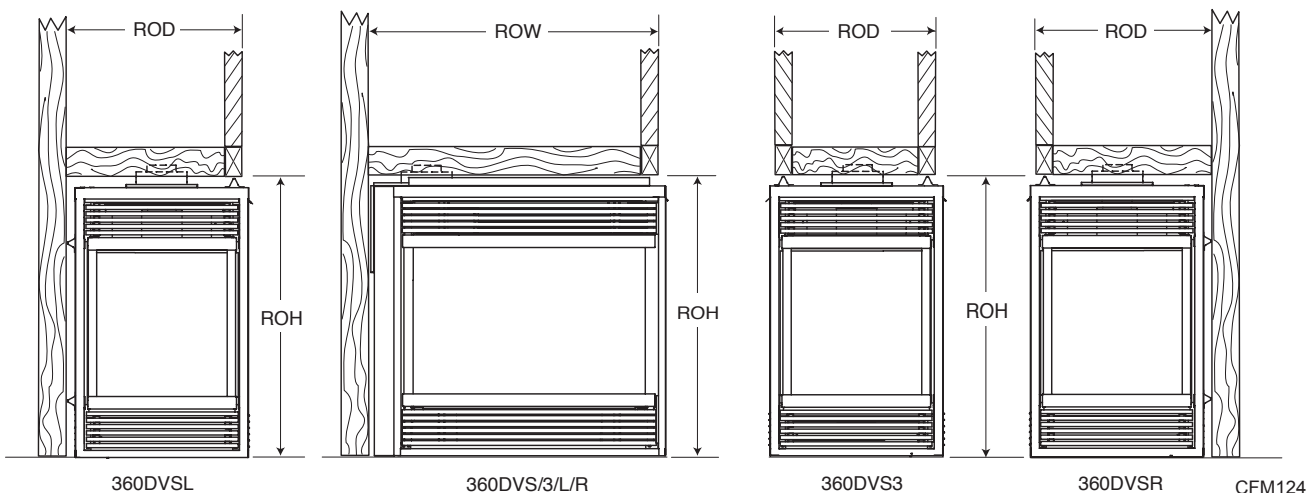


Fig. 2b Fireplace framing dimensions—360DVS3/ 360DVSL/ 360DVSR

Framing Dimensions				
Ref.	Rear Vent Configuration		Top Vent Configuration	
Model	360DVS3	360DVSL/R	360DVS3	360DVSL/R
ROD	(See Note 1)	(See Note 2)	(See Note 1)	(See Note 2)
ROH	38 ⁵ / ₈ " (981 mm)		Not to be framed until unit is set in place, due to 3 ¹ / ₈ " (79 mm) allowance for flue collar	
ROW	40 ⁵ / ₈ " (1032 mm) minus one time (1x) finishing material thickness to be even with face of unit.			

NOTE 1: 24" (610 mm) minus two times (2x) finishing material thickness to be even with face of unit.

NOTE 2: 24³/₄" (629 mm) minus one time (1x) finishing material thickness to be even with face of unit.

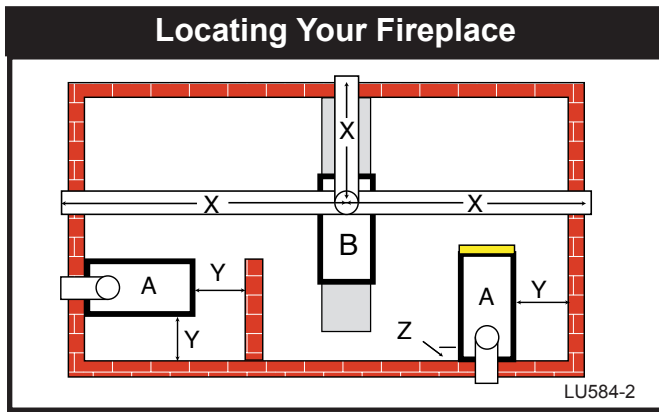


Fig. 3 Locating your gas fireplace

A Wall Location (Fig. 3)

Y (Minimum distance between a glass panel and a parallel wall) = 3' (914mm)

Z (Minimum distance between edge of a glass panel and an adjacent wall) = 3" (76mm)

B Island Location (Fig. 3)

X (Maximum length of horizontal venting) = 20' (6.1m)

Refer to the venting section in this manual for specific dimensions.

Clearance to Combustibles

Top of unit to ceiling..... 36" (914 mm)

Front of unit to combustibles 36" (914 mm)

Appliance

Top0" (0 mm) to standoff

Bottom..... 0" (0 mm)

Vent End 1/2" (13 mm) to rear panel

Nonvent End (DVS2) 0" (0 mm)

Venting

Concentric sections of DV Vent:

Top, bottom & sides 1" (25 mm)

Nonconcentric sections of DV Vent:

Side and bottom..... 1" (25 mm)

Top 2" (51 mm)

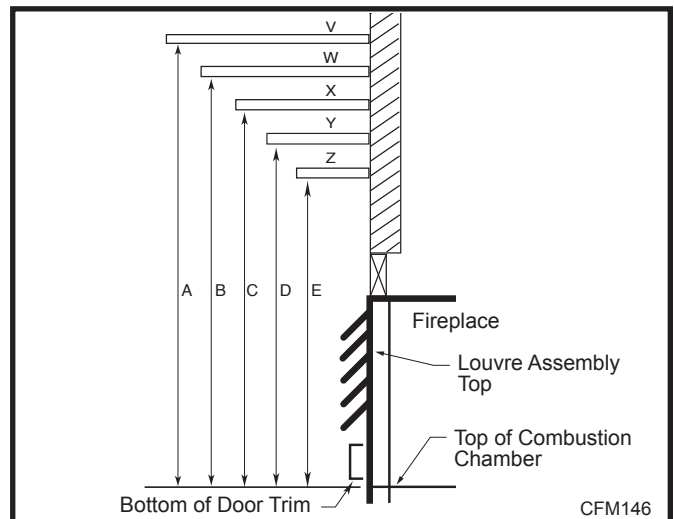
Mantels

The height at which a combustible mantel is fitted above the fireplace is dependent on the depth of the mantel. This also applies to the distance between the mantel leg (if so fitted) and the fireplace. For correct mounting height and width, refer to Fig. 4a and 4b and the Mantel Chart below.

The fitting of a bay window trim kit does not affect the distances and reference points referred to in the diagram and chart.

Noncombustible mantels and legs may be installed at any height and width around the appliance.

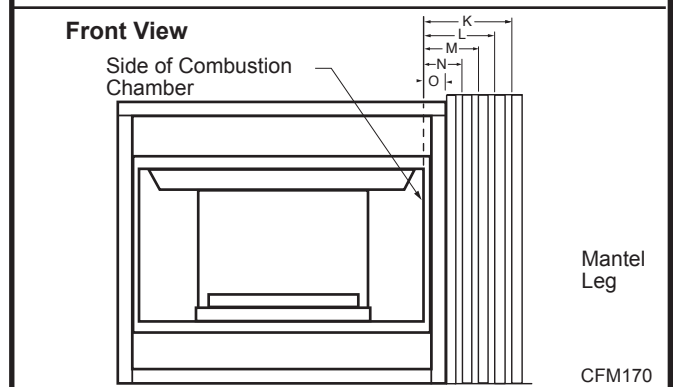
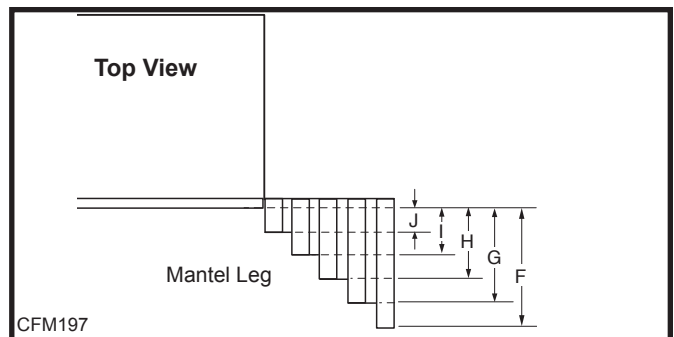
When using paint or lacquer to finish the mantel, such paint or lacquer must be heat resistant to prevent discoloration.



Mantel Chart

Ref.	Mantel Shelf or Breast Plate	Ref.	Mantel from Top of Comb. Chamber
V	10" (254 mm)	A	19" (483 mm)
W	8" (203 mm)	B	17" (432 mm)
X	6" (152 mm)	C	15" (381 mm)
Y	4" (102 mm)	D	13" (330 mm)
Z	2" (51 mm)	E	11" (297 mm)

Fig. 4a Combustible mantel minimum installation.



Ref.	Mantel Leg Depth	Ref.	Mantel Leg From Side of Comb. Opening
F	10" (254 mm)	K	11½" (292 mm)
G	8" (203 mm)	L	9½" (241 mm)
H	6" (152 mm)	M	7½" (191 mm)
I	4" (102 mm)	N	5½" (140 mm)
J	2" (51 mm)	O	3½" (89 mm)

Fig. 4b Combustible mantel leg minimum installation.

Hearth

A hearth is not mandatory; however, for aesthetic purposes, we recommend installing a noncombustible hearth that projects out 12" (305mm) or more from the front of the fireplace.

Cold climate installation recommendation:



When installing this unit against a noninsulated exterior wall or chase, it is mandatory the outer walls be insulated to conform to applicable insulation codes.

Framing & Finishing

1. Choose the unit location.
2. Place the unit into position and secure it to the floor with 1½" (38mm) screws or nails. Holes to secure the unit to the floor are located behind the access door grille on the left and right sides of the unit.
3. Frame in the fireplace with a header across the top. It is important to allow for the finished wall face when setting the depth of the frame.
4. Drywall (sheetrock) or wood material may be placed with a zero clearance to the top edges of the appliance when finishing walls above sides of the appliance with glass windows. **NOTE: Attach wall finishing to constructed frame, not the appliance.**
5. On 360DVSL and 360DVSR, drywall, wood, or wood molding may be placed with zero clearance to the rear wall of the unit, along the vertical edge formed by the standoffs, to intersection of the rear wall, to the side wall having the small glass window. **NOTE: Attach wall finishing to constructed frame, not the appliance.**

Final Finishing

Noncombustible materials such as brick or tile may be extended over the edges of the face of the appliance. DO NOT cover any vent or grille panels.

If a Trim Kit is going to be installed on the fireplace, the brick or tile will have to be installed flush with the edges of the appliance.

Gas Inlet & Manifold Pressures

	Natural	LP (Propane)
Inlet Minimum	4.5" w.c.	11.0" w.c.
Inlet Maximum	14.0" w.c.	14.0" w.c.
Manifold Pressure	3.5" w.c.	10.0" w.c.

Gas Specifications

Model	Fuel	Gas Control	Max. Input BTU/h	Min. Input BTU/h
360DVS2RN	Nat	Millivolt	38,000	26,600
360DVS2RP	Prop	Millivolt	38,000	28,500
360DVS2EN	Nat	24V Hi/Lo	38,000	26,600
360DVS2EP	Prop	24V Hi/Lo	38,000	28,500
360DVS3RN	Nat	Millivolt	38,000	26,600
360DVS3RP	Prop	Millivolt	38,000	28,500
360DVS3EN	Nat	24V Hi/Lo	38,000	26,600
360DVS3EP	Prop	24V Hi/Lo	38,000	28,500
360DVSLRN	Nat	Millivolt	38,000	26,600
360DVSLRP	Prop	Millivolt	38,000	28,500
360DVSRRN	Nat	Millivolt	38,000	26,600
360DVSRRP	Prop	Millivolt	38,000	28,500

Input ratings are shown in BTU per hour and are certified without deration for elevations up to 4,500 feet (1,370 m) above sea level.

For elevations above 4,500 feet (1,370 m) in USA, installations must be in accordance with the current ANSI Z223.1/NFPA 54 and/or local codes having jurisdiction.

In Canada, please consult provincial and/or local authorities having jurisdiction for installations above 4,500 feet (1,370 m).

Gas Line Installation



When purging the gas lines, the window frame assembly must be removed.

The gas pipeline can be brought in through the vent end of the fireplace as well as the bottom. Knockouts (to allow gas pipe installation and testing any gas connection) are provided on the bottom behind the valve. It is most convenient to bring the gas line in from the vent end of the valve, as this allows fan installation or removal without disconnecting the gas line.

The gas line connection can be made with properly tinned 3/8" copper tubing, 3/8" rigid pipe, or an approved flex connector. Since some municipalities have additional local codes, it is always best to consult your local authority and the CSA-B149.1 installation codes.

For USA installations, consult the current National Fuel Gas Code, ANSI Z223.1/NFPA 54.



Always check for gas leaks with a mild soap and water solution. Do not use an open flame for leak testing.

The gas control is equipped with a captured-screw type pressure test point, therefore it is not necessary to provide a 1/8" test point upstream of the control.

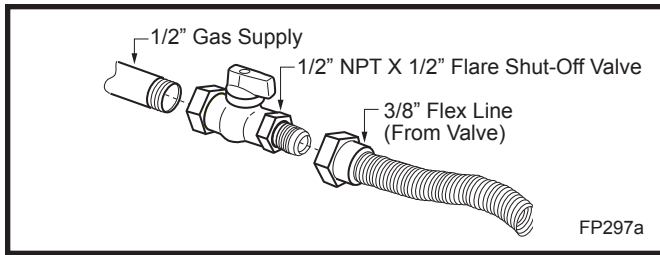


Fig. 5 Gas shutoff valve and flex connector.

When using copper or flex connector, use only approved fittings. Always provide a union when using black iron pipe so that the gas line can be easily disconnected for burner or fan servicing. Refer to the gas specification for pressure details and ratings.

Isolate or disconnect this or any other gas appliance control from the gas line when pressure testing.



DO NOT subject the fireplace valve to test pressures exceeding 1/2 psi.

EB-1 Electrical Junction Box Connection



The fireplace, when installed, must be electrically connected and grounded in accordance with local codes; in the absence of local codes, use the current CSA C22.1 Canadian Electrical Code.



For USA installations, follow the local codes and National Electrical Code ANSI/NFPA No. 70.



It is strongly suggested the wiring of the EB-1 Electrical Junction Box be carried out by a licensed electrician.



Ensure power to the supply line has been disconnected before commencing with this procedure.

The EB-1 electrical junction box has been supplied standard on this model to allow for easy connection of the optional fan kits. (Fig. 6)

To connect the EB-1 box to the house electrical supply follow the steps below.

1. Remove the front cover of the EB-1 box.
2. Remove the plug socket assembly from the EB-1 box.
3. Feed the supply line in from the out through the electrical knockout.
4. Connect the ground wire of the supply line to the green screw of the socket assembly.
5. Connect the white wire of the power line to the chrome screw of the socket assembly.
6. Connect the black wire of the power supply line to the brass screw (polarized) of the socket assembly.

7. Refit the socket assembly back into the electrical box and replace the cover plate.
8. The EB-1 electrical junction box is now ready to supply power to the FK12 or FK24 fan kit, if used.

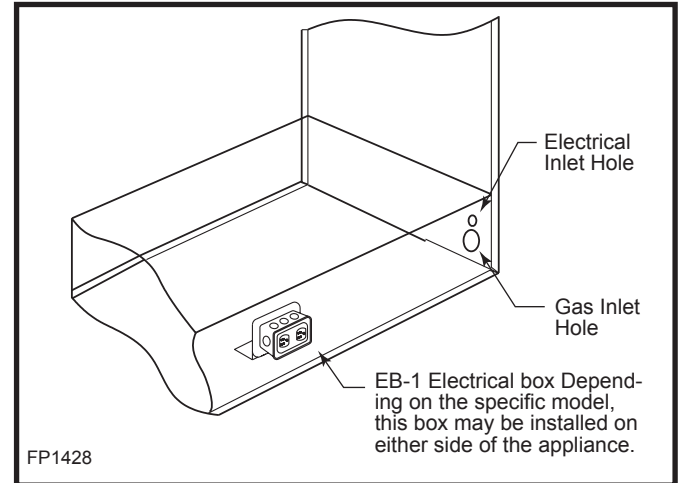


Fig. 6 EB-1 attachment.

Remote ON/OFF Switch Installation



Do not wire the remote ON/OFF wall switch for this gas appliance into a 120V power supply.

1. Thread the wiring through the holes on the end panels of the appliance. Take care not to cut the wire or insulation on metal edges. Route the wire to a conveniently located receptacle box.
2. Attach the wire to the ON/OFF switch and install the switch into the receptacle box.
3. Connect the other ends of the wire to the gas control valve, as shown in Figure 7.

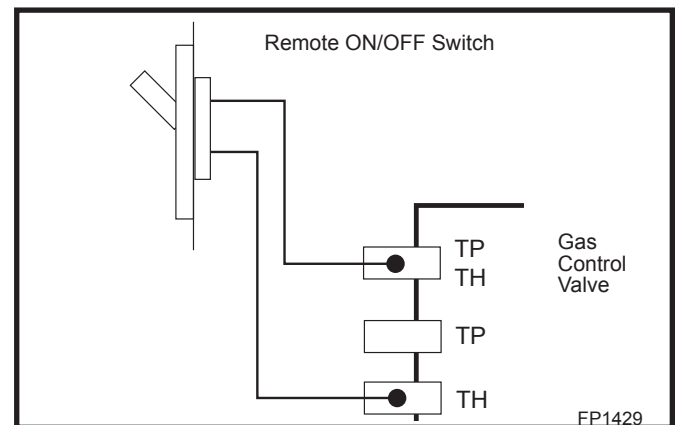


Fig. 7 Remote switch wiring diagram for R models.

Alternate Switch Location

The remote switch can be installed on the front or the side of the access door. Simply mount the switch to the bracket provided and screw the bracket to either side of the frame, lining up the screws with the prepunched holes. (Fig. 8)

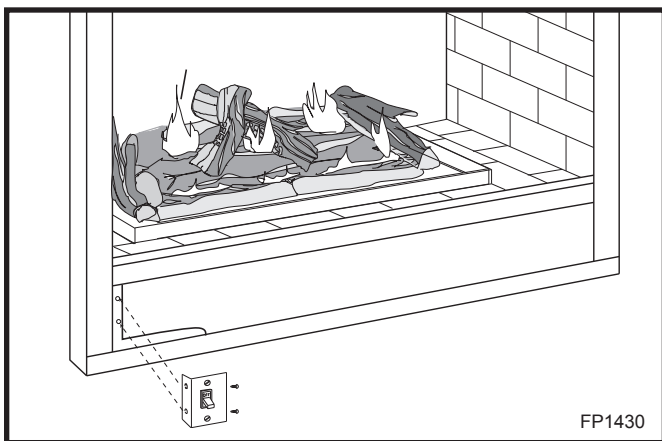


Fig. 8 Alternate switch location.

Optional Top Vent Application

This appliance is shipped as a rear vent unit. If the installation layout requires the unit to be a top vent configuration, the appliance can be converted by following the steps below.



When removing and refitting the plates and adapter, be sure the associated gasket is undamaged and refitted as required.

1. Remove the ten (10) screws securing the outer collar adapter to the fireplace body. (Fig. 9)
2. Set the collar aside, complete with the gasket.
NOTE: Do not damage the gasket, as the adapter and gasket must be refitted.
3. Remove the insulation material (exposed in Step 2) from the top of the unit. (Fig. 10) This material can be discarded; however, if the unit is converted back to rear-vent, a new piece of insulation material approved by CFM Corporation must be used for this purpose.
NOTE: When converting appliance to top vent, ensure the insulation material referred to in step 3 is completely removed.
4. Remove the 4 screws securing the flue cover plate to the top of the intake box and remove the cover and gasket. (Fig. 11)
5. Remove 4 screws securing the flue pipe to back of the intake box and remove pipe and gasket. (Fig. 11)
6. Secure the plate and gasket removed in step 4 over the flue opening in the back of the intake box. Ensure the gasket is in place and undamaged.
7. Install the flue pipe and gasket removed in step 5 over the flue opening in the top of the intake box.
8. Refit the outer collar adapter and gasket to the unit with the round collar on the top. Secure the adapter with the 10 screws removed in step 1.

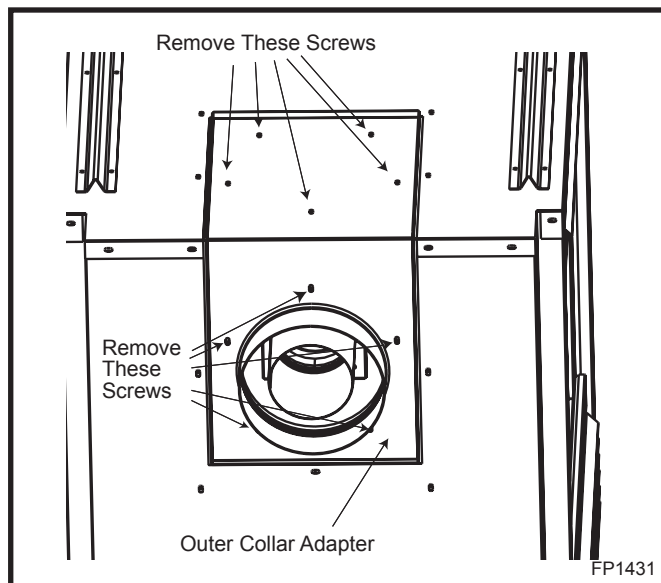


Fig. 9 Remove screws from outer collar adapter.

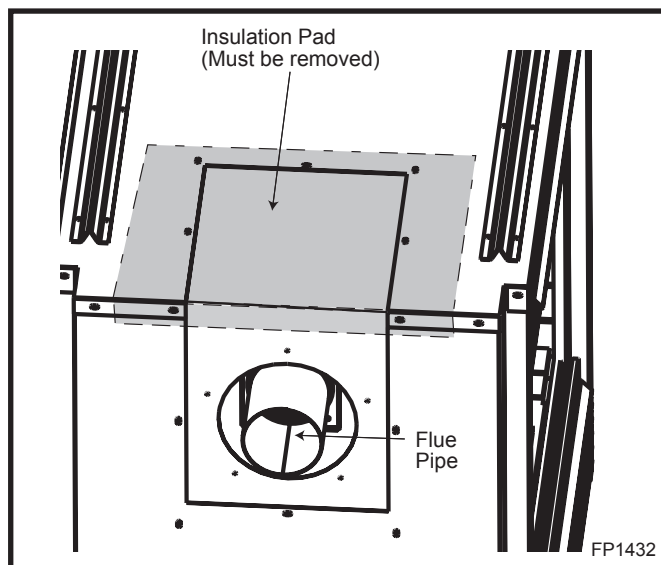


Fig. 10 Remove flue cover and pipe.

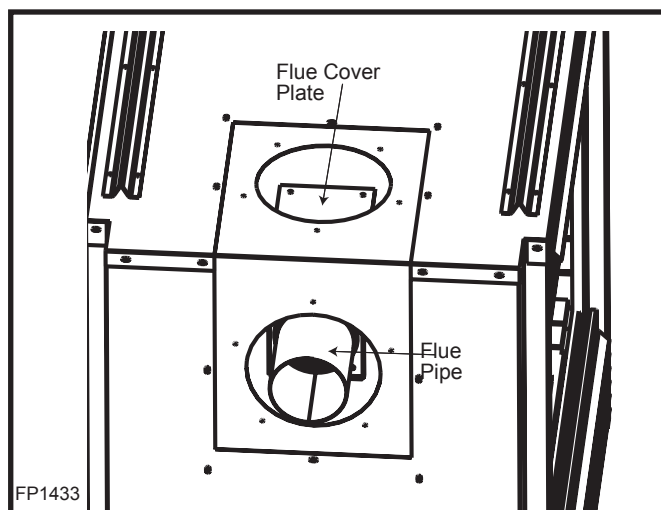


Fig. 11 Flue pipe removal.

Electronic Gas Control Valve

This appliance may be fitted with a Honeywell ignition module.

Installation of the remote ON/OFF starter switch on electronic ignition units (Fig. 12):

1. Thread the wiring through the holes on the side panels of the appliance. Take care not to cut the wire or insulation on metal edges. Route the wire to a conveniently located receptacle box.
2. Attach the wire to the ON/OFF switch and install the switch into the receptacle box.
3. Connect the white wire from the wall switch to the black wire from the transformer, using an approved wire nut. Connect the black wire from the wall switch to the black wire running from the #6 position of the ignition module, also using an approved wire nut.

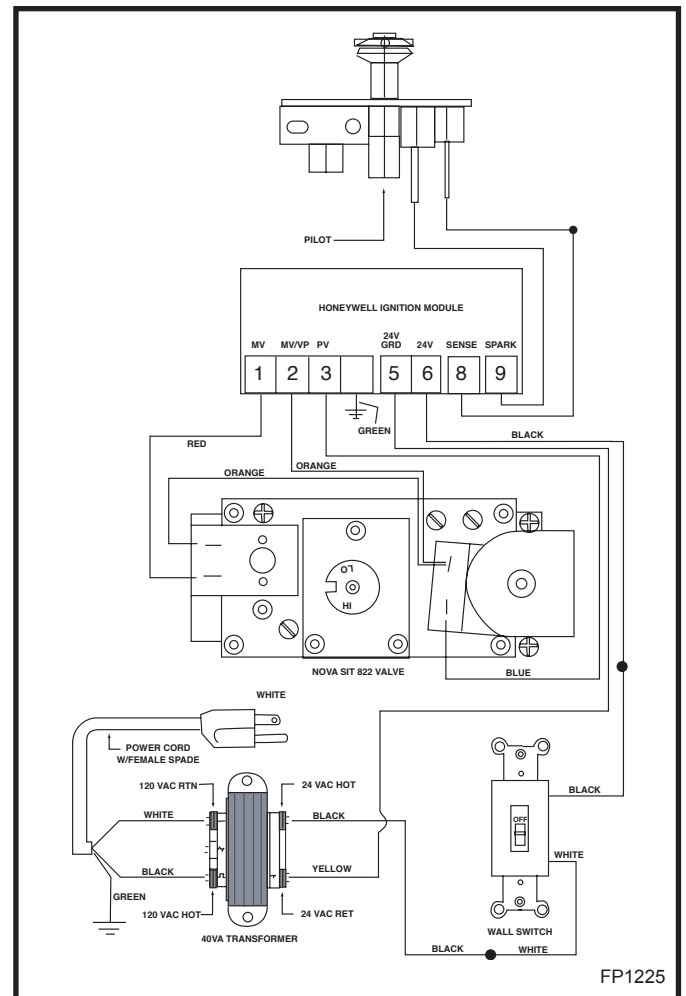


Fig. 12 Honeywell ignition module.

General Venting

Your fireplace is approved to be vented either through the side wall, or vertically through the roof.

- Only CFM Corporation venting components, specifically approved and labeled for this fireplace, may be used.
- Venting terminals shall not be recessed into a wall or siding.
- Horizontal venting must be installed on a level plane without an inclining or declining slope.

There must not be any obstruction such as bushes,

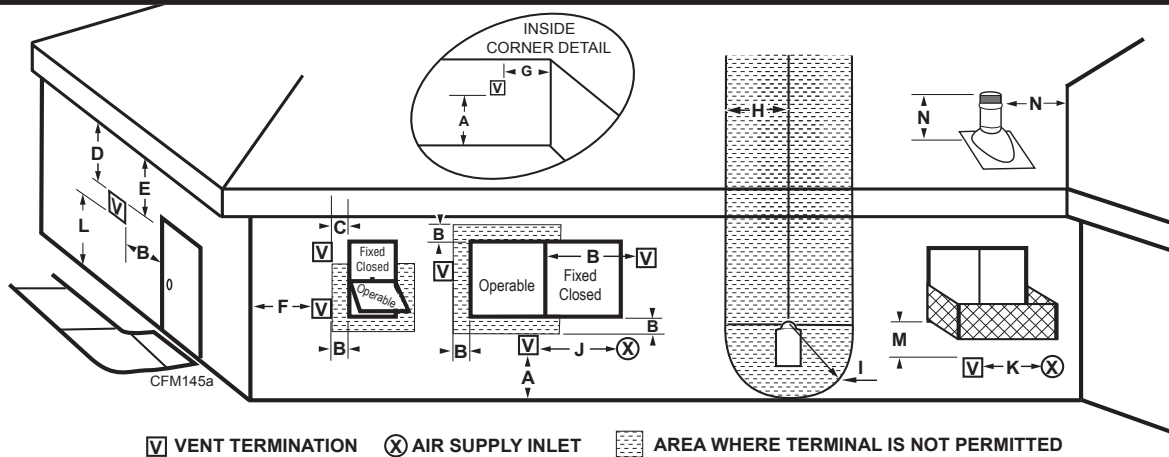
garden shed, fencing, deck or utility building within 24" (610mm) from the front of the termination hood.

Do not locate the termination hood where excessive snow or ice buildup may occur. Be sure to check the vent termination area after snow falls; clear it to prevent accidental blockage of the venting system. When using a snow blower, make sure snow is not directed toward the vent termination area.

Location of Vent Termination

It is imperative the vent termination be located observing minimum clearances as shown on the following page.

General Venting Information - Termination Location



Canadian Installations¹

US Installations²

	Canadian Installations ¹	US Installations ²
A = Clearance above grade, veranda, porch, deck, or balcony	12" (30cm)	12" (30cm)
B = Clearance to window or door that may be opened	6" (15cm) for appliances < 10,000Btuh (3kW), 12" (30cm) for appliances > 10,000 Btuh (3kW) and < 100,000 Btuh (30kW), 36" (91cm) for appliances > 100,000 Btuh (30kW)	6" (15cm) for appliances < 10,000 Btuh (3kW), 9" (23cm) for appliances > 10,000 Btuh (3kW) and < 50,000 Btuh (15kW), 12" (30cm) for appliances > 50,000 Btuh (15kW)
C = Clearance to permanently closed window	12" (305mm) recommended to prevent window condensation	12" (305mm) recommended to prevent window condensation
D = Vertical clearance to ventilated soffit located above the terminal within a horizontal distance of 2' (610mm) from the center line of the terminal	18" (458mm)	18" (458mm)
E = Clearance to unventilated soffit	12" (305mm)	12" (305mm)
F = Clearance to outside corner	see next page	see next page
G = Clearance to inside corner (see next page)	see next page	see next page
H = Clearance to each inside of center line extended above meter/regulator assembly	3' (91cm) within a height of 15' (5m) above the meter/regulator assembly	3' (91cm) within a height of 15' (5m) above the meter/regulator assy
I = Clearance to service regulator vent outlet	3' (91cm)	3' (91cm)
J = Clearance to nonmechanical air supply inlet to building or the combustion air inlet to any other appliances	6" (15cm) for appliances < 10,000 Btuh (3kW), 12" (30cm) for appliances > 10,000 Btuh (3kW) and < 100,000 Btuh (30kW), 36" (91cm) for appliances > 100,000 Btuh (30kW)	6" (15cm) for appliances < 10,000 Btuh (3kW), 9" (23cm) for appliances > 10,000 Btuh (3kW) and < 50,000 Btuh (15kW), 12" (30cm) for appliances > 50,000 Btuh (15kW)
K = Clearance to a mechanical air supply inlet	6' (1.83m)	3' (91cm) above if within 10 feet (3m) horizontally
L = Clearance above paved sidewalk or paved driveway located on public property	7' (2.13m)†	7' (2.13m)†
M = Clearance under veranda, porch, deck or balcony	12" (30cm)‡	12" (30cm)‡
N = Clearance above a roof shall extend a minimum of 24" (610mm) above the highest point when it passes through the roof surface, and any other obstruction within a horizontal distance of 18" (450mm).		

1 In accordance with the current CSA-B149 Installation Codes

2 In accordance with the current ANSI Z223.1/NFPA 54 National Fuel Gas Codes

† A vent shall not terminate directly above a sidewalk or paved driveway which is located between two single family dwellings and serves both dwellings

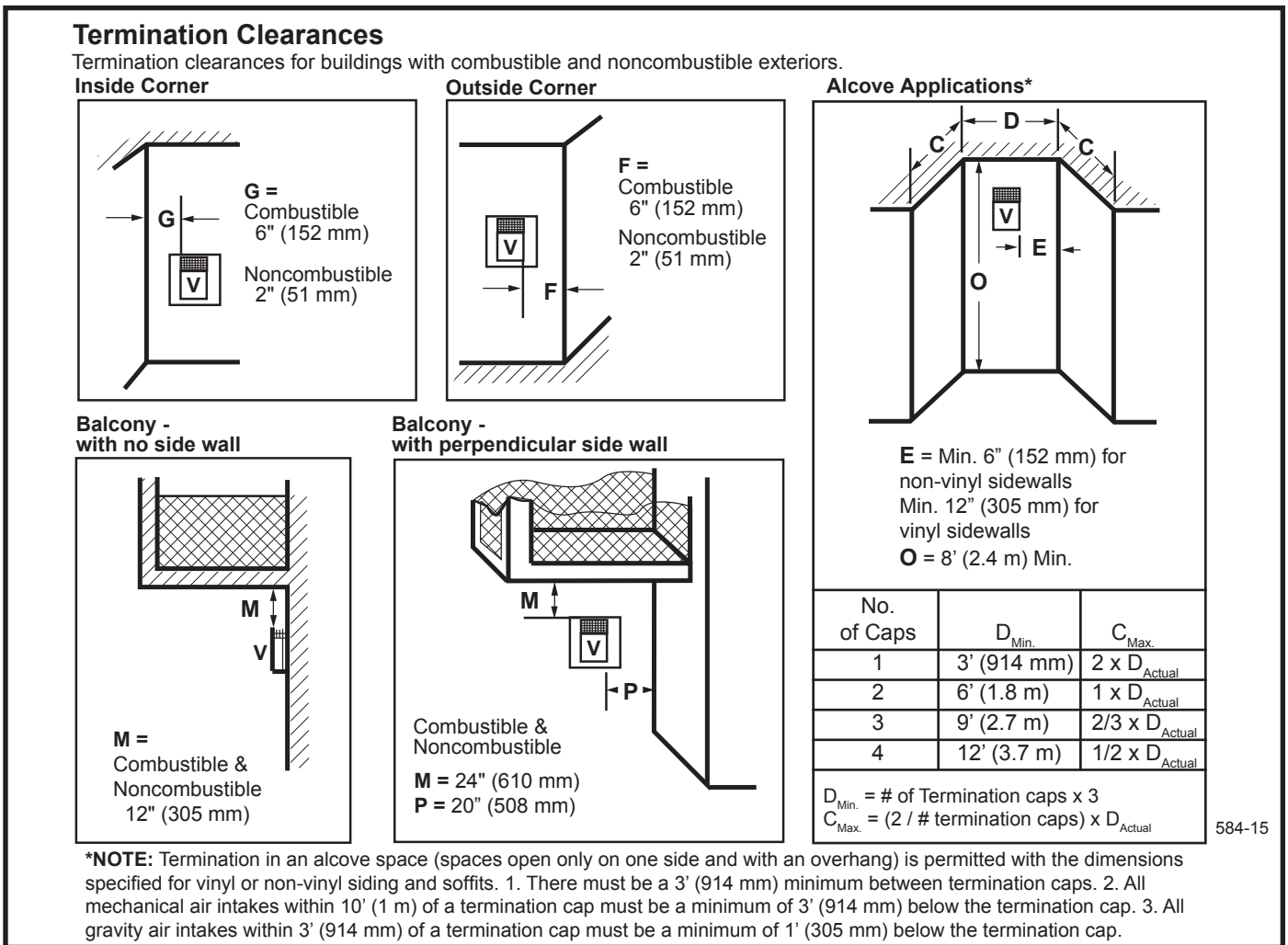
‡ only permitted if veranda, porch, deck or balcony is fully open on a minimum 2 sides beneath the floor:

NOTE: 1. Local codes or regulations may require different clearances.

2. The special venting system used on Direct Vent Fireplaces are certified as part of the appliance, with clearances tested and approved by the listing agency.

3. CFM Corporation assumes no responsibility for the improper performance of the appliance when the venting system does not meet these requirements.

Fig. 13 Vent termination clearances.



584-15

Fig. 14 Termination clearances.

General Information Assembling Vent Pipes

Canadian Installations:

Venting system must be installed in accordance with the current CSA-B149.1 installation code.

USA Installations:

The venting system must conform with local codes and/or current National Fuel Gas Code ANSI Z223.1/NFPA 54.

Only venting components manufactured by CFM Corporation can be used in Direct Vent systems.

Twist Lock Pipes

When using twist-lock pipe, it is not necessary to use sealant on the joints. The only areas of the venting system that need to be sealed with high-temperature silicone sealant are the sliding joints of telescopic vent sections used in the system.

To join the twist lock pipes together, align the beads of the male end with the grooves of the female end. While bringing the pipes together, twist the pipe until the flange on the female end contacts the external flange on the male end. It is recommended that you secure the joints with three (3) sheet metal screws; however, this is not mandatory with twist lock pipe.

NOTE: For ease of assembly, use a lubricant (Vaseline or similar substance) on male end of twist lock pipe prior to assembly.

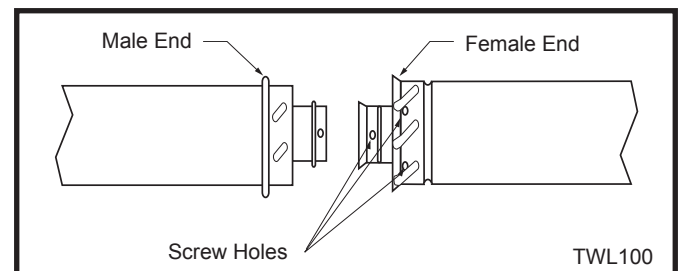


Fig. 15 Twist lock pipe joints.

How to Use the Vent Graph

The vent chart should be read in conjunction with the following vent installation instructions to determine the relationship of the vertical and horizontal dimensions of the vent system.

1. Determine the height of the center of the horizontal vent pipe exiting through the outer wall. Using this dimension on the Sidewall Vent Graph below, locate the point intersecting with slanted graph line.
2. From the point of this intersection, draw a vertical line to the bottom of the graph.
3. Select the indicated dimension, and position the fireplace in accordance with same.

Example A:

If vertical dimension from floor of the fireplace is 11' (3.4 m), horizontal run to the face of outer wall must not exceed 14' (4.3 m).

Example B:

If vertical dimension from floor of the unit is 7' (2.14 m), horizontal run to the face of outer wall must not exceed 8½' (2.6 m).

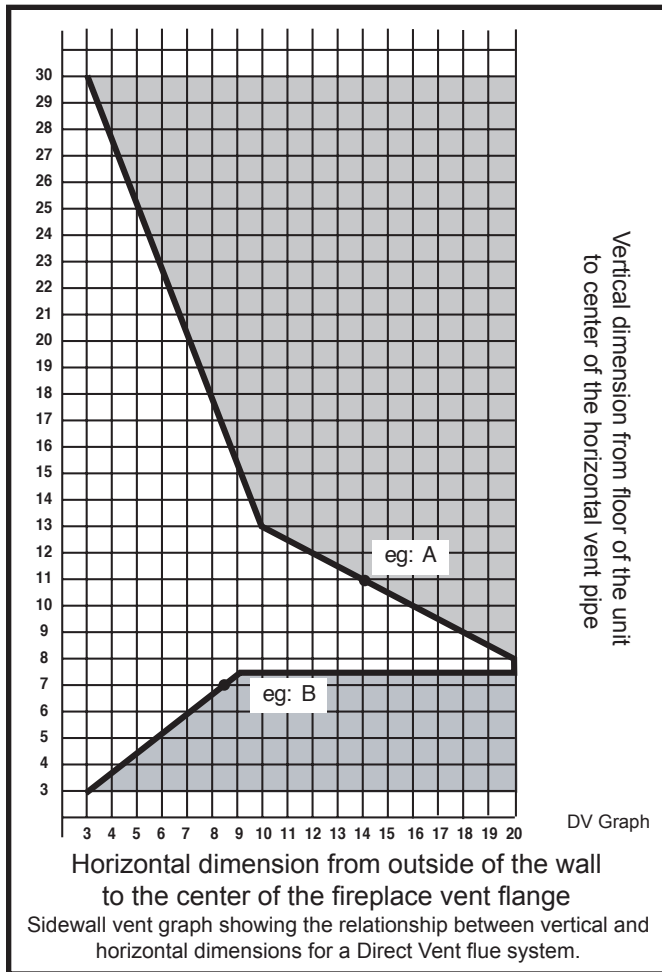


Fig. 16 Sidewall vent graph.

Rear Wall Application

When installed as a rear vent unit this appliance may be vented directly to a termination located on the rear wall behind the appliance.

- Specific rear vent starter kits must be used in these applications (see 'venting components'). The appliance has been approved for installation flat against a rear wall. (Fig. 17)
- Maximum horizontal distance between the rear of the appliance and the outside face of the rear wall is 20" (508 mm). (Fig. 17)
- Minimum clearances between any combustible material and the vent pipe sections are:

Top	2" (51 mm)
Sides	1" (25 mm)
Bottom	1" (25 mm)

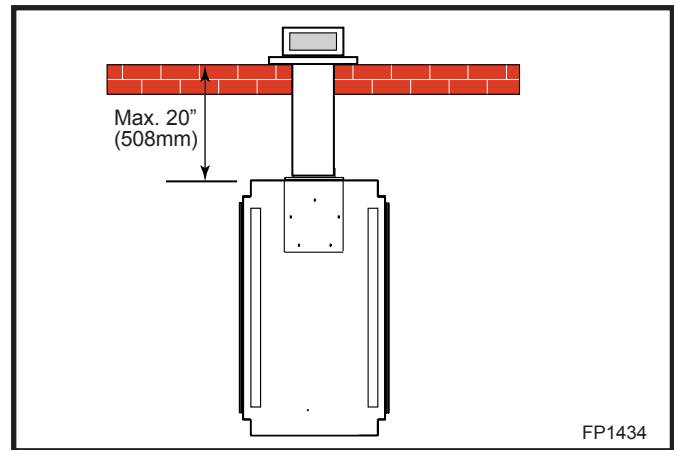


Fig. 17 Rear vent application.

Rear Wall Installation

Step 1

Locate and cut vent opening in the rear wall.

Combustible walls: Cut a rectangular hole measuring 10⅜" H x 9⅜" W (265 x 240 mm) through the exterior wall and frame. Frame in the opening per Figure 18.

Noncombustible walls: Cut a round hole measuring 7½" (190 mm) diameter through the exterior wall and frame. (Fig. 18)

STEP 2

For combustible walls: Measure wall thickness and cut zero clearance sleeve parts to proper length. Max. length is 12" (305 mm). Assemble sleeve to its maximum opening of 10⅜" x 9⅜" (265 x 240 mm), and attach to firestop with #8 sheetmetal screws (supplied). Install firestop assembly. (Fig. 19)

NOTE: Zero clearance sleeve is required only for combustible walls.

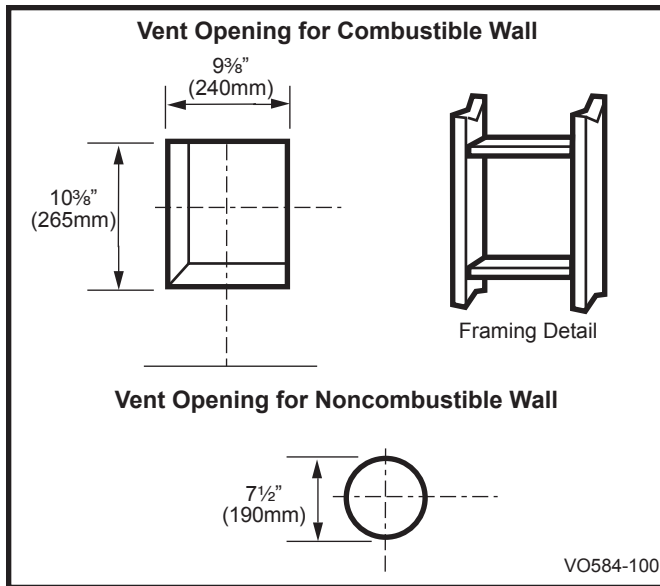


Fig. 18 Locate vent opening on rear wall.

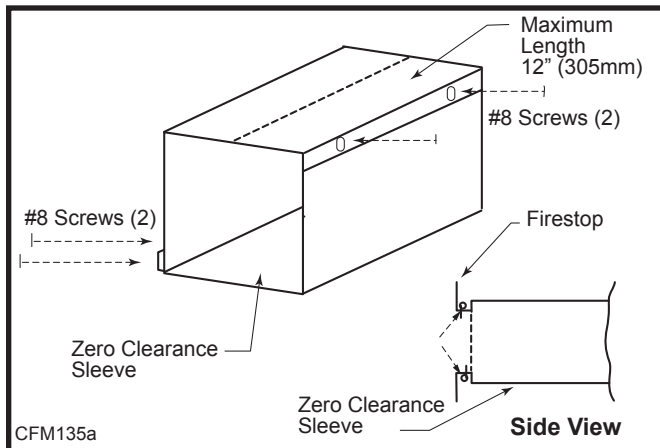


Fig. 19 Adjustable zero clearance sleeve.

STEP 3

Measure the horizontal length requirement for the venting including a 2" (51 mm) overlap, i.e. from the elbow to the outside wall face plus 2" (51 mm), or the distance required if installing a second 90° elbow. (Fig. 20)

STEP 4

Install the 4" (102 mm) vent to the appliance collar and secure with three (3) sheetmetal screws. Install the 7" (178 mm) vent pipe to the appliance collar and secure with three (3) sheetmetal screws. It is not necessary to seal this connection.



It is critical there be no downward slope away from the appliance when connecting the vent or elbow.

STEP 5

Guide vent through the vent hole as you place the appliance in its installed position. Guide the 4" (102 mm) and 7" (178 mm) collars of the vent termination into the outer ends of the venting.

Do not force the termination. If the vent pipes do not align with the termination, remove and realign the venting at the appliance flue collars.

Attach the termination to the wall as outlined in the instruction sheet supplied with the termination.

Vertical Sidewall Application

It is very important the venting system maintain its balance between the combustion air intake and the flue gas exhaust, certain limitations concerning vent configurations must be strictly adhered to.

- The vent graph (Fig. 16), showing relationship between vertical and horizontal side wall venting, will help determine allowable dimensions.
- Minimum clearance between vent pipes and combustible materials is 1" (25 mm) on top, bottom, and sides, unless otherwise noted.
- When the vent termination exits through foundations less than 20" (508 mm) below siding outcrop, the vent pipe must flush up with the siding.
- It is best to locate the fireplace in such a way that minimizes the number of offsets and horizontal vent length. The horizontal vent run refers to the total length of vent pipe from the flue collar of the fireplace to the face of the outer wall.

NOTE: When installing the appliance as a rear vent unit, the 90° transition elbow attached directly to the rear of the unit is not included in the following criteria and calculations. Unless it is specifically mentioned, this elbow should be ignored when calculating venting layouts.

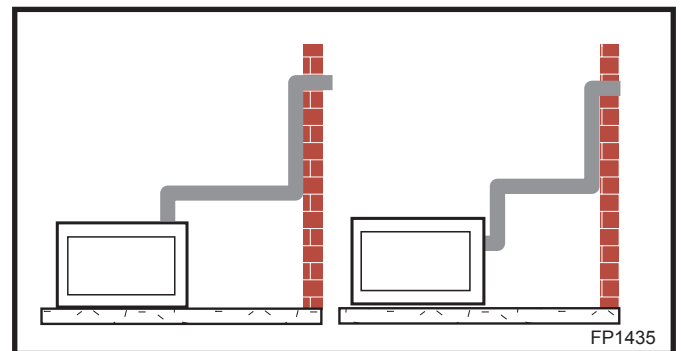


Fig. 20 Maximum three (3) 90° elbows per installation.

Horizontal plane means no vertical rise exists on this portion of the vent assembly.

- The maximum number of 90° elbows per side wall installation is three (3).
- If a 90° elbow is fitted directly on top of the fireplace flange, the maximum horizontal vent run before the termination or a vertical rise is 36" (914mm).

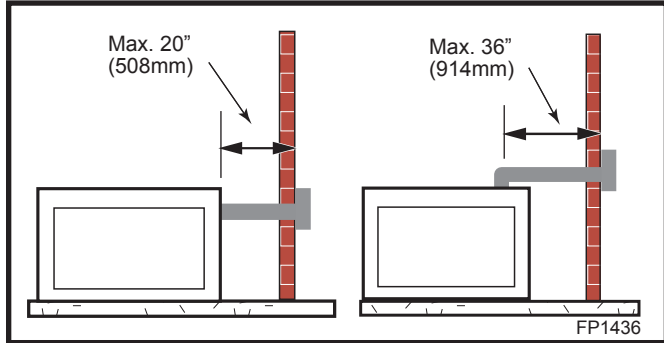


Fig. 21 Maximum horizontal run w/no rise.

- If a 90° elbow is used in the horizontal vent run (level height maintained), the maximum horizontal vent length is reduced by 36" (914 mm). (Fig. 21) This does not apply if the 90° elbows are used to increase or redirect a vertical rise.
Example: According to the vent graph (Fig. 16), the maximum horizontal vent length in a system with a 7½" (191mm) vertical rise is 20 ft. (6.1m), but if a 90° is required in the horizontal vent, it must be reduced to 17 ft. (5.2m).
NOTE: The sum of Dim. A and Dim. B must not be greater than 17 ft. (5.2m). (Fig. 22)

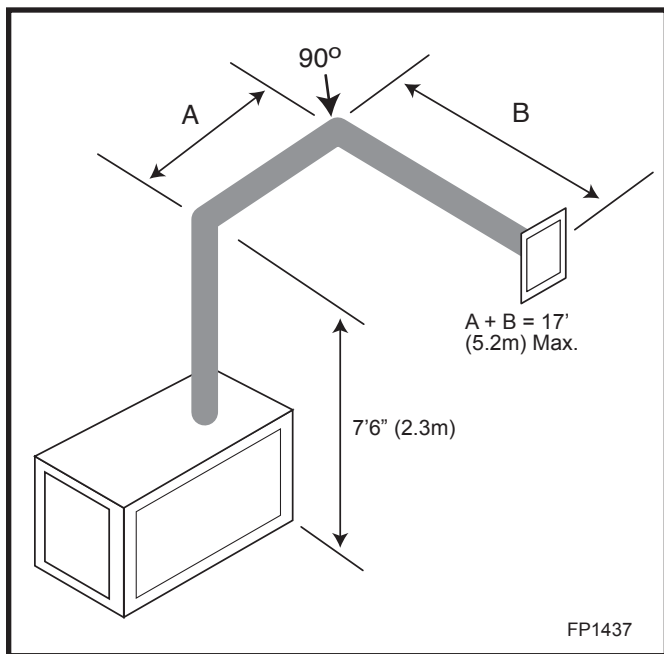


Fig. 22 Horizontal run reduction.

- The maximum number of 45° elbows permitted per side wall installation is two (2). These elbows can be installed in either the vertical or horizontal run.
- For each 45° elbow installed in the horizontal run, the length of the horizontal run **MUST** be reduced by 18" (45 cm). This does not apply if 45° elbows are installed on the vertical part of the vent system.
- The maximum number of elbow degrees in a system is 270°. Example shown in Figure 23:

- Elbow 1 = 90°
- Elbow 2 = 45°
- Elbow 3 = 45°
- Elbow 4 = 90°

Total angular variation = 270°

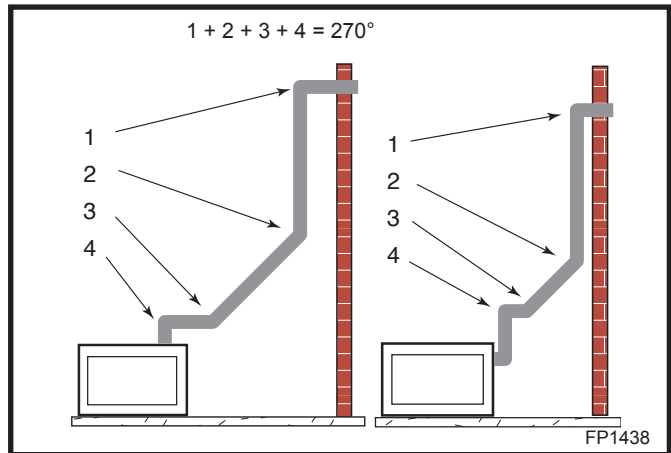


Fig. 23 Maximum elbow usage.

Vertical Side Wall Installation

STEP 1

Locate and cut vent opening in the side wall. It may be necessary to first position the fireplace and measure to obtain the hole location. Depending on whether the wall is combustible or noncombustible, cut the opening to size per Figure 24.

Combustible walls: Cut a rectangular hole measuring 9⅜" H x 9⅜" W (240 x 240mm) through the exterior wall and frame. Frame in the opening per Figure 24.

Noncombustible walls: Cut a round hole measuring 7½" (190 mm) diameter through the exterior wall and frame. (Fig. 24)

STEP 2

For combustible walls: Measure wall thickness and cut zero clearance sleeve parts to proper length. Max. length is 12" (305mm). Assemble the sleeve and attach it to the firestop with #8 sheet metal screws (supplied). Install the firestop assembly. (Fig. 25)



Zero clearance sleeve is required only for combustible walls.

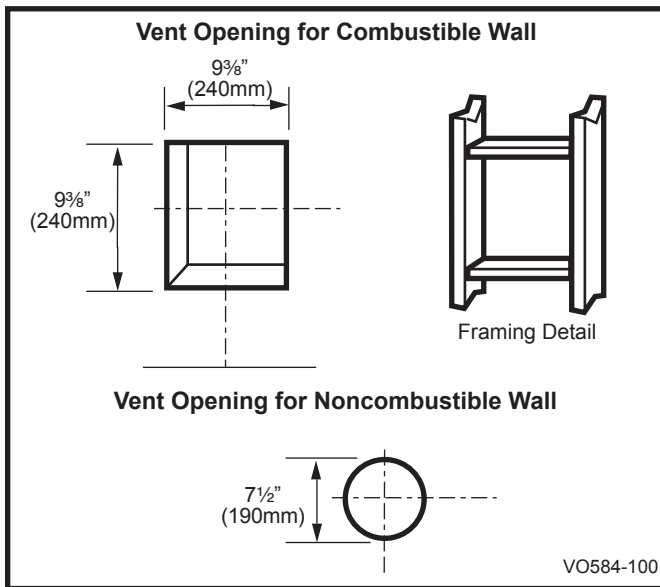


Fig. 24 Locate vent opening on rear wall.

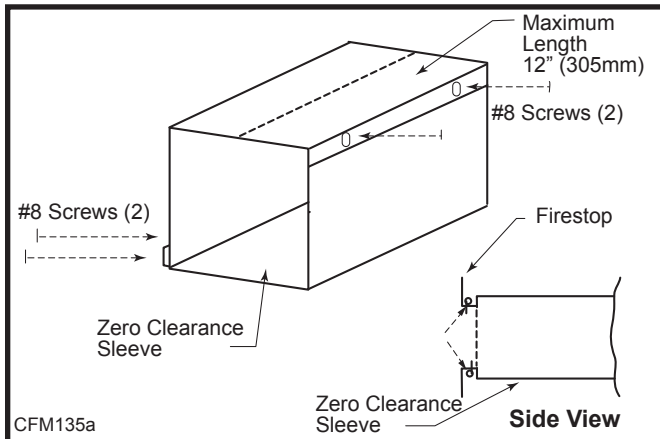


Fig. 25 Adjustable zero clearance sleeve.

STEP 3

Place fireplace into position. (Fig. 26) Measure the vertical height (X) required from the base of the flue collars to the center of the wall opening.

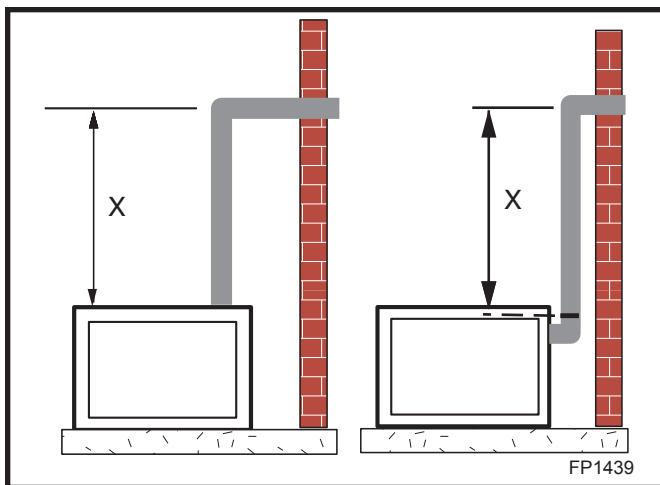


Fig. 26 Vertical height requirement.

STEP 4

Apply a bead of silicone to the inner and outer flue collars of the fireplace and using appropriate length of pipe section(s) attach to fireplace with three (3) screws. Follow with the installation of the inner and outer elbow, again secure joints as described in "Connecting Vent Pipes" section.

STEP 5

Measure the horizontal length requirement including a 2" (51 mm) overlap, i.e. from the elbow to the outside wall face plus 2" (51 mm) (or the distance required if installing a second 90° elbow. (Fig. 27)



Always install horizontal venting on a level plane.

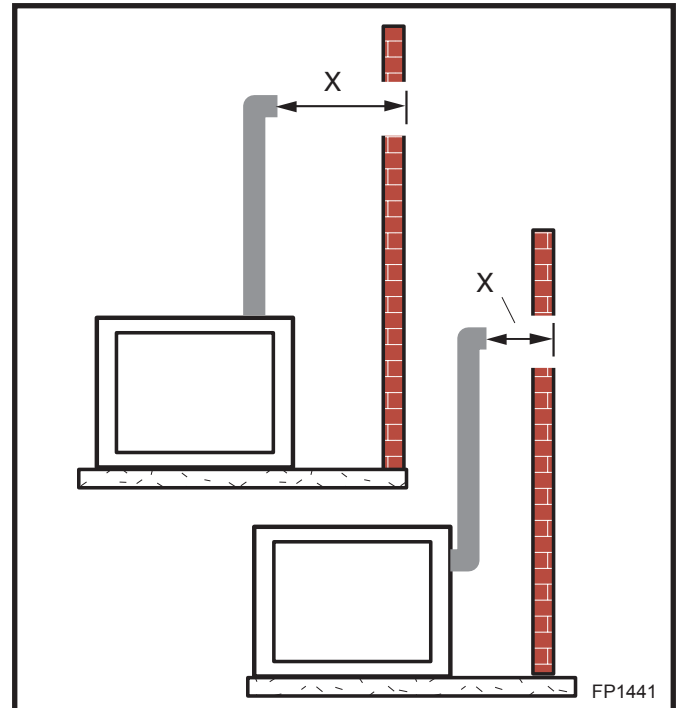


Fig. 27 Horizontal length requirement.

STEP 6

Use appropriate length of pipe section—telescopic or fixed—and install. The 20" (508 mm) section of pipe which goes through the wall is packaged with the 7DVSK starter kit, and can be cut to suit if necessary.

Seal vent pipe and firestop gaps with high temperature sealant to restrict cold air being drawn in around the fireplace.


STEP 7

Apply high temperature sealant to 4" (102 mm) and 7" (178 mm) collars, or to the termination 1" (25 mm) away from the crimped end. Guide 4" and 7" collars of vent terminations into respective vent pipes. Double check vent pipes to see that they overlap the collars by

2" (51 mm). Secure termination to the wall with screws provided, and caulk around the wall plate to weather-proof.

One alternative to screwing the termination directly to the wall is the use of expanding plugs or an approved exterior construction adhesive.

Or, you may attach the termination with screws through the inner body into the 4" (102 mm) vent pipe; however, for this method, you must extend the 4" (102mm) pipe approximately 6" (153 mm) beyond the outer face of the wall.

 **Support the horizontal pipes with metal pipe straps every 36" (914mm).**

Below Grade Installation

When it is not possible to meet required vent terminal clearances of 12" (305 mm) above grade level, we recommend using a starter kit. It allows installation depth down to 7" (178 mm) below grade level. Measure 7" (178 mm) from the center of the horizontal vent pipe as it penetrates through the wall.

NOTE: Ensure sidewall venting clearances are observed. If venting system is installed below ground, we recommend a window well with adequate and proper drainage.

If installing a snorkel, a minimum 24" (610 mm) vertical rise is necessary. The maximum horizontal run with 24" (610 mm) vertical pipe is 36" (914mm). The measurement is taken from the collar of the fireplace (or transition elbow) to the face of exterior wall. See sidewall vent graph, Page 15, for extended horizontal runs if the vertical exceeds 24" (610 mm).

1. Establish vent hole through the wall. (Fig. 24)
2. Remove soil to depth of about 16" (406 mm) below base of snorkel. Install window well (not supplied). Refill hole with 12" (305 mm) of coarse gravel, leaving a clearance of about 4" (102 mm) below snorkel. (Fig. 28)
3. Install vent system.
4. Ensure a watertight seal is made around the vent pipe coming through the wall.
5. Apply high-temperature sealant caulking (supplied) around 4 in. and 7 in. snorkel collars.
6. Slide snorkel into vent pipes and secure to wall.
7. Level the soil so as to maintain a 4" (102 mm) clearance below snorkel. (Fig. 29)

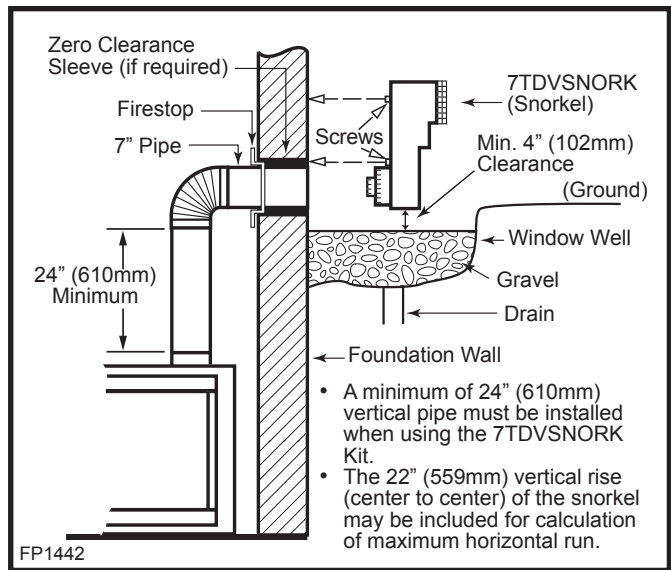



Fig. 28 Below grade installation.

 **Do not backfill around the snorkel. A clearance of at least 4" (102mm) must be maintained between the snorkel and the soil.**

If the foundation is recessed, use recess brackets (not supplied) for securing lower portion of the snorkel. Fasten brackets to wall first, then secure to snorkel with self drilling #8 x 1/2 sheetmetal screws. It will be necessary to extend vent pipes out as far as protruding wall face. (Fig. 29)

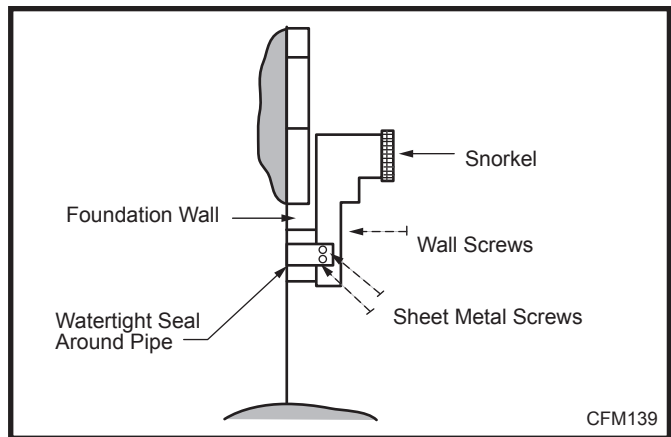


Fig. 29 Snorkel installation / recessed foundation.

Vertical Through-the-Roof Application

This Gas Fireplace has been approved for:

- Vertical installations up to 40' (12.2 m) in height. Up to a 10' (3 m) horizontal vent run can be installed within the vent system using a maximum of two 90° elbows. (Fig. 30)

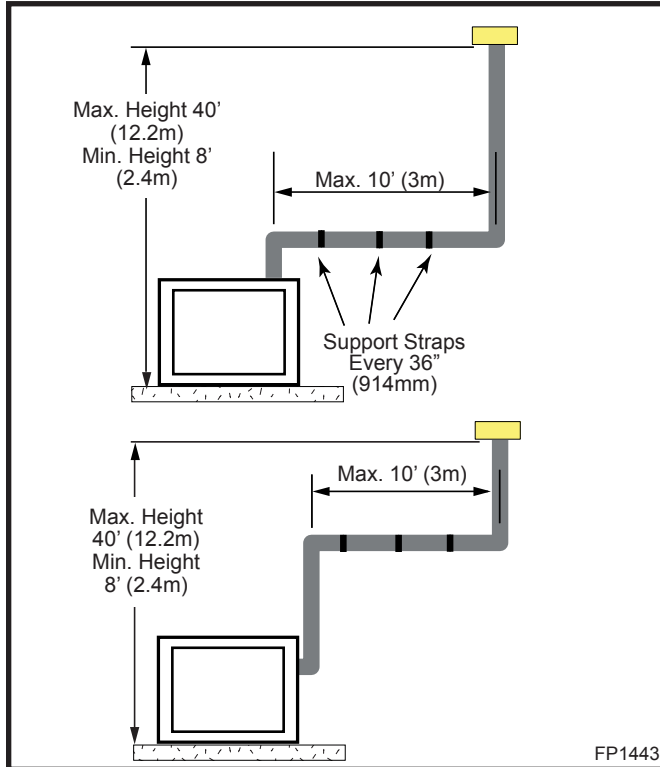


Fig. 30 Support straps for horizontal runs.

- Up to two 45° elbows may be used within the horizontal run. For each 45° elbow used on the horizontal level the maximum horizontal length must be reduced by 18" (457 mm).

Example: Maximum horizontal length:

Zero elbows	= 10' (3 m)
1 x 45° elbows	= 8½' (2.6 m)
2 x 45° elbows	= 7' (2.1 m)

- A minimum of an 8 ft. (2.43 m) vertical rise.
- Two (2) sets of 45° elbow offsets may be used within the vertical sections. From zero to max 8 ft. (2.43 m) vent pipe can be used between elbows. (Fig. 30)
- 7DVCS supports offsets. (Fig. 33) This application will require you first determine the roof pitch and use the appropriate starter kit. See Venting Components List, Page 22.
- The maximum angular variation allowed in the system is 270°. (Fig. 31)
- The minimum height of the vent above the highest point of penetration through the roof is 2' (610mm). (Fig. 32)

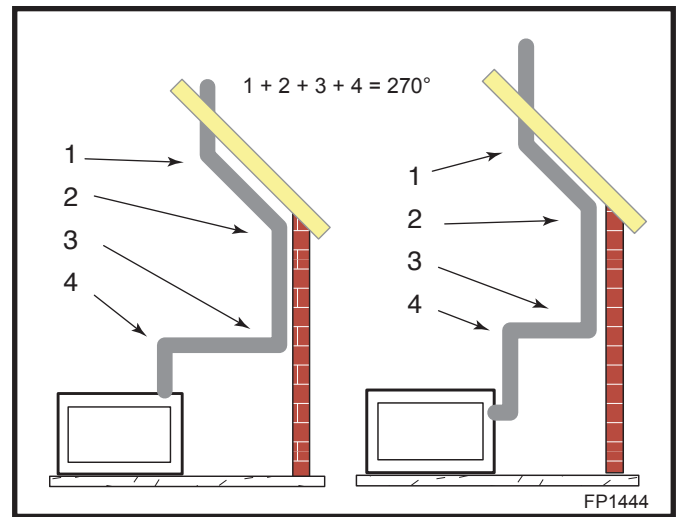


Fig. 31 Maximum elbow usage.

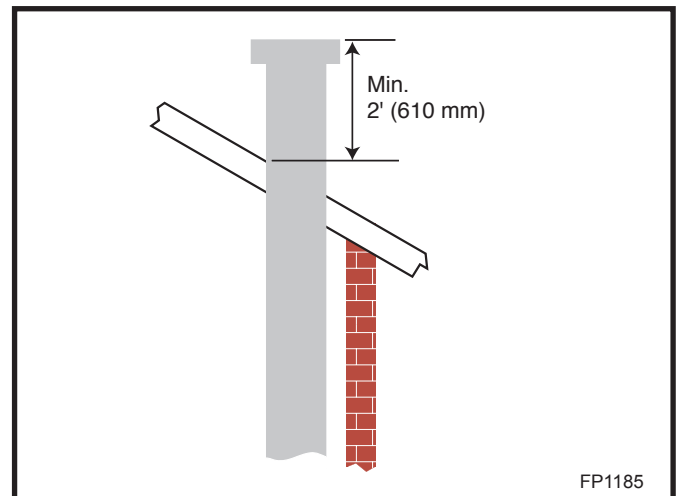


Fig. 32 Maximum termination to roof clearance.

Vertical Through-the-Roof Installation

1. Locate your fireplace.
2. Plumb to center of the (4") flue collar from ceiling above and mark position.
3. Cut an opening equal to 9 $\frac{3}{8}$ " x 9 $\frac{3}{8}$ " (240 x 240mm).
4. Proceed to plumb for additional openings through the roof. In all cases, the opening must provide a minimum of 1" (25 mm) clearance to the vent pipe, i.e., the hole must be at least 9 $\frac{3}{8}$ " x 9 $\frac{3}{8}$ " (240 x 240mm).
5. Place fireplace into position.
6. Place firestop(s) #7DVFS or Attic Insulation Shield #7DVAIS into position and secure. (Fig. 35)
7. Install roof support (Fig. 33) and roof flashing making sure upper flange is below the shingles. (Fig. 34)
8. Install appropriate pipe sections until the venting is above the flashing. (Fig. 34)
9. Install storm collar and seal around the pipe.
10. Add additional vent lengths for proper height. (Fig. 32)
11. Apply high temperature sealant to 4" and 7" collars of vertical vent termination and install.

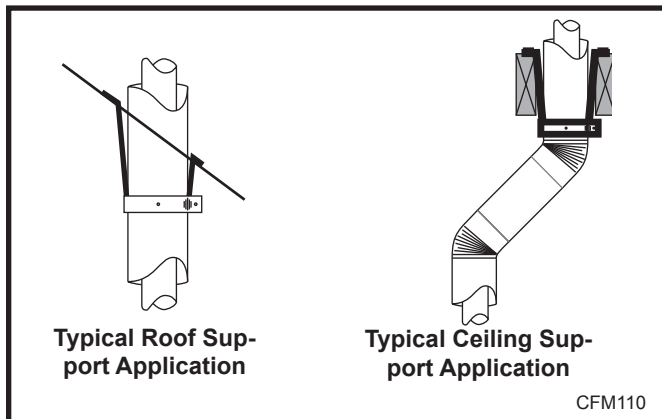


Fig. 33 Chimney support.

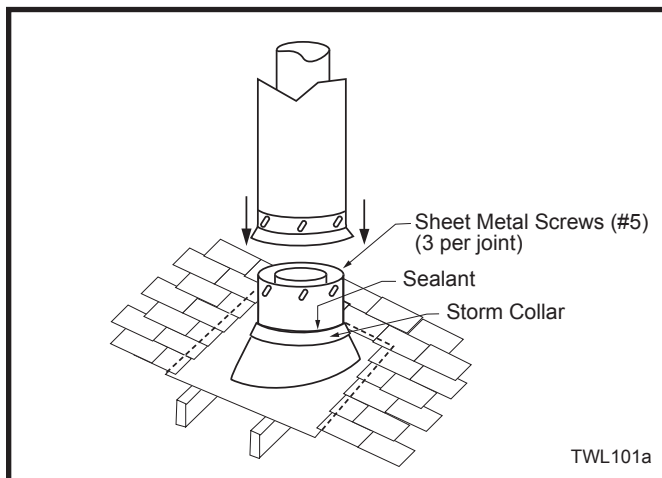


Fig. 34 Roof flashing.



If there is a room above ceiling level, a firestop spacer must be installed on both the bottom and the top sides of the ceiling joists. (Fig. 35) If an attic is above ceiling level, a 7DVAIS (Attic Insulation Shield) must be installed.

NOTE:The enlarged ends of the vent sections are to always face downward.

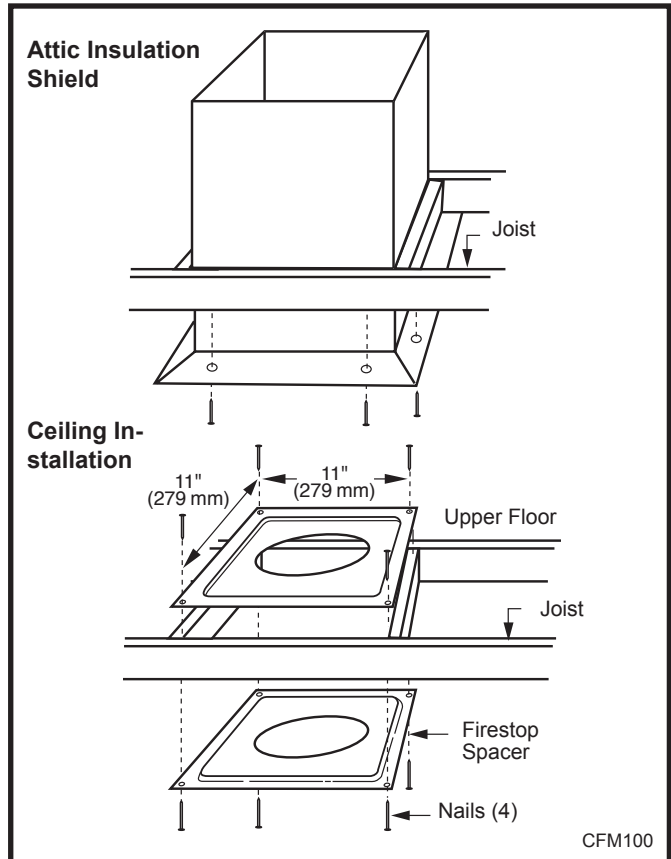
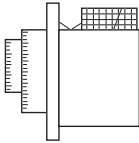
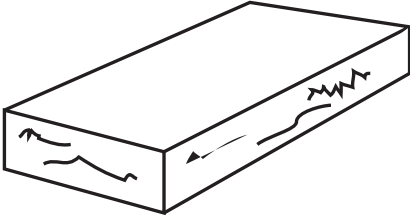
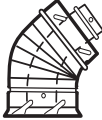

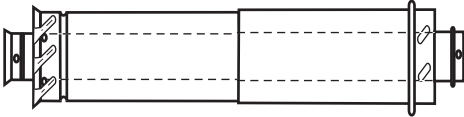
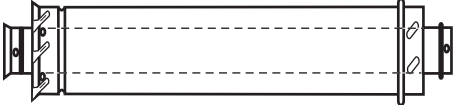
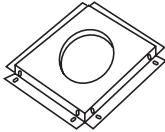
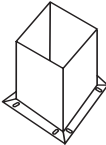



Fig. 35 Firestop and attic insulation shield.

Twist Lock Venting Components	
	7TDVRVT Through-the-Wall Rear Vent Termination
	Starter Kit Model 7TDVSK - Sidewall Starter Kit Model 7TDVSKV - Vertical Venting for 7TDVSKV-A: order 1/12 to 6/12 roof pitch for 7TDVSKV-B: order 7/12 to 12/12 roof pitch for 7TDVSKV-F: order flat roof Starter Kit Model 7TDVSKS - Snorkel Kit Snorkel Termination - 7TDVSNORK for Below Grade Installation
	45° Elbow 7TDVT45 for Rear Vent to Vertical Vent or Vertical/Horizontal Offsets
	90° Transition Elbow 7TDVRT90 for Rear Vent to Vertical Vent 90° Elbow 7TDV90 Vertical/Horizontal Offset
	Telescopic Vent Sections: 7TDVP1218 - 12" to 18" adjustable length 7TDVP3564 - 35" to 64" adjustable length
	Pipe Sections for vertical or horizontal venting: Model 7TDVP8" 4 per box Model 7TDVP12" 4 per box Model 7TDVP24" 4 per box Model 7TDVP36" 4 per box Model 7TDVP48"
	Firestop Spacer Model 7DVFS
	Attic Insulation Shield Model 7DVAIS
	Vertical/ Horizontal Combination Offset Support Model 7DVCS

Operating Instructions

Glass Information



Only glass approved by CFM Corporation should be used on this fireplace.

- The use of any non-approved replacement glass will void all product warranties.
- Care must be taken to avoid breakage of the glass.
- **Do not operate appliance with glass front removed, cracked or broken.**
- **Replacement glass (complete with gasket) is available through your Majestic Fireplaces dealer and should only be installed by a licensed qualified service person.**

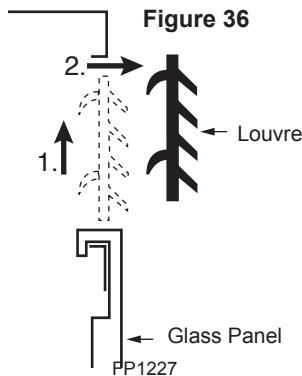
! WARNING



HOT GLASS WILL CAUSE BURNS.
DO NOT TOUCH GLASS UNTIL COOLED.
NEVER ALLOW CHILDREN TO TOUCH GLASS.

Louvre Removal

- The top side and top end louvres are removed by simply lifting the louvre assembly and pulling the assembly away from the fireplace. (Fig. 36)
- The lower side louvres are hinged along their lower edge and are folded down for access to components in the base cavity of the fireplace.
- The lower end louvre assembly on the 360DVS3/ SL/ SR units is removed in the same manner as the top louvre assemblies.



Window Frame Assembly Removal

Side Window Frame Assemblies

1. Shut off the gas supply.
2. Allow the fireplace to cool if it has been in operation.
3. Remove the top louvre assembly.
4. Lower the bottom louvre assembly.
5. Release the two clamps along lower edge of the frame by pulling down on clamp handles. (Fig. 37)
6. Tilt lower edge of frame out slightly and lift window frame assembly up and away from the fireplace.

7. To reinstall the window frame assembly reverse this procedure.

Front Window Frame Assembly

1. Remove the top and bottom louvre assembly.
2. Remove the lower window trim (held in place with magnets).
3. Remove both lower retaining screws. Access to these screws is gained through the holes along the lower edge of the frame behind the trim. (Fig. 38)
4. Tilt lower edge of frame out slightly and lift window frame assembly up and away from the fireplace.
5. To reinstall the window frame assembly reverse the process.

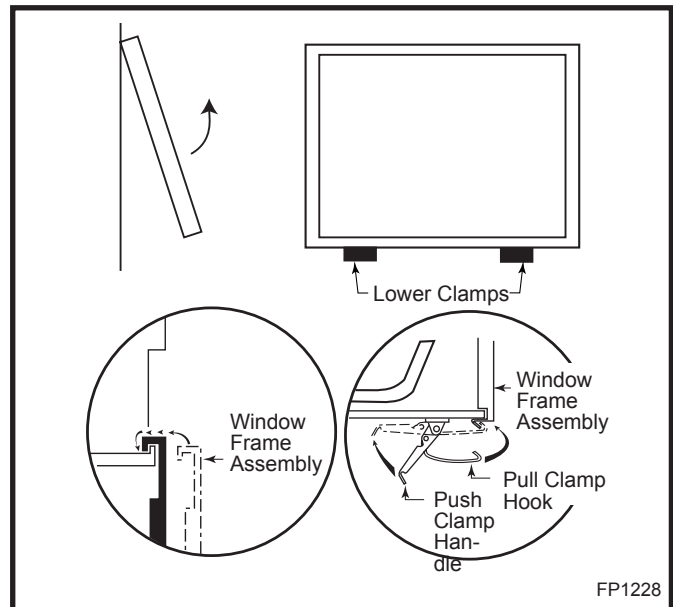


Fig. 37 Window frame assembly removal.

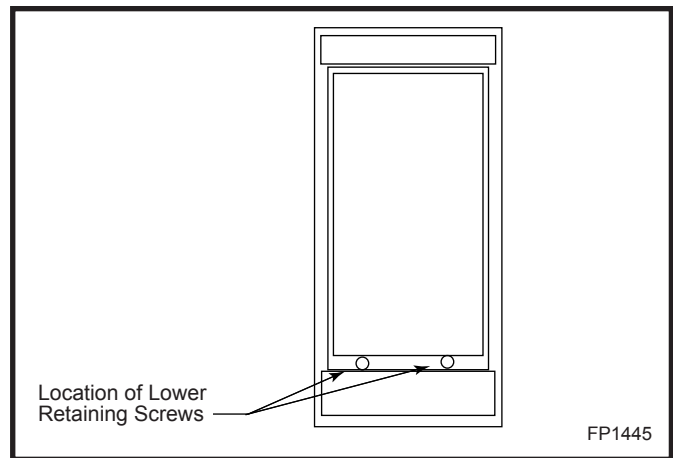


Fig. 38 Retaining screw.

Glass Cleaning

It is necessary to periodically clean glass. During start-up, condensation, which is normal, forms on the inside of the glass. This condensation causes lint, dust and other airborne particles to cling to glass surface.

Also initial paint curing may deposit a slight film on the glass. It is therefore recommended glass be cleaned two or three times with a non-ammonia based household cleaner and warm water. The use of fireplace glass cleaner is recommended within the first few weeks of operation.

After the initial cleaning process the glass should be cleaned two or three times during each operating season depending on the environment in the house.



Clean the glass after the first two weeks of operation.

Do not clean the glass when hot.

Do not use an abrasive cleaner.

Do not strike or slam the glass.

Ceramic Refractory Installation

The vertical refractory panels are installed in the unit prior to shipment. For assembly procedures, refer to Figure 39.

1. Unpack the ceramic refractory panels from the carton.



Handle the refractory material carefully, the panels are fragile.

2. Place the two end floor refractory panels on the base of the fireplace.
3. Place both side panels along the side of the base.

NOTE: 360DVS2 is the only 360DV unit that is fitted with two (2) end vertical panels, as shown in Figure 39. 360DVSL and 360DVSR units are each fitted with one end vertical panel and two side vertical panel. The 360DVS3 has only one end vertical panel.

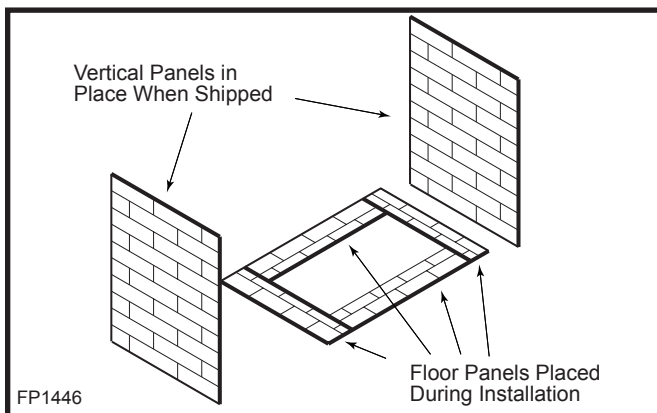


Fig. 39 Ceramic panel installation.

Log Installation

Refer to Figures 40 and 41 for log location and alignment.

Because of the log stack design, these instructions can be followed from either side of the fireplace. To follow these instructions, identify the logs by the number cast into the underside.

For correct operation of the fireplace, the logs must be correctly placed in the sequence described below:

1. Unpack the logs from the shipping carton. The logs are fragile; handle them carefully.



Handle and dispose of plastic bags in which logs were shipped in a safe manner. As with all plastics, they are not toys and should be kept away from infants.

2. Remove both sides of the window frame assembly (where applicable).
3. Place the **log rear (B120)** on the grate. The square hole located on the underside of the log is to be placed over the center of the grate. The inner end of the log ensures that the bottom hole is located on the pin of the support.
4. Place the **log front left (B121)** on the grate. The square hole located on the underside of the log is to place over the corner leg of the grate. The inner end of the log ensures the bottom holes are located on the pin of the support.
5. Place the **log front right (B122)**. Once more, the square hole fits over the corner leg of the grate. The inner end of this log maintains a recess on the underside, which locates over the knob on the top of the **log front left (B121)** to secure the inner end in place.
6. Place the **log rear left (B123)**. The bottom back of the log rests on the grate. The notch at the back of the log locates over the knob on the top of the **log rear (B120)**. The bottom of the log rests on top of the **log front left (B121)**.
7. Place the **log bottom left (B124)**. The log maintains a step on the outer end, which rests against the prong of the grate. The alternate end rests on the side floor refractory panel.
8. Place the **log rear right (B125)**. The log maintains a hole on the underside, which rests over the knob on the top of the **log rear (B120)**. The bottom of the log rests against the side floor refractory panel, and the side rests against the last prong of the grate.
9. Place the **log center (B126)**. The log maintains a hole on the underside, which rests over the knob on the top of the **log front right (B122)**. The alternate end rests against the side floor refractory panel and positions between the two (2) prongs of the grate.

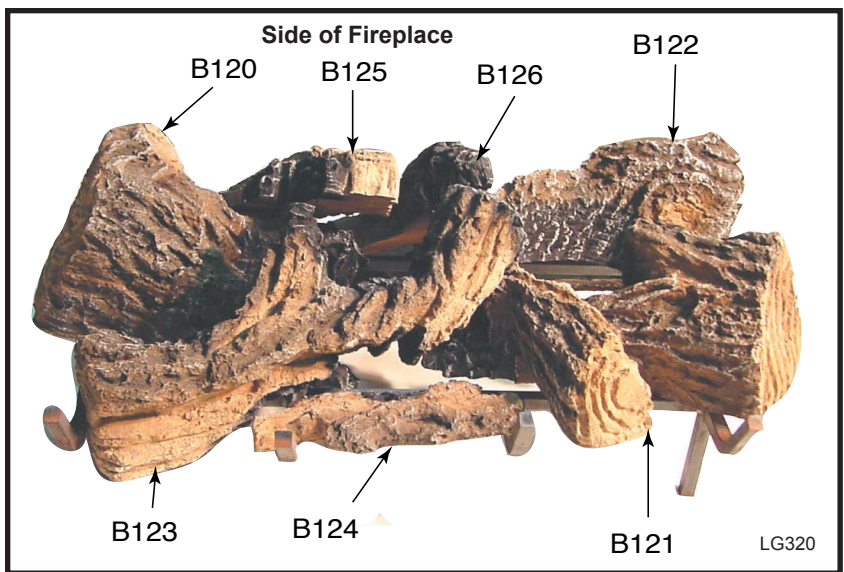


Fig. 40 360DVS log placement.

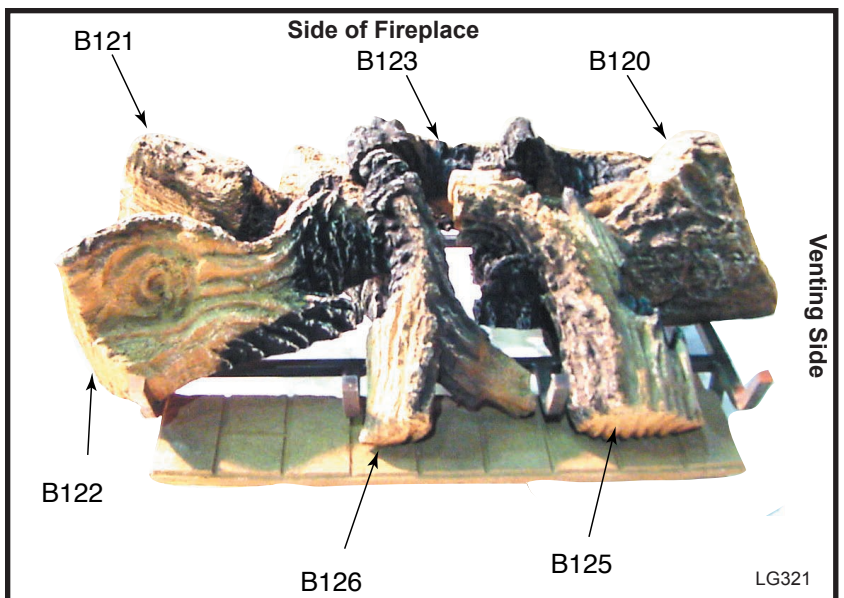


Fig. 41 360DVS log placement.

Lava Rock and Ember Material Placement

Your log set contains Ember Material and two types of Lava Rocks. Set these materials in place after the logs have been installed.

Ember Material (Pt. #51915)

Remove ember material from the bag and separate it into small pieces, then scatter it over burner tiles in a random fashion. Do not pack down ember material; leave it in a 'fluffy' state.

Lava Rock (Pt. #10001454)

Remove lava rock material from packaging and spread it over ceramic floor panels outside log stack. **Do not place this lava rock material on burner tiles.**

Flame & Temperature Adjustment

RN/RP Models

For units equipped with 'HI/LO' valves the flame adjustment is accomplished by rotating the 'HI/LO' adjustment knob located near the center of the gas control valve. (Fig. 42 and Fig. 43)



Fig. 42 Flame adjustment knob for Honeywell valve.

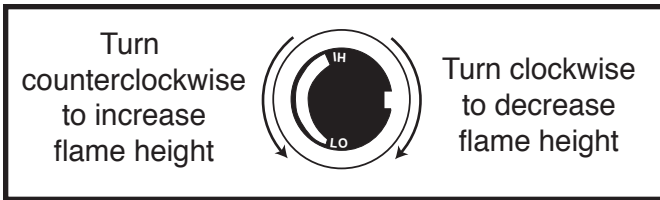


Fig. 43 Flame adjustment knob for SIT valve.

Flame Characteristics

It is important to periodically perform a visual check of the pilot and burner flames. Compare them to the pictorials illustrated below. (Figs. 45 & 46) If the flame patterns appear abnormal, contact a qualified service provider for service and adjustment.

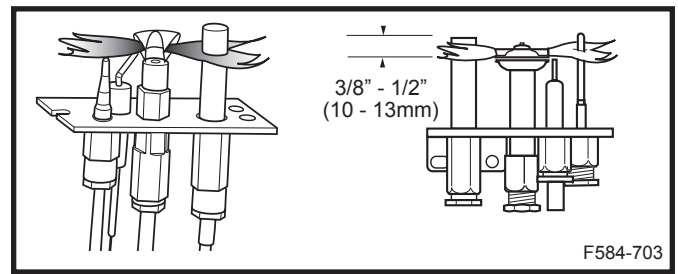


Fig. 45 Correct pilot flame appearance.



Fig. 46 Correct log flame appearance.

Lighting and Operating Instructions

FOR YOUR SAFETY, READ BEFORE LIGHTING.

WARNING: If you do not follow these instructions exactly, a fire or explosion may result, causing property damage, personal injury or loss of life.

- This heater has a pilot light, which must be lit manually. When lighting the pilot follow these instructions exactly:
- BEFORE LIGHTING, smell all around the heater area for gas. Be sure to smell next to the floor because some gas is heavier than air and will settle on the floor.

WHAT TO DO IF YOU SMELL GAS

- Do not try to light any fireplace.
- Do not touch any electric switch.
- Do not use any phone in your building.
- Immediately call your gas supplier from a neighbor's phone. Follow the gas supplier's instructions.

- If you cannot reach your gas supplier, call the Fire Department.

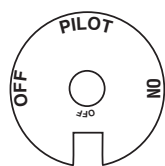
- Use only your hand to push in or turn the gas control knob. Never use tools. If the knob will not push in or turn by hand, do not try to repair it, call a qualified service technician. Applying force or any attempted repair may result in a fire or explosion.
- Do not use this fireplace if any part has been under water. Immediately call a qualified service technician to inspect the heater and to replace any part of the control system and any gas control which has been under water.

Lighting Instructions

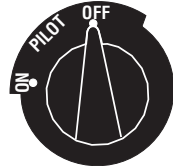
- STOP!** Read the safety information above.
- Turn off all electrical power to the fireplace.
- For MN/MP/TN/TP appliances ONLY, go on to Step 4. For RN/RP appliances turn the On/Off switch to "OFF" position or set thermostat to lowest level.
- Open control access panel.
- Push in gas control knob slightly and turn clockwise to "OFF".



Euro SIT



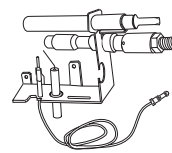
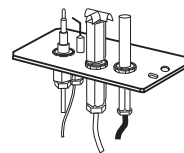
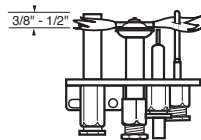
SIT NOVA



Honeywell

- Wait five (5) minutes to clear out any gas. Then smell for gas, including near the floor. If you smell gas, STOP! Follow "B" in the safety information above. If you do not smell gas, go to the next step.
- Remove glass door before lighting pilot. (See Glass Frame Removal section).
- Visibly locate pilot by the main burner.
- Turn knob on gas control counterclockwise to "PILOT".

- Push the control knob all the way in and hold. Immediately light the pilot by repeatedly depressing the piezo spark igniter until a flame appears. Continue to hold the control knob in for about one (1) minute after the pilot is lit. Release knob and it will pop back up. Pilot should remain lit. If it goes out, repeat steps 5 through 8.



- If knob does not pop up when released, stop and immediately call your service technician or gas supplier.
 - If after several tries, the pilot will not stay lit, turn the gas control knob to "OFF" and call your service technician or gas supplier.
- Replace glass door.
 - Turn gas control knob to "ON" position.
 - For RN/RP appliances turn the On/Off switch to "ON" position or set thermostat to desired setting.
 - Turn on all electrical power to the fireplace.

To Turn OFF Gas to Heater

- Turn the On/Off switch to Off position or set the thermostat to lowest setting.
- Turn off all electric power to the fireplace if service is to be performed.
- Open control access panel.
- Push in gas control knob slightly and turn clockwise to "OFF". Do not force.
- Close control access panel.

Lighting and Operating Instructions

For Fireplaces equipped with SIT822 Gas Valve (EN or EP)

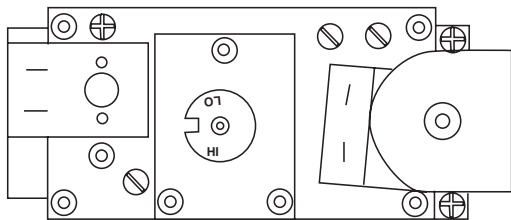
Warning: If you do not follow these instructions exactly, a fire or explosion may result causing property damage, personal injury and loss of life.

For your safety, read the following warnings before lighting the appliance:

- A. This fireplace is equipped with an ignition device which automatically lights the pilot. **DO NOT** try to light the pilot by hand.
- B. **BEFORE OPERATING**, smell all around the appliance area for gas. Be sure to smell next to the floor because some gas is heavier than the air and will settle on the floor.
- What to do if you smell gas**
- **Do not try to light any appliance**
 - **Do not operate any electrical switch.**
 - **Do not use any phone in your building.**
 - **Immediately call your gas supplier from a neighbor's phone. Follow the gas suppliers instructions.**
- **If you cannot contact your gas supplier call the Fire Department**
- C. Use only your hand to push in or turn the gas control knob. Never use tools. If the knob will not push in or turn by hand do not try to repair it, call a qualified service technician. Force or attempting repair may result in a fire or explosion.
- D. Do not use this appliance if any part has been under water. Immediately call a qualified service technician to inspect the appliance and replace any part of the control system and any gas control that has been under water.

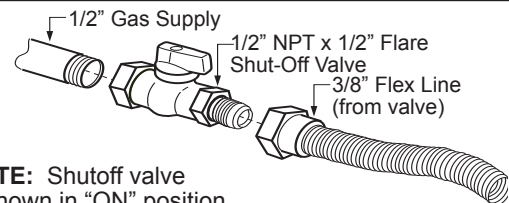
Lighting Instructions

1. **STOP!** Read the safety information above before continuing.
2. Turn off all electrical power to the appliance.
3. This appliance is equipped with an ignition device which automatically lights the pilot. **DO NOT try to light the pilot by hand.**
4. Access the gas control by lowering the lower access door (louvre assembly).
5. Turn the remote switch, if used, OFF. Turn the wireless remote, if used, OFF.
6. Wait five (5) minutes to clear out any gas. Then smell for gas, including near the floor. If you smell gas STOP. Follow instructions B in the safety warnings above. If you do not smell gas go onto the next step.
7. Close the access door.
8. Turn ON all electrical power to the appliance.
9. Turn remote switch or wireless remote to ON.
10. If the appliance will not operate, follow the instructions "Turning Off the Gas to the Appliance" (below), and call your service technician or gas supplier.



Turning Off the Gas to the Appliance

1. Turn the remote switch to the "OFF" position.
2. Turn OFF all electrical power to the fireplace if service is required.
3. Open the lower access panel.
4. Turn the shutoff valve on the flexible gas line to the "OFF" position.



NOTE: Shutoff valve is shown in "ON" position

Troubleshooting the Gas Control System

SIT NOVA 820 MILLIVOLT VALVE

NOTE: Before troubleshooting the gas control system, be sure external gas shut off is in the "On" position.

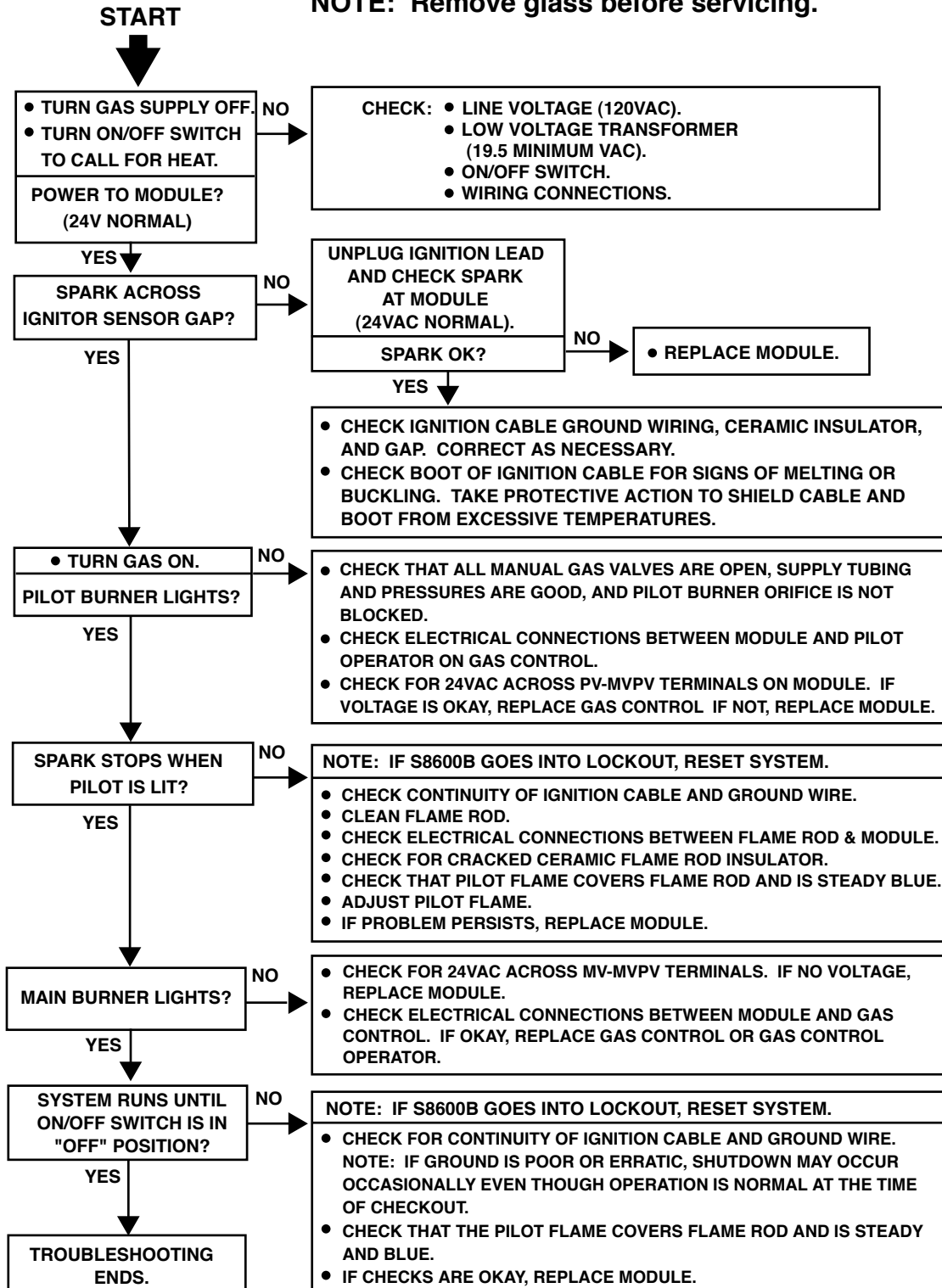
WARNING: REMOVE GLASS FRONT BEFORE DOING ANY GAS CONTROL SERVICE WORK.

SYMPTOM	POSSIBLE CAUSES	CORRECTIVE ACTION
1. Spark ignitor will not light	A. Defective or misaligned electrode at pilot.	Using a match, light pilot. If pilot lights, turn off pilot and push the red button again. If pilot will not light, check the gap at electrode and pilot; it should be 1/8" to have a strong spark.
	B. Defective ignitor (Push Button)	Push piezo Ignitor Button. Check for spark at electrode and pilot. If no spark to pilot, and electrode wire is properly connected, replace ignitor.
2. Pilot will not stay lit after carefully following lighting instructions.	A. Defective pilot generator (thermocouple), remote wall switch.	Check pilot flame. Must impinge on thermocouple/thermopile. NOTE: This pilot burner assembly utilizes both a thermocouple and a thermopile. The thermocouple operates the main valve operation (ON/OFF). Clean and/or adjust pilot for maximum flame impingement on thermopile and thermocouple.
	B. Defective automatic valve	Turn valve knob to "Pilot." Maintain flow to pilot; millivolt meter should read greater than 10 mV. If the reading is okay and the pilot does not stay on, replace the gas valve. NOTE: An interrupter block (not supplied) must be used to conduct this test.
3. Pilot burning, no gas to main burner	A. Wall switch or wires defective	Check wall switch and wires for proper connections. Jumper wires across terminals at wall switch; if burner comes on, replace defective wall switch. If okay, jumper wires across wall switch wires at valve; if burner comes on, wires are faulty or connections are bad.
	B. Thermopile may not be generating sufficient millivoltage.	<ol style="list-style-type: none"> 1. Be sure wire connections from thermopile at gas valve terminals are tight and thermopile is fully inserted into pilot bracket. 2. One of the wall switch wires may be grounded. Remove wall switch wires from valve terminals if pilot now stays lit, trace wall switch wiring for ground. May be grounded to fireplace or gas supply. 3. Check thermopile with millivolt meter. Take reading at thermopile terminals of gas valve—should read 250-300 millivolts (minimum 150) while holding valve knob depressed in pilot position and wall switch "OFF." Replace faulty thermopile if reading is below specified minimum.
	C. Plugged burner orifice.	Check burner orifices for debris and remove.
	D. Defective automatic valve operator.	Turn valve knob to "ON," place wall switch to "ON" — millivolt meter should read greater than 100 mV. If the reading is okay and the burner does not come on, replace the gas valve.
4. Frequent pilot outage problem.	A. Pilot flame may be too low or blowing (high) causing the pilot safety to drop out.	Clean and/or adjust pilot flame for maximum flame impingement on thermopile and thermocouple.
	B. Possible blockage of the vent terminal.	Check the vent terminal for blockage (recycling the flue gases)

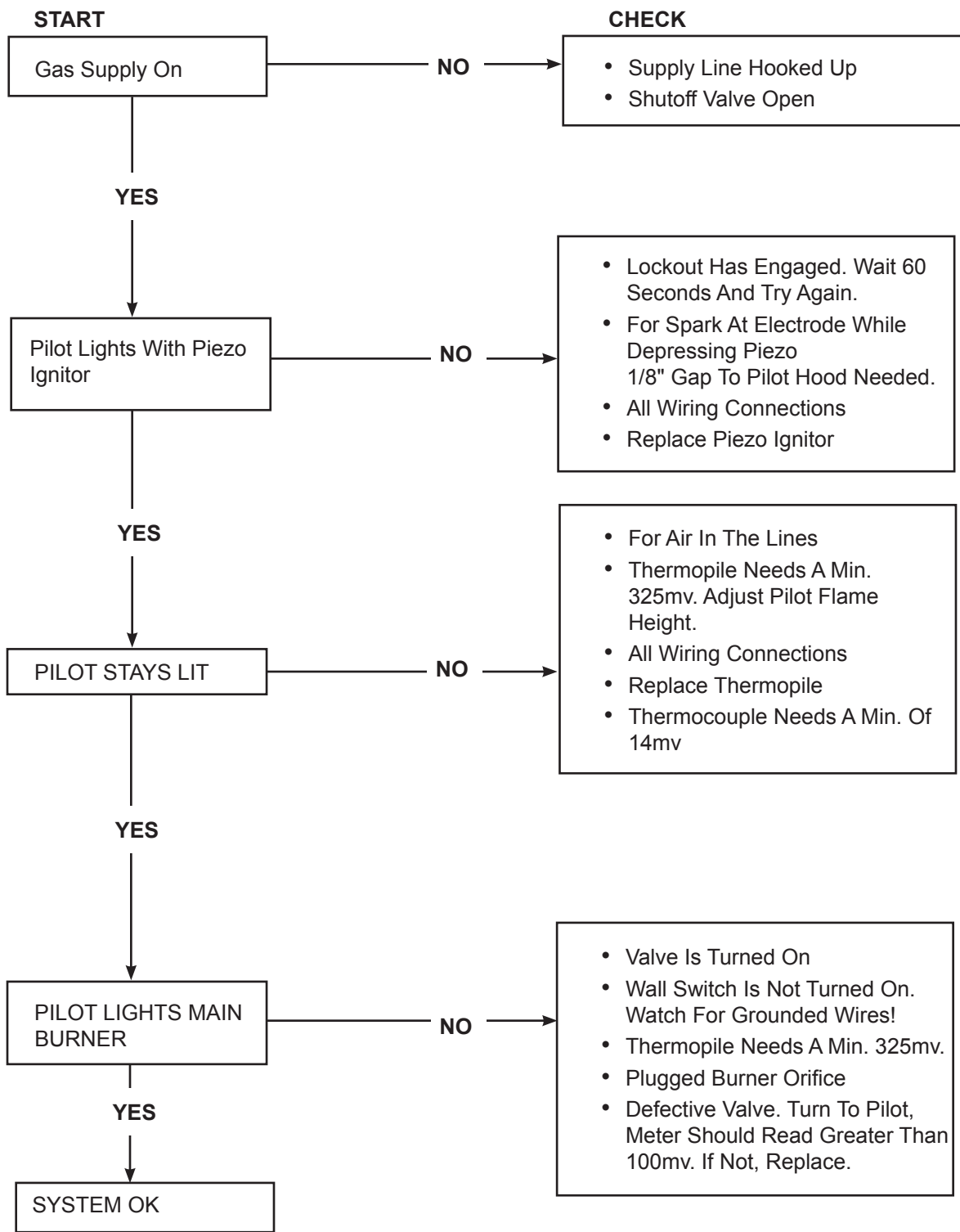
Troubleshooting the Gas Control System

SIT 822 Valve with a Honeywell Electronic Igniter

NOTE: Remove glass before servicing.



Troubleshooting – Honeywell VS8421



Fuel Conversion Instructions

To convert this appliance from gas type to another, follow these instructions. Before proceeding, turn control knob to “OFF” and turn gas supply OFF. Turn OFF any electricity that may be going to the appliance.

CAUTION: Logs may be HOT! Allow to cool before proceeding.



This conversion procedure must be carried out by an authorized service provider.

1. Disconnect power to unit and shut off the gas supply.
2. Remove window frame assembly (see “Window Frame Assembly Removal” Section).
3. Carefully remove the logs and lava rock material.
4. Remove the screws holding the burner housing assembly in place.
5. Remove the burner housing assembly. On some models you may need to loosen the pilot bracket retaining screw/nut, and tilt the pilot and bracket assembly to gain sufficient clearance to remove the burner housing assembly.
6. Remove front and rear orifice and replace with orifice supplied in the conversion kit.

NOTE: On 360DV/S2/S3/SL/SR, both burner orifices are the same size.
7. Remove the screws holding the air shutter to the burner tubes. (Fig. 47) Note the alignment of the air shutter on the tubes. Remove the air caps and replace them with the new air shutters supplied in the conversion kit.

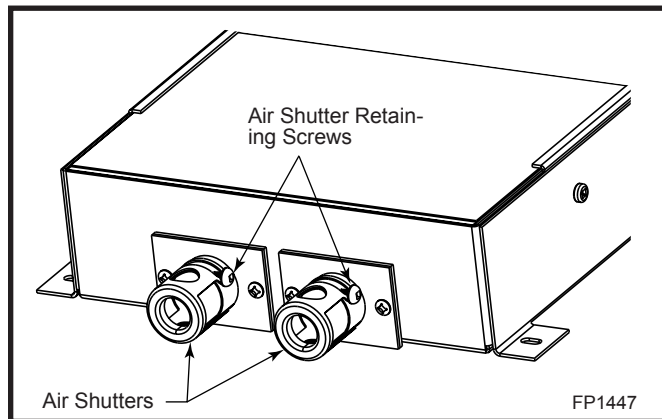


Fig. 47 Air shutter adjustment.

8. SIT Top Convertible Pilot

Gently lift off pilot hood from the pilot. **NOTE:** Do not remove the spring clip holding the hood in place. Using a correctly-sized Allen key, unscrew the exposed orifice. Insert the new orifice supplied in the kit; do not overtighten the orifice. Replace the pilot hood ensuring the index tab aligns with the notch on the hood.

PSE Pilot

Using a suitable wrench on hexagonal body, unscrew the pilot hood assembly from the pilot. Do not twist the hood itself. Remove the orifice and replace it with the new orifice supplied in the kit. Refit the pilot hood assembly. Do not overtighten the pilot hood. The hood must return to its original alignment. Take care not to damage the thermocouple, thermopile or igniter.

9. SIT 820 NOVA Gas Control Valve (Fig. 48)

- a) Using a Torx T20 or slotted screwdriver, remove and save three (3) pressure regulator mounting screws (A), pressure regulator tower (B), and diaphragm (C).
- b) Ensure the rubber gasket (D) is properly positioned and install the new HI/LO pressure regulator to the valve using the new screws (E) supplied with the kit. Tighten the screws securely. (Reference torque: 25 in.lb.)
- c) Install the enclosed identification label (F) to the valve body where it can be easily seen.

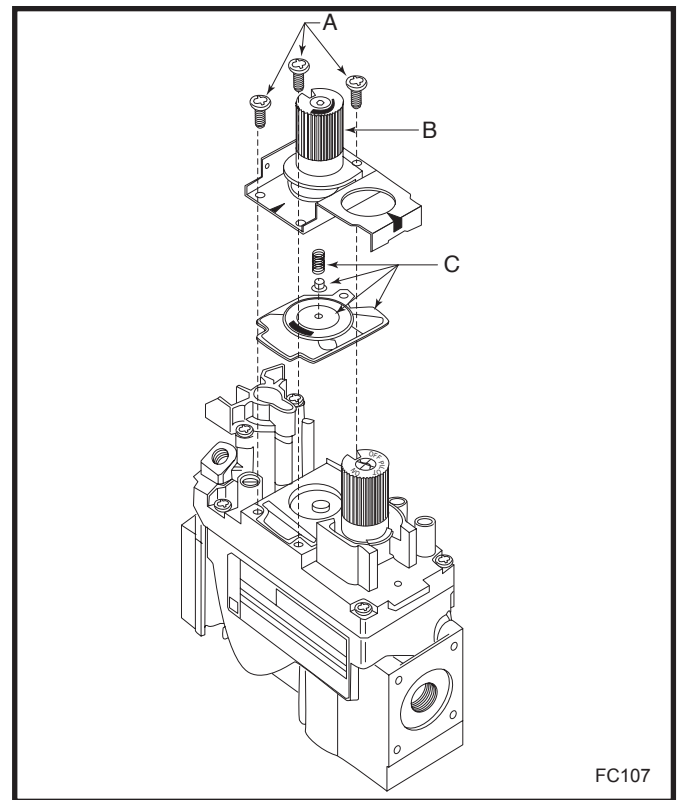


Fig. 48 Remove mounting screws, pressure regulator tower and diaphragm assembly.

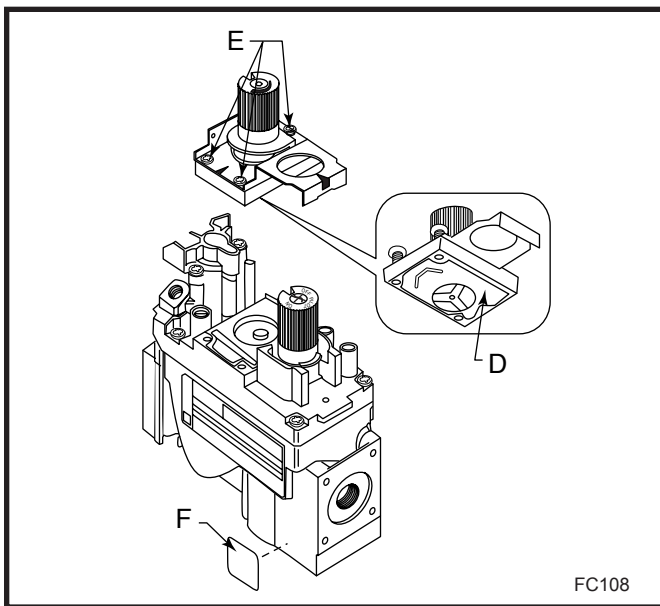


Fig. 49 Replace regulator.

Honeywell Gas Control Valve (Fig. 50)

The Honeywell valve fitted to this unit is suitable for use with LP or Natural Gas. It is converted to the required gas application by installing a color-coded conversion screw.

- a) Using a suitable small screwdriver, lift out the central regulator cap from the "HI/LO" knob on the valve.
- b) Unscrew the exposed conversion screw.
- c) Insert the new color coded conversion screw. Do not overtighten the screw; it must be finger-tight.
- d) Refit the regulator cap.
- e) Mount conversion label supplied with the conversion screw to the valve in a visible position.

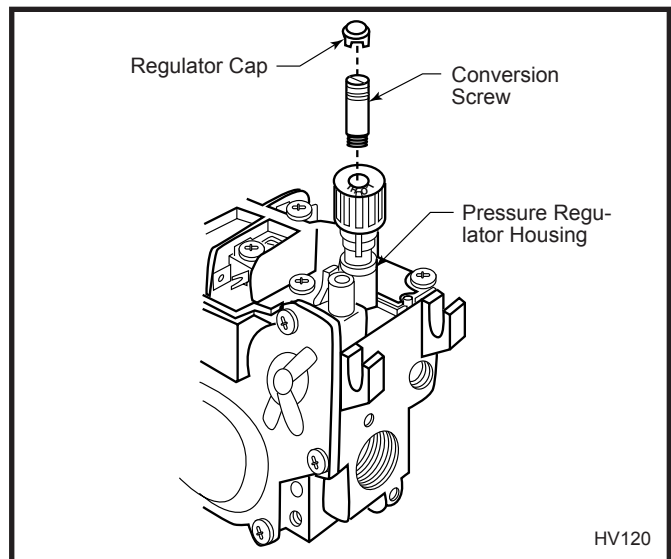


Fig. 50 Honeywell conversion screw replacement.

10. Reassemble fireplace in the reverse order, except for the window frame assembly. Leave this off until after unit has been checked for leaks and the gas supply has been bled.
11. After bleeding the gas line and checking for leaks with a soap solution, replace the window frame assembly.
12. Fire up the unit. Check for flame impingement on the logs, adjusting them as necessary.
13. Check manifold and supply pressures against the appliance specifications.



The procedure for converting from one gas to another is the same regardless of the initial gas used. The only variations are in orifice sizes and component part numbers. Your authorized service provider will ensure correct parts are used.

Maintenance

Burner and Burner Compartment

It is important to keep the burner and the burner compartment clean. At least once per year remove the logs and lava rock/ember material. Vacuum and wipe out the burner compartment. Remove and refit the logs per the instructions in this manual.



Always handle the logs with care as they are fragile and may also be hot if the fireplace has been in use.

FK24/FK12 Fan Assembly

The fan unit requires periodic cleaning. At least once per month in the operating season, open the lower louvre panels and wipe or vacuum the area around the fan to remove any build up of dust or lint.

Brass Trim

Clean the brass trim pieces using a soft cloth lightly dampened with lemon oil. Do not use water or household cleaners on any brass components.

Cleaning the Standing Pilot Control System

The burner and control system consists of:

- burner tube
- gas orifice
- pilot assembly
- thermopile
- millivolt gas valve

Most of these components may require only an occasional checkup and cleaning and some may require adjustment. If repair is necessary, it should be performed by a qualified technician.

1. Turn off pilot light at gas valve side.
2. Let fireplace cool if it has been running.
3. Remove window frame assembly. (Refer to Window Frame Assembly Removal section)
4. Remove logs.
5. Vacuum burner compartment especially around orifice primary air openings.
6. Visually inspect pilot. Brush or blow away any dust or lint accumulation.
7. Reinstall logs.
8. Ignite pilot; refer to Lighting Instructions.
9. Reinstall window frame assembly.

To obtain proper operation, it is imperative that the pilot and burner's flame characteristics are steady, not lifting or floating.

Typically, the top 3/8 – 1/2" (10 – 13 mm) of the thermopile should be engulfed in the pilot flame. (Page 26, Fig. 46)

To adjust pilot burner (to be done by a qualified service technician):

1. Remove pilot adjustment cap.
2. Adjust pilot screw to provide properly sized flame.
3. Replace pilot adjustment cap.

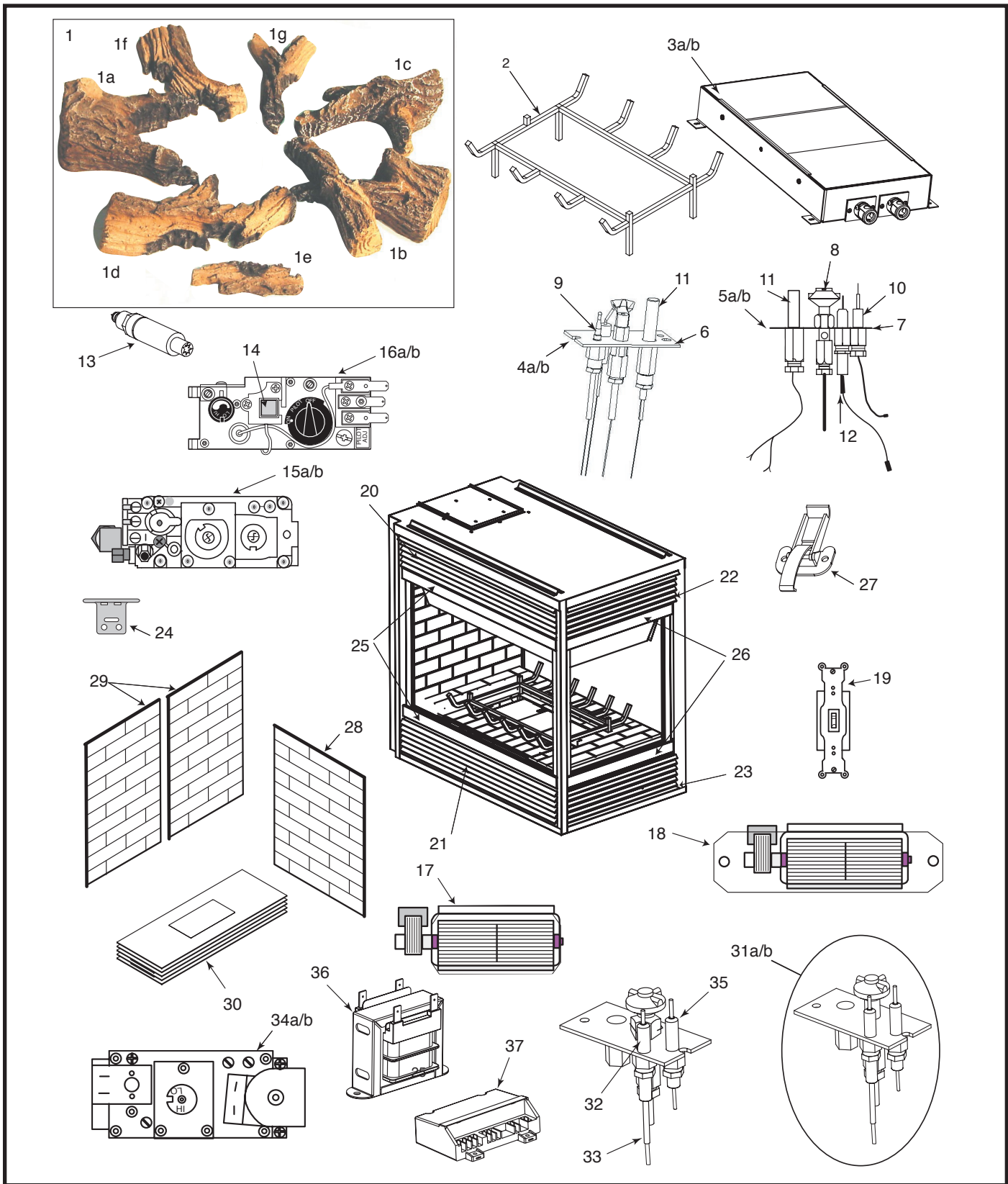
The primary air shutter is set at factory and should be adjusted, if necessary, only by a qualified service technician.

Cleaning Electronic Ignition System

The Electronic Ignition burner/control system consists of:

- main burner
- gas orifice
- pilot burner
- 24VAC valve with transformer

The process for taking care of Electronic Ignition units is identical to that for taking care of Standing Pilot models.



CFM Corporation reserves the right to make changes in design, materials, specifications, prices and discontinue colors and products at any time, without notice.

360DVS Series

Units: H63H00, H63I00, H63A00, GF5M2L0, H63B00, H93H00, H93A00, H93B00, H83A00, H83B00, H73A00, H73B00

360DVS Series (Items marked “*” are not shown in the parts illustration)

Ref.	Description	360DVS2	360DVS3	360DVSL	360DVSR
1.	Log Set (complete)	10006350	10006350	10006350	10006350
1a.	Log - Rear (B120)	10006315	10006315	10006315	10006315
1b.	Log - Front Left (B121)	10006316	10006316	10006316	10006316
1c.	Log - Front Right (B122)	10006317	10006317	10006317	10006317
1d.	Log - Rear Left (B123)	10006318	10006318	10006318	10006318
1e.	Log - Bottom Left (B124)	10006319	10006319	10006319	10006319
1f.	Log - Rear Right (B125)	10006320	10006320	10006320	10006320
1g.	Log - Center Right (B126)	10006321	10006321	10006321	10006321
2.	Grate Assembly	10006014	10006014	10006014	10006014
3a.	Burner Housing Assembly, Nat.	10006148	10006148	10006148	10006148
3b.	Burner Housing Assembly, Prop.	10006299	10006299	10006299	10006299
*	Ceramic Burner Tile	10002165	10002165	10002165	10002165
*	Orifice/s, Main burner (Nat.)	Refer to the rating plate for specific orifice information			
*	Orifice/s, Main Burner (Prop.)	Refer to the rating plate for specific orifice information			
4a.	Pilot assembly PSE (Nat.)	10001741	10001741	10001741	10001741
4b.	Pilot assembly PSE (Prop.)	10001742	10001742	10001742	10001742
5a.	Pilot assembly SIT Top Conv. (Nat.)	10002264	10002264	10002264	10002264
5b.	Pilot assembly SIT Top Conv. (Prop.)	10002265	10002265	10002265	10002265
6.	Pilot, PSE (with cable & electrode)	10001824	10001824	10001824	10001824
7.	Pilot SIT Top Convertible	10002266	10002266	10002266	10002266
8.	Pilot Hood, SIT Top Convertible	10002385	10002385	10002385	10002385
*	Orifice, Pilot PSE (Nat.)	10001822	10001822	10001822	10001822
*	Orifice, Pilot PSE (Prop.)	10001823	10001823	10001823	10001823
*	Orifice, Pilot SIT Top convertible (Nat.)	10002268	10002268	10002268	10002268
*	Orifice, Pilot SIT Top conv. (Prop.)	10002269	10002269	10002269	10002269
*	Pilot tube & fittings (Top convertible)	10001296	10001296	10001296	10001296
*	Manifold Tube & Fittings	57318	57318	57318	57318
*	Flexible Gas Line (18") with fittings	20002500	20002500	20002500	20002500
9.	Thermocouple, PSE	10001828	10001828	10001828	10001828
10.	Thermocouple, SIT Top Convertible	53373	53373	53373	53373
11.	Thermopile	51827	51827	51827	51827
12.	Ignitor electrode (with cable), SIT	10001297	10001297	10001297	10001297
13.	Ignitor (Piezo), SIT 820 valve	52464	52464	52464	52464
14.	Ignitor (Piezo), Honeywell Valve	20000062	20000062	20000062	20000062
15a.	Valve, SIT 820 (Nat.)	52677	52677	52677	52677
15b.	Valve, SIT 820 (Prop.)	52678	52678	52678	52678
16a.	Valve, Honeywell (Nat.)	10001782	10001782	10001782	10001782
16b.	Valve, Honeywell (Prop.)	10001759	10001759	10001759	10001759
17.	Fan & Bracket FK12 (optional)	ZA1110	ZA1110	ZA1110	ZA1110
18.	Fan & Bracket FK24 (optional)	54103	54103	54103	54103
*	Temperature Sensor (optional)	51704	51704	51704	51704
*	Fan Speed Control (optional)	51738	51738	51738	51738
*	Fan Speed Control Knob (optional)	51882	51882	51882	51882
*	Electric Cord	51865	51865	51865	51865
19.	Remote ON/OFF switch (RN/RP models)	51842	51842	51842	51842
*	Wiring Harness (remote switch)	55923	55923	55923	55923
*	Remote ON/OFF Switch Kit (incls. bracket)	53875	53875	53875	53875
20.	Louvre Assembly, side top.	10000039	10000039	10000039	10000039

360DVS Series (continued) (Items marked "*" are not shown in the parts illustration)

Ref.	Description	360DVS2	360DVS3	360DVSL	360DVSR
21.	Louvre Assembly, side bottom	10000040	10000040	10000040	10000040
22.	Louvre Assembly, end top	N/A	10002411	10002411	10002411
23.	Louvre Assembly, end bottom	N/A	10002412	10002412	10002412
24.	Hinge, lower louvre assemblies	52356	52356	52356	52356
25.	Trim Window Top/Bottom w/Magnets PB	57483	57483	57483	57483
26.	Trim Window Top/Bottom w/Magnets PB	n/a	10006197	10006197	10006197
*	Window Frame Assembly, side	10002483	10002483	10002483	10002483
*	Window Frame Assembly, end	N/A	10002484	10002484	10002484
*	Window Glass (complete with gasket), side	10002533	10002533	10002533	10002533
*	Window Glass (complete with gasket), end	N/A	10002534	10002534	10002534
*	Gasket Kit (glass replacement, 1x11' length)	57317	57317	57317	57317
27.	Window Frame Clamp	54174	54174	54174	54174
28.	Refractory Lining (vertical end walls)	10006254	10006254	10006254	10006254
29.	Refractory Lining (vertical side wall)	N/A	N/A	10006285	10006285
30.	CR Bottom Kit w/out Rear	10006257	10006257	10006257	10006257
*	Air Inlet Cover Plate Assembly	10006174	10006174	10006174	10006174
*	Air Inlet Cover Plate Gasket	10006171	10006171	10006174	10006171
*	Flue Pipe Plate Assembly	10002554	10002554	10002554	10002554
*	FluePipe Plate Gasket	10002237	10002237	10002237	1000223
*	Flue Cover Plate	10002298	10002298	10002298	10002298
*	Flue Cover Plate Gasket	10002233	10002233	10002233	10002233
*	Relief Plate (with gasket)	10002429	10002429	10002429	10002429
*	Deflector, Cabinet Top Short	N/A	10002260	10002260	10002260
*	Corner Post (left)	N/A	10006190	10006190	10006190
*	Corner Post (right)	N/A	10006191	10006191	10006191
*	Corner Post Mounting Bracket	N/A	10006195	10006195	10006195
*	Deflector Cabinet Top Long	54364	54364	54364	54364
31a.	Pilot Assembly SIT Top Convertible EN	10002387	10002387	10002387	10002387
31b.	Pilot Assembly SIT Top Convertible EP	10002388	10002388	10002388	10002388
32.	Ignitor Electrode SIT EN/EP	52465	52465	52465	52465
33.	Cable Ignitor SIT EN/EP	10000696	10000696	10000696	10000696
34a.	SIT822 Gas Control Valve EN	57884	57884	57884	57884
34b.	SIT822 Gas Control Valve EP	57883	57883	57883	57883
35.	Sensing Electrode (w/ Cable) EN/EP	57885	57885	57885	57885
36.	Transformer 24V EN/EP	7522409	7522409	7522409	7522409
37.	Ignition Module Honeywell EP	20000005	20000005	20000005	20000005
*	Wire Harness Honeywell EN/EP	10001979	10001979	10001979	10001979

Optional Accessories

Fan Kits

FK24 Fan Assembly

This auxiliary fan system increases the efficiency of the circulation of the heated air.

The FK24 fan kit allows variable speed control of the circulation fan and also incorporates a heat sensor in the circuit.

Specifications

115 Volt / 60Hz / 56 Watts

Maintenance

The fan itself does not require regular maintenance, however periodic cleaning of the fan and the surrounding area is required.

Check the area under the control door (lower louvre assembly) and in front of the fan and wipe or vacuum this area at least once a month during the operating season.

Installation

The fan assembly and other components are supplied fully wired, eliminating the need for a licensed electrician to carry out the installation.

If hard wiring the fan in using Method B (following) we strongly recommend the use of a licensed electrician.

1. Open the lower louvre assembly. Maneuver the fan and bracket assembly around the gas valve and lines to locate the unit onto the screw studs on the back of the fireplace.
2. Install the thermal sensor under the bottom of the firebox, locating it over the two (2) 10 mm studs, and secure it with nuts.
3. Locate the fan speed control unit. This can be fitted behind the lower louvre assembly as in Figure 51, or located remotely in a conveniently located wall mounted electrical box. Remote location of the speed control will require suitable extension of the component wiring.
4. The power supply may be connected in two ways:

Method A

Route the 6' lead fitted to the unit to a conveniently located wall socket.

Method B

The EB-I receptacle box (Pt. # ZA1200) may be hard-wired into the house supply. The fan lead is then plugged into the EB-I box.

FK12

This auxiliary fan system increases the efficiency of the circulation of the heating air.

The FK12 Fan Assembly is a fixed speed fan system and does not allow for variable speed control. It does not use the speed control unit or the heat sensor included with the FK24 Kit.

Specifications

115 Volts / 60 Hz / 56 Watts.

Maintenance

The fan itself does not require regular maintenance; however, periodic cleaning of the fan and the surrounding area is required.

Check the area under the control door (lower louvre assembly), and in front of the fan. Wipe or vacuum this area at least once a month during the operating season.

Installation

The fan assembly is supplied fully wired eliminating the need for a licensed electrician to carry out the installation.

1. Open the lower Louvre assembly. Maneuver the fan and bracket assembly around the gas valve and lines to locate the unit against the back wall of the appliance, resting on the base.
2. With the protective cover removed from the self-adhesive 'Velcro' strips apply mild pressure to the fan & bracket unit to secure the strips to the metal panels. No further securing is required.
3. Power to the fan can be supplied by plugging the supplied lead into a conveniently-located wall socket by using a hard-wired EB-I receptacle box.

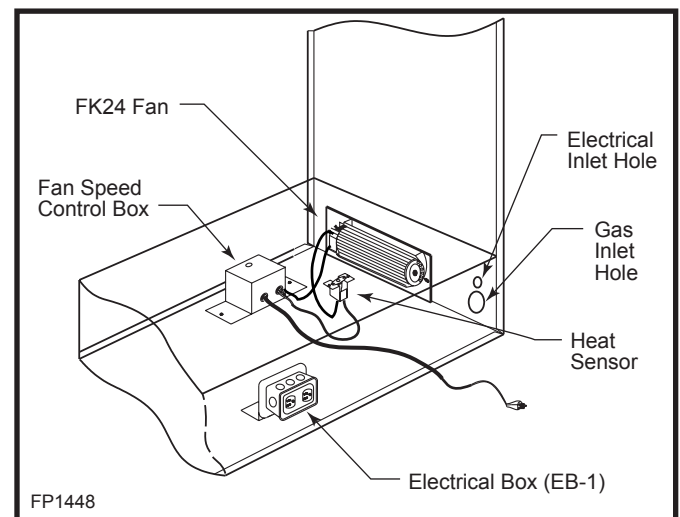


Fig. 51 Fan installation.

Wiring Instructions



The fireplace, when installed, must be electrically connected and grounded in accordance with local codes, or in the absence of local codes, with the current **CSA C22.1 Canadian Electric Code**. For USA installations, follow local codes and the **National Electrical Code ANSI/NFPA No. 70**.



Any electrical rewiring of this fan must be done by a licensed electrician.



Should this fan require servicing or repair, the power supply must be disconnected. For rewiring of any replacement parts, refer to **Figure 51**.

Method A (Not using EB-1; Fig. 52)

1. Connect the ground wire to the power supply line to ground stud located on the base of the firebox.
2. Connect the black wire of the supply line to either terminal of the speed control unit.
3. The second terminal of the speed control unit is attached to either terminal of the thermal sensor.
4. The second terminal of the thermal sensor is connected to either terminal of the fan motor.
5. The second fan motor terminal is connected to the white wire of the supply line.

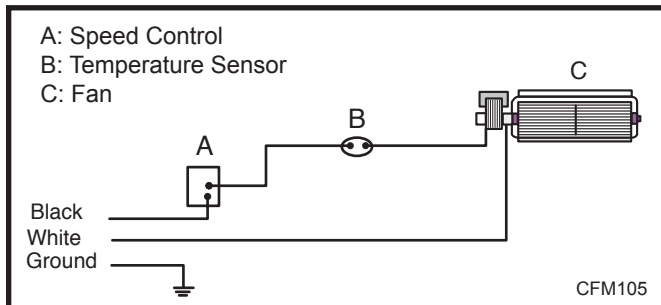


Fig. 52 Method 'A' fan wiring diagram.

Method B

For instruction on wiring the EB-1 Electrical Junction Box, see section EB-1 Electrical Junction Box Connection on Page 10.

Remote Controls

Optional remote control units are available to control different functions of the appliance.

Model	Function(s) Controlled
RC1	ON/OFF
RC2	ON/OFF & Temperature
IMTFK	Wall-mounted thermostat control

Decorative Trim Frame Kit

The DV360TKMP Medium Trim Kit in polished brass is available for the 360DVS2 model only. Each kit contains 4 polished brass trim pieces and the necessary attaching screws to frame one side window of the unit.

Installation (Refer to Fig. 53)

1. Remove the top louvre assembly.
2. Lower the bottom louvre assembly to expose the louvre hinges. Unscrew the retaining screws and remove the louvre assembly from the hinges.
3. Remove the retaining screws that secure the top deflector plate (above the top louvre opening), and remove the plate.

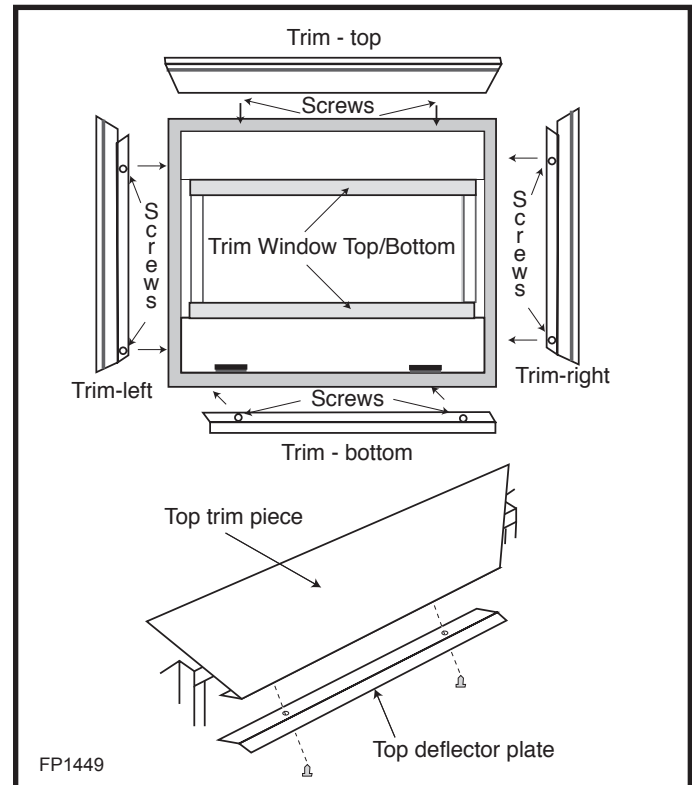


Fig. 53 Decorative trim frame installation.

4. Using the screws provided, attach the lower trim piece to the predrilled holes in the lower edge of the bottom louvre opening.
5. Using the screws provided, attach the two side trim pieces to the predrilled holes in the vertical side frames.
6. Use the top deflector plate and the screws removed in step 3 to clamp the top trim piece in place. With the trim piece in place along the top edge, refit and secure the top deflector plate.
7. Reattach the lower louvre panel to the hinges and replace the top louvre assembly.



All protective plastic wrap must be removed from the trim pieces before the appliance is put into service. If plastic wrap is not removed, a health or fire hazard may develop.

LIMITED LIFETIME WARRANTY

PRODUCT COVERED BY THIS WARRANTY

All Vermont Castings gas stoves, gas inserts, and gas fireplaces, and all Majestic brand gas fireplaces equipped with an Insta-Flame Ceramic Burner, or standard steel tube burner.

BASIC WARRANTY

CFM Corporation (hereinafter referred to collectively as the Company) warrants that your new Vermont Castings or Majestic Gas Fireplace/Stove is free from manufacturing and material defects for a period of one year from the date of purchase, subject to the following conditions and limitations.

EXTENDED LIFETIME WARRANTY

The heat exchanger, where applicable, and combustion chamber of every Vermont Castings or Majestic gas product is warranted for life against through wall perforation. All appliances equipped with an Insta-Flame Ceramic Burner have limited lifetime coverage on the ceramic burner plaque. Warrantees are made to the original owner subject to proof of purchase and the conditions and limitations listed on this Warranty Document

COMPONENT WARRANTY

CAST IRON: All external and internal cast iron parts are warranted for a period of three years.

Note: On porcelain enamel finished external parts and accessories The Company offers no Warranty on chipping of enamel surfaces. Inspect all product prior to accepting it for any damage to the enamel.

The salt air environment of coastal areas or a high humidity environment can be corrosive to the porcelain enamel finish. These conditions can cause rusting of the cast iron beneath the porcelain enamel finish, which will cause the finish to flake off.

Dye lot variations with replacement parts and/or accessories can occur and are not covered by warranty.

GLASS DOORS: Glass doors are covered for a period of one year. Glass doors are not warranted for breakage due to misuse or accident. Glass doors are not covered for discoloration or burned in stains due to environmental issues, or improper cleaning and maintenance.

BRASS PLATED PARTS AND ACCESSORIES: Brass parts should be cleaned with Lemon oil only. Brass cleaners cannot be used. Mortar mix and masonry cleaners may corrode the brass finish. The Company will not be responsible for, nor will it warrant any brass parts which are damaged by external chemicals or down draft conditions.

GAS VALVES: Gas valves are covered for a period of one year

ELECTRONIC AND MECHANICAL COMPONENTS: Electronic and mechanical components of the burner assembly are covered for one year. All steel tube burners are warranted for one year.

ACCESSORIES: Unless otherwise noted all components and CFM Corporation company supplied accessories are covered for a period of one year.

CONDITIONS AND LIMITATIONS

- This new Vermont Castings or Majestic product must be installed by a competent, authorized, service contractor. A licensed technician, as prescribed by the local jurisdiction must perform any installation/service work. It must be installed and operated at all times in accordance with the Installation and Operating instructions furnished with the product. Any alteration, willful abuse, accident, or misuse of the product shall nullify this warranty.
- This warranty is non-transferable, and is made to the original owner, provided that the purchase was made through an authorized supplier of the Company.
- The customer must pay for any Authorized Dealer in-home travel fees or service charges for in-home repair work. It is the dealers option whether the repair work will be done in the customer's home or in the dealer's shop.
- If upon inspection, the damage is found to be the fault of the manufacturer, repairs will be authorized at no charge to the customer parts and/or labor.

- Any part and/or component replaced under the provisions of this warranty is covered for six months or the remainder of the original warranty, whichever is longest.
- This warranty is limited to the repair of or replacement of part(s) found to be defective in material or workmanship, provided that such part(s) have been subjected to normal conditions of use and service, after said defect is confirmed by the Company's inspection.
- The company may, at its discretion, fully discharge all obligations with respect to this warranty by refunding the wholesale price of the defective part(s)
- Any installation, labor, construction, transportation, or other related costs/expenses arising from defective part(s), repair, replacement, or otherwise of same, will not be covered by this warranty, nor shall the Company assume responsibility for same. Further, the Company will not be responsible for any incidental, indirect, or consequential damages except as provided by law.
- SOME STATES DO NOT ALLOW FOR THE EXCLUSION OR LIMITATIONS OF INCIDENTAL AND CONSEQUENTIAL DAMAGES OR LIMITATIONS ON HOW LONG AN IMPLIED WARRANTY LASTS, SO THE ABOVE LIMITATIONS MAY NOT APPLY TO YOUR CIRCUMSTANCES. THIS WARRANTY GIVES YOU SPECIFIC RIGHTS AND YOU MAY HAVE OTHER RIGHTS WHICH VARY FROM STATE TO STATE.
- All other warranties-expressed or implied- with respect to the product, its components and accessories, or any obligations/liabilities on the part of the Company are hereby expressly excluded.
- The Company neither assumes, nor authorizes any third party to assume on its behalf, any other liabilities with respect to the sale of this Vermont Castings or Majestic product
- The warranties as outlined within this document do not apply to chimney components or other non CFM Corporation accessories used in conjunction with the installation of this product..
- Damage to the unit while in transit is not covered by this warranty but is subject to claim against the common carrier. Contact the dealer from whom you purchased your fireplace/stove (do not operate the appliance as this might negate the ability to process the claim with the carrier).
- The Company will not be responsible for:
 - a) Down drafts or spillage caused by environmental conditions such as near-by trees, buildings, roof tops, hills, or mountains.
 - b) Inadequate ventilation or negative air pressure caused by mechanical systems such as furnaces, fans, clothes dryers, etc.
- This warranty is void if:
 - a) The fireplace has been operated in atmospheres contaminated by chlorine, fluorine, or other damaging chemicals.
 - b) The fireplace has been subjected to prolonged periods of dampness or condensation
 - c) Any damages to the fireplace, combustion chamber, heat exchanger or other components due to water, or weather damage, which is the result of but not limited to, improper chimney/venting installation.
 - d) Any alteration, willful abuse, accident, or misuse of the product has occurred.

IF WARRANTY SERVICE IS NEEDED...

- 1) Contact your supplier. Make sure you have your warranty, your sales receipt, and the model/serial number of your CFM Corporation product.
- 2) DO NOT ATTEMPT TO DO ANY SERVICE WORK YOURSELF.

Canada

ENERGUIDE

**Look for the EnerGuide
Gas Fireplace Energy
Efficiency Rating in this brochure**

Based on CSA P.4.1-02

Efficiency Ratings				
Model	EnerGuide Ratings Fireplace Efficiency (%)	Steady State (%)		D.O.E. (AFUE%)
		Fan-OFF	Fan-ON	
360DVS2RN	62.4	83	84	65
360DVS2RP	62.4	83	84	65
360DVS2EN	62.4	83	84	65
360DVS2EP	62.4	83	84	65
360DVS3RN	62.4	83	84	65
360DVS3RP	62.4	83	84	65
360DVS3EN	62.4	83	84	65
360DVS3EP	62.4	83	84	65
360DVSLRN	62.4	83	84	65
306DVSLRP	62.4	83	84	65
360DVSLEN	62.4	83	84	65
360DVSLEP	62.4	83	84	65
360DVSRRN	62.4	83	84	65
360DVSRRP	62.4	83	84	65
360DVSREN	62.4	83	84	65
360DVSREP	62.4	83	84	65

**NATIONAL
FIREPLACE
INSTITUTE**



CERTIFIED
www.nficertified.org

We recommend that our gas hearth products be installed and serviced by professionals who are certified in the U.S. by the National Fireplace Institute® (NFI) as NFI Gas Specialists.

CFM Corporation

2695 Meadowvale Blvd. • Mississauga, Ontario, Canada L5N 8A3
800-668-5323 • www.cfmcorp.com