

Makita

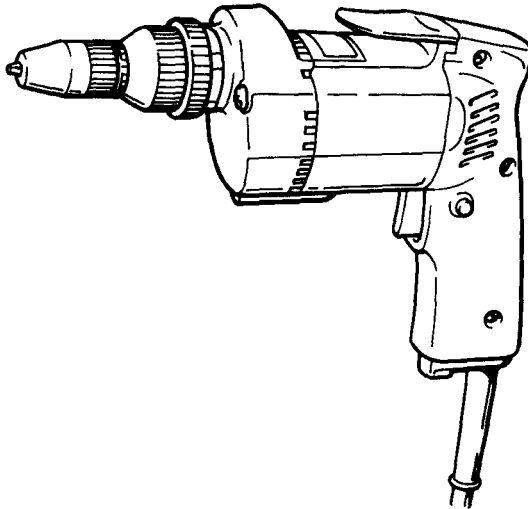
アメリカ

Screwdriver

MODEL 6805BV

Variable speed / Reversing

INSTRUCTION MANUAL



**DOUBLE
INSULATION**

SPECIFICATIONS

Capacities			Bit shank size	No load speed (RPM)	Overall length	Net weight
Self drilling screw	Machine screw	Wood screw				
6 mm (1/4")	8 mm (5/16")	6.2 mm (1/4")	1/4" Hex	0 - 2,500	267 mm (10-1/2")	1.9 kg (4.2 lbs)

* Manufacturer reserves the right to change specifications without notice.

* Note: Specifications may differ from country to country.

WARNING: For your personal safety, READ and UNDERSTAND before using.

SAVE THESE INSTRUCTIONS FOR FUTURE REFERENCE.

IMPORTANT SAFETY INSTRUCTIONS

(For All Tools)

WARNING: WHEN USING ELECTRIC TOOLS, BASIC SAFETY PRECAUTIONS SHOULD ALWAYS BE FOLLOWED TO REDUCE THE RISK OF FIRE, ELECTRIC SHOCK, AND PERSONAL INJURY, INCLUDING THE FOLLOWING:

READ ALL INSTRUCTIONS.

1. **KEEP WORK AREA CLEAN.** Cluttered areas and benches invite injuries.
2. **CONSIDER WORK AREA ENVIRONMENT.** Don't use power tools in damp or wet locations. Keep work area well lit. Don't expose power tools to rain. Don't use tool in presence of flammable liquids or gases.
3. **KEEP CHILDREN AWAY.** All visitors should be kept away from work area. Don't let visitors contact tool or extension cord.
4. **STORE IDLE TOOLS.** When not in use, tools should be stored in dry, and high or locked-up place — out of reach of children.
5. **DON'T FORCE TOOL.** It will do the job better and safer at the rate for which it was intended.
6. **USE RIGHT TOOL.** Don't force small tool or attachment to do the job of a heavy-duty tool. Don't use tool for purpose not intended.
7. **DRESS PROPERLY.** Don't wear loose clothing or jewelry. They can be caught in moving parts. Rubber gloves and non-skid footwear are recommended when working outdoors. Wear protective hair covering to contain long hair.
8. **USE SAFETY GLASSES.** Also use face or dust mask if cutting operation is dusty.
9. **DON'T ABUSE CORD.** Never carry tool by cord or yank it to disconnect from receptacle. Keep cord from heat, oil, and sharp edges.
10. **SECURE WORK.** Use clamps or a vise to hold work. It's safer than using your hand and it frees both hands to operate tool.
11. **DON'T OVERREACH.** Keep proper footing and balance at all times.
12. **MAINTAIN TOOLS WITH CARE.** Keep tools sharp and clean for better and safer performance. Follow instructions for lubricating and changing accessories. *Inspect tool cords periodically and if damaged, have repaired by authorized service facility. Inspect extension cords periodically and replace if damaged. Keep handles dry, clean, and free from oil and grease.*
13. **DISCONNECT TOOLS.** When not in use, before servicing, and when changing accessories, such as blades, bits, cutters.

14. **REMOVE ADJUSTING KEYS AND WRENCHES.** Form habit of checking to see that keys and adjusting wrenches are removed from tool before turning it on.
15. **AVOID UNINTENTIONAL STARTING.** Don't carry tool with finger on switch. Be sure switch is OFF when plugging in.
16. **OUTDOOR USE EXTENSION CORDS.** When tool is used outdoors, use only extension cords intended for use outdoors and so marked.
17. **STAY ALERT.** Watch what you are doing, use common sense. Don't operate tool when you are tired.
18. **CHECK DAMAGED PARTS.** Before further use of the tool, a guard or other part that is damaged should be carefully checked to determine that it will operate properly and perform its intended function. Check for alignment of moving parts, binding of moving parts, breakage of parts, mounting, and any other conditions that may affect its operation. A guard or other part that is damaged should be properly repaired or replaced by an authorized service center unless otherwise indicated elsewhere in this instruction manual. Have defective switches replaced by authorized service center. Don't use tool if switch does not turn it on and off.
19. **GUARD AGAINST ELECTRIC SHOCK.** Prevent body contact with grounded surfaces. For example; pipes, radiators, ranges, refrigerator enclosures.
20. **REPLACEMENT PARTS.** When servicing, use only identical replacement parts.
21. **POLARIZED PLUGS.** To reduce the risk of electric shock, this equipment has a polarized plug (one blade is wider than the other). This plug will fit in a polarized outlet only one way. If the plug does not fit fully in the outlet, reverse the plug. If it still does not fit, contact a qualified electrician to install the proper outlet. Do not change the plug in any way.

VOLTAGE WARNING: Before connecting the tool to a power source (receptacle, outlet, etc.) be sure the voltage supplied is the same as that specified on the nameplate of the tool. A power source with voltage greater than that specified for the tool can result in **SERIOUS INJURY** to the user — as well as damage to the tool. If in doubt, **DO NOT PLUG IN THE TOOL.** Using a power source with voltage less than the nameplate rating is harmful to the motor.

ADDITIONAL SAFETY RULES

1. **Always be sure you have a firm footing.
Be sure no one is below when using the tool in high locations.**
2. **Hold the tool firmly.**
3. **Keep hands away from rotating parts.**
4. **When driving into walls, floors or wherever "live" electrical wires may be encountered, DO NOT TOUCH ANY METAL PARTS OF THE TOOL!
Hold the tool only by the insulated grasping surfaces to prevent electric shock if you drive into a "live" wire.**
5. **Do not touch the bit or the workpiece immediately after operation: they may be extremely hot and could burn your skin.**

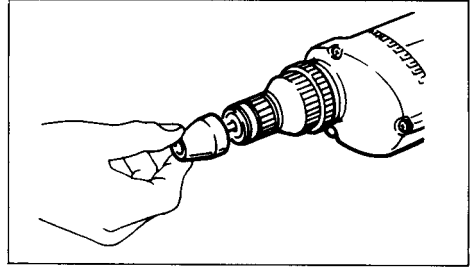
SAVE THESE INSTRUCTIONS.

Removing or installing bit

CAUTION:

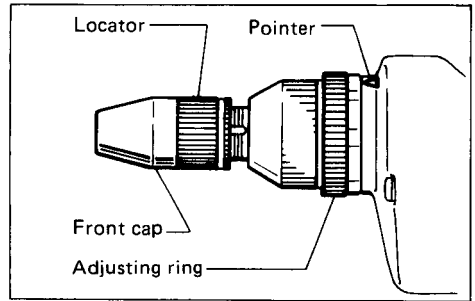
Always be sure that the tool is switched off and unplugged before removing or installing the bit.

To remove the bit, first pull the front cap off and then pull the bit firmly. To install the bit, insert it into the tool as far as it will go and then replace the front cap.

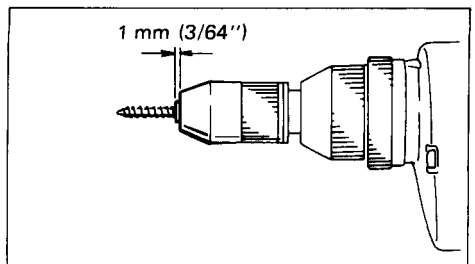
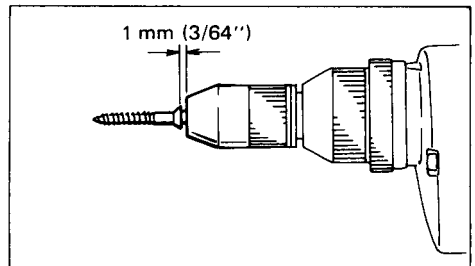


Depth adjustment

When you wish to drive self drilling screws, etc., adjust the depth as follows. Turn the locator to adjust the depth.



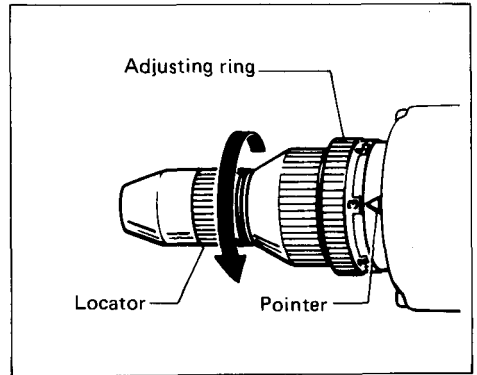
Initially, adjust the locator to create a distance of approximately 1 mm (3/64") from the tip of the front cap (which works in conjunction with the locator) to the base of the screw head. One full turn of the locator equals 1 mm (3/64") change in depth. After adjusting the locator, turn the adjusting ring so that the 6" mark is aligned with the pointer on the gear housing. Drive a trial screw into your material or a piece of duplicate material. If the depth is not suitable for the screw, continue adjusting until the proper depth setting is obtained.



Adjusting fastening torque

When you wish to drive machine screws, wood screws, hex bolts etc. with the pre-determined torque, adjust the fastening torque as follows.

The fastening torque may be adjusted by turning the adjusting ring. Before turning the adjusting ring, turn the locator in the direction of the arrow as far as it will go without forcing. The torque is increased by turning the adjusting ring in the direction of the arrow and decreased by turning it in the opposite direction. Align the



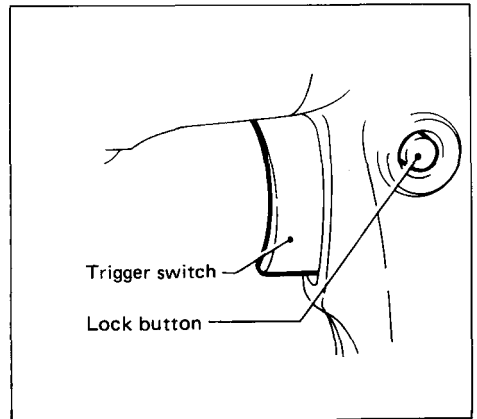
number 1 on the adjusting ring with the pointer on the gear housing. Drive a trial screw into your material or a piece of duplicate material. If the fastening torque is not suitable for the screw, continue adjusting until the proper torque is obtained.

CAUTION:

The adjusting ring should be turned only within the numbered range. It should not be forced beyond this range.

Switch action

Tool speed is increased by increasing pressure on the trigger. To start the tool, simply pull the trigger. Release the trigger to stop. For continuous operation, pull the trigger and then push in the lock button. To stop the tool from the locked position, pull the trigger fully, then release it.





CAUTION:

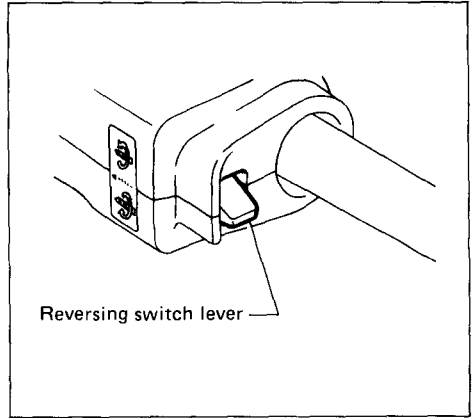
Before plugging in the tool, always check to see that the trigger switch actuates properly and returns to the "OFF" position when released.

NOTE:

Even with the switch on and motor running, the bit will not rotate until you fit the point of the bit in the screw head and apply forward pressure to engage the clutch.

Reversing switch action

This tool has a reversing switch to change the direction of rotation. Move the reversing switch lever to the  position for clockwise rotation or the  position for counterclockwise.

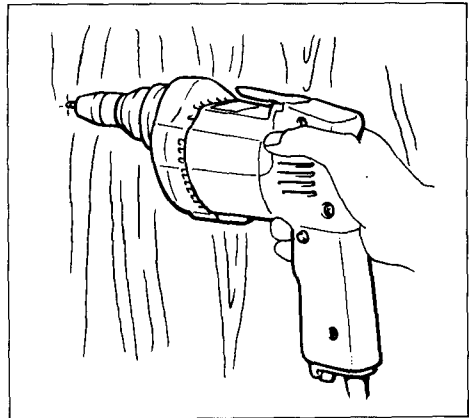


CAUTION:

- Always check the direction of rotation before operation.
- Use the reversing switch only when the tool comes to a complete stop. Changing the direction of rotation before the tool stops may ruin the tool.

Operation

Fit the screw on the point of the bit and place the point of the screw on the surface of the workpiece to be fastened. Apply pressure to the tool and start it. Withdraw the tool as soon as the clutch cuts in. Then release the trigger.



CAUTION:

- Use the proper bit for the head of the screw that you wish to use.
- When fitting the screw onto the point of the bit, be careful not to push in on the screw. If the screw is pushed in, the clutch will engage and the screw will rotate suddenly. This could damage a workpiece or cause an injury.
- Do not continue unnecessary clutching operation.

NOTE:

- Make sure that the driver bit is inserted straight in the screw head, or the screw and/or bit may be damaged.
- When driving wood screws, predrill pilot holes to make driving easier and to prevent splitting of the workpiece. See the chart.

Nominal diameter of wood screw	Recommended size of pilot hole
1/8"	5/64"
9/64"	3/32"
5/32"	7/64"
11/64"	1/8"
3/16"	1/8"
13/64"	9/64"
7/32"	5/32"
15/64"	11/64"
1/4"	11/64"

MAINTENANCE

CAUTION:

Always be sure that the tool is switched off and unplugged before attempting to perform inspection or maintenance.

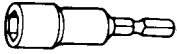
To maintain product SAFETY and RELIABILITY, repairs, carbon brush inspection and replacement, any other maintenance or adjustment should be performed by Makita Authorized or Factory Service Centers, always using Makita replacement parts.

ACCESSORIES

CAUTION:

These accessories or attachments are recommended for use with your Makita tool specified in this manual. The use of any other accessories or attachments might present a risk of injury to persons. The accessories or attachments should be used only in the proper and intended manner.

● Magnetic socket bit



Part No.	Size
784803-7	1/4"
784804-5	5/16"
784802-9	3/8"
784805-3	7/16"

● Front cap



Part No.	Size
322124-5	1/4"
322125-3	5/16"
322119-8	3/8"
322126-1	7/16"
322120-3	

● Phillips bit



Part No.	Size
784214-0A	#2
784215-0A	#3

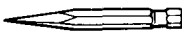
● Slotted bit



Part No.	Size
784010-0A	#5F
784011-0A	#7F

● Square drill bit

Part No. 784606-0A



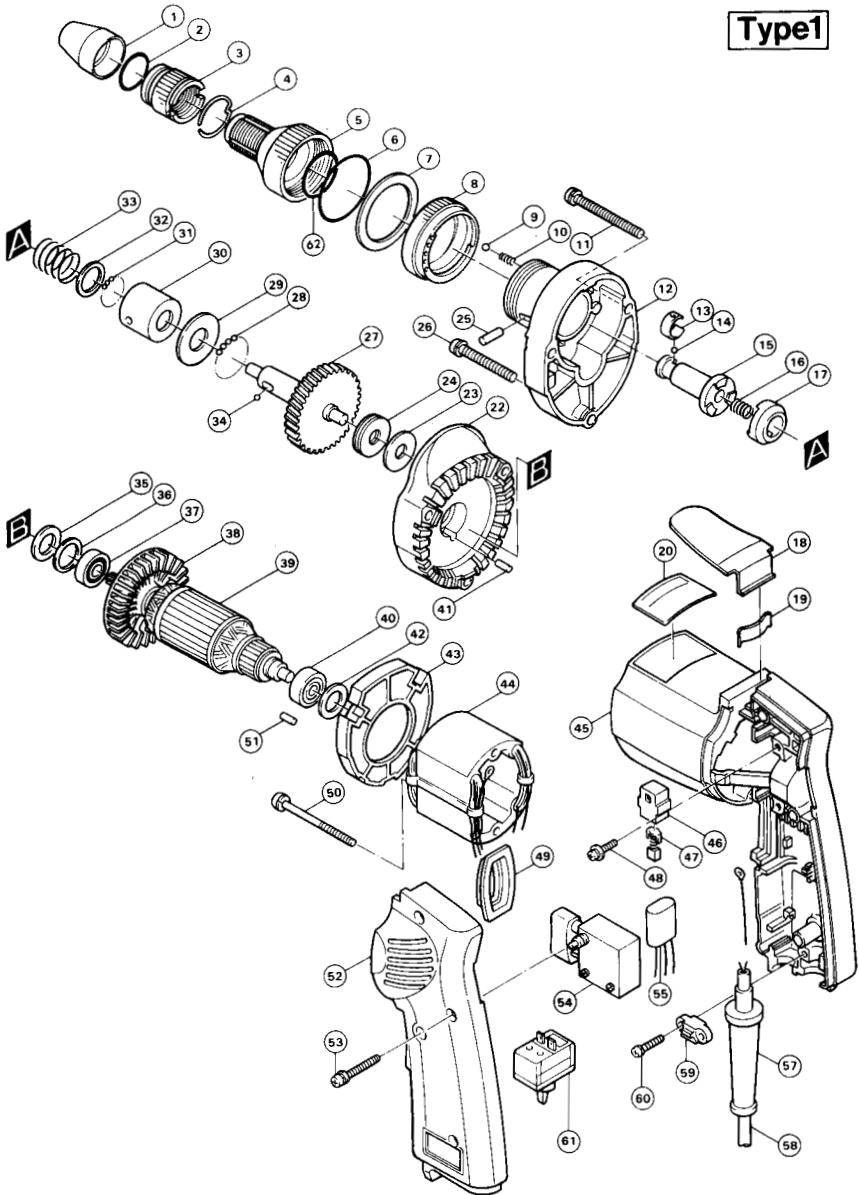
● Steel carrying case

Part No. 181853-7



SCREWDRIVER Model 6805BV

Type1



Note: The switch, noise suppressor and other part configurations may differ from country to country.

ITEM NO.	NO. USED	DESCRIPTION	ITEM NO.	NO. USED	DESCRIPTION
MACHINE			MACHINE		
1	1	Front Cap 12	32	1	Flat Washer 14
2	1	O Ring 20	33	1	Compression Spring 13.6
3	1	Adjust Sleeve	34	3	Steel Ball 5.6
4	1	Ring Spring 22	35	1	Urethane Washer 14
5	1	Clutch Cover	36	1	Flat Washer 14
6	1	O Ring 34	37	1	Ball Bearing 608LB
7	1	Flat Washer 36	38	1	Fan 52
8	1	Ring 36	39	1	ARMATURE ASSEMBLY (With Item 37 -- 40)
9	1	Steel Ball 4	40	1	Ball Bearing 627LB
10	1	Compression Spring 4	41	1	Rubber Pin 4
11	2	Pan Head Screw M5x50 (With Washer)	42	1	Flat Washer 14
12	1	Gear Housing	43	1	Baffle Plate
13	1	Leaf Spring	44	1	FIELD ASSEMBLY
14	1	Steel Ball 3.5	45	1	Motor Housing
15	1	Spindle	46	2	Brush Holder
16	1	Compression Spring 6	47	2	Carbon Brush
17	1	Clutch Cam	48	2	Pan Head Screw M4x14 (With Washer)
18	1	Hook	49	1	Switch Cover
19	1	Leaf Spring	50	2	Hex. Bolt M4x55 (With Washer)
20	1	Name Plate	51	1	Rubber Pin 4
22	1	Gear Housing Cover	52	1	Handle Cover
23	1	Urethane Washer 10	53	3	Pan Head Screw M4x28 (With Washer)
24	1	Thrust Needle Bearing 1023	54	1	Switch
25	1	Pin 3.5	57	1	Cord Guard
26	1	Pan Head Screw M5x40 (With Washer)	58	1	Cord
27	1	Gear	59	1	Strain Relief
28	26	Steel Ball 3.2	60	2	Pan Head Screw M4x18 (With Washer)
29	1	Flat Washer 14	61	1	Reversing Switch
30	1	Sleeve	62	1	O Ring 24
31	16	Steel Ball 3.2			

Note: The switch and other part specifications may differ from country to country.



MAKITA LIMITED ONE YEAR WARRANTY

Warranty Policy

Every Makita tool is thoroughly inspected and tested before leaving the factory. It is warranted to be free of defects from workmanship and materials for the period of ONE YEAR from the date of original purchase. Should any trouble develop during this one-year period, return the COMPLETE tool, freight prepaid, to one of Makita's Factory or Authorized Service Centers. If inspection shows the trouble is caused by defective workmanship or material, Makita will repair (or at our option, replace) without charge.

This Warranty does not apply where:

- repairs have been made or attempted by others;
- repairs are required because of normal wear and tear;
- The tool has been abused, misused or improperly maintained;
- alterations have been made to the tool.

IN NO EVENT SHALL MAKITA BE LIABLE FOR ANY INDIRECT, INCIDENTAL OR CONSEQUENTIAL DAMAGES FROM THE SALE OR USE OF THE PRODUCT. THIS DISCLAIMER APPLIES BOTH DURING AND AFTER THE TERM OF THIS WARRANTY.

MAKITA DISCLAIMS LIABILITY FOR ANY IMPLIED WARRANTIES, INCLUDING IMPLIED WARRANTIES OF "MERCHANTABILITY" AND "FITNESS FOR A SPECIFIC PURPOSE," AFTER THE ONE-YEAR TERM OF THIS WARRANTY.

This Warranty gives you specific legal rights, and you may also have other rights which vary from state to state. Some states do not allow the exclusion or limitation of incidental or consequential damages, so the above limitation or exclusion may not apply to you. Some states do not allow limitation on how long an implied warranty lasts, so the above limitation may not apply to you.

Makita Corporation

3-11-8, Sumiyoshi-cho,
Anjo, Aichi 446 Japan

883587B067

PRINTED IN JAPAN
1993 — 7 — N