



## **FUN KART**

### **Owner's/Operator's Manual Clutch and Torque Converter Models**

**WARNING: Read Engine Owner's Manual, Vehicle Operator's Manual and any Supplements Carefully and View "Operations and Safety" Video Before Operating Vehicle.**

- Assembly
- Operation
- Maintenance
- Warranty

THIS VEHICLE IS FOR OFF-ROAD USE ONLY.

THIS VEHICLE IS NOT DESIGNED FOR USE ON RENTAL TRACKS OR RACING.


BEFORE OPERATING THIS VEHICLE, THE OWNER AND EACH OPERATOR MUST UNDERSTAND THIS VEHICLE WAS NOT DESIGNED OR MANUFACTURED TO MEET SPECIFICATIONS FOR USE ON PUBLIC ROADS, STREETS, HIGHWAYS, AND THOROUGHFARES. THE OWNER AND EACH OPERATOR MUST READ AND UNDERSTAND ALL THE INSTRUCTIONS FOR PROPER ASSEMBLY AND SAFE OPERATION, AS WELL AS THE INSTRUCTIONS CONCERNING THE ENGINE AND ALL OTHER PORTIONS OF THE VEHICLE. CHILDREN MUST BE OF AGE 8 OR OLDER AND SUPERVISED BY AN ADULT AT ALL TIMES WHEN USING THE FUN-KART.


# TABLE OF CONTENTS


<b>SAFETY</b> .....	3
Important Rules for Safe Operation .....	3
Terminology .....	7
Qualifications for Fun-Kart Users .....	7
Consumer Responsibility for Safe Use and Maintenance of Fun-Karts .....	8
<b>MANCO POWERSPORTS, LIMITED WARRANTY</b> .....	10
<b>COMBINATION LAP AND SHOULDER BELT RESTRAINT SYSTEM</b> .....	11
<b>SAFETY FLAG</b> .....	14
<b>PRE-RIDE INSPECTION</b> .....	15
Engine Stopped Inspections .....	16
Engine Started Inspections .....	17
<b>OPERATION</b> .....	18
Operating Controls .....	18
Throttle .....	18
Brake .....	18
Steering .....	18
Engine Stop Switch .....	18
Parking Brake .....	18
Clutch .....	19
Control Console .....	19
Operating Instructions .....	20
Pre-Ride Inspection .....	20
Engine Fluids .....	20
Tire Pressure .....	20
Testing .....	20
Seat Adjustment .....	21
Passenger Restraint System and Handhold .....	22
Operation .....	23
Turning .....	24
Slippery Surfaces and Skids .....	25
Passengers .....	25
<b>MAINTENANCE</b> .....	26
Tool List .....	26
Locknuts .....	26
Engine Service .....	27
Drive Components .....	27
Chains .....	27
Clutch .....	31
Torque Converter .....	32


Chassis and Steering .....	33
Decals .....	37
Brake Service .....	37
Disc Brake .....	37
Band/Drum Brake .....	40
Throttle Cable .....	42
Inspection .....	42
Throttle Cable Housing Adjustment .....	42
Battery .....	43
Light Bulbs .....	44
Replacement Bulbs .....	44
Head/Tail Light Fuse .....	44
Replacement Fuse .....	44
<b>STORAGE</b> .....	<b>45</b>
<b>HOW TO ORDER REPAIR PARTS</b> .....	<b>45</b>
<b>PERIODIC MAINTENANCE SCHEDULE</b> .....	<b>46</b>

## SAFETY

 This is the safety alert symbol. When you see this symbol on your machine or in this manual, be alert to the potential for personal injury.


 Read and follow all instructions in this Owner's/Operator's manual, any accompanying supplements, and the Engine Owner's Manual before attempting to operate this Fun-Kart. Make sure to view the Operations and Safety video.


 **WARNING:** Indicates a potential hazard which could result in severe personal injury or death.

 **CAUTION:** Indicates a potential hazard which may result in personal injury or damage to the Fun-Kart.


**NOTE:** Use of the word "NOTE" will alert you to key information or instructions.


### *Important Rules for Safe Operation*

-  **WARNING: Exhaust fumes are toxic.**
- California Proposition 65 **WARNING:** Gasoline engine exhaust from this FUN-KART contains chemicals known to the State of California to cause cancer, birth defects or other reproductive harm. The engine exhaust contains carbon monoxide, which is a tasteless, odorless, poisonous gas.
  - NEVER operate this FUN-KART indoors or in an enclosed area without adequate ventilation.

 **WARNING: This Fun-Kart is not licensable. DO NOT operate it on any public road, street, highway, sidewalk or alley.**


- This Fun-Kart may be operated only on private property and areas approved by local law.


 **WARNING: This Fun-Kart may have been supplied to you completely assembled. To prevent possible injury or death read and follow the assembly instructions to make sure the Fun-Kart was assembled properly.**

 **WARNING: Always perform Daily Pre-Ride inspections as outlined in this manual.**


 **WARNING: Check tire pressure before each use.**

Prior to operating the vehicle check and adjust tire pressure to the proper operating pressure as indicated on the sidewall of each tire. A tire pressure gauge is required to obtain accurate readings.


 **WARNING: Fun-Kart modification or removal of original equipment or safety decals can render the Fun-Kart unsafe for operation.**

 **WARNING: Safety decals must be replaced if they become unreadable or detached from the Fun-Kart.**


- If decals are unreadable or missing, warning of potential hazards or safety requirements may be lacking.

 **WARNING: This FUN-KART is not designed or intended for stunt riding, spinouts, donuts, racing, or any form of competition.**

 **WARNING: This FUN-KART is not designed to be used on rental tracks of any kind.**

 **WARNING: The safe operation of this Fun-Kart is dependent upon the operator's ability to exercise proper judgment.**

- Operator must not be too small or too large for controlled operation.
- Operator must be of sufficient age, understanding, mental capacity and physical capability to safely operate this Fun-Kart.
- Safe operation includes responsibility for the safety of any passenger in a two seat Fun-Kart.
- Fun-Kart should only be operated after mature, supervised, instruction and sufficient practice in an uncongested area.

 **WARNING: One passenger is allowed only in a specifically designated double seat Fun-Kart.**

- Passenger must be of sufficient age, understanding, mental capacity and physical capability to act to protect himself/ herself. To qualify as a passenger, a person must meet the requirements listed in OPERATION-OPERATING INSTRUCTIONS.

**⚠ WARNING: Operator (and any passenger) of this Fun-Kart MUST always wear a properly fitting motorcycle type helmet approved by agencies such as the Department of Transportation (DOT), Safety Helmet Council of America (SHCA), or Snell Memorial Foundation (SNELL).**

- Most Fun-Kart accident fatalities are due to head injuries.
- Operator (and any passenger) should also wear face shields or goggles, boots, gloves and other appropriate protective clothing. (See OPERATION-OPERATING INSTRUCTIONS.)

**⚠ WARNING: Long hair, loose clothes, or jewelry can get caught in moving parts below and behind the seat or surrounding environment.**

Remove or tie back anything loose that can reach below and behind the seat before riding.

**⚠ WARNING: NEVER place hands, feet, any body parts or clothing near the engine, wheels, chain and other rotating parts of the Fun-Kart while riding or running the engine.**

- Use caution in performing required maintenance on or near operating engine.
- Use caution after the engine has been running, since the engine and other drive components may be extremely hot.

**⚠ WARNING: NEVER adjust, repair or clean the Fun-Kart while it is in motion.**

**⚠ WARNING: STOP the engine if the Fun-Kart makes unusual noises or vibrations.**

- Check the Fun-Kart for damage.
- Excessive noise or vibration is a sign of loose or worn parts.

**⚠ WARNING: Keep guards and pads in place at all times.**

Prevent accidental contact by the operator or service personnel while the FUN-KART is running. The guards over the brake, clutch or torque converter, axle and drive sprockets also help prevent mud and debris from coming in contact with those items.

**⚠ WARNING: Be sure the passenger restraint system is properly adjusted and fastened at all times during operation.**

- If the passenger restraint system is not properly used by the operator and/or passenger, loss of control and possible personal injury and/or Fun-Kart damage can occur.

**⚠ WARNING: When there is no passenger in a two seat kart, the passenger's seatbelt must be securely fastened within the Fun-Kart.**

- Unused and unsecured seat belts pose a safety risk by snagging on the surrounding environment or becoming entangled in the running gear of the Fun-Kart.

**⚠ WARNING: All screws, nuts and bolts must be properly tightened to make sure the FUN-KART is in safe operating condition.**

**NOTE:** Overtightening hardware where parts are required to move, such as front wheels, spindles, a-arm pivots, etc., can restrict movement and cause a loss of control and possible injury.

**⚠ WARNING: Prevailing-torque-type locknuts must be replaced with new after the old locknuts have been removed.**

Replace with the same type of locknut to make sure they function properly. Refer to the maintenance section for more information on locknuts.

**⚠ WARNING: Keep the engine free of dirt and debris, especially in the throttle linkage area.**

**⚠ WARNING: NEVER start the engine without checking to see that the throttle control is in idle position and parking brake is set.**

**⚠ WARNING: NEVER start the engine without the operator properly seated and the restraint system properly adjusted and secured.**

**⚠ WARNING: NEVER tamper with, alter or change the Fun-Kart's engine governor settings.**

- The governor as set by the engine manufacturer, limits maximum engine speed and protects the engine from damage.
- Excessive engine speed is potentially dangerous to operator, passenger, bystanders and engine.

**⚠ WARNING: Excessive Fun-Kart speed is potentially dangerous to operator, passengers and others.**

**⚠ WARNING: Check fuel supply before each use.**

- NEVER fill fuel tank while the engine is running or hot.
- DO NOT overfill tank.
- ALWAYS allow at least 1/2" of expansion space at the top of tank.
- There should not be any fuel in the filler neck.
- Replace cap tightly to prevent a fuel spillage fire hazard.

**NOTE:** Always use an original gas cap or OEM replacement.

- NEVER fill fuel tank while the Fun-Kart is inside a building.
- After filling the tank, move the Fun-Kart at least ten feet before attempting to start the engine.
- Read the Engine Owner's Manual for fueling information.

**⚠ WARNING: ALWAYS use extreme caution when starting the engine.**

- Hot engine, muffler or drive components can burn on contact.

**⚠ WARNING: Wet, slippery, rough or sloped terrain is potentially dangerous and may result in injury if proper caution is not observed.**

- ALWAYS SLOW DOWN.
- Operator must use mature judgment, skill and experience to choose a speed suitable for terrain and riding conditions in protecting operator, passenger and any bystanders.
- Operator must use mature judgement, skill and experience in choosing suitable terrain for individual operational capabilities.

**⚠ WARNING: ALWAYS SLOW DOWN when turning.**

- High-speed turning can cause loss of control, possible Fun-Kart turn-over and/or possible operator and/or passenger injury.
- Turning on a slope increases the risk of rollover.
- Practice operation is required to coordinate turning skill.
- Failure to operate this Fun-Kart at a safe speed while turning can result in a strong possibility of severe personal injury.

**⚠ WARNING: When turning on pavement, loose gravel, or similar surfaces, there is an increased risk in loss of control.**

- ALWAYS SLOW DOWN!

**⚠ WARNING: Washing or operating the Fun-Kart in freezing temperatures can result in water freezing in the throttle cable conduit and/or on the throttle mechanism.**

- This may result in the throttle sticking which can cause the engine to continue to run and result in loss of control.

**⚠ WARNING: Operating the Fun-Kart in conditions where water, mud, snow, dirt, sand or other debris can get into the throttle cable conduit and/or on the throttle mechanism can cause binding of the cable and/or the throttle mechanism.**

- This may result in the throttle sticking which can cause the engine to continue to run and result in loss of control.

**⚠ WARNING: Assembly, maintenance and/or repair of this FUN-KART should only be performed by designated dealers or authorized small engine repair centers, for engine repairs, so that no unsafe conditions or modifications are made.**

**⚠ WARNING: Read and keep all supplied printed material.**

- Supplements to this Operator's Manual contain updated information relative to your specific Fun-Kart model. It is important to keep all of these documents for reference.

**⚠ CAUTION: ALWAYS stop the engine when the Fun-Kart is not in use.**

**⚠ CAUTION: When making repairs or adjustments to the Fun-Kart, the spark plug wire MUST be disconnected and kept away from the spark plug to prevent accidental starting.**

- When working on, around, or restarting engine, use extreme caution to avoid contact with the muffler, cylinder head or any potentially hot area on or around the engine.
- Ensure that all guards are in place prior to starting the engine.

**⚠ CAUTION: During Fun-Kart storage, keep it in a place where gasoline fumes will not reach an open flame, spark or other source of ignition.**

- Read the Engine Owner's Manual for storage information.
- For long term storage, fuel tank should be drained in an open, cool area.
- Engine must be allowed to cool before storage in any enclosure.
- NEVER store the Fun-Kart in close proximity to appliances such as hot water heaters or furnaces.

**⚠ CAUTION: NEVER operate Fun-Kart while under the influence of alcohol, drugs or medication of any kind.**

- Such operation is dangerous to yourself and/or others.

**⚠ CAUTION: Brush Bars assembled to this Fun-Kart are for decorative purpose, headrest support and limited brush protection.**

- Brush Bars were not designed for roll over or to restrict all brush or tree branches from protruding into operator/passenger compartment.

**⚠ CAUTION: If the Fun-Kart should start making unusual noise or vibrating abnormally, the engine should be stopped and the spark plug wire disconnected. The vehicle should then be checked for damage. Excessive noise or vibration is generally a warning of loose or worn parts.**

## Terminology

- **Axle Guard** - a device, which covers the drive axle on Fun-Karts, so that the possibility of injury resulting from hand, hair, loose clothing or body part contacting the axle is reduced.
- **Brush Bars** - any device supplied by the manufacturer intended to deflect loose vegetation from the path of the Fun-Kart operator and passenger (on two-seat karts).
- **Centrifugal Clutch** – a mechanical rotor drum and sprocket device which engages above idle speed and disengages at idle speed to provide motion to the Kart.
- **Concession Kart** - karts used by the public for a fee.
- **Engine Stop Switch** – a two position switch that, when activated, causes the engine to stop or not operate.
- **Fun-Kart** - a gas powered motorized vehicle with four wheels sold commercially as consumer goods and intended for private personal recreational use by consumers for off-road use on suitable terrain, as recommended by the manufacturer, at speeds of over 12 mph, but not exceeding 40 mph.
- **Motorcycle Type Helmet** - a helmet normally used by operators of motorcycles, approved by agencies such as the Department of Transportation (DOT), Safety Helmet Council of America (SHCA) or Snell Memorial Foundation (SNELL). It must be without defects which may impair safety related function and be properly sized for the operator of the Fun-Kart.
- **Race Kart** - karts intended by the manufacturer for racing on tracks, streets or other areas in competition.
- **Supervisor** - a competent person of legal age of consent knowledgeable with regard to the Fun-Kart, its safe operation and maintenance, who is responsible for ensuring that each operator and passenger (in any two-seat Fun-Kart) comply with the manufacturers' written materials for use, maintenance and operation.
- **Throttle Stop** - a device used to limit the travel of the throttle control.
- **Torque Converter** - belt drive variable speed transmission. Consists of a drive clutch, belt and driven pulley. The torque converter is disengaged at engine idle speeds.
- **Two-Seat Fun-Kart** - a Fun-Kart with seating designed to accommodate one operator and one passenger.

## Qualifications for Fun-Kart Users

Fun-Karts are restricted to use by operators and passengers with a minimum age of eight years old. Fun-Karts are intended for use by operators who meet the physical and cognitive capabilities set out by the manufacturer in the material provided with the

Fun-Kart. Some Fun-Karts have further age restrictions on operators and passengers on speed and performance of the Kart. Check and comply with safety decals on the Karts.



## ***Consumer Responsibility for Safe Use and Maintenance of Fun-Karts***

1. Fun-Karts shall not be modified from the manufacturer's original design and configuration.
2. Fun-Karts shall not be used to perform racing, stunt riding, jumps, spin-outs, donuts or other maneuvers as they may cause loss of control of the Fun-Kart or may cause uncontrolled operator/passenger or Fun-Kart actions or reactions. As such, these activities are likely to result in possible injury to the operator, passenger, bystanders or a combination thereof.
3. Prior to each cycle of operation, a supervisor shall perform the preoperation checks specified by the manufacturer, and further verify:
  - a. Smooth throttle operation and positive return of the throttle linkage to a closed throttle position when released;
  - b. That the throttle cable and linkages operate properly and the throttle cable or other linkages be adjusted properly;
  - c. That the steering linkage is adjusted and operates properly;
  - d. That the engine stop switch is properly functioning;
  - e. That all guards and pads originally supplied by the manufacturer are in proper place on the Fun-Kart and in serviceable condition;
  - f. That the area where the Fun-Kart is operated is safe and suitable for Fun-Kart operation;
  - g. That engine idle speed is below the point of clutch or torque converter engagement;
  - h. That brush bars are securely mounted and intact;
  - i. That, on those Fun-Karts equipped with restraints, such restraints are in good condition, functioning properly, and used appropriately;
  - j. That the gas tank is in good condition and the proper gas cap is fastened securely;
  - k. That the braking system on the Fun-Kart is functioning properly;
  - l. That all safety labels are in place, legible and understood by the operator and any passenger (on Fun-Karts designed to carry an operator and a passenger);
  - m. That any and all axle guards, chain guards, torque converter covers, or other covers or guards supplied by the manufacturer are in place and in serviceable condition;
  - n. That tires are in good condition, inflated properly, and have sufficient tread remaining; and
  - o. That all fasteners are in place and tightened securely.
4. Fun-Kart engines shall not be started unless the operator and any passenger (in a two-seat Fun-Kart) are seated in the proper position for vehicle operations with the operator's hands on the steering wheel and the brake fully engaged.
5. Long hair, loose clothes, or jewelry can get caught in moving parts below the seat or surrounding environment. Remove or tie back anything loose that can reach below or behind the seat before riding.
6. Fun-Karts shall be fueled only by a supervisor knowledgeable with regard to proper fueling techniques as established by the Fun-Kart's engine manufacturer's manual.
7. A supervisor shall verify personally that everyone operating or riding (in a two-seat Fun-Kart) is knowledgeable, capable, and has the cognitive capacity to operate the Fun-Kart safely, including those items specified in 1 through 6.
  - a. The supervisor only shall allow the use and operation of the Fun-Kart after a demonstration that each operator can understand and operate all components of the Fun-Kart prior to use.
  - b. The supervisor shall provide continuous supervision during Fun-Kart use.
  - c. The supervisor shall not allow anyone to ride in or operate Fun-Kart with long hair, loose clothes, or jewelry which can get caught in moving parts below the seat or surrounding environment. Remove or tie back anything loose that can reach below or behind the seat before riding.
8. Fun-Kart operators and passengers (in two-seat karts) shall adhere to all manufacturer's recommendations and instructions, as well as comply with all laws and ordinances, as well as:
  - a. Operators shall stay seated with both hands on the steering wheel and both feet in the Fun-Kart at all times, whether moving or stationary, unless the Fun-Kart is stopped completely and the engine has been turned off;

- b. Passengers (in two-seat Fun-Kart) shall remain seated with arms and legs inside the Fun-Kart at all times during Fun-Kart operations;
- c. Shall observe minimum age restrictions;
- d. Shall not ride the Fun-Kart if long hair, loose clothes, or jewelry reach below or behind the seat;



**WARNING: Risk of death or serious injury!**

**Long hair, loose clothes, or jewelry can get caught in moving parts below and behind the seat or surrounding environment.**

**Remove or tie back anything loose that can reach below or behind the seat before riding.**

- e. Shall not allow smoking in Fun-Kart;
  - f. Persons under the influence of drugs, alcohol, or intoxicants shall not supervise, operate, or ride in a Fun-Kart;
  - g. Fun-Karts shall operate only on surface or terrain as recommended by the Fun-Kart's manufacturer;
  - h. Fun-Karts shall not be operated on roads, streets, highways, or at any other location where road vehicles are intended to travel; and
  - i. Fun-Karts shall be operated only with adequate lighting and under conditions of suitable visibility.
9. Persons with the following conditions shall not ride in or operate a Fun-Kart:
    - a. Those with heart conditions;
    - b. Pregnant women;
    - c. Persons with head, back, or neck ailments, or prior surgeries to those areas of the body; and
  - d. Persons with any mental or physical conditions, which may make them susceptible to injury or impair their physical dexterity or mental capabilities to recognize, understand, and perform all of the safety instructions, and be able to assume the hazards inherent in Fun-Kart use.
  10. Fun-Karts shall not be used to:
    - a. Transport a passenger except in the seating area provided by the manufacturer on two-seat karts;
    - b. Transport materials or equipment, unless otherwise specified by the manufacturer;
    - c. Transport animals.
  11. Single-seat karts shall be used by the operator only.
  12. Fun-Kart operators and passengers always shall use appropriate protective clothing, including but not limited to a motorcycle type helmet and eye protection, with appropriate certification, and any other equipment recommended by the Fun-Kart manufacturer including gloves, footwear, long sleeve shirts and long pants.
  13. No operator, passenger, or other person shall contact any portion of the engine, wheels, or drive train for any purpose including maintenance until the engine has been turned off and allowed to cool, and the Fun-Kart is in a stable and stationary position.
  14. Passenger restraints must be used in accordance with, and limited to, the manufacturer's guidelines.
  15. Fun-Kart components shall be maintained and repaired in accordance with the manufacturer's specifications and utilizing only the manufacturer's authorized replacement parts with installation performed by designated dealers or other skilled persons.

# MANCO POWERSPORTS LIMITED WARRANTY

## LIMITED WARRANTY

Manco PowerSports (hereinafter referred to as "Manco") hereby warrants to the **original purchaser** that the frame and components of the new Manco vehicle will be free from defects in materials and workmanship. The period of the warranty is **thirty (30) days** from the date of purchase for the component parts (except as noted below), and for a period of **ninety (90) days** from the date of purchase for the frame. Manco, if notified of a defect in material or workmanship during the period of the warranty, will repair or replace, at its option, the defective part at no charge, other than the reasonable cost for the transportation of the component(s). Manco will also agree to pay reasonable charges for labor, if necessary to perform a warranty repair.

The original purchaser must operate the vehicle and maintain the vehicle in accordance with the instructions provided in the Operator's Manual, the supplements thereto and the labels affixed to the vehicle. Additionally, within ten (10) days of the discovery of the alleged defect, the original purchaser must provide written notification to **Manco's Customer Service Department at 4404 Engle Ridge Drive, Ft. Wayne, Indiana 46804**.

**GENERAL EXCLUSIONS:** This limited warranty does not cover component failure or damage caused by any of the following: collision; abnormal strain or stress; neglect; abuse; improper assembly of components which were provided in the factory sealed carton, after the vehicle left Manco; improper maintenance; improper use of the vehicle, including, but not limited to racing, jumping, stunt driving, or any other use prohibited by the Operator's Manual. Additionally, this warranty does **not** cover component failure or damage to vehicles which are leased or rented, or vehicles which are used at a concession track.

**SPECIFIC EXCLUSIONS:** This limited warranty does not apply to components which are subject to normal wear and tear. These items include, but are not limited to the tires, the clutch, the brake(s), the throttle cable, drive belt(s), the torque converter, chain(s), the seat, lights, fasteners, padding, decals and cosmetic body panels. Additionally, this warranty does **not** apply to the engine which is warranted by its manufacturer.

**MANCO MAKES NO OTHER WARRANTY OF ANY KIND, EXPRESS OR IMPLIED. ALL WARRANTIES OF MERCHANTABILITY AND FITNESS FOR A PARTICULAR PURPOSE WHICH EXCEED THE OBLIGATIONS AND TIME LIMITATIONS SPECIFIED IN THE WARRANTY ABOVE ARE HEREBY DISCLAIMED BY MANCO AND EXCLUDED FROM THIS WARRANTY. ADDITIONALLY, THIS WARRANTY EXCLUDES ANY INCIDENTAL OR CONSEQUENTIAL DAMAGES, INCLUDING BUT NOT LIMITED TO LOSS OF USE. SOME STATES DO NOT ALLOW A MANUFACTURER TO EXCLUDE OR LIMIT INCIDENTAL OR CONSEQUENTIAL DAMAGES AND, THEREFORE, THE ABOVE EXCLUSION MAY NOT APPLY TO YOU.**

**SOME STATES DO NOT ALLOW A MANUFACTURER TO LIMIT HOW LONG AN IMPLIED WARRANTY WILL LAST. THEREFORE, IT IS POSSIBLE THAT THE ABOVE LIMITATION MAY NOT APPLY TO YOU.**

**THIS WARRANTY PROVIDES SPECIFIC LEGAL RIGHTS. YOU MAY ALSO HAVE OTHER LEGAL RIGHTS WHICH VARY FROM STATE TO STATE.**

## COMBINATION LAP AND SHOULDER BELT RESTRAINT SYSTEM

### COMBINATION LAP AND SHOULDER BELT RESTRAINT SYSTEM USE AND MAINTENANCE

This vehicle is shipped with a combination lap and shoulder belt restraint system for each occupant location. The combination lap and shoulder belt restraint system must be installed in the kart according to the Assembly Instructions provided with this kart.

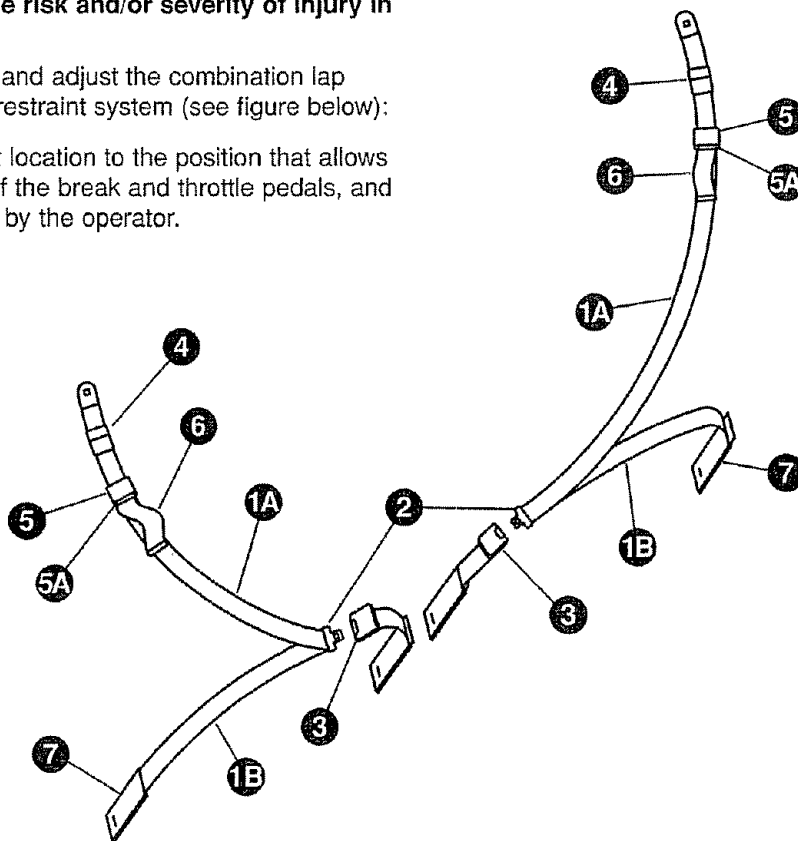
The proper use of the combination lap and shoulder belt restraint system can reduce the chance of and/or severity of injury in an accident. The combination lap and shoulder belt restraint system must be worn by each occupant while the kart is being operated.

**⚠ WARNING: The number of occupants must never exceed the number of restraint systems in the kart. Never use a single belt for more than one person. Failure to follow these warnings could increase the risk and/or severity of injury in an accident.**

To properly fasten and adjust the combination lap and shoulder belt restraint system (see figure below):

1. Adjust the seat location to the position that allows full operation of the break and throttle pedals, and steering wheel by the operator.

2. Find the long strap of the restraint system (1A and 1B) and pull it across the shoulder, chest and lap inserting the metal tongue (2), on the strap, into the buckle (3) until it is securely latched. To do this may require the adjustment of the shoulder portion of the strap (1A) to its maximum length and unwinding of the webbing in the web winder (4). To adjust the shoulder portion of the strap (1A) to the maximum length, lift up on the metal tab (5A) on the adjuster (5) and pull down on the strap (1A).
3. In two seat karts, follow the above instructions and use the buckle closest to the hip of the occupant when fastening the restraint system.
4. Adjust the lap part of the belt (1B) by pulling up on the shoulder part of the belt (1A) until the lap part of the belt fits snugly and as low as possible around the hips.



5. Adjust the shoulder part of the belt (1A) by pulling down on the free end of the shoulder belt (6). Make sure that all of the webbing has been unwound from the web winder (4) and that the belt is snug across the shoulder and chest with no more than one inch of space between the chest of the occupant and the belt.
6. For a two seat kart, the passenger must be restrained in the same manner as outlined in steps 2, 3, 4, and 5 above. If the occupants are not capable of accomplishing steps 2, 3, 4, and 5 above, adult supervision, as with other aspects of the proper use of the kart, must ensure that the occupants are properly restrained as described in steps 2, 3, 4, and 5 above.

**⚠ WARNING: The lap belt portion of the restraint system must fit snugly and as low as possible around the occupant's hips. If the combination lap and shoulder belt restraint system are not used properly, the risk of injury in an accident greatly increases.**

**⚠ WARNING: Use the shoulder portion of the belt over the shoulder only. Never place the shoulder belt under the arm. Never place it behind the neck and over the other shoulder. Failure to follow these warnings could increase the risk and/or severity of injury in an accident.**

**⚠ WARNING: Never use a combination lap and shoulder belt restraint system for more than one person. Failure to follow this warning could increase the risk and/or severity of injury in an accident.**

To unfasten the restraint system:

1. Push the red release button on the buckle. That allows the tongue to unlatch from the buckle.
2. While the belt retracts, guide the tongue to its original retracted position. If the tongue is not guided, it may strike the occupant and cause injury.


Combination Lap and Shoulder Belt Restraint System Inspection:


1. Each time before operating the kart:
  - a. Inspect the webbing of the restraint system(s) for abrasion, cuts or broken stitching. Replace the restraint system(s) if the webbing is cut or abraded.
  - b. Verify that the metal tongue(s) latches securely when inserted in the buckle(s). If not, clean the buckle(s) and metal tongue(s) as described in the Combination Lap and Shoulder Belt Restraint System Maintenance section below.
  - c. Verify that the metal tongue(s) releases from the buckle(s) when the release button(s) is pressed. If not, clean the buckle(s) and metal tongue(s) as described in the Combination Lap and Shoulder Belt Restraint System Maintenance section below.
  - d. Verify that the web winder(s) is retracting the web located above the adjuster. If not, clean the web winder(s) and webbing as described in the Combination Lap and Shoulder Belt Restraint System Maintenance section below.
  - e. Inspect the plastic sleeves (7) for damage. If the plastic sleeves do not hold the belt erect they must be replaced.
  - f. Verify that the restraint system(s) is securely attached to the kart with the specified bolts and nuts.
2. If any of the above fault conditions exist, DO NOT operate the kart until corrected.


Combination Lap and Shoulder Belt Restraint System Maintenance:


1. The buckle(s) and metal tongue(s) may require periodic cleaning to ensure that they latch and unlatch properly. That can be accomplished by flushing them out with water and drying. The buckle(s) must be dried to ensure there is no water inside that can freeze and render the buckle(s) inoperable.

2. The web winder(s) and or webbing may require periodic cleaning to ensure that they wind up the webbing located above the adjuster. That can be accomplished by flushing them out with water and drying. The web winder(s) and webbing must be dried to ensure there is no water that can freeze and render the web winder(s) inoperable.
3. The webbing of the restraint system(s) may require periodic cleaning which can be accomplished by washing with plain water. The webbing must be dried to prevent freezing.

 **WARNING:** The maintenance of the restraint system as described above is required to ensure proper functioning to reduce the risk and/or severity of injury in an accident.

 **WARNING:** The proper functioning of the web winder(s) and plastic sleeves on the belts are critical to minimizing the possibility of the belts being outside the kart and becoming entangled in the rear wheels or snagging a fixed object.

 **WARNING:** Read, understand, and obey all **WARNINGS** in the Operator's Manual or other documents provided with this kart before and when using the kart.

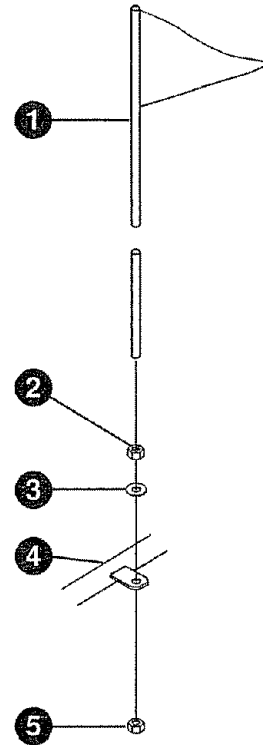
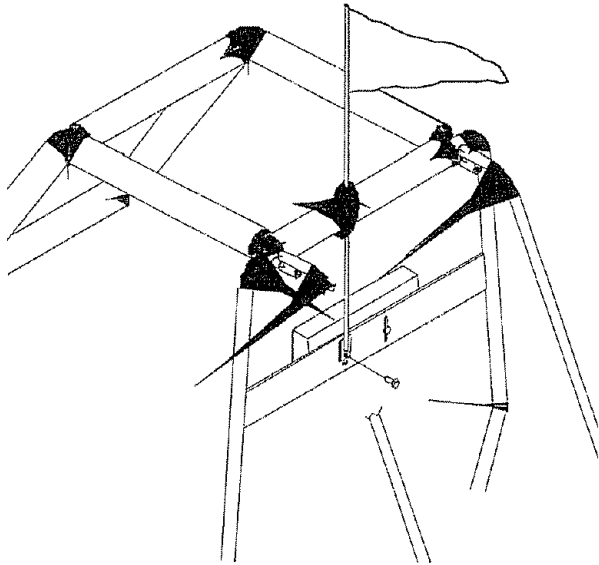
 **WARNING:** The occupant(s) of this vehicle should always wear a minimum of approved helmet, face shield or goggles, and other appropriate protective clothing.

## SAFETY FLAG

**⚠ WARNING:** The Safety Flag is added to this kart for off-road visibility ONLY. It is provided, and required, for increased visibility, especially on hilly terrain and is required by law in many states.

### ASSEMBLY INSTRUCTIONS

1. Attach Safety Flag to the back of the headrest mounting strap using the bolt provided in the parts bag for mounting the Headrest Pad.
2. Secure the Safety Flag to the upper portion of the Center Bar using the Cable Tie provided in the parts bag. Tighten the Cable Tie only enough to keep the Safety Flag from tilting sideways. Trim the loose end of the Cable Tie.



1. Insert the Safety Flag (1) into the head of the hollow bolt (2).
2. Insert bolt through washer (3) and through bracket on frame (4).
3. Place nut (5) on bolt and tighten.

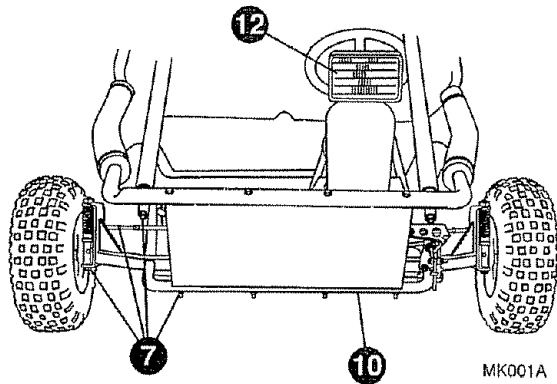
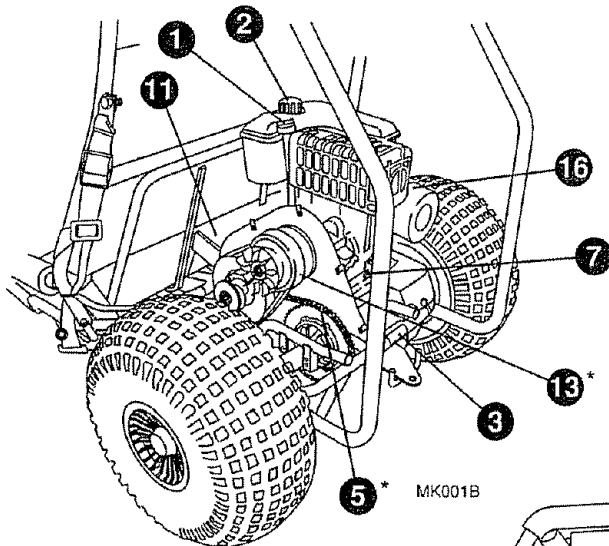
## PRE-RIDE INSPECTION

Inspect the Fun-Kart before each riding to make sure it is in proper working order.

**⚠ WARNING:** If proper inspection is not performed, serious injury or death can result.

- Always inspect the Fun-Kart before riding by following the checklist carefully.

- Before riding the Fun-Kart, inspect all operating controls and parts.
- Allow the engine to cool before adding oil or refueling.



\*Shown with guards removed

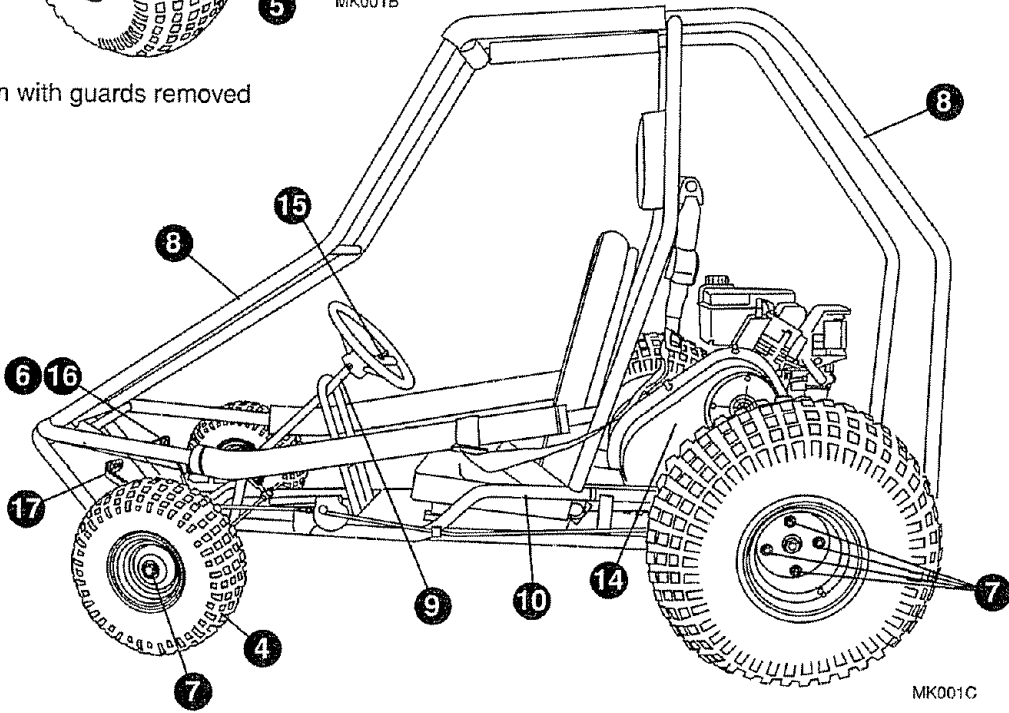


Figure 1. Pre-ride Inspection points



**Engine Stopped Inspections (See Figure 1)**

	ITEM	INSPECTION PROCEDURE	ACTION
1.	Engine Oil Level	Add oil if required  Check for leaks.  Tighten filler cap securely.	Refer to Engine Owner's Manual.
2.	Fuel Level	Add fuel as necessary.  DO NOT overfill (no fuel in the filler neck).  DO NOT mix oil with gas.  Replace cap tightly.	Refer to Engine Owner's Manual.  DO NOT refuel a hot engine. Allow engine to cool before adding fuel.
3.	Warning Decals	Make sure all warning decals are legible and securely attached.	Replace as necessary. See MAINTENANCE-Chassis and Steering-Decals.
4.	Tires	Check tread condition. Tread must have a minimum height of 1/8" at center of tire. Prior to operating vehicle, check and adjust tire pressure to the proper operating pressure as indicated on the sidewall of each tire. A tire pressure gauge is required to obtain accurate readings.	Replace tires if tread height is less than 1/8" at center of tire. Add or remove air as necessary to meet the pressure requirements as stated on the sidewall of the tire. See ASSEMBLY-Assembly Instructions-Tire Pressure.
5.	Drive Chain	Check condition and tension.	Lubricate, adjust tension as necessary. See MAINTENANCE- Chains.
6.	Throttle	Check for smooth operation. Make sure throttle "snaps" back to idle.  Check for frayed cable or damaged cable housing.  Check for mud, debris and ice in the throttle cable and throttle mechanism.	Replace damaged cable.  See MAINTENANCE-THROTTLE CABLE.  Clean out any mud and debris. If ice is present, move the Fun-Kart to a warm place to allow the ice to melt and the water to dry.
7.	Fasteners	Check wheels to see that all axle nuts and lug nuts are tightened securely.  Check for missing fasteners.  Check that all other fasteners are secure.  Check for a broken or missing cotter pin at rear brake band anchor point.	Tighten as necessary. See MAINTENANCE-DRIVE COMPONENTS.  Replace as necessary.  Tighten as necessary. See MAINTENANCE-LOCKNUTS.  Replace as necessary.


	ITEM	INSPECTION PROCEDURE	ACTION
8.	Brush Bars	Make sure all brush bars are in place and securely attached.	Replace damaged bars or fasteners and tighten as necessary.
9.	Steering	Make sure steering turns freely.  Check for proper "toe-in" of wheels.	Lubricate/Adjust as necessary. See MAINTENANCE-CHASSIS.  Lubricate/Adjust as necessary. See MAINTENANCE-CHASSIS.
10.	Frame/Chassis	Check for bent or otherwise damaged frame and/or other chassis components.	Replace as necessary.
11.	Battery (if equipped)	Check that clamp bar and connections are tight and free of corrosion.	Clean/tighten as necessary. See MAINTENANCE-Electrical System.
12.	Lights (if equipped)	Check for proper operation.	See OPERATION-Control Console.
13.	Torque Converter (if equipped)	Check that belt is loose and moves freely on the drive pulleys.	See MAINTENANCE-Torque Converter.
	Clutch (if equipped)	Lubricate clutch bearing.	See MAINTENANCE - Clutch
14.	Guards	Check all guards covering rotating parts including clutch, torque converter, sprockets, brakes, chains, and belts.	Tighten loose guards. Replace worn or damaged guards.

**Engine Started Inspections (See Figure 1)**


	ITEM	INSPECTION PROCEDURE	ACTION
15.	Stop Switch	Perform stop switch test. See OPERATION-Operating Instructions.	Repair/replace as necessary.
16.	Throttle	Check idle adjustment.	Adjust as necessary. Refer to Engine Owner's Manual.
17.	Brakes	Perform Brake Test as outlined in OPERATION-Operating Instructions.	Adjust if necessary. See MAINTENANCE-BRAKE SERVICE.

Correct any discrepancies according to this Operator's Manual/Engine Owner's Manual before riding. If the problem cannot be corrected, contact an authorized dealer for assistance or call (260) 432-1596 for Customer Service.

## OPERATION

 **WARNING:** Prior to operating the Fun-Kart, review the assembly instructions to make sure the Fun-Kart has been assembled properly.

### *Operating Controls* (See Figure 2)


 **WARNING:** DO NOT attempt to start or operate this Fun-Kart until you are completely familiar with location and use of each operating control.

- You must know how to stop this Fun-Kart before you start it.
- Check throttle assembly to make sure it is working smoothly and returns to idle when released.
- Check brake system to make sure it is working properly before starting engine.
- Check the engine stop switch to make sure it is working properly before operating the Fun-Kart.

 **CAUTION:** Always follow safety rules at the front of this manual.

### Throttle (1)


The throttle is controlled by the right side foot pedal. Push the pedal to increase engine speed and release the pedal to decrease engine speed. As engine speed is increased above idle, the clutch or torque converter engages and moves the Fun-Kart forward. To disengage clutch or torque converter at any time, allow throttle to return to idle.

 **WARNING:** PRIOR to starting engine, check throttle to make sure that when pedal is pushed all the way forward the throttle assembly is working and, when released, the pedal and engine throttle linkage return to idle.

- Do not operate if pedal and/or engine throttle linkage fail to return to idle.
- If unable to correct problem through lubrication, cleaning, adjustment or replacement of worn parts, contact your dealer for assistance.

### Brake (2)

The brake is controlled by the left side foot pedal. Push the pedal to apply the brake.

 **WARNING:** DO NOT operate this Fun-Kart unless brake system is working properly.


See Brake Test in Operating Instructions.

**NOTE:** This Fun-Kart may be equipped with either a band or disk brake system. A band brake draws a band around the brake drum as pressure is applied to the brake pedal. A disk brake clamps the brake pads on the brake disk as pressure is applied to the brake pedal.

### Steering (3)


The steering wheel system provides the Fun-Kart with the ability to turn. Make sure the steering operates properly and freely. Lubricate all bearing points periodically. (See MAINTENANCE-CHASSIS)

### Engine Stop Switch (4)

 **WARNING:** DO NOT operate the Fun-Kart unless the engine stop switch is functioning properly.

This Fun-Kart is equipped with a toggle type, two position engine stop switch mounted in the steering wheel. Place switch in the ON position to operate the engine or in the OFF position to stop the engine. See Engine Stop Switch Test in Operating Instructions.

### Parking Brake (5)

 **WARNING:** Before operating the Kart parking brake, make sure it is working properly.

See Parking Brake Test in Operating Instructions.

This Fun-Kart is equipped with a parking brake which, when properly adjusted, may be used to keep the brake applied when starting engine or when parked.

The brake pedal is latched by pushing down the brake pedal and raising the latch so its notch (a) fits on the pedal bushing (b). The return action of the brake pedal will keep the brake applied.

The pedal is unlatched by pushing the brake pedal and allowing the latch to fall away.

If the Fun-Kart is equipped with a parking brake lever (c), it is applied by pulling up (d) on the lever or released by pushing down (e) on the lever located on the left side of the kart. The force required to pull up or push down on the lever may be reduced by first pushing down on the foot brake pedal. Pull up or push down on the brake lever, then release the foot brake pedal.

**NOTE:** Operating the vehicle with the parking brake applied will result in reduced life of the lining or pads and decreased braking ability.

### Clutch (6)

Clutch driven Karts have a centrifugal type clutch mounted directly to the engine. The clutch does not engage at low engine idling speeds, but engages as engine RPM is increased.

**NOTE:** Avoid clutch slippage when operating the Kart. Slippage generates excessive heat that can ruin

the clutch bearing in two or three hours of operation. Slipping can occur by riding at slow speeds with high engine RPM such as trying to climb hills, pulling through soft soil or high grass or with brake applied.

### Control Console (7)

Some models are equipped with a control console located in front of the steering wheel. This console may contain an engine choke control, an engine start/stop switch and a light switch.

1. **Choke Control** - Pull control knob out until it stops for full choke, push half-way in for partial choke or push in all the way for no choke.

**NOTE:** Refer to the Engine Owner's Manual for specific choke operating instructions.

2. **Start/Stop Switch** - A three position key operated switch. On electric start models, insert key and turn to the START position until engine starts, then release key. To stop the engine, turn key to the STOP position. Always remove the key after stopping to prevent unauthorized use of the Fun-Kart.
3. **Light Switch** - A two position toggle switch that controls the lights. To turn lights on, move the switch to the ON position.

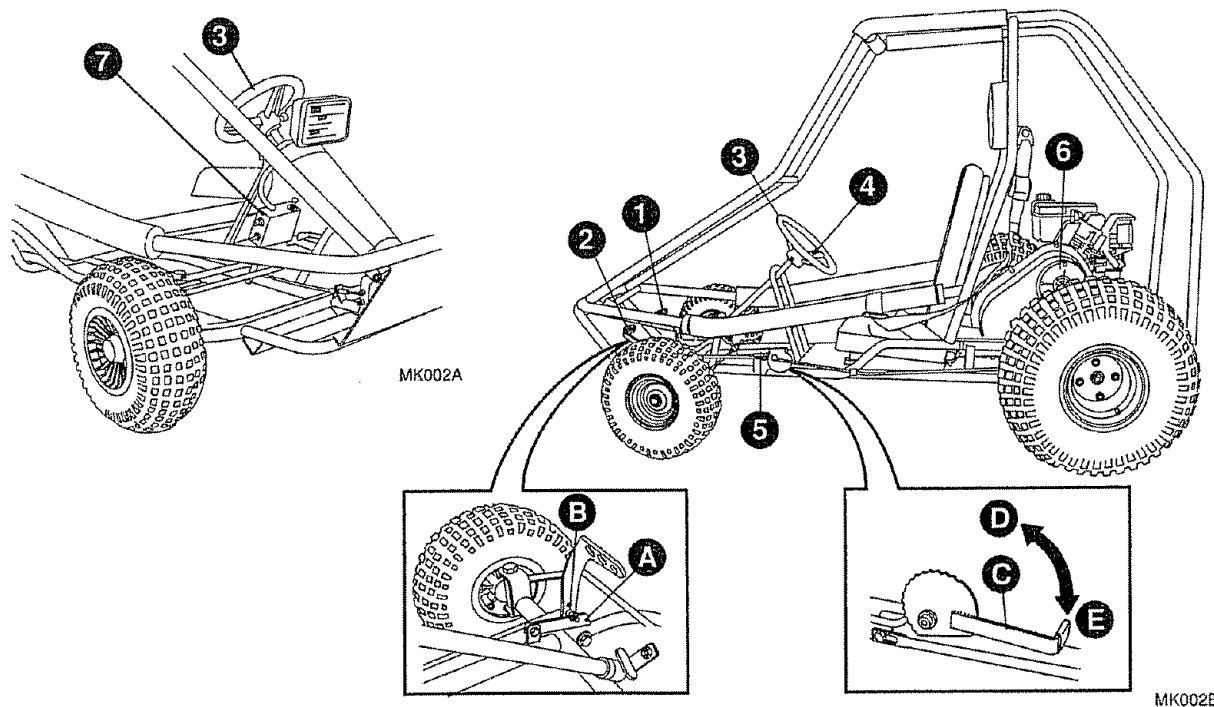


Figure 2. Operating Controls

## Operating Instructions

Before operating the Fun-Kart, be sure to read and follow all the WARNINGS, CAUTIONS and instructions on the preceding pages.

### Pre-Ride Inspection

Perform Daily Pre-Ride inspection as previously described in this manual BEFORE each use.

### Engine Fluids

Service engine with oil and fuel according to the Engine Owner's Manual.

**▲ WARNING:** Carefully read this Operator's Manual and the Engine Owner's Manual prior to operating your Fun-Kart.

### Tire Pressure (See Figure 3)

**▲ WARNING:** Prior to operating the Kart, check and adjust tire pressure to the proper operating pressure as indicated on the sidewall of each tire. A tire pressure gauge is needed to help obtain accurate readings.

**NOTE:** This vehicle is supplied with over-inflated tires to protect them from "flat spotting" during shipping.

Use a tire pressure gauge during the removal or addition of air as necessary to achieve proper tire pressures.

### Testing

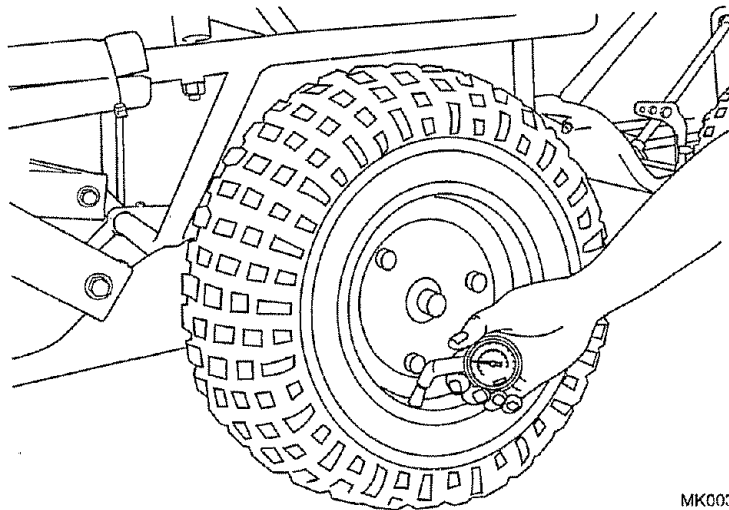
Perform the following tests before operating this Fun-Kart.

#### ENGINE STOP SWITCH TEST

**▲ WARNING:** This test **MUST** be performed before each Fun-Kart operation.

**▲ WARNING:** Do not operate this Fun-Kart with an engine stop switch that is not functioning properly.


1. Set the parking brake.
2. Place engine stop switch in the ON position.
3. Start engine.
4. With engine running, move the engine stop switch to the OFF position.
5. If engine does not stop, use the instructions for engine stopping as found in the Engine Owner's Manual.
6. If switch will not stop engine, contact your nearest dealer for assistance.



MK003

Figure 3. Tire Pressure


## BRAKE TEST

 **WARNING: DO NOT operate this Fun-Kart unless the brake is working properly.**

- BEFORE Fun-Kart operation, ensure the effectiveness of the brake system.

Perform this test BEFORE each operation.


1. Sit in the Fun-Kart. Make sure there is a clear path ahead and depress the brake pedal.
2. Start the engine.
  - a) On Fun-Karts without an electric starter, have an assistant start the engine.
  - b) On Fun-Karts with an electric starter, use the ignition switch to start the engine.
3. Increase engine RPM to make sure brake is effective and continue to increase RPM to make sure Fun-Kart does not move.
  - a) If brake does not hold the Fun-Kart, adjust as described in the section MAINTENANCE: Brake Service.
  - b) If proper brake performance cannot be achieved using the described adjustment procedure, contact your dealer for assistance.


 **WARNING: Do not use the Fun-Kart until brake has been adjusted correctly and is functioning properly.**

**NOTE:** Brake systems typically require a short break-in period to operate at full efficiency. Minor wear on the lining or pads will improve effectiveness. This can be accomplished by making a series of gentle stops. Hard usage of the brakes without proper break-in or riding the brakes (brakes partially applied while applying the throttle) can result in reduced life of the lining or pads and decreased braking ability. DO NOT apply pressure to brake pedal while riding except for speed control or stopping.

## PARKING BRAKE TEST

**NOTE:** This test applies ONLY if your Fun-Kart is equipped with a parking brake.


 **WARNING: If the parking brake does not provide adequate braking, it is not to be used during engine start-up.**


 **WARNING: DO NOT use the parking brake unless the following test is satisfactorily performed.**

1. Set parking brake and clear a path ahead of the Fun-Kart.
2. Sit in Fun-Kart and have an assistant start engine.
3. Slowly increase engine RPM to make sure parking brake is effective and continue to increase RPM to make sure Fun-Kart does not move.
4. If the parking brake is not effective see your dealer for repair or adjustment. DO NOT operate the Fun-Kart with a malfunctioning parking brake.

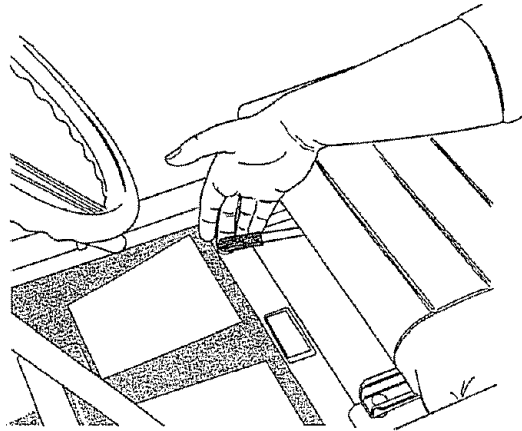
## Seat Adjustment (See Figure 4)

Some Fun-Karts are equipped with a multi-position, adjustable seat. The seat must always be securely fastened in the position which gives the operator complete range of motion of the foot pedals, steering wheel and engine stop switch. If this can not be achieved, the operator is too small or too large for proper Fun-Kart operation.

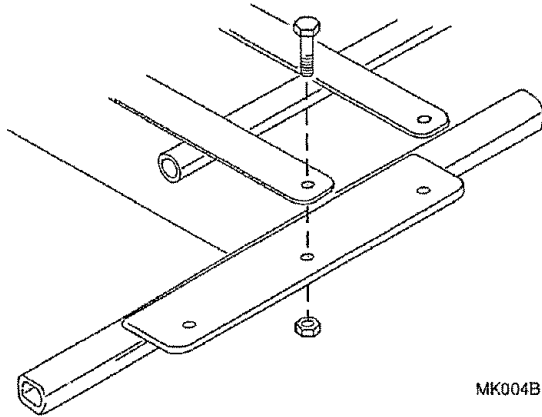
 **WARNING: Never operate this Fun-Kart when the provided seat is not securely fastened to the Fun-Kart frame. This may result in severe personal injury or loss of life.**

 **CAUTION: Before attempting to adjust the seat, make sure engine is stopped. DO NOT adjust the seat while Fun-Kart is moving.**

1. Adjusting seats with seat slides:
  - a) Make sure engine is stopped
  - b) Move the lever under the seat pad to the left and slide the seat into the proper position.
2. Adjusting fixed seats:
  - a) Make sure engine is stopped.
  - b) Remove the four nuts from the seat mounting screws as shown. It may be necessary to remove the seat cushions from the seat frame.
  - c) Move seat to desired position and align seat frame above the corresponding holes in the mounting plates on Fun-Kart frame.
  - d) Reinstall four seat mounting screws down through seat frame and frame plates and attach nuts.
  - e. Securely tighten all fasteners. Replace locknuts if necessary.



MK004A



MK004B

Figure 4. Seats with Seat Slides & Fixed Seats

**Passenger Restraint System and Handhold**  
(See Figure 5)

**⚠ WARNING:** A passenger is only permitted in specially designated **DOUBLE SEAT KARTS**.

This Fun-Kart is equipped with an operator/passenger restraint system. It is to be used by the operator and passenger at all times to control their motion in the Fun-Kart. The passenger restraint system must be tightened securely prior to Fun-Kart operation.

**⚠ WARNING:** Failure to adjust and wear restraint system properly may allow operator and/or passenger to move around the passenger compartment which may result in personal injury or death.

**⚠ WARNING:** Failure to maintain the handhold in good condition may render the handhold unsafe to use.

**⚠ WARNING:** Passengers should **ALWAYS** use the handhold while the Fun-Kart is moving. Failure to do so could result in personal injury.

**⚠ WARNING:** Passengers must keep all parts of their body within the seat and frame. Failure to do so could result in personal injury.

**⚠ CAUTION:** Passenger restraint system **MUST** be secured when passenger is not present or the belts may get caught in rotating parts or surrounding environment resulting in possible loss of control and damage to the belts and harnesses and/or possible personal injury.

Karts specially designed with two seats or a double seat are equipped with a handhold. This handhold is to be used by a passenger in helping control his/her motion in the Fun-Kart.

Handholds are to be maintained in good condition and replaceable handholds are to be replaced when found to be worn, frayed or damaged.

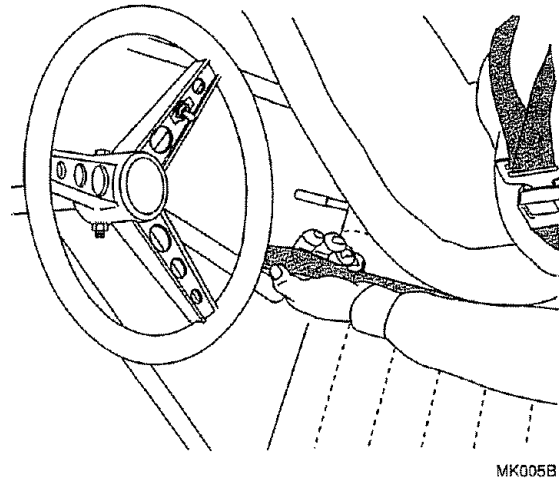
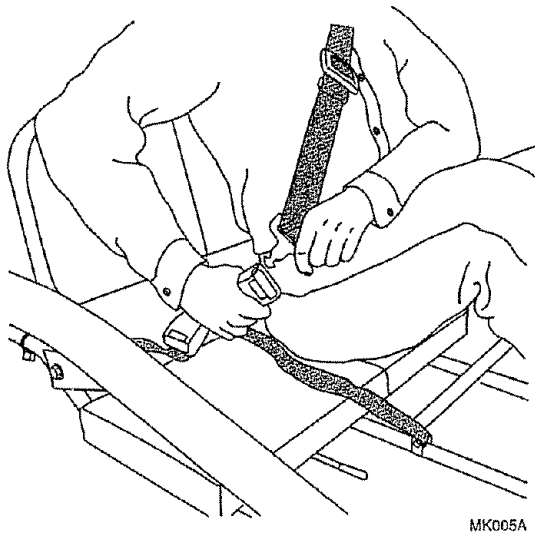


Figure 5. Passenger Restraint System and Handhold

## Operation

### STARTING

1. Make sure properly functioning parking brake is engaged or operator is properly seated in the Fun-Kart with the brake applied.

**⚠ WARNING:** Avoid touching the engine, muffler or drive components as those areas could cause burns on contact.

2. Prime the engine or set the engine choke according to Engine Owner's Manual.
3. Make sure throttle is in idle position. See OPERATION - OPERATING CONTROLS.

**⚠ WARNING:** Failure of person starting engine to be completely behind Fun-Kart can result in injury from Fun-Kart movement.

**⚠ WARNING:** Make sure the area in front of the Fun-Kart is clear of people and obstructions before starting the Fun-Kart.

**⚠ CAUTION:** Person starting the engine should note direction of engine exhaust flow. Failure to keep clear of exhaust flow may cause skin and eye irritation.

4. When pull starting the engine, the person starting the engine should be positioned completely behind all parts of the Fun-Kart, grasp recoil starter handle and pull quickly. DO NOT allow starter rope to snap back.
5. Continued pulling of the starter rope can flood the engine. If engine does not start after two or three pulls of the rope, place choke control lever in the OFF position and pull starter rope to clear excess fuel from cylinder. If engine still does not start, wait a few minutes and repeat steps 2 through 4.

**NOTE:** An engine that fails to start promptly is an indication of some malfunction or even errors in the starting procedure. DO NOT continue to pull the starter rope with no effective result. Let the Fun-Kart set for at least 15 minutes and try again. If engine fails to start, contact dealer for assistance.

6. When engine starts, test the engine stop switch. See OPERATION - Operating Instructions.



**⚠ WARNING: DO NOT operate Fun-Kart if the engine stop switch is not functional.**

## RUNNING

Operate the Fun-Kart in a large, level, open space in order to learn to start, steer and stop properly. Operate the Fun-Kart at low speed until you are comfortable and confident operating it. Avoid sharp turns, high speed and rough ground at all times.

- Fun-Kart speed while turning is an important consideration in safe operation.
- It is important to always keep all four tires on the ground. Generally, this can be accomplished by decreasing speed as the turn gets sharper.
- For safe operation remember: "The sharper the turn, the slower the speed."
- Mature supervision of practice operation is required to achieve turning skill. Failure to operate this Fun-Kart at a safe speed while turning can result in a strong potential for severe personal injury or loss of life.
- DO NOT race, jump or perform stunt riding.

## STOPPING

Release the throttle to return the engine speed to idle. Apply the brake pedal to stop the Fun-Kart's motion.

## Turning (See Figure 6)

**⚠ WARNING: The safe operation of this Fun-Kart is dependent upon the operator's ability to exercise proper judgment.**

- Operator must not be too small or too large for controlled operation.
- Operator must be of sufficient age, understanding, mental capacity and physical capability to safely operate this Fun-Kart.
- Safe operation includes responsibility for the safety of any passenger in a two seat Fun-Kart.
- The Fun-Kart should only be operated after mature, supervised, instruction and sufficient practice in an area free of obstructions.

The Fun-Kart may be fitted with a rear axle that drives both rear wheels equally at all times.

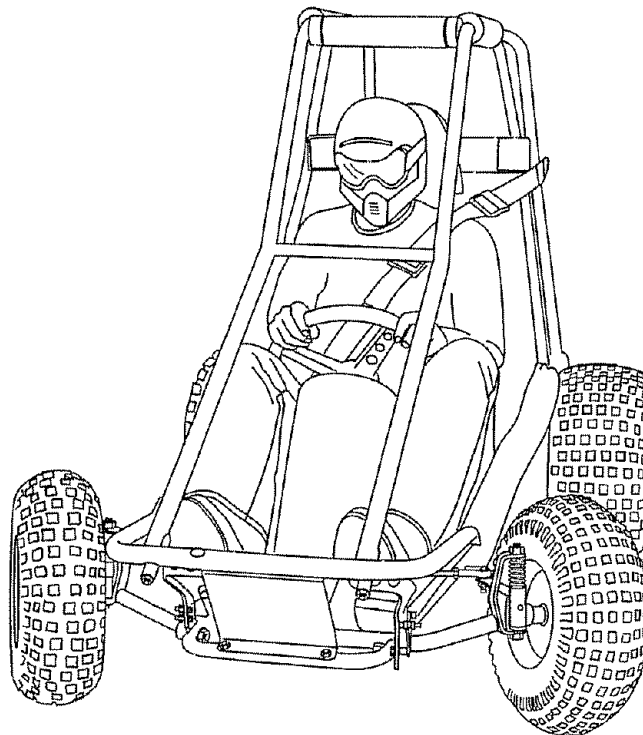



Figure 6. Turning

Therefore, when turning, the inside wheel may lose traction slightly. The new rider must learn to shift weight and control the throttle to allow the rear tires to negotiate the turn.

1. Practice turning at slow, constant speeds in a large level open area.
2. Turn the steering wheel in the direction of the turn.
3. Lean your body to the inside of the turn in order to maximize front tire traction.
4. Use the throttle to maintain power throughout the turn.

Once this is learned, turns can be performed within a relatively small area.

### **Slippery Surfaces and Skids**

 **WARNING: ALWAYS SLOW DOWN on slippery surfaces.**

- Turns on slippery surfaces are more hazardous than when full traction is available.
- A skid on ice, loose gravel or wet grass can cause loss of all directional control.
- A skid on pavement is dangerous because the Fun-Kart may regain traction suddenly and unexpectedly, which can cause the Fun-Kart to overturn.
- Slippery surfaces reduce braking forces and increase braking distances.


1. If the front wheels tend to skid in mud, sand or snow, you may be able to improve control by releasing the throttle and allowing the Fun-Kart to coast through the turn.
2. If the rear wheels skid sideways, correct the slide by steering in the direction of the skid. Avoid braking or accelerating until you have control.

### **Passengers**

Some karts are designed and constructed to be used by an operator alone. Those karts have a single seat. The Fun-Kart load limit and seating configuration does not safely permit the carrying of a passenger. With those karts the rule is OPERATOR ONLY-NO PASSENGER.

For Fun-Karts specially designed with two seats or a double seat, a passenger may be permitted to ride when the following guidelines are observed:

1. The operator must be of sufficient age, understanding, mental capacity and physical capability to control the Fun-Kart in a responsible manner and prevent unnecessary risk to the passenger and operator. It requires a thorough understanding of the Fun-Kart's operation and all safety rules, WARNINGS and CAUTIONS.

 **WARNING: Operator and passenger must always wear a properly fitting, approved helmet.**

2. The passenger must be of sufficient age, understanding, mental capacity and physical capability to control and restrict physical motion within the moving Fun-Kart and to effectively react to minimize any possibility of personal injury.

## MAINTENANCE

### Tool List

- 10 mm combination wrench for battery cable bolts.
- 3/8" combination wrench for installing seat pads and covers.
- 7/16" combination wrench for brake caliper adjustment.
- 1/2" combination wrench for tie rod adjustment, throttle cable adjustment, seat frame installation.
- 9/16" combination wrench for custom bar installation.
- 11/16" combination wrench for brake caliper lock nut.
- 3/4" combination wrenches for shoulder belt installation.
- Wire cutters for clipping ty-wraps when installing foam on custom bars.
- Screwdrivers (standard and Phillips) for replacing throttle cable when necessary.
- 1-1/8" socket for wheel mounting.
- 15/16" socket for wheel mounting.

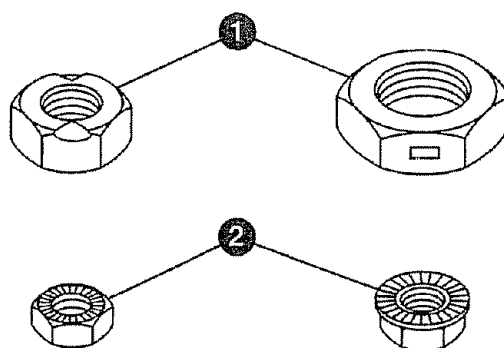
**⚠ CAUTION:** When making repairs or adjustments to the Fun-Kart which do not involve engine adjustments, the spark plug wire must be disconnected and kept away from the spark plug to prevent accidental starting.

Just as your automobile needs professional, mechanical maintenance from time to time, so does this Fun-Kart. Replacement of the spark plug and other repairs and adjustments are made necessary by normal use. Professional air cooled engine service is easily obtained. Check your phone book yellow pages under "Engines-Gasoline."

**Locknuts** (See Figure 7)


**⚠ WARNING:** Prevailing-torque-type locknuts which have been removed, must be replaced with new.

Replace with the same type of locknut to make sure they function properly.



MA010

Figure 7. Locknut

 **WARNING: All locknuts must have full thread engagement. For any locknut to function properly, threads must extend completely through and at least three threads beyond the locknut.**

Two types of locknuts are used on this Fun-Kart:

1. Prevailing-Torque-type locknuts **(1)** have a locking feature which deforms the thread in the nut. This type of nut must be turned with a wrench after being started (1 or 2 turns) by hand. The deformed thread lock tends to have reduced locking capability with disassembly and assembly. Those lock-nuts are to be replaced each time they are removed.
2. Free-Running-type locknuts **(2)** have notches which grip a mating surface when the nut is securely tightened against it. This type of nut must be securely tightened to lock.

### ***Engine Service***

Please refer to your Engine Owner's Manual for information on engine service procedures.

### ***Drive Components***

#### **Chains** (See Figure 8)

The Fun-Kart may be equipped with one or more chains to drive the rear wheels. After the first two hours of operation, and before and after each use, lubricate the chain(s) and check the tension adjustment. Proper lubrication and adjustment is essential for best component life.

**WARNING: DO NOT touch chain(s), clutch or torque converter immediately after riding. Chain(s), clutch and torque converter may be hot, resulting in a burn or other personal injury.**

**WARNING: The guards covering drive components must be in place to protect the operator and passenger in a two seat Kart, from rotating parts, and to prevent mud and debris from coming in contact with drive components. Be sure to replace guards removed for maintenance.**

## LUBRICATION

Use proper lubricants.

COMPONENT	LUBRICANT
Roller Chains	Spray-on graphite based chain lubricant
Clutch Bearing	Automotive SAE 30 weight

1. It may be necessary to remove guards covering drive components.
2. Apply proper type spray-on chain lubricant thoroughly inside and outside plates and rollers of chain. Move Fun-Kart as needed to access entire chain.
3. Replace guards covering drive components. Install new guards if damaged.

## INSPECTION

1. Remove guards covering drive components. Install new guards if damaged.
2. At the center point between the two sprockets, push and pull the chain and note total flex. If flex is more than 1/2", adjust chain. Refer to ADJUSTMENT.
3. Inspect chain sprockets for wear.
4. If sprockets are worn, replace sprockets and chain(s). Sprockets and chains must be replaced as a set.
5. Replace guards covering drive components. Install new guards if damaged.

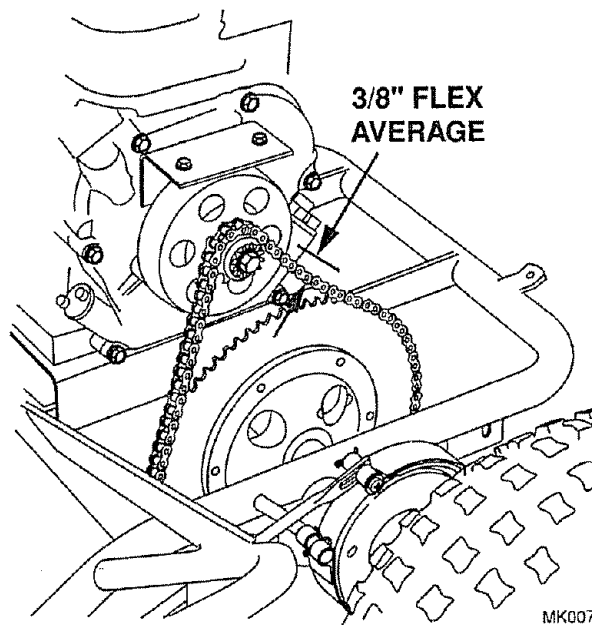


Figure 8. Chain Lubrication and Inspection

## ADJUSTMENT

### CLUTCH KARTS (See Figure 9)

1. Remove guards covering drive components.
2. Loosen, but do not remove, the four engine mounting bolts (1).
3. Slide engine as necessary to obtain 1/4" to 3/8" chain flex.
4. Be sure clutch (2) and drive wheel sprockets (3) are aligned.
5. Securely tighten the four engine bolts.
6. Recheck chain tension. Refer to INSPECTION.
7. Replace guards covering drive components. Install new guards if damaged.

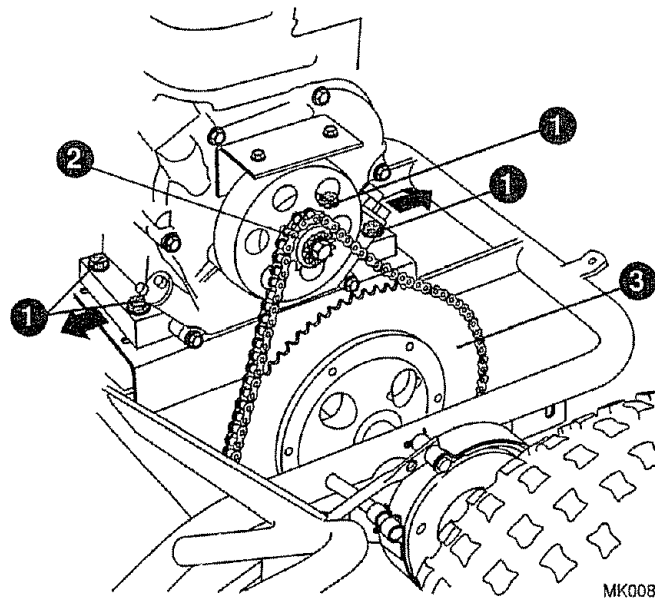


Figure 9. Chain Adjustment-Clutch Karts

## CHAIN REPLACEMENT (See Figure 10)

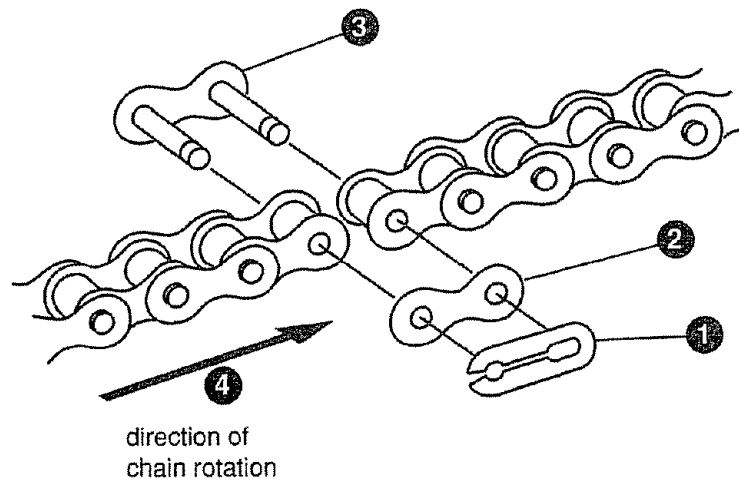
### REMOVAL

1. Remove guards covering drive components.
2. Rotate drive wheel to place master link (3) in accessible position between two sprockets.
3. Slide the retaining clip (1) of the master link (3) until the reliefs are centered over the link pins. Remove clip and remove side plate (2).
4. Slide master link out and remove the chain.

### INSTALLATION

1. Install new chain.
2. Slide the pin portion of the master link (3) in to each end of chain to be connected.
3. Slide the side plate (2) portion of the master link on to the pins.
4. Slide the retaining clip (1) on to the pins until clip snaps securely in to place.

**⚠ CAUTION:** The master link should be installed with the open end of the retaining clip (1) facing away from direction of chain rotation (4).



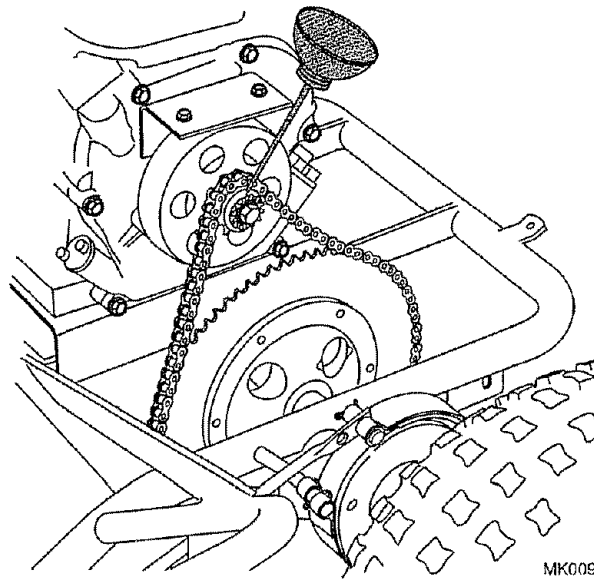
MA014

Figure 10. Chain Replacement

**Clutch** (See Figure 11)

Oil the clutch bearing after each ride, using 30W motor oil.

If the clutch starts "slipping" see your dealer for maintenance.



**Figure 11. Oiling the Clutch Bearing**



## Torque Converter (See Figure 12)

**NOTE:** It is recommended that torque converter maintenance beyond inspection and belt replacement be performed by your dealer. The following information is provided as a guide to help determine when professional maintenance is required.

Inspect the torque converter clutch pulley (1), driven pulley (3) and drive belt (2) on a regular basis. Check for dirt and frayed belts plus any other potential problem that might be obvious from a visual inspection. If the vehicle is used regularly, the clutch and driven pulleys should be inspected thoroughly each month, or daily if used in very dusty conditions. Always service units before each season. Maximum service interval recommended is every 50 hours of operation. Clutch and driven pulleys must be parallel. Friction surfaces must be smooth and free of dirt, corrosion, oil or grease. Belt must be dry, straight and free of cracks, breaks and uneven wear.

Operating the vehicle in a dusty environment will require more frequent servicing. Indicators of a torque converter system requiring cleaning and lubrication are:

- Erratic or jerky engagement upon acceleration
- Tendency to apparently "lock" into a particular speed
- Excessive drive chain flex

If any of these conditions exist on the Kart, the torque converter components and/or the drive chain must be serviced immediately. Both clutch and driven pulleys must be disassembled and cleaned thoroughly of all dust and accumulated dirt. All moving or sliding metal surfaces must be lightly greased (high temperature grease recommended) or lubricated with a graphite type lubricant (such as a spray on type that evaporates leaving the graphite film on the surface) during reassembly. Be careful not to get grease on friction surfaces or the torque converter belt. Replace all guards. After assembly, the rear of the frame must be blocked up with suitable jack stands so the rear tires are not in contact with the ground, the engine started, and run through its entire operating range to ensure proper operation of the torque converter assembly.

**⚠ WARNING:** Never place any part of your body under the vehicle while it is on a jack or jack stands. If the vehicle is to be started while the tires are off the ground, support the rear of the unit with a pair of suitable jack stands. If these instructions are not followed, vehicle damage, property damage, or personal injury can result.

**⚠ WARNING:** Do not operate this vehicle if the torque converter is malfunctioning.

**⚠ WARNING:** Do not operate engine without guards in place and fastened.

**C - CLEAN**  
**G - GREASE WITH HIGH TEMP GREASE**  
**O - LUBE WITH OIL EQUIVALENT TO CRANKCASE OIL**

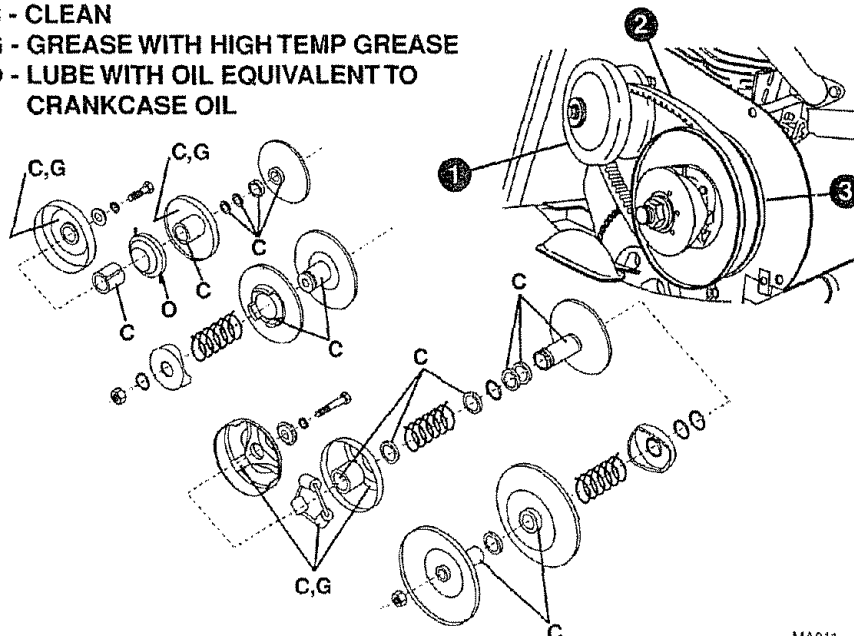


Figure 12. Torque Converter

MA011

## Chassis and Steering

### LUBRICATION (See Figure 13)

Every two or three hours of use lubricate the following items with several drops of automotive SAE 30 weight motor oil where shown: steering bearing points, pivot points of tie rod ends, spindles (if not equipped with grease fittings), brake rod pivot points, pedal pivot points.

Weekly, grease the steering spindles and brake linkage assembly (if equipped with grease fittings) as shown. Use multi-purpose grease and a standard grease gun. Grease should be added until it is coming out of the ends of the spindles and the brake linkage assembly. Wipe off excess grease.

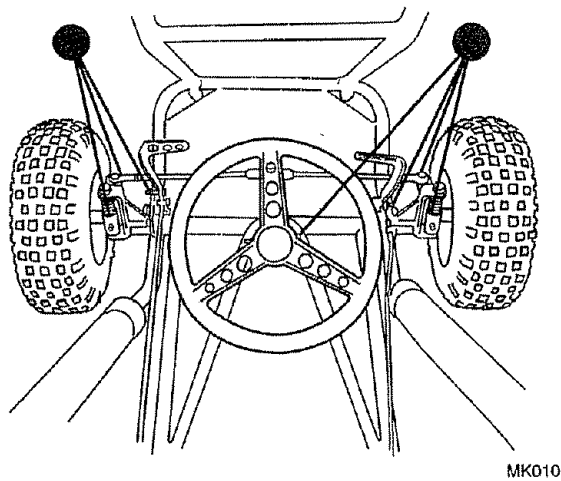


Figure 13. Lubrication

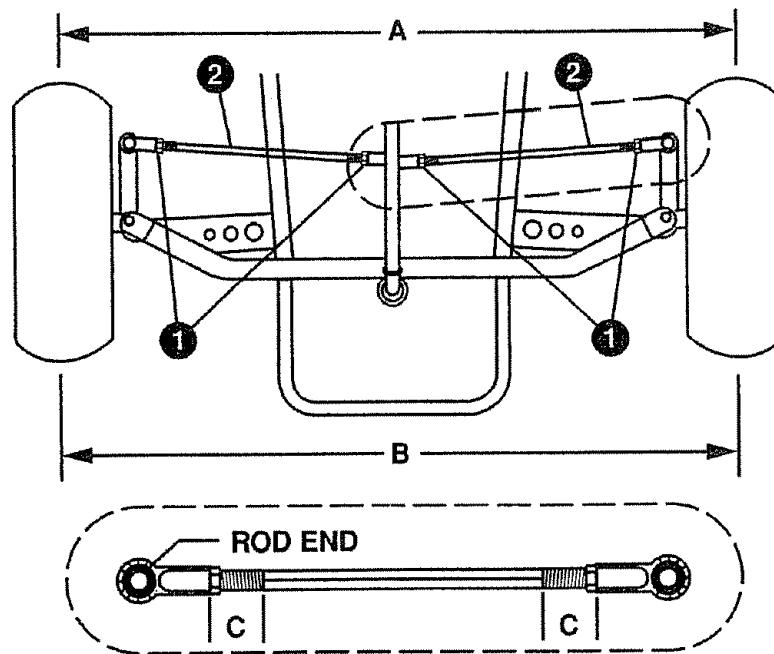
## FRONT WHEEL ALIGNMENT (See Figure 14)

This Fun-Kart is equipped with threaded tie rods so the front wheel alignment may be adjusted. The front wheels should be "toed-in" from 1/8" to 1/4." Before measuring the alignment, make sure the steering arm is vertical and centered. The wheels should be pointed directly forward, not turned. If the wheels are turned to one side, the wheels require alignment. To check the alignment, measure distance A and B to the center line of the tires. If distance B is not 1/8" to 1/4" less than distance A, the wheels require alignment. To align the wheels:

**NOTE:** Replace any bent or damaged tie rods prior to alignment.

1. Make sure the steering arm is vertical and centered throughout this procedure.

2. Loosen the four jam nuts (1) on the tie rods (2) and move them away from the tie rod ends.
3. Rotate both tie rods equally to adjust "toe-in." Make sure the wheels are both pointed straight ahead, not turned. Adjust if necessary.
4. Finger tighten the jam nuts. Measure distances A and B. Repeat previous steps until distance B is 1/8" to 1/4" less than distance A.
5. Measure distance C. It should be no larger than 13/16" to be sure there is adequate thread engaged in the tie rod end. Re-adjust if necessary.
6. Securely tighten the jam nuts on the tie rod ends.



MA017

Figure 14. Front Wheel Alignment

## WHEEL REPLACEMENT

The Fun-Kart may be equipped with spindle and/or lug mounted wheels. Use the following procedure for wheel replacement.

**⚠ WARNING:** Never place any part of your body under the vehicle while it is on a jack or jack stands. If the vehicle is to be started while the tires are off the ground, support the rear of the unit with a pair of suitable jack stands. If these instructions are not followed, vehicle damage, property damage, or personal injury can result.

### SPINDLE MOUNTED WHEELS (See Figure 15)

1. With Fun-Kart on the ground, loosen the spindle nut (1).

2. Jack up the Fun-Kart to raise the wheel off the ground.
3. Remove spindle nut and replace wheel.
4. Install spindle nut finger tight.
5. Lower the Fun-Kart to the ground.

**⚠ CAUTION:** DO NOT over-tighten axle nuts. It is only necessary to tighten the nut so the wheel turns freely on the axle with minimum end play. If the wheel does not turn freely, the nut is too tight. (See MAINTENANCE-LOCKNUTS)

6. Tighten spindle nut so the wheel turns freely on the spindle with minimum end play. DO NOT OVER-TIGHTEN.

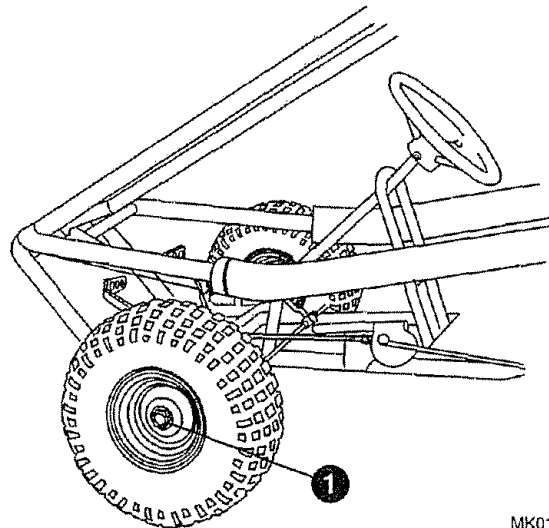
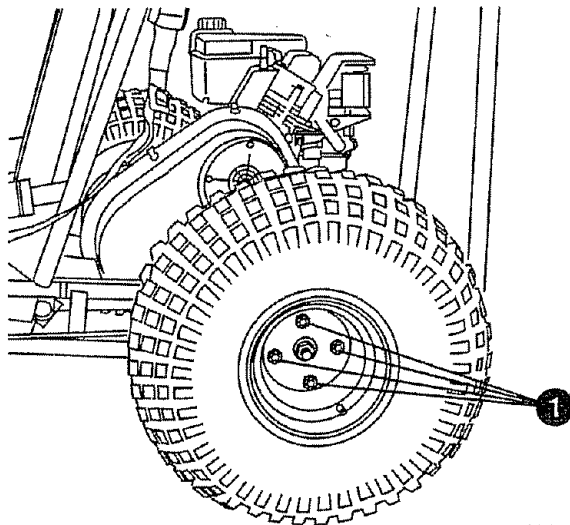


Figure 15. Wheel Replacement Art – Spindle Mounted

### LUG MOUNTED WHEELS (See Figure 16)


1. With the Fun-Kart on the ground, loosen all lug nuts (1).
2. Jack up the Fun-Kart to raise the wheel off the ground.
3. Remove lug nuts and replace wheel.
4. Install lug nuts (cone side towards wheel) finger tight.
5. Lower Fun-Kart to the ground.
6. Tighten lug nuts in a criss-cross pattern to 80 ft lb of torque.
7. After two hours of operation, check wheel lug nut torque.

**⚠ WARNING: The threads on the nuts and studs must be inspected to ensure they are in good condition. Lug nuts must be properly tightened to prevent wheels from falling off.**



**Figure 16. Wheel Replacement Art – Lug Mounted**

## Decals

 **WARNING: Safety decals must be replaced if they become unreadable or detached from the Fun-Kart.**


- If decals are unreadable or missing, warning of potential hazards or safety requirements may be lacking. This could result in the operator and/or passenger not taking the proper safety precautions.


When the **WARNING** decals become illegible and/or detached, the old decal must be removed, the area cleaned with a liquid dish washing detergent, rinsed and thoroughly dried, and the new decal installed.

**NOTE:** See OPERATOR'S MANUAL SUPPLEMENT for part numbers and contact the nearest dealer to order replacements.

## Brake Service

### Disc Brake

 **WARNING: DO NOT operate this Fun-Kart if the brake system will properly not stop the Fun-Kart. See OPERATION-BRAKE TEST.**

 **WARNING: DO NOT perform maintenance of brake rotor, pads or calipers until the parts have had sufficient time to cool.**

### BRAKE INSPECTION (See Figure 17)

Inspect the brake caliper(s) before each use of the Fun-Kart. Always clean and service before each season and when removed from storage. The routine maintenance presented below is required to keep the brake system in good working order.

1. Inspect the entire braking system to ensure all connections are secure and all pivot points move freely.
2. Check brake pedal travel. Brake linkage should move freely and snap back to rear position when released. Free play should be less than 1/2 inch of pedal travel.


3. Check that the caliper assembly (1) slides freely in the mounting bracket (2) and caliper actuator lever (3) moves freely. Clean and lubricate as required.
4. Check brake pads for wear and replace if brake pad material is 1/16" or less.
5. Check brake rotor (4) surface condition. Brake rotor surface should be free of pits, deep grooves, dirt, corrosion, oil and grease. Worn, warped, grooved or pitted rotors must be replaced.

### BRAKE ADJUSTMENT (See Figure 17)

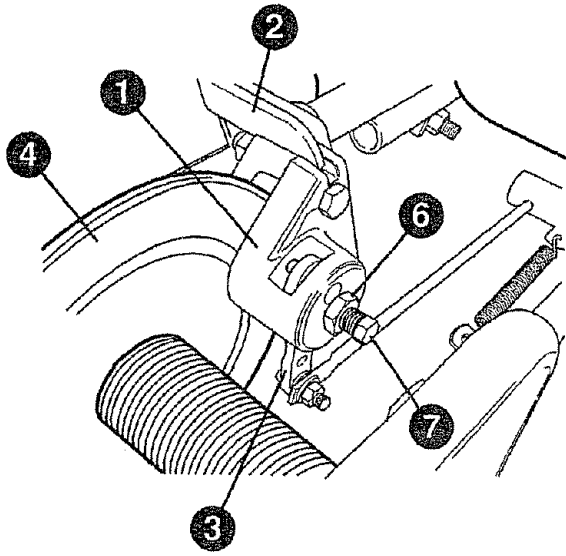
The brake caliper(s) should be adjusted if brake pedal free play is in excess of 1/2 inch, brake does not stop the Fun-Kart or the parking brake does not hold the Fun-Kart when applied. If any of these conditions exist on the Fun-Kart, the brake caliper(s) must be serviced immediately.

To adjust the brake caliper(s):

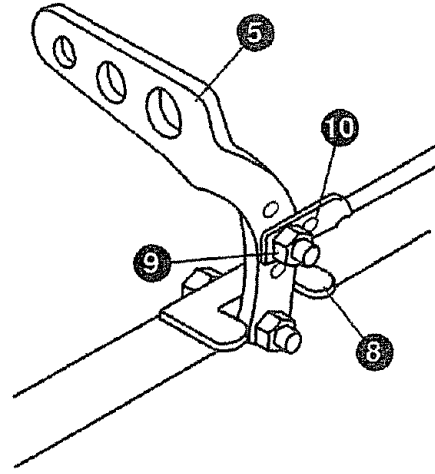
1. Make sure the brake pedal (5) and the caliper actuator lever (3) are in the rear position.
2. Remove guard covering the brake caliper(s).
3. Loosen the jam nut (6) and rotate the adjuster screw (7) clockwise until it is snug.
4. Back out the adjuster screw counterclockwise 1/4 turn.
5. While holding the adjuster screw in this position, securely tighten the jam nut.
6. Check that the brake pedal arm is against the rear stop (8). If not, the brake rod can be shortened by removing the hex head bolt (9) that holds the brake rod on the brake pedal, reassemble the bolt in the rear hole (10) of the brake rod and tighten the nut securely.

 **WARNING: The guard(s) must be in place to protect the rider(s) from the rotating parts of the Fun-Kart. DO NOT operate the Fun-Kart without the guards securely in place.**

7. Replace the guard.
8. Perform BRAKE TEST as described in the OPERATION-OPERATING INSTRUCTIONS before operating the Fun-Kart. Re-adjust brake as necessary and repeat BRAKE TEST until the brake will hold and stop the Fun-Kart properly.



MK013a



MK013b

Figure 17. Disk Brake

## BRAKE PAD REPLACEMENT (See Figure 18)

**⚠ WARNING: Do not perform maintenance of brake rotor, pads or calipers until the parts have had sufficient time to cool.**

1. Remove guard covering the brake caliper(s).
2. Remove right rear wheel and axle spacers. (See Wheel Replacement.)
3. Remove brake rod from brake lever and slide brake caliper off Fun-Kart frame.
4. Loosen jam nut (1) and "back off" the adjuster screw (2).
5. Remove two bolts (3) and separate the brake housing (4) and anvil (5).
6. Discard the anvil.
7. Remove the brake housing side brake lining (6), backing plate (7) and actuator pin (8) and inspect the backing plate, actuator pin and brake lever (9) for galling or cracks. Defective parts must be replaced.
8. Lubricate the spherical end of the actuator pin, adjusting screw and brake lever ramp areas with

high temperature grease and replace the actuator pin into the brake housing spherical end first.

9. Place the backing plate into the brake housing then place the new brake lining on top of the backing plate.

**NOTE:** Make sure the adjuster screw is completely "backed out."

10. Assemble the brake housing and new anvil using the two bolts.
11. Replace the caliper on the Fun-Kart frame.
12. Connect the brake rod and adjust the caliper per the directions under BRAKE ADJUSTMENT.
13. Replace axle spacers and wheel.

**⚠ WARNING: The guard(s) must be in place to protect the rider(s) from the rotating parts of the Fun-Kart. DO NOT operate the Fun-Kart without the guards securely in place.**

14. Replace guard(s). Install new guards if damaged.
15. Perform the BRAKE TEST as described in OPERATING INSTRUCTIONS before operating the Fun-Kart.

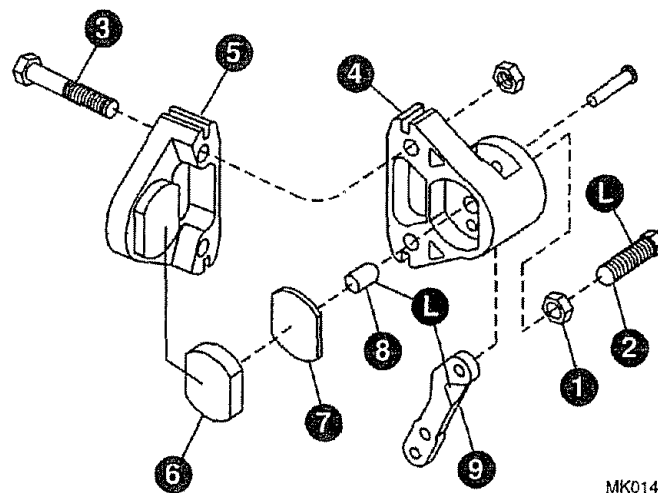


Figure 18. Brake Pad Replacement



## Band/Drum Brake

**⚠ WARNING: DO NOT operate this Fun-Kart if the brake system will not properly stop the Fun-Kart. See OPERATION-BRAKE TEST.**

**⚠ WARNING: DO NOT perform maintenance of brake rotor, pads or calipers until the parts have had sufficient time to cool.**

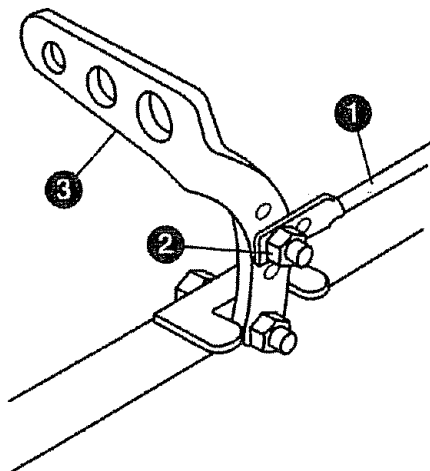
### BRAKE INSPECTION

Inspect the brake system before each use of the Fun-Kart. Always clean and service before each season and after removal from storage. The routine maintenance presented below is required to keep the brake system in good working order.

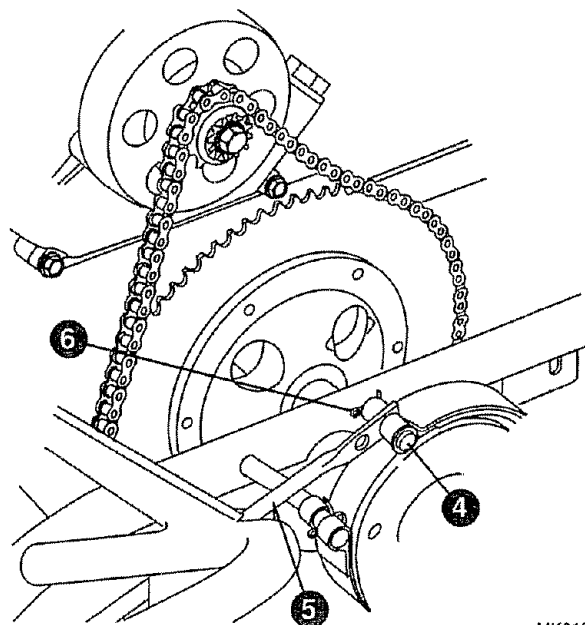
1. Inspect the entire braking system to ensure that all connections are secure and all pivot points move freely.
2. Check brake pedal travel. Brake linkage should move freely and snap back to rear position. Pedal free play should not be more than 1/2 inch.
3. Check brake band for wear and replace if the brake band material is 1/16 inch or less. In normal service, band will need replacing only after prolonged use.

### BRAKE ADJUSTMENT (See Figure 19)

The brake rod must be adjusted (shortened) if the brake band does not press hard enough against the brake drum to stop the Fun-Kart.



MK015a



MK015

Figure 19. Brake Adjustment

1. The brake rod (1) can be shortened by removing the hex head bolt that holds the brake rod (2) on the brake pedal (3), reassembling the bolt in the rear hole of the brake rod and tightening the nut.

**⚠ WARNING: Replace the locknuts with the same type each time they are removed.**

**⚠ WARNING: DO NOT overtighten fasteners. Pedal must move freely.**

2. Additional adjustment can be made in the same manner at the rear of the Fun-Kart where the brake rod attaches to the brake band.

**NOTE:** Clevis pins (4) are used to attach the brake rod (5) at the rear. Install a new cotter pin (6) with each service.

**⚠ WARNING: Install proper fasteners in good condition throughout brake system. Fasteners in poor condition may cause brake failure.**

**⚠ WARNING: DO NOT over-tighten fasteners. Pedal must move freely.**

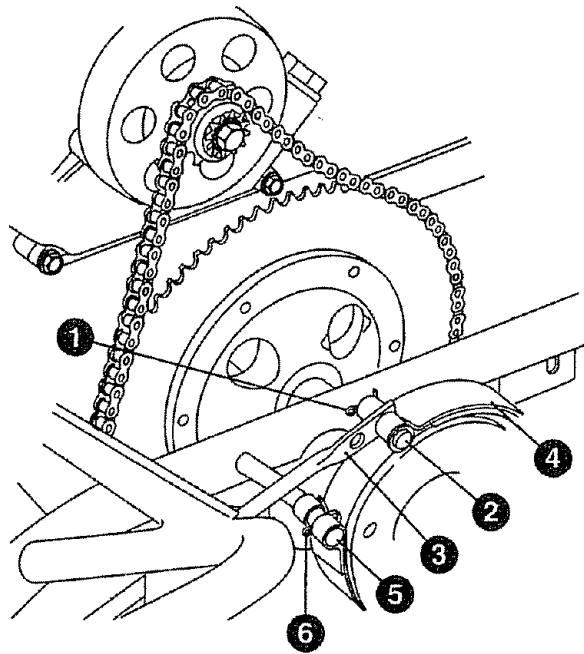
## BAND REPLACEMENT (See Figure 20)

1. Remove the guard covering the brake band.
2. Remove cotter pin (1) and clevis pin (2) from the brake rod (3) and band (4).
3. Remove cotter pin (6) and nut (5) from the other end of the brake band anchor point.
4. Remove brake band by slipping it off the brake drum and pulling it off the axle.
5. Install the new band by reversing the order above.

**NOTE:** Make sure to use new cotter pins when installing the brake band.

**⚠ WARNING:** The guard(s) must be in place to protect the rider(s) from the rotating parts of the Fun-Kart. **DO NOT** operate the Fun-Kart without the guards securely in place.

6. Replace the guard.
7. Perform BRAKE TEST as described in the OPERATION-OPERATING INSTRUCTIONS before operating the Fun-Kart. Re-adjust brake as necessary and repeat BRAKE TEST until the brake will hold and stop the Fun-Kart properly.



MK016

Figure 20. New Band Replacement

## Throttle Cable

### Inspection

The throttle cable housing may need to be adjusted periodically because the cable stretches. When fully depressing the throttle pedal no longer activates full engine speed, adjust the throttle cable housing.

### Throttle Cable Housing Adjustment (See Figure 21)

1. Fully loosen the jam nuts (1) and (2) and mount the throttle cable housing to the frame. Make sure the throttle pedal is against the rear pedal stop (3).
2. Pull the throttle cable housing toward the rear of the Fun-Kart until you feel resistance.

**⚠ WARNING: DO NOT pull the throttle cable housing any further.**

3. Hold the throttle cable housing in this position and screw the front jam nut (2) against the frame.

**⚠ WARNING: Pulling the throttle cable housing past the first point of resistance will engage the engine throttle while the throttle pedal is in the idle position. Upon starting the engine, the vehicle may accelerate.**

4. Screw the rear jam nut (1) against the frame.
5. Tighten the front jam nut (2) securely.
6. Make sure the engine throttle linkage is in the idle position and the throttle pedal is against the rear stop.
7. Block the rear end of the Fun-Kart off the ground and start the engine. If the engine is not at idle speed, stop the engine and repeat the above procedures.

**⚠ WARNING: The engine must be at idle speed when the throttle pedal is in the rear position. Failure to adjust the throttle properly may result in personal injury and/or vehicle damage. If you are unable to properly adjust the throttle, contact your dealer for assistance.**

**⚠ WARNING: Make sure exposed end of throttle cable does not interfere with throttle mechanism or cable end does not come in contact with engine ground terminal.**

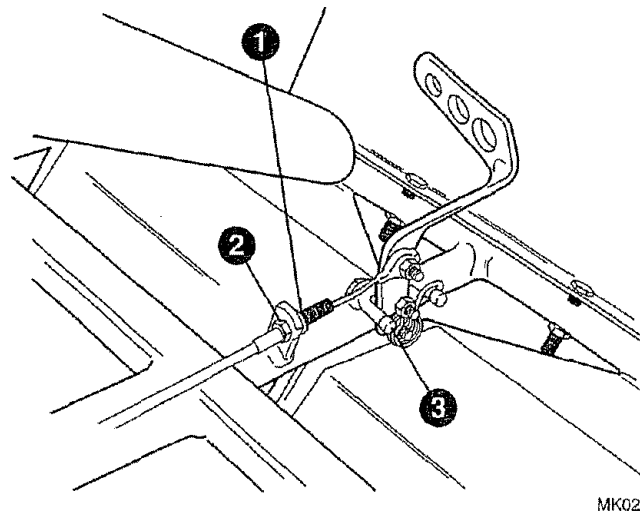


Figure 21. Throttle Cable Housing Adjustment

## **Battery** (See Figure 22)

1. Disconnect battery cables.
2. Remove the wing nuts (1) and lift off the battery clamp bar (2).
3. Disconnect vent hose (3) and remove battery (4) from Fun-Kart.
4. Fill Battery with battery acid.

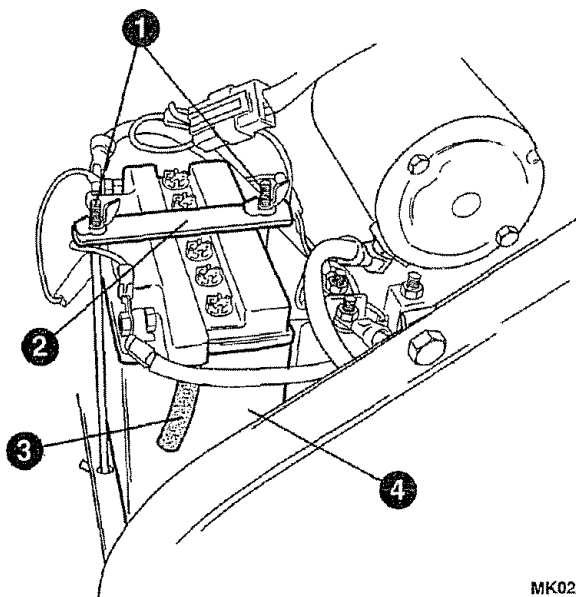
**NOTE:** Fill to upper level indicated on battery.

**⚠ WARNING:** Prevent the battery acid from coming into contact with skin, eyes, and clothing. Contact with skin or eyes will result in severe burns and contact with clothing may decompose the material. If skin or eye contact is made, flush immediately with water and contact your doctor.

**⚠ WARNING:** The battery may generate explosive gases after filled with acid and during charging or use. Keep flammable materials away from the battery. Ventilate the battery when charging or using battery in an enclosed space, and ensure that the battery vent path is always open.

5. Charge the battery for approximately three to five hours at 1/10 the rated capacity of the battery if using a constant current charger. If a variable rate charger is used, an overnight charge is highly recommended. If using a small trickle charger, a charging period of 24 hours may be necessary. Stop charging when specific gravity reaches 1.265.
6. Reinstall battery in Kart with battery clamp bar (2) and wing nuts (1).
7. Attach the vent hose. KEEP VENT TUBE FREE OF KINKS AND OBSTRUCTIONS.

**NOTE:** Vent hose must extend past Kart frame towards ground.



MK022

Figure 22. Battery

## Light Bulbs

To replace the head or tail light bulb, remove the screws and lens from the housing. To remove the bulb, push bulb in and rotate counterclockwise. Clean any dirt or corrosion from the housing.

### Replacement Bulbs


	VOLTS	WATTS	TYPE
Head Light	12	50	Sealed Beam or Halogen
Tail Light	12	N/A	1156

## Head/Tail Light Fuse

If both the head light and tail light are not working check and replace the fuse if necessary. Locate the inline type fuse holder on the wiring harness between the engine and the seat. Push both halves of the fuse holder toward each other and twist to access the fuse. Always use a fuse of the same type and rating.

### Replacement Fuse

Light Fuse	12V	10A
------------	-----	-----

 **CAUTION:** If the fuse fails shortly after it has been replaced the wiring should be checked for shorting and repaired. See Figure MA100-15.

## STORAGE

In the event the Fun-Kart won't be operated for a period in excess of 30 days or at the end of each riding season prepare it for storage by following the storage instructions in your Engine Operator's Manual.

**NOTE:** Do not save or store gasoline over the winter. Using old gasoline which has deteriorated from storage will cause hard starting and affect engine performance.

Removal from storage: After Fun-Kart has been in storage, re-read Operator's Manual, Engine Operator's Manual and perform assembly/maintenance as necessary. Perform Pre-Ride Inspection.



**CAUTION:** Always follow rules for safe operation.

## HOW TO ORDER REPAIR PARTS

Replacement parts\* are usually available from your dealer. Because of immediate availability and convenience it is advisable to order replacement parts from an authorized dealer. Take this manual and all supplements to the dealer when ordering parts in person.

If replacement parts are not available from a dealer, they may be ordered directly from the factory at (260) 432-1596. Orders may be subject to a minimum order fee.

\*Except engine parts: for engine parts, repairs or warranty claims see the Engine Owner's Manual. Check the phone book yellow pages under "Engine - Gasoline" for an authorized engine dealer.

Record the model number and serial number of the Fun-Kart in the spaces provided below for reference when ordering replacement parts. The model number of the Fun-Kart is included in the parts list and the exploded view illustration in the Operator's Manual supplement.

MODEL NO.	SERIAL NO. (from black and silver tag)
ENGINE NO. (from top of engine)	COLOR
ENGINE MFR	HP

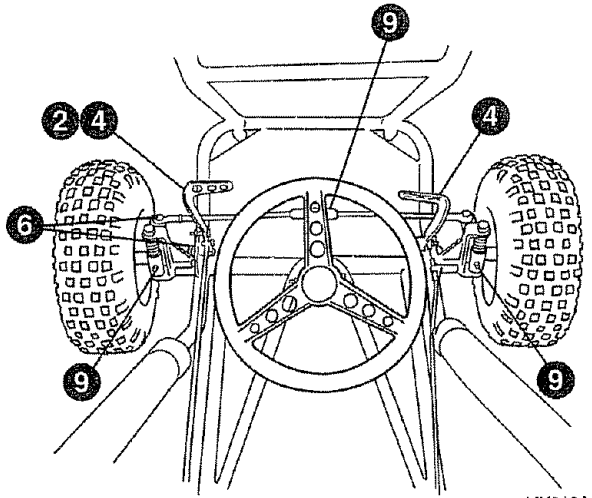
**NOTE:** Please fill out and return your warranty card. This will ensure that both your warranty and service needs are met.

## PERIODIC MAINTENANCE SCHEDULE

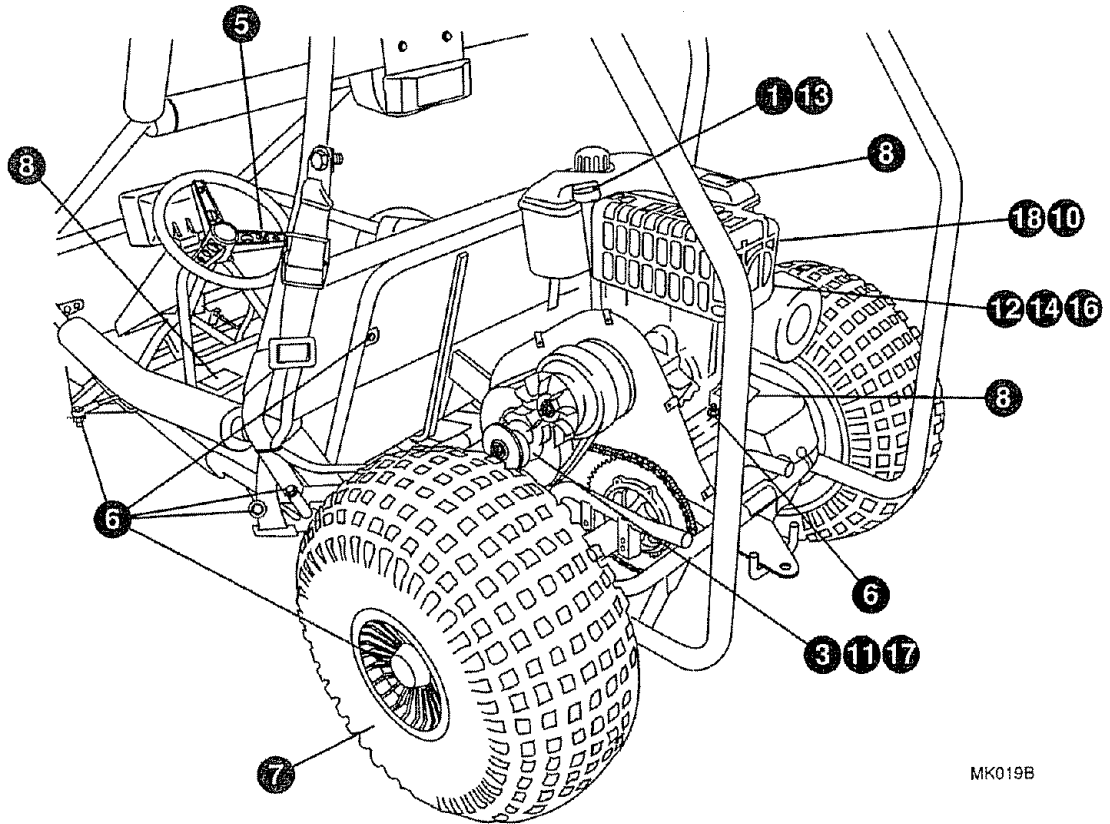
The maintenance intervals shown in the following schedule are based upon average riding conditions. Karts subjected to severe use, ridden in wet or unusually dusty areas require more frequent servicing. See Engine Owner's Manual for additional requirements.

Check Each Ride	
	1. Engine Oil Level
	2. Test Brakes
	3. Lubricate Clutch Bearing (if equipped)
	4. Inspect brake and throttle systems
	5. Check engine stop switch function
	6. Check all fasteners
	7. Check tire pressure
	8. Inspect all <b>WARNING</b> decals
Weekly Checks (every 3-5 hours)	
	Perform all Daily Checks
	9. Lubricate chassis
	10. Inspect muffler installation
	11. Inspect/Lubricate chain
Monthly Checks (every 20-25 hours)	
	Perform all Weekly Checks
	12. Clean air cleaner element*
	13. Change engine oil
	14. Clean spark arrestor (if installed)
	16. Inspect Muffler Installation
	17. Clean torque converter*
Annual Checks (every 100 hours)	
	Perform all Monthly Checks
	18. Clean and gap spark plug

\*When used in very dusty or wet conditions, more frequent service is required.



MK019A



MK019B

Figure 23. Maintenance