

# 2.1CH Bluetooth Speaker

## *Owner's Manual*



PLEASE READ BEFORE OPERATING THIS EQUIPMENT.

Model No.: MW-1266



## IMPORTANT SAFETY INSTRUCTIONS

1. Read these instructions.
2. Keep these instructions.
3. Heed all warnings.
4. Follow all instructions.
5. Do not use this apparatus near water – The appliance should not be used near water or moisture – for example, in a wet basement or near a swimming pool, and the like.
6. Clean only with dry cloth.
7. Do not block any ventilation openings. Install in accordance with the manufacture's instructions.
8. Do not install near any heat sources such as radiators, heat registers, stoves, or other apparatus (including amplifiers) that produce heat.
9. Do not defeat the safety purpose of the polarized or grounding plug. A polarized plug has two blades with one wider than the other. A grounding plug has two blades and a third grounding prong. The wide blade or the third prong is provided for your safety. If the provided plug does not fit into your outlet, consult an electrician for replacement of the obsolete outlet.
10. Protect the power cord from being walked on or pinched particularly at the plugs, convenience receptacles, and at the point where they exit from the apparatus.
11. Only use attachments/accessories specified by the manufacturer.
12. Unplug the apparatus during lightning storms or when unused for long periods of time.
13. Refer all servicing to qualified personnel. Servicing is required when the apparatus has been damaged in any way, such as power supply cord or plug is damaged, liquid has been spilled or objects have fallen into the apparatus has been exposed to rain or moisture, does not operate normally, or has been dropped.
14. CAUTION: These servicing instructions are for use by qualified service personnel only. To reduce the risk of electric shock, do not perform any servicing other than that contained in the operating instructions unless you are qualified to do so.
15. Do not install this equipment in a confined or building-in space such as a book case or similar unit, and remain a well ventilation conditions at open site. The ventilation should not be impeded by covering the ventilation openings with items such as newspaper, table-cloths, curtains etc.
16. WARNING: Please refer the information on exterior bottom enclosure for electrical and safety information before installing or operating the

apparatus.

17. **WARNING:** To reduce the risk of fire or electric shock, do not expose this apparatus to rain or moisture. The apparatus shall not be exposed to dripping or splashing and that objects filled with liquids, such as vases, shall not be placed on apparatus.

18. **CAUTION:** Danger of explosion if battery is incorrectly replaced. Replace only with the same or equivalent type.

19. **WARNING:** The battery (battery or batteries or battery pack) shall not be exposed to excessive heat such as sunshine, fire or the like.

20. **WARNING:** The mains plug is used as disconnect device, the disconnect device shall remain readily operable.

21.  This equipment is a Class II or double insulated electrical appliance. It has been designed in such a way that it does not require a safety connection to electrical earth.

22.

**⚠ WARNING**

**DO NOT INGEST BATTERY, CHEMICAL BURN HAZARD**

[The remote control supplied with] This product contains a coin/button cell battery. If the coin/button cell battery is swallowed, it can cause severe internal burns in just 2 hours and can lead to death.

Keep new and used batteries away from children. If the battery compartment does not close securely, stop using the product and keep it away from children.

If you think batteries might have been swallowed or placed inside any part of the body, seek immediate medical attention.



23.

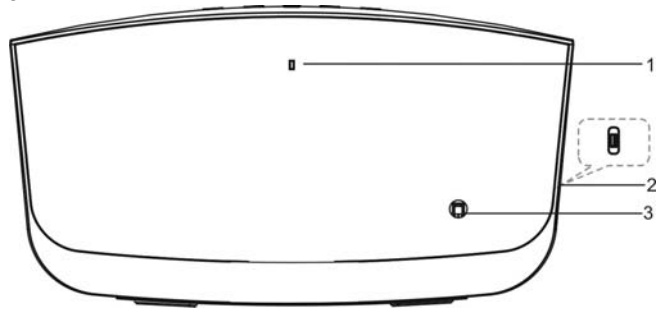
- This lightning flash with arrowhead symbol within an equilateral triangle is intended to alert the user to the presence of non-insulated "dangerous voltage" within the product's enclosure that may be of sufficient magnitude to constitute a risk of electric shock.

- **Warning:** To reduce the risk of electric shock, do not remove cover (or back) as there are no user-serviceable parts inside. Refer servicing to qualified personnel.

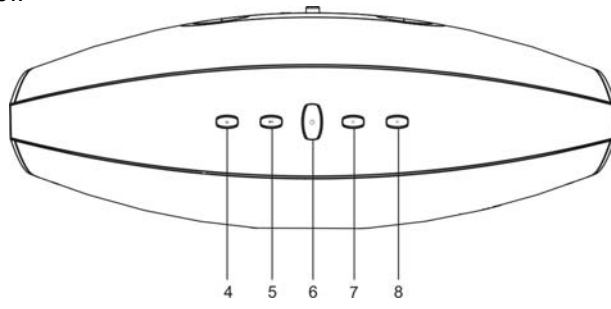
- The exclamation point within an equilateral triangle is intended to alert the user to the presence of important operating and maintenance instructions in the literature accompanying the appliance.

**LOCATION OF CONTROLS**

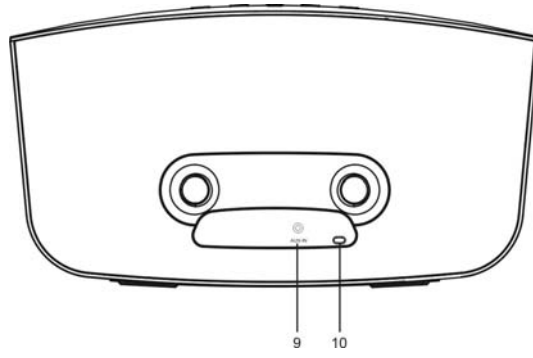
Front View



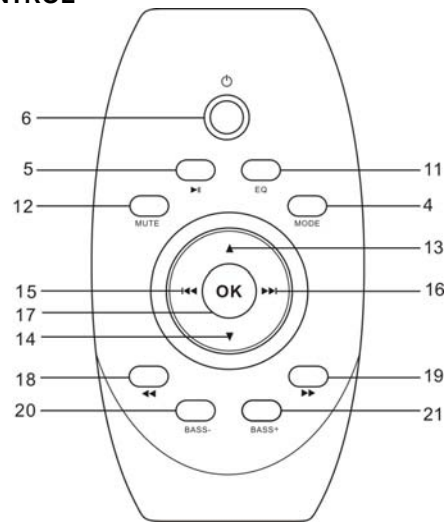
Top View



Back View



## REMOTE CONTROL



1	Power Indicator	8	>(▶▶ / Vol + ) Button: ·Press this button once to advance to the next track . Press and hold this button to adjust volume level up.
2	USB port (only for charging)	9	Aux-in Jack
3	Remote sensor	10	AC Power
4	MODE button Press to toggle between Bluetooth and Aux-in modes	11	EQ Button
	5	Play/Pause ▶   button	12
6	Power On/Standby Button	13	Album up
	7	< (◀◀ / Vol -) Button ·Press this button once to return to the beginning of current track or previous track. ·Press and hold this button to adjust volume level down.	14
		15	◀◀ button, previous track
		16	▶▶ button, next track
		17	OK Button
		18	Vol - Button
		19	Vol+ Button
		20	Bass- Button
		21	Bass+Button

## POWER SOURCES

### Power of Main unit

This unit is designed or operated on AC 100-240V~50/60Hz household mains supply, connect the AC cord into a convenient AC wall outlet.

### Power of Remote Control

To use the remote control, please ensure the remote control battery CR2032 (included) is installed properly and take the insulation clarity paper out.(Once you stop to use the remote control, please Insert in it same as before). Replace the remote control battery when it stops working. It is highly recommended to use a good quality button cell.



### BATTERY NOTE AND CARE





- ◆ Danger of explosion if the battery is replaced incorrectly. Replace only with the same type battery.
- ◆ Only use a good quality known brand battery to ensure the longest life and best performance.
- ◆ If the remote is not to be used for an extended period of time, remove the battery. An old or leaking battery can cause damage to the remote and may void the warranty.
- ◆ Do not dispose of batteries in fire. Batteries may leak or explode.
- ◆ Do not try to recharge batteries that are not intended to be recharged; they can overheat, rupture and leak (Follow battery manufacturer's directions).

## ACCESSORIES

- 1 x Remote Control (include 1PC button cell CR2032)
- 1 x User manual
- 1 x Line-in cable

### GETTING STARTED

**WARNING:** Do not apply power to the unit until all of your connections are made.

1. Plug the AC cord plug into a convenient AC wall outlet.
2. The power indicator will be lights up with 'Red' colour. The unit enters into 'STANDY BY' Mode.
2. Press the  Button on main unit or press & hold the  key on remote control to turn on the unit.
3. Press and hold the  Button on main unit or the  key on remote control to turn on the unit to switch the unit back to Standby mode.
4. Remove the power plug out of the AC wall outlet if you want to switch off the main voltage completely.

#### **How to change the play mode**

Press the MODE Button during power on, the play mode will be changed between the Bluetooth mode and AUX-IN mode, the power indicator will be in different colour during different play mode:

#### **Green colour for Aux-in mode**

#### **Blue colour for Bluetooth mode**

#### **SPECIAL TIPS:**

If Blue colour indicator flashes means that the speaker is available for pairing with other Bluetooth devices now, and if pairing is completed, the blue colour indicator stops flashing.

#### **Playback via Bluetooth**

Bluetooth involves a technology for wireless radio connection of devices over a short distance. Devices with Bluetooth standard are transmitting between 2.402 and 2.480 GHz in the ISM band (Industrial, Scientific and Medical). Interference can be caused for example by WLAN-networks, DAB radios, cordless phones, or microwave ovens which work on the same frequency band.

This device offers you the possibility to use a Bluetooth enabled device. The functional radius is limited to approx.10 metres depending on the surroundings and the unit used.

If your playing device supports the A2DP profile (Advanced Audio Distribution Profile) and has a music-player function, then you can also

wirelessly transfer music to the device. The A2DP profile involves a multi-vendor Bluetooth profile. By streaming, stereo-audio signals are wirelessly transferred between the playing device (source) and the receiving device.

Due to the different device manufacturers, models, and software versions, a full functionality cannot be guaranteed.

#### **Logging on devices (Pairing)**

Before you listen to music via the unit, you must pair the devices.

1. Ensure, that the Bluetooth function is activated in your player (e.g. mobile phone). For this, refer to the operation manual of your player.
2. Press the MODE button repeatedly, until the power indicator changed to blue to enter the Bluetooth mode. The blue color indicator flashes to show that the unit is in pairing mode.
3. Chose the Bluetooth menu in your player and register the device in your player. For this, refer to the operation manual of your player. The device “MW-1266” will show in your player as a selection.

#### **NOTE:**

Only one playback unit can be connected to the speaker. If the speaker is already connected to another playback unit, the speaker will not appear in the BT selection menu.

4. If your device asks for a passkey (depending on the device manufacturers, model, and software version), then enter digits “0000” (four zeros) and press OK.

If pairing has been carried out successfully, the Blue colour indicator stops flashing.

For the further procedure, please refer to the user manual of the playback unit. If possible, adjust the volume of the external unit to a comfortable level.

#### **NOTE:**

- Depending on the device manufacturer, you need to perform the registration (PAIRING) again to connect the devices







- The Bluetooth compatibility cannot be ensured for devices (e.g. mobile phones) getting released in the future.
- To ensure an optimal connection, make sure that the battery of your player is completely charged.
- Some of the mobile phone brands have an energy-saving mode. Deactivate the energy-saving mode as it can otherwise result in problems during the data transfer through Bluetooth.
- To be able to transfer audio data, Bluetooth needs to stay activated in your player. Observe the operation manual of your player.
- If a mobile phone on which you are playing music receives a call, the music will be interrupted. The sound however is not played back via the speaker. After you have ended the call, the devices are connected to each other again and playback continues. The volume increases slowly.

#### **USB Port : 5V Power Supply**

This USB port is designed for charging external devices only.

#### **AUX-IN (LINE IN) OPERATION**

If you are using an iPod or other MP3/digital audio player which can not connect this unit via Bluetooth, you can still play it on the unit via an audio connecting cable.

1. Connect an end of the audio cable (accompanied) to the headphone or line-out jack of an audio device and plug the other end into the Aux -in jack located on back of the main unit .
2. Press the  button on the main unit or press & hold the  key on remote control to turn on the unit.
3. Press MODE Button until the power indicator turns to Green to enter the AUX-IN mode.
4. Start the playback of the audio device connected.
5. Press "Vol +" / "Vol - " key on remote control or press and hold the ">"/ "<" button on the main unit to raise/lower the volume level. When finished, press and hold the  button on the main unit or press & hold the  key on remote control to turn off the main unit. Remember to turn off your audio device, too.

## TROUBLESHOOTING GUIDE

Should you experience difficulties in the use of this player, please refer to the following chart.

Fault	Cause	Solution
Unit cannot be operated.	Unit crashes and "hangs"	Disconnect from the mains for around 5 seconds. Then switch the unit on again.
No audio signal via the Bluetooth connection	Speaker is not paired to the audio source.	Check whether a connection exists. If necessary, pair the speaker again to the audio source.
	Volume too low	Increase the volume on the speaker
Increase the volume on the the audio source.		
Speaker cannot be connected	Pairing does not work	Check whether the audio source supports the A2DP protocol
	Audio source is switched off	Switch on the audio source
	Bluetooth is switched off at the audio source.	Switch on the Bluetooth function in the audio source.
	Bluetooth version is not supported.	Use a different playback unit.
Poor sound quality from a Bluetooth® device	Bluetooth device is almost out of range of the MW-1266	Move your Bluetooth device closer to the MW-1266
Remote control is not functioning properly.	Low battery.	Replace the battery with correct type CR2032
	Remote Control is not pointed to ward the IR window	Point the Remote Control to ward the unit IR window, use with in 10 feet of the unit.

## SPECIFICATIONS

Model:	MW-1266
Power Supply:	100-240V ~ 50/60Hz
Power Consumption:	40W
Power of Remote control:	1x3V $\frac{1}{3}$ type CR2032 Lithium Battery
Standby power consumption:	$\leq 0.5W$
Protection Class:	II
Net Weight :	approx. 2.5kg
Temperature range for use:	0-45°C

### Bluetooth

Bluetooth support :	V3.0+EDR
Range :	approx. 10 metres
Transmission frequency :	2.4GHz
Protocols :	A2DP 1.2

The right to make technical and design modifications in the course of Continuous product development remains reserved.

## FCC Information and Copyright

This equipment has been tested and found to comply with the limits for a Class B digital device, pursuant to part 15 of the FCC Rules.

These limits are designed to provide reasonable protection against harmful interference in a residential installation. This equipment generates,

uses and can radiate radio frequency energy and, if not installed and used in accordance with the instructions, may cause harmful interference

to radio communications. However, there is no guarantee that interference will not occur in a particular installation. If this equipment does

cause harmful interference to radio or television reception, which can be determined by turning the equipment off and on, the user is

encouraged to try to correct the interference by one or more of the following measures:

- Reorient or relocate the receiving antenna.
- Increase the separation between the equipment and receiver.
- Connect the equipment into an outlet on a circuit different from that to which the receiver is connected.
- Consult the dealer or an experienced radio/TV technician for help.

This device complies with part 15 of the FCC Rules. Operation is subject to the following two conditions:

- (1) This device may not cause harmful interference, and
- (2) this device must accept any interference received, including interference that may cause undesired operation.

changes or modifications not expressly approved by the party responsible for compliance could void the user's authority to operate the equipment.

This equipment complies with FCC radiation exposure limits set forth for an uncontrolled environment. This equipment should be installed and operated with minimum distance 20cm between the radiator & your body. This transmitter must not be co-located or operating in conjunction with any other antenna or transmitter.