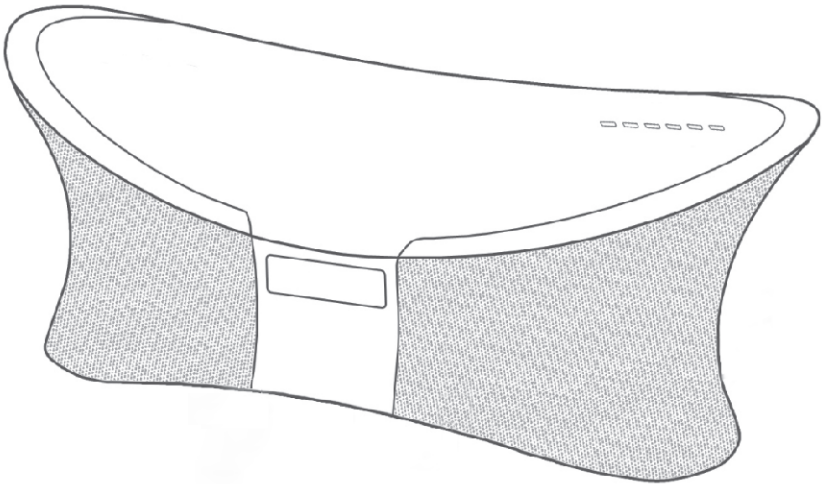


# *Maniway*

## **2.1CH BLUETOOTH SPEAKER**

**MODEL:MW-1239**



**PLEASE READ BEFORE OPERATING EQUIPMENT**

 **Bluetooth<sup>®</sup>**

## Warning:

To reduce the risk of electric shock, do not remove cover (or back) as there are no user-serviceable parts inside. Refer servicing to qualified personnel.



### **CAUTION TO REDUCE THE RISK OF ELECTRIC SHOCK, DO NOT REMOVE COVER (OR BACK). NO USER SERVICEABLE PARTS INSIDE. REFER TO QUALIFIED SERVICE PERSONNEL.**

- This lightning flash with arrowhead symbol within an equilateral triangle is intended to alert the user to the presence of non-insulated 'dangerous voltage' within the product's enclosure that may be of sufficient magnitude to constitute a risk of electric shock.
- The exclamation point within an equilateral triangle is intended to alert the user to the presence of important operating and maintenance instructions in the literature accompanying the appliance.

This equipment is a Class II or double insulated electrical appliance. It has been designed in such a way that it does not require a safety connection to electrical earth.

### IMPORTANT SAFETY INSTRUCTIONS

1. Read these instructions - All the safety and operating instructions should be read before this product is operated.
2. Keep these instructions - The safety and operating instructions should be retained for future reference.
3. Heed all warnings - All warnings on the appliance and in the operating instructions should be adhered to.
4. Follow all instructions - All operating and use instructions should be followed.
5. Do not use this apparatus near water - The appliance should not be used near water or moisture - for example, in a wet basement or near a swimming pool, and the like.
6. Clean only with dry cloth.
7. Do not block any ventilation openings. Install in accordance with the manufacturer's instructions.
8. Do not install near any heat sources such as radiators, heat registers, stoves, or other apparatus (including amplifiers) that produce heat.
9. Do not defeat the safety purpose of the polarized or grounding plug. A polarized plug has two blades with one wider than the other. A grounding plug has two blades and a third grounding prong. The wide blade or the third prong is provided for your safety. If the provided plug does not fit into your outlet, consult an electrician for replacement of the obsolete outlet.
10. Protect the power cord from being walked on or pinched particularly at the plugs, convenience receptacles, and at the point where they exit from the apparatus.
11. Only use attachments/accessories specified by the manufacturer.
12. Use only with the cart, stand, tripod, bracket, or table specified by the manufacturer, or sold with the apparatus. When a cart or rack is used, use caution when moving the cart/apparatus combination to avoid injury from tip-over.



13. Unplug the apparatus during lightning storms or when unused for long periods of time.
14. Refer all servicing to qualified personnel. Servicing is required when the apparatus has been damaged in any way, such as power supply cord or plug is damaged, liquid has been spilled or objects have fallen into the apparatus has been exposed to rain or moisture, does not operate normally, or has been dropped.
15. CAUTION: These servicing instructions are for use by qualified service personnel only. To reduce the risk of electric shock, do not perform any servicing other than that contained in the operating instructions unless you are qualified to do so.
16. Do not install this equipment in a confined or building-in space such as a book case or similar unit, and remain a well ventilation conditions at open site. The ventilation should not be impeded by covering the ventilation openings with items such as newspaper, table-cloths, curtains etc.
17. WARNING+Please refer the information on exterior bottom enclosure for electrical and safety information before installing or operating the apparatus.

18. **WARNING**•To reduce the risk of fire or electric shock, do not expose this apparatus to rain or moisture. The apparatus shall not be exposed to dripping or splashing and that objects filled with liquids, such as vases, shall not be placed on apparatus.
19. **WARNING**: The battery (battery or batteries or battery pack) shall not be exposed to excessive heat such as sunshine, fire or the like.
20. **WARNING**: The mains plug is used as disconnect device, the disconnect device shall remain readily operable.
21. No naked flame sources, such as lighted candles, should be placed on the apparatus.
22. Attention should be drawn to environmental aspects of battery disposal.
23. Use of the apparatus in moderate climates.

#### COMPLIANCE WITH FCC REGULATIONS

This device complies with Part 15 of the FCC Rules. Operation is subject to the following two conditions:

- (1) this device may not cause harmful interference, and
- (2) this device must accept any interference received, including interference that may cause undesired operation.

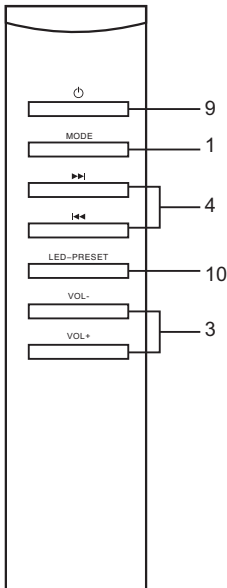
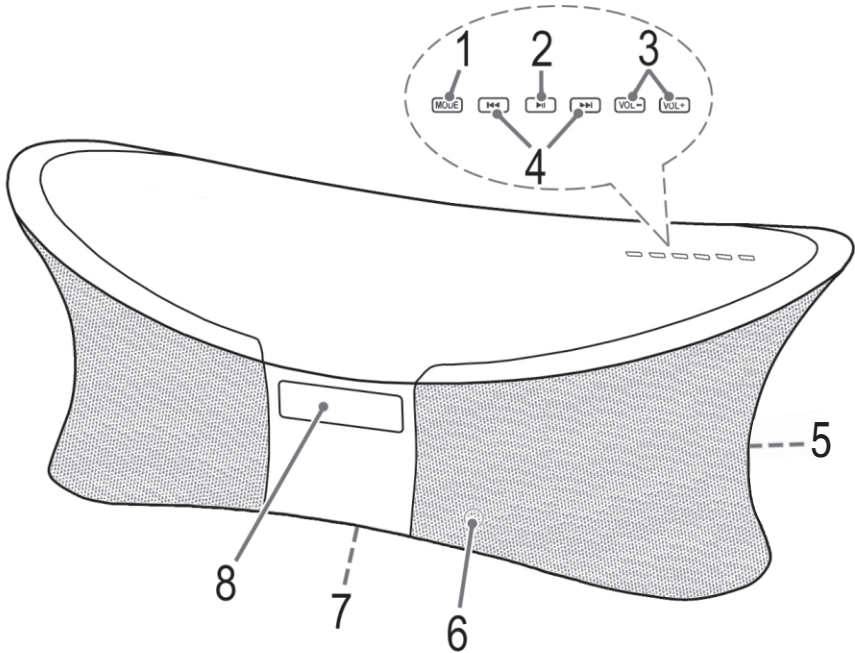
**NOTE** : This equipment has been tested and found to comply with the limits for a Class B digital device, pursuant to Part 15 of the FCC Rules.

These limits are designed to provide reasonable protection against harmful interference in a residential installation. This equipment generates, uses and can radiate radio frequency energy and, if not installed and used in accordance with the instructions, may cause harmful interference to radio communications. However, there is no guarantee that interference will not occur in a particular installation. If this equipment does cause harmful interference to radio or television reception, which can be determined by turning the equipment off and on, the user is encouraged to try to correct the interference by one or more of the following measures:

- Reorient or relocate the receiving antenna.
- Increase the separation between the equipment and receiver.
- Connect the equipment into an outlet on a circuit different from that to which the receiver is connected.
- Consult the dealer or an experienced radio/TV technician for help.

**CAUTION**: Changes or modifications not expressly approved by the party responsible for compliance could void the user's authority to operate the equipment.

# Location of Controls



## Location of Controls

- 1 MODE button (select source)
- 2 ►|| button (play/pause / On/Off)
- 3 VOL+/- buttons (increase/decrease volume)
- 4 ►/◄ buttons (search forward/backwards)
- 5 USB port (power supply only for charging)
- 6 IR receiver for remote control
- 7 Pilot lamp
- 8 Display
- 9 ⏻ button (On/Off)
- 10 LED PRESET(ON/OFF the pilot lamp)

### Back Side (not shown)

- AUX IN connectors (3.5 mm stereo jack)
- Power cord

## First Use of the Device/Introduction

### NOTE:

- The device is operated primarily with the remote control. Thus the descriptions refer to the buttons on the remote control. Some buttons are also on the device. Buttons with the same name have the same function.
- The buttons on the device are touch buttons. Touch the keys lightly with a finger to perform the function.
- Select a proper place for the device. A dry, level and slip proof surface is suitable.
- Make sure the device is vented sufficiently!
- Remove the protective film from the device, if present.

### Power supply

- Insert the power plug into a convenient Ac wall outlet socket with 120V,60 Hz.
- Make sure the grid voltage corresponds to the figures on the rating plate.

### NOTE:

Disconnect from mains power supply during longer periods of non-use.

### Insert/Replace Battery in Remote Control

- Open the battery compartment on the underside of the remote.
- Insert 2pcs UM-4/AAA type batteries. Pay attention to the correct polarity (see bottom of battery compartment)!
- Close the battery compartment.

### WARNING:


- Do not expose the batteries to intense heat, such as sunlight, fire or similar. **Danger of explosion!**
- Keep batteries out of the reach of children. They are **not** toys.
- Do not force batteries open.
- Avoid contact with metallic objects. (Rings, nails, screws etc.) **Danger of short circuits!**
- Short circuits may overheat or even ignite batteries. This may lead to combustion.

### CAUTION:


- Batteries must not be disposed of in the garbage. Please bring used batteries to competent collection centers or back to the dealer.

## General Operation

### Switch device on/off

- With the  button, you can switch the unit between standby and operating mode. In standby, the pilot lamp (7 on the device) lights red.
- To disconnect the unit completely from the mains, pull the mains plug from the socket.

### NOTE:

Keep the  button on the unit pressed to toggle the unit between standby and operating mode.

### Volume

By pressing the VOL+/VOL- buttons you can adjust the desired volume.

### Infrared Remote Control

For wireless control within a distance of 5 m. If the distance decreases you should change the battery. For proper operation mind a clear view between the remote control and the sensor on the device.

### Sound Settings

If necessary, change the EQ setting in your playback unit to create the best sound.

## Playing back music files

You have three options to play back your own music files with the unit: hardwired, wireless via Bluetooth, or via the USB port.

### By cable

- 1 Connect 3.5 mm stereo audio cable (included) to an external audio source. If required, use a suitable adapter (not included).
- 2 Insert the other end of the cable into the AUX-IN jack (Back Side) on the unit.
- 3 Repeatedly press the MODE button until "AUX" is shown on the display.
- 4 Start the playback of your audio source. Listen to the sound playback via the speaker. You can adjust the volume using the VOL+/VOL- buttons.
- 5 For the further procedure, please refer to the user manual of the external audio source.

### NOTE:

If possible, adjust the volume of the external unit to a comfortable level.

## Cordless via Bluetooth

Bluetooth involves a technology for wireless radio connection of devices over a short distance. Devices with Bluetooth standard are transmitting between 2.402 and 2.480 GHz in the ISM band (Industrial, Scientific and Medical). Interference can be caused for example by WLAN-networks, DAB radios, cordless phones, or microwave ovens which work on the same frequency band.

This device offers you the possibility to use a Bluetooth-enabled device. The functional radius is limited to approx. 10 metres depending on the surroundings and the unit used.

If your playing device supports the A2DP profile (Advanced Audio Distribution Profile) and has a music-player function, then you can also wirelessly transfer music to the device. The A2DP profile involves a multi-vendor Bluetooth profile. By streaming, stereo-audio signals are wirelessly transferred between the playing device (source) and the receiving device.

Due to the different device manufacturers, models, and software versions, a full functionality cannot be guaranteed.

### • Logging on devices (Pairing)

Before you listen to music via the unit, you must pair the devices.

1. Ensure, that the Bluetooth function is activated in your player (e.g. mobile phone). For this, refer to the operation manual of your player.
2. Press the MODE button repeatedly, until "bBLUE" is shown on the display. The "ⓑ" symbol flashes to show that the unit is in pairing mode.
3. Chose the Bluetooth menu in your player and register the device in your player. For this, refer to the operation manual of your player. The device "MW-1239" will show in your player as a selection.

#### **i** NOTE:

Only one playback unit can be connected to the speaker. If the speaker is already connected to another playback unit, the speaker will not appear in the BT selection menu.

4. Now enter the password "0000" in your player, depending on the device manufacturers, model, and software version.

If pairing has been carried out successfully, a beep sounds and the "ⓑ" symbol lights up.

For the further procedure, please refer to the user manual of the playback unit. If possible, adjust the volume of the external unit to a comfortable level.

#### **i** NOTE:

- Depending on the device manufacturer, you need to perform the registration (PAIRING) again to connect the devices

- The Bluetooth compatibility cannot be ensured for devices (e.g. mobile phones) getting released in the future.
- To ensure an optimal connection, make sure that the battery of your player is completely charged.
- Some of the mobile phone brands have an energy-saving mode. Deactivate the energy-saving mode as it can otherwise result in problems during the data transfer through Bluetooth.
- To be able to transfer audio data, Bluetooth needs to stay activated in your player. Observe the operation manual of your player.
- If a mobile phone on which you are playing music receives a call, the music will be interrupted. The sound however is not played back via the speaker. After you have ended the call, the devices are connected to each other again and playback continues. The volume increases slowly.

## USB port

This USB port can supply power 5V/2.1 A

## Listening to FM Radio

### Setting up the Antenna

Unstrap and extend the wire antenna fully for best reception. Do not strip, alter or attach to other antennas.

### Radio Tuning

1. Press MODE Button until "FM" icon shown on the display to enter the Radio mode.
2. Press the "▶▶" or "◀◀" button to automatically search for stations with strong signals, the tuner will stop on the first strong station signal it finds.
3. Press ST./MO. button on the remote control to select the stereo (St ON)/monaural (St OFF) mode.

#### Notes:

- Manual tune to select weaker stations that might be by skipped during automatic tuning
- If the automatic tuning does not stop on the exact frequency of the station, for example, it stops on 100.8MHz instead of 100.6MHz.

### Radio Preset Stations

The unit allows you to store up to 50 FM stations to recall at any time.

### Preset Stations

Press and hold the "▶▶" button until the frequency digits on display begins to scan then release the button, the unit will auto search from low-end frequency toward high-end frequency and automatically save up all the stations with strong signals in sequence. It will automatically play the No. 1 station saved once the auto searching is finished.

### Recalling the Preset Stations

Press the ▶▶ button to select the preset station in sequence

## Cleaning

- Before cleaning disconnect from mains power supply.
- Clean the device with a soft damp cloth without detergents.
- Do not submerge the device in water.

## Troubleshooting

Fault	Cause	Solution
Unit cannot be operated.	Unit crashes and "hangs".	Disconnect from the mains for around 5 seconds. Then switch the unit on again.
No audio signal via the Bluetooth connection	Speaker is not paired to the audio source.	Check whether a connection exists. If necessary, pair the speaker again to the audio source.
	Volume too low	Increase the volume on the speaker Increase the volume on the audio source.
	Mute operation is on	Press the Mute button to release mute
Speaker cannot be connected	Pairing does not work	Check whether the audio source supports the A2DP protocol.
	Audio source is switched off	Switch on the audio source
	Bluetooth is switched off at the audio source.	Switch on the Bluetooth function in the audio source.
	Bluetooth version is not supported.	Use a different playback unit.
Poor sound quality from a Bluetooth® device	Bluetooth device is almost out of range of the MW-1239	Move your Bluetooth device closer to the MW-1239
Radio interference.	Too close to a radio tower.	Move your speakers to see if the interference goes away. You may be able to purchase a shielded cable at your local electronics store.
Remote control is not functioning properly.	Low battery.	Replace the battery with correct type AAA or UM-4.
	Remote Control is not pointed to ward the IR window	Point the Remote Control to ward the unit IR window, use within 10 feet of the unit.

## Technical Specifications

Model: ..... MW-1239  
 Power supply: ..... 120V~60Hz  
 Power Consumption: ..... 35W  
 Power of Remote control: ..... 3V( 2x 1.5V "AAA"UM-4) Batteries  
 Protection class: ..... II  
 Net weight: ..... approx. 2.5 kg  
 FM Frequency Range: ..... 87.5-108MHz  
 Temperature range for use ..... 0-35°C

### Bluetooth

Bluetooth support: ..... V2.0  
 Range: ..... approx. 10 metres  
 Transmission frequency: ..... 2.4 GHz  
 Protocols: ..... A2DP 1.2