

# *ManiWay*

2.1CH Bluetooth Speaker  
For iPod/iPhone/iPad



MODEL:MW-1265

PLEASE READ BEFORE OPERATING THIS EQUIPMENT

 **Bluetooth®**

Made for  
 iPod  iPhone  iPad

**Warning:**

To reduce the risk of electric shock, do not remove cover (or back) as there are no user-serviceable parts inside. Refer servicing to qualified personnel.



**CAUTION TO REDUCE THE RISK OF ELECTRIC SHOCK, DO NOT REMOVE COVER (OR BACK). NO USER SERVICEABLE PARTS INSIDE. REFER TO QUALIFIED SERVICE PERSONNEL.**

- This lightning flash with arrowhead symbol within an equilateral triangle is intended to alert the user to the presence of non-insulated 'dangerous voltage' within the product's enclosure that may be of sufficient magnitude to constitute a risk of electric shock.
- The exclamation point within an equilateral triangle is intended to alert the user to the presence of important operating and maintenance instructions in the literature accompanying the appliance.

This equipment is a Class II or double insulated electrical appliance. It has been designed in such a way that it does not require a safety connection to electrical earth.

**IMPORTANT SAFETY INSTRUCTIONS**

1. Read these instructions - All the safety and operating instructions should be read before this product is operated.
2. Keep these instructions - The safety and operating instructions should be retained for future reference.
3. Heed all warnings - All warnings on the appliance and in the operating instructions should be adhered to.
4. Follow all instructions - All operating and use instructions should be followed.
5. Do not use this apparatus near water - The appliance should not be used near water or moisture - for example, in a wet basement or near a swimming pool, and the like.
6. Clean only with dry cloth.
7. Do not block any ventilation openings. Install in accordance with the manufacture's instructions.

8. Do not install near any heat sources such as radiators, heat registers, stoves, or other apparatus (including amplifiers) that produce heat.
9. Do not defeat the safety purpose of the polarized or grounding plug. A polarized plug has two blades with one wider than the other. A grounding plug has two blades and a third grounding prong. The wide blade or the third prong is provided for your safety. If the provided plug does not fit into your outlet, consult an electrician for replacement of the obsolete outlet.
10. Protect the power cord from being walked on or pinched particularly at the plugs, convenience receptacles, and at the point where they exit from the apparatus.
11. Only use attachments/accessories specified by the manufacturer.
12. Use only with the cart, stand, tripod, bracket, or table specified by the manufacturer, or sold with the apparatus. When a cart or rack is used, use caution when moving the cart/apparatus combination to avoid injury from tip-over.



13. Unplug the apparatus during lightning storms or when unused for long periods of time.
14. Refer all servicing to qualified personnel. Servicing is required when the apparatus has been damaged in any way, such as power supply cord or plug is damaged, liquid has been spilled or objects have fallen into the apparatus has been exposed to rain or moisture, does not operate normally, or has been dropped.
15. CAUTION: These servicing instructions are for use by qualified service personnel only. To reduce the risk of electric shock, do not perform any servicing other than that contained in the operating instructions unless you are qualified to do so.
16. Do not install this equipment in a confined or building-in space such as a book case or similar unit, and remain a well ventilation conditions at open site. The ventilation should not be impeded by covering the ventilation openings with items such as newspaper, table-cloths, curtains etc.
17. WARNING+Please refer the information on exterior bottom enclosure for electrical and safety information before installing or operating the apparatus.

18. WARNING+To reduce the risk of fire or electric shock, do not expose this apparatus to rain or moisture. The apparatus shall not be exposed to dripping or splashing and that objects filled with liquids, such as vases, shall not be placed on apparatus.
19. WARNING: The battery (battery or batteries or battery pack) shall not be exposed to excessive heat such as sunshine, fire or the like.
20. WARNING: The mains plug is used as disconnect device, the disconnect device shall remain readily operable.
21. No naked flame sources, such as lighted candles, should be placed on the apparatus.
22. Attention should be drawn to environmental aspects of battery disposal.
23. Use of the apparatus in moderate climates.

**COMPLIANCE WITH FCC REGULATIONS**

This device complies with Part 15 of the FCC Rules. Operation is subject to the following two conditions:

- (1) this device may not cause harmful interference, and
- (2) this device must accept any interference received, including interference that may cause undesired operation.

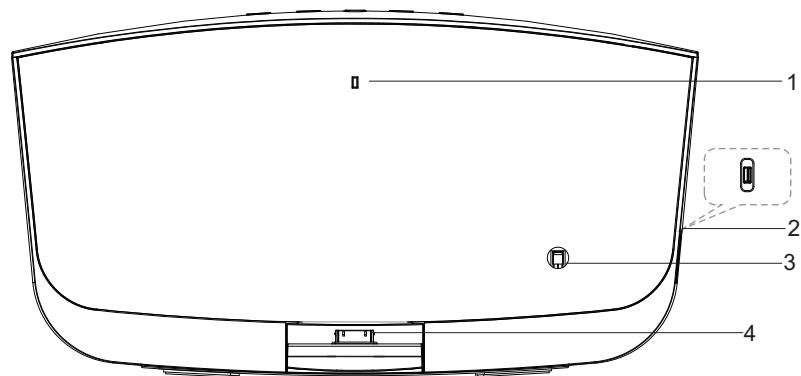
NOTE : This equipment has been tested and found to comply with the limits for a Class B digital device, pursuant to Part 15 of the FCC Rules.

These limits are designed to provide reasonable protection against harmful interference in a residential installation. This equipment generates, uses and can radiate radio frequency energy and, if not installed and used in accordance with the instructions, may cause harmful interference to radio communications. However, there is no guarantee that interference will not occur in a particular installation. If this equipment does cause harmful interference to radio or television reception, which can be determined by turning the equipment off and on, the user is encouraged to try to correct the interference by one or more of the following measures:

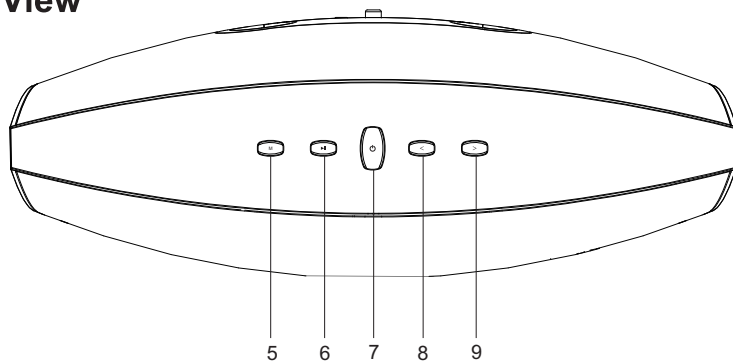
- Reorient or relocate the receiving antenna.
- Increase the separation between the equipment and receiver.
- Connect the equipment into an outlet on a circuit different from that to which the receiver is connected.
- Consult the dealer or an experienced radio/TV technician for help.

CAUTION: Changes or modifications not expressly approved by the party responsible for compliance could void the user's authority to operate the equipment.

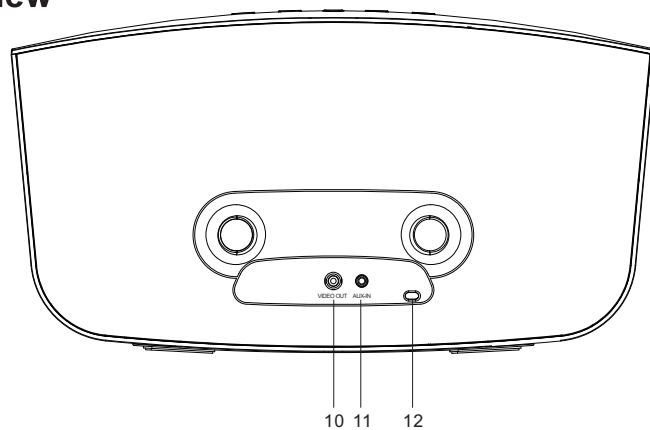
## Location of Controls Front View



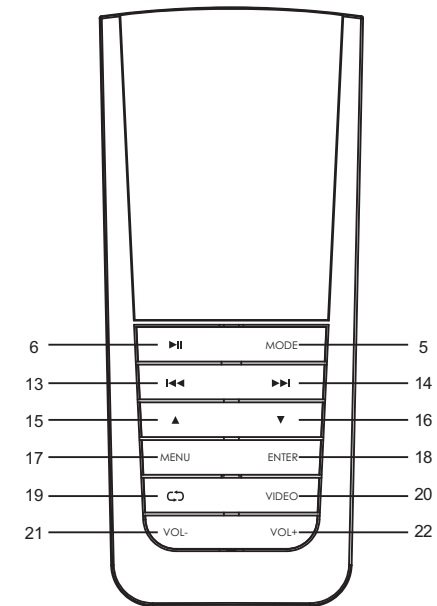
## Top View



## Back View



## REMOTE CONTROL



- |  |  |
|--|--|
| 1 Power on Indicator   | 10 RCA Video out Jack  |
| 2 USB port   | 11 Aux-In Jack   |
| 3 Remote sensor  | 12 AC Cord   |
| 4 iPad/iPhone/iPod dock connector  | 13 ◀◀ Button   |
| 5 MODE button  | 14 ▶▶ button   |
| 6 Play/Pause ▶   button  | 15 UP button   |
| 7 Power On/Standby Button  | 16 Down button   |
| 8 <( ◀◀ / Volume-) Button  | 17 Menu button   |
| •Press this button once to return to the beginning of current track or previous track. | 18 ENTER/OK Button   |
| Press and hold this button to adjust volume level down.                                | 19 REPEAT button   |
| 9 >( ▶▶ / Volume+) Button:   | 20 Video Out On/Off Button   |
| •Press this button once to to advance to the next track .                              | •Toggles the video output on and off, the video out default is set to off. |
| Press and hold this button to adjust volume level up.                                  | 21 Volume- Button  |
|  | 22 Volume+ Button  |

## First Use of the Device/Introduction

### NOTE:

- The device is operated primarily with the remote control. Thus the descriptions refer to the buttons on the remote control. Some buttons are also on the device. Buttons with the same name have the same function.
- The buttons on the device are touch buttons. Touch the keys lightly with a finger to perform the function.

- Select a proper place for the device. A dry, level and slip proof surface is suitable.
- Make sure the device is vented sufficiently!
- Remove the protective film from the device, if present.

### Power supply

- Insert the power plug into a convenient Ac wall outlet socket with 100-240 V, 50/60 Hz.
- Make sure the grid voltage corresponds to the figures on the rating plate.

### NOTE:

Disconnect from mains power supply during longer periods of non-use.

### Insert/Replace Battery in Remote Control

- Open the battery compartment on the underside of the remote.
- Insert 1 pc CR2032 button type battery. Pay attention to the correct polarity (see bottom of battery compartment)!
- Close the battery compartment.

### WARNING:

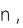

- Do not expose the batteries to intense heat, such as sunlight, fire or similar. **Danger of explosion!**
- Keep batteries out of the reach of children. They are **not** toys.
- Do not force batteries open.
- Avoid contact with metallic objects. (Rings, nails, screws etc.) **Danger of short circuits!**
- Short circuits may overheat or even ignite batteries. This may lead to combustion.

### CAUTION:

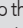
- Batteries must not be disposed of in the garbage. Please bring used batteries to competent collection centers or back to the dealer.

## General Operation

### Switch device on/off

- With the  button, you can switch the unit between standby (by pressing and hold the  button) and operating mode. In standby, the Power on Indicator lights red.
- To disconnect the unit completely from the mains, pull the mains plug from the socket.

### NOTE:

Keep the  button on the remote control pressed to toggle the unit between standby and operating mode.

### Volume

By pressing & hold the ">/<" buttons on the unit or pressing the VOL+/VOL- buttons on the remote control you can adjust the desired volume.

### Infrared Remote Control

For wireless control within a distance of 5 m. If the distance decreases you should change the battery. For proper operation mind a clear view between the remote control and the sensor on the device.

### Sound Settings

If necessary, change the EQ setting in your playback unit to create the best sound.

### NOTE:

How to change the play mode  
Press the MODE Button during power on, the play mode will be changed cyclically from Bluetooth mode to iPad/iPhone/iPod playback mode, USB mode, and then to AUX-IN mode, meanwhile, the Power on indicator light color will be changed from Flashing Blue (Bluetooth mode), Orange (iPad / iPhone / iPod playback mode), Purple (USB mode), and then to cyan (AUX mode)

## Playing back music files

You have 4 options to play back your own music files with the unit: hardwired, wireless via Bluetooth, iPod(iPhone/iPad) via the iPod dock, or via the USB port.

### By cable

- Connect 3.5 mm stereo audio cable (included) to an external audio source. If required, use a suitable adapter (not included).
- Insert the other end of the cable into the AUX-IN jack (Back Side) on the unit.
- Press the MODE button repeatedly until the power on indicator changed to cyan to enter the AUX mode.
- Start the playback of your audio source. Listen to the sound playback via the speaker. You can adjust the volume using the VOL+/VOL- buttons.
- For the further procedure, please refer to the user manual of the external audio source.

### NOTE:

If possible, adjust the volume of the external unit to a comfortable level.

### Cordless via Bluetooth

Bluetooth involves a technology for wireless radio connection of devices over a short distance. Devices with Bluetooth standard are transmitting between 2.402 and 2.480 GHz in the ISM band (Industrial, Scientific and Medical). Interference can be caused for example by WLAN-networks, DAB radios, cordless phones, or microwave ovens which work on the same frequency band.

This device offers you the possibility to use a Bluetooth-enabled device. The functional radius is limited to approx. 10 metres depending on the surroundings and the unit used.

If your playing device supports the A2DP profile (Advanced Audio Distribution Profile) and has a music-player function, then you can also wirelessly transfer music to the device. The A2DP profile involves a multi-vendor Bluetooth profile. By streaming, stereo-audio signals are wirelessly transferred between the playing device (source) and the receiving device.

Due to the different device manufacturers, models, and software versions, a full functionality cannot be guaranteed.

### Logging on devices (Pairing)

Before you listen to music via the unit, you must pair the devices.

- Ensure, that the Bluetooth function is activated in your player (e.g. mobile phone). For this, refer to the operation manual of your player.
- Press the MODE button repeatedly, until the power on indicator changed to blue to enter the Bluetooth mode. The blue color indicator flashes to show that the unit is in pairing mode.
- Chose the Bluetooth menu in your player and register the device in your player. For this, refer to the operation manual of your player. The device "MW-1265" will show in your player as a selection.

### NOTE:

Only one playback unit can be connected to the speaker. If the speaker is already connected to another playback unit, the speaker will not appear in the BT selection menu.

- If your device asks for a passkey (depending on the device manufacturers, model, and software version), then enter digits "0000" (four zeros) and press OK.

If pairing has been carried out successfully, the Blue colour indicator stops flashing.

For the further procedure, please refer to the user manual of the playback unit. If possible, adjust the volume of the external unit to a comfortable level.

### NOTE:

- Depending on the device manufacturer, you need to perform the registration (PAIRING) again to connect the devices
- The Bluetooth compatibility cannot be ensured for devices (e.g. mobile phones) getting released in the future.
- To ensure an optimal connection, make sure that the battery of your player is completely charged.
- Some of the mobile phone brands have an energy-saving mode. Deactivate the energy-saving mode as it can otherwise result in problems during the data transfer through Bluetooth.
- To be able to transfer audio data, Bluetooth needs to stay activated in your player. Observe the operation manual of your player.
- If a mobile phone on which you are playing music receives a call, the music will be interrupted. The sound however is not played back via the speaker. After you have ended the call, the devices are connected to each other again and playback continues. The volume increases slowly.

### USB port

This device has been developed in line with the latest technical advances in the USB field. The wide range of different USB storage devices of all types which are currently on the market, unfortunately do not allow us to guarantee full compatibility with all USB storage devices. For this reason, in rare cases there may be problems in playing back files from USB storage devices. This is **not** a malfunction of the device.

- Press the MODE button repeatedly until the power on indicator changed to Purple to enter the USB mode.
  - Connect a USB storage device directly into the port.
- For operation, please refer to the section "Description of the USB controls".

### NOTE:

- Always **directly** connect a USB storage medium to the USB port to prevent any malfunctions.
- The USB port is also designed for charging external devices during any modes other than USB mode.

### CAUTION:

Before removing the USB storage device, switch the device to another mode using the MODE button.



**WORKING WITH AN iPad / iPhone / iPod****CHARGING YOUR iPad / iPhone / iPod**

Even if the main unit is in standby mode, once your iPad, iPhone, iPod touch or iPod nano is docked onto the Docking Connector, the charging will start automatically until the battery is full.

**LISTENING TO MUSIC ON YOUR iPad / iPhone / iPod**

1. Press the Power on Button on the main unit or Play/pause button on remote control to turn the unit on.
2. Press MODE Button repeatedly until the power on indicator changed to orange to enter the iPod/iPhone/iPad playback mode.
3. Dock your iPad, iPod or iPhone through the iPod dock connector.

Press ►| "PLAY/PAUSE" button to start the music or pause the current track.

Press "Vol +"/"Vol -" button on remote control or press and hold the ">"/"<" button on the main unit to raise/lower the volume level. Press ">" or "►|" button to skip to next track or press "<" or "◀◀" button to the previous track.

Press and hold "►|" or "◀◀" button on remote control to search during the desired music.

To remove your iPod/iPhone, simply stop the playback and gently unplug it from the dock connector

**Note:**

The output volume is controlled by the unit setting and not by iPod volume level.

Make sure that your iPad, iPod, iPhone is securely docked into system. Failure to do so may cause damage to your device.

**HOW TO WATCH VIDEOS ON YOUR iPad / iPhone / iPod nano SCREEN**

1. Dock your Apple device carefully and securely onto the Flexible Docking Connector.
2. Tap the Power Button on the main unit or the Play/Pause Button on the remote control to turn on the unit. Press MODE button repeatedly until the power on indicator changed to orange to enter the iPod/iPhone/iPad playback mode.
3. Access the "Videos" function of your Apple device and select the video clip you want to play. It will be played back on the LCD screen of your Apple device.
4. For the iPad, iPhone and iPod touch, you can additionally watch your favorite Youtube videos when you are connected to the internet via Wi-Fi, GSM 2G/3G or CDMA mobile data networks. Note: Videos will play properly on the screen when using an iPad, iPad 2 and

iPod nano 3rd generation when in the vertical position. Videos may play back on the screen rotated 90 degrees for all other supported iPhone or iPod models.

5. High quality 2.1 channel audio output from your videos will be played back through the built-in stereo speakers and subwoofer.
6. After selecting the video you wish to view and it starts playing, tap the Play/Pause ►| Button of the remote or the main unit to pause or play.
7. Press the ►| Button on the remote or ">" on the main unit to advance to end of current clip and return to previous menu. Press and hold the ►| Button on the remote only during playback for fast forward search within the clip.
8. Press the ◀◀ Button on the remote or "<" button on the main unit to return to the beginning of current clip. Press and hold the ◀◀ button on the remote only during playback for fast backward search within the clip.
9. Press the Vol+ and Vol- on the remote to adjust the volume output level.
10. Press and hold the ">" and "<" Buttons on the main unit will also increase and decrease the volume output level.
11. If you want to repeat a video clip, press the Repeat Button on the remote once. To cancel repeat, press the Repeat Button two more times. However, there is no corresponding repeat icon on your Apple device screen in video mode to show the repeat status.
12. Press the Mute Button on the remote to cut off the audio output from the speakers momentarily. Press again to resume listening.

**Note:**

- Do not press the Play/Pause Button before a video is playing, otherwise it will resume playback of the last song being played from the iPod music library instead.
- The search functions of the ◀◀ and ►| Buttons only work for videos saved in your Apple device. Streaming Youtube videos are not supported.
- If you play back a series of Podcast videos under the same folder or camera rolls under the same date, pressing the ►| on the remote will skip forward to the next video until the last one is reached. Pressing the ◀◀ Button will skip backward to the previous video until the first one is reached.
- If you are playing self-complied videos and used a 3rd party video conversion program, executing the skip forward/backward, Menu and Up/down functions may cause the video to start play back from the beginning of the video instead of where it left off, this is normal. Videos and podcasts downloaded directly from the Apple iTunes Store will function normally.

**HOW TO WATCH VIDEOS ON A TV**

1. Connect the Video Out Jack of the unit to the composite video input of your external TV with the composite video cable (included). Normally, you need to select AV IN of your TV to watch the video playing through its composite video input.
2. If you are using the iPod nano, you need to turn on the TV Out option manually from the video setting menu of your iPod.
3. The video output default is set to local screen of the Apple device when you turn the main unit power on. If you change the video output to TV output and then undock it afterwards, the main unit will revert back to the default local Apple device screen output for the next docked device.

**Watching Videos From Your iPad**

1. In iPod mode, carefully mount the iPad onto the Flexible Docking Connector of the main unit.
2. Touch the "Videos" icon on the iPad and select the video or podcast you want to watch.
3. Press the Video Button on the remote once to switch the video output to your external TV.
4. Touch the play button on the iPad to play.
5. The video will begin playing on the external TV screen.
6. High quality 2.1 channel audio output from your videos will be played back through the built-in stereo speakers and subwoofer.
7. The Play/Pause ►|, ►|, ◀◀, Repeat, Vol+ and Vol- Buttons all work the same way as if you watched the video on the iPad screen.

**Note:**

- Do not press the Play/Pause Button before a video is playing, otherwise it will resume playback of the last song being played from the iPod music library instead.
- Using the Video On/Off Button, you can be freely switch between the iPad screen (default) and external TV as often as you like.
- When you switch the video output, the playing video will pause and return to previous screen. You need to touch the play button on the iPad to resume playback.
- Videos saved in "Camera Roll" folder under "Albums" in iPad 2 "Photos" function can also be played back on your external TV. When the video starts playing, you can use the ►| Button on the remote to pause & play; the and ►| Buttons to skip to the beginning & end of the current video and the Video On/Off Button to ◀◀ switch output screen.
- If you are watching streaming Youtube videos, you can use the Video Button to freely switch between the iPad screen and external TV as often as you like without interruption. However, the search functions of the ◀◀ and ►| Buttons will not function.

- If you play back a series of Podcast videos under the same folder or camera rolls under the same date, pressing the ►| on the remote will skip forward to the next video until the last one is reached. Pressing the ◀◀ Button will skip backward to the previous video until the first one is reached.
- If you are playing self-complied videos and used a 3rd party video conversion program, executing the skip forward/backward, Menu and Up/down functions may cause the video to start play back from the beginning of the video instead of where it left off, this is normal. Videos and podcasts downloaded directly from the Apple iTunes Store will function normally.

**Watching Videos From Your iPhone and iPod touch**

1. In iPod mode, mount the iPhone or iPod touch onto the Flexible Docking Connector of the main unit carefully.
2. Touch the "Videos" icon on the Apple device to access your video library.
3. Press the Video Button of the remote once to switch video output to your external TV.
4. Touch the video or podcast you want to play.
5. The video will begin playing on the external TV screen.
6. High quality 2.1 channel audio output from your videos will be played back through the built-in stereospeakers and subwoofer.
7. The Play/Pause ►|, ►|, ◀◀, Repeat, Vol+ and Vol- Buttons all work in the same way as you watch the video on iPhone/iPod touch screen.

**Note:**

- Do not press the Play/Pause Button before a video is playing, otherwise it will resume playback of the last song being played from the iPod music library instead.
- Using the Video On/Off Button, you can be freely switch between the iPhone/iPod touch screen (default) and external TV as often as you like.
- When you switch video output, the playing video or Youtube video will pause and return to previous screen. You need to touch the play button on the iPhone/iPod touch to resume playback.
- Videos saved in "Camera Roll" folder under "Albums" in iPhone 4S/iPhone 4 and iPod touch 4th generations "Photos" function can also be played back on your external TV. When the video starts playing, you can use the ►| Button of the remote to pause & play; the ◀◀ and ►| Buttons to skip to the beginning & end of the current video and the Video On/Off Button to switch output screen.
- The search functions of the and Buttons will not function when you are watching streaming Youtube videos.

- If you play back a series of Podcast videos under the same folder or camera rolls under the same date, pressing the **▶▶** on the remote will skip forward to the next video until the last one is reached. Pressing the **◀◀** Button will skip backward to the previous video until the first one is reached.
- If you are playing self-complied videos and used a 3<sup>rd</sup> party video conversion program, executing the skip forward/backward, Menu and Up/down functions may cause the video to start play back from the beginning of the video instead of where it left off, this is normal. Videos and podcasts downloaded directly from the Apple iTunes Store will function normally.

**Watching Videos on Your iPod nano (except iPod nano 6<sup>th</sup> generation)**

1. In iPod mode, mount the iPod nano onto the Flexible Docking Connector of the main unit carefully.
2. Select the "Videos" function on the Apple device to access your video library.
3. Press the Video Button of the remote once to switch video output to your external TV.
4. Use the Click Wheel and Center button of the iPod nano to choose the video or podcast you want to play.
5. The video will begin playing on the external TV screen.
6. High quality 2.1 channel audio output from your videos will be playback through the built-in stereo speakers and subwoofer.
7. The Play/Pause **▶||**, **▶▶**, **◀◀**, Repeat, Vol + and Vol- Buttons all work in the same way as you watch the video on iPod nano screen.

**Note:**

- Do not press the Play/Pause Button before a video is playing, otherwise it will resume playback of the last song being played in the iPod music library instead.
- Using the Video On/Off Button, you can be freely switch between the iPod nano screen (default) and external TV as often as you like.
- If you decide to change back to local screen mode afterwards, press Menu Button on the click wheel of your iPod nano to exit to the video selection screen after pressing the remote Video On/Off Button once (remarks: the video will continue to play on TV). Then choose your desired video manually with the Click Wheel and press the Center Button on the iPod nano to resume playing.
- If you play back a series of podcast videos under the same folder or camera rolls taken by iPod nano 5<sup>th</sup> generation under the same date, pressing the **▶▶** on the remote will skip forward to the next video until the last one is reached. Pressing the **◀◀** Button will skip backward to the previous video until the first one is reached.

- While you are playing self-complied videos prepared from 3rd party video conversion software, executing skip forward/backward, Menu, Up/down or Video On/Off functions may cause the video to play back from the beginning instead of where left off, this is normal. Videos and podcasts downloaded directly from Apple iTunes Store will work normally.

**Description of the USB controls**



You can pause and continue music playback. Press again to continue playback.



Press 1 x = Skip to the previous song.  
Press 2 x = Skip to the song before the previous song.



Press to skip to the next song and the following songs.



Activates the Repeat function.  
• All titles are constantly repeated by default.

- Press the button to repeat only the current title. The Purple color power indicator flashes.

**Cleaning**

- Before cleaning disconnect from mains power supply.
- Clean the device with a soft damp cloth without detergents.
- Do not submerge the device in water.

**Troubleshooting**

Fault	Cause	Solution
Unit cannot be operated.	Unit crashes and "hangs".	Disconnect from the mains for around 5 seconds. Then switch the unit on again.
No audio signal via the Bluetooth connection	Speaker is not paired to the audio source.	Check whether a connection exists. If necessary, pair the speaker again to the audio source.
	Volume too low	Increase the volume on the speaker Increase the volume on the audio source.
Speaker cannot be connected	Pairing does not work	Check whether the audio source supports the A2DP protocol.
	Audio source is switched off	Switch on the audio source
	Bluetooth is switched off at the audio source.	Switch on the Bluetooth function in the audio source.
	Bluetooth version is not supported.	Use a different playback unit.
Poor sound quality from a Bluetooth® device	Bluetooth device is almost out of range of the MW-1265	Move your Bluetooth device closer to the MW-1265
Remote control is not functioning properly.	Low battery.	Replace the battery with correct type CR2032
	Remote Control is not pointed to ward the IR window	Point the Remote Control to ward the unit IR window, use with in 10 feet of the unit.

Fault	Cause	Solution
Apple device does not respond to the speaker system.	Apple device is not installed properly.	Remove your Apple device from the dock and check for obstruction on the connectors in the dock and on your Apple device. Then reset it on the dock.
	Apple device is locked up.	Please make sure that your Apple device is working properly before docking into the unit. Please refer to your Apple device manual for info on resetting the device.
Apple device does not recharge.	Apple device is not installed properly.	Remove your Apple device from the dock and check for obstruction on the connectors in the dock and on your Apple device. Then reset it in the dock.
No video output on external TV.	TV is not turned on and not set to AV IN mode.	Check TV power supply again and turn it on. Then set it to AV IN mode.
	Video cable is broken.	Change to a good or new composite video cable.

"Made for iPod", "Made for iPhone", "Made for iPad" mean that an electronic accessory has been designed to connect specifically to iPod, iPhone, iPad, respectively, and has been certified by the developer to meet Apple performance standards. Apple is not responsible for the operation of this device or its compliance with safety and regulatory standards. Please note that the use of the accessory with iPod, iPhone, iPad may affect wireless performance.

iPad, iPhone, iPod, iPod classic, iPod nano and iPod touch are trademarks of Apple Inc. registered in the U.S and other countries.

## 11 English

### Technical Specifications

---

Model: ..... MW-1265  
Power supply: .....100-240V~50/60Hz  
Power Consumption: .....40 W  
Power of Remote control: .....1x3V= type CR2032 Lithium Battery  
Protection class: ..... II  
Net weight: ..... approx.2.6kg  
Temperature range for use: .....0-45°C

#### Bluetooth

Bluetooth support: ..... V2.1 + EDR  
Range: ..... approx. 10 metres  
Transmission frequency: .....2.4 GHz  
Protocols: ..... A2DP 1.2

The right to make technical and design modifications in the course of continuous product development remains reserved.

This device has been tested according to all relevant current CE guidelines, such as electromagnetic compatibility and low voltage directives, and has been constructed in accordance with the latest safety regulations.



### Disposal

---

#### Meaning of the "Wheelie Bin" Symbol

Take care of our environment, do not dispose of electrical appliances via the household waste.

Dispose of obsolete or defective electrical appliances via municipal collection points.

Please help to avoid potential environmental and health impacts through improper waste disposal.

You contribute to recycling and other forms of utilization of old electric and electronic appliances.

Your municipality provides you with information about collecting points.