

# BRAND

## Portable Bluetooth Speaker



PLEASE READ BEFORE OPERATING THIS EQUIPMENT.

Model No. :MW-1306



## **IMPORTANT SAFETY INSTRUCTIONS**

When used in the directed manner, this unit has been designed and manufactured to ensure your personal safety. However, improper use can result in potential electrical shock or fire hazards. Please read all safety and operating instructions carefully before installation and use, and keep these instructions handy for future reference. Take special note of all warnings listed in these instructions and on the unit.

### **Water and Moisture**

The unit should not be used near water or wet space . Such as bathtub, washbowl, kitchen sink, laundry tub, swimming pool or basement.

### **Ventilation**

The unit should be situated in the location or position which places won't interfere its proper ventilation. For example, it should not be situated on a bed, sofa, rug or similar surface that may block the ventilation openings. Also, it should not be placed in a built-in installation, such as a bookcase or cabinet, which may impede the flow of air through the ventilation openings.

### **Heat**

The unit should be situated away from heat sources such as radiators, heat registers, stoves or other appliances (including amplifiers) that produce heat.

### **Power Charger**

The unit should be connected to a power charger(not included) only of the type described in the operating instructions or as marked on the appliance.

**Cleaning**

The unit should be cleaned only as recommended. See the section « Care and Maintenance » of this manual for cleaning instructions.

Object and Liquid Entry Care should be taken so that objects do not fall and liquids are not spilled into any openings or vents located on the product.

**Damage Requiring Service**

This unit should be serviced by qualified service personnel when:

Objects have fallen into or liquid has been spilled into the enclosure.

The unit has been exposed to rain.

The unit has been dropped or the enclosure damaged.

The unit exhibits a marked change in performance or does not operate normally.

**Periods of Nonuse**

If the unit is to be left unused for an intended period of time, such as a week or longer, the power cord should be unplugged from the unit to prevent damage or corrosion.

**Servicing**

The user should not attempt to service the unit beyond those methods described in the user's operating instructions.

Service methods not covered in the operating instructions should be referred to qualified service personnel.

**CAUTION:**

Danger of explosion if battery is incorrectly replaced.  
Replace only with the same or equivalent type.

**WARNING:**

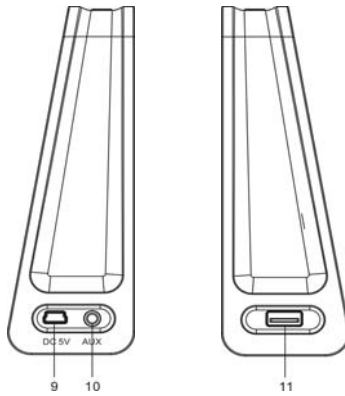
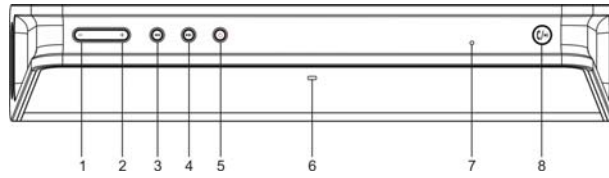
- ◆ Batteries shall not be exposed to excessive heat such as sunshine, fire or the like.
- ◆ To reduce the risk of fire or electric shock, do not expose this apparatus to rain or moisture. The apparatus shall not be exposed to dripping or splashing and that objects filled with liquids, such as vases, shall not be placed on apparatus.

**CARE AND MAINTENANCE**

- ◆ Do not subject the unit to excessive force, shock, dust or extreme temperature.
- ◆ Do not tamper the internal components of the unit.
- ◆ Clean the unit with a damp (never wet) cloth except metal contact or speaker grille, Solvent or detergent should never be used.
- ◆ Avoid leaving your unit in hot, humid or dusty places.
- ◆ Keep your unit away from heating appliances and sources of electrical noise such as fluorescent lamps or motors.
- ◆ Always keep your finger dry and clear before touching all the buttons.
- ◆ Do not dispose of batteries in fire, batteries may explode or leak.

## LOCATION OF CONTROLS

Top View



### 1. -Button

Press this button to adjust volume level down.


### 2. + Button

- Press this button to adjust volume level up

### 3. ◀◀ Button(for USB only)

- Press this button once to return to the beginning of current track or previous track.

### 4. ▶▶ Button(for USB only)

- Press this button once to advance to the next track .
5.  **Power On/Standby Button**
  6. **Battery charging Indicator (Red color)**
    - Rapid flashing =low battery
    - ◆ While charging :
      - Flashing =charging
      - Steady Red= full charged

**Operating mode indicator (Blue/Green/Cyan)**

Blue color =Bluetooth mode

Green=Aux-in mode

Green=USB mode

**7. Built-in Microphone**

8.  **Button**

- While unit is in Bluetooth or TF card Playback mode, press once to play or pause the current track.
- In Bluetooth mode, when receiving an incoming call on your cell phone, tap this button once to answer the phone, press this button again or press and hold this button to end the call or ignore the incoming call.

**9. Mini USB Charging jack**

**10. Aux-In Jack**

**11. USB port**

**BATTERY CHARGING INSTRUCTION**

This unit operates on a built-in Li-ion battery that can be recharged either using the USB port on your computer or from a

USB power adaptor (not included) with a rated output of DC 5V 500mA and up.

Note: The mini USB CHARGING JACK located on this unit is only designed for charging the built-in Li-ion battery.

#### **CHARGING THE BATTERY FOR FIRST TIME**

1.) Charge the built-in Li-ion battery a minimum of 4 hours prior to first use.

Plug the unit into the USB port on your computer or into a USB power adaptor (not included) using the included USB cable.

2.) The battery charging indicator flashes while charging and it stops flashing when the unit is fully charged.

Unplug the USB cable from the power source once the battery is fully charged.

#### **RECHARGING THE INTERNAL BATTERY**

After prolonged use, the internal battery will become weak and the operation may become intermittent. When the internal battery capacity is very low, the battery Indicator will rapidly flash in red to alert you to recharge the internal battery as soon as possible.

Plug the speaker into a USB port on your computer by using the included USB cable or into a DC 5V, 500mA and up USB power adaptor (not included). Disconnect the USB cable from the speaker as soon as it is fully charged.

#### **Notes:**

1. Charging time will vary if you are listening to music while charging the internal battery. We recommend you switch off the speaker power during the charging process.
2. To prolong the life of a rechargeable battery, it is recommended to completely discharge it before fully charging it again .
3. Rechargeable batteries need to be cycled for maximum performance and longer battery life. If you don't use the player that often, be sure to recharge the battery at least once a month in order to keep the internal battery working properly.

 **Battery Note and Care**

Do not burn or bury batteries.

Do not puncture or crush.

Do not disassemble.

Li-ion batteries must be recycled. Do not dispose of in the trash.

Use only chargers rated for Li-ion cells. Be sure the charger's voltage and current settings are correct for the battery pack being charged.

Charge batteries on a fireproof surface and away from flammable items or liquids. Batteries should NEVER be left unattended while charging. Only adults should charge the batteries.

Follow the manufacturer's instructions for charging the product and do not charge longer than recommended. Unplug the charger when the battery is charged or not in use.



Note: The speaker is not magnetically shielded and may cause color distortion on the screen of some TVs or video monitors. To avoid this, you may need to move the unit further away from the TV or monitor if an unnatural color shifts or image distortion occurs.

#### **TURN THE SPEAKER POWER ON/OFF**

1. Slide the Power ON/OFF selector on the bottom of the unit to ON position (where the orange round mark on the selector can not be seen), a voice prompt "**Power on**" and a beep sound is heard in 2-3 seconds. Meanwhile, the **Operating mode indicator** will flash in blue.
2. To turn the unit off, slide the Power ON/OFF switch to OFF position (where the orange round mark on the selector can be seen).

#### **OPERATING THE SPEAKER IN BLUETOOTH MODE**

Bluetooth involves a technology for wireless radio connection of devices over a short distance. Devices with Bluetooth standard are transmitting between 2.402 and 2.480 GHz in the ISM band (Industrial, Scientific and Medical). Interference can be caused, for example by WLAN-networks, DAB radios, cordless phones, or microwave ovens which work on the same frequency band.

- This speaker offers you the possibility to use a Bluetooth enabled device. The functional radius is limited to approx. 10 metres depending on the surroundings and the unit used.

- If your playing device supports the A2DP profile (Advanced Audio Distribution Profile) and has a music-player function, then you can also wirelessly transfer music to the device. The A2DP profile involves a multi-vendor Bluetooth profile. By streaming, stereo-audio signals are wirelessly transferred between the playing device (source) and the receiving device.
- Due to the different device manufacturers, models, and software versions, a full functionality cannot be guaranteed.

### **Pairing (Linking) A Bluetooth Enabled Cell Phone Or Other Bluetooth Enabled Device To The Speaker**

If the speaker has never been paired with a Bluetooth device before . You need to follow the pairing instructions below to link the speaker with your Bluetooth device .

1. When the speaker turned on, the Operating mode Indicator flashes in blue . The speaker is ready to pair (link) with your Bluetooth device .
2. Activate Bluetooth on the compatible device, and set it to search for compatible devices.
3. Select the speaker name:"1308" from the list of found devices.

**Tips:** Only one playback unit can be connected to the speaker. If the speaker is already connected to another playback unit, the speaker will not appear in the BT selection list.


4. If your device asks for a passkey (depending on the device manufacturers, model, and software version), then enter digits "0000" (four zeros) and press OK.


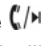
If pairing has been carried out successfully, a voice prompt "Pairing completed" and a beep sound is heard, meanwhile, the Blue color indicator stops flashing.

**If the speaker has ever been paired with a Bluetooth device before. You need to follow the pairing instructions below to link the speaker with your Bluetooth device .**

1. After turning on the speaker, the speaker will search for the last paired device . The operating **mode indicator** will flash in blue. If the unit finds the paired Bluetooth device , a beep sound is heard and **operating mode indicator** will keep in blue and stop flashing .
2. After successfully pairing (linking) , you can begin playing music from your Bluetooth device wirelessly to the speaker .
3. Press the + / - button on the speaker to adjust to the desired volume level .

#### **Using The Speaker as a Handfree Bluetooth Speakerphone**

1. Link your cell phone to the speaker via Bluetooth as described above .
2. When receiving an incoming call on your cell phone , tap  button on the speaker to switch the incoming call from cell phone to the speaker. A short beep sound will be heard confirming the call was answered. Complete your call using the built-in microphone and speaker.

3. Adjust the volume control of your cell phone to obtain the desired sound level.
4. To end the call, just tap the  button again, a short beep sound will be heard and the call will end. If you were playing music from your cell phone to the speaker before answering the call, the music will automatically resume playing when you hang up .
5. To ignore an incoming call, simply press and hold the  button on the speaker for about 2 seconds, a beep sound will be heard and the call will be ignored .

### **USB port**

This device has been developed in line with the latest technical advances in the USB filed. The wide range of different USB storage devices of all types which are currently on the market, unfortunately do not allow us to guarantee full compatibility with all USB storage devices. For this reason, in rare cases there may be problems in playing back files from USB storage devices. This is not a malfunction of the device.

1. Connect a USB storage device directly into the port, the indicator turns to Cyan color to enter into the USB mode.
2. After a few seconds, it will start music playback automatically.

### **NOTE:**

- The USB port is also designed for charging external devices during any mode other than USB mode.

### **OPERATING THE SPEAKER IN AUX-IN MODE**

If you are using an iPod, MP3/MP4 player or other mobile phone which can not connect this unit via bluetooth directly, you can still play it on the speaker via an audio connecting cable.

1. Plug one end of the 3.5mm audio cable (included) into the headphone or line out jack on your player, plug the other end of cable into the unit AUX-IN jack of the speaker.
2. Turn on the external audio source and play your device.
3. Slide the Power ON/OFF switch to ON position to turn on the unit, the operating mode indicator will light up in Green.
4. The volume level can now be controlled through the main unit. Operate all other functions on the external device as usual.

#### **Notes:**

- 1). If you're connected to the Line out Jack of your external device, then you only need to adjust the volume control of this speaker. If you're connected to the Headphone Jack of your external device, then you may need to adjust both the volume control of your external device and the volume control of this unit to find the most desirable volume setting.
- 2) Slide the Power ON/OFF selector to OFF position to turn off the unit when you finish listening.  
Don't forget to switch off the power of your external device as well.
- 3) During AUX mode, if you plug A USB disc into the unit, the play mode will automatically change to TF Card playback mode.

### Troubleshooting Guide

Should you experience difficulties in the use of this player, please refer to the following chart.

Fault	Cause	Solution
No Charging	The USB power adaptor (not included) is not plugged into a wall outlet or the USB cable (included) is not plugged into the mini USB jack on the bottom of the MW-1306	Plug the USB power adaptor (not included) into a wall outlet and plug the USB cable (included) into the mini USB jack on the MW-1306
	Wall outlet is not functioning.	Plug another device into the same outlet to confirm the outlet is working.
	Computer USB port is not function.	Make sure your computer power is turned on and try another USB port.
NO Sound	The MW-1306 battery is dead.	Recharge the MW-1306 battery.
	The MW-1306 is not linked with the cell phone.	Go through "Speaker Operations" process to link the speaker.
	Volume set too low.	Increase the volume of your device.

No audio signal via the Bluetooth connection	Speaker is not paired to the audio source.	Check whether a connection exists. If necessary, pair the speaker again to the audio source.
	Volume too low	Increase the volume on the speaker Increase the volume on the audio source.
Speaker cannot be connected	Pairing does not work	Check whether the audio source supports the A2DP protocol
	Audio source is switched off	Switch on the audio source
	Bluetooth is switched off at the audio source.	Switch on the Bluetooth function in the audio source.
	Bluetooth version is not supported.	Use a different playback unit.
Poor sound quality from a Bluetooth® device	Bluetooth device is almost out of range of the MW-1308	Move your Bluetooth device closer to the MW-1308

### **SPECIFICATIONS**

Battery capacity (included): 1600 mAH

Charging Voltage: DC 5V, 500Ma and up.

Max Play Time: 4 Hours

Working Temperature: -5°C~+ 40°C

Working Humidity: 20%~80%

The right to make technical and design modifications in the course of Continuous product development remains reserved. This device has been tested according to all relevant current CE guidelines, such as electromagnetic compatibility and low voltage directives, and has been constructed in accordance with the latest safety regulations.

**NOTE:**

Changes or Modifications not expressly approved by the party responsible could void the user's authority to operate this device

**NOTE:** This equipment has been tested and found to comply with the limits for a Class B digital device, pursuant to Part 15 of the FCC Rules. These limits are designed to provide reasonable protection against harmful interference in a residential installation. This equipment generates, uses and can radiate radio frequency energy and, if not installed and used in accordance with the instructions, may cause harmful interference to radio communications. However, there is no guarantee that interference will not occur in a particular installation.

If this equipment does cause harmful



interference to radio or television reception, which can be determined by turning the equipment off and on, the user is encouraged to try to correct the interference by one or more of the following measures:

- Reorient or relocate the receiving antenna.
- Increase the separation between the equipment and receiver.
- Connect the equipment into an outlet on a circuit different from that to which the receiver is connected.
- Consult the dealer or an experienced radio/TV technician for help.

#### 15.19 Labelling requirements.

This device complies with part 15 of the FCC Rules.

Operation is subject to the following two conditions:

- (1) This device may not cause harmful interference, and
- (2) this device must accept any interference received, including interference that may cause undesired operation.

**FCC RF warning** statement: the device has been evaluated to meet general RF exposure requirement , The device can be used in portable exposure condition without restriction.