

# *ManiWay*

## **2.1CH Bluetooth Speaker**

***Owner's Manual***



PLEASE READ BEFORE OPERATING THIS EQUIPMENT.

**Model No.: MW-1328**

 **Bluetooth<sup>®</sup>**

## **IMPORTANT SAFETY INSTRUCTIONS**

When used in the directed manner, this unit has been designed and manufactured to ensure your personal safety. However, improper use can result in potential electrical shock or fire hazards. Please read all safety and operating instructions carefully before installation and use, and keep these instructions handy for future reference. Take special note of all warnings listed in these instructions and on the unit.

### **1. Water and Moisture**

The unit should not be used near water. For example: near a bathtub, washbowl, kitchen sink, laundry tub, swimming pool or in a set basement.

### **2. Ventilation**

The unit should be situated so that its location or position does not interfere with its proper ventilation. For example, it should not be situated on a bed, sofa, rug or similar surface that may block the ventilation openings. Also, it should not be placed in a built-in installation, such as a bookcase or cabinet, which may impede the flow of air through the ventilation openings.

### **3. Heat**

The unit should be situated away from heat sources such as radiators, heat registers, stoves or other appliances (including amplifiers) that produce heat.

### **4. Power Source**

The unit should be connected to a power supply only of the type described in the operating instructions or as marked on the appliance.

### **5. Power Cord Protection**

Power supply cords should be routed so that they are not likely to be walked on or pinched by items placed upon or against them. It is always best to have a clear area from where the cord exits the unit to where it is plugged into an AC outlet.

### **6. Cleaning**

Clean only with dry cloth – The appliance should be cleaned only as recommended by the manufacturer.

### **7. Object and Liquid Entry**

Care should be taken so that objects do not fall and liquids are not spilled into any openings or vents located on the product,

## **8. Attachments**

Do not use attachments not recommended by the product manufacturer

## **9. Lightning and Power Surge Protection**

Unplug the unit from the wall outlet. This will prevent damage to the product due to lightning and power-line surges.

## **10. Overloading**

Do not overload wall outlets, extension cords, or integral convenience receptacles as this can result in a risk of fire or electric shock.

## **11. Damage Requiring Service**

This unit should be serviced by qualified service personnel when;

- A. The power supply cord or plug has been damaged.
- B. Objects have fallen into or liquid has been spilled into the enclosure.
- C. The unit has been exposed to rain.
- D. The unit has been dropped or the enclosure damaged,
- E. The unit exhibits a marked change in performance or does not operate normally.

## **12. Periods of Nonuse**

If the unit is to be left unused for an extended period of time, such as a month or longer, the power cord should be unplugged from the unit to prevent damage or corrosion.

## **13. Servicing**

The user should not attempt to service the unit beyond those methods described in the user's operating instructions. Service methods not covered in the operating instructions should be referred to qualified service personnel.

## **14. WARNING :**

- To reduce the risk of fire or electric shock, do not expose this apparatus to rain or moisture. The apparatus shall not be exposed to dripping or splashing and that objects filled with liquids, such as vases, shall not be placed on apparatus.
- where the MAINS plug or an appliance coupler is used as the disconnect device, the disconnect device shall remain readily operable;

- The mains plug of adapter is used as disconnect device, the adapter shall remain readily operable.
- Batteries shall not be exposed to excessive heat such as sunshine, fire or the like.

## **COMPLIANCE WITH FCC REGULATIONS**

This device complies with Part 15 of the FCC Rules. Operation is subject to the following two conditions:

- (1) this device may not cause harmful interference.
- (2) this device must accept any interference received, including interference that may cause undesired operation.

NOTE : This equipment has been tested and found to comply with the limits for a Class B digital device, pursuant to Part 15 of the FCC Rules. These limits are designed to provide reasonable protection against harmful interference in a residential installation. This equipment generates, uses and can radiate radio frequency energy and, if not installed and used in accordance with the instructions, may cause harmful interference to radio communications. However, there is no guarantee that interference will not occur in a particular installation. If this equipment does cause harmful interference to radio or television reception, which can be determined by turning the equipment off and on, the user is encouraged to try to correct the interference by one or more of the following measures:

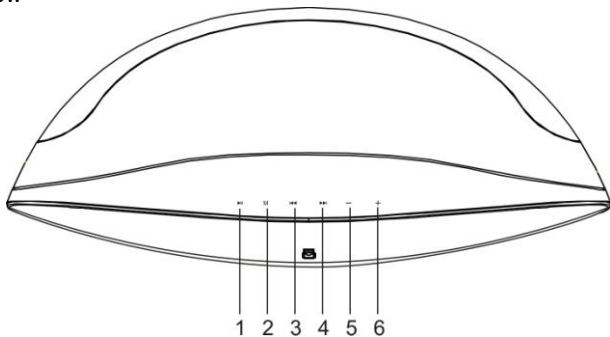
- Reorient or relocate the receiving antenna.
- Increase the separation between the equipment and receiver.
- Connect the equipment into an outlet on a circuit different from that to which the receiver is connected.
- Consult the dealer or an experienced radio/TV technician for help.

**CAUTION: Changes or modifications not expressly approved by the party responsible for compliance could void the user's authority to operate the equipment.**

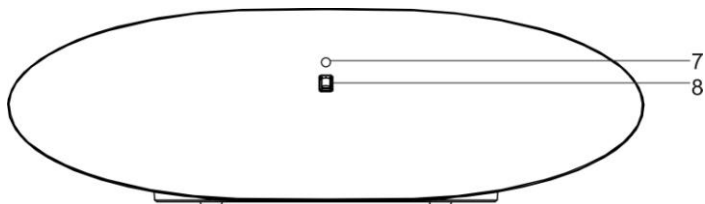
# LOCATION OF CONTROLS

## DOCKING STATION:

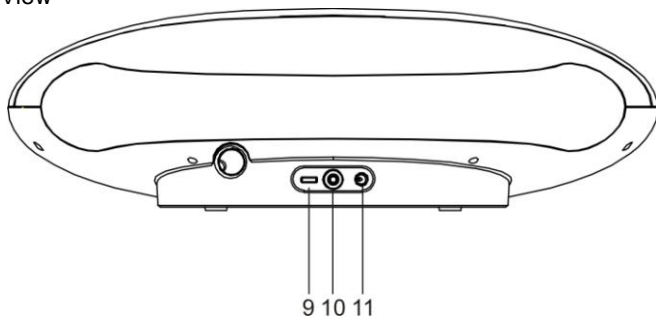
Top View



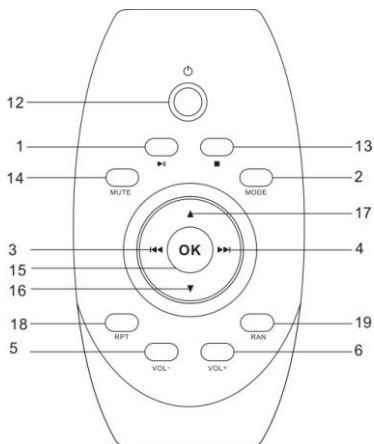
Front View







Back View



## REMOTE CONTROL



1	Play/Pause  button	9	USB slot
2	MODE Button	10	Aux-In Jack
3	 ·Press this button once to return to the previous track.	11	DC 12V Jack
4	 ·Press this button once to advance to the next track .	12	Power On/Standby Button
5	- Button Press and hold this button to adjust volume level down.	13	 Stop Button
6	+ Button Press and hold this button to adjust volume level up.	14	Mute button
7	Power on Indicator	15	OK/Enter button
8	Remote Sensor	16	Down button
		17	UP Button
		18	RPT(repeat) button
		19	Ran(random play) Button

## POWER SOURCES

### Power of Main unit

The main base is operated by an external AC-DC Power Adaptor with an output of 12V DC / 3000mA (included).

1. Insert the adaptor's DC output plug into the DC-IN jack on the back of the Main base
2. Plug the adaptor into a convenient AC wall outlet.

### Power of Remote Control

To use the remote control, please ensure the remote control battery CR2032 (included) is installed properly and take the insulation clarity paper out.(Once you stop to use the remote control, please Insert in it same as before). Replace the remote control battery when it stops working. It is highly recommended to use a good quality button cell.

### BATTERY NOTE AND CARE

- Danger of explosion if the battery is replaced incorrectly. Replace only with the same type battery.
- Only use a good quality known brand battery to ensure the longest life and best performance.
- If the remote is not to be used for an extended period of time, remove the battery. An old or leaking battery can cause damage to the remote and may void the warranty.
- Do not dispose of batteries in fire. Batteries may leak or explode.
- Do not try to recharge batteries that are not intended to be recharged; they can overheat, rupture and leak (Follow battery manufacturer's directions).

## ACCESSORIES

- 1 x AC adaptor
- 1 x Remote Control (include button cell CR2032)
- 1 x User manual
- 1 x Line-in cable

## GETTING STARTED

**WARNING:** Do not apply power to the unit until all of your connections are made.

1. Insert the DC plug of the AC-DC power adaptor into the DC 12V jack on the back of the main unit.
2. Connect the AC-DC adaptor with the power cord (included), plug the power plug into a convenient AC wall outlet.
3. Press the POWER ON/OFF button to turn on/off the unit.
4. Remove the main plug of the adaptor out of the wall outlet if you want to switch off the main voltage completely.

## **SPECIAL TIPS**

### **How to change the play mode**

Press the MODE Button during power on, the play mode will be changed from Bluetooth playback mode USB Playback mode to AUX-IN mode, meanwhile, the Power on indicator light will flash in different colors.

**Blue color for Bluetooth mode**

**Purple color for USB mode**

**Cyan color for Aux-in mode**

**Red color for Standby mode**

### **Playback via Bluetooth**

Bluetooth involves a technology for wireless radio connection of devices over a short distance. Devices with Bluetooth standard are transmitting between 2.402 and 2.480 GHz in the ISM band (Industrial, Scientific and Medical). Interference can be caused for example by WLAN-networks, DAB radios, cordless phones, or microwave ovens which work on the same frequency band.

This device offers you the possibility to use a Bluetooth enabled device. The functional radius is limited to approx.10 metres depending on the surroundings and the unit used.

If your playing device supports the A2DP profile (Advanced Audio Distribution Profile) and has a music-player function, then you can also wirelessly transfer music to the device. The A2DP profile involves a multi-vendor Bluetooth profile. By streaming, stereo-audio signals are



wirelessly transferred between the playing device (source) and the receiving device.

Due to the different device manufacturers, models, and software versions, a full functionality cannot be guaranteed.

### **Logging on devices (Pairing)**

Before you listen to music via the unit, you must pair the devices.

1. Ensure, that the Bluetooth function is activated in your player (e.g. mobile phone). For this, refer to the operation manual of your player.
2. Press the MODE button repeatedly, until the power indicator changed to blue to enter the Bluetooth mode. The blue color indicator flashes to show that the unit is in pairing mode.
3. Chose the Bluetooth menu in your player and register the device in your player. For this, refer to the operation manual of your player. The device “MW-1329” will show in your player as a selection.

### **NOTE:**

Only one playback unit can be connected to the speaker. If the speaker is already connected to another playback unit, the speaker will not appear in the BT selection menu.

4. If your device asks for a passkey (depending on the device manufacturers, model, and software version), then enter digits “0000” (four zeros) and press OK.

If pairing has been carried out successfully, the Blue colour indicator stops flashing.

For the further procedure, please refer to the user manual of the playback unit. If possible, adjust the volume of the external unit to a comfortable level.

### **NOTE:**

- Depending on the device manufacturer, you need to perform the registration (PAIRING) again to connect the devices
- The Bluetooth compatibility cannot be ensured for devices (e.g. mobile phones) getting released in the future.

- To ensure an optimal connection, make sure that the battery of your player is completely charged.
- Some of the mobile phone brands have an energy-saving mode. Deactivate the energy-saving mode as it can otherwise result in problems during the data transfer through Bluetooth.
- To be able to transfer audio data, Bluetooth needs to stay activated in your player. Observe the operation manual of your player.
- If a mobile phone on which you are playing music receives a call, the music will be interrupted. The sound however is not played back via the speaker. After you have ended the call, the devices are connected to each other again and playback continues. The volume increases slowly.

## **USB Operation**

This device has been developed in line with the latest technical advances in the USB field. The wide range of different USB storage devices of all types which are currently on the market, unfortunately do not allow us to guarantee full compatibility with all USB storage devices. For this reason, in rare cases there may be problems in playing back files from USB storage devices. This is not a malfunction of the device.

1. Press MODE Button until the power on indicator color change to purple to enter the USB mode.
2. Connect a USB storage device directly into the port, after a few seconds, it will start music playback automatically. For operation, please refer to the section “ Description of the USB controls”.
3. To remove your USB device, simply stop the playback and gently unplug it from the connector.

### **NOTE:**

- Always directly connect a USB storage medium to the USB port to prevent any malfunctions.

The USB port is also designed for charging external devices during any mode other than USB mode.

## Description of the USB controls

▶|| : You can pause and continue music playback. Press again to continue playback.

◀◀ : Press 1x = Skip to the beginning of current song.  
Press 2x = Skip to the previous song.

▶▶: Press to skip to the next song and the following songs.

**REPEAT:** Activates the Repeat function.

. All titles are constantly repeated by default

. Press the Repeat button to repeat only the current title, the purple colour indicator flashes.

**RAN:** Activates the Random play function.

▲/▼: to select the previous/next folder during playback.

OK Button: Confirm to start playback of the selected folder

## Using the Aux-in Jack

1. Press and hold the Play/Pause on the main unit or press the Power on button on remote control to turn on the unit.
2. Press MODE Button until the power on indicator changed to flashing gree to enter the AUX-IN mode.
3. Connect an audio cable to the headphone or line-out jack of an audio device and plug the other end into the Aux -in jack located on back of the main unit.
4. Turn audio device on and play this device.
5. Press "Vol +" / "Vol -" button on remote control or press and hold the "+" / "-" button on the main unit or to raise/lower the volume level, When finished, press and hold the Play/Pause on the main unit or press the Power on button on remote control to turn off the main unit. Remember to turn off the speakers and your audio device, too.

## TROUBLESHOOTING GUIDE

Should you experience difficulties in the use of this player, please refer to the following chart.

Fault	Cause	Solution
Unit cannot be operated.	Unit crashes and “hangs”	Disconnect from the mains for around 5 seconds. Then switch the unit on again.
No audio signal via the Bluetooth connection	Speaker is not paired to the audio source.	Check whether a connection exists. If necessary, pair the speaker again to the audio source.
	Volume too low	Increase the volume on the speaker
Increase the volume on the the audio source.		
Speaker cannot be connected	Pairing does not work	Check whether the audio source supports the A2DP protocol
	Audio source is switched off	Switch on the audio source
	Bluetooth is switched off at the audio source.	Switch on the Bluetooth function in the audio source.
	Bluetooth version is not supported.	Use a different playback unit.
Poor sound quality from a Bluetooth® device	Bluetooth device is almost out of range of the MW-1329	Move your Bluetooth device closer to the MW-1329
Remote control is not functioning properly.	Low battery.	Replace the battery with correct type CR2032
	Remote Control is not pointed to ward the IR window	Point the Remote Control to ward the unit IR window, use with in 10 feet of the unit.

## **SPECIFICATIONS**

### **Power Supply**

Power adaptor (included):	Input AC 100-240V ~ 50/60Hz Output DC 12V 3A
Power Consumption:	35W
Output Power(rms):	4.5WX2+15W(Subwoofer)
Power of remote control:	1 xDC 3V CR2032 button cell (included)
Temperature rage for use:	0-40°C

### **Bluetooth**

Bluetooth support :	V2.1+EDR
Range :	approx. 10 metres
Transmission frequency :	2.4GHz
Protocols :	A2DP 1.2