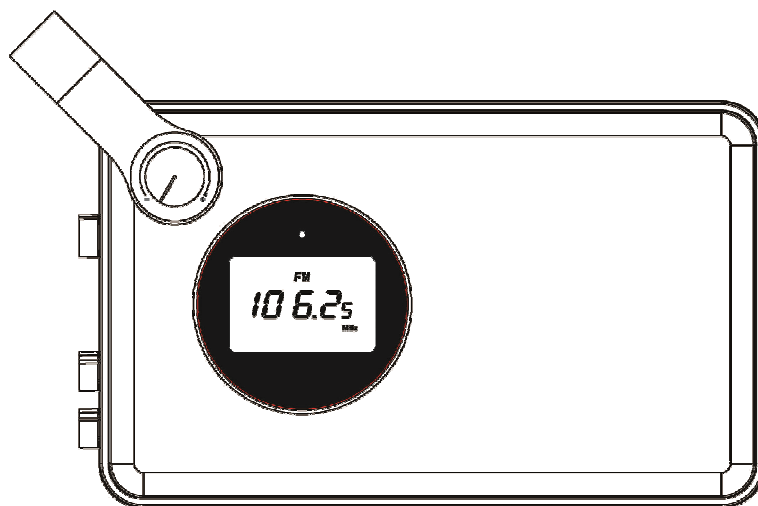


BRAND

Radio



MODEL NO: MW-1473

IMPORTANT SAFETY INSTRUCTIONS

When used in the directed manner, this unit has been designed and manufactured to ensure your personal safety.

However, improper use can result in potential electrical shock or fire hazards. Please read all safety and operating instructions carefully before installation and use, and keep these instructions handy for future reference. Take special note of all warnings listed in these instructions and on the unit.

Water and Moisture

The unit should not be used near water. For example: near a bathtub, washbowl, kitchen sink, laundry tub, swimming pool or in a set basement.

Ventilation

The unit should be situated so that its location or position does not interfere with its proper ventilation. For example, it should not be situated on a bed, sofa, rug or similar surface that may block the ventilation openings. Also, it should not be placed in a built-in installation, such as a bookcase or cabinet, which may impede the flow of air through the ventilation openings.

Heat

The unit should be situated away from heat sources such as radiators, heat registers, stoves or other appliances (including amplifiers) that produce heat.

Power Source

The unit should be connected to a power supply only of the type described in the operating instructions or as marked on the appliance.

Cleaning

The unit should be cleaned only as recommended.

Object and Liquid Entry Care should be taken so that objects do not fall and liquids are not spilled into any openings or vents located on the product.

Lightning and Power Surge Protection

Unplug the unit from the wall outlet. This will prevent damage to the product due to lightning and power-line surges.

Overloading

Do not overload wall outlets, extension cords, or integral convenience receptacles as this can result in a risk of fire or electric shock.

Damage Requiring Service

This unit should be serviced by qualified service personnel when:

Objects have fallen into or liquid has been spilled into the enclosure.

The unit has been exposed to rain.

The unit has been dropped or the enclosure damaged.

The unit exhibits a marked change in performance or does not operate normally.

Periods of Nonuse

If the unit is to be left unused for an intended period of time, such as a week or longer, the power adaptor should be unplugged from the unit to prevent damage or corrosion.

Servicing

The user should not attempt to service the unit beyond those methods described in the user's operating instructions.

Service methods not covered in the operating instructions should be referred to qualified service personnel.

WARNING:

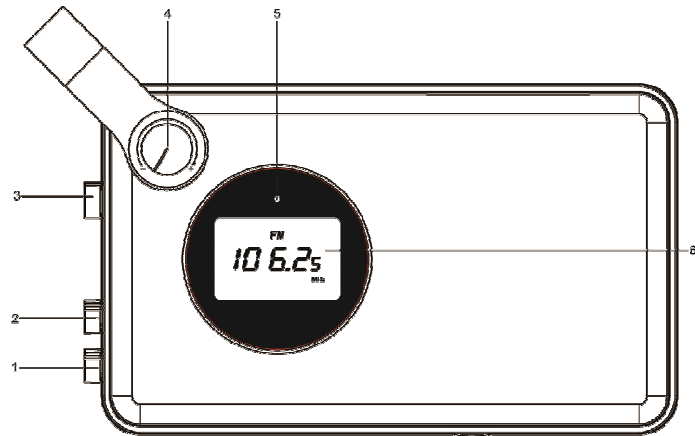
1) The mains plug of adapter is used as disconnect device, the adapter shall remain readily operable.

2) Batteries shall not be exposed to excessive heat such as sunshine, fire or the like.

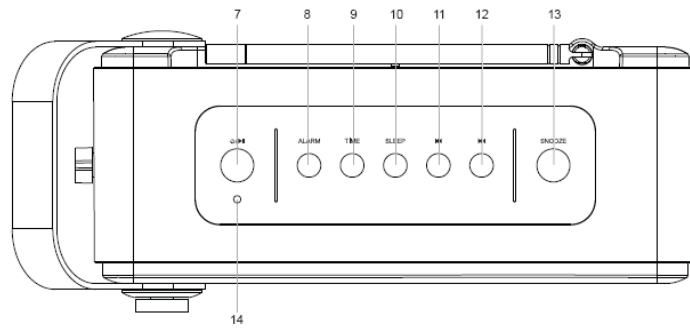
3) To reduce the risk of fire or electric shock, do not expose this apparatus to rain or moisture. The apparatus shall not be exposed to dripping or splashing and that objects filled with liquids, such as vases, shall not be placed on apparatus.

LOCATIONS OF CONTROLS

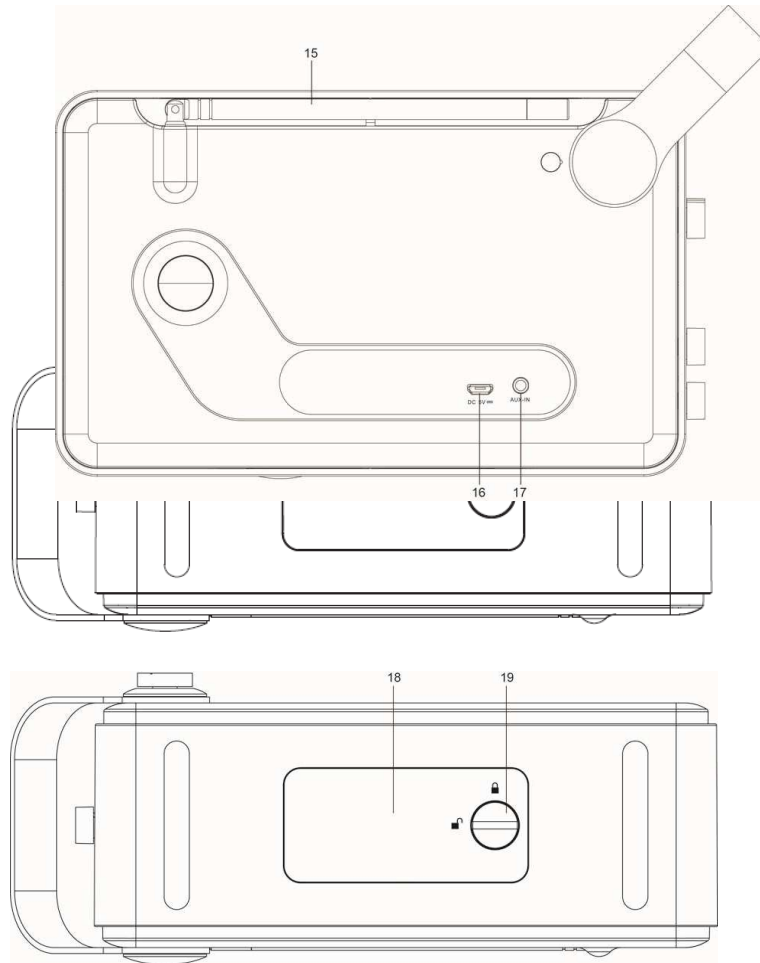
FRONT VIEW

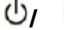


TOP VIEW



BACK VIEW



- 1. ALARM 1 ON/OFF Switch**
- 2. ALARM 2 ON/OFF Switch**
- 3. FUNCTION Switch: FM, AUX, BT**
- 4. VOLUME Knob**
- 5. Power On/ Battery charging indicator**
- 6. LCD Display**
- 7.  Button**

- Press and hold this button to toggle between “Power On” and “Standby” mode.

- In Radio mode: to select the preset stations in sequence

- In BT mode: to play/ pause current playback

8. ALARM Button

- In off mode: Press to set the alarm.

9. TIME Button

- In off mode: Press to set the clock time

10. SLEEP Button

- In Playback mode: to select the time duration of the sleep timer from “90/80/70/60/50/40/30/20/10/00”minutes

11.  Button

- In BT mode: to return to the beginning of current track or previous track

- In Radio mode:

. Press once to search backward radio station with strong signal and stop on the first station signal it finds automatically.

. Press and hold this button to auto search from high-end frequency toward low-end frequency and automatically save up all the stations with strong signals in sequence

12.  Button.

- In BT mode: to return to the beginning of current track or next track

- In Radio mode:



. Press once to search forward radio station with strong signal and stop on the first station signal it finds automatically.

. Press and hold this button to auto search from low-end frequency toward high-end frequency and automatically save up all the stations with strong signals in sequence.

13. SNOOZE Button

- To activate the snooze function when the alarm is activated
- To select LCD backlight Bright/DIM Level 1/DIM Level 2/OFF.

14. Built-in Microphone**15. FM Telescopic Antenna****16. DC 5V Jack****17. 3.5mm AUX-IN Jack****18. Battery Cover****19. Battery locking screw**

-  = Unlocked
-  = Locked

BATTERY INSTALLATION

- 1.) Use a coin to rotate the battery locking screw 90 degrees to unlock the battery cover.
- 2.) Remove the battery cover with your fingers.
- 3.) Follow the polarity to install the accompanied 3.7V lithium ion battery
- 4.) Replace the battery compartment door and rotate the locking screw to lock the battery cover.

WARNING:

- Be sure that the battery is installed correctly.
- Only batteries of the same or equivalent type as recommend are to be used.
- If the unit is not to be used for an extended period of time, remove the battery to prevent damage or injury from possible battery leakage.
- Do not dispose of the battery in fire, the battery may explode or leak.

POWER SUPPLY

- Connect the supplied AC-DC adapter to the DC 5V Jack on the back of the device through the attached USB cable, and insert the grid plug into a properly installed AC socket.

Caution

- Only use the supplied power adaptor for this device.
Do not use for other devices.
- Only use the original AC adapter. This adapter has been specially designed for the accompanied battery in order to gradually charge the battery. Any other adapter may shorten the battery life or can damage it or the device.

Note:

Disconnect from mains power supply during longer periods of non-use.



Charging the battery

The installed battery can be charged by using the accompanied AC-DC adapter that you plug into the wall socket and the other end into the DC 5V jack, the Power On/Charging indicator will light up in Yellow, once it is fully charged, the light turns to Green.

Note:

The duration of the charging process depends on the state of charge of the battery.

GENERAL OPERATION





- Press and hold the  button to power on.
- Rotate the Function Selector to select different operating mode: FM, AUX or BT.
- Standby/Operating mode: You may then toggle between standby and operating mode by pressing and holding the  button.

Note:

ECO design: the unit turns to Standby mode automatically if it is not providing the main functions or inappropriate for the intended use for 60 minutes during any operating mode (except for FM mode).

LISTEN TO FM RADIO**Tuning and Playing the Radio**


1. Fully extend the telescopic antenna.
2. Rotate the FUNCTION Selector to FM position to enter FM mode.

3. Short press  /  button to search forward or backward radio station and stop automatically.
4. Press and hold  /  button for searching radio frequency backward or forward and store the station automatically.

Notes:

- The unit can store up 50 FM stations automatically for easy recall at any time.

Recalling Stored Preset Stations

- Press  button on the unit, the memory channel number "01" will flash, press again to select the channel number you desire station.

BLUETOOTH OPERATION


Bluetooth involves a technology for wireless radio connection of devices over a short distance. Devices with Bluetooth standard are transmitting between 2.402 and 2.480 GHz in the ISM band (Industrial, Scientific and Medical). Interference can be caused for example by WLAN-networks, DAB radios, cordless phones, or microwave ovens which work on the same frequency band.

This device offers you the possibility to use a Bluetooth enabled device. The functional radius is limited to approx.10 metres depending on the surroundings and the unit used.

Due to the different device manufacturers, models, and software versions, a full functionality cannot be guaranteed.

Logging on devices (Pairing)

Before using your speaker with a compatible device, such as a mobile phone, for the first time, you must pair and connect it to the device.

1. Ensure that the Bluetooth function is activated in your player (e.g. mobile phone). For this, refer to the operation manual of your player.
2. Rotate the FUNCTION Selector to  position to enter Bluetooth mode. "bLUE" is shown & flashed on the display. It shows that this unit is available to pair with other devices.

Pair the Speaker

1. If you haven't paired this unit with a device, or the paired devices list is empty, pairing mode is activated.
2. Activate Bluetooth on the compatible device, and set it to search for compatible devices.
3. Select the speaker name: "**MW-1473**" from the list of found devices.

Tips: Only one playback unit can be connected to the speaker. If the speaker is already connected to another playback unit, the speaker will not appear in the BT selection list.

4. If your device asks for a passkey (depending on the device manufacturers, model, and software version), then enter digits "0000" (four zeros) and press OK.




If pairing has been carried out successfully, "**BLUE**" will stop flashing.

4. After connected completely, you can listen to music wirelessly through Bluetooth and select music in Bluetooth device.
5. Short press **▶||** button to pause or resume playback.
6. Press **▶▶** button to skip to next track, or press **◀◀** button to the beginning of current track or previous track.

NOTES:

- Depending on the device manufacturer, you need to perform the registration (PAIRING) again to connect the devices
- The Bluetooth compatibility cannot be ensured for devices (e.g. mobile phones) getting released in the future.
- Some of the mobile phone brands have an energy-saving mode. Deactivate the energy-saving mode as it can otherwise result in problems during the data transfer through Bluetooth.
- To be able to transfer audio data, Bluetooth needs to stay activated in your player, Observe the operation manual of your player.
- If a mobile phone on which you are playing music receives a call, the music will be interrupted. The sound however is not played back via the speaker. After you have ended the call, the devices are connected to each other again and playback continues.

Using the unit as a Handsfree Bluetooth Speakerphone


1. Link your cell phone to the radio via Bluetooth as described above.
2. When receiving an incoming call on your cell phone, short tap the  button on the unit to switch the incoming call from cell phone to the speaker. Complete your call using the built-in microphone and speaker.
3. Adjust the volume control of your cell phone to obtain the desired sound level.
4. To end the call, just tap the  button again, the call will end. If you were playing music from your cell phone to the speaker before answering the call, the music will automatically resume playing when you hang up.
5. To ignore an incoming call, simply tap the  button twice continuously, a beep sound will be heard and the call will be ignored.

AUX-IN (LINE IN) OPERATION

Aux In mode plays audio from an external source such as an MP3 player.

1. Plug one end of the 3.5mm audio cable (included) into the headphone or line out jack on your player, plug the other end of cable into the unit AUX-IN jack on the back of the unit.
2. Turn on the external audio source and play your device.
3. Rotate the FUNCTION Selector to AUX position to enter AUX-IN mode.
4. The volume level can now be controlled through the main unit. Operate all other functions on the external device as usual.

Notes:

- 1). If you're connected to the Line out Jack of your external device, then you only need to adjust the volume control of this unit. If you're connected to the Headphone Jack of your external device, then you may need to adjust both the volume control of your external device and the volume control of this unit to find the most desirable volume setting.
- 2). Press and hold the  button to power off when you finish listening. Don't forget to switch off the power of your external device as well.

SETTING AND USING THE ALARMS

Clock Setup

Setting the Time Manually

1. Press and hold the "TIME" button during power off mode to access time setup, the hour digit will flash.
2. Press ►►| or |◀◀ button to adjust the hour, then press TIME button to confirm the hour. The hour digit will stop flashing and the minute digit will start to flash.
3. Press ►►| or |◀◀ button again to adjust the minute, then press TIME button to confirm the minute. The minute digit will stop flashing and the day of the week icon will start to flash.
4. Press ►►| or |◀◀ button again to adjust the day of the week, then press TIME button to confirm.

Alarm 1 and Alarm 2 Setup

1. Press Alarm Button until "Alarm1" icon flashes, then press ►►| or |◀◀ button to select wake to sound source circularly (the Alarm1 icon will stop flashing, and the relevant alert icon will flash): Radio, Buzzer with Alarm1 appeared.
2. Press ►►| or |◀◀ Button to adjust the hour, press ALARM to confirm the hour. The hour digit stop flashing and the minute digit start to flash.
4. Press ►►| or |◀◀ button again to adjust the minute, then press ALARM button to confirm the minute and the day of the week icons start to flash.
5. Press ►►| or |◀◀ button again to set the Alarm frequency (7 days, weekdays, weekend) , then press ALARM button to confirm the Alarm 1 setting and enter into Alarm 2 setting mode (the Alarm 2 icon flashes)

To set Alarm2 follow above steps

NAP (one time alarm) Setup

1. During power off mode, press the "ALARM" button three times continuously until the display show flashing "NAP" to access NAP setting mode.
2. Press ►►| or |◀◀ button to select wake to mode circularly (alert icon:

from radio, Buzzer appeared.

3. Press the Alarm Button until alarm hour digit flashes on the display. Press ►►| or |◄◄ Button to adjust the hour, press ALARM to confirm the hour. The hour digit stops flashing and the minute digit starts to flash.

4. Press ►►| or |◄◄ button again to adjust the minute, then press ALARM button to confirm the minute.

The Nap alarm will be active only for once, In Nap Alarm mode, it can't select the week in Nap alarm.

Note:

. If the alarm is activated in Radio, it the alarm will turn on and broadcast the last channel before turning off the unit and continue playing for 1 hour.

. If the alarm sounds in Buzzer, the buzzer sound will be getting louder and louder gradually and continue for 10 Minutes

Arming and Disarming Alarm (Turn Alarm Function On and Off)

To arm or disarm the alarm, just slide the AL1 ON/OFF or AL2 ON/OFF switch to the ON or OFF position to set the Alarm 1 or Alarm 2 on or off respectively.

If the alarm is armed, the relevant alarm icon will appear on the display.

If the alarm is disarmed, the relevant alarm icon will disappear from the display.

Resetting the Alarm to Come on the Next Day

When the alarm is activated (waking you), switch the AL1 or AL2 to OFF position to stop alarm and reset it to come on the following day at the same time.

Sleep Timer Setup

- While listening to Radio/ AUX, press and hold "SLEEP" button until "sleep" icon start to flash, press Sleep button to adjust the sleep timer from "90/80/70/60/50/40/30/20/10/00"minutes. After adjusted the sleep timer, just wait the "sleep" icon stop flash to confirm setting.

-when the sleep timer is active, press and hold sleep button to show the current sleep time, press again to adjust it again to modify the setting.

Note: Press the sleep button until "00" is flashing to cancel the sleep mode, the sleep icon "SLEEP" disappears simultaneously.

SNOOZE Operation

-Press to select LCD backlight Bright/DIM LEVEN1/DIM LEVEL2/ OFF

-When the alarm is activated (waking you), pressing the SNOOZE button will stop the alarm one time. The Alarm icon will flash simultaneously on the display and enter into Snooze status. The alarm will sound again after 9 minutes (default nap time)

TROUBLESHOOTING

Problem	Cause	Solutions
No sound	Volume is too low	Increase the volume
Poor sound quality in Radio mode	Radio signal too weak	Try to adjust the antenna position
FM: Hiss	Low signal strength	Check/move antenna Move radio Rescan local
No audio signal via the Bluetooth connection	No audio signal via the Bluetooth connection	Check whether a connection exists. If necessary, pair the speaker again to the audio source.
	Volume too low	Increase the volume on the speaker Increase the volume on the audio source.

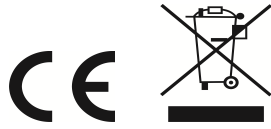
Bluetooth can not be connected	Pairing does not work	Check whether the audio source supports the A2DP protocol.
	Audio source is switched off	Switch on the audio source
	Bluetooth is switched off at the audio source.	Switch on the Bluetooth function in the audio source.
	Bluetooth version is not supported.	Use a different playback unit.
Poor sound quality from a Bluetooth® device	Bluetooth device is almost out of range of the MW-1473	Move your Bluetooth device closer to the MW-1473

SPECIFICATIONS

Power adaptor (included)	Input AC 100-240V ~ 50/60Hz
	Output DC 5V --- 1.5A
Battery capacity (included)	1,050 mAh
Max Play Time(with battery)	3.5 Hours
Power Consumption	8 W
Standby Power Consumption	<1W
FM Frequency	87.5-108 MHz
Bluetooth support	V3.0+ EDR
Bluetooth operation range	upto 10 metres
Transmission frequency	2.4 GHz
Protocols	A2DP
Working Temperature	-5°C~ +40°C
Working Humidity	20%~80%

The right to make technical and design modifications in the course of continuous product development remains reserved.

This device has been tested according to all relevant current CE guidelines, such as electromagnetic compatibility and low voltage directives, and has been constructed in accordance with the latest safety regulations.



FCC Statement:

This device complies with part 15 of the FCC Rules. Operation is subject to the following two conditions: (1) This device may not cause harmful interference, and (2) this device must accept any interference received, including interference that may cause undesired operation.

This equipment has been tested and found to comply with the limits for a Class B digital device, pursuant to part 15 of the FCC Rules. These limits are designed to provide reasonable protection against harmful interference in a residential installation. This equipment generates, uses and can radiate radio frequency energy and, if not installed and used in accordance with the instructions, may cause harmful interference to radio communications. However, there is no guarantee that interference will not occur in a particular installation. If this equipment does cause harmful interference to radio or television reception, which can be determined by turning the equipment off and on, the user is encouraged to try to correct the interference by one or more of the following measures:

- Reorient or relocate the receiving antenna.
- Increase the separation between the equipment and receiver.

—Connect the equipment into an outlet on a circuit different from that to which the receiver is connected.

—Consult the dealer or an experienced radio/TV technician for help.

Caution: Any changes or modifications not expressly approved by the party responsible for compliance could void the user's authority to operate the equipment.