

2003 RSX Online Reference Owner's Manual

Use these links (and links throughout this manual) to navigate through this reference.
For a printed owner's manual, click on authorized manuals or go to www.helminc.com.

Contents

Owner's Identification Form

Introduction	i
A Few Words About Safety	ii
Your Car at a Glance	2
Driver and Passenger Safety	5
Proper use and care of your car's seat belts, and Supplemental Restraint System.	
Instruments and Controls	57
Instrument panel indicator and gauge, and how to use dashboard and steering column controls.	
Comfort and Convenience Features	101
How to operate the climate control system, the audio system, and other convenience features.	
Before Driving	153
What gasoline to use, how to break-in your new car, and how to load luggage and other cargo.	
Driving	167
The proper way to start the engine, shift the transmission, and park, plus towing a trailer.	
Maintenance	193
The Maintenance Schedule shows you when you need to take your car to the dealer.	
Appearance Care	253
Tips on cleaning and protecting your car. Things to look for if your car ever needs body repairs.	
Taking Care of the Unexpected	261
This section covers several problems motorists sometimes experience, and how to handle them.	
Technical Information	287
ID numbers, dimensions, capacities, and technical information.	
Warranty and Customer Relations (U.S. and Canada)	301
A summary of the warranties covering your new Acura, and how to contact us.	
Authorized Manuals (U.S. only)	306
How to order manuals and other technical literature.	
Index	I

Service Information Summary

A summary of information you need when you pull up to the fuel pump.



Owner's Identification

OWNER _____

ADDRESS _____
STREET

_____ CITY

STATE/PROVINCE

ZIP CODE/
POSTAL CODE

V. I. N. _____

DELIVERY DATE _____
(Date sold to original retail purchaser)

DEALER NAME _____ DEALER NO. _____

ADDRESS _____
STREET

_____ CITY

STATE/PROVINCE

ZIP CODE/
POSTAL CODE

OWNER'S SIGNATURE _____

DEALER'S SIGNATURE _____

This Owner's Manual should be considered a permanent part of the vehicle, and should remain with the vehicle when it is sold.

This Owner's Manual covers all models of the Acura RSX. You may find descriptions of equipment and features that are not on your particular model.

The information and specifications included in this publication were in effect at the time of approval for printing. Honda Motor Co., Ltd. reserves the right, however, to discontinue or change specifications or design at any time without notice and without incurring any obligation whatsoever.

**POUR CLIENTS CANADIEN
AVIS IMPORTANT: Si vous avez
besoin d'un Manuel du Conducteur
en français, veuillez demander à
votre concessionnaire de
commander le numéro de pièce
33S6MC10**

Congratulations! Your selection of a 2003 Acura RSX was a wise investment. It will give you years of driving pleasure.

One of the best ways to enhance the enjoyment of your new Acura is to read this manual. In it, you will learn how to operate its driving controls and convenience items. Afterwards, keep this owner's manual in your car so you can refer to it at any time.

Several warranties protect your new Acura. Read the warranty booklet thoroughly so you understand the coverages and are aware of your rights and responsibilities.

Maintaining your car according to the schedules given in this manual helps to keep your driving trouble-free while it preserves your investment. When your car needs maintenance, keep in mind that your Acura dealer's staff is specially trained in servicing the many systems unique to your Acura. Your Acura dealer is dedicated to your satisfaction and will be pleased to answer any questions and concerns.

California Proposition 65 Warning

WARNING: This product contains or emits chemicals known to the State of California to cause cancer and birth defects or other reproductive harm.

As you read this manual, you will find information that is preceded by a **NOTICE** symbol. This information is intended to help you avoid damage to your Acura, other property, or the environment.


A Few Words About Safety

Your safety, and the safety of others, is very important. And operating this car safely is an important responsibility.

To help you make informed decisions about safety, we have provided operating procedures and other information on labels and in this manual. This information alerts you to potential hazards that could hurt you or others.

Of course, it is not practical or possible to warn you about all the hazards associated with operating or maintaining your car. You must use your own good judgement.

You will find this important safety information in a variety of forms, including:

- **Safety Labels** – on the car.
- **Safety Messages** – preceded by a safety alert symbol  and one of three signal words: **DANGER**, **WARNING**, or **CAUTION**. These signal words mean:

 **DANGER**

You **WILL** be **KILLED** or **SERIOUSLY HURT** if you don't follow instructions.

 **WARNING**

You **CAN** be **KILLED** or **SERIOUSLY HURT** if you don't follow instructions.

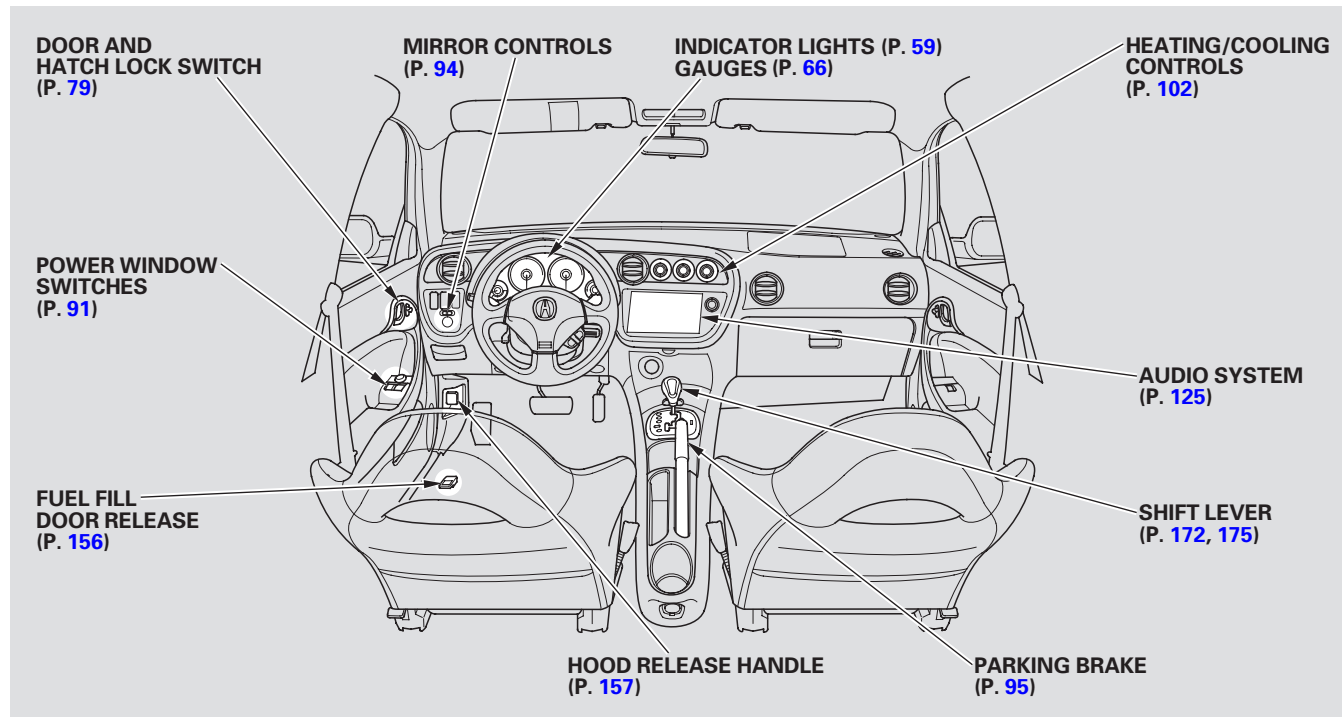
 **CAUTION**

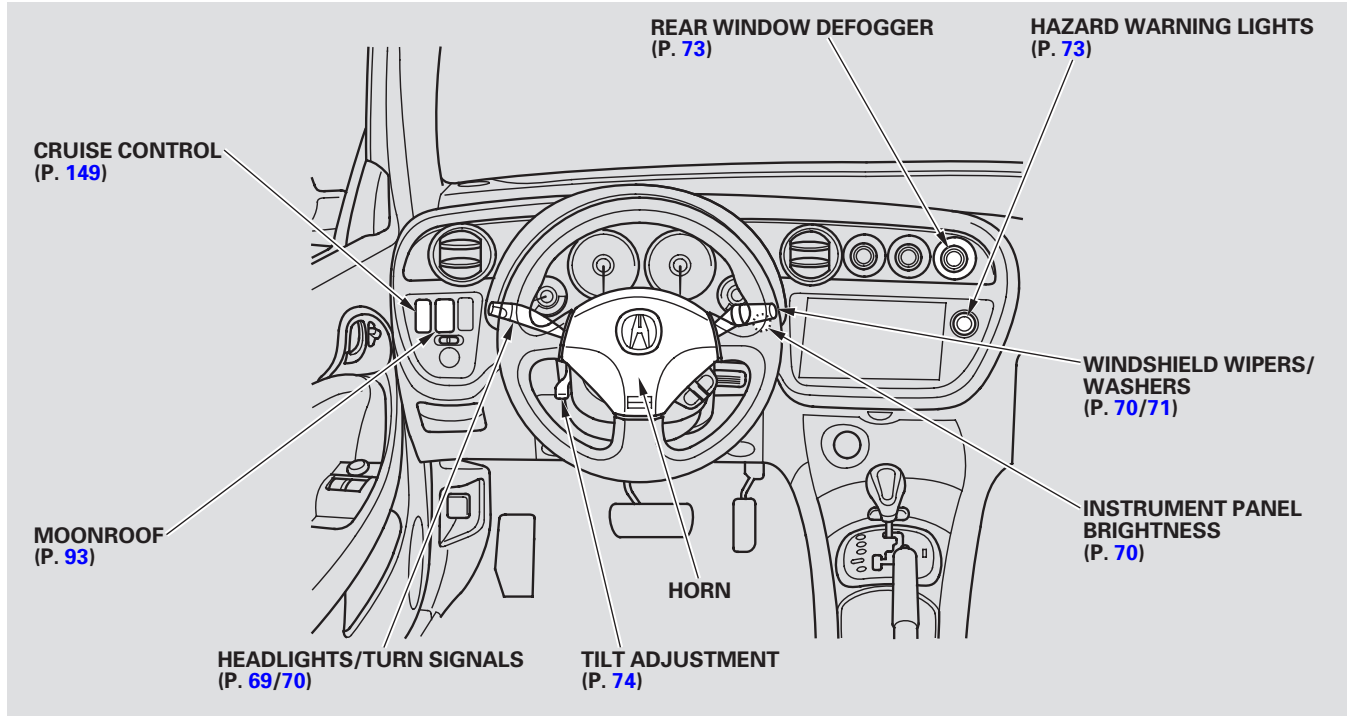
You **CAN** be **HURT** if you don't follow instructions.

- **Safety Headings** – such as Important Safety Reminders or Important Safety Precautions.
- **Safety Section** – such as Driver and Passenger Safety.
- **Instructions** – how to use this car correctly and safely.

This entire book is filled with important safety information – please read it carefully.

Your Car at a Glance





This section gives you important information about how to protect yourself and your passengers. It shows you how to use seat belts properly. It explains your Supplemental Restraint System. And it tells you how to properly restrain infants and children in your car.

Important Safety Precautions	6	2. Adjust the Front Seats	13	Protecting Larger Children	37
Your Car's Safety Features	7	3. Adjust the Seat-Backs	14	Using Child Seats with	
Seat Belts	8	4. Fasten and Position the Seat		Tethers.....	41
Airbags	10	Belts	16	Using LATCH	42
Seats & Seat-Backs.....	11	5. Adjust the Steering Wheel	17	Additional Information About Your	
Head Restraints	11	6. Maintain a Proper Sitting		Seat Belts	44
Door Locks	11	Position	18	Seat Belt System Components...	44
Pre-Drive Safety Checklist	12	Advice for Pregnant Women.....	19	Lap/Shoulder Belt	44
Protecting Adults.....	13	Additional Safety Precautions....	19	Automatic Seat Belt	
1. Close and Lock the Doors	13	Protecting Children	21	Tensioners.....	45
		All Children Must Be		Seat Belt Maintenance	46
		Restrained	21	Additional Information About	
		Children Should Sit in the Back		Your Airbags	48
		Seat	22	SRS Components	48
		The Passenger's Front Airbag		How Your Front Airbags	
		Poses Serious Risks to		Work.....	48
		Children	22	How Your Side Airbags Work....	50
		If You Must Drive with Several		How the SRS Indicator Light	
		Children	24	Works.....	51
		If a Child Requires Close		How the Side Airbag Cutoff	
		Attention	24	Indicator Light Works	52
		Additional Safety Precautions....	25	Airbag Service	53
		General Guidelines for Using		Additional Safety Precautions....	53
		Child Seats.....	26	Carbon Monoxide Hazard	54
		Protecting Infants	30	Safety Labels	55
		Protecting Small Children	34		

Important Safety Precautions

You'll find many safety recommendations throughout this section, and throughout this manual. The recommendations on this page are the ones we consider to be the most important.

Always Wear Your Seat Belt

A seat belt is your best protection in all types of collisions. Airbags supplement seat belts, but airbags are designed to inflate only in a moderate to severe frontal collision. So even though your car is equipped with airbags, make sure you and your passengers always wear your seat belts, and wear them properly. (See page [16](#).)

Restrain All Children

Children are safest when they are properly restrained in the back seat, not the front seat. A child who is too small for a seat belt must be properly restrained in a child safety seat. (See page [21](#).)

Be Aware of Airbag Hazards

While airbags can save lives, they can cause serious or fatal injuries to occupants who sit too close to them, or are not properly restrained. Infants, young children, and short adults are at the greatest risk. Be sure to follow all instructions and warnings in this manual. (See page [13](#).)

Don't Drink and Drive

Alcohol and driving don't mix. Even one drink can reduce your ability to respond to changing conditions, and your reaction time gets worse with every additional drink. So don't drink and drive, and don't let your friends drink and drive, either.

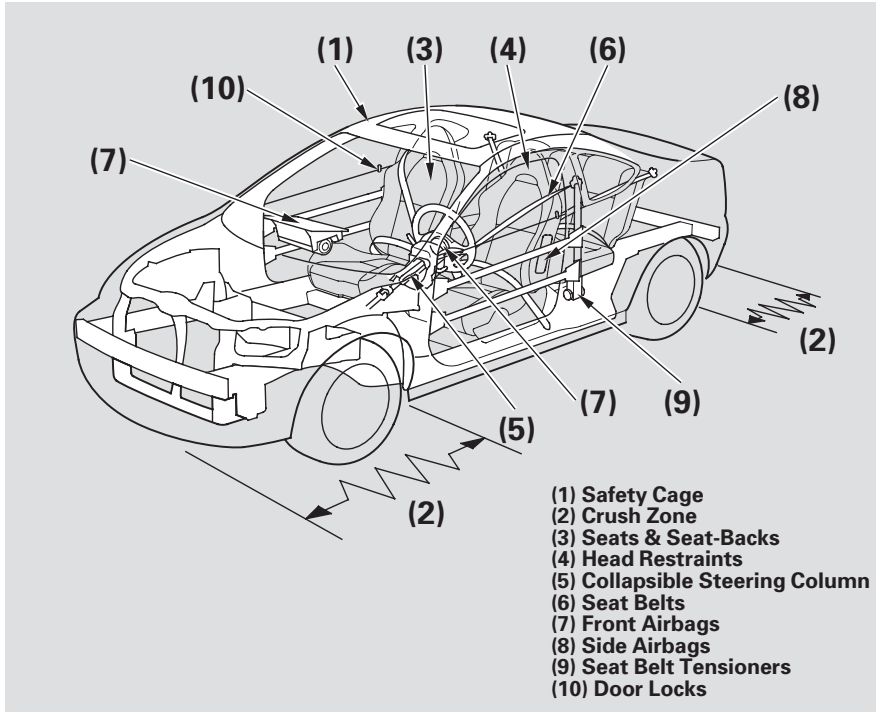
Control Your Speed

Excessive speed is a major factor in crash injuries and deaths. Generally, the higher the speed the greater the risk, but serious accidents can also occur at lower speeds. Never drive faster than is safe for current conditions, regardless of the maximum speed posted.

Keep Your Car in Safe Condition

Having a tire blowout or a mechanical failure can be extremely hazardous. To reduce the possibility of such problems, check your tire pressures and condition frequently, and perform all regularly scheduled maintenance. (See page [196](#).)

Your Car's Safety Features



Your car is equipped with many features that work together to protect you and your passengers during a crash.

Some safety features do not require any action on your part. These include a strong steel framework that forms a safety cage around the passenger compartment; front and rear crush zones that are designed to crumple and absorb energy during a crash; a collapsible steering column; and seat belt tensioners that automatically tighten the front seat belts in the event of a crash.

CONTINUED

Your Car's Safety Features

These safety features are designed to reduce the severity of injuries in a crash. However, you and your passengers can't take full advantage of these safety features unless you remain sitting in a proper position and ***always wear your seat belts properly***. In fact, some safety features can contribute to injuries if they are not used properly.

Seat Belts

For your safety, and the safety of your passengers, your car is equipped with seat belts in all seating positions.



Your seat belt system also includes a light on the instrument panel to remind you and your passengers to fasten your seat belts.

Why Wear Seat Belts

Seat belts are the single most effective safety device for adults and larger children. (Infants and smaller children must be properly restrained in child seats.)

Not wearing a seat belt properly increases the chance of serious injury or death in a crash, even though your car has airbags.

In addition, most states and all Canadian provinces require you to wear seat belts.

⚠ WARNING

Not wearing a seat belt properly increases the chance of serious injury or death in a crash, even if you have airbags.

Be sure you and your passengers always wear seat belts and wear them properly.

When properly worn, seat belts:

- Keep you connected to the vehicle so you can take advantage of the car's built-in safety features.
- Help protect you in almost every type of crash, including frontal, side, and rear impacts and rollovers.

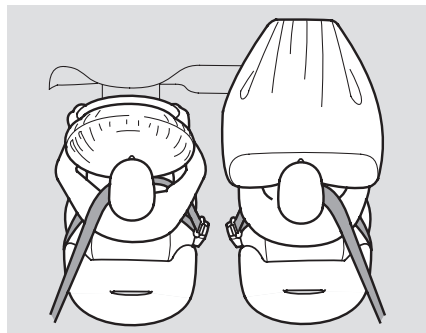
- Help keep you from being thrown against the inside of the vehicle and against other occupants.
- Keep you from being thrown out of the vehicle.
- Help keep you in a good position should the airbags ever deploy. A good position reduces the risk of injury from an inflating airbag, and allows you to get the best advantage from the airbag.

Of course, seat belts cannot completely protect you in every crash. But in most cases, seat belts can reduce your risk of serious injury.

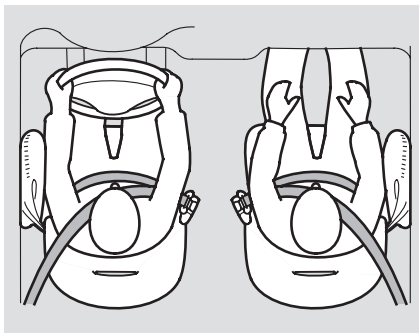
What you should do: Always wear your seat belt, and make sure you wear it properly.

Your Car's Safety Features

Airbags



Your car has a Supplemental Restraint System (SRS) with dual-stage, dual-threshold front airbags to help protect the heads and chests of the driver and a front seat passenger during a moderate to severe frontal collision.



Your car also has side airbags to help protect the upper torso of the driver or a front seat passenger during a moderate to severe side impact.

The most important things you need to know about your airbags are:

- **Airbags do not replace seat belts.** They are designed to supplement the seat belts.

- **Airbags offer no protection in rear impacts, rollovers, or minor frontal or side collisions.**

- **Airbags can pose serious hazards.** To do their job, airbags must inflate with tremendous force and speed. So while airbags help save lives, they can cause minor injuries, or more serious or even fatal injuries if occupants are not properly restrained or sitting properly.

What you should do: Always wear your seat belt properly, and sit upright and as far back as possible from the steering wheel or dashboard.

Seats & Seat-Backs

Your car's seats are designed to keep you in a comfortable, upright position so you can take full advantage of the protection offered by seat belts and the energy absorbing materials in the seats.

How you adjust your seats and seat-backs can also affect your safety. For example, sitting too close to the steering wheel or dashboard increases the risk of you or your passenger being injured by striking the inside of the car, or by an inflating airbag.

Reclining a seat-back too far reduces the seat belt's effectiveness and increases the chance that the seat's occupant will slide under the seat belt in a crash and be seriously injured.

What you should do: Move the front seats as far back as possible, and keep adjustable seat-backs in an upright position whenever the car is moving.

Head Restraints

Head restraints can help protect you from whiplash and other injuries.

Door Locks

Keeping your doors locked reduces the chance of being thrown out of the car during a crash. It also helps prevent occupants from accidentally opening a door and falling out, and outsiders from unexpectedly opening your doors.



Your Car's Safety Features

Pre-Drive Safety Checklist

To make sure you and your passengers get the maximum protection from your car's safety features, check the following each time before you drive away:

- All adults, and children who have outgrown child safety seats, are wearing their seat belts and wearing them properly (see page 16).
- Any infant or small child is properly restrained in a child seat in the back seat (see page 21).
- Front seat occupants are sitting upright and as far back as possible from the steering wheel and dashboard (see page 13).
- Seat-backs are upright (see page 14).
- Both doors are closed and locked (see page 13).
- All cargo is properly stored or secured (see page 164).

The rest of this section gives more detailed information about how you can maximize your safety.

Remember, however, that no safety system can prevent all injuries or deaths that can occur in severe crashes, even when seat belts are properly worn and the airbags deploy.

Introduction

The following pages provide instructions on how to properly protect the driver and other adult occupants.

These instructions also apply to children who have outgrown child seats and are large enough to wear lap/shoulder belts. (See page 37 for important additional guidelines on how to properly protect larger children.)

1. Close and Lock the Doors

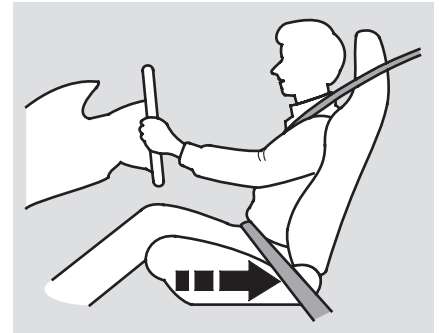
After everyone has entered the car, be sure the doors are closed and locked.

For safety, locking the doors reduces the chance that a passenger, especially a child, will open a door while the car is moving and accidentally fall out. It also reduces the chance of someone being thrown out of the car during a crash.

For security, locked doors can prevent an outsider from unexpectedly opening a door when you come to a stop.

See page 79 for how to lock the doors.

2. Adjust the Front Seats



Any driver who sits too close to the steering wheel is at risk of being seriously injured or killed by striking the steering wheel or from being struck by an inflating front airbag during a crash.

CONTINUED

Protecting Adults

To reduce the chance of injury, wear your seat belt properly, sit upright with your back against the seat, and move the seat away from the steering wheel to the farthest distance that allows you to maintain full control of the car.

The National Highway Traffic Safety Administration and Transport Canada recommend that drivers adjust the seat so the center of the chest is at least 10 inches (25 cm) away from the center of the steering wheel. Also make sure your front seat passenger moves the seat as far to the rear as possible.

⚠ WARNING

Sitting too close to a front airbag can result in serious injury or death if the front airbags inflate.

Always sit as far back from the front airbags as possible.

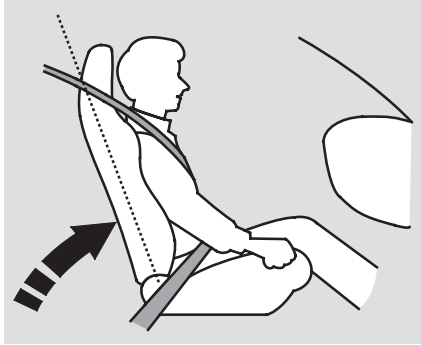
Most shorter drivers can get far enough away from the steering wheel and still reach the pedals. However, if you are concerned about sitting too close, we recommend that you investigate whether some type of adaptive equipment may help.

Once your seat is adjusted correctly, rock it back and forth to make sure the seat is locked in position.

See page [86](#) for how to adjust the front seats.

3. Adjust the Seat-Backs

Adjust the driver's seat-back to a comfortable, upright position, leaving ample space between your chest and the airbag cover in the center of the steering wheel. If you sit too close to the steering wheel, you could be injured if the front airbag inflates.



A front passenger should also adjust the seat-back to an upright position, but as far from the dashboard as possible. A passenger who sits too close to the dashboard could be injured if the front airbag inflates.

Reclining a seat-back so that the shoulder part of the belt no longer rests against the occupant's chest reduces the protective capability of the belt. It also increases the chance of sliding under the belt in a crash and being seriously injured. The farther a seat-back is reclined, the greater the risk of injury.

⚠ WARNING

Reclining the seat-back too far can result in serious injury or death in a crash.

Adjust the seat-back to an upright position and sit well back in the seat.

See page [86](#) for how to adjust seat-backs.

Protecting Adults

4. Fasten and Position the Seat Belts

Insert the latch plate into the buckle, then tug on the belt to make sure the belt is securely latched. Also check that the belt is not twisted, because a twisted belt can cause serious injuries in a crash.



Position the lap part of the belt as low as possible across your hips, then pull up on the shoulder part of the belt so the lap part fits snugly. This lets your strong pelvic bones take the force of a crash and reduces the chance of internal injuries.

If necessary, pull up on the belt again to remove any slack from the shoulder part, then check that the belt rests across the center of your chest and over your shoulder. This spreads the forces of a crash over the strongest bones in your upper body.

⚠ WARNING

Improperly positioning the seat belts can cause serious injury or death in a crash.

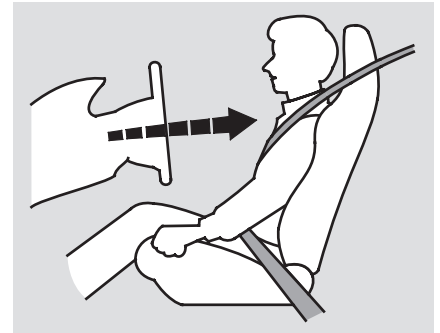
Make sure all seat belts are properly positioned before driving.

Never place the shoulder portion of a lap/shoulder belt under your arm or behind your back. This could cause very serious injuries in a crash.

If a seat belt does not seem to work as it should, it may not protect the occupant in a crash. ***No one should sit in a seat with an inoperative seat belt.*** Anyone using a seat belt that is not working properly can be seriously injured or killed. Have your Acura dealer check the belt as soon as possible.

See page [44](#) for additional information about your seat belt system and how to take care of your belts.

5. Adjust the Steering Wheel



Adjust the steering wheel, if needed, so that the wheel points toward your chest, not toward your face.

Pointing the steering wheel toward your chest provides optimal protection from the airbag.

See page [74](#) for how to adjust the steering wheel.

Protecting Adults

6. Maintain a Proper Sitting Position

After all occupants have adjusted their seats and put on seat belts, it is very important that they continue to sit upright, well back in their seats, with their feet on the floor, until the car is parked and the engine is off.

Sitting improperly can increase the chance of injury during a crash. For example, if an occupant slouches, lies down, turns sideways, sits forward, leans forward or sideways, or puts one or both feet up, the chance of injury during a crash is greatly increased.

In addition, an occupant who is out of position in the front seat can be seriously or fatally injured by striking interior parts of the car, or by being struck by an inflating front airbag. Being struck by an inflating side airbag can result in possibly serious injuries.

⚠ WARNING

Sitting improperly or out of position can result in serious injury or death in a crash.

Always sit upright, well back in the seat, with your feet on the floor.

Remember, to get the best protection from your car's airbags and other safety features, you must sit properly and wear your seat belt properly.

Advice for Pregnant Women



Because protecting the mother is the best way to protect her unborn child, a pregnant woman should always wear a seat belt whenever she drives or rides in a vehicle.

Remember to keep the lap portion of the belt as low as possible across your hips.

Pregnant women should also sit upright and as far back as possible from the steering wheel or dashboard. This will reduce the risk of injuries to both the mother and her unborn child that can be caused by a crash or an inflating airbag.

Each time you have a check-up, ask your doctor if it's okay for you to drive.

Additional Safety Precautions

- ***Two people should never use the same seat belt.*** If they do, they could be very seriously injured in a crash.
- ***Do not put any accessories on seat belts.*** Devices intended to improve occupant comfort or reposition the shoulder part of a seat belt can severely compromise the protective capability of the seat belt and increase the chance of serious injury in a crash.

CONTINUED

Protecting Adults

- **Do not place hard or sharp objects between yourself and a front airbag.** Carrying hard or sharp objects on your lap, or driving with a pipe or other sharp objects in your mouth, can result in injuries if your front airbag inflates.
- **Do not attach or place objects on the front airbag covers.** Any object attached to or placed on the covers marked “SRS AIRBAG” in the center of the steering wheel and on top of the dashboard could interfere with the proper operation of the airbags. Or, if the airbags inflate, the objects could be propelled inside the car and hurt someone.
- **Do not attach hard objects on or near a door.** If a side airbag inflates, a cup holder or other hard object attached on or near the door could be propelled inside the car and hurt someone.
- **Keep your hands and arms away from the airbag covers.** If your hands or arms are close to the airbag cover in the center of the steering wheel or on top of the dashboard, they could be injured if the front airbag inflates.



Children depend on adults to protect them. However, despite their best intentions, many parents and other adults may not know how to *properly* protect young passengers.

So if you have children, or if you ever need to drive with a grandchild or other children in your car, be sure to read this section.

⚠ WARNING

Children who are unrestrained or improperly restrained can be seriously injured or killed in a crash.

Any child too small for a seat belt should be properly restrained in a child seat. A larger child should be properly restrained with a seat belt.

All Children Must Be Restrained
Each year, many children are injured or killed in vehicle crashes because they are either unrestrained or not properly restrained. In fact, vehicle accidents are the number one cause of death of children ages 12 and under.

To reduce the number of child deaths and injuries, every state and Canadian province requires that infants and children be restrained whenever they ride in a vehicle.

Any child who is too small to wear a seat belt should be properly restrained in a child seat. (See page [26](#).)

A larger child should always be restrained with a seat belt, and use a booster, if needed. (See page [37](#).)

CONTINUED

Protecting Children

Additional Precautions to Parents

- **Never hold an infant or child on your lap.** If you are not wearing a seat belt in a crash, you could be thrown forward into the dashboard and crush the child.

If you are wearing a seat belt, the child can be torn from your arms during a crash. For example, if your car crashes into a parked vehicle at 30 mph (48 km/h), a 20-lb (9 kg) infant will become a 600-lb (275 kg) force, and you will not be able to hold on.

- **Never put a seat belt over yourself and an infant or child.** During a crash, the belt could press deep into the child and cause very serious injuries.

Children Should Sit in the Back Seat

According to accident statistics, children of all ages and sizes are safer when they are restrained in the back seat, not the front seat. The National Highway Traffic Safety Administration and Transport Canada recommend that all children ages 12 and under be properly restrained in the back seat.

In the back seat, children are less likely to be injured by striking hard interior parts during a collision or hard braking. Also, children cannot be injured by an inflating airbag when they ride in the back.

The Passenger's Front Airbag Poses Serious Risks to Children

Front airbags have been designed to help protect adults in a moderate to severe frontal collision. To do this, the passenger's front airbag is quite large, and it inflates with tremendous speed.

Infants

Never put a rear-facing child seat in the front seat of a vehicle equipped with a passenger's front airbag. If the airbag inflates, it can hit the back of the child seat with enough force to kill or very seriously injure an infant.

Small Children

Placing a forward-facing child seat in the front seat of a vehicle equipped with a passenger's front airbag can be hazardous. If the vehicle seat is too far forward, or the child's head is thrown forward during a collision, an inflating front airbag can strike the child with enough force to kill or very seriously injure a small child.

Larger Children

Children who have outgrown child seats are also at risk of being injured or killed by an inflating passenger's front airbag. Whenever possible, larger children should sit in the back seats, in a booster seat if needed, and be properly restrained with a seat belt.

U.S. Models

To remind you of the passenger's front airbag hazards, and that children must be properly restrained in the back seat, your car has warning labels on the dashboard and on the driver's and front passenger's visors. Please read and follow the instructions on these labels.



CONTINUED

Protecting Children

Canadian Models

To remind you of the front airbag hazards, your car has warning labels on the driver's and front passenger's visors. Please read and follow the instructions on these labels.

CAUTION

- TO AVOID SERIOUS INJURY :**
- FOR MAXIMUM SAFETY PROTECTION IN ALL TYPES OF CRASHES, YOU MUST ALWAYS WEAR YOUR SAFETY BELT.
 - DO NOT INSTALL REARWARD-FACING CHILD SEATS IN ANY FRONT PASSENGER SEAT POSITION.
 - DO NOT SIT OR LEAN UNNECESSARILY CLOSE TO THE AIR BAG.
 - DO NOT PLACE ANY OBJECTS OVER THE AIR BAG OR BETWEEN THE AIR BAG AND YOURSELF.
 - SEE THE OWNER'S MANUAL FOR FURTHER INFORMATION AND EXPLANATIONS.

PRÉCAUTION :

- POUR ÉVITER DES BLESSURES GRAVES :**
- POUR PROFITER D'UNE PROTECTION MAXIMALE LORS D'UNE COLLISION BOUCLEZ TOUJOURS VOTRE CEINTURE DE SÉCURITÉ.
 - N'INSTALLEZ JAMAIS UN SIÈGE POUR ENFANTS FAISANT FACE À L'ARRIÈRE SUR LE SIÈGE DU PASSAGER AVANT.
 - NE VOUS APPUYEZ PAS ET NE VOUS ASSOYEZ PAS PRES DU COUSSIN GONFLABLE.
 - NE DEPOSEZ AUCUN OBJET SUR LE COUSSIN GONFLABLE OU ENTRE LE COUSSIN GONFLABLE ET VOUS.
 - LISEZ LE GUIDE UTILISATEUR POUR DE PLUS AMPLES RENSEIGNEMENTS.

If You Must Drive with Several Children

Your car has two seating positions in the back seat where children can be properly restrained.

If you ever have to carry more than two children in your car:

- Place the largest child in the front seat, provided the child is large enough to wear a seat belt properly (see page 37).
- Move the vehicle seat as far to the rear as possible (see page 13).
- Have the child sit upright and well back in the seat (see page 18).
- Make sure the seat belt is properly positioned and secured (see page 16).

If a Child Requires Close Attention

Many parents say they prefer to put an infant or small child in the front passenger seat so they can watch the child, or because the child requires attention.

Placing a child in the front seat exposes the child to hazards from the passenger's front airbag, and paying close attention to a child distracts the driver from the important tasks of driving, placing both of you at risk.

If a child requires physical attention or frequent visual contact, we strongly recommend that another adult ride with the child in the back seat. The back seat is far safer for a child than the front.

Additional Safety Precautions

- **Do not leave children alone in your vehicle.** Leaving children without adult supervision is illegal in most states and Canadian provinces, and can be very hazardous. For example, infants and small children left in a vehicle on a hot day can die from heatstroke. And children left alone with the key in the ignition can accidentally set the vehicle in motion, possibly injuring themselves or others.
- **Lock both doors and the hatch when your vehicle is not in use.** Children who play in cars can accidentally get trapped inside the car. Teach your children not to play in or around cars.
- **Keep car keys and remote transmitters out of the reach of children.** Even very young children learn how to unlock vehicle doors, turn on the ignition, and open the hatch, which can lead to accidental injury or death.

Protecting Children

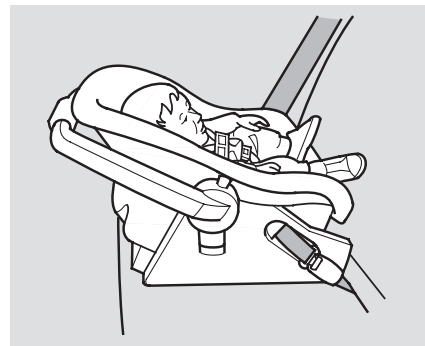
General Guidelines for Using Child Seats

The following pages give general guidelines for selecting and installing child seats for infants and small children.

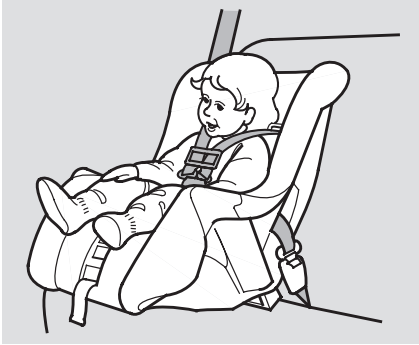
Selecting a Child Seat

To provide proper protection, a child seat should meet three requirements:

- 1. *The child seat should meet safety standards.*** The child seat should meet Federal Motor Vehicle Safety Standard 213 (FMVSS 213) or Canadian Motor Vehicle Safety Standard 213 (CMVSS 213). Look for the manufacturer's statement of compliance on the box and seat.
- 2. *The child seat should be of the proper type and size to fit the child.***



Infants: Children up to about one year old should be restrained in a rear-facing, reclining child seat. Only a rear-facing seat provides the proper support to protect an infant's head, neck, and back. See page [30](#) for additional information on protecting infants.



Small Children: A child who is too large for a rear-facing child seat, and who can sit up without support, should be restrained in a forward-facing child seat. See page 34 for additional information on protecting small children.

3. The child seat should fit the vehicle seating position (or positions) where it will be used.

Due to variations in the design of child seats, vehicle seats, and seat belts, all child seats will not fit all vehicle seating positions.

However, Acura is confident that one or more child seat models can fit and be properly installed in all recommended seating positions in your car.

Before purchasing a child seat, we recommend that parents test the child seat in the specific vehicle seating position (or positions) where they intend to use the seat. If a previously purchased child seat does not fit, you may need to buy a different one that will fit.

Your car has lower anchorages installed for use with LATCH-compatible child seats. For more information, see page 42 .

CONTINUED

Protecting Children

Placing a Child Seat

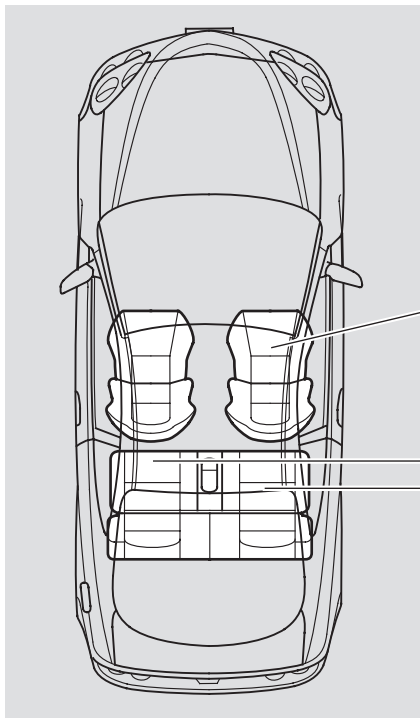
This page briefly summarizes Acura's recommendations on where to place rear-facing and forward-facing child seats in your car.

Airbags Pose Serious Risks to Children

The passenger's front airbag inflates with enough force to kill or seriously injure an infant in a rear-facing child seat.

A small child in a forward-facing child seat is also at risk. If the vehicle seat is too far forward, or the child's head is thrown forward during a collision, an inflating front airbag can kill or seriously injure the child.

If a small child must ride in the front, follow the instructions provided in this section.



Front Passenger's Seat

Infants: Never in the front seat, due to the front airbag hazard.

Small children: Not recommended, due to the front airbag hazard. If a small child must ride in front, move the vehicle seat to the rear-most position and secure a front-facing child seat with the seat belt (see page 35).

Back Seats

Infants: Recommended positions. Properly secure a rear-facing child seat (see page 31).

Small children: Recommended positions. Properly secure a front-facing child seat (see page 35).

Installing a Child Seat

After selecting a proper child seat, and a good position to install the seat, there are three main steps in installing the seat:

1. Properly secure the child seat to the car. All child seats are designed to be secured to the car with the lap part of a lap/shoulder belt. Some child seats can be secured to the vehicle's LATCH anchorage system instead. A child whose seat is not properly secured to the car can be endangered in a crash. See pages 31, 35 and 42 for instructions on how to properly secure child seats in this car.

2. Make sure the child seat is firmly secured. After installing a child seat, push and pull the seat forward and from side to side to verify that it is secure.

To provide security during normal driving maneuvers as well as during a collision, we recommend that parents secure a child seat as firmly as possible.

However, a child seat does not need to be "rock solid." In some vehicles or seating positions, it may be difficult to install a child seat so that it does not move at all. Some side-to-side or back-and-forth movement can be expected and should not reduce the child seat's effectiveness.

If the child seat is not secure, try installing it in a different seating position, or use a different style of child seat that can be firmly secured in the desired seating position.

3. Secure the child in the child seat.

Make sure the child is properly strapped in the child seat according to the child seat maker's instructions. A child who is not properly secured in a child seat can be thrown out of the seat in a crash and be seriously injured.

Storing a Child Seat

When you are not using a child seat, either remove it and store it in a safe place, or make sure it is properly secured. An unsecured child seat can be thrown around the car during a crash or sudden stop and injure someone.

Protecting Children

Protecting Infants



Child Seat Type

Only a rear-facing child seat provides proper support for a baby's head, neck, and back. Infants up to about one year of age must be restrained in a rear-facing child seat.

Two types of seats may be used: a seat designed exclusively for infants, or a convertible seat used in the rear-facing, reclining mode.

⚠ WARNING

Placing a rear-facing child seat in the front seat can result in serious injury or death if the passenger's front airbag inflates.

Always place a rear-facing child seat in the back seat, not the front.

We recommend that an infant be restrained in a rear-facing child seat until the infant is at least one year old, reaches the seat maker's weight or height limit, and is able to sit up without support.

Rear-Facing Child Seat Placement

In this car, a rear-facing child seat can be placed in any seating position in the back seat, but not in the front seat.

Never put a rear-facing child seat in

the front seat. If the passenger's front airbag inflates, it can hit the back of the child seat with enough force to kill or seriously injure an infant. If an infant must be closely watched, we recommend that another adult sit in the back seat with the baby.

Do not put a rear-facing child seat in

a forward-facing position. If placed facing forward, an infant could be very seriously injured during a frontal collision.

Rear-Facing Child Seat Installation

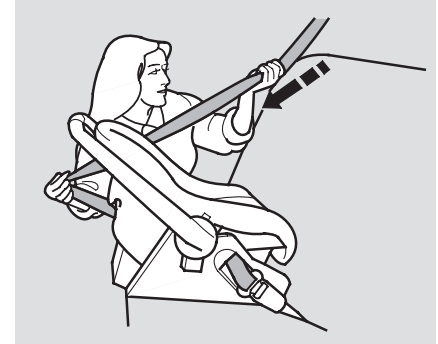
The lap/shoulder belts in the back seats have a locking mechanism that must be activated to secure a child seat.

The following pages provide instructions and tips on how to secure a rear-facing child seat with this type of seat belt.

If you have a child seat designed to attach to the vehicle's LATCH anchorage system, follow the instructions on page 42.



1. With the child seat in the desired back seating position, route the belt through the child seat according to the seat maker's instructions, then insert the latch plate into the buckle.



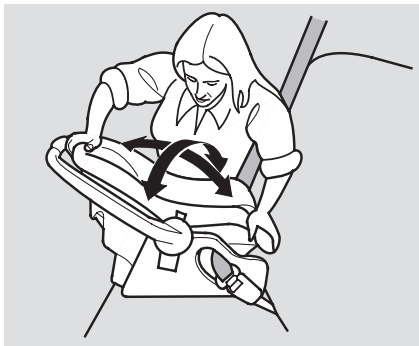
2. To activate the lockable retractor, slowly pull the shoulder part of the belt all the way out until it stops, then let the belt feed back into the retractor (you might hear a clicking noise as the belt retracts).
3. After the belt has retracted, tug on it. If the belt is locked, you will not be able to pull it out. If you can pull the belt out, it is not locked and you will need to repeat these steps.

CONTINUED

Protecting Children



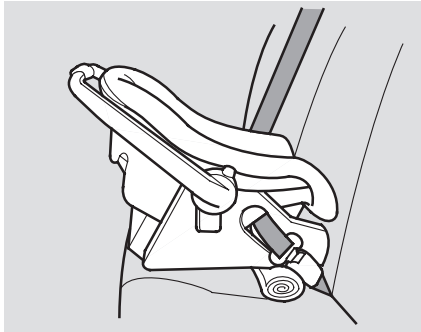
4. After confirming that the belt is locked, grab the shoulder part of the belt near the buckle and pull up to remove any slack from the lap part of the belt. Remember, if the lap part of the belt is not tight, the child seat will not be secure. To remove slack, it may help to put weight on the child seat, or push on the back of the seat, while pulling up on the belt.



5. Push and pull the child seat forward and from side to side to verify that it is secure enough to stay upright during normal driving maneuvers. If the child seat is not secure, unlatch the belt, allow it to retract fully, then repeat these steps.

To deactivate the locking mechanism and remove a child seat, unlatch the buckle, unrout the seat belt, and let the belt fully retract.

Rear-Facing Child Seat Installation Tips



For proper protection, an infant must ride in a reclined, or semi-reclined position. To determine the proper reclining angle, check with the baby's doctor or follow the seat maker's recommendations.

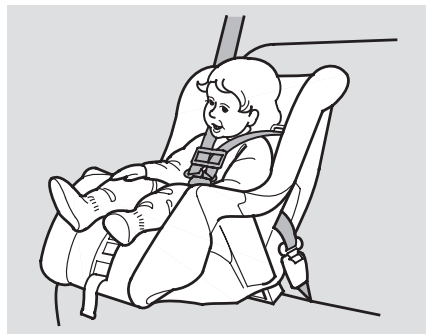
To achieve the desired reclining angle, it may help to put a rolled up towel under the toe of the child seat, as shown.

When properly installed, a rear-facing child seat may prevent the driver or a front-seat passenger from moving the seat as far back as recommended (see page 13). Or it may prevent them from locking the seat-back in the desired upright position (see page 14).

In either case, we recommend that you place the child seat directly behind the front passenger seat, move the front seat as far forward as needed, and leave it unoccupied. Or you may wish to get a smaller child seat that allows you to safely carry a front passenger.

Protecting Children

Protecting Small Children



Child Seat Type

A child at least one year old who can sit up without support, and who fits within the child seat maker's weight and height limits, should be restrained in a forward-facing, upright child seat.

Of the different seats available, we recommend those that have a five-point harness system as shown.

We also recommend that a small child stay in the child seat as long as possible, until the child reaches the weight or height limit for the seat.

Child Seat Placement

In this car, the best place to install a forward-facing child seat is in one of the seating positions in the back seat.

Placing a forward-facing child seat in the front seat of a vehicle equipped with a passenger's front airbag can be hazardous. If the vehicle seat is too far forward, or the child's head is thrown forward during a collision, an inflating front airbag can strike the child with enough force to cause very serious or fatal injuries. If a small child must be closely watched, we recommend that another adult sit in the back seat with the child.

⚠ WARNING

Improperly placing a forward-facing child seat in the front seat can result in serious injury or death if the front airbags inflate.

If you must place a forward-facing child seat in front, move the vehicle seat as far back as possible and properly restrain the child.

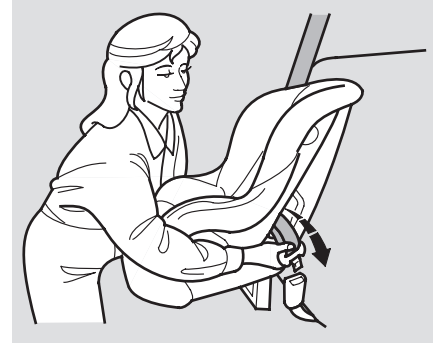
If it is necessary to put a forward-facing child seat in the front, move the vehicle seat as far to the rear as possible, be sure the child seat is firmly secured to the car, and the child is properly strapped in the seat.

Child Seat Installation

The lap/shoulder belts in the back and front passenger seating positions have a locking mechanism that must be activated to secure a child seat.

The following pages provide instructions on how to secure a forward-facing child seat with this type of seat belt.

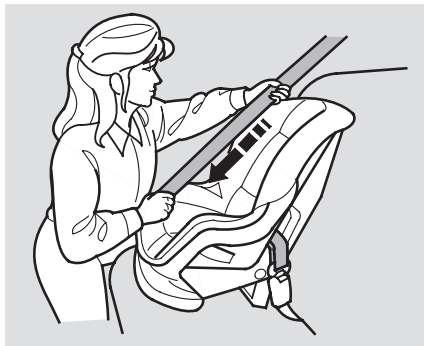
If you have a child seat designed to attach to the vehicle's LATCH anchorage system, follow the instructions on page [42](#).



1. With the child seat in the desired seating position, route the belt through the child seat according to the seat maker's instructions, then insert the latch plate into the buckle.

CONTINUED

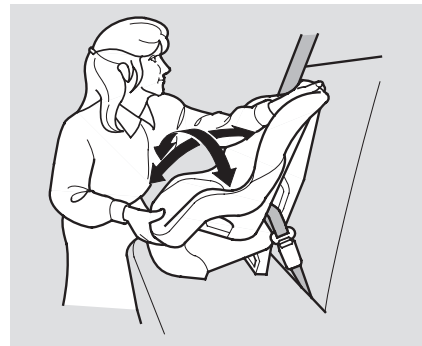
Protecting Children



2. To activate the lockable retractor, slowly pull the shoulder part of the belt all the way out until it stops, then let the belt feed back into the retractor (you might hear a clicking noise as the belt retracts).
3. After the belt has retracted, tug on it. If the belt is locked, you will not be able to pull it out. If you can pull the belt out, it is not locked and you will need to repeat these steps.



4. After confirming that the belt is locked, grab the shoulder part of the belt near the buckle and pull up to remove any slack from the lap part of the belt. Remember, if the lap part of the belt is not tight, the child seat will not be secure. It may help to put weight on the child seat, or push on the back of the seat, while pulling up on the belt.



5. Push and pull the child seat forward and from side to side to verify that it is secure enough to stay upright during normal driving maneuvers. If the child seat is not secure, unlatch the belt, allow it to retract fully, then repeat these steps.

To deactivate the locking mechanism in order to remove a child seat, unlatch the buckle, unrout the seat belt, and let the belt fully retract.

Protecting Larger Children

When a child reaches the recommended weight or height limit for a forward-facing child seat, the child should sit in the back seat on a booster and wear a lap/shoulder belt.

We recommend that the child use a booster seat until the child is tall enough to use the seat belt without a booster.

The following pages give instructions on how to check proper seat belt fit, what kind of booster seat to use if one is needed, and important precautions for a child who must sit in the front seat.

⚠ WARNING

Allowing a larger child to sit improperly in the front seat can result in injury or death if the front airbag inflates.

If a larger child must sit in front, make sure the child moves the seat as far back as possible and wears the seat belt properly.

Protecting Children

Checking Seat Belt Fit



To determine if a lap/shoulder belt properly fits a child, have the child sit in the rear seat, all the way back against the seat and put on the seat belt. Follow the instructions on page 16. Then check how the belt fits.

If the shoulder part of the belt rests over the child's collarbone and against the center of the chest, and the lap belt rests over the child's hipbones and touches the tops of

their thighs as shown, the child is probably big enough to wear the seat belt.

However, if the shoulder belt touches or crosses the child's neck, or if the lap belt crosses the child's stomach, the child needs to use a booster seat.

Do not let a child wear a seat belt across the neck or over the stomach. This could result in serious neck and internal injuries during a crash.

Do not let a child put the shoulder part of a seat belt behind the back or under the arm. This could cause very serious injuries during a crash. It also increases the chance that the child will slide under the belt in a crash and be injured.

Do not put any accessories on a seat belt. Devices intended to improve occupant comfort or reposition the shoulder part of a seat belt, severely compromise the protective capability of the seat belt and increase the chance of serious injury in a crash.

Two children should never use the same seat belt. If they do, they could be very seriously injured in a crash.

Using a Booster Seat



If a child needs a booster seat, we recommend choosing a high or low-back style that allows the child to be directly secured with the lap/shoulder belt.

Whichever style you select, follow the booster seat maker's instructions.

A child should continue using a booster seat until the child exceeds the booster seat manufacturer's requirements.

Even then, the child may still need to use a booster seat. Note that some states now require children to use boosters until they reach a certain age and/or weight. Be sure to check current laws in the state or states where you intend to drive.

When Can a Larger Child Sit in Front
The National Highway Traffic Safety Administration and Transport Canada recommend that all children ages 12 and under be properly restrained in a back seat.

The back seat is the safest place for a child of any age or size.

In addition, the passenger's front airbag poses serious risks to children. If the seat is too far forward, or the child's head is thrown forward during a collision, or the child is unrestrained or out of position, an inflating front airbag can kill or seriously injure the child.

The side airbag also poses risks. If any part of a larger child's body is in the path of a deploying airbag, the child could receive possibly serious injuries.

CONTINUED

Protecting Children

Of course, children vary widely. And while age may be one indicator of when a child can safely ride in the front, there are other important factors you should consider.

Physical Size

Physically, a child must be large enough for the lap/shoulder belt to properly fit over the hips, chest, and shoulder (see pages 16 and 38). If the seat belt does not fit properly, the child should not sit in the front.

Maturity

To safely ride in front, a child must be able to follow the rules, including sitting properly and wearing the seat belt properly throughout a ride.

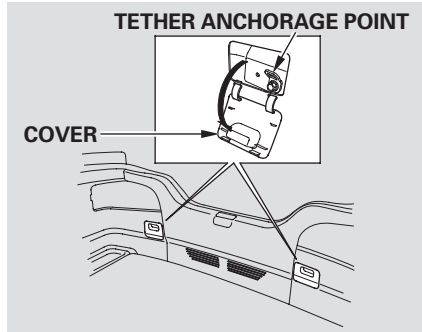
If you decide that a child can safely ride up front, be sure to:

- Carefully read the owner's manual and make sure you understand all seat belt instructions and all safety information.
- Move the vehicle seat to the rear-most position.
- Have the child sit up straight, back against the seat, and feet on or near the floor.
- Check that the child's seat belt is properly positioned and secured.

Remind the child not to lean toward the door because of the side airbag.

- Supervise the child. Even mature children sometimes need to be reminded to fasten the seat belts or sit properly.

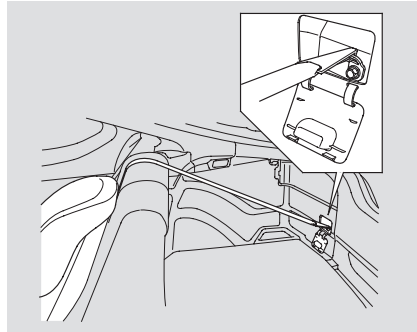
Using Child Seats with Tethers



Your Acura has two tether anchorage points on the rear panel for securing a tether-style child seat to the car.

Since a tether can provide additional security, we recommend using a tether whenever one is required or available.

To use the anchorage point, pivot its cover down.

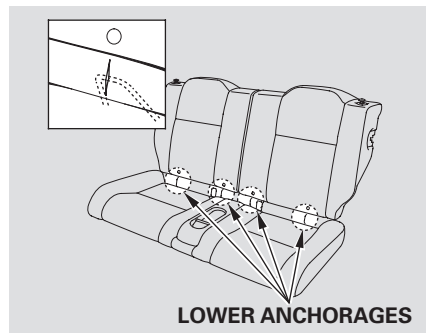


Attach the tether strap hook to the tether anchorage point and tighten the strap according to the child seat maker's instructions.

Remove the cargo area cover when you use a tether. See Cargo Area Cover on page [89](#) .

Protecting Children

Using LATCH

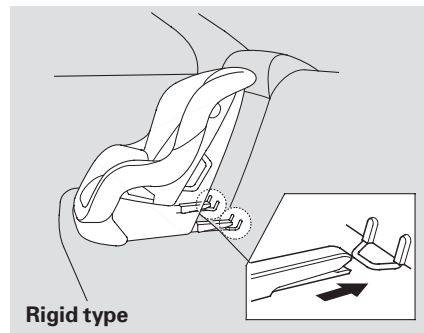


Your car is equipped with LATCH (Lower Anchors and Tethers for Children) at the rear seats. The lower anchors are located between the seat-back and seat bottom and are to be used only with a child seat designed for use with LATCH.

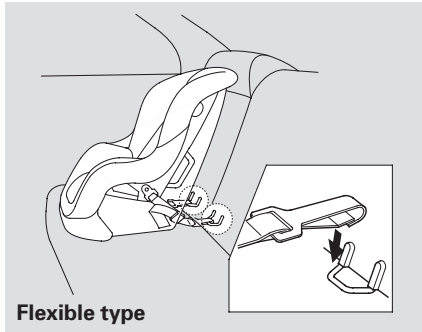
The exact location of each lower anchorage is marked with a small circle above the lower anchorage point.

To install a LATCH-compatible child seat:

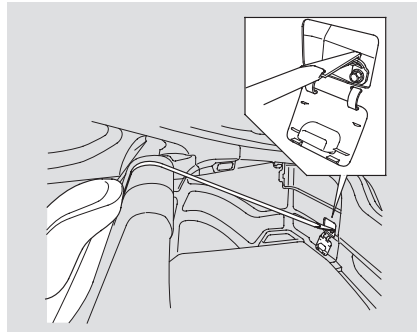
1. Move the seat belt buckle or seat belt tongue away from the lower anchors.
2. Make sure there are no foreign objects around the anchors. Foreign objects could get in the way of a secure connection between the child seat and the anchors.



3. Put the child seat in the rear left or right vehicle seat and attach the child seat to the lower anchors according to the child seat maker's instructions.



4. Follow the child seat maker's instructions for any additional advice on adjusting or tightening the fit.



5. Attach the attaching clip to the tether anchor fitting and tighten the strap according to the child seat maker's instructions. Make sure the strap is not twisted.
6. Push and pull the child seat forward and from side to side to verify that it is secure enough to stay upright during normal driving maneuvers.

Lower Universal Anchorage System Symbol



This symbol on rear or forward facing child seats or booster cushions indicates the presence of LATCH compatible hardware.

Additional Information About Your Seat Belts

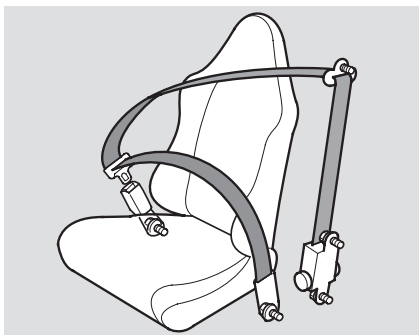
Seat Belt System Components

Your seat belt system includes lap/shoulder belts in all four seating positions.



The seat belt system also includes a light on the instrument panel to remind you and your passengers to fasten your belts. If the driver's seat belt is not fastened before the ignition is turned ON (II), the light will come on and a beeper will also sound. The beeper will stop after a few seconds, but the light will stay on until the driver's seat belt is fastened.

Lap/Shoulder Belt



This seat belt has a single belt that goes over your shoulder, across your chest and across your hips.

To fasten the belt, insert the latch plate into the buckle, then tug on the belt to make sure the buckle is latched.

To unlock the belt, push the red PRESS button on the buckle. Guide the belt across your body to the door pillar. After exiting the car, be sure the belt is out of the way and will not get closed in the door.

All seat belts have an emergency locking retractor. In normal driving, the retractor lets you move freely in your seat while it keeps some tension on the belt. During a collision or sudden stop, the retractor automatically locks the belt to help restrain your body.

The seat belts in all seating positions except the driver's have an additional locking mechanism that must be activated to secure a child seat. (See pages 31 and 35 for instructions on how to secure child seats with this type of seat belt.)

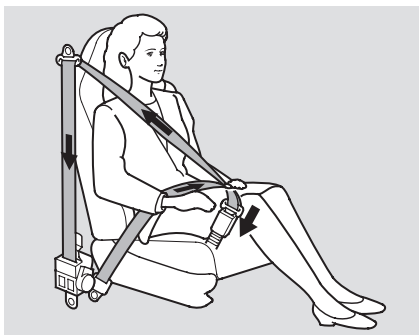
Additional Information About Your Seat Belts

If the shoulder part of the belt is pulled all the way out, the locking mechanism will activate. The belt will retract, but it will not allow the passenger to move freely.

To deactivate the locking mechanism, unlatch the buckle and let the seat belt fully retract. To refasten the belt, pull it out only as far as needed.

See page 16 for instructions on how to wear the lap/shoulder belt properly.

Automatic Seat Belt Tensioners



For added protection, the front seat belts are equipped with automatic seat belt tensioners. When activated, the tensioners immediately tighten the belts to help hold the driver and a front passenger in place.

The tensioners are designed to activate primarily in frontal collisions. The tensioners are independent of the airbag system, so they can be activated during a collision that might not cause the airbags to deploy. In this case, the airbags would not be needed but the additional seat belt tension can be helpful.

The tensioners will be activated in a collision severe enough to cause the front airbags to inflate.

CONTINUED

Additional Information About Your Seat Belts

When the tensioners are activated, the seat belts will remain tight until they are unbuckled in the normal way.

SRS The SRS indicator light will come on if there is a problem with your automatic seat belt tensioners (see page 51).

Seat Belt Maintenance

For safety, you should check the condition of your seat belts regularly.

Pull each belt out fully and look for frays, cuts, burns, and wear. Check that the latches work smoothly and that the lap/shoulder belts retract easily. Any belt not in good condition or not working properly will not provide good protection and should be replaced as soon as possible.

U.S. Models

Acura provides a lifetime warranty on seat belts. Acura will repair or replace any seat belt component that fails to function properly during normal use. Please see your *Acura Warranty Information* booklet for details.

⚠ WARNING

Not checking or maintaining seat belts can result in serious injury or death if the seat belts do not work properly when needed.

Check your seat belts regularly and have any problem corrected as soon as possible.

Additional Information About Your Seat Belts

If a seat belt is worn during a crash, it must be replaced by the dealer. A belt that has been worn during a crash may not provide the same level of protection in a subsequent crash. The dealer should also inspect the anchors for damage and replace them if needed.

Automatic seat belt tensioners that deployed during a crash must be replaced.

For information on how to clean your seat belts, see page [257](#).

Additional Information About Your Airbags

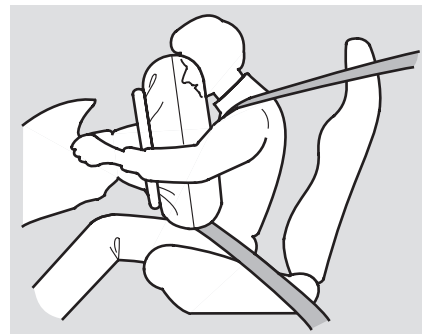
SRS Components

Your Supplemental Restraint System (SRS) includes:

- Two front airbags. The driver's airbag is stored in the center of the steering wheel; the front passenger's airbag is stored in the dashboard. Both are marked "SRS AIRBAG."
- Automatic seat belt tensioners (see page 45).
- Sensors that can detect a moderate to severe frontal collision.

- A sophisticated electronic system that continually monitors and records information about the sensors, the control unit, the airbag activators, and driver and passenger seat belt use when the ignition is ON (II).
- An indicator light on the instrument panel that alerts you to a possible problem with the system (see page 51).
- Emergency backup power in case your car's electrical system is disconnected in a crash.

How Your Front Airbags Work



Your vehicle is equipped with dual-stage, dual-threshold airbags to help reduce the chance of airbag-caused injuries.

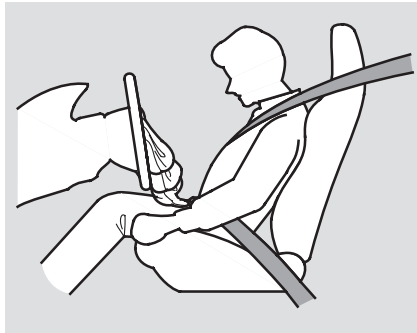
If you ever have a moderate to severe frontal collision, the sensors will detect the vehicle's rapid deceleration. If the rate of deceleration is high enough, the control unit will instantly inflate the front airbags.

Additional Information About Your Airbags

During a frontal crash, your seat belts help restrain your lower body and torso. Your airbag provides a cushion to help restrain and protect your head and chest.

Since both airbags use the same sensors, both airbags normally inflate at the same time. However, it is possible for only one airbag to inflate.

This can occur when the severity of a collision is at the margin, or threshold, that determines whether or not the airbags will deploy. In such cases, the seat belt will provide sufficient protection, and the supplemental protection offered by the airbag would be minimal.



After inflating, the front airbags immediately deflate, so they won't interfere with the driver's visibility, or the ability to steer or operate other controls.

The total time for inflation and deflation is approximately one-tenth of a second, so fast that most occupants are not aware that the airbags deployed until they see them lying in their laps.

After a crash, you may see what looks like smoke. This is actually powder from the airbag's surface. Although the powder is not harmful, people with respiratory problems may experience some temporary discomfort. If this occurs, get out of the car as soon as it is safe to do so.

CONTINUED

Additional Information About Your Airbags

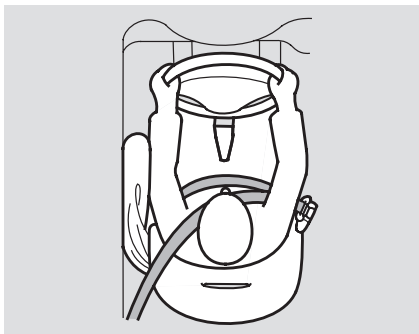
U.S. Owners:

For additional information on how your airbags work, see the booklet titled *SRS: What You Need to Know About Airbags* that came with your owner's manual.

Canadian Owners:

For additional information on how your airbags work, ask your dealer for a copy of the booklet titled *SRS: What You Need to Know About Airbags*.

How Your Side Airbags Work



Your car is equipped with side airbags for the driver and a front seat passenger. The airbags are stored in the outer edges of the front seat-backs, and both are marked "SIDE AIRBAG."

If you ever have a moderate to severe side impact, the sensors will detect rapid deceleration and signal the control unit to instantly inflate either the driver's or the passenger's side airbag.

Only one airbag will deploy during a side impact. If the impact is on the passenger's side, the passenger's side airbag will deploy even if there is no passenger.

To get the best protection from the side airbags, front seat occupants should wear their seat belts and sit upright and well back in their seats.

How the SRS Indicator Light Works

SRS The purpose of the SRS indicator light is to alert you to a potential problem with your front airbags. This light will also alert you to a potential problem with your automatic seat belt tensioners (page 45); or your side airbags or passenger's side airbag automatic cutoff system (page 52).

When you turn the ignition ON (II), this indicator will light briefly then go out. This tells you that the system is working properly.

If the light comes on at any other time, or does not come on at all, you should have the system checked by your dealer. For example:

- If the SRS indicator light does not come on after you turn the ignition switch to ON (II).
- If the light stays on after the engine starts.
- If the light comes on or flashes on and off while you drive.

If you see any of these indications, your front or side airbags may not deploy, your passenger's side airbag automatic cutoff system may not work properly, or your seat belt tensioners may not work when you need them. See your Acura dealer as soon as possible.


⚠ WARNING

Ignoring the SRS indicator light can result in serious injury or death if the airbags, cutoff system, or tensioners do not work properly.

Have your vehicle checked by a dealer as soon as possible if the SRS light alerts you to a potential problem.

Additional Information About Your Airbags

How the Side Airbag Cutoff Indicator Light Works

 This light alerts you that the passenger's side airbag has been automatically shut off.

It does not mean there is a problem with your side airbags. It means that the side airbag cutoff system has activated to prevent the side airbag from deploying.

To reduce the risk of injury from an inflating side airbag, your car has an automatic cutoff system for the passenger's side airbag.

Although Acura does not encourage children to ride in the front seat, this system is designed to shut off the side airbag if a child leans sideways and the child's head is in the side airbag deployment path.

If a small-statured adult leans sideways, or larger adult slouches and leans sideways into the deployment path of the side airbag, the system may also shut off the side airbag.

If the side airbag indicator light comes on, you should have the passenger sit upright. Once the passenger is out of the deployment path of the side airbag, the system will turn the airbag back on and the light will go out.

A front seat passenger should not use a cushion or other object as a backrest. It may prevent the cutoff system from working properly.

When you turn the ignition switch to ON (II), the indicator should light briefly and go out (see page 60). If it doesn't light, stays on, or comes on while driving without a passenger in the front seat, have the system checked.

Additional Information About Your Airbags

Airbag Service

Your front and side airbag systems are virtually maintenance-free, and there are no parts you can safely service. However, you must have your car serviced if:

- **Your airbags ever inflate.** Any airbag that has deployed must be replaced along with the control unit, automatic seat belt tensioners and other related parts. Do not try to remove or replace any airbag by yourself. This must be done by an Acura dealer or a knowledgeable body shop.
- **The SRS indicator light alerts you to a problem.** Take your car to an authorized Acura dealer as soon as possible. If you ignore this indication, the airbags might not inflate when you need them.

Additional Safety Precautions

- **Do not attempt to deactivate your airbags.** Together, airbags and seat belts provide the best protection.
- **Do not tamper with airbag components or wiring for any reason.** Tampering could cause the airbags to deploy, possibly causing very serious injury.
- **Do not expose the front seat-backs to water.** If rain or spilled water soaks into a seat-back, it can prevent the side airbag system from working properly.

- **Do not cover or replace front seat-back covers without consulting an Acura dealer.** Improperly replacing or covering front seat-back covers can prevent your side airbags from inflating during a collision.

See page [162](#) for further information and precautions relating to your airbags.

Carbon Monoxide Hazard

Your car's exhaust contains carbon monoxide gas. You should have no problem with carbon monoxide entering the car in normal driving if you maintain your car properly. Have the exhaust system inspected for leaks whenever:

- The car is raised for an oil change.
- You notice a change in the sound of the exhaust.
- The car was in an accident that may have damaged the underside.

WARNING



Carbon monoxide gas is toxic. Breathing it can cause unconsciousness and even kill you.

Avoid any enclosed areas or activities that expose you to carbon monoxide.

High levels of carbon monoxide can collect rapidly in enclosed areas, such as a garage. Do not run the engine with the garage door closed. Even with the door open, run the engine only long enough to move the vehicle out of the garage.

With the hatch open, air flow can pull exhaust gas into your car's interior and create a hazardous condition. If you must drive with the hatch open, open all the windows and set the heating and cooling system as shown below.

If you must sit in your parked car, even in an unconfined area, with the engine running, adjust the heating and cooling system as follows:

1. Push the  button.
2. Select the  mode.
3. Turn the fan on high speed.
4. Set the temperature control to a comfortable setting.

These labels are in the locations shown. They warn you of potential hazards that could cause serious injury. Read these labels carefully.

If a label comes off or becomes hard to read, contact your Acura dealer for a replacement.

HOOD

▲WARNING
 Accidental deployment can seriously hurt or kill you.
 Follow Service Manual instructions carefully.

▲ATTENTION
 Un déploiement accidentel risque de causer de graves blessures, voire mort.
 Suivre attentivement les Instructions du manuel de réparation.

RADIATOR CAP

DANGER
WARNING
危険

- ▶ NEVER OPEN WHEN HOT.
 Hot coolant will scald you.
- ▶ N'OUVREZ PAS QUAND CHAUD.
 Risque des blessures lorsqu'on ouvre.
- ▶ 高温時に、絶対に開かない。

1.1

DASHBOARD

U.S. models only

▲WARNING

Children Can Be KILLED or INJURED by Passenger Air Bag

- The back seat is the safest place for children 12 and under.
- Make sure all children use seat belts or child seats.

To be removed by owner only.

SUN VISOR

U.S. models

▲WARNING

DEATH or SERIOUS INJURY can occur

- Children 12 and under can be killed by the air bag
- The BACK SEAT is the SAFEST place for children
- NEVER put a rear-facing child seat in the front
- Sit as far back as possible from the air bag
- ALWAYS use SEAT BELTS and CHILD RESTRAINTS

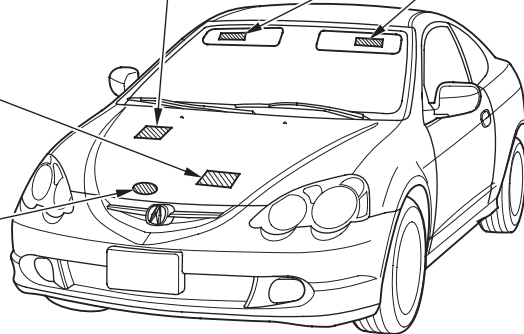
Canadian models

CAUTION
 TO AVOID SERIOUS INJURY :

- FOR MAXIMUM SAFETY PROTECTION IN ALL TYPES OF CRASHES, YOU MUST ALWAYS WEAR YOUR SAFETY BELT.
- DO NOT INSTALL REARWARD-FACING CHILD SEATS IN ANY FRONT PASSENGER SEAT POSITION.
- DO NOT SIT OR LEAN UNNECESSARILY CLOSE TO THE AIR BAG
- DO NOT PLACE ANY OBJECTS OVER THE AIR BAG OR BETWEEN THE AIR BAG AND YOURSELF.
- SEE THE OWNER'S MANUAL FOR FURTHER INFORMATION AND EXPLANATIONS.

PRÉCAUTION :
 POUR ÉVITER DES BLESSURES GRAVES :

- POUR PROFITER D'UNE PROTECTION MAXIMALE LORS D'UNE COLLISION, BOUCLEZ TOUJOURS VOTRE CEINTURE DE SÉCURITÉ.
- N'INSTALLEZ JAMAIS UN SIÈGE POUR ENFANTS FAISANT FACE À L'ARRIÈRE SUR LE SIÈGE DU PASSAGER AVANT.
- NE VOUS APPUYEZ PAS ET NE VOUS ASSOYEZ PAS PRES DU COUSSIN GONFLABLE
- NE DEPOSEZ AUCUN OBJET SUR LE COUSSIN GONFLABLE OU ENTRE LE COUSSIN GONFLABLE ET VOUS.
- LISEZ LE GUIDE UTILISATEUR POUR DE PLUS AMPLES RENSEIGNEMENTS.

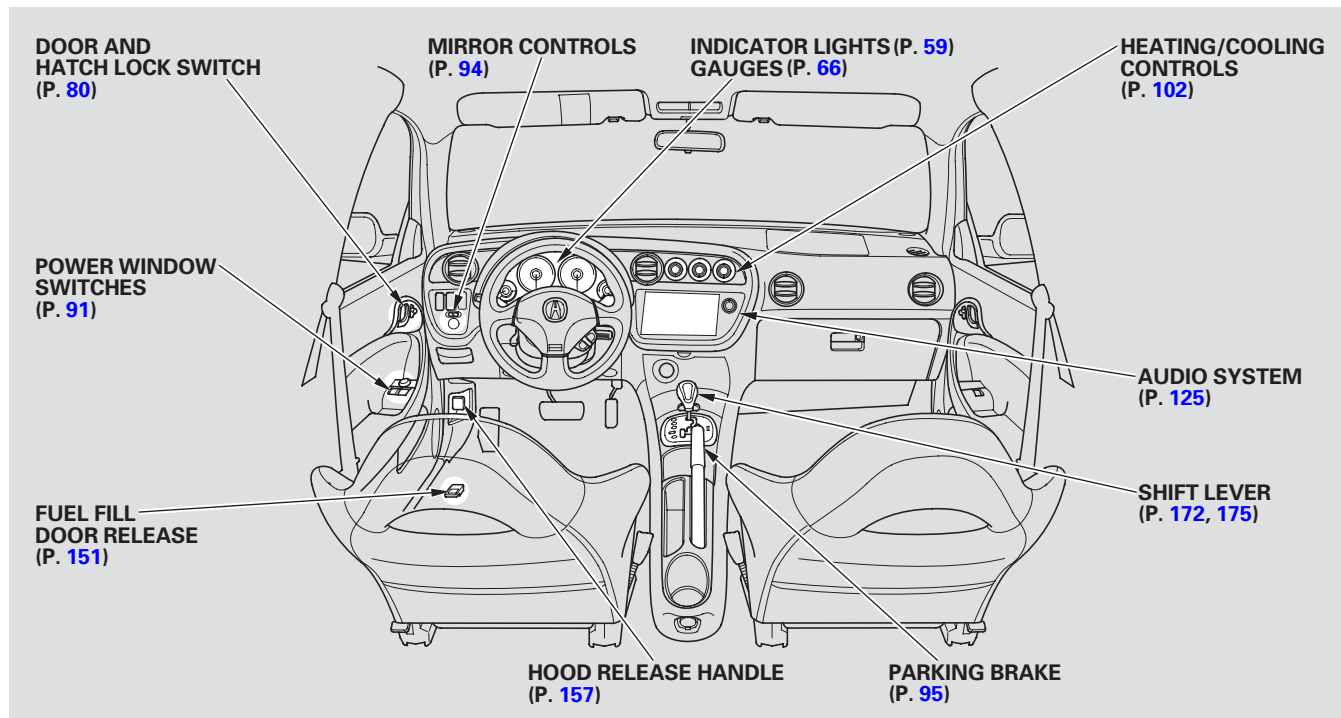


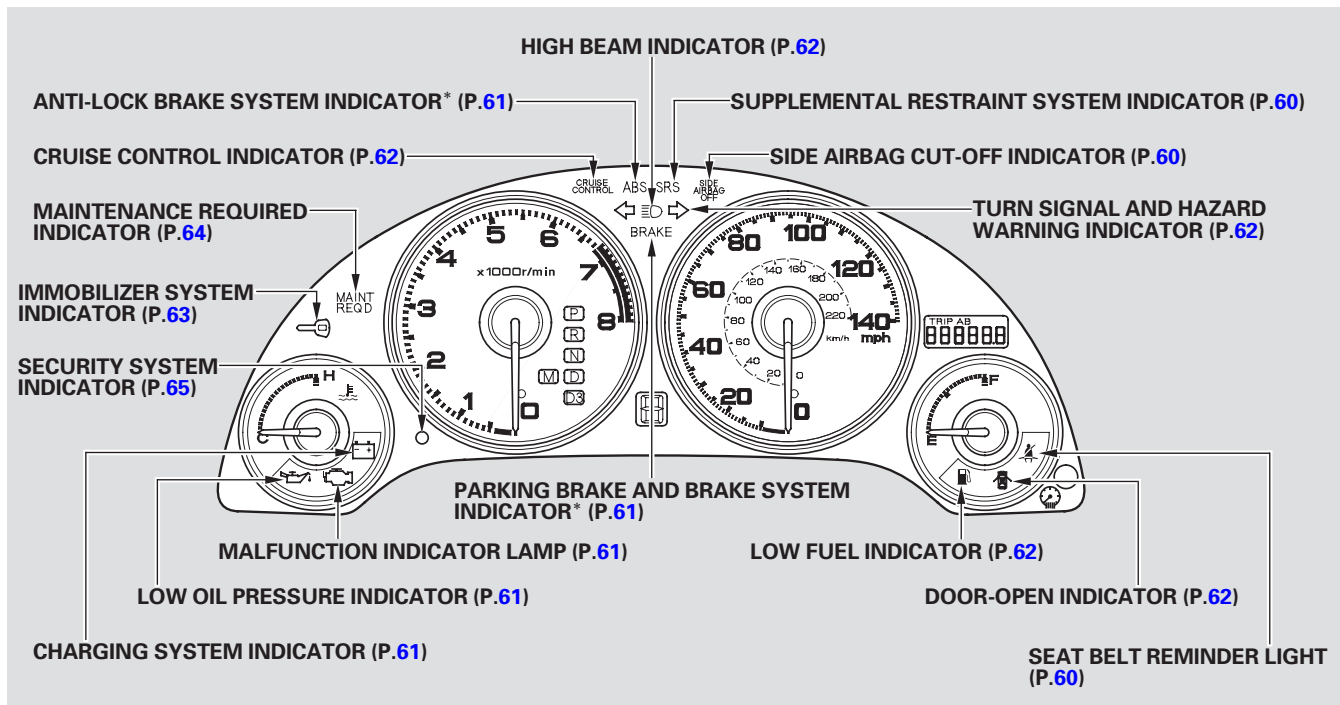
CONTINUED

This section gives information about the controls and displays that contribute to the daily operation of your Acura. All the essential controls are within easy reach.

Control Locations	58	Security System Indicator	65	Power Door/Hatch Locks	80
Indicator Lights.....	59	Gauges	66	Hatch.....	80
Maintenance Required		Speedometer	66	Remote Transmitter.....	81
Indicator.....	64	Tachometer	66	Glove Box	84
		Odometer.....	66	Seat Adjustments.....	85
		Trip Meter	67	Front Seat Adjustments.....	85
		Fuel Gauge	67	Driver's Seat Height	
		Temperature Gauge.....	67	Adjustment.....	86
		Controls Near the Steering		Driver's Lumbar Support.....	86
		Wheel	68	Rear Seat Access	86
		Headlights	69	Folding Rear Seat	87
		Daytime Running Lights.....	69	Seat Heaters	88
		Instrument Panel Brightness.....	70	Cargo Area Cover	89
		Turn Signals	70	Power Windows	90
		Windshield Wipers	71	Moonroof	93
		Windshield Washers	72	Mirrors.....	94
		Rear Window Wiper and		Adjusting the Power Mirrors	94
		Washer.....	72	Parking Brake	95
		Hazard Warning.....	73	Vanity Mirror	96
		Rear Window Defogger	73	Coat Hook.....	96
		Steering Wheel Adjustment	74	Beverage Holder.....	97
		Keys and Locks.....	75	Console Compartment	98
		Keys.....	75	Accessory Power Socket	99
		Immobilizer System.....	76	Interior Lights.....	99
		Ignition Switch	77		
		Door Locks.....	79		

Control Locations





* The U.S. instrument panel is shown. Differences for the Canadian models are noted in the text.

Indicator Lights

The instrument panel has many indicators to give you important information about your car.



Seat Belt Reminder Light

This indicator lights when you turn the ignition switch ON (II). It is a reminder to you and your passengers to protect yourselves by fastening the seat belts. A beeper also sounds if you have not fastened your seat belt.

If you do not fasten your seat belt, the beeper will stop after a few seconds but the light stays on until you do. Both the light and the beeper stay off if you fasten your seat belt before turning on the ignition.

SRS

Supplemental Restraint System Indicator

This indicator lights when you turn the ignition switch ON (II). If it comes on at any other time, it indicates a potential problem with your front airbags. This light will also alert you to a potential problem with your side airbags, passenger's side airbag automatic cutoff system or automatic seat belt tensioners. For complete information, see page [51](#).

SIDE AIRBAG OFF

Side Airbag Cutoff Indicator

This indicator lights when you turn the ignition switch ON (II). If it comes on at any other time, it indicates that the passenger's side airbag has automatically shut off. For complete information, see page [52](#).



This light has two functions:

1. This indicator comes on when you turn the ignition switch ON (II). It is a reminder to check the parking brake. Driving with the parking brake not fully released can damage the brakes and tires.
2. If the indicator remains lit after you have fully released the parking brake while the engine is running, or if it comes on while driving, it can indicate a problem in the brake system. For complete information, see page [278](#).



Only on models equipped with ABS (see page [181](#))

This light normally comes on for a few seconds when you turn the ignition switch ON (II), and when the ignition switch is turned to START (III).

If this light comes on at any other time, there is a problem in the ABS. If this happens, take the car to your dealer to have it checked. With the light on, your car still has normal braking ability but no anti-lock. For complete information, see page [183](#).



If this light comes on when the engine is running, the battery is not being charged. For complete information, see page [275](#).



The engine can be severely damaged if this light flashes or stays on when the engine is running. For complete information, see page [274](#).



See page [276](#).

Indicator Lights



Turn Signal and Hazard Warning Indicators

The left or right turn signal light blinks when you signal a lane change or turn. If the light does not blink or blinks rapidly, it usually means one of the turn signal bulbs is burned out (see page 246). Replace the bulb as soon as possible, since other drivers cannot see that you are signaling.

When you turn on the Hazard Warning switch, both turn signal lights blink. All turn signals on the outside of the car should flash.



Cruise Control Indicator

Only on models equipped with Cruise Control System

This lights when you set the cruise control. See page 149 for information on operating the cruise control.



Door-open Indicator

This light comes on if either door is not closed tightly.



Low Fuel Indicator

This light comes on as a reminder that you must refuel soon.



High Beam Indicator

This light comes on with the high beam headlights. See page 69 for information on the headlight controls.



Immobilizer System Indicator

This indicator comes on for a few seconds when you turn the ignition switch ON (II). It will then go off if you have inserted a properly-coded ignition key. If it is not a properly-coded key, the indicator will blink and the engine will not start (see page [76](#)).

This indicator also blinks several times when you turn the ignition switch from ON (II) to ACCESSORY (I) or LOCK (0).

DRL

“Daytime Running Lights” Indicator

Canadian models only

This indicator lights when you turn the ignition switch to ON (II) with the headlight switch off and the parking brake set. It should go off if you turn on the headlights or release the parking brake. If it comes on at any other time, it means there is a problem with the DRL. There may also be a problem with the high beam headlights.



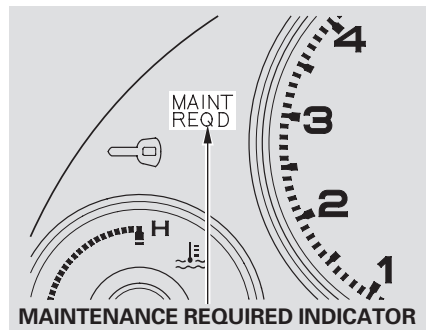
Washer Level Indicator

Canadian models only

This light comes on when the washer fluid level is low. Add washer fluid when you see this light come on (see page [216](#)).

Indicator Lights

Maintenance Required Indicator



This indicator reminds you that it is time to take your car in for scheduled maintenance.

Refer to the Maintenance Schedules for Normal and Severe Driving Conditions on pages [198](#)–[202](#) .

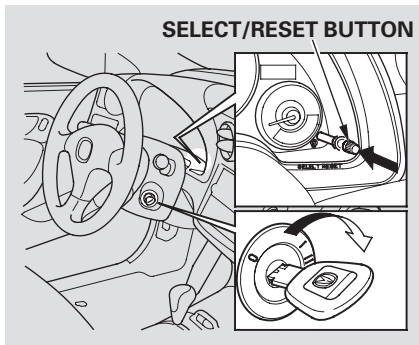
For the first 8,000 miles (12,800 km) after the Maintenance Required Indicator is reset, it will come on for two seconds when you turn the ignition switch to ON (II).

Between 8,000 miles (12,800 km) and 10,000 miles (16,000 km) this indicator will light for two seconds when you first turn the ignition switch to ON (II), and then flash for ten seconds.

If you exceed 10,000 miles (16,000 km) without having the scheduled maintenance performed, this indicator will remain on as a constant reminder.

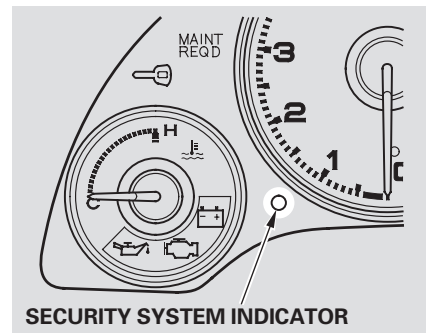
Your dealer will reset this indicator after completing the scheduled maintenance. If this maintenance is done by someone other than your Acura dealer, reset the indicator as follows.

1. Turn off the engine.



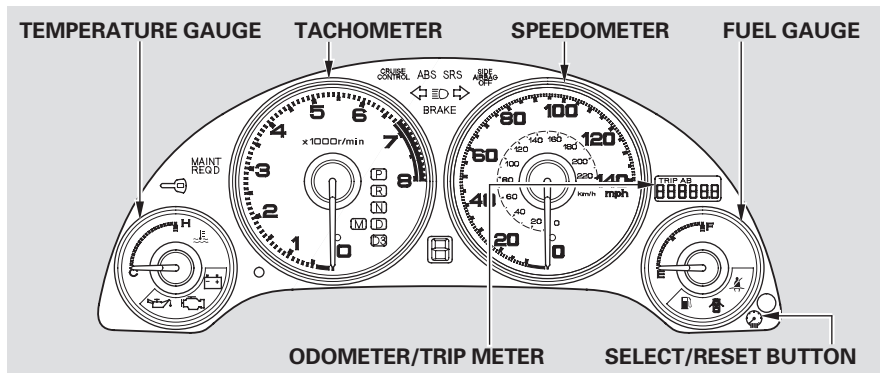
2. Press and hold the select/reset button in the instrument panel, then turn the ignition switch ON (II).
3. Hold the button until the indicator resets (approximately ten seconds).

Security System Indicator



This indicator lights when the security system is set. See page [148](#) for complete information on the security system.

Gauges



Speedometer

U.S. Models

This shows your speed in miles per hour (mph). The smaller inner numbers are the speed in kilometers per hour (km/h).

Canadian Models

This shows your speed in kilometers per hour (km/h). The smaller inner numbers are the speed in miles per hour (mph).

Tachometer

The tachometer shows the engine speed in revolutions per minute (rpm). To protect the engine from damage, never drive with the tachometer needle in the red zone.

Odometer

The odometer shows the total distance your car has been driven. It measures miles in U.S. models and kilometers in Canadian models. It is illegal under U.S. federal law and Canadian provincial regulations to disconnect, reset, or alter the odometer with the intent to change the number of miles or kilometers indicated.

Trip Meter

This meter shows the number of miles (U.S.) or kilometers (Canada) driven since you last reset it.

There are two trip meters: Trip A and Trip B. Switch between these displays and the odometer by pressing the Select/Reset button repeatedly. Each trip meter works independently, so you can keep track of two different distances.

To reset a trip meter, display it, and then press and hold the Select/Reset button until the number resets to “0.0”.

Fuel Gauge

This shows how much fuel you have. It is most accurate when the car is on level ground. It may show slightly more or less than the actual amount when you are driving on curvy or hilly roads.

The needle returns to the bottom after you turn off the ignition. The gauge shows the fuel level reading immediately after you turn the ignition switch back ON (II).

NOTICE

Avoid driving with an extremely low fuel level. Running out of fuel could cause the engine to misfire, damaging the catalytic converter.

Temperature Gauge

This shows the temperature of the engine’s coolant. During normal operation, the pointer should rise from the bottom white mark to about the middle of the gauge. In severe driving conditions, such as very hot weather or a long period of uphill driving, the pointer may rise to near the upper white mark. If it reaches the red (Hot) mark, pull safely to the side of the road. Turn to page [212](#) for instructions and precautions on checking the engine’s cooling system.

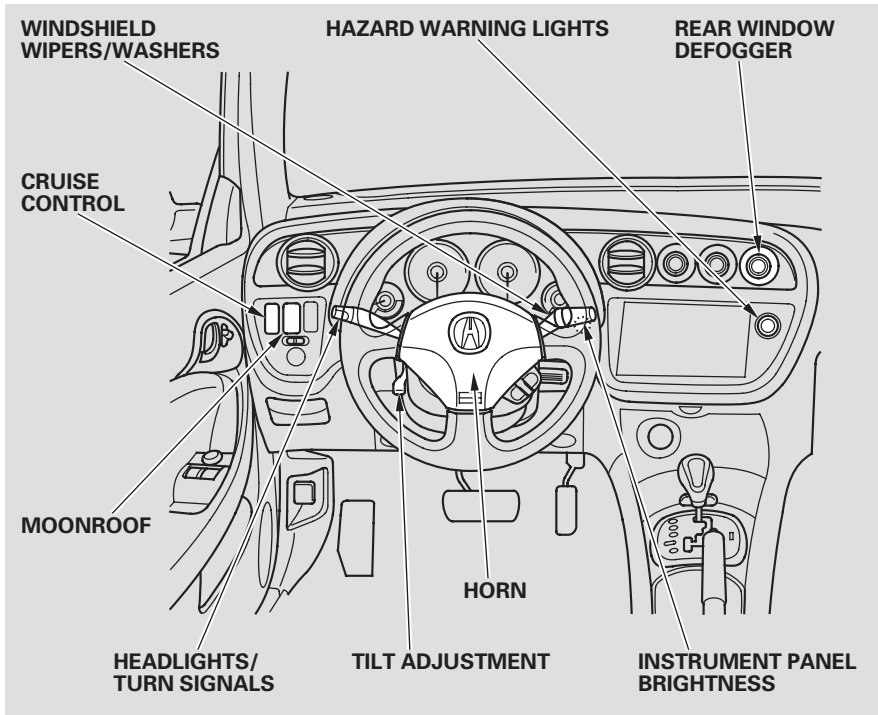
Controls Near the Steering Wheel

The two levers on the steering column contain controls for driving features you use most often. The left lever controls the turn signals, headlights, and high beams. The right lever controls the windshield washers and wipers.

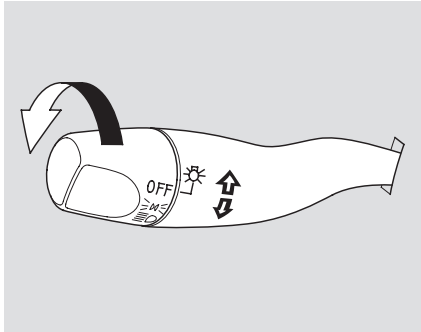
The controls on the dashboard to the right of the steering column are for the instrument panel brightness, hazard warning lights and rear window defogger.


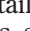
The moonroof switch and cruise control switch are to the left of the steering column.

The tilt adjustment lever on the underside of the steering column allows you to tilt the steering wheel.

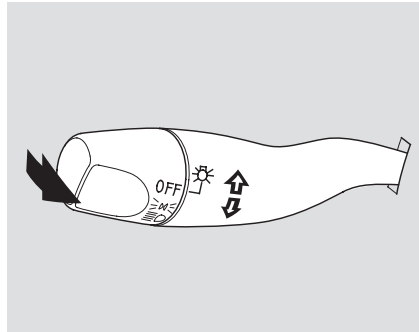


Headlights



The rotating switch on the left lever controls the lights. Turning this switch to the “ ” position turns on the parking lights, taillights, instrument panel lights, side-marker lights, and rear license plate lights. Turning the switch to the “ ” position turns on the headlights.

If you leave the lights on with the ignition switch in ACCESSORY (I) or LOCK (0), you will hear a reminder beeper when you open the driver’s door.



To change between low beams and high beams, pull the turn signal lever until you hear a click, then let go. The blue high beam indicator will light (see page 62).

To flash the high beams, pull the turn signal lever back lightly, then release it. The high beams will come on and go off.

The high beams will stay on for as long as you hold the lever back, no matter what position the headlight switch is in.

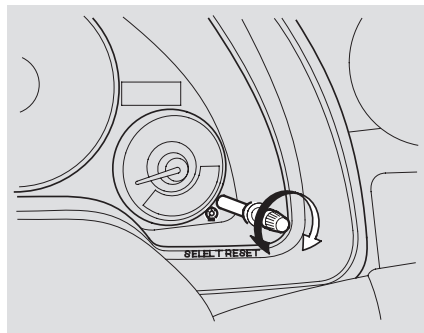
Daytime Running Lights (Canadian Models)

With the headlight switch off, the high beam headlights come on with reduced brightness when you turn the ignition switch to ON (II) and release the parking brake. They remain on until you turn the ignition off, even if you set the parking brake.

The headlights revert to normal operation when you turn them on with the switch.

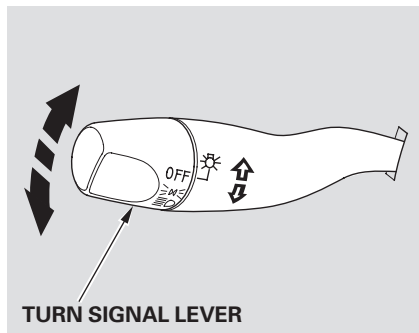
Controls Near the Steering Wheel

Instrument Panel Brightness



The knob on the instrument panel controls the brightness of the instrument panel lights. Turn the knob to adjust the brightness.

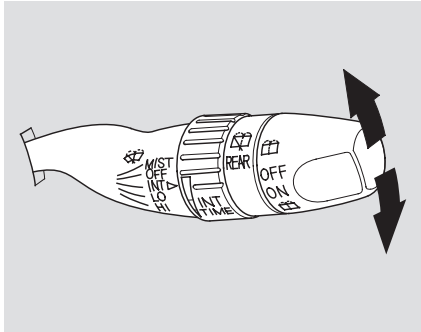
Turn Signals



Signal a turn or lane change with this lever. Push down on the lever to signal a left turn, and up to signal a right turn. If you push it up or down all the way, the turn signal continues to blink even when you release the lever. It shuts off automatically as you complete the turn.

To signal a lane change, push lightly on the turn signal lever in the proper direction and hold it. The lever will return to the center position as soon as you release it.

Windshield Wipers



This lever controls the windshield wipers and washers. It has five positions:

MIST: mist

OFF: off

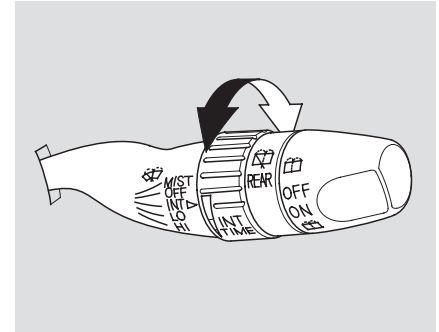
INT: intermittent

LO: low speed

HI: high speed

To select a position, push the lever up or down.

In intermittent, the wipers operate every few seconds. The sweep interval will change slightly with speed; getting shorter as you drive faster. In low speed and high speed, the wipers run continuously.

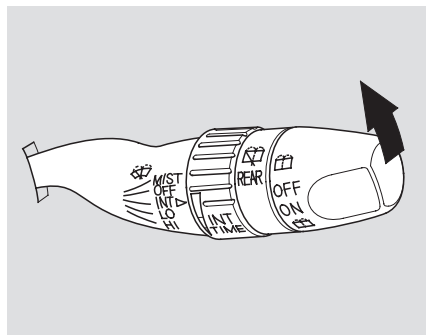


You can vary how often the wipers sweep the windshield by turning the INT TIME ring next to the rotary switch.

If you turn the INT TIME ring to the shortest delay, the wipers will change from intermittent to low speed operation when vehicle speed exceeds 12 mph (20 km/h).

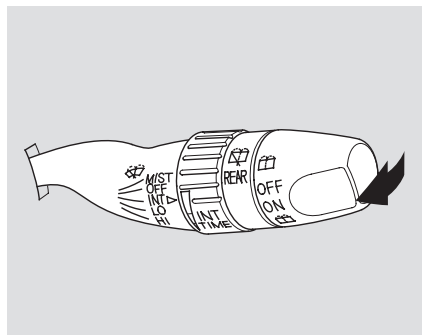
CONTINUED

Controls Near the Steering Wheel



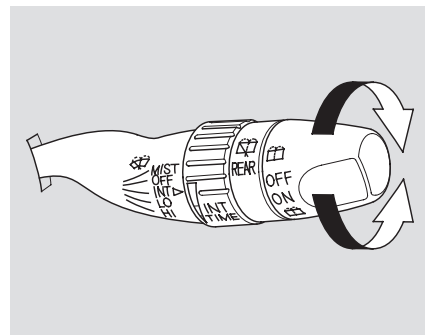
To operate the wipers in mist mode, push the control lever up from the OFF position. The wipers run at high speed until you release the lever. This gives you a quick way to clear the windshield.

Windshield Washers



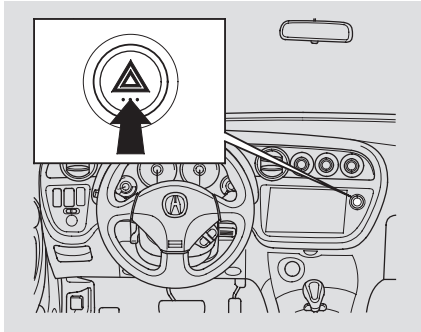
To clean the windshield, pull back on the wiper control lever. The washers spray until you release the lever.

Rear Window Wiper and Washer



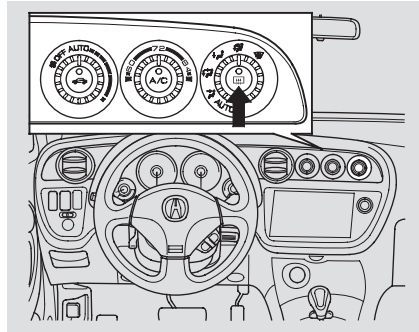
To turn on the rear window wiper, turn the rotary switch clockwise to ON. To also use the rear window washer, turn the rotary switch clockwise past ON. The washer will spray as long as you hold the rotary switch in this position. If you turn the rotary switch counterclockwise from the OFF position, the washer will spray without activating the rear window wiper.

Hazard Warning



Push the red button to turn on the hazard warning lights (four-way flashers). This causes all four outside turn signals and both indicators in the instrument panel to flash. Use the hazard warning lights if you need to park in a dangerous area near heavy traffic, or if your car is disabled.

Rear Window Defogger



The rear window defogger will clear fog, frost, and thin ice from the window. Push the defogger button to turn it on and off. The light in the button lights to show the defogger is on. If you do not turn it off, the defogger will shut itself off after about 25 minutes. It also shuts off when you turn off the ignition. You have to turn it on again when you restart the car.

Make sure the rear window is clear and you have good visibility before starting to drive.

The defogger wires on the inside of the rear window can be accidentally damaged. When cleaning the glass, always wipe side to side.

Controls Near the Steering Wheel

Steering Wheel Adjustment

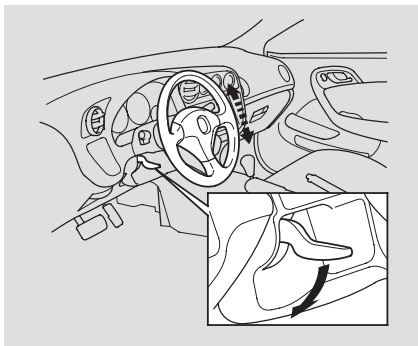
See page 17 for important safety information about how to properly position the steering wheel.

Make any steering wheel adjustment before you start driving.

⚠ WARNING

Adjusting the steering wheel position while driving may cause you to lose control of the car and be seriously injured in a crash.

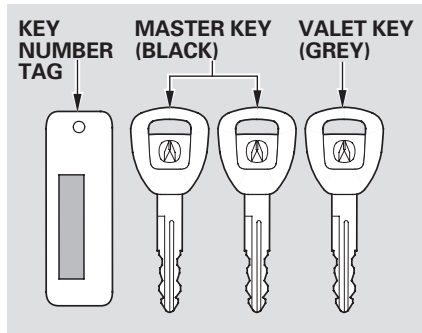
Adjust the steering wheel only when the car is stopped.



To adjust the steering wheel upward or downward:

1. Push the lever under the steering column all the way down.
2. Move the steering wheel to the desired position, making sure the wheel points toward your chest, not toward your face. Make sure you can see the instrument panel gauges and the indicator lights.
3. Push the lever up to lock the steering wheel in that position.
4. Make sure you have securely locked the steering wheel in place by trying to move it up and down.

Keys



Your car comes with two master keys and a valet key. The master key fits all the locks on your car:

- Ignition
- Doors
- Glove box

The valet key works only in the ignition and the door locks. You can keep the glove box locked when you leave your car and the valet key at a parking facility.

You should have received a key number tag with your keys. You will need this key number if you ever have to get a lost key replaced. Keep the tag stored in a safe place. If you need to replace a key, use only an Acura-approved key blank.

These keys contain electronic circuits that are activated by the Immobilizer System. They will not work to start the engine if the circuits are damaged.

- Protect the keys from direct sunlight, high temperature, and high humidity.
- Do not drop the keys or set heavy objects on them.
- Keep the keys away from liquids. If they get wet, dry them immediately with a soft cloth.

The keys do not contain batteries. Do not try to take them apart.

CONTINUED

Keys and Locks

Remote Transmitter

Your car also comes with two remote transmitters; see page 82 for an explanation of the operation.

Immobilizer System

The Immobilizer System protects your car from theft. A properly-coded master or valet key must be used in the ignition switch for the engine to start. If an improperly-coded key (or other device) is used, the engine's fuel system is disabled.

When you turn the ignition switch to ON (II), the Immobilizer System indicator should come on for a few seconds, then go out. If the indicator starts to blink, it means the system does not recognize the coding of the key. Turn the ignition switch to LOCK (0), remove the key, reinsert it, and turn the switch to ON (II) again.

The system may not recognize your key's coding if another immobilizer key or other metal object is near the ignition switch when you insert the key. To make sure the system recognizes the key code:

- Do not keep other immobilizer keys on the same key ring.
- Use a plastic or leather key fob, not metal.
- Keep other keys away from your car's key and the ignition switch while trying to start the engine.

If the system repeatedly does not recognize the coding of your key, contact your Acura dealer.

The Immobilizer System indicator will also blink several times when you turn the ignition switch from ON (II) to ACCESSORY (I) or LOCK (0).

Do not attempt to alter this system or add other devices to it. Electrical problems could result that may make your car undriveable.

If you have lost your key and you cannot start the engine, contact your Acura dealer.

As required by the FCC:

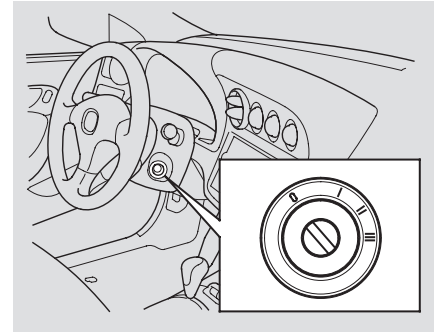
This device complies with Part 15 of the FCC rules. Operation is subject to the following two conditions: (1) This device may not cause harmful interference, and (2) this device must accept any interference received, including interference that may cause undesired operation.

Changes or modifications not expressly approved by the party responsible for compliance could void the user's authority to operate the equipment.

This device complies with Industry Canada Standard RSS-210.

Operation is subject to the following two conditions: (1) this device may not cause interference, and (2) this device must accept any interference that may cause undesired operation of the device.

Ignition Switch



The ignition switch is on the right side of the steering column. It has four positions:

- LOCK (0)
- ACCESSORY (I)
- ON (II)
- START (III)

CONTINUED

Keys and Locks

LOCK (0) – You can insert or remove the key only in this position. To switch from ACCESSORY to LOCK, you must push the key in slightly as you turn it. If your car has an automatic transmission, the shift lever must also be in Park. The anti-theft lock will lock the steering column when you remove the key.

If the front wheels are turned, the anti-theft lock may sometimes make it difficult to turn the key from LOCK to ACCESSORY. Firmly turn the steering wheel to the left or to the right as you turn the key.

WARNING

Removing the key from the ignition switch while driving locks the steering. This can cause you to lose control.

Remove the key from the ignition switch only when parked.

ACCESSORY (I) – In this position, you can operate the audio system and the accessory power socket.

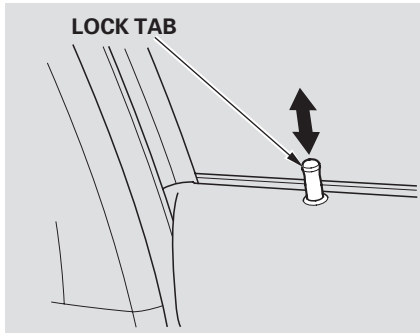
ON (II) – This is the normal key position when driving. All features and accessories on the car are usable. Several of the lights on the instrument panel come on as a test when you turn the ignition switch from ACCESSORY to ON.

START (III) – Use this position only to start the engine. The switch returns to ON (II) when you let go of the key.

The engine will not start if the Immobilizer System does not recognize the key's coding (see page [76](#)).

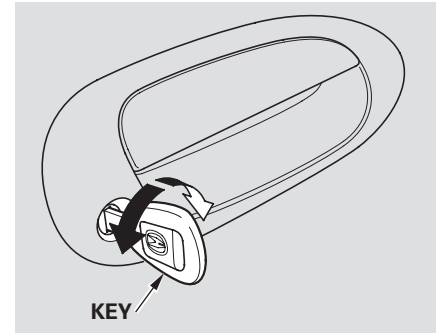
You will hear a reminder beeper if you leave the key in the ignition switch in the LOCK (0) or ACCESSORY (I) position and open the driver's door. Remove the key to turn off the beeper.

Door Locks



Each door has a lock tab at the top of the door. When you push down the lock tab on the driver's door, both doors and the hatch lock. Pulling up the lock tab on the driver's door only unlocks that door. The lock tab on the passenger's door only locks and unlocks that door.

To lock the passenger's door when getting out of the car, push the lock tab down and close the door. To lock the driver's door, pull the inside or outside door handle and push the lock tab down. Release the handle, then close the door.

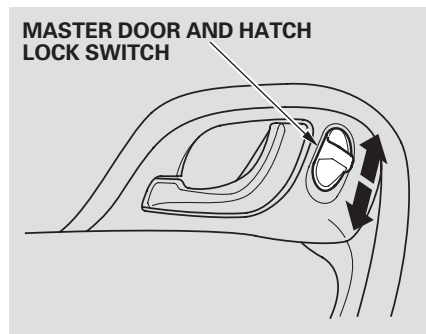


Both doors and the hatch can be locked from the outside by using the key in either door.

To unlock only the driver's door from the outside, insert the key in the driver's door lock, turn the key and release it. If you turn the key and hold it, both doors and the hatch will unlock. Both doors and the hatch will unlock when you unlock the passenger's door with the key.

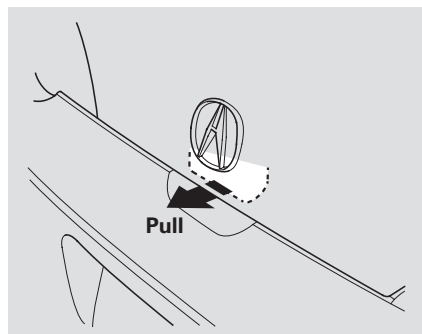
Keys and Locks

Power Door/Hatch Locks



Each door has a master door and hatch lock switch. Either switch locks and unlocks both doors and the hatch. Push the switch down to lock both doors and the hatch. Push up to unlock them.

Hatch



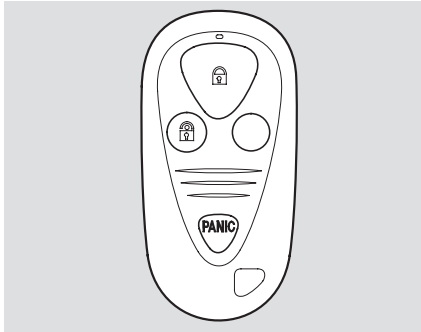
To open the hatch, pull the handle, then lift up the hatch.

To close the hatch, press down on the back edge.

The hatch will not lock or unlock when the battery is disconnected.

See page [164](#) for cargo loading and weight limit information. Keep the hatch closed at all times while driving to avoid damaging the hatch and to prevent exhaust gas from getting into the interior. See **Carbon Monoxide Hazard** on page [54](#).

Remote Transmitter



You can lock and unlock your car with the remote transmitter. When you push the LOCK button, both doors and the hatch lock.

When you push the UNLOCK button once, only the driver's door unlocks. The passenger's door and the hatch unlock when you push the button a second time. The parking lights, side marker lights, taillights and license plate light flash twice.

If you unlock the doors and the hatch with the remote transmitter, but do not open either door or the hatch within 30 seconds, the doors and the hatch automatically relock and the security system sets.

The ceiling light (if the ceiling light switch is in the center position) will come on when you press the UNLOCK button. If you do not open either door or the hatch, the light will go out in about 30 seconds and the doors and the hatch will automatically relock. If you relock the doors and the hatch with the remote transmitter before 30 seconds have elapsed, the light will go off immediately.

You cannot lock the doors and the hatch with the remote transmitter if any door or the hatch is not fully closed. You cannot lock or unlock the doors and the hatch with the key in the ignition switch.

CONTINUED

Keys and Locks

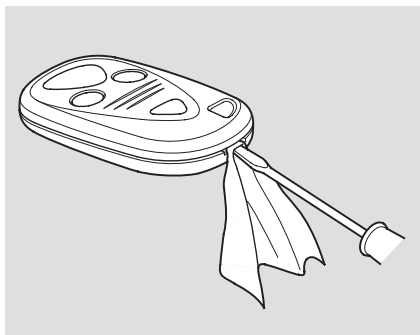
Panic Mode

Panic mode allows you to remotely activate your vehicle's horn and lights to attract attention. When activated, the horn will sound, and the headlights, parking lights, side marker lights, taillights and instrument panel lights will flash for about 30 seconds. To activate panic mode, press and hold the PANIC button for about one second.

To cancel Panic mode before 30 seconds, press any button on the remote transmitter. You can also turn the ignition switch to ON (II).

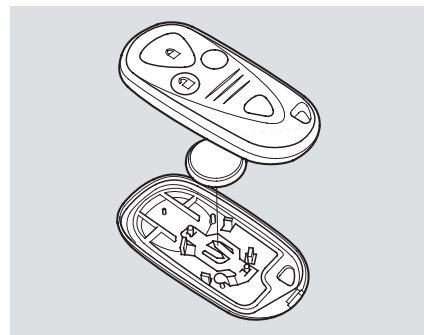
Panic mode will not activate if the key is in the ON (II) position.

Replacing the Battery



When the remote transmitter's battery begins to get weak, it may take several pushes on the button to lock or unlock the doors and the tailgate, and the LED will get dim. Replace the battery as soon as possible.

Battery type: CR2025



To replace the battery, place a cloth on the edge of the transmitter and remove the upper half by carefully prying on the edge with a small flat-tip screwdriver.

Remove the old battery and note the polarity. Make sure the polarity of the new battery is the same (+ side facing up), then insert it in the transmitter.

Snap the two halves of the transmitter case back together.

Transmitter Care

Avoid severe shock to the transmitter, such as dropping or throwing it. Also, protect it from extreme hot or cold temperatures.

Clean the transmitter case with a soft cloth. Do not use strong cleaners or solvents that could harm the case. Immersing the transmitter in any liquid will harm the transmitter and cause it to not function properly.

If you lose a transmitter, you will need to have the replacement programmed to your vehicle's system by your Acura dealer. Any other transmitters you have will also need to be reprogrammed.

As required by the FCC:

This device complies with Part 15 of the FCC rules. Operation is subject to the following two conditions: (1) This device may not cause harmful interference, and (2) this device must accept any interference received, including interference that may cause undesired operation.

Changes or modifications not expressly approved by the party responsible for compliance could void the user's authority to operate the equipment.

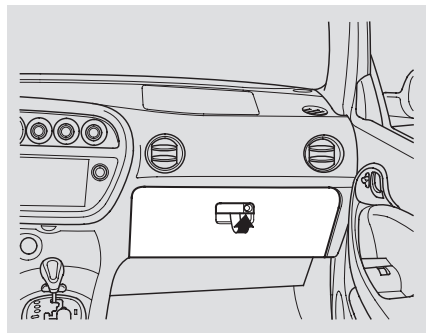
This device complies with Industry Canada Standard RSS-210.

Operation is subject to the following two conditions: (1) this device may not cause interference, and (2) this device must accept any interference that may cause undesired operation of the device.

CONTINUED

Keys and Locks

Glove Box



Open the glove box by pulling the bottom of the handle. Close it with a firm push. Lock or unlock the glove box with the master key.

⚠ WARNING

An open glove box can cause serious injury to your passenger in a crash, even if the passenger is wearing the seat belt.

Always keep the glove box closed while driving.

U.S.: All models

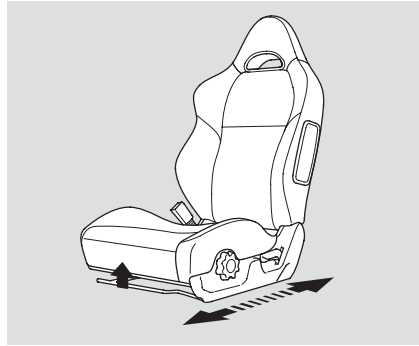
Canada: Premium and Type-S models only

The glove box light comes on only when the instrument panel lights are on.

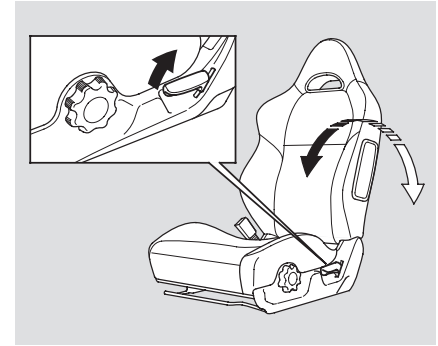
Front Seat Adjustments

See pages 13 – 14 for important safety information and warnings about how to properly position seats and seat-backs.

Make all seat adjustments before you start driving.



To adjust the seat forward and backward, pull up on the bar under the seat cushion's front edge. Move the seat to the desired position and release the bar. Try to move the seat to make sure it is locked in position.



To change the angle of the seat-back, pull up on the lever on the outside of the seat bottom. Move the seat-back to the desired position and release the lever. Let the seat-back latch into the new position.

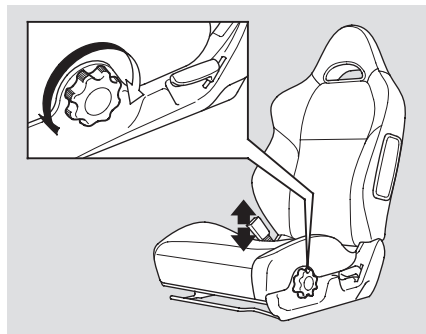
CONTINUED

Seat Adjustments

Driver's Seat Height Adjustment

U.S.: All models

Canada: Premium and Type-S models only

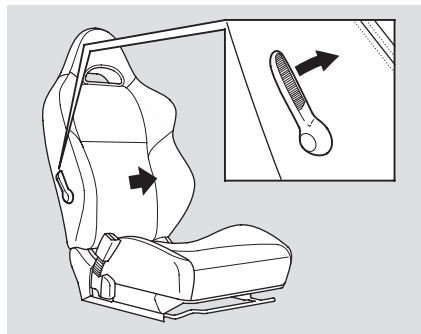


The height of your driver's seat is adjustable. Turn the dial on the outside of the seat cushion to change the height of the seat bottom.

Driver's Lumbar Support

U.S.: All models

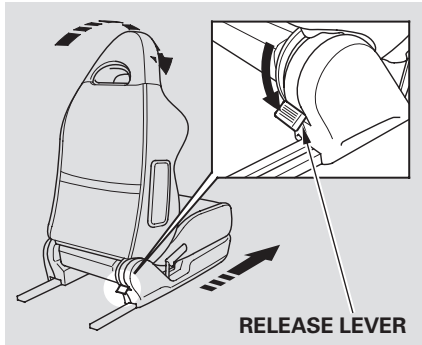
Canada: Premium and Type-S models only



Vary the lumbar support by moving the lever on the right side of the seat-back.

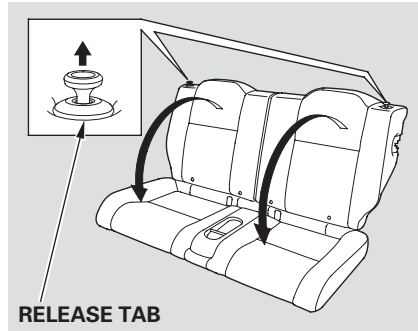
Rear Seat Access

To get into the back seat on the driver's side, pull up on the seat-back adjustment lever.



To get into the rear seat on the passenger's side, push down on the release lever at the base of the seat-back. The seat-back will tilt forward, and the seat will slide forward to allow easier access to the rear seat.

Folding Rear Seat



The back of the rear seat folds down to give you more cargo space. Each side folds down separately. With only half the seat folded, you can still carry a passenger in the back seat.

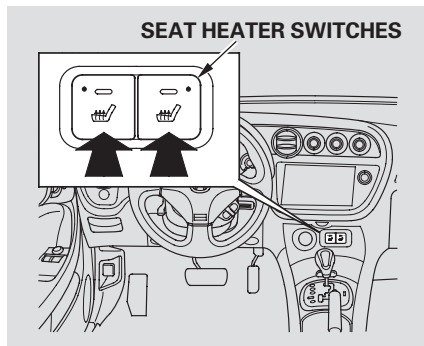
To unlatch either side of the seat-back, pull up on the release tab. Move the seat belt out of the way and fold the seat-back down.

To lock the seat-back upright, push the seat-back firmly against its latch. Tug on the seat-back to make sure it is latched.

Do not put any heavy items on the seat-back when it is folded.

Make sure all items in the cargo area are secured. Loose items can fly forward and cause injury if you have to brake hard. See **Carrying Cargo** on page [164](#) .

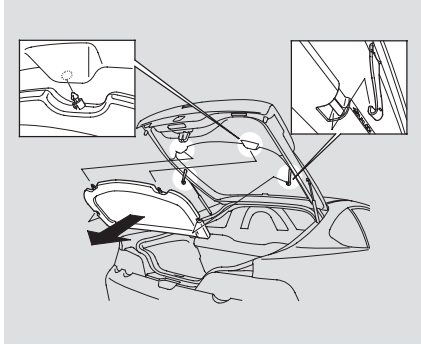
Seat Heaters



On Canadian models

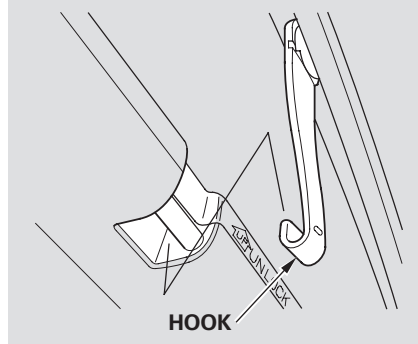
Both front seats are equipped with seat heaters. The ignition switch must be ON (II) to use them. Push the heater switch to turn the power on or off. The indicators will come on and remain on while the heaters are on.

Do not use the seat heaters when the engine is off or when idling for a long period of time. They can drain the battery, making your car hard to start.

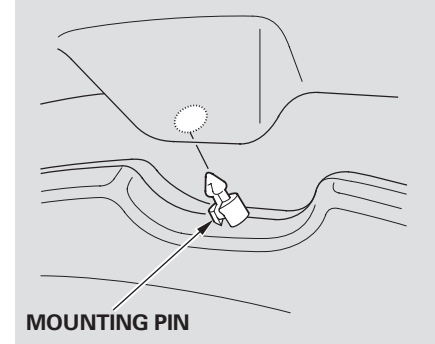


The cargo area cover may be removed to give you more cargo room.

1. Open the hatch.



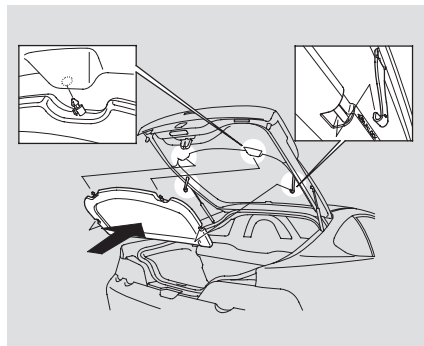
2. Push up on the sides of the cargo area cover to release the cover from the hooks.



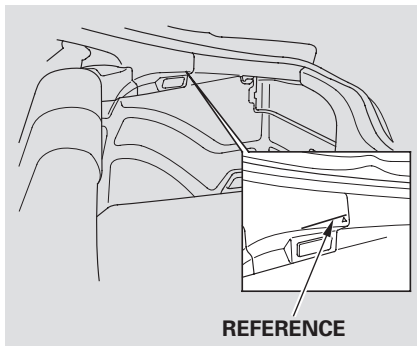
3. Pull down on the cover to remove the mounting pins from the holes in the hatch lining.

CONTINUED

Cargo Area Cover, Power Windows



Reverse this procedure to install the cargo area cover.



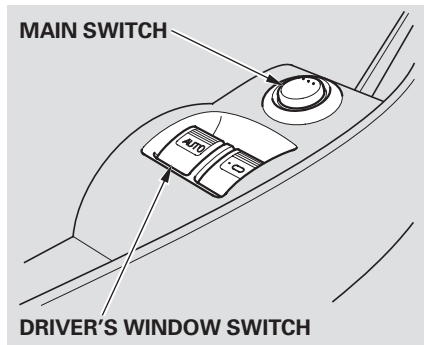
There is a reference line on the cargo area side panel. To avoid damaging the cargo cover, remove it if the cargo goes above that line.

Do not place items on the cargo area cover, or stack objects higher than the top of the back seat. They could block your view and be thrown about the vehicle during a crash or sudden stop.

Power Windows

Your car's windows are electrically-powered. Turn the ignition switch to ON (II) to raise or lower either window.

Each door has a switch that controls its window. To open the window, push the switch down and hold it. Release the switch when you want the window to stop. Close the window by pulling back on the switch and holding it.



The driver's armrest has a master power window control panel. To open the passenger's window, push down on the switch and hold it until the window reaches the desired position. To close the window, pull back on the window switch. Release the switch when the window gets to the position you want.

⚠ WARNING

Closing a power window on someone's hands or fingers can cause serious injury.

Make sure your passengers are away from the windows before closing them.

The master control panel also contains these extra features:

AUTO – To open the driver's window fully, push the window switch firmly down, then release it. The window automatically goes down all the way. To stop the window from going all the way down, pull back on the window switch briefly.

To close the driver's window fully, pull back the window switch firmly, then release it. The window automatically goes all the way up. To stop the window from going all the way up, push down on the window switch briefly.

CONTINUED

Power Windows

To open or close the driver's window partially, push down or pull back on the window switch lightly and hold it. The window will stop when you release the switch.

Auto Reverse

If the driver's window runs into any obstacle while it is closing automatically, it will stop, and then reverse direction. To close the window, remove the obstacle, then use the window switch again.

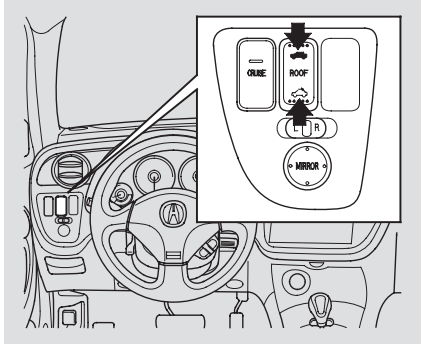
Auto reverse stops sensing when the window is almost closed. You should always check that all passengers and objects are away from the window before closing it.

The MAIN switch controls power to the passenger's window. With this switch off, the passenger's window cannot be raised or lowered. The MAIN switch does not affect the driver's window. Keep the MAIN switch off when you have children in the car so they do not injure themselves by operating the window unintentionally. The lights inside the switches come on when you turn the parking lights or headlights on and the ignition switch is ON (II).

If your car's battery is disconnected or goes dead, or the driver's window fuse is removed, the AUTO function will be disabled. The power window system needs to be reset after reconnecting the battery or installing the fuse. You should do the following.



1. Start the engine. Push down on the driver's window switch until the window is fully open.
2. Pull back on the driver's window switch to close the window completely, then hold the switch for a second or two more.

If the power windows do not operate properly after resetting, have your car checked by a Honda dealer.



U.S.: All models

Canada: Premium and Type-S models
only

Use the switch on the dashboard to open and close the moonroof. The ignition switch must be ON (II). Push and hold the  switch to open the moonroof. Release the switch when the moonroof reaches the desired position. To close the moonroof, press and hold the  switch.

⚠ WARNING

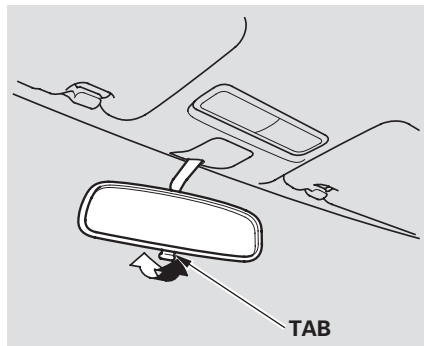
Closing the moonroof on someone's hands or fingers can cause serious injury.

Make sure passengers are clear of the moonroof before closing it.

NOTICE

If you try to open the moonroof in below-freezing temperatures, or when it is covered with snow or ice, you can damage the moonroof panel or motor.

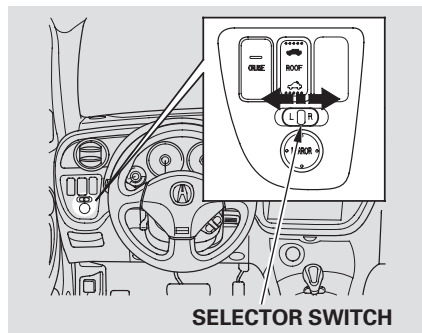
Mirrors



Keep the inside and outside mirrors clean and adjusted for best visibility. Be sure to adjust the mirrors before you start driving.

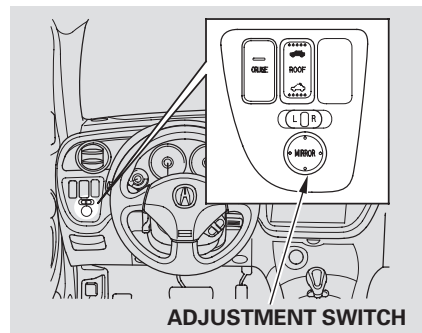
The inside mirror has day and night positions. The night position reduces glare from headlights behind you. Flip the tab on the bottom edge of the mirror to select the day or night position.

Adjusting the Power Mirrors

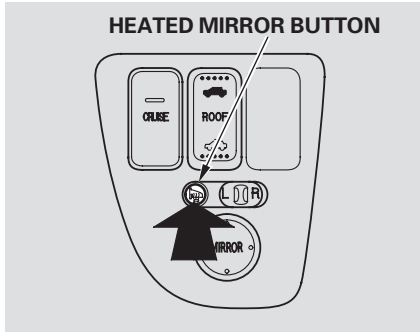


Adjust the outside mirrors with the adjustment switch on the left side of the dashboard:

1. Turn the ignition switch ON (II).
2. Move the selector switch to L (driver's side) or R (passenger's side).



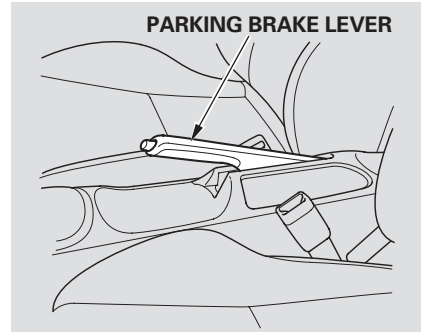
3. Push the appropriate edge of the adjustment switch to move the mirror right, left, up, or down.
4. When you finish, move the selector switch to the center (off) position. This turns off the adjustment switch so you can't move a mirror out of position by accidentally bumping the switch.



Canada: Premium and Type-S models only

The outside mirrors are heated to remove fog and frost. With the ignition switch ON (II), turn on the heaters by pressing the button. The light in the button comes on as a reminder. Press the button again to turn the heaters off.

Parking Brake



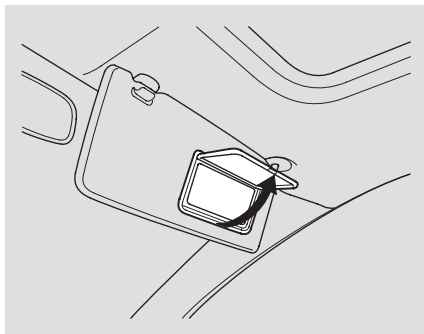
To apply the parking brake, pull the lever up fully. To release it, pull up slightly, push the button, and lower the lever. The parking brake light on the instrument panel should go out when the parking brake is fully released (see page 61).

NOTICE

Driving the car with the parking brake applied can damage the rear brakes and axles.

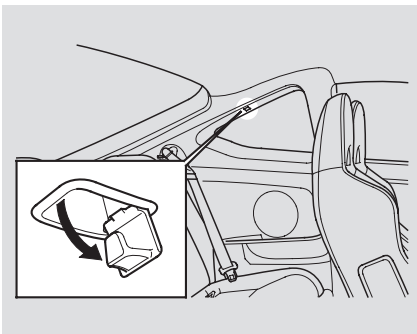
Vanity Mirror, Coat Hook

Vanity Mirror



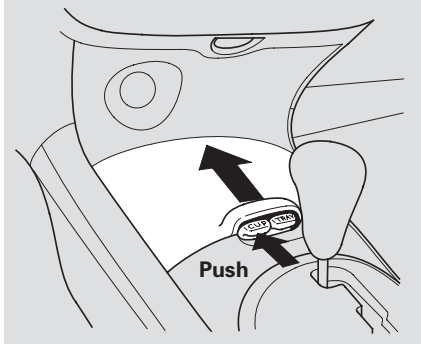
To use a vanity mirror on the back of the sun visor, pull up the cover.

Coat Hook

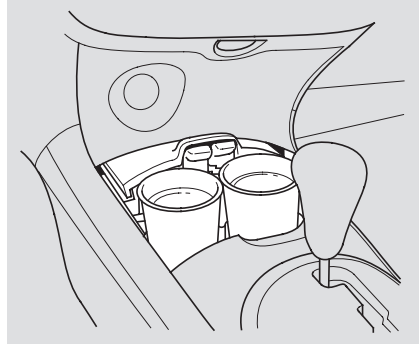


To use this coat hook, rotate the hook down. Close it with a firm push.

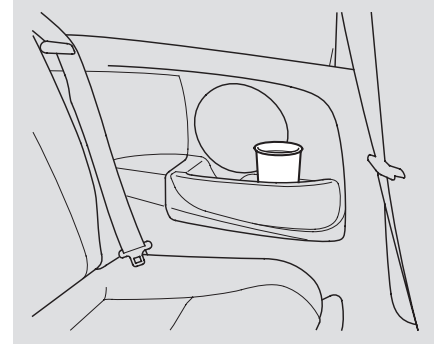
Beverage Holder



To open the beverage holder, push the left knob and slide the cover forward.



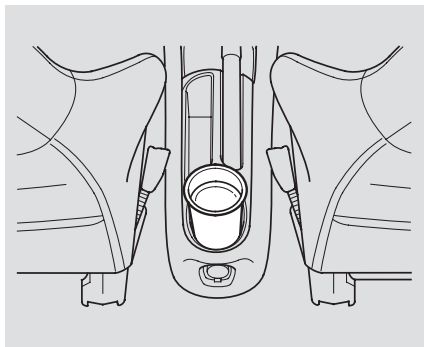
Be careful when you are using the beverage holder. A spilled liquid that is very hot can scald you or your passengers. Spilled liquids can also damage the upholstery, carpeting, and electrical components in the interior.



The beverage holders for the rear seat passenger's are located in the armrests.

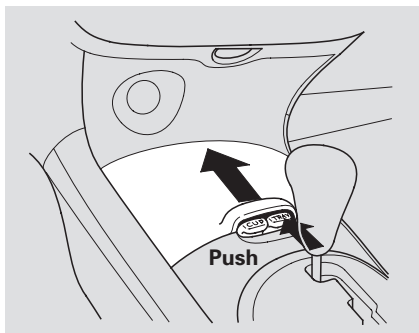
CONTINUED

Beverage Holder, Console Compartment

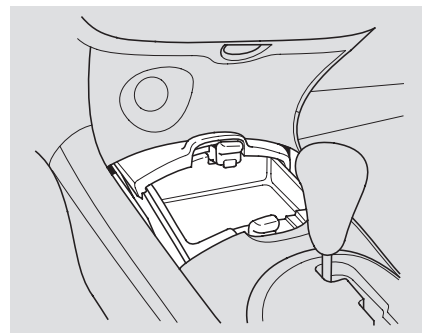


Another beverage holder is located in the center console behind the parking brake lever.

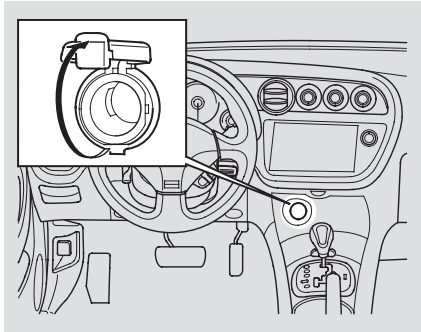
Console Compartment



To open the console compartment, push the right knob and slide the cover forward.



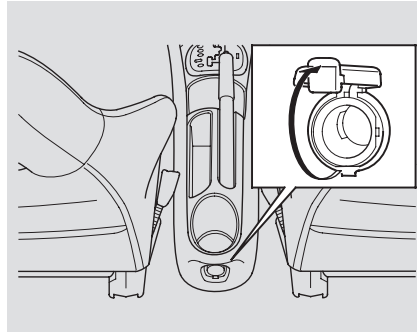
Accessory Power Socket



U.S. : Standard on all models

Canada : Rear power socket optional

There are two accessory power sockets, one is located in the front of the center console. The other is located at the rear of the console. To use either power socket, pull up the cover.

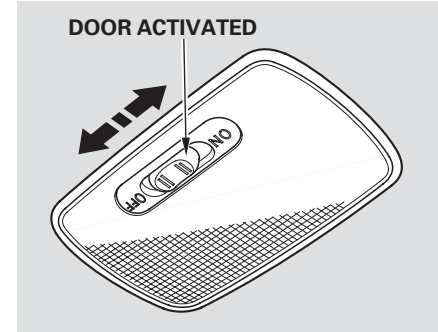


These sockets are intended to supply power for 12 volt DC accessories that are rated 120 watts or less (10 amps).

To power an accessory, the ignition switch must be in ACCESSORY (I) or ON (II).

They will not power an automotive type cigarette lighter element.

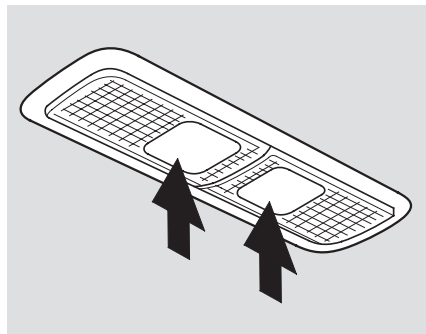
Ceiling Light



The ceiling light has a three-position switch. In the OFF position, the light does not come on. In the center position, the ceiling light comes on when you open either door. After the doors are closed tightly, the light dims slightly, then fades out in about 30 seconds. In the ON position, the ceiling light stays on continuously.

Interior Lights

Spotlights

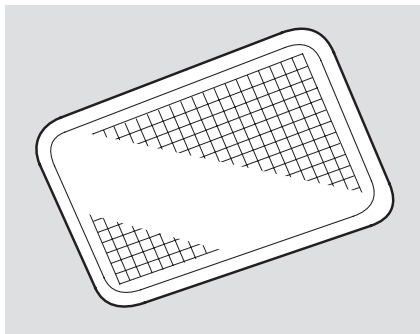


U.S.: All models

Canada: Premium and Type-S models only

Turn on the spotlight by pushing the button next to each light. Push the button again to turn it off. You can use the spotlights at all times.

Cargo Area Light



The cargo area light comes on when you open the hatch.

Comfort and Convenience Features

Heating and Cooling.....	102	Radio Reception.....	131
Temperature Sensors.....	108	Operating the Cassette Player	133
Audio System (All models except Type-S)	109	Tape Search Functions	134
AM/FM/CD Audio System.....	109	Caring for the Cassette Player	137
Operating the Radio	109	Loading CDs in the Changer	139
Adjusting the Sound.....	113	Operation.....	141
Digital Clock.....	114	Removing CDs from the Changer	143
Audio System Lighting	115	Protecting Compact Discs.....	145
Operating the CD Player	115	CD Changer Error Indications	146
Operating the CD Changer	117	Theft Protection	147
CD Player Error Indications.....	119	Security System	148
CD Changer Error Indications	120	Cruise Control.....	149
Operating the Cassette Player	121		
Tape Search Functions	123		
Caring for Cassettes.....	124		
Audio System (Type S)	125		
AM/FM/Cassette/ CD Changer Audio System ..	125		
Operating the Radio	126		
Adjusting the Sound.....	129		
Digital Clock.....	130		
Audio System Lighting	131		
Radio Frequencies.....	131		

Heating and Cooling

The heating and cooling system in your Acura has full heating, ventilation, and air conditioning capabilities. In combination with the air conditioning, the system maintains the interior temperature you select. The system also adjusts the fan speed and air flow direction automatically depending on the set temperature.

The direction of air flow from the vents in the center and each side of the dashboard is adjustable. Open each vent by pushing on the recess. Adjust the direction of air flow by rotating the vent.

CENTER VENTS



The heating and cooling system draws air through the exterior vents at the bottom of the windshield. Keep these vents clear of leaves and other debris.

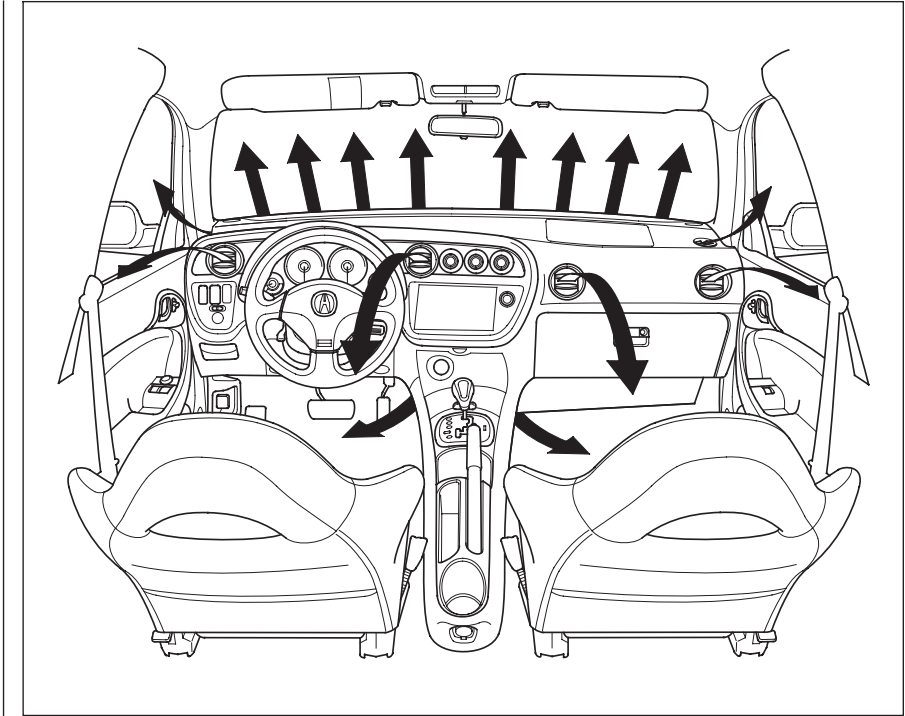
SIDE VENTS



The engine must be running for the heater and air conditioning to generate hot and cold air. The heater uses engine coolant to warm the air. If the engine is cold, it will be several minutes before you feel warm air coming from the system.

Ventilation

Your car has a flow-through ventilation system. Air enters the car through vents in front of the windscreen. It circulates through the interior then exits through vents near the tailgate. This system provides fresh air even when the car is standing still. To bring in outside air, select the Fresh Air mode. Set the fan at a comfortable speed.



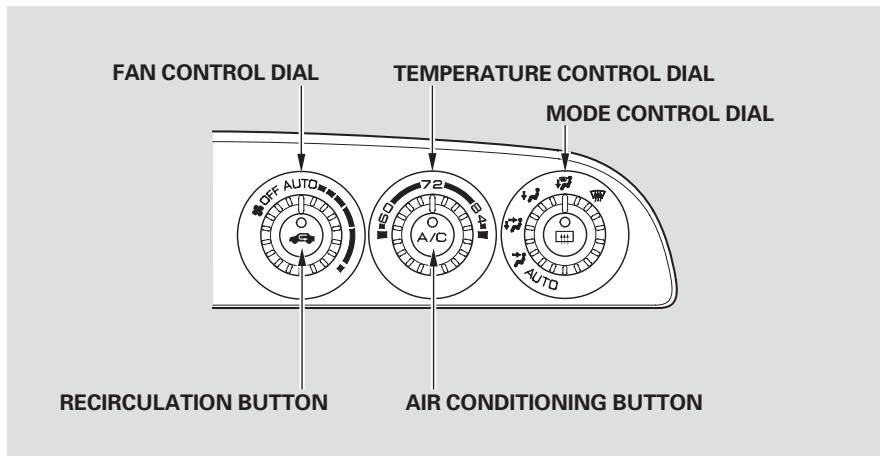
Heating and Cooling

Automatic Operation

To use the heating and cooling system in automatic mode, set the system as follows.

1. Set the fan control dial to AUTO.
2. Set the mode control dial to AUTO.
3. Turn the temperature control dial to the desired temperature.
4. Select Fresh Air mode by pressing the Recirculation button. The indicator in the switch should be off.
5. Turn on the A/C by pressing the button.

To heat or cool the interior faster, select Recirculation mode and set the temperature control dial to the upper or lower limit.



The system runs of full cooling or heating only. It does not regulate the interior temperature. When the temperature is set between the lower and upper limits, the system regulates the interior temperature to the set value.

Turning the fan control dial to OFF shuts the heating and cooling system completely off. Keep the system completely off only for short periods. To keep stale air and mustiness from collecting, you should have the fan running at all times.

Manual Operation

You can manually set the system controls for ventilation, air conditioning, heating, air flow direction, and fan speed in various combination.

Air Conditioning Button

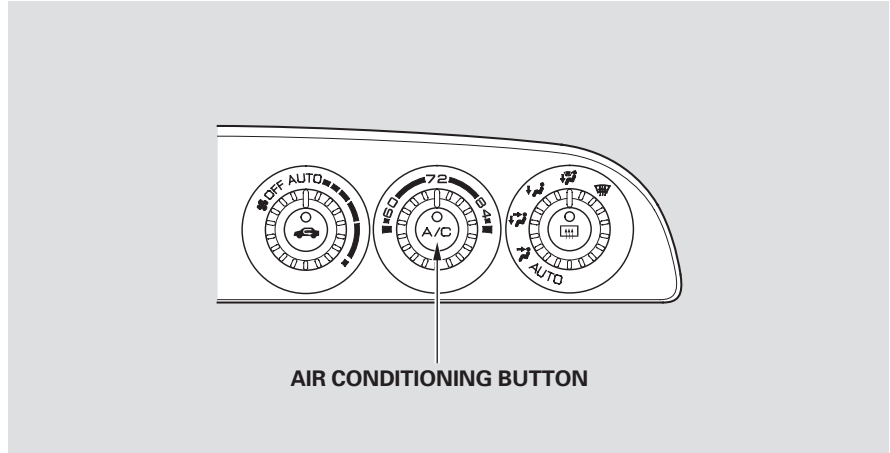
Pressing the A/C button turns the air conditioning ON and OFF. The indicator in the button lights when the A/C is ON.

When you turn the A/C off, the system cannot regulate the inside temperature if you set the dial below the outside air temperature. With A/C on, use the temperature control dial to adjust the temperature of the air flow to a comfortable setting.

Air conditioning also removes moisture from the air as it operates. You can use it to defog the windows quickly in cool or damp weather. Used in combination with the heater, it also makes the interior warm and dry.

Air conditioning places an extra load on the engine. Watch the engine coolant temperature gauge (see page 67) when using the A/C in heavy traffic or driving up long hills. If it moves near the red zone, turn off the air conditioning until the gauge reads normally.

CONTINUED



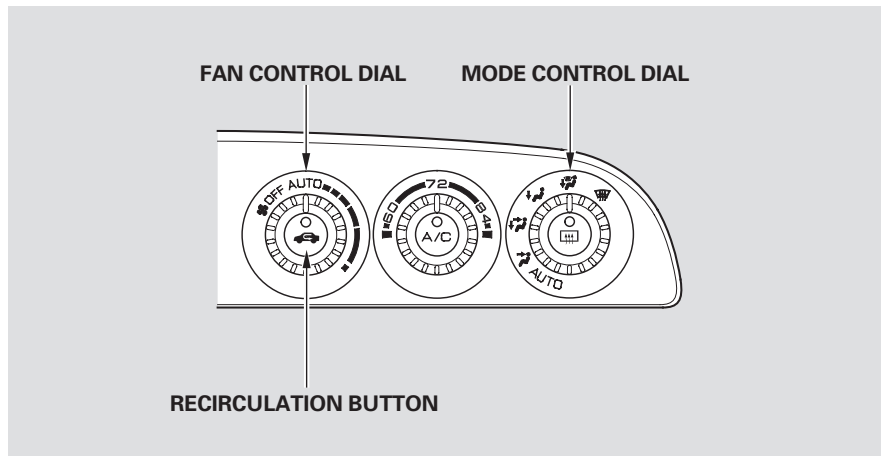
AIR CONDITIONING BUTTON

Heating and Cooling

Recirculation Button

This button controls the source of air going into the system. When the indicator in this button is lit, the system is recirculating the interior air (Recirculation mode). When the indicator is off, fresh air is brought in from outside the vehicle (Fresh Air mode). Push the button to change between recirculated and fresh air.

Use Recirculation mode to heat or cool the interior more quickly, or to keep out smoke and dust. Leaving the system in the Recirculation mode with the A/C off can cause the windows to fog up. Switch to Fresh Air mode as soon as the interior reaches a comfortable temperature or the outside smoky, dusty condition clears.



Fan Speed


You can manually select the fan speed by turning the fan speed control dial. Turning this dial clockwise increases the fan speed, which increases air flow. When the dial is set to AUTO, the system controls the fan speed automatically.


Mode Control Dial



Use this dial to select the direction of air flow coming out of the system. Some air will come out of the side vents in all modes.

In AUTO mode, the system controls the air flow direction automatically between the dashboard vents and the floor vents.



 The main air flow comes out of the dashboard vents.

 The main air flow is directed to the floor vents.

 The main air flow is divided between the floor vents and defroster vents at the base of the windshield.

 The main air flow is directed to the windshield for faster defrosting or defogging. To defrost or defog more quickly, turn the temperature control dial to maximum. Select  and set the fan speed to high.

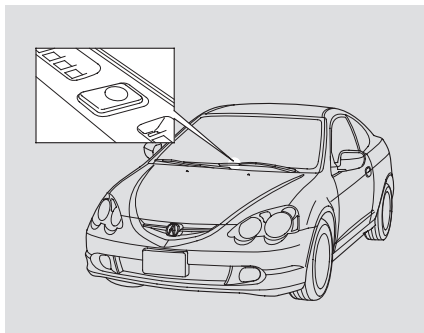
If there is actual frost on the windows, first select the Recirculation mode. If the windows are fogged, select the Fresh Air mode. Warmed air will then flow from the windshield and side defroster vents.

When you select  or , the A/C turns on automatically to help dehumidify the air and defog the windshield. When you select another mode, the A/C stays on. If you do not want to use the A/C in that mode, press the button to turn it off.

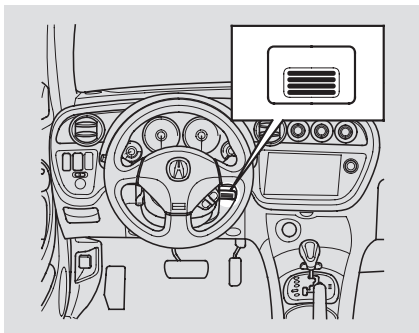
CONTINUED

Heating and Cooling

Temperature Sensors



The heating and cooling system has temperature sensors located next to the steering column and in the top of the dashboard. Do not cover the sensors or spill any liquid on them.

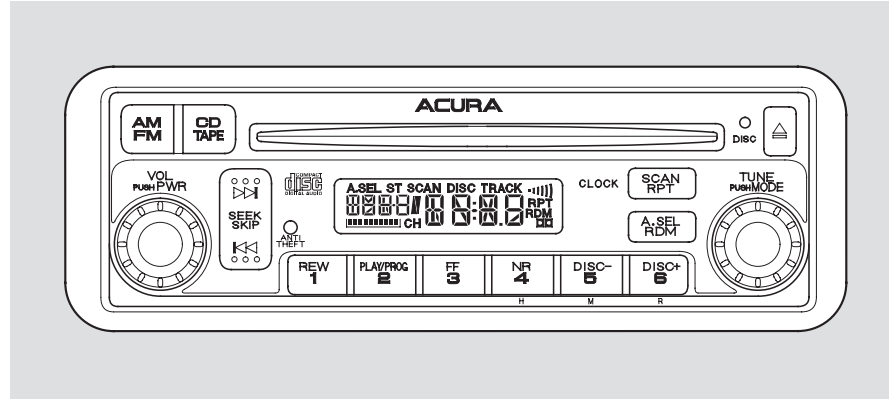


AM/FM/CD Audio System

All models except Type-S

Your Acura's audio system provides clear reception on both AM and FM bands, while the preset buttons allow you to easily select your favorite stations.

The anti-theft feature will disable the system if it is disconnected from the vehicle's battery. To get the system working again, you must enter a code number (see page 147).



Operating the Radio

The ignition switch must be in ACCESSORY (I) or ON (II) to operate the audio system. Turn the system on by pushing the PWR/VOL knob. Adjust the volume by turning the same knob.

The band and frequency that the radio was last tuned to is displayed. To change bands, press the AM or FM button. On the FM band, ST will be displayed if the station is broadcasting in stereo. Stereo reproduction on AM is not available.

CONTINUED

Audio System

You can use any of five methods to find radio stations on the selected band: TUNE, SEEK, SCAN, AUTO SELECT, and the preset buttons.

TUNE — Use the TUNE knob to tune the radio to a desired frequency. Turn the knob clockwise to tune to a higher frequency, or counterclockwise to tune to a lower frequency.

To change the frequency rapidly, press and hold the top or bottom of the SEEK bar. Release the bar when the display reaches the desired frequency. Depending on which part of the bar you press, the system scans upward or downward from the current frequency.

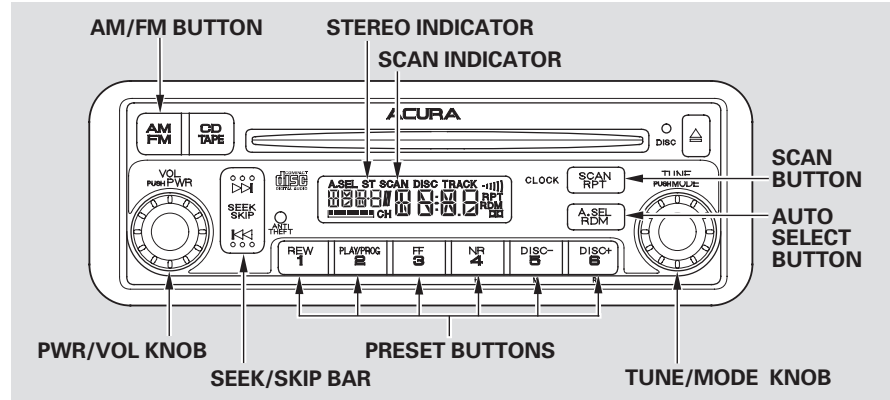
SEEK — The SEEK function searches the band for a station with a strong signal. To activate it, press and release the top or bottom of the SEEK bar. Depending on which part of the bar you press, the system scans upward or downward from the current frequency. It stops when it finds a station with a strong signal.

SCAN — The SCAN function samples all the stations with strong signals on the selected band. To activate it, press the SCAN button, then release it. The system will scan up the band for a station with a strong signal. When it finds one, it will stop and play that station for approximately five seconds. If you do nothing, the system will then scan for the next strong station and play that for five seconds. When it plays a station that you want to continue listening to, press the SCAN button again.

Preset – You can store the frequencies of your favorite radio stations in the six preset buttons. Each button will store one frequency on the AM band, and two frequencies on the FM band.

To store a frequency:

1. Select the desired band, AM or FM. FM1 and FM2 let you store two frequencies with each preset button.
2. Use the TUNE, SEEK, or SCAN function to tune the radio to a desired station.
3. Pick the Preset button you want for that station. Press the button and hold it until you hear a beep.
4. Repeat steps 1 to 3 to store a total of six stations on AM and twelve on FM.



Once a station's frequency is stored, simply press and release the proper preset button to tune to it.

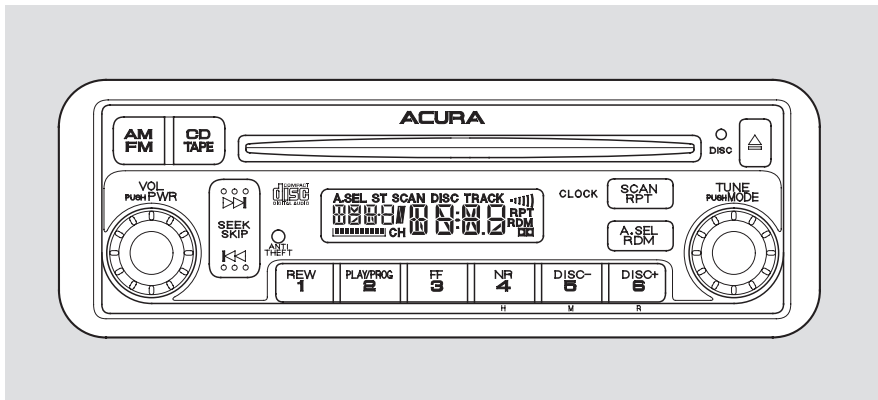
The preset frequencies will be lost if your car's battery goes dead, is disconnected, or the radio fuse is removed.

Audio System

AUTO SELECT – If you are traveling far from home and can no longer receive the stations you preset, you can use the Auto Select feature to find stations in the local area.

To activate Auto Select, press the A. SEL button. A. SEL will flash in the display, and the system will go into scan mode for several seconds. It automatically scans both bands, looking for stations with strong signals. It stores the frequencies of six AM stations and twelve FM stations in the preset buttons. You can then use the preset buttons to select those stations.

If you are in a remote area, Auto Select may not find six strong AM stations or twelve strong FM stations. If this happens, you will see a “0” displayed when you press any preset button that does not have a station stored.



If you do not like the stations Auto Select has stored, you can store other frequencies in the preset buttons. Use the TUNE, SEEK, or SCAN function to find the desired frequencies, then store them in the selected preset buttons as described previously.

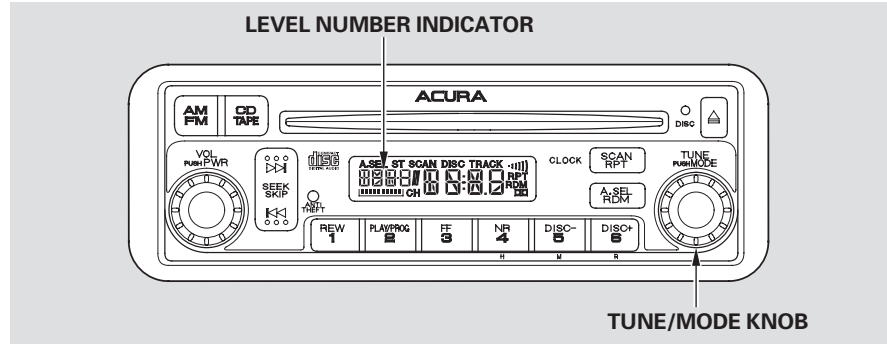
Auto Select does not erase the frequencies that you preset previously. When you return home, turn off Auto Select by pressing the A. SEL button. The preset buttons will then select the frequencies you originally set.

Adjusting the Sound

Bass, Treble, Balance, and Fader are each adjustable. You select which of these you want to adjust by pressing the TUNE/MODE knob. The mode changes from BAS to TRE to FAD to BAL, and then back to the selected audio mode, each time you press the TUNE/MODE knob.

Balance/Fader – These two modes adjust the strength of the sound coming from each speaker. BAL adjusts the side-to-side strength, while FAD adjusts the front-to-back strength.

Select BAL or FAD by pressing the TUNE/MODE knob. Adjust the Balance or Fader to your liking by turning the TUNE/MODE knob. The level number on the display shows you the range.



Treble/Bass – Use these modes to adjust the tone to your liking. Select TRE or BAS by pressing the TUNE/MODE knob. Adjust the desired mode by turning the TUNE/MODE knob. The level number on the display shows you the range.

The system will automatically return the display to the selected audio mode about five seconds after you stop adjusting a mode with the TUNE/MODE knob.

Radio Frequencies and Reception
For information, see page [131](#).

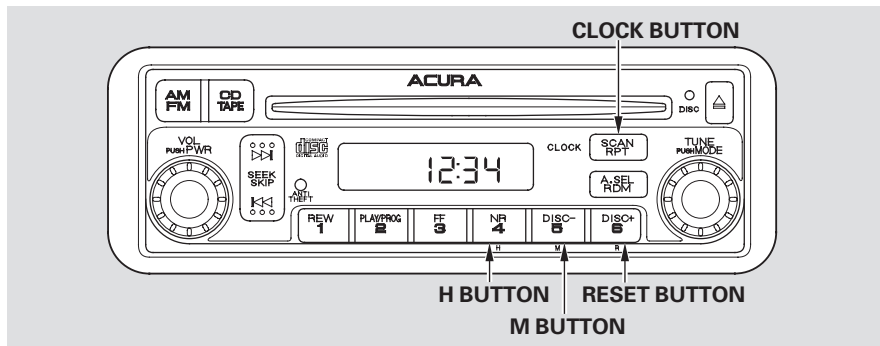
Audio System

Digital Clock

The audio system usually shows the time when the ignition switch is in ACCESSORY (I) or ON (II). It shows the operation mode of the radio, CD player, or optional CD changer when you operate them, then goes back to the time display after three seconds.

To set the hours, press and hold the CLOCK button. Press and hold the H button until the numbers advance to the desired time.

To set the minutes, press and hold the CLOCK button. Press and hold the M button until the numbers advance to the desired time.



You can use the RESET button to quickly set the time to the nearest hour. Press the RESET button while pressing the CLOCK button. If the displayed time is before the half hour, pressing RESET sets the clock back to the previous hour. If the displayed time is after the half hour, pressing RESET sets the clock forward to the beginning of the next hour.

For example :

- 1:06 would RESET to 1:00
- 1:52 would RESET to 2:00

If your car's battery is disconnected or goes dead, the time setting will be lost. To set the time again, follow the setting procedure.

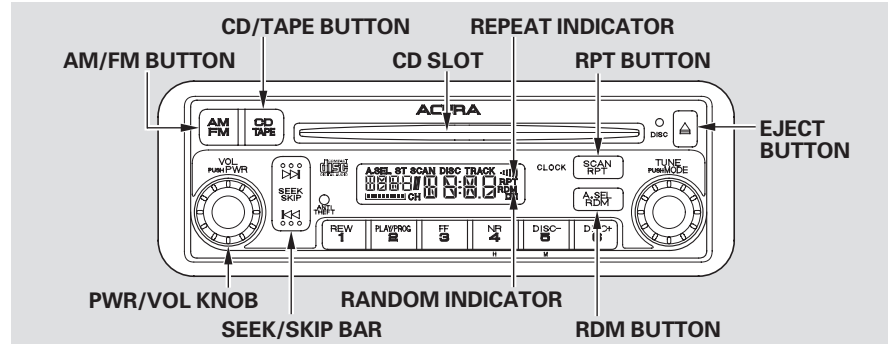
Audio System Lighting

You can use the instrument panel brightness control dial to adjust the illumination of the audio system (see page 70). The audio system illuminates when the parking lights are on, even if the radio is turned off.

Operating the CD Player

You operate the CD player with the same controls used for the radio.

With the ignition switch in ACCESSORY (I) or ON (II), insert the disc into the CD slot. Push the disc in halfway, the drive will pull it in the rest of the way and begin to play. The number of the track that is playing is shown in the display.



You can also play 3-inch (8-cm) discs without using an adapter ring. Play only standard round discs. Odd-shaped CDs may jam in the drive or cause other problems.

For best results when using CD-R discs, use only high quality discs labeled for audio use. When recording a CD-R, the recording must be closed in order for the disc to be used by CD players. CD-RW discs will not work in this unit.

When the system reaches the end of the disc, it will return to the beginning and play the disc again.

Audio System

You can switch to the radio while a CD is playing by pressing the AM/FM button. Press the CD button to return to playing the CD. The CD will begin playing where it left off.

If you turn the system off while a CD is playing, either with the PWR/VOL knob or by turning off the ignition, the disc will stay in the drive. When you turn the system back on, the CD will begin playing where it left off.

Press the eject button to remove the disc from the drive.

If you eject the disc, but do not remove it from the slot, the system will automatically reload the disc after 15 seconds and put the CD player in pause mode. To begin playing the disc, press the CD button.

You can use the SEEK/SKIP bar while a disc is playing to select passages and change tracks.

To move rapidly within a track, press and hold the SEEK/SKIP bar. Press the ►► side to move forward. You will see CUE in the display. Press the ◀◀ side to move backward. You will see REW displayed. Release the bar when the system reaches the point you want.

Each time you press and release the ►► side of the SEEK/SKIP bar, the system skips forward to the beginning of the next track. Press the ◀◀ side to skip backward to the beginning of the current track. Press it again to skip to the beginning of the previous track.

REPEAT – To activate the Repeat feature, press and release the RPT button. You will see RPT in the display. The system continuously replays the current track. Press the RPT button again to turn it off.

RANDOM PLAY – This feature, when activated, plays the tracks on the CD in random order, rather than in the order they are recorded on the CD. To activate Random Play, press the RDM button. You will see RDM in the display. The system will then select and play tracks randomly. This continues until you deactivate Random Play by pressing the RDM button again.

Operating the CD Changer (Optional)

A Compact Disc changer is available for your car. It holds up to six discs, providing several hours of continuous entertainment. You operate this CD changer with the same controls used for the in-dash CD player.

Load the desired CDs in the magazine and load the magazine in the changer according to the instructions that came with the unit. Play only standard round discs. Odd-shaped CDs may jam in the drive or cause other problems.

For best results when using CD-R discs, use only high quality discs labeled for audio use. When recording a CD-R, the recording must be closed in order for the disc to be used by CD players. CD-RW discs will not work in this unit.

To select the CD changer, press the CD button. The disc and track numbers will be displayed.

To select a different disc, press the DISC + (Preset 6) or DISC – (Preset 5) button. The next disc in the changer is loaded and played when you press the DISC + button. DISC – loads and plays the previous disc. If you select an empty slot in the magazine, the changer will, after finding that slot empty, try to load the CD in the next slot. This continues until it finds a CD to load and play.

Audio System

If you load a CD in the in-dash player while the changer is playing a CD, the system will stop the changer and begin playing the in-dash CD. To select the changer again, press the CD button. Play will begin where it left off. Use the CD button to switch between the player and the changer.

If you eject the in-dash CD while it is playing, the system will automatically switch to the CD changer and begin play where it left off. If there are no CDs in the changer, the display will flash. You will have to select another mode (AM or FM) with the FM or AM button.

When you switch back to CD mode, the system selects the same unit (in-dash or changer) that was playing when you switched out of CD mode.

To use the SKIP, REPEAT, and RANDOM functions, refer to the in-dash player operating instructions.

Protecting Compact Discs

For information on how to handle and protect compact discs, see page [145](#).

CD Player Error Indications

If you see an error indication in the display while operating the CD player, find the cause in the chart to the right. If you cannot clear the error indication, take the car to your Acura dealer.

Indication	Cause	Solution
CD DISC	FOCUS Error	Press the EJECT button and pull out the disc. Check if the disc is inserted correctly in the CD player. Make sure the disc is not scratched or damaged.
CD ERR	Mechanical Error	Press the EJECT button and pull out the disc. Check the disc for damage or deformation. If the CD cannot be pulled out or the error indication does not disappear after the disc is ejected, see your Acura dealer. Do not try to force the disc out of the player.
CD Hot	High Temperature.	Will disappear when the temperature returns to normal.

Audio System

CD Changer Error Indications

If you see an error indication in the display while operating the CD changer, find the cause in the chart to the right. If you cannot clear the error indication, take the car to your Acura dealer.

Indication	Cause	Solution
CD ISC	FOCUS Error	Press the magazine eject button and pull out the magazine, check for error indication. Insert the magazine again. If the code does not disappear or the magazine cannot be pulled out, consult your Acura dealer.
	No CD in the CD magazine	Insert CD.
CD ERR	Mechanical Error	Press the magazine eject button and pull out the magazine, check for error indication. Insert the magazine again. If the code does not disappear or the magazine cannot be pulled out, consult your Acura dealer.
CD Hot	High Temperature.	Will disappear when the temperature returns to normal.
CD EVEC	No CD magazine in the CD changer.	Insert CD magazine.

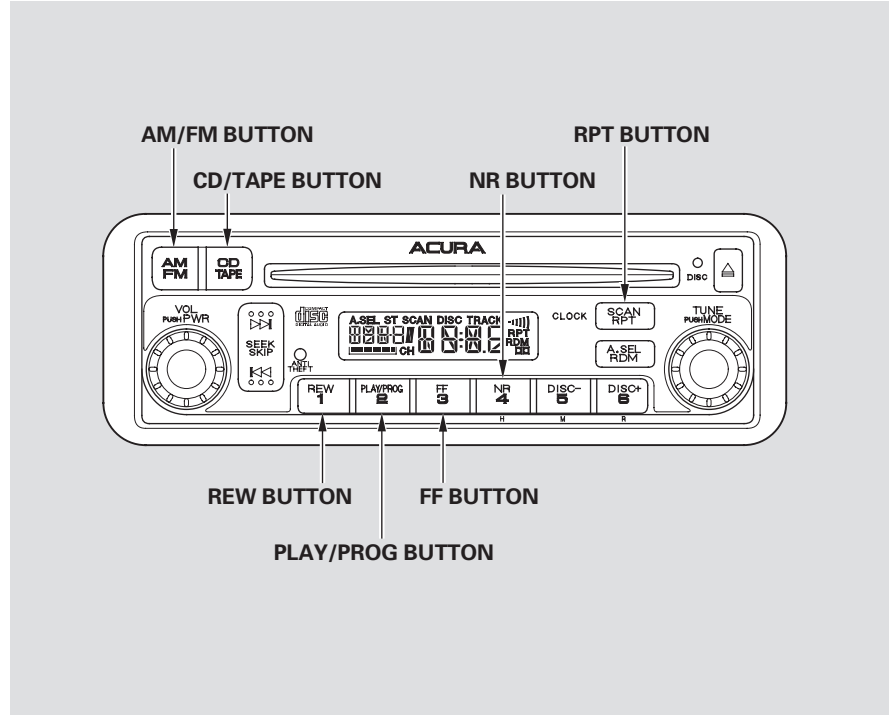
Operating the Cassette Player (Optional)

The cassette system features Dolby* noise reduction, automatic sensing of chromium-dioxide (CrO₂) tape, and auto-reverse for continuous play.

Make sure the tape opening on the cassette is facing to the right, then insert the cassette most of the way into the slot. The system will pull it in the rest of the way, and begin to play.

* Dolby noise reduction manufactured under license from Dolby Laboratories Licensing Corporation. "DOLBY" and the double-D symbol

 are trademarks of Dolby Laboratories Licensing Corporation.



Audio System

The tape direction indicator will light to show you which side of the cassette is playing. The ▲ indicates the side you inserted facing upward is now playing. If you want to play the other side, press the PROG button.

Dolby noise reduction turns on when you insert a cassette. If the tape was not recorded with Dolby noise reduction, turn it off by pressing the NR button.

Noise reduction remains off until you turn it on by pressing the button again.

When the system reaches the end of the tape, it will automatically reverse direction and play the other side. If you want to remove the cassette from the drive, press the EJECT button on the cassette player.

If you turn the system off while a tape is playing, either with the PWR/VOL knob or by turning off the ignition, the cassette will remain in the drive. When you turn the system back on, the cassette player will be in pause mode. To begin playing, press the PLAY/PROG button.

To switch to the radio or CD player while a tape is playing, press the AM/FM, or CD/TAPE button. To change back to the cassette player, press the CD/TAPE button.

Tape Search Functions

With a cassette playing, you can use the FF, REW, SKIP, or REPEAT function to find a desired program.

FF/REW — Fast Forward and Rewind move the tape rapidly. To rewind the tape, push the REW button. You will see REW in the display. To fast forward the tape, push the FF button. You will see FF displayed. Press the PROG/PLAY button to take the system out of rewind or fast forward. If the system reaches the end of the tape while in fast forward or rewind, it automatically stops that function, reverses direction, and begins to play.

SKIP — The Skip function allows you to find the beginning of a song or passage. To activate SKIP, press the SEEK/SKIP bar. Press the **▶▶|** side to advance to the beginning of the next song or passage, or the **|◀◀** side to return to the beginning of the current song or passage. FF or REW will flash in the display as the tape moves. When the system reaches the beginning of the next song or passage (FF), or the beginning of the current one (REW), it goes back to PLAY mode.

Audio System

REPEAT – The Repeat function continuously replays the current song or passage. Press the RPT button to activate it; you will see RPT displayed as a reminder. When the system reaches the end of the song or passage currently playing, it will automatically go into rewind. When it senses the beginning of the same song or passage, the system returns to PLAY mode. It will continue to repeat this same program until you deactivate REPEAT by pressing the button again.

The SKIP and REPEAT functions use silent periods on the tape to find the end of a song or passage. These features may not work to your satisfaction if there is almost no gap between selections, a high noise level between selections, or a silent period in the middle of a selection.

Caring for Cassettes

Damaged cassettes can jam inside the drive or cause other problems. See page [137](#) for information on cassette care and protection.

AM/FM/Cassette/CD Changer Audio System

Type-S

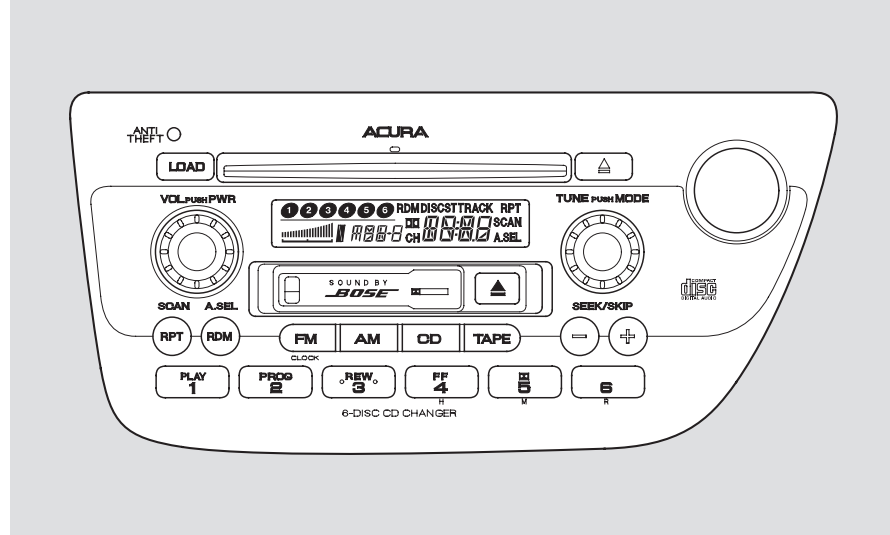
Your Acura's audio system provides clear reception on both AM and FM bands, while the preset buttons allow you to easily select your favorite stations.

The cassette system features Dolby* noise reduction, automatic sensing of chromium-dioxide (CrO₂) tape, and auto-reverse for continuous play.

* Dolby noise reduction manufactured under license from Dolby Laboratories Licensing Corporation. "DOLBY" and the double-D symbol

 are trademarks of Dolby Laboratories Licensing Corporation.

The in-dash CD changer holds up to six discs. You operate the CD changer with the same controls used for the radio. See page 139 for CD changer operation.



The anti-theft feature will disable the system if it is disconnected from the car's battery. To get the system working again, you must enter a code number (see page 147).

Audio System

Operating the Radio

The ignition switch must be in ACCESSORY (I) or ON (II) to operate the audio system. Turn the system on by pressing the PWR/VOL knob, or the AM or FM button. Adjust the volume by turning the knob.

The band and frequency that the radio was last tuned to is displayed. To change bands, press the AM or FM button. On the FM band, ST will be displayed if the station is broadcasting in stereo. Stereo reproduction on AM is not available.

You can use any of four methods to find radio stations on the selected band: TUNE, SEEK, SCAN or the Preset buttons.

TUNE — Use the TUNE knob to tune the radio to a desired frequency. Turn the TUNE knob to the right to tune to a higher frequency, or to the left to tune to a lower frequency. Turn the knob right or left until the display reaches the desired frequency.

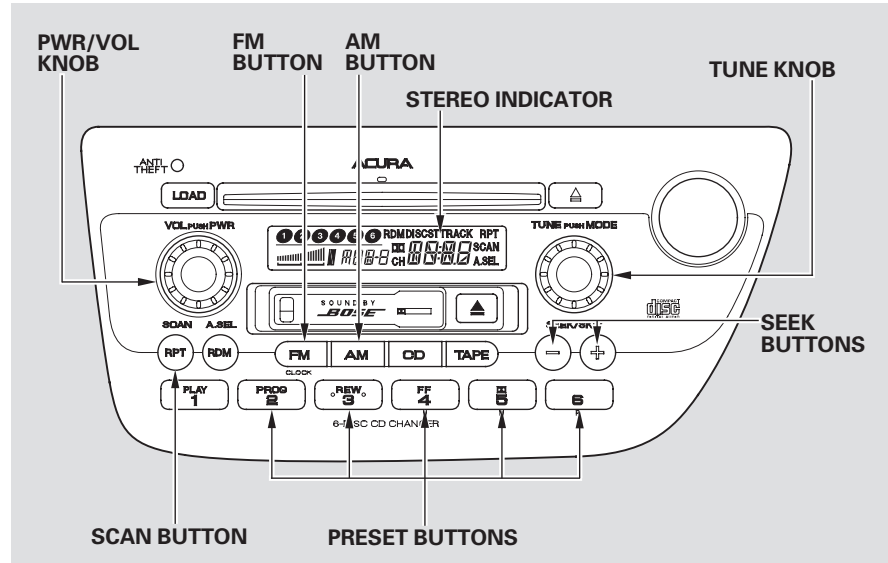
SEEK — The SEEK function searches the band for a station with a strong signal. To activate it, press either SEEK button (⊖ or ⊕), then release it. Depending on which SEEK button you press, the system scans upward or downward from the current frequency. It stops when it finds a station with a strong signal.

SCAN — The SCAN function samples all the stations with strong signals on the selected band. To activate it, press the SCAN button, then release it. You will see SCAN in the display. The system will scan up the band for a station with a strong signal. When it finds one, it will stop and play that station for approximately five seconds. If you do nothing, the system will then scan for the next strong station and play that for five seconds. When it plays a station that you want to continue listening to, press the SCAN button again.

Preset – You can store the frequencies of your favorite radio stations in the six preset buttons. Each button will store one frequency on the AM band, and two frequencies on the FM band.

To store a frequency:

1. Select the desired band, AM or FM. FM1 and FM2 let you store two frequencies with each preset button.
2. Use the TUNE or SEEK function to tune the radio to a desired station.
3. Pick the Preset button you want for that station. Press the button and hold it until you hear a beep.
4. Repeat steps 1 to 3 to store a total of six stations on AM and twelve on FM.



Once a station's frequency is stored, simply press and release the proper Preset button to tune to it.

The preset frequencies will be lost if your car's battery goes dead, is disconnected, or the radio fuse is removed.

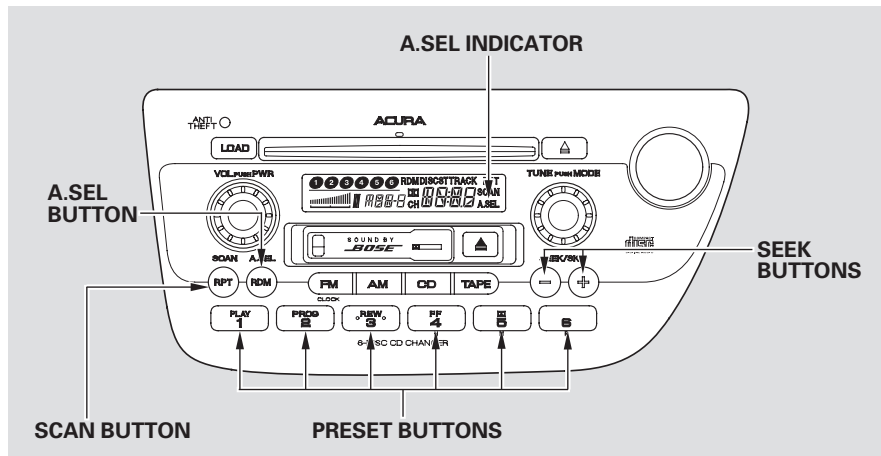
CONTINUED

Audio System

AUTO SELECT – If you are traveling far from home and can no longer receive the stations you preset, you can use the Auto Select feature to find stations in the local area.

To activate Auto Select, press the A. SEL button. A. SEL will flash in the display, and the system will go into scan mode for several seconds. It automatically scans both bands, looking for stations with strong signals. It stores the frequencies of six AM stations and twelve FM stations in the preset buttons. You can then use the preset buttons to select those stations.

If you are in a remote area, Auto Select may not find six strong AM stations or twelve strong FM stations. If this happens, you will see a “0” displayed when you press any preset button that does not have a station stored.



If you do not like the stations Auto Select has stored, you can store other frequencies in the preset buttons. Use the TUNE, SEEK, or SCAN function to find the desired frequencies, then store them in the selected preset buttons as described previously.

Auto Select does not erase the frequencies that you preset previously. When you return home, turn off Auto Select by pressing the A. SEL button. The preset buttons will then select the frequencies you originally set.

Adjusting the Sound

Bass, Treble, Balance, and Fader are each adjustable. You select which of these you want to adjust by pressing the TUNE/MODE knob. The mode changes from BAS to TRE to FAD to BAL, and then back to the selected audio mode, each time you press the TUNE/MODE knob.

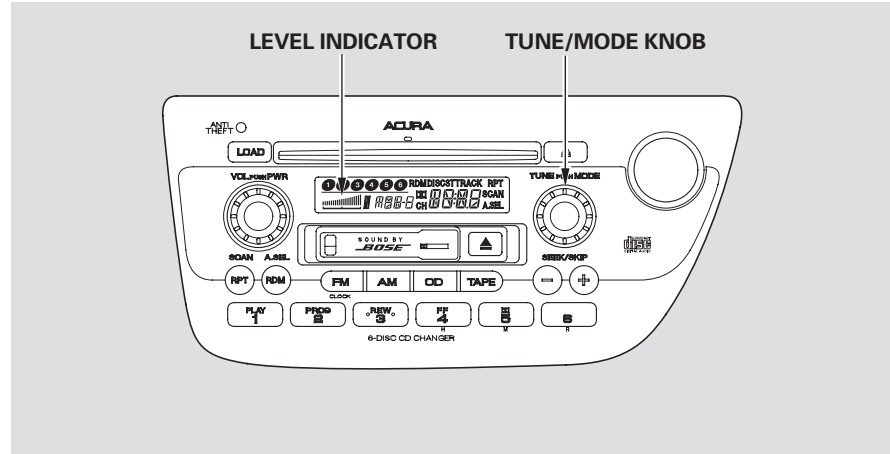
Treble/Bass – Use these modes to adjust the tone to your liking. Select TRE or BAS by pressing the TUNE/MODE knob. Adjust the desired mode by turning the TUNE/MODE knob.

The displayed number shows you the current setting. When the adjustment level reaches the center, you will see “ [”.

Balance/Fader – These two modes adjust the strength of the sound coming from each speaker. BAL adjusts the side-to-side strength,

while FAD adjusts the front-to-back strength.

Select BAL or FAD by pressing the TUNE/MODE knob. Adjust the Balance or Fader to your liking by turning the TUNE/MODE knob. The displayed number shows you the current setting.



When the adjustment level reaches the center, you will see “ [”.

The system will automatically return the display to the selected audio mode about five seconds after you stop adjusting a mode with the TUNE/MODE knob.

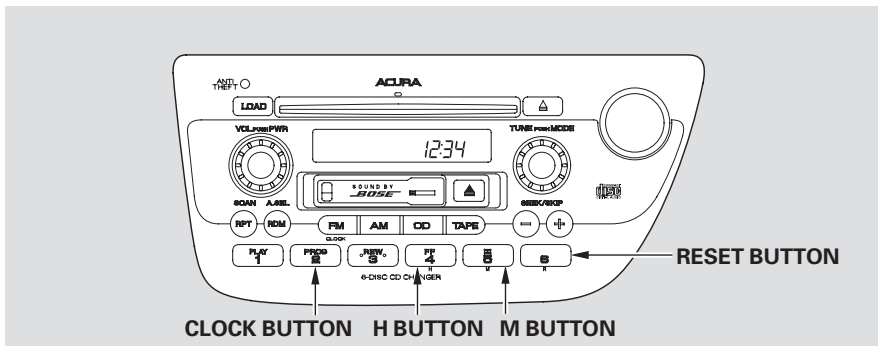
Audio System

Digital Clock

The audio system display usually shows the time when the ignition switch is in ACCESSORY (I) or ON (II). It shows the operation mode of the radio, cassette player, or CD changer when you operate them, then goes back to the time display after five seconds.

To set the hours, press and hold the CLOCK button. Press and hold the H (preset 4) button until the numbers advance to the desired time.

To set the minutes, press and hold the CLOCK button. Press and hold the M (preset 5) button until the numbers advance to the desired time.



You can quickly set the time to the nearest hour. If the displayed time is before the half hour, pressing and holding the clock button, then pressing the RESET button (preset 6) sets the clock back to the previous hour. If the displayed time is after the half hour, the clock is set forward to the beginning of the next hour.

For example:

- 1:06 will reset to 1:00
- 1:52 will reset to 2:00

If your car's battery is disconnected or goes dead, the time setting will be lost. To set the time again, follow the setting procedure.

Audio System Lighting

You can use the instrument panel brightness control dial to adjust the illumination of the audio system (see page 70). The audio system illuminates when the parking lights are on, even if the radio is turned off.

Radio Frequencies

Your Acura's radio can receive the complete AM and FM bands. Those bands cover these frequencies:

AM band:

530 to 1,710 kilohertz

FM band:

87.7 to 107.9 megahertz

Radio stations on the AM band are assigned frequencies at least ten kilohertz apart (530, 540, 550). Stations on the FM band are assigned frequencies at least 0.2 megahertz apart (87.9, 88.1, 88.3).

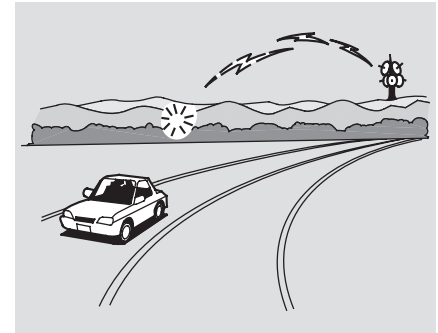
Stations must use these exact frequencies. It is fairly common for stations to round-off the frequency in their advertising, so your radio could display a frequency of 100.9 even though the announcer may identify the station as "FM101."

Radio Reception

How well your Acura's radio receives stations is dependent on many factors, such as the distance from the station's transmitter, nearby large objects, and atmospheric conditions.

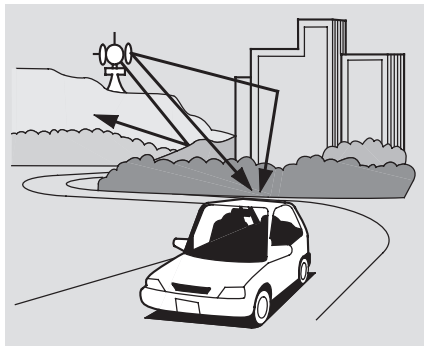
A radio station's signal gets weaker as you get farther away from its transmitter. If you are listening to an AM station, you will notice the sound volume becoming weaker, and the station drifting in and out. If you are listening to an FM station, you will see the stereo indicator flickering off and on as the signal weakens. Eventually, the stereo indicator will

go off and the sound will fade completely as you get out of range of the station's signal.



Driving very near the transmitter of a station that is broadcasting on a frequency close to the frequency of the station you are listening to can also affect your radio's reception. You may temporarily hear both stations, or hear only the station you are close to.

Audio System



Radio signals, especially on the FM band, are deflected by large objects such as buildings and hills. Your radio then receives both the direct signal from the station's transmitter, and the deflected signal. This causes the sound to distort or flutter. This is a main cause of poor radio reception in city driving.



Radio reception can be affected by atmospheric conditions such as thunderstorms, high humidity, and even sunspots. You may be able to receive a distant radio station one day and not receive it the next day because of a change in conditions.

Electrical interference from passing vehicles and stationary sources can cause temporary reception problems.

*As required by the FCC:
Changes or modifications not expressly
approved by the party responsible for
compliance could void the user's
authority to operate the equipment.*

Operating the Cassette Player

The ignition switch must be in ACCESSORY (I) or ON (II).

Make sure the tape opening on the cassette is facing to the right, then insert the cassette most of the way into the slot. The system will pull it in the rest of the way, and begin to play.

The tape direction indicator will light to show you which side of the cassette is playing. The ▲ indicates the side you inserted facing upward is now playing. If you want to play the other side, press the PROG button.

Dolby noise reduction turns on when you insert a cassette. The □□ indicator will light in the display. If the tape was not recorded with Dolby noise reduction, turn it off by pressing the □□ button. Noise reduction remains off until you turn it on by pressing the button again.

When the system reaches the end of the tape, it will automatically reverse direction and play the other side. If you want to remove the cassette from the drive, press the EJECT button.

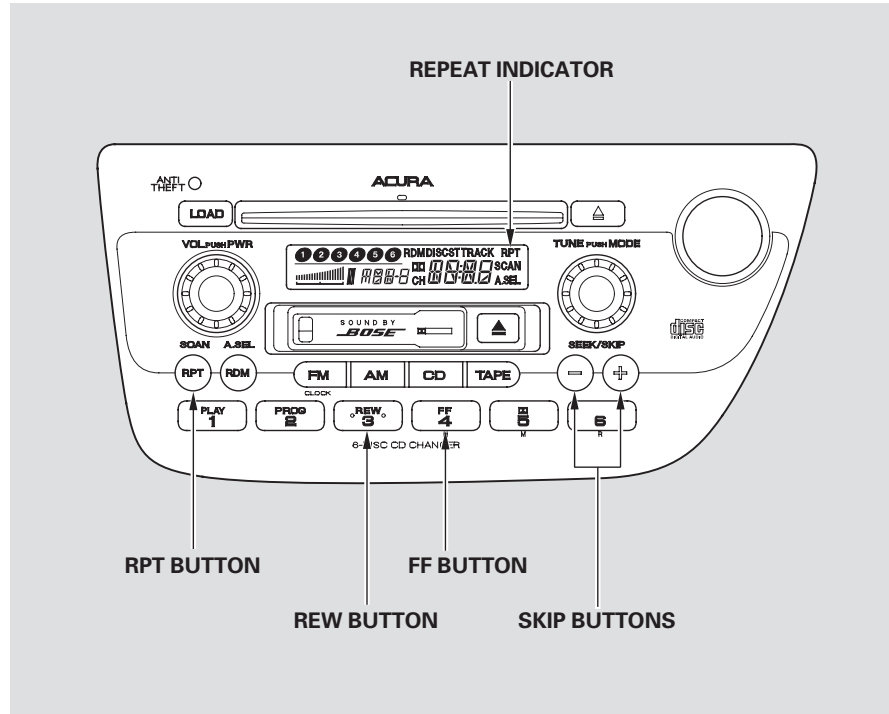
You can remove the cassette with the ignition switch in any position, even if the audio system is turned off.

If you turn the system off while a tape is playing, either with the PWR/VOL knob or by turning off the ignition, the cassette will remain in the drive. When you turn the system back on, the tape will begin playing where it left off.

To switch to the radio or CD changer while listening to a tape, press the AM, FM or CD button. To change back to the cassette player, press the TAPE button.

SKIP – The SKIP function allows you to find the beginning of a song or passage. To skip to the beginning of a song or passage currently playing, push the \ominus button. You will see REW flashing in the display as the tape rewinds. To skip to the beginning of the next song, push the \oplus button. You will see FF flashing in the display as the tape fast forwards. When the system finds the beginning of a song or passage, it goes back to PLAY.

To stop the SKIP function before it finds the beginning of a song or passage, press either of the SKIP buttons (\ominus or \oplus).



Audio System

REPEAT – The Repeat function continuously replays the current song or passage. Press the RPT button to activate it; you will see RPT displayed as a reminder. When the system reaches the end of the song or passage currently playing, it will automatically go into rewind. When it senses the beginning of the same song or passage, the system returns to PLAY mode. It will continue to repeat this same program until you deactivate REPEAT by pressing the button again. Pressing the REW or FF button, or either of the SKIP buttons, also turns off REPEAT.

The SKIP and REPEAT functions use silent periods on the tape to find the end of a song or passage. These features may not work to your satisfaction if there is almost no gap between selections, a high noise level between selections, or a silent period in the middle of a selection.

Caring for the Cassette Player

The cassette player picks up dirt and oxides from the tape. This contamination builds up over time and causes the sound quality to degrade. To prevent this, you should clean the player after every 30 hours of use. Your dealer has a cleaning kit available.

If you do not clean the cassette player regularly, it may eventually become impossible to remove the contamination with a normal cleaning kit.

Use 100-minute or shorter cassettes. Cassettes longer than that use thinner tape that may break or jam the drive.

Look at the cassette before you insert it. If the tape is loose, tighten it by turning a hub with a pencil or your finger.

If the label is peeling off, remove it from the cassette or it could cause the cassette to jam in the player. Never try to insert a warped or damaged cassette in the player.

When they are not in use, store cassettes in their cases to protect them from dust and moisture. Never place cassettes where they will be exposed to direct sunlight, high heat, or high humidity. If a cassette is exposed to extreme heat or cold, let it reach a moderate temperature before inserting it in the player.

Never try to insert foreign objects into the cassette player.

If you see the error indication “*TAPE ERR*” on the display, press the EJECT button to remove the cassette from the unit. Make sure the tape is not damaged. If the cassette will not eject or the error indication stays on after the cassette ejects, take the car to your Acura dealer.

Audio System

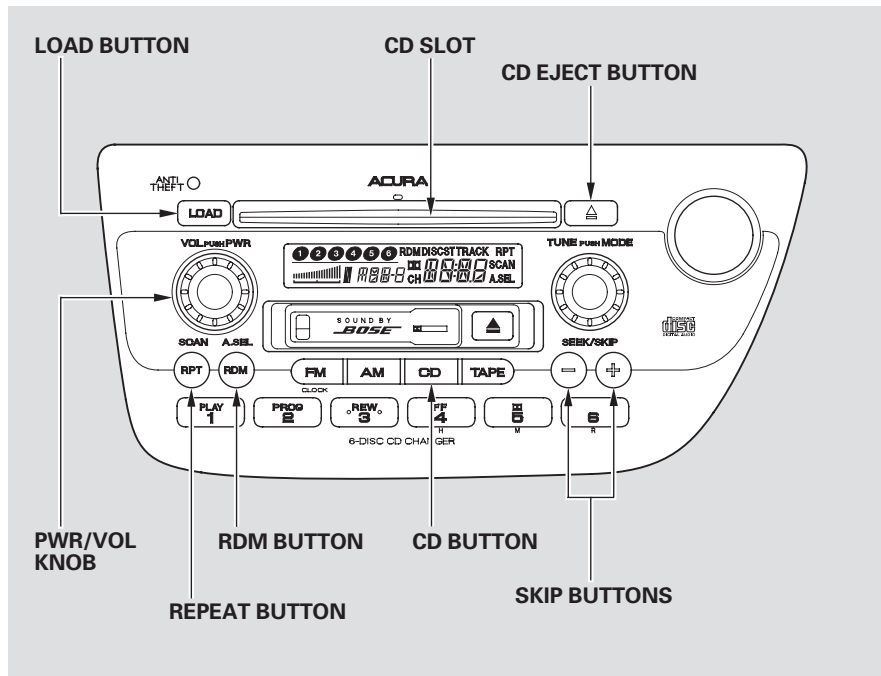
Operating the CD Changer

Your Acura's audio system has an in-dash CD changer that holds up to six discs, providing several hours of continuous entertainment. You operate this CD changer with the same controls used for the radio and cassette player.

To load CDs or operate the CD changer, the ignition switch must be in ACCESSORY (I) or ON (II).

Load and play only standard round discs. Odd-shaped CDs may jam in the drive or cause other problems. You cannot load and play 3-inch (8-cm) discs in this system.

For best results when using CD-R discs, use only high quality discs labeled for audio use. When recording a CD-R, the recording must be closed in order for the disc to be used by CD players. CD-RW discs will not work in this unit.



Loading CDs in the Changer

To load multiple CDs in one operation:

1. Press and hold the Load button until you see “LOAD” in the display, then release the button.
2. On the upper left side of the display, the disc number for an empty position will begin blinking and the green CD Loaded indicator will come on.
3. Insert the disc into the CD slot. Insert it only about halfway; the drive will pull it in the rest of the way. You will see “BUSY” in the display. The CD Loaded indicator turns red and blinks as the CD is loaded.
4. When LOAD appears again in the display, insert the next disc into the CD slot.

5. Repeat this until all six positions are loaded. The system will then begin playing the last CD loaded.

If you are not loading CDs into all six positions, press the Load button again after the last CD has loaded. The system will begin playing the last CD loaded.

If you stop loading CDs before all six positions are filled, and you do not press the Load button, the system will wait for ten seconds, then stop the load operation and begin playing the last CD loaded.

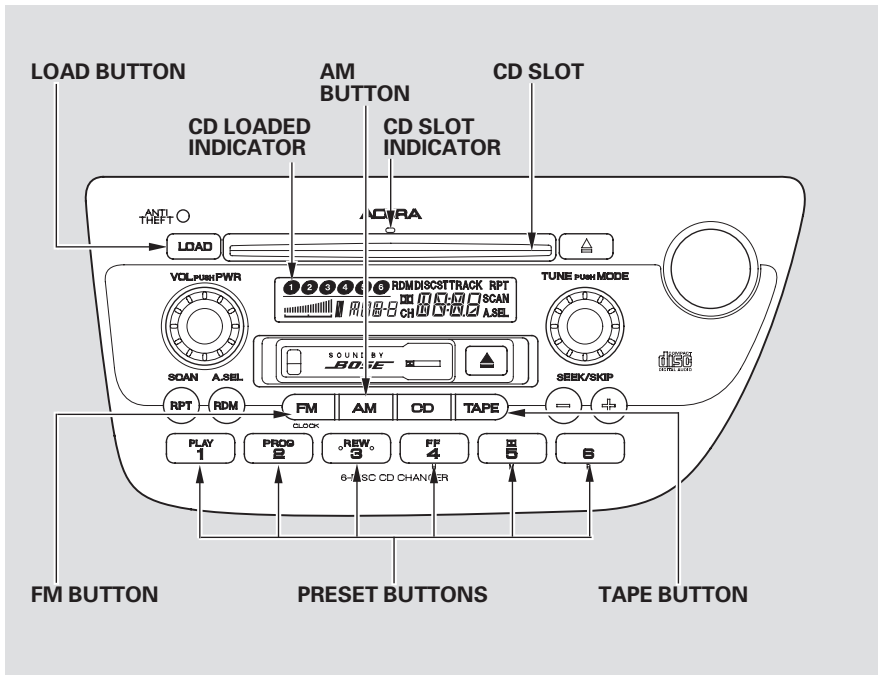
To load a single CD:

1. Press and release the Load button.
2. When the disc number for an empty position starts to blink and the green CD Loaded indicator comes on, you will see LOAD in the display. Insert the disc into the CD slot. Insert it only about halfway, the drive will pull it in the rest of the way.
3. The system will load the CD, and begin playing it.

Audio System

If you press the Load button while a CD is playing, the system will stop playing that CD and start the loading sequence. It will then play the CD just loaded.

You can also load a CD into an empty position while a CD is playing by pressing the appropriate preset button. Select an empty position (the CD Loaded indicator is off), and press the preset button for that position (1 to 6). The system will stop playing the current CD and start the loading sequence. It will then play the CD just loaded.



Operation

Select the CD changer by pressing the CD button. You will see “Cd” in the display. The system will begin playing the last selected disc in the CD changer. You will see the disc and track numbers displayed.

When that disc ends, the next disc in the CD changer is loaded and played. After the last disc finishes, the system returns to disc 1.

To select a different disc, press the appropriate Preset button (1 – 6). If you select an empty position in the CD changer, the system will go into the loading sequence (see page 146).

You can use the SKIP buttons while a disc is playing to select passages and change tracks.

To move rapidly within a track, press and hold the appropriate SKIP button. You will hear a beep and the system will continue to move. Press the ⊕ button to move forward, or the ⊖ button to move backward. Release the button when the system reaches the point you want.

Each time you press the ⊕ button and release it, the system skips forward to the beginning of the next track. Press and release the ⊖ button to skip backward to the beginning of the current track. Press and release it again to skip to the beginning of the previous track.

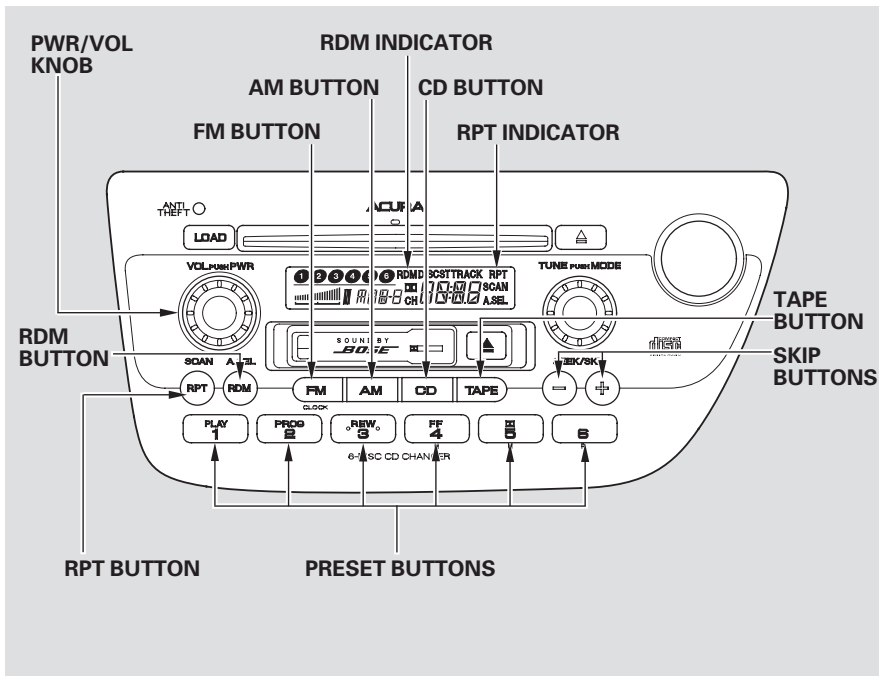
REPEAT — To activate the Repeat feature, press and release the RPT button. You will see RPT in the display as a reminder. The system continuously replays the current track. Press the RPT button again to turn it off. Pressing either of the SKIP buttons also turns off the repeat feature.

RANDOM PLAY — This feature, when activated, plays the tracks within a CD in random order, rather than in the order they are recorded on the CD. To activate Random Play, press the RDM button. You will see RDM in the display. The system will then select and play tracks randomly. This continues until you deactivate Random Play by pressing the RDM button again, or you select a different CD with a preset button.

Audio System

To take the system out of CD mode, press the AM or FM button, or insert a cassette in the player. If a tape is already in the cassette player, press the TAPE button. When you return to CD mode by pressing the CD button, play will continue at the same point that it left off.

If you turn the system off while a CD is playing, either with the PWR/VOL knob or the ignition switch, play will continue at the same point when you turn it back on.

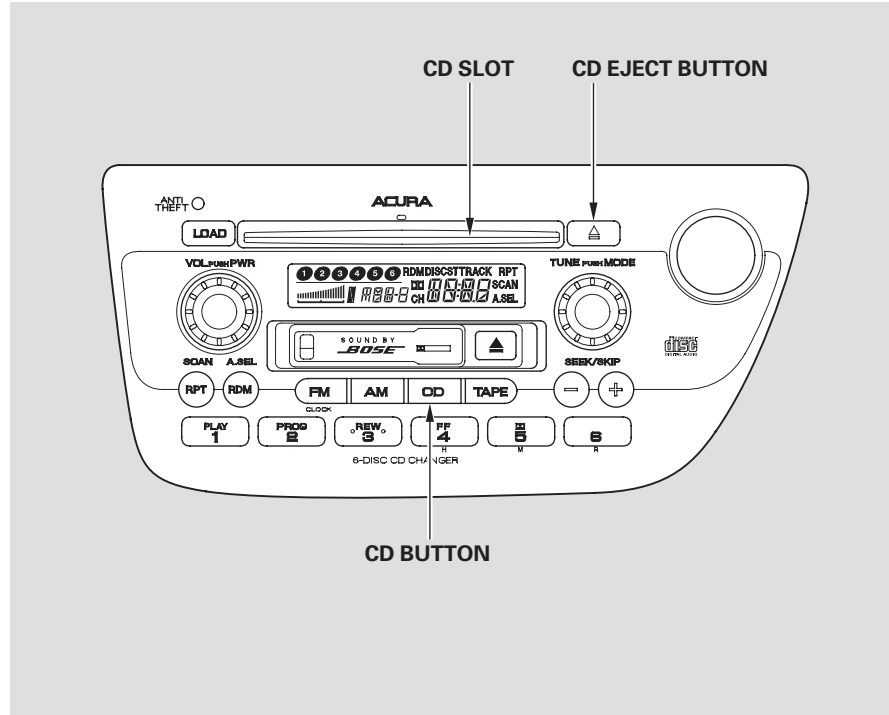


Removing CDs from the Changer

To remove the disc that is currently playing, press the eject button. You will see “EJEC” in the display. When you remove the disc from the slot, the system automatically begins the Load sequence so you can load another CD in that position. If you do not load another CD, after ten seconds the system begins playing the next disc in the changer. If the changer is empty, the system selects the previous mode (AM, FM, or Tape).

If you do not remove the disc from the slot, the system will reload the disc after 15 seconds and put the CD changer in pause mode. To begin playing the disc, press the CD button.

To remove a different CD from the changer, first select it with the appropriate preset button. When that CD begins playing, press the eject button.



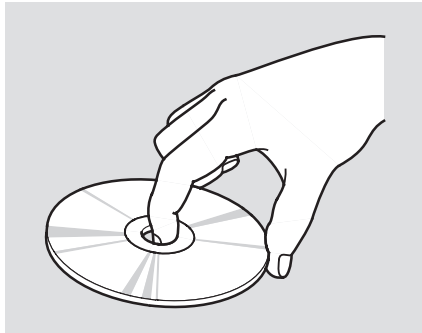
Audio System

If you press the Eject button while listening to the radio or tape, or with the audio system turned off, the disc that was last selected is ejected. After that disc is ejected, pressing the Eject button again will eject the next disc in the numerical order. By doing this six times, you can remove all the CDs from the changer.

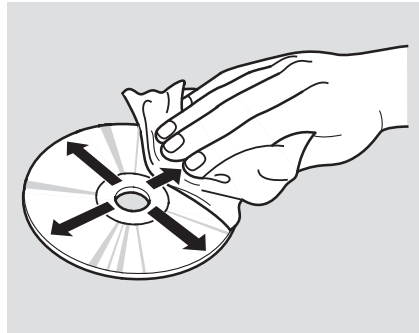
In any mode, if you press the eject button and hold it until you hear a beep, the system will eject all of the discs in the changer.

You can also eject discs when the ignition switch is off. The disc that was last selected is ejected first. You can eject up to six discs, one at a time.

Protecting Compact Discs

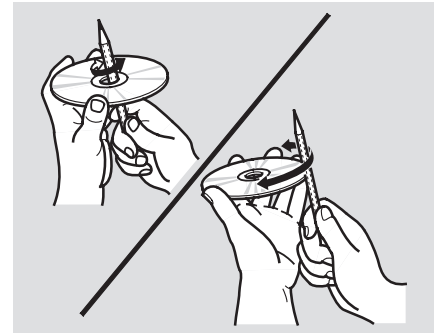


Handle a CD by its edges; never touch either surface. Do not place stabilizer rings or labels on the CD. These, along with contamination from fingerprints, liquids, and felt-tip pens, can cause the CD to not play properly, or possibly jam in the drive.



When a CD is not being played, store it in its case to protect it from dust and other contamination. To prevent warpage, keep CDs out of direct sunlight and extreme heat.

To clean a disc, use a clean soft cloth. Wipe across the disc from the center to the outside edge.



A new CD may be rough on the inner and outer edges. The small plastic pieces causing this roughness can flake off and fall on the recording surface of the disc, causing skipping or other problems. Remove these pieces by rubbing the inner and outer edges with the side of a pencil or pen.

Never try to insert foreign objects in the CD player or the magazine.

Audio System

CD Changer Error Indications

If you see an error indication in the display while operating the CD changer, find the cause in the chart to the right. If you cannot clear the error indication, take the car to your Acura dealer.

Indication	Cause	Solution
$\text{E}d \text{ E}r \text{ E}0$	Disc-changer malfunction.	Consult your Acura dealer.
$\text{E}d \text{ E}r \text{ -}H$	High Temperature.	Will disappear when the temperature returns to normal.
$\text{E}d \text{ E}r \text{ E}1$	Disc-changer malfunction.	Consult your Acura dealer.

Theft Protection

Only on U.S. model

Your car's audio system will disable itself if it is disconnected from electrical power for any reason. To make it work again, the user must enter a specific five-digit code in the Preset buttons. Because there are hundreds of number combinations possible from five digits, making the system work without knowing the exact code is nearly impossible.

You should have received a card that lists your audio system's code number and serial number. It is best to store this card in a safe place at home. In addition, you should write the audio system's serial number in this Owner's Manual. If you should happen to lose the card, you must obtain the code number from your Honda dealer. To do this, you will need the system's serial number.

If your car's battery is disconnected or goes dead, or the radio fuse is removed, the audio system will disable itself. If this happens, you will see “ E00E ” in the frequency display the next time you turn on the system. Use the Preset buttons to enter the five-digit code. If it is entered correctly, the radio will start playing.

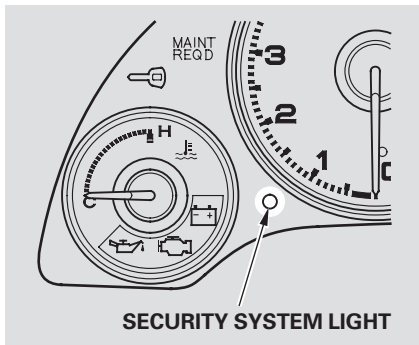
If you make a mistake entering the code, do not start over or try to correct your mistake. Complete the five-digit sequence, then enter the correct code. You have ten tries to enter the correct code. If you are unsuccessful in ten attempts, you must then leave the system on for one hour before trying again.

You will have to store your favorite stations in the Preset buttons after the system begins working. Your original settings were lost when power was disconnected.

Security System

The security system helps to protect your car and valuables from theft. The horn sounds and a combination of headlights, parking lights, side marker lights and taillights flashes if someone attempts to break into your car or remove the radio. This alarm continues for two minutes, then the alarm stops. To reset an alarming system before the two minutes have elapsed, unlock either door with the key or the remote transmitter.

The security system sets automatically fifteen seconds after you lock the doors, hood, and hatch. The security system indicator on the instrument panel starts blinking immediately to show you the system is setting itself.



Once the security system is set, opening either door (without using the key or the remote transmitter), or the hood, will cause it to alarm. It also alarms if the radio is removed from the dashboard or the wiring is cut.

The security system will not set if the hood, hatch, or either door is not fully closed. If the system will not set, check the Door Open Indicator on the instrument panel (see page 61), to see if the doors are fully closed. Since they are not part of the monitor display, manually check the hood and hatch.

Do not attempt to alter this system or add other devices to it.

U.S.: All models

Canada: Premium and Type-S
models only

Cruise control allows you to maintain a set speed above 25 mph (40 km/h) without keeping your foot on the accelerator pedal. It should be used for cruising on straight, open highways. It is not recommended for conditions such as city driving, winding roads, slippery roads, heavy rain, or bad weather. You should have full control of the car under those conditions.

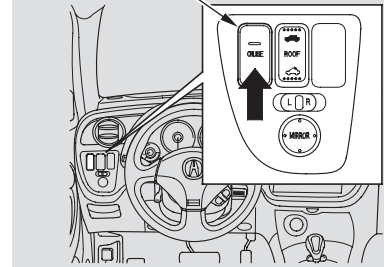
⚠ WARNING

Improper use of the cruise control can lead to a crash.

Use the cruise control only when traveling on open highways in good weather.

Using the Cruise Control

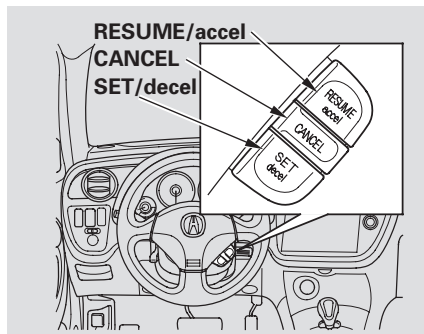
CRUISE CONTROL MASTER SWITCH



1. Push in the Cruise Control Master Switch to the left of the steering column. The indicator in the switch will light.
2. Accelerate to the desired cruising speed above 25 mph (40 km/h).

CONTINUED

Cruise Control



3. Press and release the SET/decel button on the steering wheel. The CRUISE CONTROL light on the instrument panel comes on to show the system is now activated.

The cruise control may not hold the set speed when you are going up and down hills. If your speed increases going down a hill, use the brakes to slow down to the desired speed. This will cancel the cruise control. To resume the set speed, press the RESUME/accel button. The CRUISE CONTROL light on the instrument panel comes on.

When climbing a steep hill, the automatic transmission may downshift to hold the set speed.

Changing the Set Speed

You can increase the set cruising speed in either of two ways:

- Press and hold the RESUME/accel button. The car will accelerate. When you reach the desired cruising speed, release the button.
- Push on the accelerator pedal. Accelerate to the desired cruising speed and press the SET/decel button.
- To increase your speed in very small amounts, tap the RESUME/accel button repeatedly. Each time you do this, your car will speed up about 1 mph (1.6 km/h).

You can decrease the set cruising speed in either of two ways:

- Press and hold the SET/decel button. The car will decelerate. Release the button when you reach the desired speed.
- To slow down in very small amounts, tap the SET/decel button repeatedly. Each time you do this, your car will slow down about 1 mph (1.6 km/h).
- Tap the brake or clutch pedal lightly with your foot. The CRUISE CONTROL light on the instrument panel will go out. When the car slows to the desired speed, press the SET/decel button. The car will then maintain the desired speed.

Even with the cruise control turned on, you can still use the accelerator pedal to speed up for passing. After completing the pass, take your foot off the accelerator pedal. The car will return to the set cruising speed.

Resting your foot on the brake or clutch pedal will cause the cruise control to cancel.

CONTINUED

Cruise Control

Canceling the Cruise Control

You can cancel the cruise control in any of these ways:

- Tap the brake or clutch pedal.
- Push the CANCEL button on the steering wheel.
- Press the Cruise Control Master Switch.

When you push the CANCEL button, or tap the brake or clutch pedal, the CRUISE CONTROL light on the instrument panel will go out and the car will begin to slow down. You can use the accelerator pedal in the normal way.

The system remembers the previously-set cruising speed. To return to that speed, accelerate to above 25 mph (40 km/h), then press the RESUME/accel button. The CRUISE CONTROL light comes on, and the car will accelerate to the same cruising speed as before.

Pressing the Cruise Control Master Switch turns the system completely off and erases the previous cruising speed from memory. To use the system again, refer to ***Using the Cruise Control***.

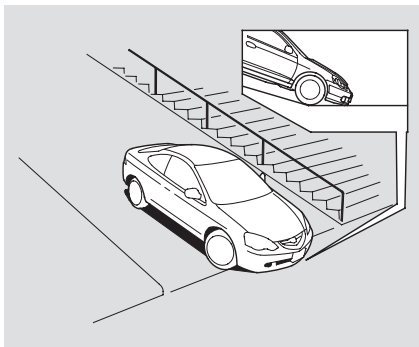
Before you begin driving your Acura, you should know what gasoline to use, and how to check the levels of important fluids. You also need to know how to properly store luggage or packages. The information in this section will help you. If you plan to add any accessories to your car, please read the information in this section first.

General Precautions	154
Break-in Period	155
Gasoline	155
Service Station Procedures	156
Filling the Fuel Tank.....	156
Opening the Hood	157
Oil Check	159
Engine Coolant Check	160
Fuel Economy	161
Vehicle Condition	161
Driving Habits.....	161
Accessories and Modifications	162
Carrying Cargo	164

General Precautions

Type-S model

Your Acura is designed to give you optimum handling and performance on well-maintained roads. As part of this design, your car has a minimum of ground clearance.



- Use caution if you should drive your car on very rough or rutted roads. You could damage the suspension and underbody by bottoming out. Going too fast over parking lot “speed bumps” can also cause damage.

- Curbs and steep inclines could damage the front and rear bumpers. Low curbs that do not affect the average car may be high enough to hit the bumper on your Acura. The front or rear bumper may scrape when trying to drive onto an incline, such as a steep driveway or trailer ramps.

Break-in Period

Help assure your car's future reliability and performance by paying extra attention to how you drive during the first 600 miles (1,000 km). During this period:

- Avoid full-throttle starts and rapid acceleration.
- Avoid hard braking. New brakes need to be broken-in by moderate use for the first 200 miles (300 km).
- Do not change the oil until the recommended time or mileage interval shown in the maintenance schedule.

You should follow these same recommendations with an overhauled or exchanged engine, or when the brakes are relined.

Gasoline

Your Acura is designed to operate on unleaded gasoline.

We recommend gasolines containing detergent additives that help prevent fuel system and engine deposits.

Using gasoline containing lead will damage your car's emissions controls. This contributes to air pollution.

In Canada, some gasolines contain an octane-enhancing additive called MMT. If you use such gasolines, your emissions control system performance may deteriorate and the Malfunction Indicator Lamp on your instrument panel may turn on. If this happens, contact your authorized Acura dealer for service.

(All models except Type-S)

Use an unleaded gasoline with a pump octane number of 86 or higher. Use of a lower octane gasoline can cause a persistent, heavy metallic rapping noise in the engine that can lead to mechanical damage.

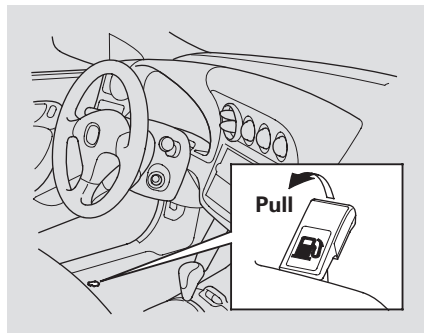
(Type-S)

Use a premium unleaded gasoline with a pump octane number of 91 or higher.

Use of a lower octane gasoline can cause occasional metallic knocking noises in the engine and will result in decreased engine performance.

Service Station Procedures

Filling the Fuel Tank

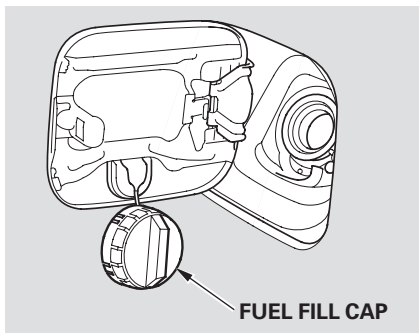


1. Because the fuel fill cap is on the driver's side of the car, park with that side closest to the service station pumps.
2. Open the fuel fill door by pulling on the handle to the left of the driver's seat.

⚠ WARNING

Gasoline is highly flammable and explosive. You can be burned or seriously injured when handling fuel.

- Stop the engine and keep heat, sparks, and flame away.
- Handle fuel only outdoors.
- Wipe up spills immediately.



3. Remove the fuel fill cap slowly. You may hear a hissing sound as pressure inside the tank escapes. Put the attachment on the fuel fill cap into the slit on the fuel fill door.
4. Stop filling the tank after the fuel nozzle automatically clicks off. Do not try to "top off" the tank, leave some room for the fuel to expand with temperature changes.

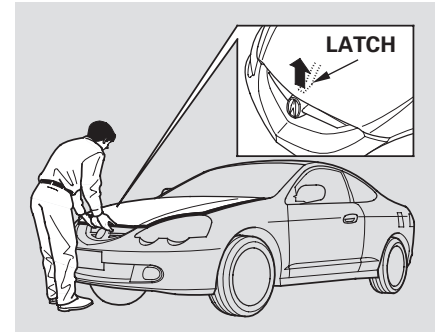
Your car has an on-board refueling vapor recovery system to help keep fuel vapors from going into the atmosphere. If the fuel nozzle keeps clicking off even though the tank is not full, there may be a problem with this system. Consult your dealer.

5. Screw the fuel fill cap back on, tighten it until it clicks several times. If you do not properly tighten the cap, the Malfunction Indicator Lamp may come on (see page 276).
6. Push the fuel fill door closed until it latches.

Opening the Hood



1. Shift to Park or Neutral and set the parking brake. Pull the hood release handle located under the lower left corner of the dashboard. The hood will pop up slightly.

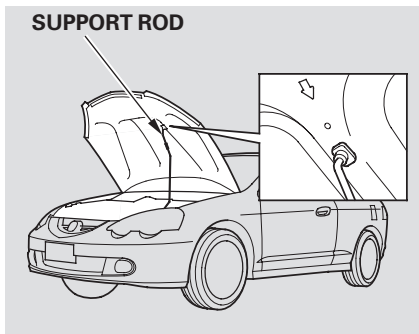


2. To find the hood latch handle, put your fingers under the front edge of the hood just to left of center. Lift up the hood latch handle until it releases the hood. Lift the hood.

CONTINUED

Service Station Procedures

If you can open the hood without lifting the hood latch handle, or the hood latch handle moves stiffly or does not spring back as before, the mechanism should be cleaned and lubricated (see page [224](#)).

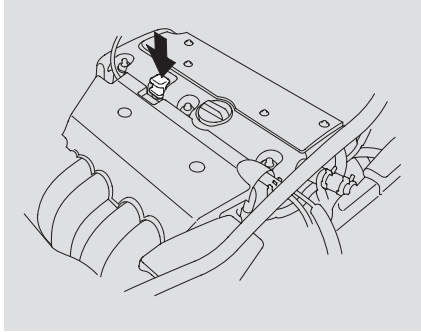


3. Pull the support rod out of its clip and insert the end into the hole on the left side of the hood.

To close the hood, lift it up slightly to remove the support rod from the hole. Put the support rod back into its holding clip. Lower the hood to about a foot (30 cm) above the fender, then let it drop.

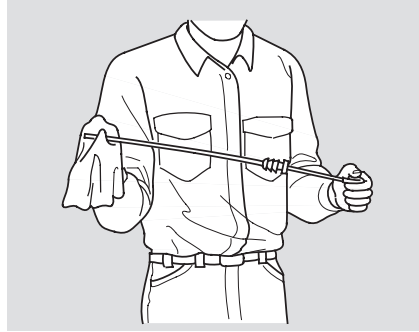
After closing the hood, make sure it is securely latched.

Oil Check

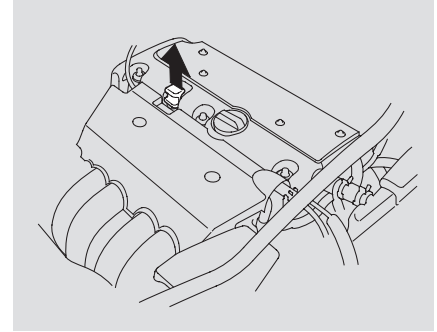


Check the engine oil level every time you fill the car with fuel. Wait a few minutes after turning the engine off before you check the oil.

1. Remove the dipstick (orange handle).



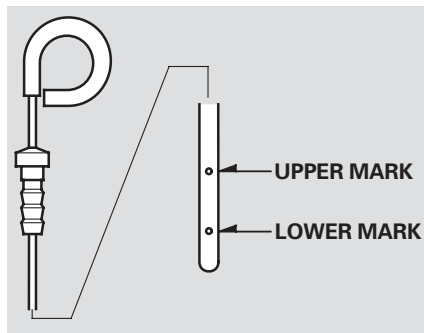
2. Wipe the dipstick with a clean cloth or paper towel.



3. Insert it all the way back in its tube.

CONTINUED

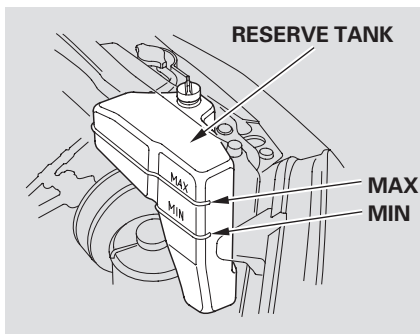
Service Station Procedures



4. Remove the dipstick again and check the level. It should be between the upper and lower marks.

If it is near or below the lower mark, see **Adding Oil** on page [207](#).

Engine Coolant Check



Look at the coolant level in the radiator reserve tank. Make sure it is between the MAX and MIN lines. If it is below the MIN line, see **Adding Engine Coolant** on page [212](#) for information on adding the proper coolant.

Refer to **Owner Maintenance Checks** on page [205](#) for information on checking other items in your Acura.

The condition of your car and your driving habits are the two most important things that affect the fuel mileage you get.

Vehicle Condition

Always maintain your car according to the maintenance schedule. This will keep it in top operating condition.

An important part of that maintenance is the **Owner Maintenance Checks** (see page 205). For example, an underinflated tire causes more “rolling resistance,” which uses fuel. It also wears out faster, so check the tire pressure at least monthly.

In winter, the build-up of snow on your car’s underside adds weight and rolling resistance. Frequent cleaning helps your fuel mileage and reduces the chance of corrosion.

Driving Habits

You can improve fuel economy by driving moderately. Rapid acceleration, abrupt cornering, and hard braking use more fuel.

Always drive in the highest gear that allows the engine to run and accelerate smoothly.

Depending on traffic conditions, try to maintain a constant speed. Every time you slow down and speed up, your car uses extra fuel. Use the cruise control, when appropriate, to increase fuel economy.

A cold engine uses more fuel than a warm engine. It is not necessary to “warm-up” a cold engine by letting it idle for a long time. You can drive away in about a minute, no matter how cold it is outside. The engine will warm up faster, and you get better fuel economy. To cut down on the number of “cold starts,” try to combine several short trips into one.

The air conditioning puts an extra load on the engine which makes it use more fuel. Turn off the A/C to cut down on air conditioning use. Use the flow-through ventilation when the outside air temperature is moderate.

Accessories and Modifications

Modifying your car, or installing some non-Acura accessories, can make your car unsafe. Before you make any modifications or add any accessories, be sure to read the following information.

Accessories

Your dealer has Acura accessories that allow you to personalize your car. These accessories have been designed and approved for your car, and are covered by warranty.

Non-Acura accessories are usually designed for universal applications. Although aftermarket accessories may fit on your car, they may not meet factory specifications, and could adversely affect your car's handling and stability. (See "Modifications" on page 163 for additional information.)

⚠ WARNING

Improper accessories or modifications can affect your car's handling, stability, and performance, and cause a crash in which you can be hurt or killed.

Follow all instructions in this owner's manual regarding accessories and modifications.

When properly installed, cellular phones, alarms, two-way radios, and low-powered audio systems should not interfere with your car's computer-controlled systems, such as the SRS and anti-lock brake system.

However, if electronic accessories are improperly installed, or exceed your car's electrical system capacity, they can interfere with the operation

of your car, or even cause the airbags to deploy.

Before installing any accessory:

- Make sure the accessory does not obscure any lights, or interfere with proper car operation or performance.
- Be sure electronic accessories do not overload electrical circuits (see page 280).
- Have the installer contact your Acura dealer for assistance before installing any electronic accessory.

If possible, have your dealer inspect the final installation.

Modifications

Removing parts from your vehicle, or replacing components with non-Acura (aftermarket) components could seriously affect your vehicle's handling, stability, and reliability.

Some examples are:

- Lowering the vehicle with an aftermarket suspension kit that significantly reduces ground clearance can allow the undercarriage to impact speed bumps or other raised objects, which could cause the airbags to deploy.
- Raising the vehicle with an aftermarket suspension kit can affect the handling and stability.
- Aftermarket wheels, because they are a universal design, can cause excessive stress on suspension components.

- Larger or smaller wheels and tires can interfere with the operation of your vehicle's anti-lock brakes and other systems.

Do not modify your steering wheel or any other part of your Supplemental Restraint System. Modifications could make the system ineffective.

If you plan to modify your vehicle, consult with your Acura dealer.

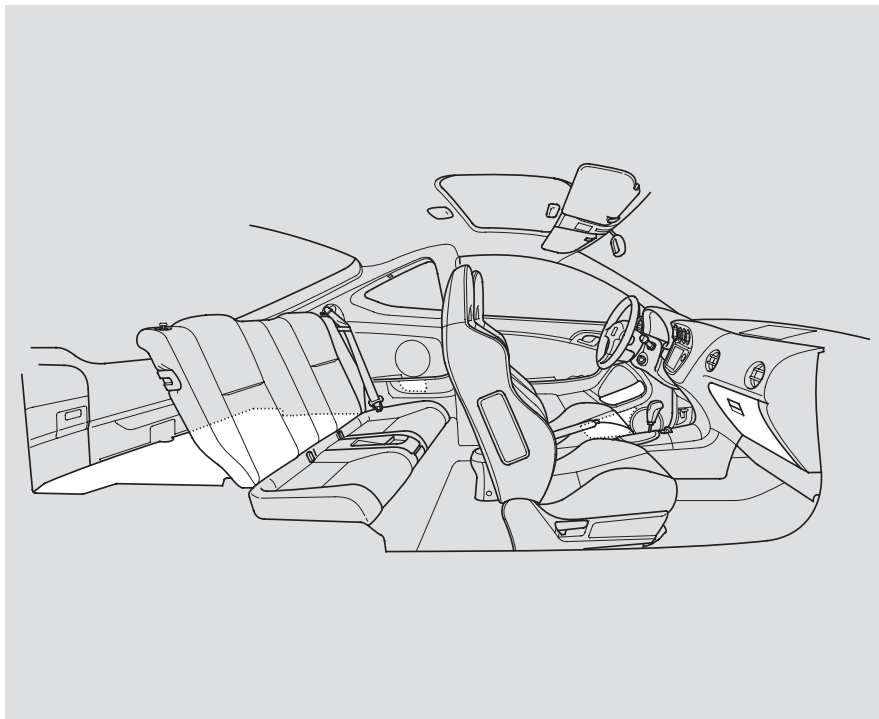
Additional Safety Precautions

- ***Do not attach or place objects on the front airbag covers.*** Any object attached to or placed on the covers marked "SRS AIRBAG" in the center of the steering wheel and on top of the dashboard could interfere with the proper operation of the airbags. Or, if the airbags inflate, the objects could be propelled inside the car and hurt someone.

- ***Do not attach hard objects on or near a door.*** If a side airbag inflates, a cup holder or other hard object attached on or near the door could be propelled inside the car and hurt someone.

- ***Do not place any objects over the outside edge of a front seat-back.*** Covering the outside edge of a front seat-back, with a non-Acura seat cover for example, could prevent the airbag from inflating properly.

Carrying Cargo



Your car has several convenient storage areas so you can stow cargo safely.

The glove box, and the pockets in the doors and on the passenger's seat-back are designed for small, lightweight items. The cargo area is intended for larger, heavier items. In addition, the back seat can be folded down to allow you to carry more cargo or longer items.

However, carrying too much cargo, or improperly storing it, can affect your car's handling, stability, and operation, and make it unsafe. Before carrying any type of cargo, be sure to read the following pages.

Load Limit

The maximum load for your car is 700 lbs (325 kg).

This figure includes the total weight of all occupants, cargo, accessories, and the tongue weight if you are towing a trailer.

To figure out how much cargo you can carry:

- Add up the weight of all occupants.
- If you are towing a trailer, add the tongue weight to the number above.
- Subtract the total from 700 lbs (325 kg).

The final number is the total weight of cargo you can carry.

WARNING

Overloading or improper loading can affect handling and stability and cause a crash in which you can be hurt or killed.

Follow all load limits and other loading guidelines in this manual.

Carrying Items in the Passenger Compartment

- Store or secure all items that could be thrown around and hurt someone during a crash.
- Be sure items placed on the floor behind the front seats cannot roll under the seats and interfere with the driver's ability to operate the pedals, or with the proper operation of the seats.
- Keep the glove box closed while driving. If it is open, a passenger could injure their knees during a crash or sudden stop.

Carrying Cargo

Carrying Cargo in the Cargo Area or on a Roof Rack

- Distribute cargo evenly on the floor of the cargo area, placing the heaviest items on the bottom and as far forward as possible.
 - If you fold down the back seat, tie down items that could be thrown about the car during a crash or sudden stop.
 - Do not place items on the cargo area cover, or stack objects higher than the top of the back seat. They could block your view and be thrown about the car during a crash or sudden stop.
- If you carry large items that prevent you from closing the hatch, exhaust gas can enter the passenger area. To avoid the possibility of carbon monoxide poisoning, follow the instructions on page 49 .
 - If you can carry any items on a roof rack, be sure the total weight of the rack and the items does not exceed the maximum allowable weight. Please contact your Acura dealer for further information.

This section gives you tips on starting the engine under various conditions, and how to operate the 5-speed and 6-speed manual transmissions and automatic transmission. It also includes important information on parking your car, the braking system, and facts you need if you are planning to tow a trailer.

Preparing to Drive	168
Starting the Engine.....	169
Starting in Cold Weather at High Altitude	169
5-speed and 6-speed Manual Transmissions.....	170
Recommended Shift Points.....	171
Engine Speed Limiter	171
Reverse Lockout.....	172
Automatic Transmission.....	173
Shift Lever Position Indicator ..	173
Shift Lever Positions	173
Engine Speed Limiter	178
Shift Lock Release.....	179
Parking.....	180
The Braking System.....	181
Brake Wear Indicators.....	181
Brake System Design.....	182
Anti-lock Brakes	182
Important Safety Reminders	183
ABS Indicator	183
Driving in Bad Weather	184
Towing a Trailer	186

Preparing to Drive

You should do the following checks and adjustments every day before you drive your car.

1. Make sure all windows, mirrors, and outside lights are clean and unobstructed. Remove frost, snow, or ice.
2. Check that the hood and hatch are fully closed.
3. Visually check the tires. If a tire looks low, use a gauge to check its pressure.
4. Check that any items you may be carrying with you inside are stored properly or fastened down securely.
5. Check the adjustment of the seat (see page [86](#)).
6. Check the adjustment of the inside and outside mirrors (see page [95](#)).
7. Check the adjustment of the steering wheel (see page [74](#)).
8. Make sure the doors and hatch are securely closed and locked.
9. Fasten your seat belt. Check that your passengers have fastened their seat belts (see page [16](#)).
10. Turn the ignition switch ON (II). Check the indicator lights in the instrument panel.
11. Start the engine (see page [169](#)).
12. Check the gauges and indicator lights in the instrument panel (see page [59](#)).

1. Apply the parking brake.
2. In cold weather, turn off all electrical accessories to reduce the drain on the battery.
3. *Manual Transmission:*
Push the clutch pedal down all the way. START (III) does not function unless the clutch pedal is depressed.

Automatic Transmission:
Make sure the shift lever is in Park. Press on the brake pedal.
4. Without touching the accelerator pedal, turn the ignition key to the START (III) position. If the engine does not start right away, do not hold the key in START (III) for more than 15 seconds at a time. Pause for at least 10 seconds before trying again.

5. If the engine does not start within 15 seconds, or starts but stalls right away, repeat step 4 with the accelerator pedal pressed half-way down. If the engine starts, release pressure on the accelerator pedal so the engine does not race.
6. If the engine still does not start, press the accelerator pedal all the way down and hold it there while starting in order to clear flooding. As before, keep the ignition key in the START (III) position for no more than 15 seconds. Return to step 5 if the engine does not start. If it starts, lift your foot off the accelerator pedal so the engine does not race.

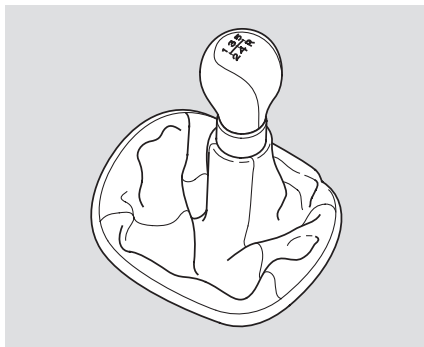
Starting in Cold Weather at High Altitude (Above 8,000 feet/ 2,400 meters)

An engine is harder to start in cold weather. The thinner air found at high altitude above 8,000 feet

(2,400 meters) adds to the problem. Use the following procedure:

1. Turn off all electrical accessories to reduce the drain on the battery.
2. Push the accelerator pedal half-way to the floor and hold it there while starting the engine. Do not hold the ignition key in START (III) for more than 15 seconds. When the engine starts, release the accelerator pedal gradually as the engine speeds up and smooths out.
3. If the engine fails to start in step 2, push the accelerator pedal to the floor and hold it there while you try to start the engine for no more than 15 seconds. If the engine does not start, return to step 2.

5-speed and 6-speed Manual Transmissions



The manual transmission is synchronized in all forward gears for smooth operation. It has a lockout so you cannot shift directly from Fifth to Reverse. When shifting up or down, make sure you push the clutch pedal down all the way, shift to the next gear, and let the pedal up gradually. When you are not shifting, do not rest your foot on the clutch pedal. This can cause your clutch to wear out faster.

Come to a full stop before you shift into Reverse. You can damage the transmission by trying to shift into Reverse with the car moving. Push down the clutch pedal, and pause for a few seconds before shifting into Reverse, or shift into one of the forward gears for a moment. This stops the gears so they won't "grind."

When slowing down, you can get extra braking from the engine by shifting to a lower gear. This extra braking can help you maintain a safe speed and prevent your brakes from overheating while going down a steep hill. Before downshifting, make sure engine speed will not go into the tachometer's red zone in the lower gear.

⚠ WARNING

Rapid slowing or speeding-up can cause loss of control on slippery surfaces. If you crash, you can be injured.

Use extra care when driving on slippery surfaces.

5-speed and 6-speed Manual Transmissions

Recommended Shift Points

Drive in the highest gear that lets the engine run and accelerate smoothly. This will give you the best fuel economy and effective emissions control. The following shift points are recommended:

5-speed

Shift up	Normal acceleration
1st to 2nd	14 mph (23 km/h)
2nd to 3rd	25 mph (40 km/h)
3rd to 4th	40 mph (64 km/h)
4th to 5th	49 mph (79 km/h)

6-speed

Shift up	Normal acceleration
1st to 2nd	14 mph (23 km/h)
2nd to 3rd	25 mph (40 km/h)
3rd to 4th	40 mph (64 km/h)
4th to 5th	49 mph (79 km/h)
5th to 6th	54 mph (87 km/h)

5-speed

Shift up	Cruise from acceleration
1st to 2nd	7 mph (11 km/h)
2nd to 3rd	23 mph (37 km/h)
3rd to 4th	33 mph (53 km/h)
4th to 5th	45 mph (72 km/h)

6-speed

Shift up	Cruise from acceleration
1st to 2nd	7 mph (11 km/h)
2nd to 3rd	23 mph (37 km/h)
3rd to 4th	33 mph (53 km/h)
4th to 5th	45 mph (72 km/h)
5th to 6th	50 mph (80 km/h)

Engine Speed Limiter

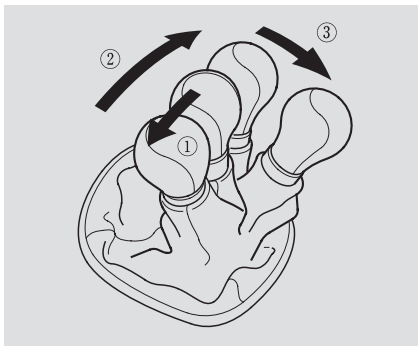
If you exceed the maximum speed for the gear you are in, the engine speed will enter into the tachometer's red zone. If this occurs, you may feel the engine cut in and out. This is caused by a limiter in the engine's computer controls. The engine will run normally when you reduce the RPM below the red zone.

Before downshifting, make sure the engine will not go into the tachometer's red zone.

5-speed and 6-speed Manual Transmissions

Reverse Lockout

The 6-speed manual transmission has an electric lockout so you cannot accidentally shift from Fifth to Reverse instead of Sixth. If you cannot shift to Reverse when the car is stopped:



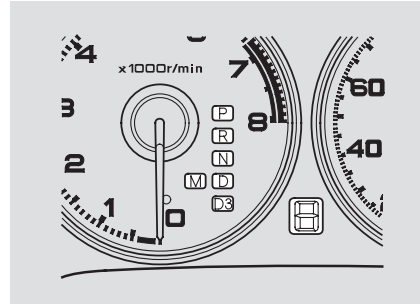
1. With the clutch pedal depressed, move the shift lever to the First/Second gear side of the Neutral gate, then shift to Reverse.

2. If you are still unable to shift to Reverse, apply the parking brake and turn the ignition key to ACCESSORY (I) or LOCK (0).
3. Depress the clutch pedal and shift to Reverse.
4. With the clutch pedal still depressed, start the engine.

If you need to use this procedure to shift to Reverse, your car may be developing a problem. Have the car checked by your Acura dealer.

Your Acura's transmission has five forward speeds, and is electronically controlled for smoother shifting. It also has a "lock-up" torque converter for better fuel economy. You may feel what seems like another shift when the converter locks.

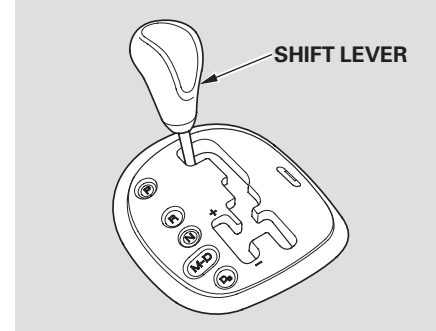
Shift Lever Position Indicator



This indicator on the instrument panel shows which position the shift lever is in.

The "D" indicator comes on for a few seconds when you turn the ignition switch ON (II). If it flashes at any time (in any shift position), it indicates a possible problem in the transmission. Avoid rapid acceleration and have the transmission checked by an authorized Acura dealer as soon as possible.

Shift Lever Positions



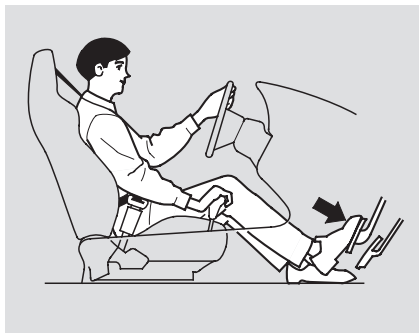
The shift lever has five positions. It must be in Park or Neutral to start the engine. When you are stopped in D, D₃, N, R or the manual mode, press firmly on the brake pedal and keep your foot off the accelerator pedal.

CONTINUED

Automatic Transmission

To shift from:	Do this:
P to R	Press the brake pedal, then move the shift lever.
R to N N to D D to D ₃ D ₃ to D D to N N to R R to P	Move the lever.

You cannot shift out of Park with the brake pedal depressed when the ignition switch is in LOCK (0) or ACCESSORY (I).



Park (P) – This position mechanically locks the transmission. Use Park whenever you are turning off or starting the engine. To shift out of Park, you must press on the brake pedal and have your foot off the accelerator pedal. Move the shift lever to the side to shift out of the Park position.

If you have done all of the above and still cannot move the lever out of Park, see Shift Lock Release on page 178.

To avoid transmission damage, come to a complete stop before shifting into Park. The shift lever must be in Park before you can remove the key from the ignition switch.

Reverse (R) – To shift to Reverse from Park, see the explanation under Park. To shift to Reverse from Neutral, come to a complete stop and then shift.

Your car has a reverse lockout so you cannot accidentally shift to Reverse from Neutral or any other driving position when the car speed exceeds 5–6 mph (8–10 km/h).

If you cannot shift to Reverse when the car is stopped, press the brake pedal and slowly shift to Neutral, and then to Reverse.

If there is a problem in the reverse lockout system, or your car's battery is disconnected or goes dead, you cannot shift to Reverse. (Refer to Shift Lock Release on page 178).

Neutral (N) – Use Neutral if you need to restart a stalled engine, or if it is necessary to stop briefly with the engine idling. Shift to Park position if you need to leave the car for any reason. Press on the brake pedal when you are moving the shift lever from Neutral to another gear.

Drive (D) – Use this position for your normal driving. The transmission automatically selects a suitable gear for your speed and acceleration.

Drive (D3) – This position is similar to D, except only the first three gears are selected. Use D3 when towing a trailer in hilly terrain, or to provide engine braking when going down a steep hill. D3 can also keep the transmission from cycling third, fourth and fifth gears in stop-and-go driving.

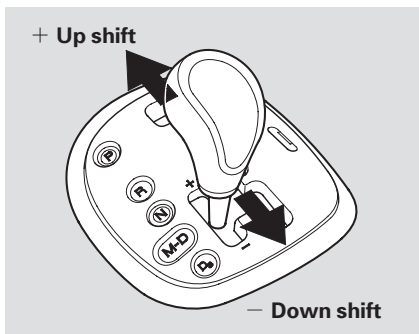
For faster acceleration when in D3 or D, you can get the transmission to automatically downshift by pushing the accelerator pedal to the floor. The transmission will shift down one, two or three gears, depending on your speed.

Automatic Transmission

Sequential SportShift Mode – With the shift lever in “D” position, you can select the Sequential SportShift Mode to shift gears; much like a manual transmission, but without a clutch pedal.

To enter the Sequential SportShift Mode, move the shift lever further to the driver’s side. To return to “D”, move the shift lever to the passenger’s side.

When you move the shift lever from “D” to the Sequential SportShift mode, the display shows the selected gear.



In Sequential SportShift mode, each time you push forward on the shift lever the transmission will shift to a higher gear. Pull back on the lever to downshift. The number of the gear selected is displayed on the instrument panel (see page [227](#)).

When you accelerate away from a stop, the transmission will be in first gear. The transmission will not automatically upshift. Watch the tachometer and upshift manually before the engine reaches redline.

The transmission remains in the selected gear (5, 4, 3, 2, or 1). There is no automatic downshift when you push the accelerator pedal to the floor.

The transmission may automatically downshift from the higher gear to the lower gear under the following conditions:

- The car speeds drops below
 - 5 → 4 : 33 mph (52 km/h)
 - 4 → 3 : 20 mph (32 km/h)
- If you drive uphill between
 - 5 → 4 : 45 – 33 mph (72 – 52 km/h)
 - 4 → 3 : 33 – 20 mph (52 – 32 km/h)
- If you press the brake pedal as you drive downhill.

Downshifting gives you more power when climbing or provides engine braking when going down a steep hill.

The transmission will also shift automatically as the car comes to a complete stop. It will downshift to first gear when the car speed is under 6 mph (10 km/h).

If you try to manually downshift at a speed that would cause the engine to exceed the redline in a lower gear, the transmission will not downshift. The gear indicator will flash the number of the lower gear several times, then return to the higher gear.

If the car speed slows to below the redline of the selected lower gear position while the indicator is flashing, the transmission will downshift and the display will show the selected lower gear.

The table shows the speed ranges for upshifting and downshifting.

To shift from	Speed range
1 → 2	over 0 mph (0 km/h)
2 → 3	over 6 mph (10 km/h)
3 → 4	over 20 mph (32 km/h)
4 → 5	over 33 mph (52 km/h)

Automatic Transmission

To shift from	Speed range
2 → 1	under 31 mph (50 km/h)
3 → 2	under 63 mph (100 km/h)
4 → 3	under 94 mph (150 km/h)
5 → 4	under 131 mph (210 km/h)

Starting in Second Gear

When you are in Sequential Sportshift mode, and the vehicle is stopped, push forward on the shift lever to shift to second gear. You will see “2” in the display. Starting out in second gear will help to reduce wheelspin in deep snow or on a slippery surface.

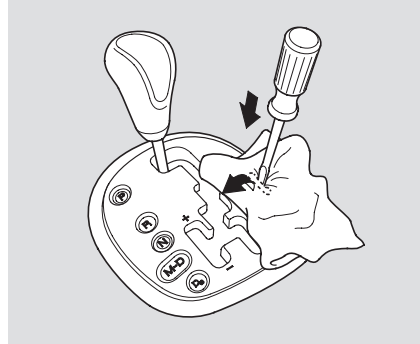
Engine Speed Limiter

If you exceed the maximum speed for the gear you are in, the engine speed will enter into the tachometer’s red zone. If this occurs, you may feel the engine cut in and out. This is caused by a limiter in the engine’s computer controls. The engine will run normally when you reduce the RPM below the red zone.

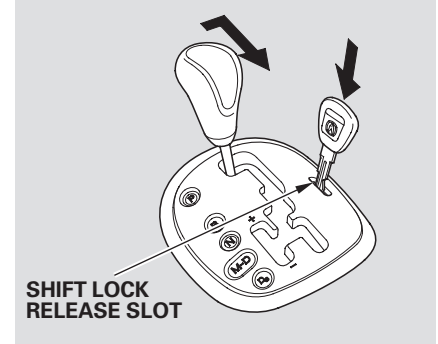
Shift Lock Release

This allows you to move the shift lever out of Park if the normal method of pushing on the brake pedal does not work.

1. Set the Parking brake.
2. Make sure the ignition switch is in LOCK (0) position.
3. Put a cloth on the edge of the Shift Lock Release slot cover next to the shift lever. Use a small flat-tipped screwdriver or small metal plate (neither are included in the tool kit) to remove the cover. Carefully pry on the edge of the cover.



4. Insert a small screwdriver in the Shift Lock Release slot.
5. Push down on the key while you move the shift lever out of Park to Neutral.



6. Remove the screwdriver from the shift lock release slot, then install a new cover. Depress the brake pedal and restart the engine.

If you need to use the Shift Lock Release, it means your car is developing a problem. Have the car checked by your Acura dealer.

Parking

Always use the parking brake when you park your car. The indicator on the instrument panel shows that the parking brake is not fully released; it does not indicate that the parking brake is firmly set. Make sure the parking brake is set firmly or your car may roll if it is parked on an incline.

If your car has an automatic transmission, set the parking brake before you put the transmission in Park. This keeps the car from moving and putting pressure on the parking mechanism in the transmission — making it easier to move the shift lever out of Park when you want to drive away.

If the car is facing uphill, turn the front wheels away from the curb. If you have a manual transmission, put it in first gear.

If the car is facing downhill, turn the front wheels toward the curb. If you have a manual transmission, put it in reverse gear.

Make sure the parking brake is fully released before driving away. Driving with the parking brake partially set can overheat or damage the rear brakes.

Parking Tips

- Make sure the moonroof and the windows are closed.
- Turn off the lights.
- Place any packages, valuables, etc., in the cargo area or take them with you.
- Lock the doors.
- Never park over dry leaves, tall grass, or other flammable materials. The three way catalytic converter gets very hot, and could cause these materials to catch on fire.

Your Acura is equipped with disc brakes at all four wheels. A power assist helps reduce the effort needed on the brake pedal. The ABS helps you retain steering control when braking very hard.

Put your foot on the brake pedal only when you intend to brake. Resting your foot on the pedal keeps the brakes applied lightly, causing them to build up heat. Heat build-up can reduce how well your brakes work. It also keeps your brake lights on all the time, confusing drivers behind you.

Constant application of the brakes when going down a long hill builds up heat and reduces their effectiveness. Use the engine to assist the brakes by downshifting to a lower gear and taking your foot off the accelerator pedal.

Check your brakes after driving through deep water. Apply the brakes moderately to see if they feel normal. If not, apply them gently and frequently until they do. Since a longer distance is needed to stop with wet brakes, be extra cautious and alert in your driving.

Brake Wear Indicators

All four brakes have audible brake wear indicators.

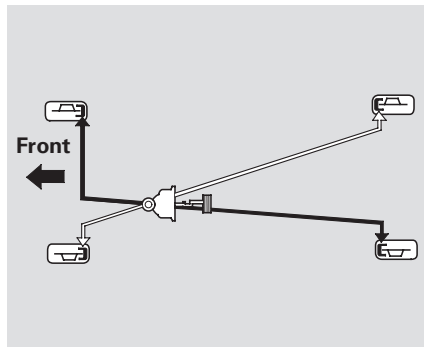
When the brake pads need replacing, you will hear a distinctive metallic “screeching” sound when you apply the brakes. If you do not have the brake pads replaced, they will begin screeching all the time.

Your brakes may sometimes squeal or squeak when you apply them lightly. Do not confuse this with the brake wear indicators. They make a very audible “screeching.”

The Braking System

Brake System Design

The hydraulic system that operates the brakes has two separate circuits. Each circuit works diagonally across the vehicle (the left-front brake is connected with the right-rear brake, etc.). If one circuit should develop a problem, you will still have braking at two wheels.



Anti-lock Brakes

U.S.: All models

Canada: Premium and Type-S models only

Your car has an Anti-lock Brake System (ABS) as standard equipment. ABS helps to prevent the wheels from locking up and skidding during hard braking, allowing you to retain steering control.

When the front tires skid, you lose steering control; the car continues straight ahead even though you turn the steering wheel. The ABS helps to prevent lock-up and helps you retain steering control by pumping the brakes rapidly; much faster than a person can do it.

You should never pump the brake pedal;

this defeats the purpose of the ABS. Let the ABS work for you by always keeping firm, steady pressure on the brake pedal as you steer away from the hazard. This is sometimes referred to as “stomp and steer.”

You will feel a pulsation in the brake pedal when the ABS activates, and you may hear some noise. This is normal; it is the ABS rapidly pumping the brakes.

Activation varies with the amount of traction your tires have. On dry pavement, you will need to press on the brake pedal very hard before you activate the ABS. However, you may feel the ABS activate immediately if you are trying to stop on snow or ice.

Important Safety Reminders

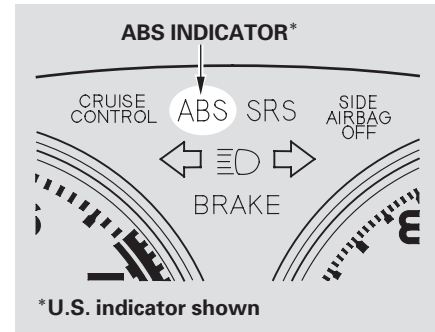
ABS does not reduce the time or distance it takes to stop the car; it only helps with steering control during braking. You should always maintain a safe following distance from other vehicles.

ABS will not prevent a skid that results from changing direction abruptly, such as trying to take a corner too fast or making a sudden lane change. Always drive at a safe, prudent speed for the road and weather conditions.

ABS cannot prevent a loss of stability. Always steer moderately when you are braking hard. Severe or sharp steering wheel movement can still cause your car to veer into oncoming traffic or off the road.

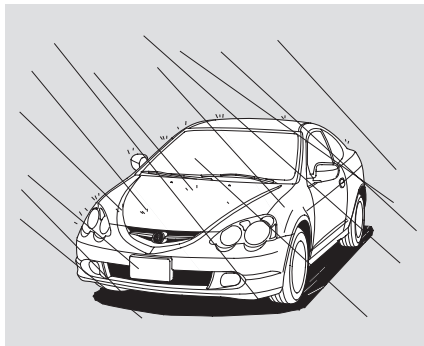
A vehicle with ABS may require a longer distance to stop on loose or uneven surfaces, such as gravel or snow, than a vehicle without anti-lock. Slow down and allow a greater distance between vehicles under those conditions.

ABS Indicator



The ABS is self-checking. If anything goes wrong, the ABS indicator on the instrument panel comes on (see page 61). This means the anti-lock function of the braking system has shut down. The brakes still work like a conventional system without anti-lock, providing normal stopping ability. You should have the dealer inspect your car as soon as possible.

Driving in Bad Weather



Rain, fog, and snow conditions require a different driving technique because of reduced traction and visibility. Keep your car well-maintained and exercise greater caution when you need to drive in bad weather. The cruise control should not be used in these conditions.

Driving Technique — Always drive slower than you would in dry weather. It takes your car longer to react, even in conditions that may seem just barely damp. Apply smooth, even pressure to all the controls. Abrupt steering wheel movements or sudden, hard application of the brakes can cause loss of control in wet weather. Be extra cautious for the first few miles (kilometers) of driving while you adjust to the change in driving conditions. This is especially true in snow. A person can forget some snow-driving techniques during the summer months. Practice is needed to relearn those skills.

Exercise extra caution when driving in rain after a long dry spell. After months of dry weather, the first rains bring oil to the surface of the roadway, making it slippery.

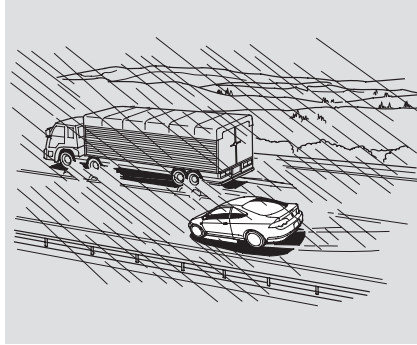
Visibility — Being able to see clearly in all directions and being visible to other drivers are important in all weather conditions. This is more difficult in bad weather. To be seen more clearly during daylight hours, turn on your headlights.

Inspect your windshield wipers and washers frequently. Keep the windshield washer reservoir full of the proper fluid. Have the windshield wiper blades replaced if they start to streak the windshield or leave parts unwiped. Use the defrosters and air conditioning to keep the windows from fogging up on the inside (see page 107).

Traction — Check your tires frequently for wear and proper pressure. Both are important in preventing “hydroplaning” (loss of traction on a wet surface). In the winter, mount snow tires on all four wheels for the best handling.

Watch road conditions carefully, they can change from moment to moment. Wet leaves can be as slippery as ice. “Clear” roads can have patches of ice. Driving conditions can be very hazardous when the outside temperature is near freezing. The road surface can become covered with areas of water puddles mixed with areas of ice, so your traction can change without warning.

Be careful when downshifting. If traction is low, you can lock up the drive wheels for a moment and cause a skid.

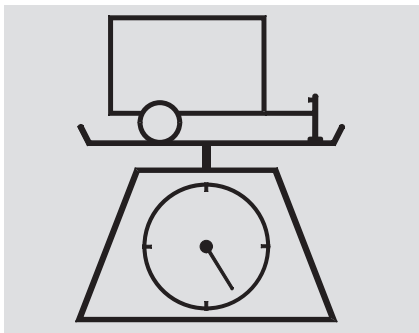


Be very cautious when passing, or being passed by other vehicles. The spray from large vehicles reduces your visibility, and the wind buffeting can cause you to lose control.

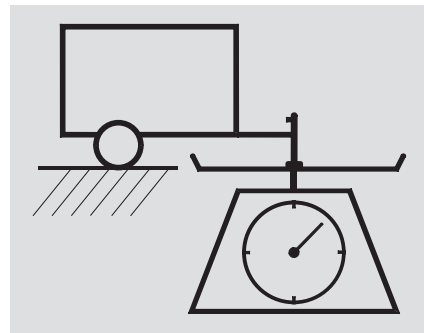
Towing a Trailer

Your Acura has been designed primarily to carry passengers and their cargo. You can use it to tow a trailer if you carefully observe the load limits, use the proper equipment, and follow the guidelines in this section.

Load Limits



- **Total Trailer Weight:** The total weight of the trailer and everything loaded in it must not exceed 1,000 lbs (450 kg). Towing a load that is too heavy can seriously affect your vehicle's handling and performance. It can also damage the engine and drivetrain.



- **Tongue Load:** The weight that the tongue of a fully-loaded trailer puts on the hitch should be approximately 10 percent of the trailer weight. Too little tongue load can make the trailer unstable and cause it to sway. Too much tongue load reduces front-tire traction and steering control.

To achieve a proper tongue load, start by loading 60 percent of the load toward the front of the trailer and 40 percent toward the rear, then re-adjust the load as needed.

- **Gross Vehicle Weight Rating (GVWR):**

The total weight of the vehicle, all occupants, all cargo, *and* the tongue load must not exceed:
3,660 lbs (1,660 kg)

- **Gross Axle Weight Rating (GAWR):**

The total weight of the vehicle, all occupants, all cargo, and the tongue load must not exceed:
1,950 lbs (885 kg)

on the front axle

1,775 lbs (805 kg)

on the rear axle

⚠ WARNING

Exceeding load limits or improperly loading your vehicle and trailer can cause a crash in which you can be seriously injured or killed.

Check the loading of your vehicle and trailer carefully before starting to drive.

Towing a Trailer

Checking Loads

The best way to confirm that vehicle and trailer weights are within limits is to have them checked at a public scale.

Using a suitable scale or a special tongue load gauge, check the tongue load the first time you set up a towing combination (a fully-loaded vehicle and trailer), then recheck the tongue load whenever the conditions change.

Towing Equipment and Accessories

Towing can require a variety of equipment, depending on the size of your trailer, how it will be used, and how much load you are towing.

Discuss your needs with your trailer sales or rental agency, and follow the guidelines in the rest of this section. Also make sure that all equipment is properly installed and that it meets federal, state, province, and local regulations.

Hitches

Any hitch used on your vehicle must be properly bolted to the underbody.

Safety Chains

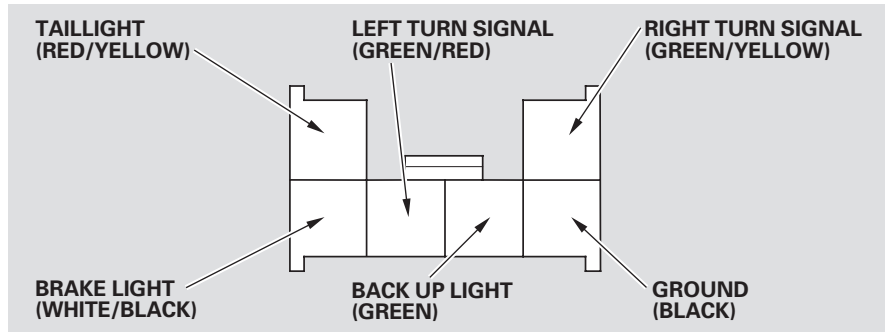
Always use safety chains. Make sure they are secured to both the trailer and hitch, and that they cross under the tongue so they can catch the trailer if it becomes unhitched. Leave enough slack to allow the trailer to turn corners easily, but do not let the chains drag on the ground.

Trailer Brakes

Acura recommends that any trailer having a total weight of 1,000 lbs (450 kg) or more be equipped with its own electric or surge-type brakes.

If you choose electric brakes, be sure they are electronically actuated. Do not attempt to tap into your vehicle's hydraulic system. No matter how successful it may seem, any attempt to attach trailer brakes to your vehicle's hydraulic system will lower braking effectiveness and create a potential hazard.

Trailer Lights



If you use a converter, you can get the connector and pins that mate with the connector in your vehicle from your Acura dealer.

Your vehicle has a trailer lighting connector located behind the right side panel in the cargo area. Refer to the drawing above for the wiring color code and purpose of each pin.

Since lighting and wiring vary in trailer type and brand, you should also have a qualified mechanic install a suitable connector between the vehicle and the trailer.

Towing a Trailer

Additional Trailer Equipment

Many states and Canadian provinces require special outside mirrors when towing a trailer. Even if they don't, you should install special mirrors if you cannot clearly see behind you, or if the trailer creates a blind spot.

Ask your trailer sales or rental agency if any other items are recommended or required for your towing situation.

Pre-Tow Checklist

When preparing to tow, and before driving away, be sure to check the following:

- The vehicle has been properly serviced, and the tires, brakes, suspension, and cooling system are in good operating condition.
- All weights and loads are within limits (see page [187](#)).
- The hitch, safety chains, and any other attachments are secure.
- All items on and in the trailer are properly secured and cannot shift while you drive.
- The lights and brakes on your vehicle and the trailer are working properly.

- Your vehicle tires and spare are properly inflated (see page [235](#)), and the trailer tires and spare are inflated as recommended by the trailer maker.

Driving Safely With a Trailer

The added weight, length, and height of a trailer will affect your vehicle's handling and performance, so driving with a trailer requires some special driving skills and techniques.

For your safety and the safety of others, take time to practice driving maneuvers before heading for the open road, and follow the guidelines discussed below.

Towing Speeds and Gears

Drive slower than normal in all driving situations, and obey posted speed limits for vehicles with trailers. If you have an automatic transmission, use D position when towing a trailer on level roads. D3 is the proper shift lever position to use when towing a trailer in hilly terrain. (See "***Driving on Hills***" in the next column for additional gear information.)

Making Turns and Braking

Make turns more slowly and wider than normal. The trailer tracks a smaller arc than your vehicle, and it can hit or run over something the vehicle misses. Allow more time and distance for braking. Do not brake or turn suddenly as this could cause the trailer to jackknife or turn over.

Driving on Hills

When climbing hills, closely watch your temperature gauge. If it nears the red (Hot) mark, turn the air conditioning off, reduce speed and, if necessary, pull to the side of the road to let the engine cool.

If the automatic transmission shifts frequently between 3rd and 4th gears while going up a hill, shift to D3.

Towing a Trailer

If you must stop when facing uphill, use the foot brake or parking brake. Do not try to hold the vehicle in place by pressing on the accelerator, as this can cause the automatic transmission to overheat.

When driving down hills, reduce your speed and shift down to 2nd gear. Do not “ride” the brakes, and remember it will take longer to slow down and stop when towing a trailer.

Handling Crosswinds and Buffeting

Crosswinds and air turbulence caused by passing trucks can disrupt your steering and cause trailer swaying. When being passed by a large vehicle, keep a constant speed and steer straight ahead. Do not try to make quick steering or braking corrections.

Backing Up

Always drive slowly and have someone guide you when backing up. Grip the *bottom* of the steering wheel; then turn the wheel to the left to get the trailer to move to the left, and turn the wheel right to move the trailer to the right.

Parking

Follow all normal precautions when parking, including firmly setting the parking brake and putting the transmission in Park (automatic) or in 1st or Reverse (manual). Also, place wheel chocks at each of the trailer’s tires.

This section explains why it is important to keep your car well maintained and how to follow basic maintenance safety precautions.

This section also includes Maintenance Schedules for normal driving and severe driving conditions, a Maintenance Record, and instructions for simple maintenance tasks you may want to take care of yourself.

If you have the skills and tools to perform more complex maintenance tasks on your Acura, you may want to purchase the Service Manual. See page 306 for information on how to obtain a copy, or see your Acura dealer.

Maintenance Safety.....	194	Spark Plugs.....	224
Important Safety Precautions ..	195	Replacement.....	224
Maintenance Schedule.....	196	Specifications	226
Required Maintenance Record....	203	Battery	226
Owner Maintenance Checks.....	205	Wiper Blades.....	229
Fluid Locations.....	206	Air Conditioning System.....	231
Engine Oil.....	207	Dust and Pollen Filter	232
Adding Oil.....	207	Drive Belts.....	234
Recommended Oil.....	207	Tires	235
Synthetic Oil.....	209	Inflation.....	235
Additives.....	209	Inspection	236
Changing the Oil and Filter.....	209	Maintenance.....	237
Cooling System	212	Tire Rotation	238
Adding Engine Coolant.....	212	Replacing Tires and Wheels	239
Replacing Engine Coolant	214	Wheels and Tires.....	240
Windshield Washers	216	Winter Driving	240
Transmission Fluid.....	217	Snow Tires.....	241
Automatic Transmission.....	217	Tire Chains.....	241
Manual Transmission	219	Lights	242
Brake and Clutch Fluid.....	219	Headlight Aiming	244
Brake System.....	220	Replacing Bulbs	244
Clutch System.....	220	Storing Your Car.....	252
Power Steering.....	221		
Air Cleaner Element.....	222		
Hood Latch.....	224		

Maintenance Safety

Regularly maintaining your car is the best way to protect your investment. Proper maintenance is essential to your safety and the safety of your passengers. It will also reward you with more economical, trouble-free driving, and help reduce air pollution.

WARNING

Improperly maintaining this car or failing to correct a problem before driving can cause a crash in which you can be seriously hurt or killed.

Always follow the inspection and maintenance recommendations and schedules in this owner's manual.

This section includes instructions for simple maintenance tasks, such as checking and adding oil. Any service items not detailed in this section should be performed by an Acura technician or other qualified mechanic.

Some of the most important safety precautions are given here. However, we cannot warn you of every conceivable hazard that can arise in performing maintenance. Only you can decide whether or not you should perform a given task.

WARNING

Failure to properly follow maintenance instructions and precautions can cause you to be seriously hurt or killed.

Always follow the procedures and precautions in this owner's manual.

Important Safety Precautions

Before you begin any maintenance, make sure your car is parked on level ground and that the parking brake is set. Also, be sure the engine is off. This will help to eliminate several potential hazards:

- **Carbon monoxide poisoning from engine exhaust.** Be sure there is adequate ventilation whenever you operate the engine.
- **Burns from hot parts.** Let the engine and exhaust system cool before touching any parts.
- **Injury from moving parts.** Do not run the engine unless instructed to do so.

Read the instructions before you begin, and make sure you have the tools and skills required.

To reduce the possibility of fire or explosion, be careful when working around gasoline or batteries. Use a commercially available degreaser or parts cleaner, not gasoline, to clean parts. Keep cigarettes, sparks, and flames away from the battery and all fuel-related parts.

You should wear eye protection and protective clothing when working near the battery or when using compressed air.

Maintenance Schedule

The Maintenance Schedule specifies how often you should have your car serviced and what things need attention. It is essential that you have your car serviced as scheduled to retain its high level of safety, dependability, and emissions control performance.

The services and time or distance intervals shown in the maintenance schedule assume you will use your car as normal transportation for passengers and their possessions. You should also follow these recommendations:

- Avoid exceeding your car's load limit. This puts excess stress on the engine, brakes, and many other parts of your car. The load limit is shown on the label on the driver's doorjamb.
- Operate your car on reasonable roads within the legal speed limit.
- Drive your car regularly over a distance of several miles (kilometers).
- Always use unleaded gasoline with the proper octane rating (see page [155](#)).

Which Schedule to Follow:

Service your car according to the time and mileage periods on one of the Maintenance Schedules on the following pages.

U.S. Owners – Follow the Maintenance Schedule for Severe Conditions if you drive your car **MAINLY** under one or more of the following conditions.

- Driving less than 5 miles (8 km) per trip or, in freezing temperatures, driving less than 10 miles (16 km) per trip.
- Driving in extremely hot [over 90° F (32° C)] conditions.
- Extensive idling or long periods of stop-and-go driving.

- Trailer towing, driving with a car top carrier, or driving in mountainous conditions.
- Driving on muddy, dusty, or de-iced roads.

NOTE: If you only OCCASIONALLY or NEVER, drive under a “severe” condition, you should follow the Maintenance Schedule for Normal Conditions.

Canadian Owners – Follow the Maintenance Schedule for Severe Conditions.

Your authorized Acura dealer knows your car best and can provide competent, efficient service. However, service at a dealer is not mandatory to keep your warranties in effect. Maintenance may be done by any qualified service facility or person who is skilled in this type of automotive service. Keep all the

receipts as proof of completion, and have the person who does the work fill out the Maintenance Record. Check your warranty booklet for more information.

We recommend the use of genuine Acura parts and fluids whenever you have maintenance done. These are manufactured to the same high-quality standards as the original components, so you can be confident of their performance and durability.

U.S. Vehicles:

Maintenance, replacement or repair of emissions control devices and systems may be done by any automotive repair establishment or individual using parts that are “certified” to EPA standards.

According to state and federal regulations, failure to perform maintenance on the items marked with # will not void your emissions warranties. However, Acura recommends that all maintenance services be performed at the recommended time or mileage period to ensure long-term reliability.

Service at the indicated distance or time – whichever comes first.	miles x 1,000	10	20	30	40	50	60	70	80	90	100	110	120					
	km x 1,000	16	32	48	64	80	96	112	128	144	160	176	192					
	months	12			24			36			48			60			72	
Check engine oil and coolant	Check oil and coolant at each fuel stop																	
Replace engine oil	•	•	•	•	•	•	•	•	•	•	•	•	•					
Rotate tires (Check tire inflation and condition at least once per month)																		
Replace engine oil filter																		
Inspect front and rear brakes																		
Check parking brake adjustment																		
Visually inspect the following items: Tie rod ends, steering gear box and boots, suspension components Driveshaft boots, brake hoses and lines (including ABS) All fluid levels and condition of fluids [‡] Exhaust system, [‡] fuel lines and connections		•		•		•		•		•		•						
Inspect and adjust drive belts			•			•			•				•					
Replace dust and pollen filter* ¹																		
Replace transmission fluid	M/T A/T												•					
At 120,000 miles (192,000 km) or 6 years, then every 90,000 miles (144,000 km) or 5 years																		
<i>Service the following items at the recommended intervals.</i>																		
Replace air cleaner element	Every 30,000 miles (48,000 km)																	
Replace spark plugs	Every 110,000 miles (176,000 km)																	
Inspect valve clearance	Inspect every 110,000 miles (176,000 km), otherwise adjust only if noisy																	
[‡] Inspect idle speed	Every 160,000 miles (256,000 km) or 8 years																	
Replace engine coolant	At 120,000 miles (192,000 km) or 10 years, then every 60,000 miles (96,000 km) or 5 years																	
Replace brake fluid	Every 3 years (independent of mileage)																	

* 1: See dust and pollen filter on page 232 for replacement information under special driving conditions.

: See information on maintenance and emissions warranty, last column, page 197 .

Service at the indicated distance or time, whichever comes first. Do the items in **A, B, C** as required for each distance/time interval.

U.S. Owners – Refer to page 196 to determine which schedule to use.

Canadian Owners – Use the Maintenance Schedule for Severe Conditions.

10,000 mi/16,000 km/1 yr	Do items in A.
20,000 mi/32,000 km/1 yr	Do items in A, B.
30,000 mi/48,000 km	<input type="checkbox"/> Replace air cleaner element (independent of time).
30,000 mi/48,000 km/2 yrs	Do items in A, C.
40,000 mi/64,000 km/2 yrs	Do items in A, B.
3 yrs	<input type="checkbox"/> Replace brake fluid (independent of mileage).
50,000 mi/80,000 km/3 yrs	Do items in A.
60,000 mi/96,000 km	<input type="checkbox"/> Replace air cleaner element (independent of time).
60,000 mi/96,000 km/3 yrs	Do items in A, B, C.
70,000 mi/112,000 km/4 yrs	Do items in A.
80,000 mi/128,000 km/4 yrs	Do items in A, B.
90,000 mi/144,000 km	<input type="checkbox"/> Replace air cleaner element (independent of time).
90,000 mi/144,000 km/5 yrs	Do items in A, C.
100,000 mi/160,000 km/5 yrs	Do items in A, B.
110,000 mi/176,000 km	<input type="checkbox"/> Inspect valve clearance, cold engine. <input type="checkbox"/> Replace spark plugs.
6 yrs	<input type="checkbox"/> Replace brake fluid (independent of mileage).
110,000 mi/176,000 km/6 yrs	Do items in A.
120,000 mi/192,000 km	<input type="checkbox"/> Replace air cleaner element (independent of time).
120,000 mi/192,000 km/6 yrs	<input type="checkbox"/> Replace transmission fluid (M/T, A/T). Do items in A, B, C.
9 yrs	<input type="checkbox"/> Replace brake fluid (independent of mileage).
120,000 mi/192,000 km/10 yrs	<input type="checkbox"/> Replace engine coolant.
160,000 mi/256,000 km/8 yrs	<input type="checkbox"/> Inspect idle speed.

A	<input type="checkbox"/> Replace engine oil. <input type="checkbox"/> Rotate tires (follow pattern on page 238).
B	<input type="checkbox"/> Replace engine oil filter. <input type="checkbox"/> Inspect front and rear brakes. <input type="checkbox"/> Check parking brake adjustment. <input type="checkbox"/> Inspect tie rod ends, steering gear box and boots. <input type="checkbox"/> Inspect suspension components. <input type="checkbox"/> Inspect driveshaft boots. <input type="checkbox"/> Inspect brake hoses and lines (including ABS). <input type="checkbox"/> Check all fluid levels, condition of fluids, and check for leaks. <input type="checkbox"/> Inspect exhaust system. <input type="checkbox"/> Inspect fuel lines and connections.
C	<input type="checkbox"/> Inspect and adjust drive belts. <input type="checkbox"/> Replace dust and pollen filter.* ¹

* 1: See dust and pollen filter on page 236 for replacement information under special driving conditions.

: See information on maintenance and emissions warranty, last column, page 197.

NOTE:

- Check engine oil and coolant at each fuel stop.
- Check and adjust valve clearance, cold engine, only if noisy.

Service at the indicated distance or time – whichever comes first.	miles x 1,000	10	20	30	40	50	60	70	80	90	100	110	120
	km x 1,000	16	32	48	64	80	96	112	128	144	160	176	192
	months	12		24		36		48		60		72	
Check engine oil and coolant	Check oil and coolant at each fuel stop												
Replace engine oil	Replace every 5,000 miles (8,000 km) or 6 months												
Rotate tires (Check tire inflation and condition at least once per month)													
Replace engine oil filter													
Inspect front and rear brakes													
Lubricate all hinges, locks, and latches	•	•	•	•	•	•	•	•	•	•	•	•	•
Visually inspect the following items: Tie rod ends, steering gear box and boots, suspension components Driveshaft boots													
Check parking brake adjustment													
Visually inspect the following items: Brake hoses and lines (including ABS) All fluid levels and condition of fluids *Exhaust system, *fuel lines and connections Lights and controls, vehicle underbody			•		•		•		•		•		•
Inspect and adjust drive belts				•			•			•			•
Replace dust and pollen filter*1													
Replace transmission fluid	M/T						•						•
	A/T						•			•			•
<i>Service the following items at the recommended intervals.</i>													
Clean or replace air cleaner element	Clean every 15,000 miles (24,000 km), and replace every 30,000 miles (48,000 km) (Use normal schedule except in dusty conditions)												
Replace spark plugs	Every 110,000 miles (176,000 km)												
Inspect valve clearance	Inspect every 110,000 miles (176,000 km), otherwise adjust only if noisy												
*Inspect idle speed	Every 160,000 miles (256,000 km) or 8 years												
Replace engine coolant	At 120,000 miles (192,000 km) or 10 years, then every 60,000 miles (96,000 km) or 5 years												
Replace brake fluid	Every 3 years (independent of mileage)												

* 1: See dust and pollen filter on page 232 for replacement information under special driving conditions.

: See information on maintenance and emissions warranty, last column, page 197 .

Service at the indicated distance or time, whichever comes first. Do the items in **A, B, C, D** as required for each distance/time.

U.S. Owners – Refer to page 196 to determine which schedule to use.

Canadian Owners – Use the Maintenance Schedule for Severe Conditions.

5,000 mi/8,000 km/6 mos	Do items in A.
10,000 mi/16,000 km/1 yr	Do items in A, B.
15,000 mi/24,000 km	<input type="checkbox"/> Clean air cleaner element (independent of time).
15,000 mi/24,000 km/1-½ yrs	Do items in A.
20,000 mi/32,000 km/1 yr	Do items in A, B, C.
25,000 mi/40,000 km/2 yrs	Do items in A.
30,000 mi/48,000 km	<input type="checkbox"/> Replace air cleaner element (independent of time).
30,000 mi/48,000 km/2 yrs	Do items in A, B, D.
35,000 mi/56,000 km/2-½ yrs	Do items in A.
40,000 mi/64,000 km/2 yrs	Do items in A, B, C.
3 yrs	<input type="checkbox"/> Replace brake fluid (independent of mileage).
45,000 mi/72,000 km	<input type="checkbox"/> Clean air cleaner element (independent of time).
45,000 mi/72,000 km/3 yrs	Do items in A.
50,000 mi/80,000 km/3 yrs	Do items in A, B.
55,000 mi/88,000 km/3-½ yrs	Do items in A.
60,000 mi/96,000 km	<input type="checkbox"/> Replace air cleaner element (independent of time).
60,000 mi/96,000 km/3 yrs	<input type="checkbox"/> Replace transmission fluid (M/T, A/T). Do items in A, B, C, D.
65,000 mi/104,000 km/4 yrs	Do items in A.
70,000 mi/112,000 km/4 yrs	Do items in A, B.
75,000 mi/120,000 km	<input type="checkbox"/> Clean air cleaner element (independent of time).
75,000 mi/120,000 km/4-½ yrs	Do items in A.
80,000 mi/128,000 km/4 yrs	Do items in A, B, C.
85,000 mi/136,000 km/5 yrs	Do items in A.
90,000 mi/144,000 km	<input type="checkbox"/> Replace air cleaner element (independent of time).
90,000 mi/144,000 km/5 yrs	<input type="checkbox"/> Replace transmission fluid (A/T). Do items in A, B, D.

A	<input type="checkbox"/> Replace engine oil.
B	<input type="checkbox"/> Inspect front and rear brakes. <input type="checkbox"/> Rotate tires (follow pattern on page 238). <input type="checkbox"/> Lubricate all hinges, locks, and latches. <input type="checkbox"/> Replace engine oil filter. <input type="checkbox"/> Inspect tie rod ends, steering gear box and boots. <input type="checkbox"/> Inspect suspension components. <input type="checkbox"/> Inspect driveshaft boots.
C	<input type="checkbox"/> Check parking brake adjustment. <input type="checkbox"/> Inspect brake hoses and lines (including ABS). <input type="checkbox"/> Check all fluid levels, condition of fluids, and check for leaks. <input type="checkbox"/> *Inspect exhaust system. <input type="checkbox"/> *Inspect fuel lines and connections. <input type="checkbox"/> Check all lights. <input type="checkbox"/> Inspect the underbody.
D	<input type="checkbox"/> Inspect and adjust drive belts. <input type="checkbox"/> Replace dust and pollen filter.* ¹

95,000 mi/152,000 km/5-½ yrs	Do items in A.
100,000 mi/160,000 km/5 yrs	Do items in A, B, C.
6 yrs	<input type="checkbox"/> Replace brake fluid (independent of mileage).
105,000 mi/168,000 km	<input type="checkbox"/> Clean air cleaner element (independent of time).
105,000 mi/168,000 km/6 yrs	Do items in A.
110,000 mi/176,000 km	<input type="checkbox"/> Inspect valve clearance, cold engine.
	<input type="checkbox"/> Replace spark plugs.
110,000 mi/176,000 km/6 yrs	Do items in A, B.
115,000 mi/184,000 km/6-½ yrs	Do items in A, B.
120,000 mi/192,000 km	<input type="checkbox"/> Replace air cleaner element (independent of time).
120,000 mi/192,000 km/6 yrs	<input type="checkbox"/> Replace transmission fluid (M/T, A/T).
	Do items in A, B, C, D.
9 yrs	<input type="checkbox"/> Replace brake fluid (independent of mileage).
120,000 mi/192,000 km/10 yrs	<input type="checkbox"/> Replace engine coolant.
160,000 mi/256,000 km/8 yrs	<input type="checkbox"/> *Inspect idle speed.

* 1: See dust and pollen filter on page 232 for replacement information under special driving conditions.

: See information on maintenance and emissions warranty, last column, page 197 .

NOTE:

- Check engine oil and coolant at each fuel stop.
- Check and adjust valve clearance, cold engine, only if noisy.



Required Maintenance Record (for Normal and Severe Schedules)

You or the servicing dealer can record all completed maintenance here, whether you follow the schedule for normal conditions (page 198) or severe conditions (page 200). Keep the receipts for all work done on your car.

5,000 mi 8,000 km	Signature or dealer stamp	mi/km
		Date
10,000 mi 16,000 km		mi/km
		Date
15,000 mi 24,000 km		mi/km
		Date
20,000 mi 32,000 km (or 1 year)		mi/km
		Date
25,000 mi 40,000 km		mi/km
		Date
30,000 mi 48,000 km		mi/km
		Date

35,000 mi 56,000 km	Signature or dealer stamp	mi/km
		Date
40,000 mi 64,000 km (or 2 years)		mi/km
		Date
45,000 mi 72,000 km		mi/km
		Date
50,000 mi 80,000 km		mi/km
		Date
55,000 mi 88,000 km		mi/km
		Date
60,000 mi 96,000 km (or 3 years)		mi/km
		Date



Required Maintenance Record (for Normal and Severe Schedules)

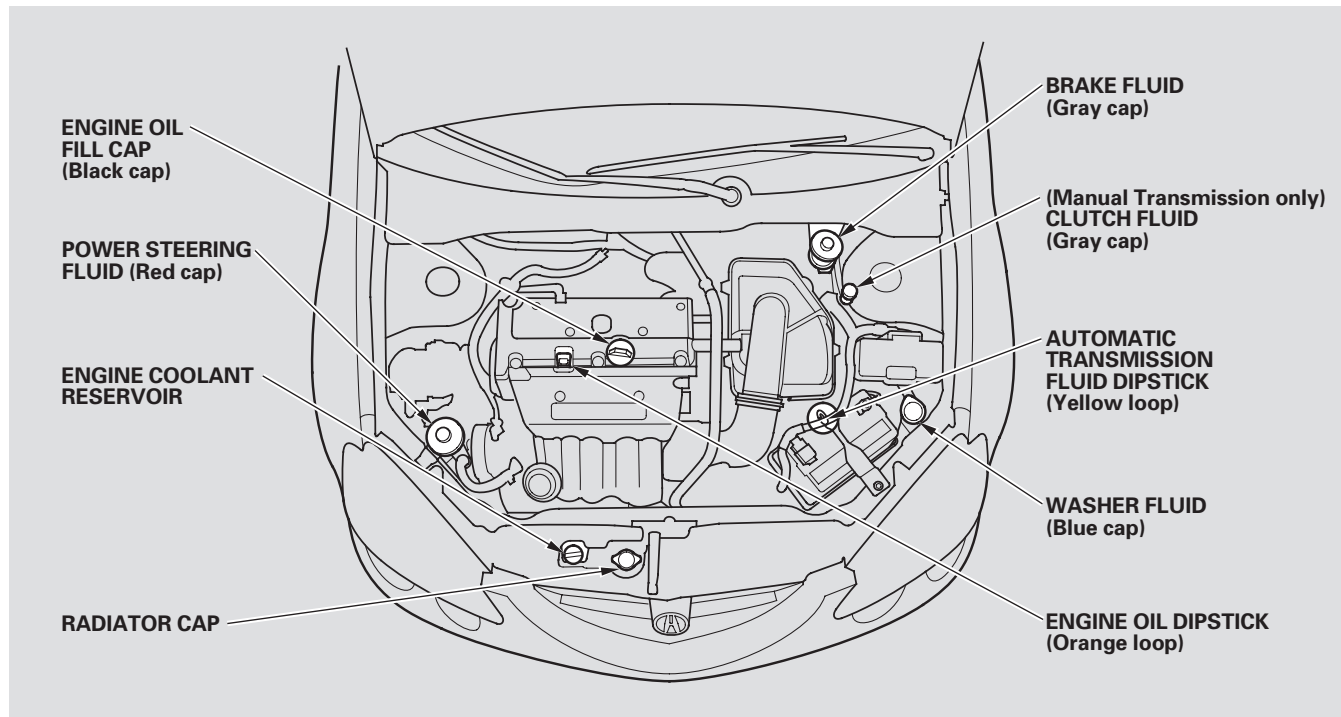
65,000 mi 104,000 km	Signature or dealer stamp	mi/km
		Date
70,000 mi 112,000 km		mi/km
		Date
75,000 mi 120,000 km		mi/km
		Date
80,000 mi 128,000 km (or 4 years)		mi/km
		Date
85,000 mi 136,000 km		mi/km
		Date
90,000 mi 144,000 km		mi/km
		Date

95,000 mi 152,000 km	Signature or dealer stamp	mi/km
		Date
100,000 mi 160,000 km (or 5 years)		mi/km
		Date
105,000 mi 168,000 km		mi/km
		Date
110,000 mi 176,000 km		mi/km
		Date
115,000 mi 184,000 km		mi/km
		Date
120,000 mi 192,000 km (or 6 years)		mi/km
		Date

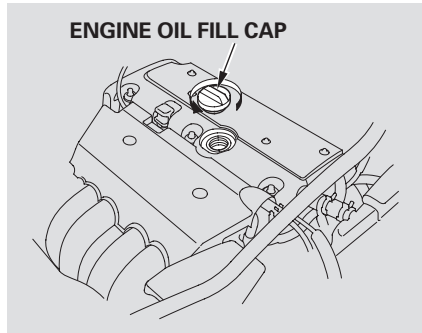
You should check the following items at the specified intervals. If you are unsure of how to perform any check, turn to the page given.

- Engine oil level — Check every time you fill the fuel tank. See page [159](#).
 - Engine coolant level — Check the radiator reserve tank every time you fill the fuel tank. See page [160](#).
 - Windshield washer fluid — Check the level in the reservoir monthly. If weather conditions cause you to use the washers frequently, check the reservoir each time you stop for fuel. See page [216](#).
 - Automatic transmission — Check the fluid level monthly. See page [217](#).
 - Brakes — Check the fluid level monthly. See page [219](#).
- Tires — Check the tire pressure monthly. Examine the tread for wear and foreign objects. See page [235](#).
 - Lights — Check the operation of the headlights, parking lights, taillights, high-mount brake light, turn signals, brake lights, and license plate lights monthly. See page [244](#).

Fluid Locations



Adding Oil



To add oil, unscrew and remove the engine oil fill cap on top of the valve cover. Pour in the oil, and install the engine oil fill cap. Tighten it securely. Wait a few minutes and recheck the oil level. Do not fill above the upper mark; you could damage the engine. Pour the oil slowly and carefully so you do not spill. Clean up any spills immediately. Spilled oil could damage components in the engine compartment.

Recommended Oil

Oil is major contributor to your engine's performance and longevity. Always use a premium-grade detergent oil displaying the API Certification Seal. This seal indicates the oil is energy conserving, and that it meets the American Petroleum Institute's latest requirements. It is highly recommended that you use Honda Motor Oil in your car for as long as you own it.

Make sure the API Certification Seal says "For Gasoline Engines."

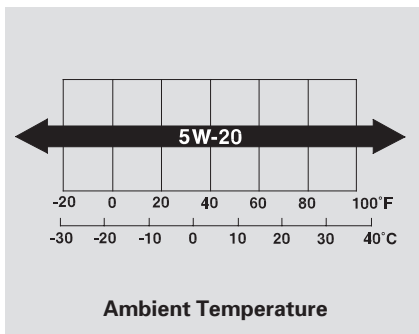


CONTINUED

Engine Oil

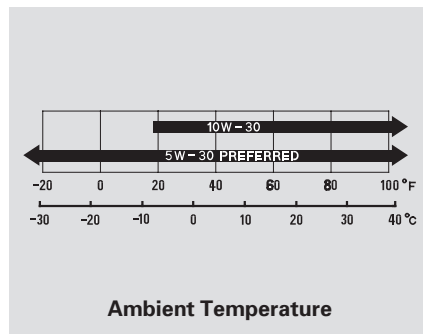
The oil's viscosity or weight is provided on the container's label. Select the oil for your car according to this chart.

RSX and Premium models



5W-20 oil is formulated for year-round protection of your Acura, to improve cold weather starting, and to help your engine use less fuel.

Type-S



An oil with a viscosity of 5W-30 is preferred for improved fuel economy and year-round protection in your Acura. You may use a 10W-30 oil if the temperature in your area never goes below 20°F (−7°C).

Synthetic Oil

You may use a synthetic motor oil if it meets the same requirements given for a conventional motor oil: it displays the API Certification Seal, and it is the proper weight as shown on the chart. When using synthetic oil, you must follow the oil and filter change intervals given in the maintenance schedule.

Additives

Your Acura does not require any oil additives. Additives may adversely affect your engine's or transmission's performance and durability.

Changing the Oil and Filter

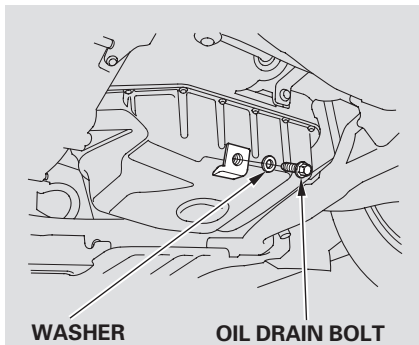
Always change the oil and filter according to the time and distance (miles/kilometers) recommendations in the maintenance schedule. The oil and filter collect contaminants that can damage your engine if they are not removed regularly.

Changing the oil and filter requires special tools and access from underneath the car. The car should be raised on a service station-type hydraulic lift for this service. Unless you have the knowledge and proper equipment, you should have this maintenance done by a skilled mechanic.

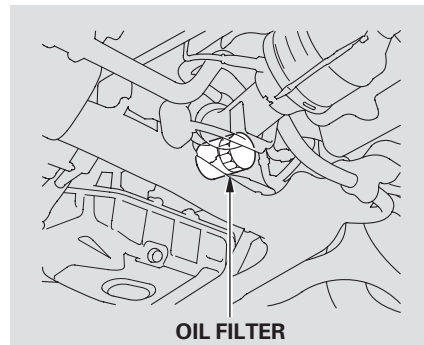
CONTINUED

Engine Oil

1. Run the engine until it reaches normal operating temperature, then shut it off.



2. Open the hood and remove the engine oil fill cap. Remove the oil drain bolt and washer from the bottom of the engine. Drain the oil into an appropriate container.



3. Remove the oil filter and let the remaining oil drain. A special wrench (available from your Acura dealer) is required to remove the filter.
4. Install a new oil filter according to instructions that come with it.

5. Put a new washer on the drain bolt, then reinstall the drain bolt. Tighten it to:

(RSX and Premium models)
33 lbf·ft (44 N·m , 4.5 kgf·m)

(Type-S)
29 lbf·ft (39 N·m , 4.0 kgf·m)

6. Refill the engine with the recommended oil.

Engine oil change capacity
(including filter):
(RSX and Premium models)
4.2 US qt (4.0 ℓ)

(Type-S)
4.8 US qt (4.5 ℓ)

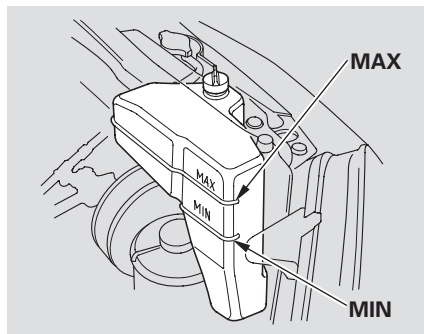
7. Replace the engine oil fill cap. Start the engine. The oil pressure indicator light should go out within five seconds. If it does not, turn off the engine and reinspect your work.
8. Let the engine run for several minutes, then check the drain bolt and oil filter for leaks.
9. Turn off the engine, let it sit for several minutes, then check the oil level. If necessary, add oil to bring the level to the upper mark on the dipstick.

NOTICE

Improper disposal of engine oil can be harmful to the environment. If you change your own oil, please dispose of the used oil properly. Put it in a sealed container and take it to a recycling center. Do not discard it in a trash bin or dump it on the ground.

Cooling System

Adding Engine Coolant



If the coolant level in the reserve tank is at or below the MIN line, add coolant to bring it up to the MAX line. Inspect the cooling system for leaks. The coolant you add should always be a mixture of 50 percent antifreeze and 50 percent water. Never add straight antifreeze or plain water.

Always use Honda All Season Antifreeze/Coolant Type 2. This coolant is pre-mixed with 50 percent antifreeze and 50 percent water. It does not require any additional mixing. If it is not available, you may use another major-brand non-silicate coolant as a temporary replacement. Make sure it is a high-quality coolant recommended for aluminum engines. However, continued use of any non-Honda coolant can result in corrosion, causing the cooling system to malfunction or fail. Have the cooling system flushed and refilled with Honda antifreeze/coolant as soon as possible.

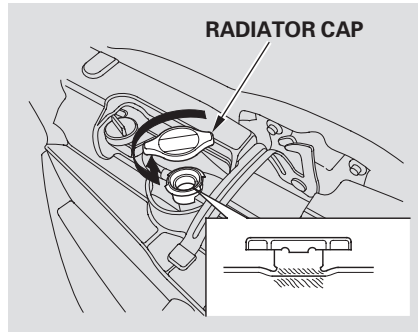
If the reserve tank is completely empty, you should also check the coolant level in the radiator.

⚠ WARNING

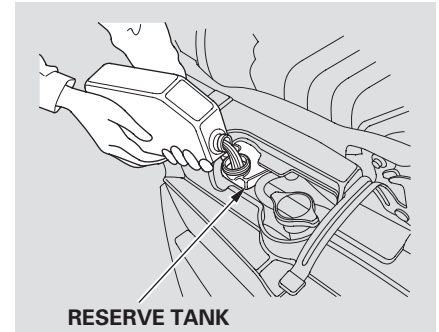
Removing the radiator cap while the engine is hot can cause the coolant to spray out, seriously scalding you.

Always let the engine and radiator cool down before removing the radiator cap.

1. Make sure the engine and radiator are cool.
2. Turn the radiator cap counterclockwise, without pressing down on it, until it stops. This relieves any pressure remaining in the cooling system.
3. Remove the radiator cap by pushing down and turning counterclockwise.



4. The coolant level should be up to the base of the filler neck. Add coolant if it is low. Pour the coolant slowly and carefully so you do not spill. Spilled coolant could damage components in the engine compartment.
5. Put the radiator cap back on. Tighten it fully.



6. Pour coolant into the reserve tank. Fill it to halfway between the MAX and MIN marks. Put the cap back on the reserve tank.

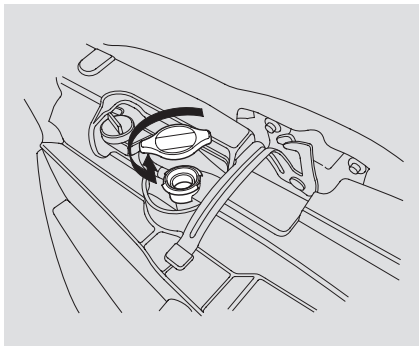
Do not add any rust inhibitors or other additives to your car's cooling system. They may not be compatible with the coolant or engine components.

Cooling System

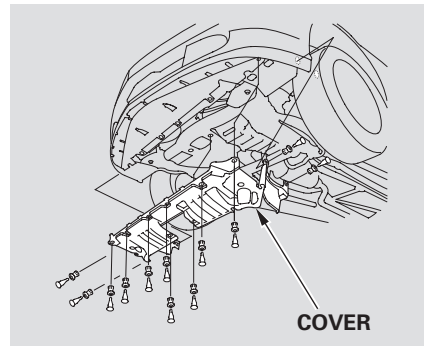
Replacing Engine Coolant

The cooling system should be completely drained and refilled with new coolant according to the time and distance recommendations in the maintenance schedule. Only use Honda All Season Antifreeze/Coolant Type 2.

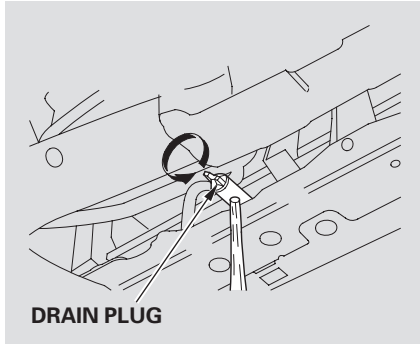
Draining the coolant requires access to the underside of the car. Unless you have the tools and knowledge, you should have this maintenance done by a skilled mechanic.



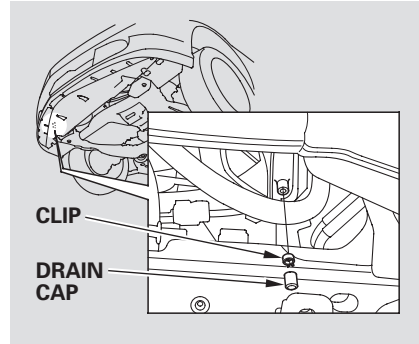
1. Turn the ignition ON (II). Turn the temperature control dial to maximum heat. Turn the ignition off.
2. Open the hood. Make sure the engine and radiator are cool to the touch.
3. Remove the radiator cap.



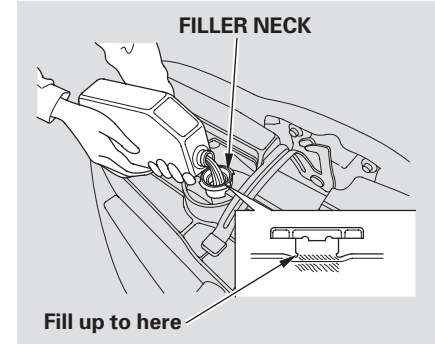
4. Remove the cover under the radiator.



5. Loosen the drain plug on the bottom of the radiator. Drain the coolant into an appropriate container.



6. Remove the clip, then remove the reserve tank drain cap. Drain the coolant into an appropriate container.
7. When the coolant stops draining, tighten the drain plug at the bottom of the radiator. Install the reserve tank drain cap and clip.



8. Pour Honda All Season Antifreeze/Coolant Type 2 into the radiator up to the base of the filler neck. This coolant is a mixture of 50 percent antifreeze and 50 percent water. Pre-mixing is not required.

CONTINUED

Cooling System, Windshield Washers

The cooling system capacity is:

Manual Transmission:

1.35 US gal (5.1 ℓ)

With automatic transmission:

1.32 US gal (5.0 ℓ)

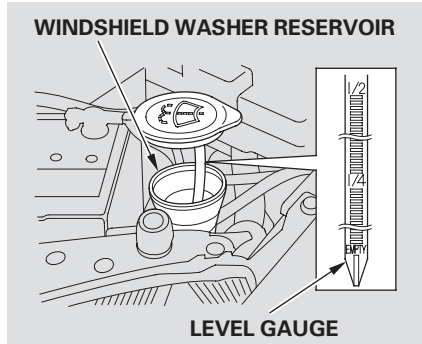
9. Start the engine and let it run for about 30 seconds. Then turn off the engine.
10. Fill the radiator with coolant up to the base of the filler neck.
11. Fill the reserve tank to the MAX mark. Install the reserve tank cap.
12. Install the radiator cap, and tighten it to the first stop.
13. Start the engine and let it run until the radiator cooling fan comes on at least twice. Then stop the engine.

14. Remove the radiator cap. Fill the radiator with coolant up to the base of the filler neck.
15. Start the engine and hold it at 1,500 rpm until the radiator fan comes on. Turn off the engine. Check the coolant level in the radiator and add coolant if needed.
16. Install the radiator cap, and tighten it fully.
17. If necessary, fill the reserve tank to the MAX mark. Install the reserve tank cap.

Windshield Washers

Check the level in the windshield washer reservoir at least monthly during normal use. In bad weather, when you use the washers often, check the level every time you stop for fuel. This reservoir supplies the windshield and rear window washers.

Windshield Washers, Transmission Fluid



The windshield washer reservoir is located behind the driver's side headlight. Check the reservoir's fluid level by removing the cap and looking at the level gauge attached to the cap.

Fill the reservoir with a good-quality windshield washer fluid. This increases the cleaning capability and prevents freezing in cold weather.

When you refill the reservoir, clean the edges of the windshield wiper blades with windshield washer fluid on a clean cloth. This will help to condition the blade edges.

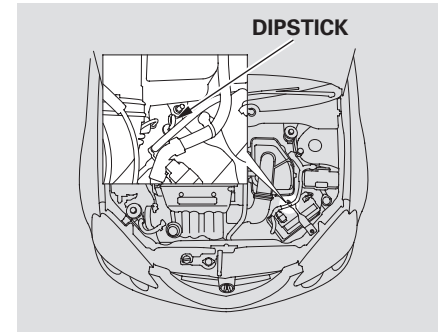
NOTICE

Do not use engine antifreeze or a vinegar/water solution in the windshield washer reservoir.

Antifreeze can damage your car's paint, while a vinegar/water solution can damage the windshield washer pump.

Use only commercially-available windshield washer fluid.

Automatic Transmission

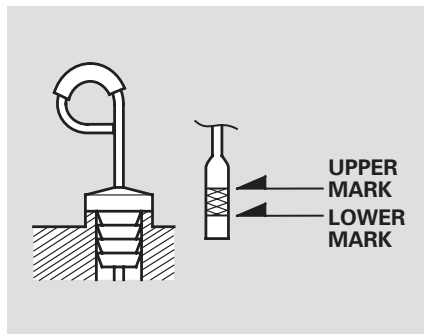


Check the fluid level with the engine at normal operating temperature.

1. Park the car on level ground. Shut off the engine.
2. Remove the dipstick (yellow loop) from the transmission and wipe it with a clean cloth.

CONTINUED

Transmission Fluid



3. Insert the dipstick all the way into the transmission securely as shown in the illustration.
4. Remove the dipstick and check the fluid level. It should be between the upper and lower marks.

5. If the level is below the lower mark, add fluid into the filler hole to bring it to the upper mark.

Always use Honda ATF-Z1 (Automatic Transmission Fluid). If it is not available, you may use a DEXRON® III automatic transmission fluid as a temporary replacement. However, continued use can affect shift quality. Have the transmission flushed and refilled with Honda ATF-Z1 as soon as it is convenient.

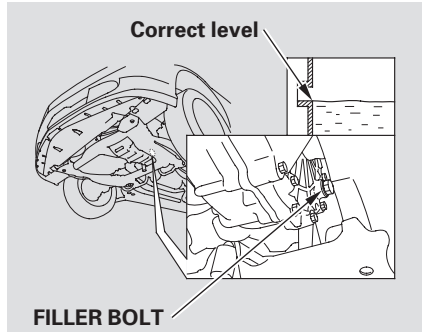
To thoroughly flush the transmission, the technician should drain and refill it with Honda ATF-Z1, then drive the vehicle a short distance. Do this three times. Then drain and refill the transmission a final time.

6. Insert the dipstick all the way back into the transmission securely as shown in the illustration.

The transmission should be drained and refilled with new fluid according to the time and distance recommendations in the maintenance schedule.

Transmission Fluid, Brake and Clutch Fluid

Manual Transmission



Check the fluid level with the transmission at normal operating temperature and the car sitting on level ground. Remove the transmission filler bolt and carefully feel inside the bolt hole with your finger. The fluid level should be up to the edge of the bolt hole. If it is not, add Honda Manual Transmission Fluid (MTF) until it starts to run out of the hole. Reinstall the filler bolt and tighten it securely.

If Honda MTF is not available, you may use an SAE 10W-30 or 10W-40 viscosity motor oil with the API Certification seal that says “FOR GASOLINE ENGINES” as a temporary replacement. However, motor oil does not contain the proper additives and continued use can cause stiffer shifting. Replace as soon as it is convenient.

The transmission should be drained and refilled with new fluid according to the time and distance recommendations in the maintenance schedule.

Brake and Clutch Fluid

Check the fluid level in the reservoirs monthly. There are up to two reservoirs, depending on the model. They are:

- Brake fluid reservoir (all models)
- Clutch fluid reservoir (manual transmission only)

The brake fluid should be replaced according to the time recommendation in the maintenance schedule.

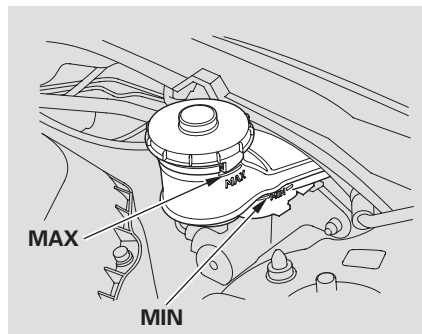
CONTINUED

Brake and Clutch Fluid

Always use Honda Heavy Duty Brake Fluid DOT 3. If it is not available, you should use only DOT 3 or DOT 4 fluid, from a sealed container, as a temporary replacement. However, the use of any non-Honda brake fluid can cause corrosion and decrease the life of the system. Have the brake system flushed and refilled with Honda Heavy Duty Brake Fluid DOT 3 as soon as possible.

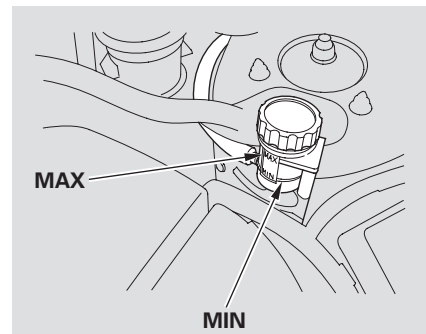
Brake fluid marked DOT 5 is not compatible with your car's braking system and can cause extensive damage.

Brake System



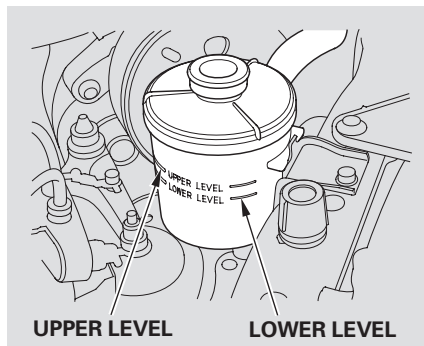
The fluid level should be between the MIN and MAX marks on the side of the reservoir. If the level is at or below the MIN mark, your brake system needs attention. Have the brake system inspected for leaks or worn brake pads.

Clutch System



The fluid level should be between the MIN and MAX marks on the side of the reservoir. If it is not, add brake fluid to bring it up to that level. Use the same fluid specified for the brake system.

Low fluid level can indicate a leak in the clutch system. Have this system inspected as soon as possible.



Check the level when the engine is cold. Look at the side of the reservoir. The fluid should be between the UPPER LEVEL and LOWER LEVEL. If it is below the LOWER LEVEL, add power steering fluid to the UPPER LEVEL.

Always use Honda Power Steering Fluid. If it is not available, you may use another power steering fluid as an emergency replacement. However, continued use can cause increased wear and poor steering in cold weather. Have the power steering system flushed and refilled with Honda PSF as soon as possible.

A low power steering fluid level can indicate a leak in the system. Check the fluid level frequently and have the system inspected as soon as possible.

NOTICE

Turning the steering wheel to full left or right lock and holding it there can damage the power steering pump.

NOTICE

*Do not spill the power steering fluid over the body, auto-tensioner, drive belt and pulleys.
If spilled accidentally, wipe off any fluid completely.*

Air Cleaner Element

The air cleaner element should be cleaned or replaced according to the time and distance recommendations in the maintenance schedule.

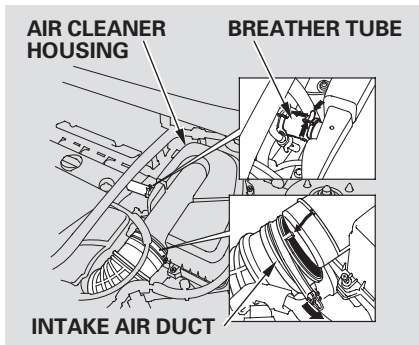
Cleaning (Severe Conditions)

Clean the air cleaner element by blowing compressed air through it in the opposite direction to normal air flow. If you do not have access to compressed air (such as a service station), ask your Acura dealer to do this service.

Follow the replacement procedure for removal and reinstallation.

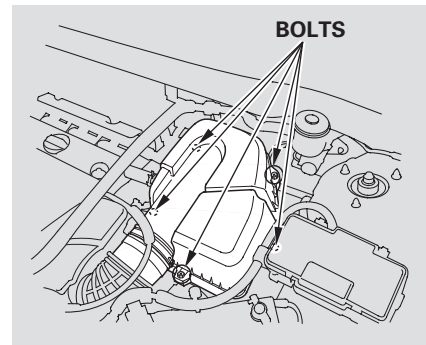
Replacement

The air cleaner element is inside the air cleaner housing on the driver's side of the engine compartment.

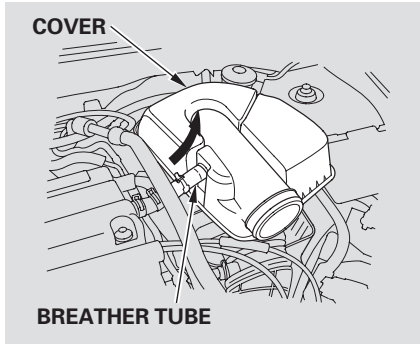


To replace it:

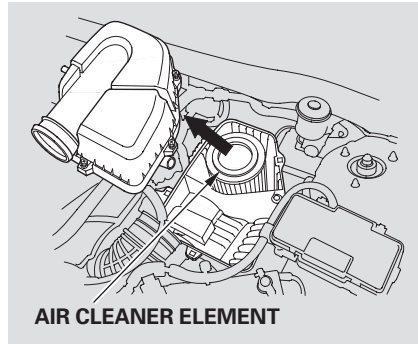
1. Unsnap the clamp, then remove the intake air duct from the front of the air cleaner housing.
2. Use a pair of pliers to slide back the clamp on the breather tube attached to the side of the housing.



3. Loosen the five bolts.



4. Lift up the cover slightly, then move it sideways to separate it from the breather tube.

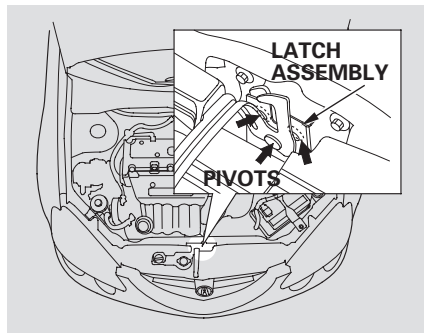


5. Remove the old air cleaner element.
6. Carefully clean the inside of the air cleaner housing with a damp rag.
7. Place the new air cleaner element in the air cleaner housing.
8. Push the air cleaner housing cover into the breather tube.

9. Reinstall the air cleaner housing cover, and tighten the five bolts.
10. Install the breather tube clamp.
11. Install the intake air duct and clamp.

Hood Latch, Spark Plugs

Hood Latch

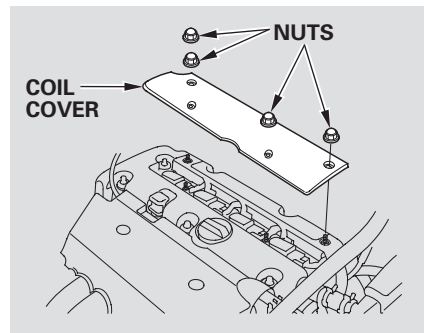


Clean the hood latch assembly with a mild cleaner, then lubricate it with a multipurpose grease. Lubricate all the moving parts (as shown), including the pivot. Follow the time and distance recommendations in the Maintenance Schedule. If you are not sure how to clean and grease the latch, contact your Acura dealer.

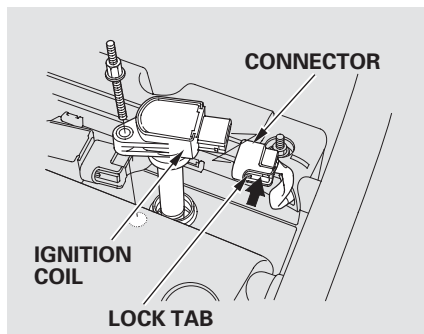
Spark Plugs

The spark plugs in your car should be replaced according to the time and distance recommendations in the maintenance schedule.

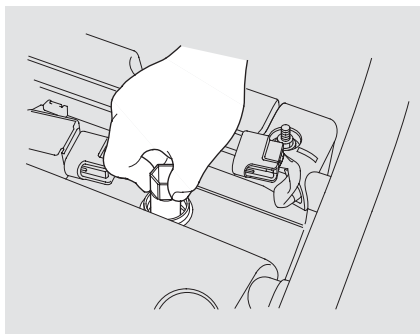
Replacement



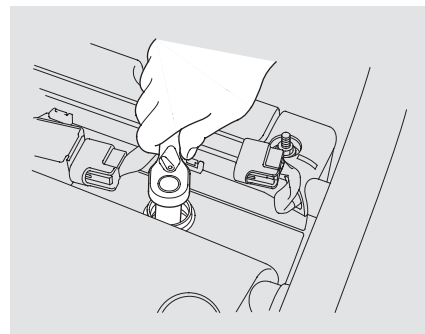
1. Remove the four nuts, then remove the coil cover.
2. Clean off any dirt and oil that have collected around the ignition coils.



3. Use a wrench to remove the bolt holding the ignition coil. Pull the ignition coil up slightly.
4. Disconnect the wire connector from the ignition coil by pushing on the lock tab and pulling on the connector. Pull on the plastic connector, not the wires.



5. Remove the ignition coil.
6. Remove the spark plug with a five-eighths inch (16 mm) spark plug socket.
7. Put the new spark plug into the socket, then screw it into the hole. Screw it in by hand so you do not crossthread it.



8. Torque the spark plug. (If you do not have a torque wrench, tighten the spark plug two-thirds of a turn after it contacts the cylinder head.)
Tightening torque:
(RSX and Premium models)
13 lbf-ft (18 N·m , 1.8 kgf·m)
(Type-S)
18 lbf-ft (25 N·m , 2.5 kgf·m)

CONTINUED

Spark Plugs, Battery

NOTICE

Tighten the spark plugs carefully. A spark plug that is too loose can overheat and damage the engine. Overtightening can cause damage to the threads in the cylinder head.

9. Insert the ignition coil into the hole.
10. Connect the wire connector to the ignition coil.
11. Push the ignition coil down all the way. Install the bolt.
12. Repeat this procedure for the other three spark plugs.

Reinstall the coil cover, and tighten the four nuts.

Specifications:

(RSX and Premium models)

NGK: IZFR6K11
DENSO: SKJ20DR-M11

Plug Gap:
0.04 in (1.1 mm)⁺⁰_{-0.1mm}

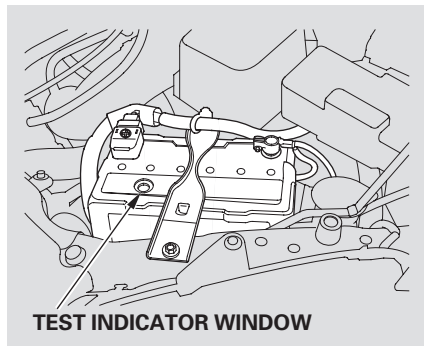
(Type-S)

NGK: IFR7G-11KS
DENSO: SK22PR-M11S

Plug Gap:
0.04 in (1.1 mm)⁺⁰_{-0.1mm}

Battery

Check the condition of your car's battery monthly. You should check the color of the test indicator window, and for corrosion on the terminals.

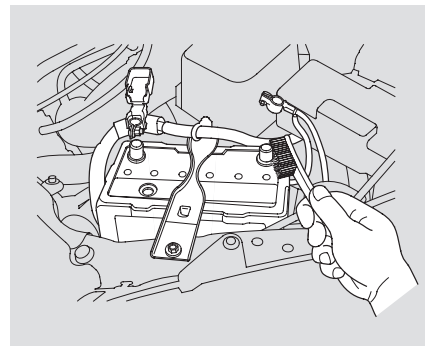


TEST INDICATOR WINDOW

Check the battery condition by looking at the test indicator window on the battery. The label on the battery explains the test indicator's colors.

Check the battery terminals for corrosion (a white or yellowish powder). To remove it, cover the terminals with a solution of baking soda and water. It will bubble up and turn brown. When this stops, wash it off with plain water. Dry off the battery with a cloth or paper towel. Coat the terminals with grease to help prevent future corrosion.

WARNING: Battery posts, terminals, and related accessories contain lead and lead compounds. **Wash hands after handling.**



If the terminals are severely corroded, clean them with baking soda and water. Then use a wrench to loosen and remove the cables from the terminals. Always disconnect the negative (–) cable first and reconnect it last. Clean the battery terminals with a terminal cleaning tool or wire brush. Reconnect and tighten the cables, then coat the terminals with grease.

CONTINUED

Battery

If you need to connect the battery to a charger, disconnect both cables to prevent damage to the car's electrical system.

WARNING

The battery gives off explosive hydrogen gas during normal operation.

A spark or flame can cause the battery to explode with enough force to kill or seriously hurt you.

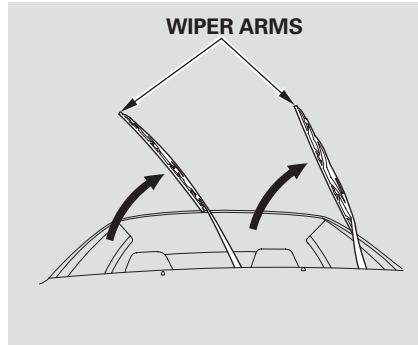
Wear protective clothing and a face shield, or have a skilled mechanic do the battery maintenance.

NOTICE

Charging the battery with the cables connected can seriously damage your car's electronic controls. Detach the battery cables before connecting the battery to a charger.

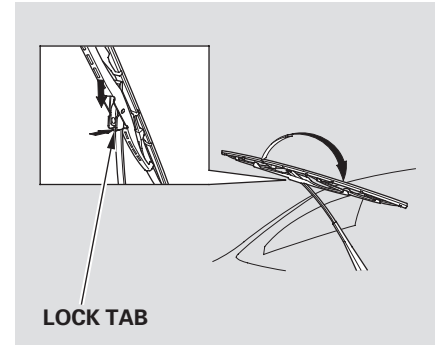
Your driver's power window (see page 92) and your audio system will also disable itself when the battery is disconnected or goes dead. The next time you turn on the radio you will see "E0dE" in the frequency display. Use the Preset buttons to enter the five-digit code (see page 147).

Check the condition of the wiper blades at least every six months. Look for signs of cracking in the rubber, or areas that are getting hard. Replace the blades if you find these signs, or if they leave streaks and unwiped areas when used.



To replace a blade (front or rear):

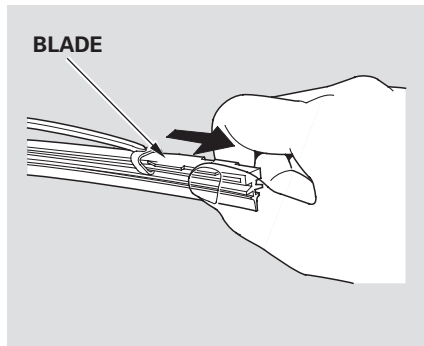
1. Raise the wiper arm off the windshield or rear window.



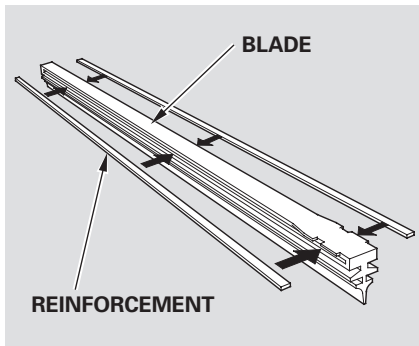
2. Disconnect the blade assembly from the wiper arm by pushing in the lock tab. Hold the lock tab in while you push the blade assembly toward the base of the arm.

CONTINUED

Wiper Blades



3. Remove the blade from its holder by grasping the tabbed end of the blade. Pull firmly until the tabs come out of the holder.

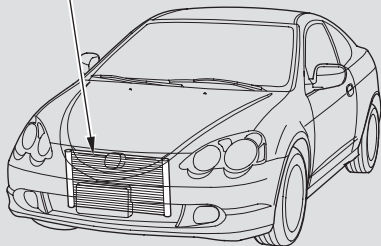


4. Examine the new wiper blades. If they have no plastic or metal reinforcement along the back edge, remove the metal reinforcement strips from the old wiper blade and install them in the slots along the edge of the new blade.

5. Slide the new wiper blade into the holder until the tabs lock.
6. Slide the wiper blade assembly onto the wiper arm. Make sure it locks in place.
7. Lower the wiper arm down against the windshield or rear window.

Your car's air conditioning is a sealed system. Any major maintenance, such as recharging, should be done by a qualified mechanic. You can do a couple of things to make sure the air conditioning works efficiently.

AIR CONDITIONING CONDENSER



Periodically check the engine's radiator and air conditioning condenser for leaves, insects, and dirt stuck to the front surface. These block the air flow and reduce cooling efficiency. Use a light spray from a hose or a soft brush to remove them.

NOTICE

The condenser and radiator fins bend easily. Only use a low-pressure spray or soft-bristle brush to clean them.

Run the air conditioning at least once a week during the cold weather months. Run it for at least ten minutes while you are driving at a steady speed with the engine at normal operating temperature. This circulates the lubricating oil contained in the refrigerant.

If the air conditioning does not get as cold as before, have your dealer check the system. Recharge the system with Refrigerant HFC-134a (R-134a). (See Specifications on page 290.)

NOTICE

Whenever you have the air conditioning system serviced, make sure the service facility uses a refrigerant recycling system. This system captures the refrigerant for reuse. Releasing refrigerant into the atmosphere can damage the environment.

CONTINUED

Dust and Pollen Filter

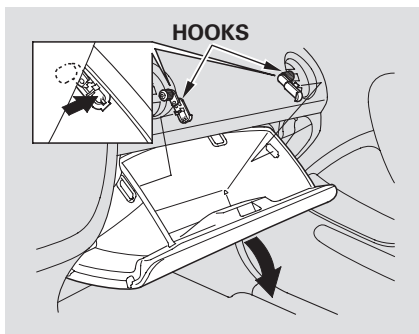
U.S. : All models

*Canada : Premium and Type-S
Optional on RSX*

The dust and pollen filter removes pollen and dust that is brought in from the outside through the heating and cooling system.

This filter should be replaced every 30,000 miles (48,000 km) under normal conditions. It should be replaced every 15,000 miles (24,000 km) if you drive primarily in urban areas that have high concentrations of soot in the air from industry and diesel-powered vehicles. Replace it more often if air flow from the heating and cooling system becomes less than usual.

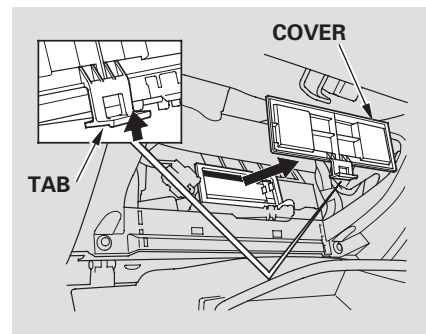
Replacement



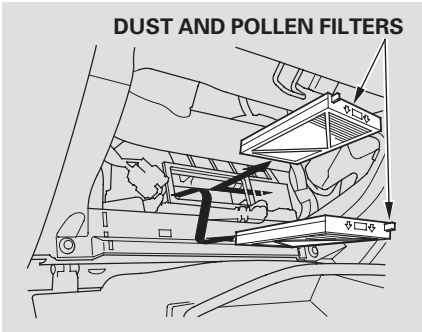
The dust and pollen filter is located behind the glove box.

To replace it:

1. Open the glove box. Remove the hooks on the side panels by pulling out on the tabs. Pivot the glove box out of the way.



2. Remove the dust and pollen filter cover by pushing up on the lock tab, then pivoting up the cover.



3. Remove the first filter by pulling it straight out of the air conditioning unit. Remove the second filter by sliding it to the left, then pulling it out.

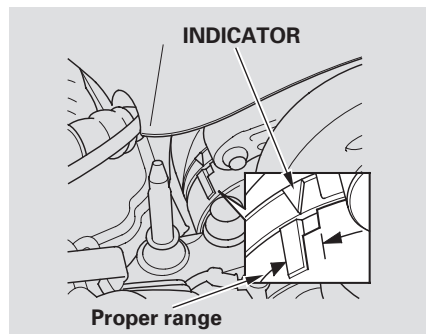
4. Install the new filters. Reinstall the cover.

5. Pivot the glove box up into position. Reinstall the hooks into the side panel of the glove box. Close the glove box.

If you are not sure how to replace the dust and pollen filters, have them replaced by your Acura dealer.

Drive Belts

Drive Belt



An auto-tensioner adjusts the tension of the drive belt. The indicator on the auto-tensioner should be in the proper range. It should be checked according to the time and distance recommendations in the maintenance schedule.

If the indicator is not within the proper range, have the drive belt replaced by your Acura dealer as soon as possible.

To safely operate your car, your tires must be the proper type and size, in good condition with adequate tread, and correctly inflated. The following pages give more detailed information on how and when to check air pressure, how to inspect your tires for damage and wear, and what to do when your tires need to be replaced.

WARNING

Using tires that are excessively worn or improperly inflated can cause a crash in which you can be seriously hurt or killed.

Follow all instructions in this owner's manual regarding tire inflation and maintenance.

Inflation

Keeping the tires properly inflated provides the best combination of handling, tread life, and riding comfort. Underinflated tires wear unevenly, adversely affect handling and fuel economy, and are more likely to fail from being overheated. Overinflated tires can make your car ride more harshly, are more prone to damage from road hazards, and wear unevenly.

We recommend that you visually check your tires every day. If you think a tire might be low, check it immediately with a tire gauge.

Use a gauge to measure the air pressure at least once a month. Even tires that are in good condition may lose one to two psi (10 to 20 kPa, 0.1 to 0.2 kgf/cm²) per month. Remember to check the spare tire at the same time you check all the other tires.

Check the pressure in the tires when they are cold. This means the car has been parked for at least three hours. If you have to drive the car before checking the tire pressure, the tires can still be considered "cold" if you drive less than 1 mile (1.6 km).

If you check the pressure when the tires are hot [the car has been driven several miles (kilometers)], you will see readings 4 to 6 psi (30 to 40 kPa, 0.3 to 0.4 kgf/cm²) higher than the cold reading. This is normal. Do not let air out to match the specified cold pressure. The tire will be underinflated.

You should get your own tire pressure gauge and use it whenever you check your tire pressures. This will make it easier for you to tell if a pressure loss is due to a tire problem and not due to a variation between gauges.

CONTINUED

Tires

Recommended Tire Pressures for Normal Driving

The following chart shows the recommended cold tire pressures for most normal driving conditions and speeds. Tire pressures for high speed driving are the same as for normal driving.

Tire Size	Cold Tire Pressure for Normal Driving
P195/65R15 89H P205/55R16 89V	Front: 33 psi (230 kPa , 2.3 kgf/cm ²) Rear: 31 psi (220 kPa , 2.2 kgf/cm ²)

The compact spare tire pressure is: 60 psi (420 kPa , 4.20 kgf/cm²)

These pressures are also given on the tire information label on the driver's doorjamb.

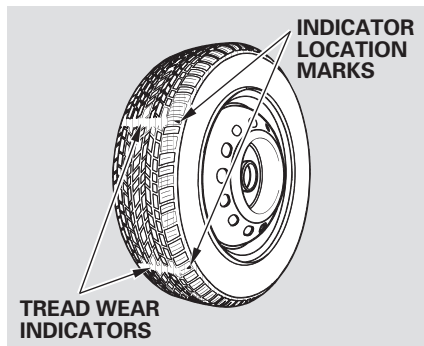
Tubeless tires have some ability to self-seal if they are punctured. However, because leakage is often very slow, you should look closely for punctures if a tire starts losing pressure.

Inspection

Every time you check inflation, you should also examine the tires for damage, foreign objects, and wear.

You should look for:

- Bumps or bulges in the tread or side of the tire. Replace the tire if you find either of these conditions.
- Cuts, splits, or cracks in the side of the tire. Replace the tire if you can see fabric or cord.
- Excessive tread wear.



Your car's tires have wear indicators molded into the tread. When the tread wears down to that point, you will see a 1/2 inch (12.7 mm) wide band running across the tread. This shows there is less than 1/16 inch (1.6 mm) of tread left on the tire. A tire that is this worn gives very little traction on wet roads. You should replace the tire if you can see the tread wear indicator in three or more places around the tire.

Maintenance

In addition to proper inflation, correct wheel alignment helps to decrease tire wear. If you find a tire is worn unevenly, have your dealer check the wheel alignment.

The tires were properly balanced by the factory. They may need to be rebalanced at some time before they are worn out. Have your dealer check the tires if you feel a consistent vibration while driving. A tire should always be rebalanced if it is removed from the wheel for repair.

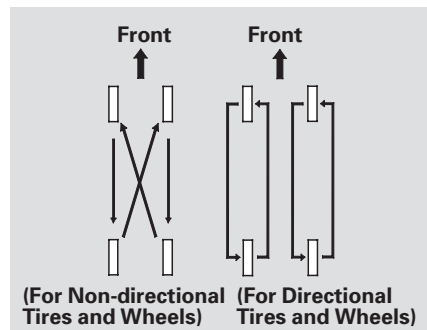
Make sure the installer balances the wheels when you have new tires installed. This increases riding comfort and tire life. Your car's original tires were dynamic or "spin" balanced at the factory. For best results, have the installer perform a dynamic balance.

NOTICE

*(Only on cars equipped with aluminum wheels)
Improper wheel weights can damage your car's aluminum wheels. Use only genuine Acura wheel weights for balancing.*

Tires

Tire Rotation



To help increase tire life and distribute wear more evenly, you should have the tires rotated every 10,000 miles (16,000 km). Move the tires to the positions shown in the chart each time they are rotated.

When shopping for replacement tires, you may find that some tires are “directional.” This means they are designed to rotate only in one direction. If you use directional tires, they should be rotated only front-to-back.

Replacing Tires and Wheels

The tires that came with your car were selected to match the performance capabilities of the car while providing the best combination of handling, ride comfort, and long life. You should replace them with radial tires of the same size, load range, speed rating, and maximum cold tire pressure rating (as shown on the tire's sidewall). Mixing radial and bias-ply tires on your car can reduce its braking ability, traction, and steering accuracy.

⚠ WARNING

Installing improper tires on your car can affect handling and stability. This can cause a crash in which you can be seriously hurt or killed.

Always use the size and type of tires recommended in this owner's manual.

It is best to replace all four tires at the same time. If that is not possible or necessary, then replace the two front tires or the two rear tires as a pair. Replacing just one tire can seriously affect your car's handling.

The ABS works by comparing the speed of the wheels. When replacing tires, use the same size originally supplied with the car. Tire size and construction can affect wheel speed and may cause the system to work inconsistently.

If you ever need to replace a wheel, make sure the wheel's specifications match those of the original wheel that came on your car. Replacement wheels are available at your Acura dealer.

CONTINUED

Tires

Wheels and Tires

Wheels:

(Canada : RSX)

15 x 6 JJ

(U.S. : All models

Canada : Premium and Type-S models)

16 x 6 1/2 JJ

Tires:

(Canada : RSX)

P195/65R15 89H

(U.S. : All models

Canada : Premium and Type-S models)

P205/55R16 89V

See page [292](#) for information about DOT Tire Quality Grading.

Winter Driving

Tires that are marked “M+S” or “All Season” on the sidewall have an all-weather tread design. They should be suitable for most winter driving conditions. Tires without these markings are designed for optimum traction in dry conditions. They may not provide adequate performance in winter driving. For the best performance in snowy or icy conditions, you should install snow tires or tire chains. They may be required by local laws under certain conditions.

Snow Tires

If you mount snow tires on your Acura, make sure they are radial tires of the same size and load range as the original tires. Mount snow tires on all four wheels to balance your car's handling in all weather conditions. Keep in mind the traction provided by snow tires on dry roads may not be as high as your car's original equipment tires. You should drive cautiously even when the roads are clear. Check with the tire dealer for maximum speed recommendations.

Tire Chains

Mount snow chains on your car when warranted by driving conditions or required by local laws. Make sure the chains are the correct size for your tires. Install them only on the front tires.

Use only SAE class "S" chains. Only certain brands of chains will fit your Acura without coming in contact with the body or causing mechanical damage. Before buying any types of chains, you should consult with your Acura dealer about the designs and brands that will work on your Acura. Also, make sure you purchase the correct size for your tires.

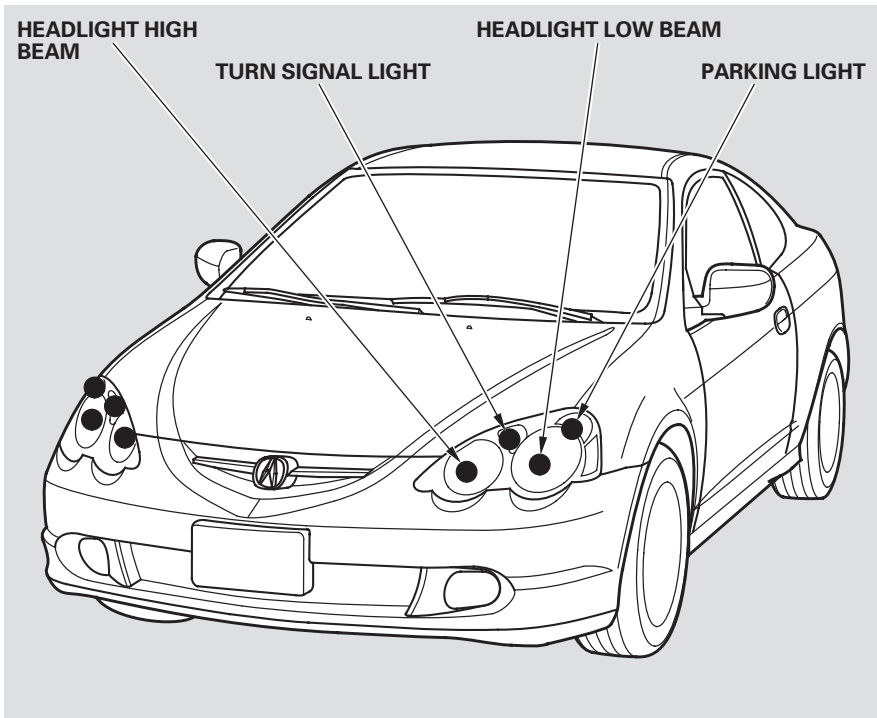
When installing chains, follow the manufacturer's instructions and mount them as tightly as you can. Drive slowly with chains installed. If you hear them contacting the body or chassis, stop and investigate. Make sure the chains are installed tightly, and that they are not contacting the brake lines or suspension. Remove the chains as soon as you start driving on cleared roads.

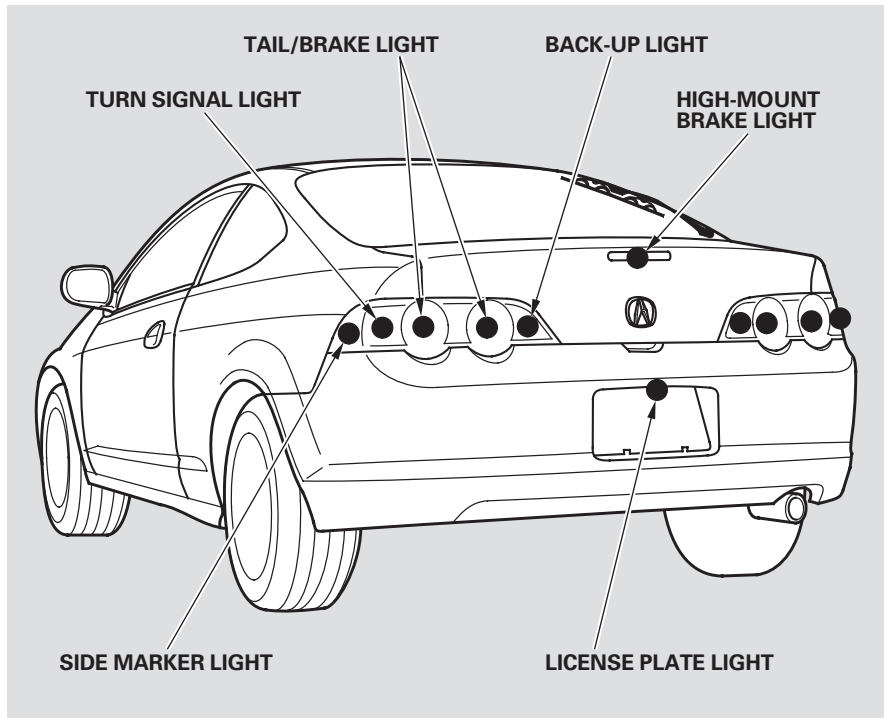
NOTICE

Chains of the wrong size or that are improperly installed can damage your car's brake lines, suspension, body, and wheels. Stop driving if you hear the chains hitting any part of the car.

Lights

Check the operation of your car's exterior lights at least once a month. A burned out bulb can create an unsafe condition by reducing your car's visibility and the ability to signal your intentions to other drivers.





Check the following:

- Headlights (low and high beam)
- Parking lights
- Taillights
- Brake lights
- High-mount brake light
- Turn signals
- Back-up lights
- Hazard light function
- License plate light
- Side marker lights
- Daytime running lights (Canadian models)

If you find any bulbs are burned out, replace them as soon as possible. Refer to the chart on page 290 to determine what type of replacement bulb is needed.

Lights

Headlight Aiming

The headlights were properly aimed when your car was new. If you regularly carry heavy items in the cargo area or pull a trailer, readjustment may be required. Adjustment of the headlights should be performed by an Acura technician or other qualified mechanic.

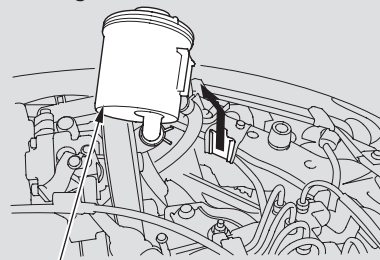
Replacing a Headlight Bulb

Your car has two bulbs on each side, four in total. Make sure you are replacing the bulb that is burned out. Your car uses halogen headlight bulbs. When replacing a bulb, handle it by its plastic case and protect the glass from contact with your skin or hard objects. If you touch the glass, clean it with denatured alcohol and a clean cloth.

NOTICE

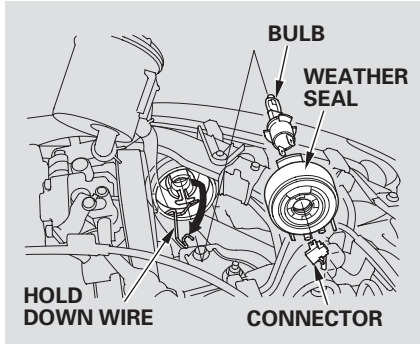
Halogen headlight bulbs get very hot when lit. Oil, perspiration, or a scratch on the glass can cause the bulb to overheat and shatter.

Passenger's side



POWER STEERING RESERVOIR

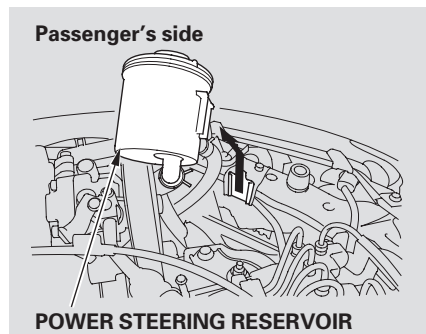
1. Open the hood.
2. (Passenger's side)
Remove the power steering reservoir from the bracket.



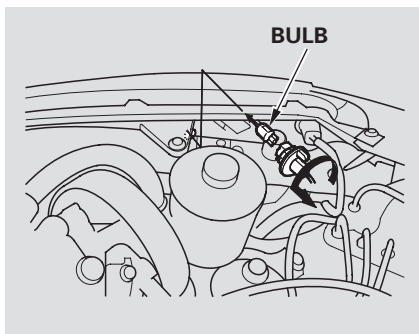
3. Remove the electrical connector from the bulb by pulling the connector straight back.
4. Remove the rubber weather seal by pulling on the tab.
5. Unclip the end of the hold-down wire from its slot. Pivot it out of the way and remove the bulb.
6. Insert the new bulb into the hole, making sure the tabs are in their slots. Pivot the hold-down wire back in place and clip the end into the slot.
7. Install the rubber seal over the back of the headlight assembly. Make sure it is right side up; it is marked "TOP."
8. Push the electrical connector onto the tabs of the new bulb. Make sure it locks in place. Turn on the headlights to test the new bulb.
9. (Passenger's side)
Install the power steering reservoir on the bracket.

Lights

Replacing a Front Turn Signal Light Bulb



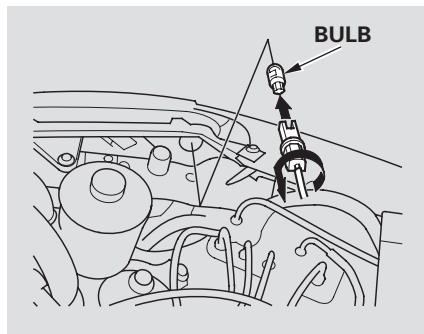
1. Open the hood.
2. (Passenger's side)
Remove the power steering reservoir from the bracket.



3. Remove the socket from the headlight assembly by turning it one-quarter turn counterclockwise.
4. Pull the bulb straight out of its socket.
Push the new bulb straight into the socket until it bottoms.

5. Insert the socket back into the headlight assembly. Turn it clockwise to lock it in place.
6. Test the lights to make sure the new bulb is working.
7. (Passenger's side)
Install the power steering reservoir on the bracket.

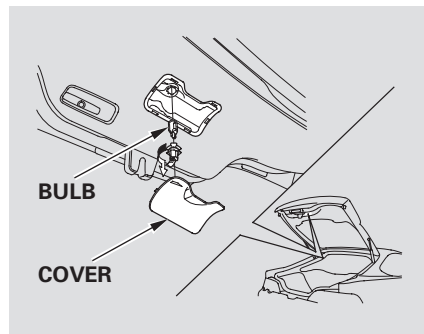
Replacing a Front Parking Light Bulb



1. Open the hood. The front parking light is next to the headlight bulb.
2. Remove the socket from the headlight assembly by turning it one-quarter turn counterclockwise.

3. Pull the bulb straight out of its socket. Push the new bulb straight into the socket until it bottoms.
4. Insert the socket back into the headlight assembly. Turn it clockwise to lock it in place.
5. Turn on the parking lights and check that the new bulb is working.

Replacing a High-mount Brake Light Bulb



1. Open the hatch.
2. Remove the high-mount brake light cover by pivoting it toward the back of the car.
3. Remove the socket by turning it one-quarter turn counterclockwise.

CONTINUED

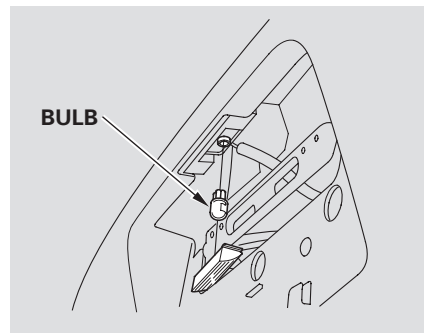
Lights

4. Pull the bulb straight out of its socket. Push the new bulb straight into the socket until it bottoms.
5. Insert the socket back into the light assembly. Turn it clockwise to lock it in place.
6. Test the lights to make sure the new bulb is working.
7. Reinstall the high-mount brake light cover.

Replacing a Rear License Plate Bulb

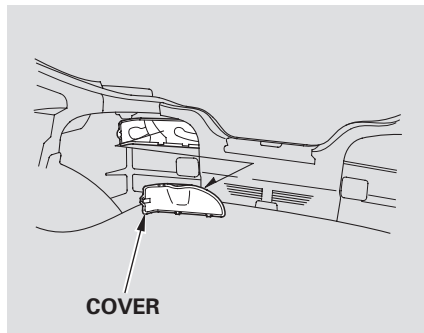


1. Insert a flat-tipped screwdriver between the left edge of the lens and the housing. The lens will come down.

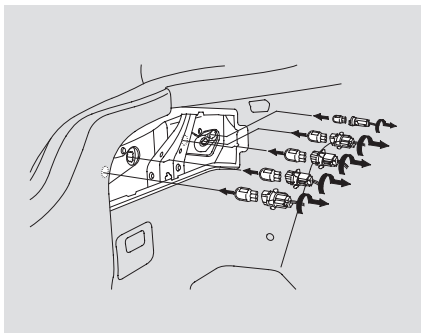


2. Pull the bulb straight out of its socket. Push the new bulb in until it bottoms in the socket.
3. Test the lights to make sure the new bulb is working.
4. Put the lens back into the light assembly, right side first. Push on the left edge until it snaps into place.

Replacing Rear Bulbs



1. Open the hatch. Remove the light assembly cover by pulling on the tab on the outside edge.

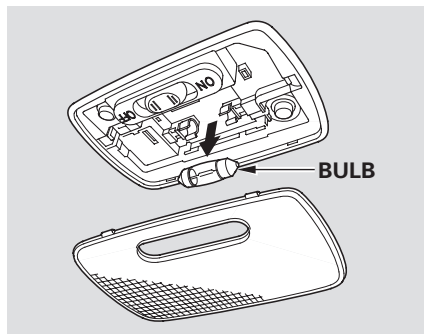


2. Determine which of the five bulbs is burned out: brake/taillight, turn signal light, side marker light, back-up light, or taillight.
3. Remove the socket by turning it one-quarter turn counterclockwise.
4. Pull the bulb straight out of its socket.
Push the new bulb straight into the socket until it bottoms.

5. Reinstall the socket into the light assembly by turning it clockwise until it locks.
6. Test the lights to make sure the new bulb is working.
7. Install the light assembly cover. Make sure it locks in place.

Lights

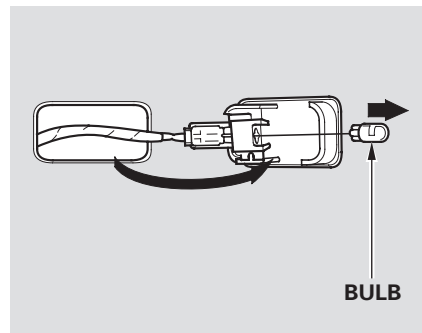
Replacing a Ceiling Light Bulb



1. Remove the lens by carefully prying on the edge of the lens with a fingernail file or a small flat-tip screwdriver. Do not pry on the edge of the housing around the lens.

2. Remove the bulb by pulling it straight out of its metal tabs.
3. Push the new bulb into the metal tabs. Snap the lens back in place.

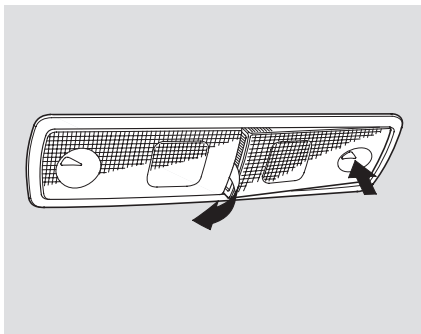
Replacing a Cargo Area Light Bulb



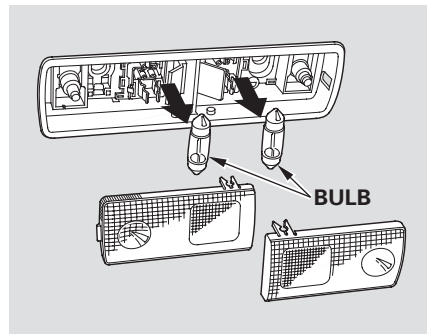
1. Open the hatch.
2. Remove the cargo area light assembly by carefully prying on the left edge of the lens with a flat-tip screwdriver and pulling the assembly out.

3. Pull the bulb straight out of its socket.
Push the new bulb straight into the socket until it bottoms.
4. Test the lights to make sure the new bulb is working.
5. Slide the right side of the light assembly into the hole. Push on the left side to latch the assembly into place.

Replacing the Spotlight Bulbs



1. Remove the lens of the burned out bulb by carefully prying on the edge between the lenses with a fingernail file or a small flat-tipped screwdriver.



2. Remove the bulb by pulling it straight out of the bulb holder.
3. Push the new bulb into the bulb holder.
4. Reinstall the lens by inserting the outside edge first, then pushing on the inside edge.

Storing Your Car

If you need to park your car for an extended period (more than one month), there are several things you should do to prepare it for storage. Proper preparation helps prevent deterioration and makes it easier to get your car back on the road. If possible, store your car indoors.

- Fill the fuel tank.
- Change the engine oil and filter (see page 209).
- Wash and dry the exterior completely.
- Clean the interior. Make sure the carpeting, floor mats, etc. are completely dry.
- Leave the parking brake off. Put the transmission in Reverse (manual) or Park (automatic).

- Block the rear wheels.
- If the car is to be stored for a longer period, it should be supported on jackstands so the tires are off the ground.
- Leave one window open slightly (if the car is being stored indoors).
- Disconnect the battery.
- Support the front and rear wiper blade arms with a folded towel or rag so they do not touch the windshield.
- To minimize sticking, apply a silicone spray lubricant to all door and hatch seals. Also, apply a body wax to the painted surfaces that mate with the door and hatch seals.

- Cover the car with a “breathable” cover, one made from a porous material such as cotton. Nonporous materials, such as plastic sheeting, trap moisture, which can damage the paint.
- If possible, run the engine for a while periodically (preferably once a month).

If you store your car for 12 months or longer, have your Acura dealer perform the inspections called for in the 24 months/30,000 miles (48,000 km) maintenance schedule (Normal Conditions) as soon as you take it out of storage (see page 198). The replacements called for in the maintenance schedule are not needed unless the car has actually reached that time or mileage.

Regular cleaning and polishing of your Acura helps to keep it “new” looking. This section gives you hints on how to clean your car and preserve its appearance: the paint, brightwork, wheels and interior. Also included are several things you can do to help prevent corrosion.

Exterior Care.....	254
Washing	254
Waxing	255
Aluminum Wheels	255
Paint Touch-up.....	255
Interior Care.....	256
Carpeting	256
Floor Mats	256
Fabric	257
Vinyl	257
Leather.....	257
Seat Belts.....	257
Windows	258
Air Fresheners.....	258
Dashboard	258
Corrosion Protection.....	259
Body Repairs	260

Exterior Care

Washing

Frequent washing helps preserve your car's beauty. Dirt and grit can scratch the paint, while tree sap and bird droppings can permanently ruin the finish.

Wash your car in a shady area, not in direct sunlight. If the car is parked in the sun, move it into the shade and let the exterior cool down before you start.

Only use the solvents and cleaners recommended in this Owner's Manual.

NOTICE

Chemical solvents and strong cleaners can damage the paint, metal, and plastic on your car.

- Rinse the car thoroughly with cool water to remove loose dirt.

- Fill a bucket with cool water. Mix in a mild detergent, such as dishwashing liquid or a product made especially for car washing.
- Wash the car using the water and detergent solution and a soft-bristle brush, sponge, or soft cloth. Start at the top and work your way down. Rinse frequently.
- Check the body for road tar, tree sap, etc. Remove these stains with tar remover or turpentine. Rinse it off immediately so it does not harm the finish. Remember to re-wax these areas, even if the rest of the car does not need waxing.
- When you have washed and rinsed the whole exterior, dry it with a chamois or soft towel. Letting it air-dry will cause dulling and water spots.

As you dry the car, inspect it for chips and scratches that could allow corrosion to start. Repair them with touch-up paint (see page [255](#)).

Waxing

Always wash and dry the whole car before waxing it. You should wax your car, including the metal trim, whenever water sits on the surface in large patches. It should form into beads or droplets after waxing.

You should use a quality liquid or paste wax. Apply it according to the instructions on the container. In general, there are two types of products:

Waxes — A wax coats the finish and protects it from damage by exposure to sunlight, air pollution, etc. You should use a wax on your Acura when it is new.

Polishes — Polishes and cleaner/waxes can restore the shine to paint that has oxidized and lost some of its shine. They normally contain mild abrasives and solvents that remove the top layer of the finish. You

should use a polish on your Acura if the finish does not have its original shine after using a wax.

Cleaning tar, insects, etc. with removers also takes off the wax. Remember to re-wax those areas, even if the rest of the car does not need waxing.

Aluminum Wheels

On some models

Clean your Acura's aluminum alloy wheels as you do the rest of the exterior. Wash them with the same solution, and rinse them thoroughly.

The wheels have a protective clear-coat that keeps the aluminum from corroding and tarnishing. Using harsh chemicals, including some commercial wheel cleaners, or stiff brushes can damage this clear-coat. Only use a mild detergent and soft brush or sponge to clean the wheels.

Paint Touch-up

Your dealer has touch-up paint to match your car's color. The color code is printed on a sticker on the driver's doorjamb. Take this code to your dealer so you are sure to get the correct color.

Inspect your car frequently for chips or scratches in the paint. Repair them right away to prevent corrosion of the metal underneath. Use the touch-up paint only on small chips and scratches. More extensive paint damage should be repaired by a professional.

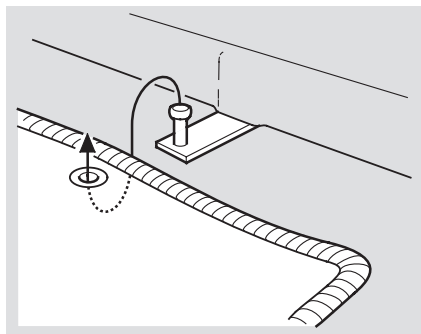
Interior Care

Carpeting

Vacuum the carpeting frequently to remove dirt. Ground-in dirt will make the carpet wear out faster.

Periodically shampoo the carpet to keep it looking new. Use one of the foam-type carpet cleaners on the market. Follow the instructions that come with the cleaner, applying it with a sponge or soft brush. Keep the carpeting as dry as possible by not adding water to the foam.

Floor Mats



The Acura driver's floor mat that came with your car was designed to be hooked over the floor mat anchor. This keeps the floor mat from sliding forward and possibly interfering with the pedals.

If you remove the floor mat, make sure to re-anchor it when you put it back in your car.

If you replace it, use an Acura floor mat that is designed to be used with the floor mat anchor in your car.

If you use a non-Acura floor mat in the driver's footwell, make sure it fits properly and that it can be used with the floor mat anchor.

Do not put additional floor mats on top of the anchored mat, otherwise the additional mats may slide forward and interfere with the pedals.

Fabric

Vacuum dirt and dust out of the material frequently. For general cleaning, use a solution of mild soap and lukewarm water, letting it air dry. To clean off stubborn spots, use a commercially-available fabric cleaner. Test it on a hidden area of the fabric first, to make sure it does not bleach or stain the fabric. Follow the instructions that come with the cleaner.

Vinyl

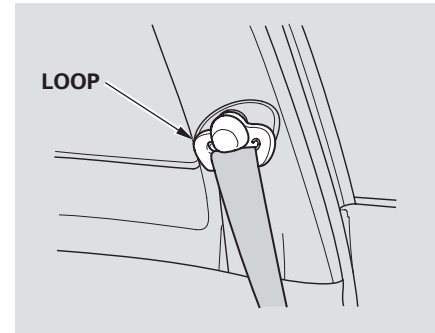
Remove dirt and dust with a vacuum cleaner. Wipe the vinyl with a soft cloth dampened in a solution of mild soap and water. Use the same solution with a soft-bristle brush on more difficult spots. You can also use commercially-available spray or foam-type vinyl cleaners.

Leather

On some models

Vacuum dirt and dust from the leather frequently. Pay particular attention to the pleats and seams. Clean the leather with a soft cloth dampened with clear water, then buff it with a clean, dry cloth. If further cleaning is needed, use a soap specifically for leather, such as saddle soap. Apply this soap with a damp, soft cloth. Wipe down and buff as described above.

Seat Belts



If your seat belts get dirty, you can use a soft brush with a mixture of mild soap and warm water to clean them. Do not use bleach, dye, or cleaning solvents. They can weaken the belt material. Let the belts air-dry before you use the car.

CONTINUED

Interior Care

Dirt build-up in the loops of the seat belt anchors can cause the belts to retract slowly. Wipe the insides of the loops with a clean cloth dampened in mild soap and warm water or isopropyl alcohol.

Windows

Clean the windows, inside and out, with a commercially-available glass cleaner. You can also use a mixture of one part white vinegar to ten parts water. This will remove the haze that builds up on the inside of the windows. Use a soft cloth or paper towels to clean all glass and clear plastic surfaces.

NOTICE

The rear window defogger and antenna wires are bonded to the inside of the glass. Wiping vigorously up-and-down can dislodge and break these wires. When cleaning the rear window, use gentle pressure and wipe side-to-side.

Air Fresheners

If you want to use an air freshener/deodorizer in the interior of your car, it is best to use a solid type. Some liquid air fresheners contain chemicals that may cause parts of the interior trim and fabric to crack or discolor.

If you use a liquid air freshener, make sure you fasten it securely so it does not spill as you drive.

Dashboard

Clean the dashboard with a mild solution of soap and water, or a commercially available vinyl cleaner, and a soft-bristle brush. A cloth or towel will not clean the dust and dirt out of the recesses of the lattice pattern.

Two factors normally contribute to causing corrosion in your car:

1. Moisture trapped in body cavities. Dirt and road salt that collects in hollows on the underside of the car stays damp, promoting corrosion in that area.
2. Removal of paint and protective coatings from the exterior and underside of the car.

Many corrosion-preventive measures are built into your Acura. You can help keep your car from corroding by performing some simple periodic maintenance:

- Repair chips and scratches in the paint as soon as you discover them.
 - Inspect and clean out the drain holes in the bottom of the doors and body.
 - Check the floor coverings for dampness. Carpeting and floor mats may remain damp for a long time, especially in winter. This dampness can eventually cause the floor panels to corrode.
- Use a high-pressure spray to clean the underside of your car. This is especially important in areas that use road salt in winter. It is also a good idea in humid climates and areas subject to salt air. Cars equipped with ABS have a sensor and wiring at each wheel. Be careful not to damage them.
 - Have the corrosion-preventive coatings on the underside of your car inspected and repaired periodically.

Body Repairs

Body repairs can affect your car's resistance to corrosion. If your car needs repairs after a collision, pay close attention to the parts used in the repair and the quality of the work.

Make sure the repair facility uses Acura replacement body parts. Some companies make sheet metal pieces that seem to duplicate the original Acura body parts, but are actually inferior in fit, finish, and corrosion resistance. Once installed, they do not give the same high-quality appearance.

When reporting your collision to the insurance company, tell them you want Acura parts used in the repair. Although most insurers recognize the quality of original parts, some may try to specify that the repairs be done with other available parts. You should investigate this before any repairs have begun.

Take your car to your authorized Acura dealer for inspection after the repairs are completed. Your dealer can make sure that quality materials were used, and that corrosion-preventive coatings were applied to all repaired and replaced parts.

This section covers the more-common problems that motorists experience with their vehicles. It gives you information about how to safely evaluate the problem and what to do to correct it. If the problem has stranded you on the side of the road, you may be able to get going again. If not, you will also find instructions on getting your car towed.

- Compact Spare Tire..... 262
- Changing a Flat Tire 263
- If Your Engine Won't Start..... 268
 - Nothing Happens or the Starter Motor Operates Very Slowly..... 268
 - The Starter Operates Normally 269
- Jump Starting 270
- If Your Engine Overheats..... 272
- Low Oil Pressure Indicator 274
- Charging System Indicator..... 275
- Malfunction Indicator Lamp 276
- Brake System Indicator 278
- Closing the Moonroof 279
- Fuses 280
 - Checking and Replacing 281
- Emergency Towing 285

Compact Spare Tire

Your car has a compact spare tire that takes up less space. Use this spare tire as a temporary replacement only. Get your regular tire repaired or replaced and put it back on your car as soon as you can.

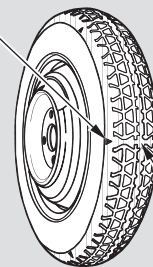
Check the inflation pressure of the compact spare tire every time you check the other tires. It should be inflated to:
60 psi (420 kPa , 4.20 kgf/cm²)

Follow these precautions whenever you are using the compact spare tire:

- Do not exceed 50 mph (80 km/h) under any circumstances.
- This tire gives a harsher ride and less traction on some road surfaces than the regular tire. Use greater caution while driving on this tire.

- Do not mount snow chains on the compact spare.
- The wheel of the compact spare tire is designed especially to fit your car. Do not use your spare tire on another vehicle unless it is the same make and model.
- *Type-S only*
Do not drive with the compact spare tire mounted on the front wheels for a long period; it will damage the Limited Slip Differential.

INDICATOR LOCATION MARK



TREAD WEAR INDICATOR BAR

The compact spare tire has a shorter tread life than a regular tire. Replace it when you can see the tread wear indicator bars. The replacement should be the same size and design tire, mounted on the same wheel. The compact spare tire is not designed to be mounted on a regular wheel, and the compact wheel is not designed for mounting a regular tire.

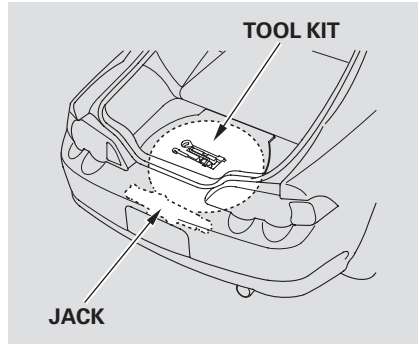
Changing a Flat Tire

If you have a flat tire while driving, stop in a safe place to change it. Stopping in traffic or on the shoulder of a busy road is dangerous. Drive slowly along the shoulder until you get to an exit or an area to stop that is far away from the traffic lanes.

⚠ WARNING

The car can easily roll off the jack, seriously injuring anyone underneath.

Follow the directions for changing a tire exactly, and never get under the car when it is supported only by the jack.

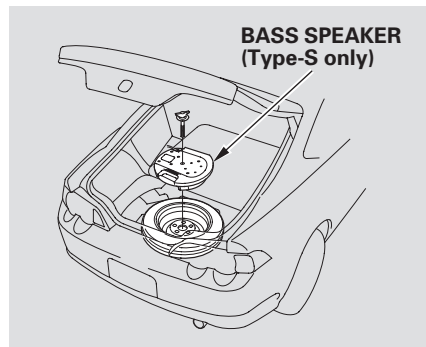


1. Park the car on firm, level and non-slippery ground away from traffic. Put the transmission in Park (automatic) or Reverse (manual). Apply the parking brake. If you are towing a trailer, unhitch the trailer.

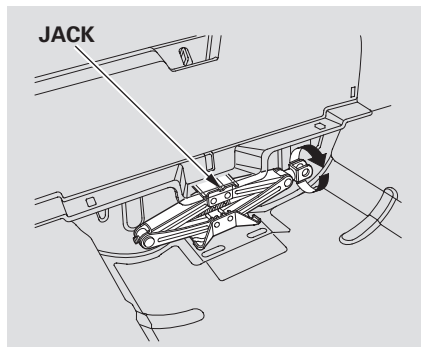
2. Turn on the hazard warning lights, and turn the ignition switch to LOCK (0). Have all the passengers get out of the car while you change the tire.
3. Open the hatch. Pull up the floor mat and remove the spare tire cover.
4. Unscrew the wing bolt.

CONTINUED

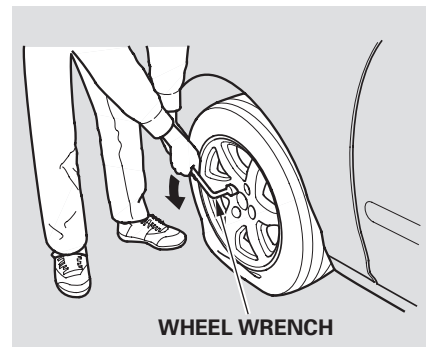
Changing a Flat Tire



5. Type-S only:
Lift the bass speaker out of the spare tire and set it aside. Do not pull on the wiring harness going to the speaker.
6. Take the spare tire out of its well.

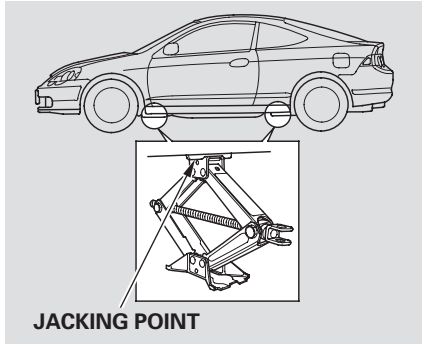


7. Turn the jack's end bracket counterclockwise to loosen it, then remove the jack.

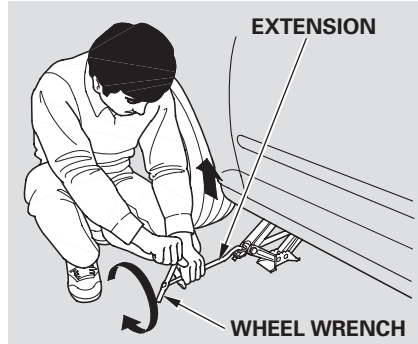


8. Loosen the five wheel nuts 1/2 turn with the wheel wrench.

Changing a Flat Tire



9. Find the jacking point nearest the wheel you are removing. Place the jack under the jacking point. Turn the end bracket clockwise until the top of the jack contacts the jacking point. Make sure the jacking point tab is resting in the jack notch.



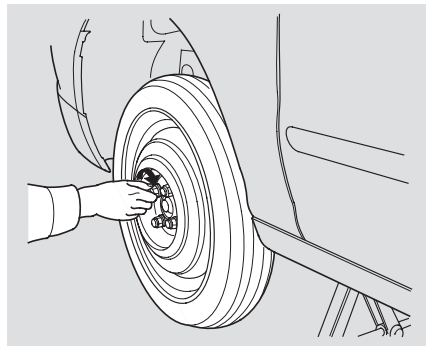
10. Use the extension and wheel wrench as shown to raise the vehicle until the flat tire is off the ground.

11. Remove the wheel nuts, then remove the flat tire. Temporarily place the flat tire on the ground with the outside surface of the wheel facing up. You could scratch the wheel if you put it face down.

12. Before mounting the spare tire, wipe any dirt off the mounting surface of the wheel and hub with a clean cloth. Wipe the hub carefully, it may be hot from driving.

CONTINUED

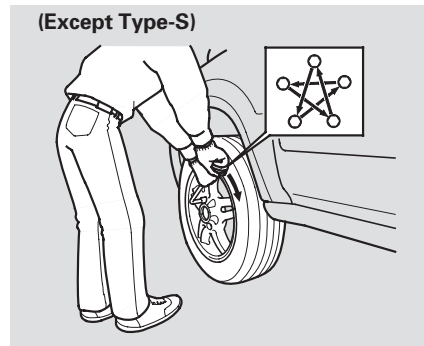
Changing a Flat Tire



13. Put on the spare tire. Put the wheel nuts back on finger-tight, then tighten them in a crisscross pattern with the wheel wrench until the wheel is firmly against the hub. Do not try to tighten them fully.

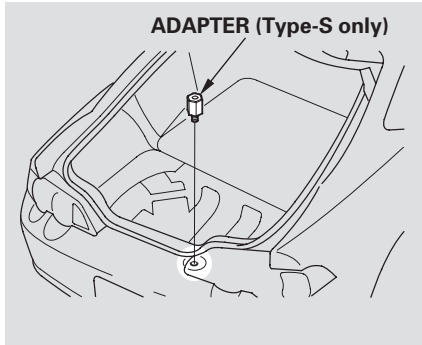


14. Lower the car to the ground and remove the jack.

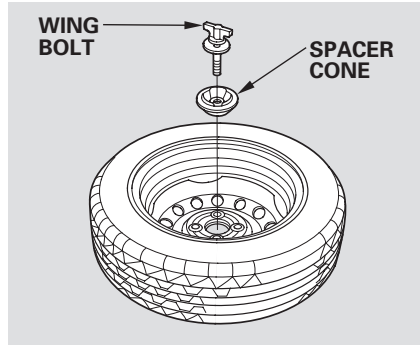


15. Tighten the wheel nuts securely in the same crisscross pattern. Have the wheel nut torque checked at the nearest automotive service facility.
Tighten the wheel nuts to:
80 lbf-ft (108 N·m , 11 kgf·m)

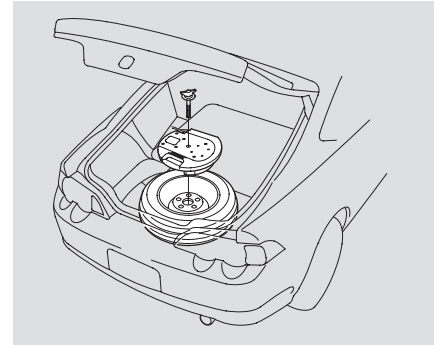
Changing a Flat Tire



16. Store the jack in its holder. Turn the jack's end bracket clockwise to raise the jack and lock it in place.
17. Type-S only:
Screw the adapter into the hole in the spare tire well.



18. Remove the wheel cover or center cap. Place the flat tire face down in the spare tire well.
19. All except Type-S:
Remove the spacer cone from the wing bolt, turn it over, and put it back on the bolt.



20. Type-S only:
Set the bass speaker inside the wheel.
21. Secure the flat tire with the wing bolt.

Changing a Flat Tire, If Your Engine Won't Start

22. Store the tool kit.

WARNING

Loose items can fly around the interior in a crash and could seriously injure the occupants.

Store the wheel, jack, and tools securely before driving.

23. Store the wheel cover or center cap in the cargo area. Make sure it will not get scratched or damaged.

24. Reinstall the floor mat and spare tire cover, then close the hatch.

If Your Engine Won't Start

Diagnosing why your engine won't start falls into two areas, depending on what you hear when you turn the key to START (III):

- You hear nothing, or almost nothing. The engine's starter motor does not operate at all, or operates very slowly.
- You can hear the starter motor operating normally, or the starter motor sounds like it is spinning faster than normal, but the engine does not start up and run.

Nothing Happens or the Starter Motor Operates Very Slowly

When you turn the ignition switch to START (III), you do not hear the normal noise of the engine trying to start. You may hear a clicking sound or series of clicks, or nothing at all. Check these things:

- Check the transmission interlock. If you have a manual transmission, the clutch pedal must be pushed all the way to the floor or the starter will not operate. With an automatic transmission, it must be in Park or Neutral.
- Turn the ignition switch to ON (II). Turn on the headlights and check their brightness. If the headlights are very dim or don't light at all, the battery is discharged. See **Jump Starting** on page [270](#).

- Turn the ignition switch to START (III). If the headlights do not dim, check the condition of the fuses. If the fuses are OK, there is probably something wrong with the electrical circuit for the ignition switch or starter motor. You will need a qualified technician to determine the problem. (See **Emergency Towing** on page 285.)
- If the headlights dim noticeably or go out when you try to start the engine, either the battery is discharged or the connections are corroded. Check the condition of the battery and terminal connections (see page 226). You can then try jump starting the car from a booster battery (see page 270).

The Starter Operates Normally

In this case, the starter motor's speed sounds normal, or even faster than normal, when you turn the ignition switch to START (III), but the engine does not run.

- Your car has the Immobilizer System. You should use a properly-coded master or valet key to start the engine (see page 75). A key that is not properly coded will cause the immobilizer system indicator in the dash panel to blink rapidly.
- Are you using the proper starting procedure? Refer to **Starting the Engine** on page 169.
- Do you have fuel? Turn the ignition switch to ON (II) for a minute and watch the fuel gauge. The low fuel level warning light may not be working, so you were not reminded to fill the tank.

- There may be an electrical problem, such as no power to the fuel pump. Check all the fuses (see page 280).

If you find nothing wrong, you will need a qualified technician to find the problem. See **Emergency Towing** on page 285.

Jump Starting

If your car's battery has run down, you may be able to start the engine by using a booster battery. Although this seems like a simple procedure, you should take several precautions.

WARNING

A battery can explode if you do not follow the correct procedure, seriously injuring anyone nearby.

Keep all sparks, open flames, and smoking materials away from the battery.

You cannot start an Acura with an automatic transmission by pushing or pulling it.

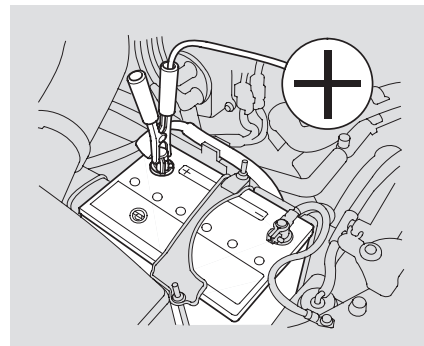
To jump start your car, follow these directions closely:

1. Open the hood and check the physical condition of the battery (see page 191). In very cold weather, check the condition of the electrolyte. If it seems slushy or like ice, do not try jump starting until it thaws.

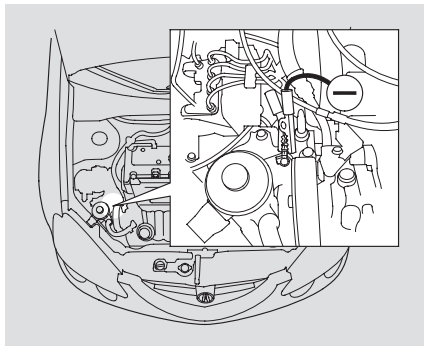
NOTICE

If a battery sits in extreme cold, the electrolyte inside can freeze. Attempting to jump start with a frozen battery can cause it to rupture.

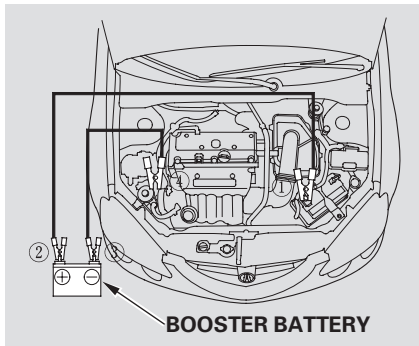
2. Turn off all the electrical accessories: heater, A/C, stereo system, lights, etc.
Put the transmission in Neutral or Park, and set the parking brake.



3. Connect one jumper cable to the positive (+) terminal on your Acura's battery. Connect the other end to the positive (+) terminal on the booster battery.



4. Connect the second jumper cable to the negative (-) terminal on the booster battery. Connect the other end to the grounding strap as shown. Do not connect this jumper cable to any other part of the engine.



The numbers in the illustration show you the order to connect the jumper cables.

5. If the booster battery is in another vehicle, have an assistant start that vehicle and run it at a fast idle.

6. Start your car. If the starter motor still operates slowly, check the jumper cable connections to make sure they have good metal-to-metal contact.
7. Once your car is running, disconnect the negative cable from your car, then from the booster battery. Disconnect the positive cable from your car, then the booster battery.

Keep the ends of the jumper cables away from each other and any metal on the vehicle until all are disconnected. Otherwise, you may cause an electrical short.

If Your Engine Overheats

The pointer of your car's temperature gauge should stay in the mid-range under most conditions. It may go higher if you are driving up a long steep hill on a very hot day. If it climbs to the red mark, you should determine the reason.

NOTICE

Driving with the temperature gauge pointer at the red mark can cause serious damage to your engine.

Your car can overheat for several reasons, such as lack of coolant or a mechanical problem. The only indication may be the temperature gauge climbing to or above the red mark. Or you may see steam or spray coming from under the hood. In either case, you should take immediate action.

WARNING

Steam and spray from an overheated engine can seriously scald you.

Do not open the hood if steam is coming out.

1. Safely pull to the side of the road. Put the transmission in Neutral or Park, and set the parking brake. Turn off the heating and cooling system and all other accessories. Turn on the hazard warning indicators.

2. If you see steam and/or spray coming from under the hood, turn off the engine.
3. If you do not see steam or spray, leave the engine running and watch the temperature gauge. If the high heat is due to overloading (climbing a long, steep hill on a hot day with the A/C running, for example), the engine should start to cool down almost immediately. If it does, wait until the temperature gauge comes down to the mid-point then continue driving.
4. If the temperature gauge stays at the red mark, turn off the engine.
5. Wait until you see no more signs of steam or spray, then open the hood.

6. Look for any obvious coolant leaks, such as a split radiator hose. Everything is still extremely hot, so use caution. If you find a leak, it must be repaired before you continue driving (see **Emergency Towing** on page 285).
7. If you don't find an obvious leak, check the coolant level in the radiator reserve tank (see page 160). If the level is below the MIN mark, add coolant to halfway between the MIN and MAX marks.
8. If there was no coolant in the reserve tank, you may also have to add coolant to the radiator. Let the engine cool down until the pointer reaches the middle of the temperature gauge, or lower, before checking the radiator.

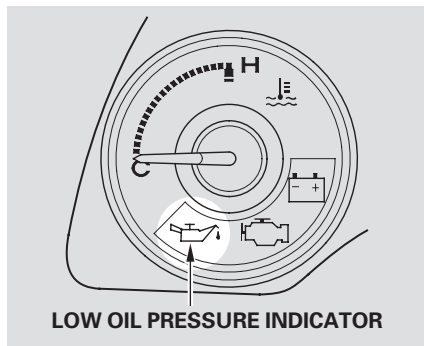
WARNING

Removing the radiator cap while the engine is hot can cause the coolant to spray out, seriously scalding you.

Always let the engine and radiator cool down before removing the radiator cap.

9. Using gloves or a large heavy cloth, turn the radiator cap counterclockwise, without pushing down, to the first stop. This releases any remaining pressure in the cooling system. After the pressure releases, push down on the cap and turn it until it comes off.
10. Start the engine and set the temperature control lever to maximum. Add coolant to the radiator up to the base of the filler neck. If you do not have the proper coolant mixture available, you can add plain water. Remember to have the cooling system drained and refilled with the proper mixture as soon as you can.
11. Put the radiator cap back on tightly. Run the engine and watch the temperature gauge. If it goes back to the red mark, the engine needs repair. (See **Emergency Towing** on page 285 .)
12. If the temperature stays normal, check the coolant level in the radiator reserve tank. If it has gone down, add coolant to the MAX mark. Put the cap back on tightly.

Low Oil Pressure Indicator



This indicator should light when the ignition switch is ON (II), and go out after the engine starts. It should never come on when the engine is running. If it starts flashing, it indicates that the oil pressure dropped very low for a moment, then recovered. If the indicator stays on with the engine running, it shows that the engine has lost oil pressure and serious engine damage is possible. In either case, you should take immediate action.

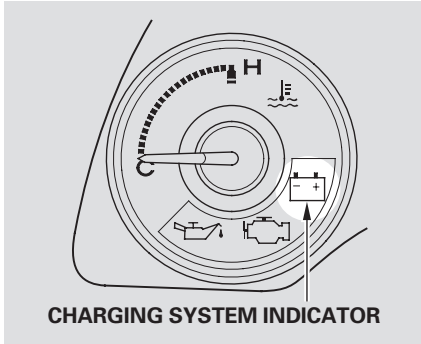
NOTICE

Running the engine with low oil pressure can cause serious mechanical damage almost immediately. Turn off the engine as soon as you can safely get the car stopped.

1. Safely pull off the road and shut off the engine. Turn on the hazard warning indicators.
2. Let the car sit for a minute. Open the hood and check the oil level (see page 159). Although oil level and oil pressure are not directly connected, an engine that is very low on oil can lose pressure during cornering and other driving maneuvers.
3. If necessary, add oil to bring the level back to the full mark on the dipstick (see page 207).

4. Start the engine and watch the oil pressure indicator. If the light does not go out within ten seconds, turn off the engine. There is a mechanical problem that needs to be repaired before you can continue driving. (See **Emergency Towing** on page 285.)

Charging System Indicator

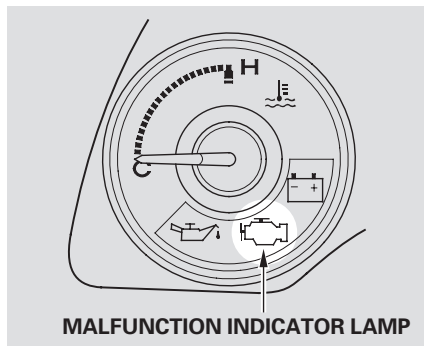


This indicator should come on when the ignition switch is ON (II), and go out after the engine starts. If it comes on brightly when the engine is running, it indicates that the charging system has stopped charging the battery.

Immediately turn off all electrical accessories: radio, heater, A/C, rear defogger, cruise control, etc. Try not to use other electrically-operated controls such as the power windows. Keep the engine running and take extra care not to stall it. Starting the engine will discharge the battery rapidly.

By eliminating as much of the electrical load as possible, you can drive several miles (kilometers) before the battery is too discharged to keep the engine running. Drive to a service station or garage where you can get technical assistance.

Malfunction Indicator Lamp



This indicator should light when the ignition switch is ON (II), and go out after the engine starts. If it comes on at any other time, it indicates one of the engine's emissions control systems may have a problem. Even though you may feel no difference in your car's performance, it can reduce your fuel economy and cause your car to put out excessive emissions. Continued operation may cause serious damage.

If you have recently refueled your car, the cause of this indicator coming on could be a loose or missing fuel fill cap. Check the cap and tighten it until it clicks several times. Replace the fuel fill cap if it is missing. Tightening the cap will not make the indicator turn off immediately; it takes at least three days of normal driving.

If the indicator remains on past that, or the fuel cap was not loose or missing, have the car checked by the dealer as soon as possible. Drive moderately until the dealer has inspected the problem. Avoid full-throttle acceleration and driving at high speed.

You should also have the dealer inspect your car if this indicator comes on repeatedly, even though it may turn off as you continue driving.

NOTICE

If you keep driving with the malfunction indicator lamp on, you can damage your car's emissions controls and engine. Those repairs may not be covered by your car's warranties.

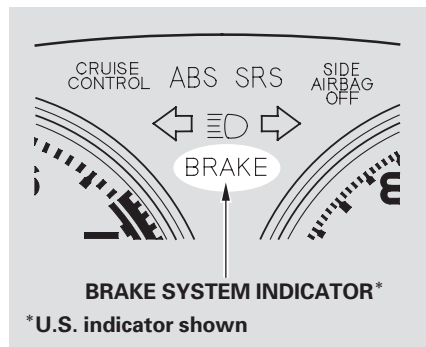
Readiness Codes

Your car has certain “readiness codes” that are part of the on-board diagnostics for the emissions systems. In some states, part of the emissions testing is to make sure these codes are set. If they are not set, the test cannot be completed.

If your car’s battery has been disconnected or gone dead, these codes are erased. It takes several days of driving under various conditions to set the codes again.

If possible, do not take your car for a state emissions test until the readiness codes are set. To check if they are set, turn the ignition ON (II), but do not start the engine. The Malfunction Indicator Lamp will come on for 20 seconds. If it then goes off, the readiness codes are set. If it blinks 5 times, the readiness codes are not set. See State Emissions Testing on pages [299](#) and [300](#).

Brake System Indicator



The Brake System Indicator normally comes on when you turn the ignition switch ON (II). It is a reminder to check the parking brake. It comes on and stays lit if you do not fully release the parking brake.

If it comes on at any other time, it indicates a problem with the car's brake system. In most cases, the problem is a low fluid level in the brake fluid reservoir. Press lightly on the brake pedal to see if it feels

normal. If it does, check the brake fluid level the next time you stop at a service station (see page 219). If the fluid level is low, take the car to your dealer and have the brake system inspected for leaks or worn brake pads.

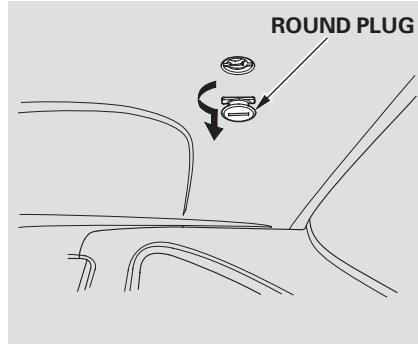
However, if the brake pedal does not feel normal, you should take immediate action. Because of the brake system's dual-circuit design, a problem in one part of the system will still give you braking at two wheels. You will feel the brake pedal go down much farther before the car begins to slow down, and you will have to press harder on the pedal. The distance needed to stop will be much longer.

Slow down by shifting to a lower gear, and pull to the side of the road when it is safe. Because of the longer distance needed to stop, it is hazardous to drive the car. You should have it towed, and repaired as soon as possible. (See **Emergency Towing** on page 285.)

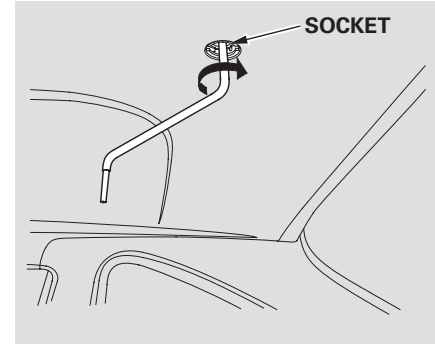
If you must drive the car a short distance in this condition, drive slowly and cautiously.

If the electric motor will not close the moonroof, do the following:

1. Check the fuse for the moonroof motor (see page 281). If the fuse is blown, replace it with one of the same or lower rating.
2. Try closing the moonroof. If the new fuse blows immediately or the moonroof motor still does not operate, you can close the moonroof manually.
3. Get the moonroof wrench out of the tool kit in the cargo area.

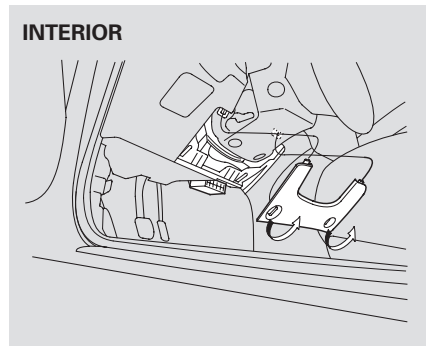


4. Use a screwdriver or coin to remove the round plug in the center of the headliner.



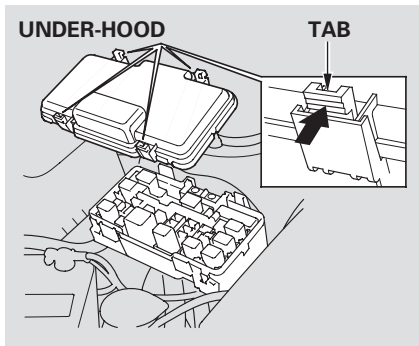
5. Insert the moonroof wrench into the socket behind this plug. Turn the wrench until the moonroof is fully closed.
6. Remove the wrench. Reinstall the round plug.

Fuses



All the electrical circuits in your car have fuses to protect them from a short circuit or overload. These fuses are located in two or three fuse boxes.

The interior fuse box is underneath the dashboard on the driver's side. Remove the fuse box by turning the knob and pulling the lid straight out of its hinges.



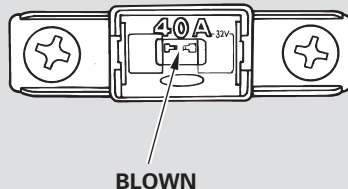
The under-hood fuse box is located in the engine compartment next to the battery. To open it, push the tab as shown.

Checking and Replacing Fuses

If something electrical in your car stops working, the first thing you should check for is a blown fuse. Determine from the chart on pages 283 and 284, or the diagram on the fuse box lid, which fuse or fuses control that component. Check those fuses first, but check all the fuses before deciding that a blown fuse is not the cause. Replace any blown fuses and check the component's operation.

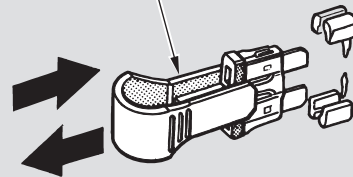
1. Turn the ignition switch to LOCK (0). Make sure the headlights and all other accessories are off.
2. Remove the cover from the fuse box.

FUSE



3. Check each of the large fuses in the under-hood fuse box by looking through the top at the wire inside. Removing these fuses requires a Phillips-head screwdriver.

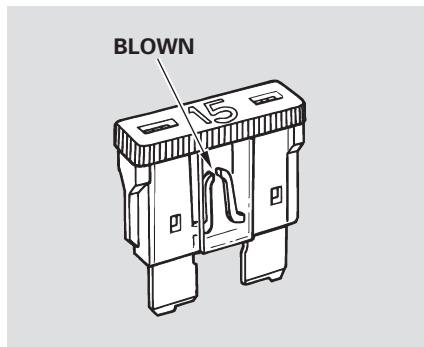
FUSE PULLER



4. Check the smaller fuses in the under-hood fuse box and all the fuses in the interior fuse box by pulling out each fuse with the fuse puller provided in the interior fuse box.

CONTINUED

Fuses



5. Look for a burned wire inside the fuse. If it is burned, replace it with one of the spare fuses of the same rating or lower.

If you cannot drive the car without fixing the problem, and you do not have a spare fuse, take a fuse of the same rating or a lower rating from one of the other circuits. Make sure you can do without that circuit temporarily (such as the cigarette lighter or radio).

If you replace the blown fuse with a spare fuse that has a lower rating, it might blow out again. This does not indicate anything wrong. Replace the fuse with one of the correct rating as soon as you can.

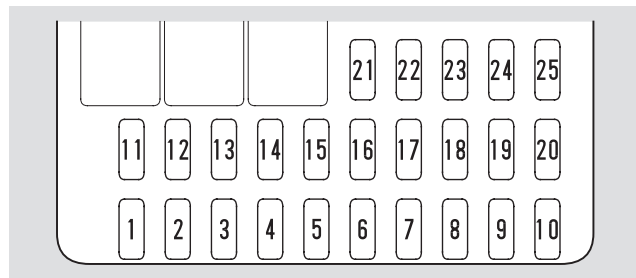
NOTICE

Replacing a fuse with one that has a higher rating greatly increases the chances of damaging the electrical system. If you do not have a replacement fuse with the proper rating for the circuit, install one with a lower rating.

6. If the replacement fuse of the same rating blows in a short time, there is probably a serious electrical problem in your car. Leave the blown fuse in that circuit and have your car checked by a qualified mechanic.

If the radio fuse is removed, the audio system will disable itself. The next time you turn on the radio you will see “Code” in the frequency display. Use the Preset buttons to enter the five-digit code (see page [147](#)).

INTERIOR FUSE BOX



No.	Circuits Protected
1	Ignition Coil
2	Laf Heater
3	Daytime Running Lights* ¹
4	ACG (IG)
5	Not Used
6	Power Window Relay
7	Moon roof
8	Radio
9	Rear Wiper
10	Gauge panel
11	ABS
12	Daytime Running Lights* ¹

No.	Circuits Protected
13	SRS
14	Power Mirror
15	Bass Speaker* ²
16	Heated Seats* ¹
17	Fuel Pump
18	Accessory Power Socket
19	Turn Signal
20	Front Wiper
21	Not Used
22	Front Passenger's Power Window
23	Driver's Power Window
24	Not Used
25	Not Used

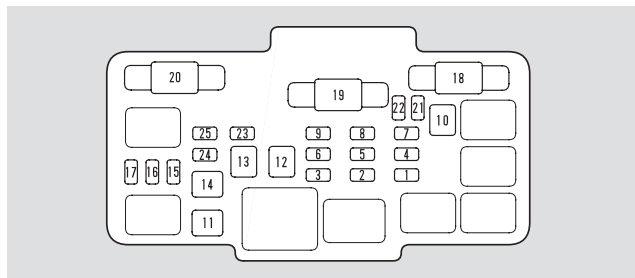
* 1 : Canadian models only

* 2 : Type-S only



Fuses

UNDER HOOD FUSE BOX



No.	Circuits Protected
1	Condenser fan
2	Small Light
3	Interior Light
4	Cooling Fan
5	Hazard
6	FI ECU
7	Horn, Stop
8	ABS (F/S)
9	Back Up
10	ABS Motor
11	Rear Demister
12	Heater Mortor
13	Power Window
14	Option
15	Left Headlight
16	Door Lock
17	Right Headlight
18	Not Used
19	Main Fuse Battery
20	Main Fuse Ignition
21-25	Spare Fuse

If your car needs to be towed, call a professional towing service or, if you belong to one, an organization that provides roadside assistance. Never tow your car behind another vehicle with just a rope or chain. It is very dangerous.

There are three popular types of professional towing equipment.

Flat-bed Equipment — The operator loads your car on the back of a truck. **This is the best way to transport your Acura.**

Wheel-lift Equipment — The tow truck uses two pivoting arms that go under the tires (front or rear) and lift them off the ground. The other two tires remain on the ground. **This is an acceptable way to tow your Acura.**

Sling-type Equipment — The tow truck uses metal cables with hooks on the ends. These hooks go around parts of the frame or suspension and the cables lift that end of the car off the ground. Your car's suspension and body can be seriously damaged. **This method of towing is unacceptable.**

If your Acura cannot be transported by flat-bed, it should be towed by wheel-lift equipment with the front wheels off the ground. If, due to damage, your car must be towed with the front wheels on the ground, do the following.

Manual Transmission:

- Release the parking brake.
- Shift the transmission to Neutral.

Automatic Transmission

- Release the parking brake.
- Start the engine.
- Shift to D, then to N.
- Turn off the engine.

NOTICE

Improper towing preparation will damage the transmission. Follow the above procedure exactly. If you cannot shift the transmission or start the engine (automatic transmission), your car must be transported with the front wheels off the ground.

With the front wheels on the ground, it is best to tow the vehicle no farther than 50 miles (80 km), and keep the speed below 35 mph (55 km/h).

CONTINUED

Emergency Towing

If you decide to tow your car with all four wheels on the ground, make sure you use a properly-designed and attached tow bar. Prepare the car for towing as described above, and leave the ignition switch in Accessory (I) so the steering wheel does not lock. Make sure the radio and any electrical accessories are turned off so they do not run down the battery.

NOTICE

The steering system can be damaged if the steering wheel is locked. Leave the ignition switch in Accessory (I), and make sure the steering wheel turns freely before you begin towing.

NOTICE

Trying to lift or tow your car by the bumpers will cause serious damage. The bumpers are not designed to support the car's weight.

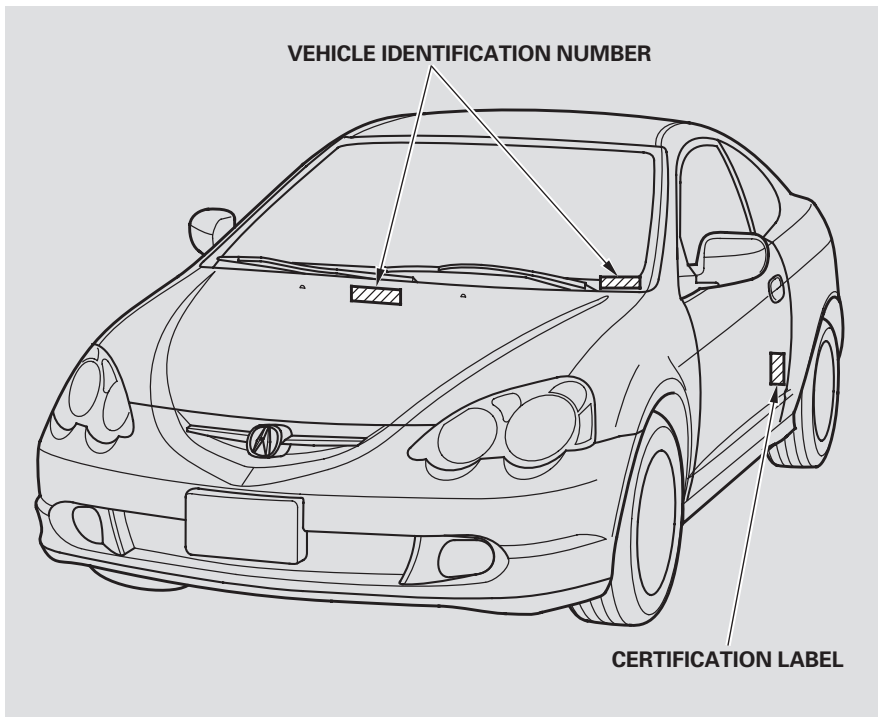
The diagrams in this section give you the dimensions and capacities of your Acura, and the locations of the identification numbers. It also includes information you should know about your vehicle's tires and emissions control systems.

Identification Numbers.....	288	Emissions Controls.....	296
Specifications	290	The Clean Air Act.....	296
DOT Tire Quality Grading		Crankcase Emissions Control	
(U.S. Cars).....	292	System.....	296
Treadwear	292	Evaporative Emissions Control	
Traction – AA, A, B, C	292	System.....	296
Temperature – A, B, C.....	293	Onboard Refueling Vapor	
Oxygenated Fuels.....	294	Recovery	297
Driving in Foreign Countries	295	Exhaust Emissions Controls ...	297
		PGM-FI System	297
		Ignition Timing Control	
		System.....	297
		Three Way Catalytic	
		Converter.....	297
		Replacement Parts.....	297
		Three Way Catalytic Converter...	298
		State Emissions Testing	299

Identification Numbers

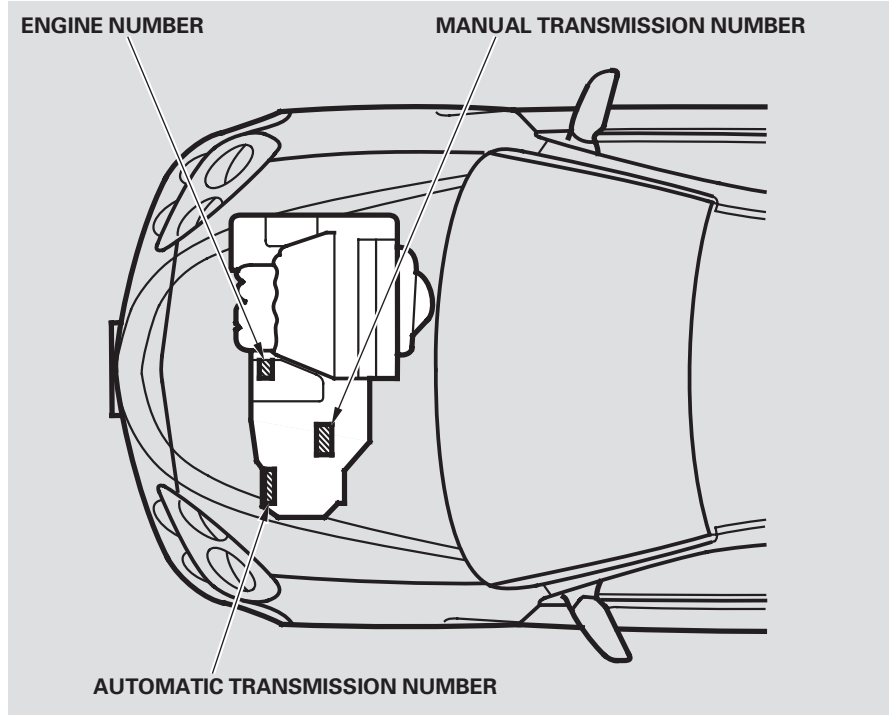
Your car has several identifying numbers located in various places.

The Vehicle Identification Number (VIN) is the 17-digit number your Acura dealer uses to register your car for warranty purposes. It is also necessary for licensing and insuring your car. The easiest place to find the VIN is on a plate fastened to the top of the dashboard. You can see it by looking through the windshield on the driver's side. It is also on the Certification label attached to the driver's doorjamb, and is stamped on the engine compartment bulkhead. The VIN is also provided in bar code on the Certification label.



The Engine Number is stamped into the engine block.

The Transmission Number is on a label on top of the transmission.



Specifications

Dimensions

Length	173.0 in (4,395 mm)
Width	67.9 in (1,725 mm)
Height	55.1 in (1,400 mm)
Wheelbase	101.2 in (2,570 mm)
Track	Front 58.3 in (1,482 mm)
	Rear 58.3 in (1,481 mm)

Weights

Gross vehicle weight rating	See the certification label attached to the driver's doorjamb.
-----------------------------	--

Engine

Type	Water cooled 4-stroke DOHC VTEC in line, 4-cylinder gasoline engine.
Bore x Stroke	3.19 x 3.50 in (81.0 x 88.9 mm)
Displacement	121.9 cu-in (1,998 cm ³)
Compression ratio	9.8 : 1* ¹ 11.0 : 1* ²
Spark plugs	See spark plug maintenance section page 224 .

* 1 : RSX and Premium models

* 2 : Type-S

Air Conditioning

Refrigerant type	HFC-134a (R-134a)
Charge quantity	17.6 – 19.4 oz (500 – 550 g)
Lubricant type	SP-10

Capacities

Fuel tank	Approx. 13.2 US gal (50 ℓ)	
Engine coolant	Change* ¹	
	Manual	1.35 US gal (5.1 ℓ)
	Automatic	1.32 US gal (5.0 ℓ)
	Total	
	Manual	1.69 US gal (6.4 ℓ)
	Automatic	1.66 US gal (6.3 ℓ)
Engine oil	Change** ⁴	
	Including filter	4.2 US qt (4.0 ℓ)* ²
		4.8 US qt (4.5 ℓ)* ³
	Without filter	4.2 US qt (4.0 ℓ)* ²
		4.8 US qt (4.5 ℓ)* ³
Total	5.6 US qt (5.3 ℓ)* ² 6.1 US qt (5.8 ℓ)* ³	

* 1 : Including the coolant in the reserve tank and that remaining in the engine.

Reserve tank capacity:
0.16 US gal (0.6 ℓ)

* 2 : RSX and Premium models

* 3 : Type-S

* 4 : Excluding the oil remaining in the engine.



Capacities

Manual transmission fluid	Change	1.6 US qt (1.5 ℓ)
	Total	1.8 US qt (1.7 ℓ)
Automatic transmission fluid	Change	2.9 US qt (2.7 ℓ)
	Total	6.9 US qt (6.5 ℓ)
Windshield washer reservoir	U.S. cars	2.6 US qt (2.5 ℓ)
	Canadian cars	4.8 US qt (4.5 ℓ)

Lights

Headlights	High	12 V – 55 W
	Low	12 V – 55 W
Front turn signal		12 V – 21 W
Front position lights		12 V – 5 W (Amber)
Rear turn signal lights		12 V – 21 W
Brake/Taillights		12 V – 21 W/5 W
High-mount brake light		12 V – 21 W
Rear side marker lights		12 V – 5 W
Back-up lights		12 V – 21 W
License plate lights		12 V – 5 W
Ceiling light		12 V – 8 W
Cargo area light		12 V – 5 W
Spotlights		12 V – 8 W
Glove Box light		12 V – 3.4 W

Battery

Capacity	12 V – 36 AH/5 HR
----------	-------------------

Fuses

Interior	See page 283 or the fuse label attached to the inside of the fuse box door under the dashboard.
Under-hood	See page 284 or the fuse box cover.

Alignment

Toe-in	Front	0.0 in (0 mm)
	Rear	0.08 in (2.0 mm)
Camber	Front	0°00'
	Rear	–0°45'
Caster	Front	1°30'

Tires

Size	Front/Rear	P195/65R15 89H *1 P205/55R16 89V *2, *3, *4
	Spare	T135/70D15 99M *1, *2, *3 T125/70D16 96M *4
Pressure	Front	33 psi (230 kPa , 2.3 kgf/cm ²)
	Rear	31 psi (220 kPa , 2.2 kgf/cm ²)
	Spare	60 psi (420 kPa , 4.20 kgf/cm ²)

- * 1 : Canadian RSX
- * 2 : U.S. RSX
- * 3 : Canadian Premium
- * 4 : Type-S



DOT Tire Quality Grading (U.S. Cars)

The tires on your car meet all U.S. Federal Safety Requirements. All tires are also graded for treadwear, traction, and temperature performance according to Department of Transportation (DOT) standards. The following explains these gradings.

Uniform Tire Quality Grading

Quality grades can be found where applicable on the tire sidewall between the tread shoulder and the maximum section width. For example:

Treadwear 200

Traction AA

Temperature A

DOT Quality Grades

All passenger car tires must conform to Federal Safety Requirements in addition to these grades.

Treadwear

The treadwear grade is a comparative rating based on the wear rate of the tire when tested under controlled conditions on a specified government test course. For example, a tire graded 150 would wear one and one-half (1 1/2) times as well on the government course as a tire graded 100. The relative performance of tires depends upon the actual conditions of their use, however, and may depart significantly from the norm due to variations in driving habits, service practices and differences in road characteristics and climate.

Traction — AA, A, B, C

The traction grades, from highest to lowest, are AA, A, B, and C. Those grades represent the tire's ability to stop on wet pavement as measured under controlled conditions on specified government test surfaces of asphalt and concrete. A tire marked C may have poor traction performance.

Warning: The traction grade assigned to this tire is based on straight-ahead braking traction tests, and does not include acceleration, cornering, hydroplaning, or peak traction characteristics.

Temperature – A, B, C

The temperature grades are A (the highest), B, and C, representing the tire's resistance to the generation of heat and its ability to dissipate heat when tested under controlled conditions on a specified indoor laboratory test wheel. Sustained high temperature can cause the material of the tire to degenerate and reduce tire life, and excessive temperature can lead to sudden tire failure. The grade C corresponds to a level of performance which all passenger car tires must meet under the Federal Motor Vehicle Safety Standard No. 109. Grades B and A represent higher levels of performance on the laboratory test wheel than the minimum required by law.

Warning: The temperature grade for this tire is established for a tire that is properly inflated and not overloaded. Excessive speed, underinflation, or excessive loading, either separately or in combination, can cause heat buildup and possible tire failure.

Oxygenated Fuels

Some conventional gasolines are being blended with alcohol or an ether compound. These gasolines are collectively referred to as oxygenated fuels. To meet clean air standards, some areas of the United States and Canada use oxygenated fuels to help reduce emissions.

If you use an oxygenated fuel, be sure it is unleaded and meets the minimum octane rating requirement.

Before using an oxygenated fuel, try to confirm the fuel's contents. Some states/provinces require this information to be posted on the pump.

The following are the U.S. EPA and Canadian CGSB approved percentages of oxygenates:

ETHANOL (ethyl or grain alcohol)

You may use gasoline containing up to 10 percent ethanol by volume. Gasoline containing ethanol may be marketed under the name "Gasohol."

MTBE (Methyl Tertiary Butyl Ether)

You may use gasoline containing up to 15 percent MTBE by volume.

METHANOL (methyl or wood alcohol)

Your vehicle was not designed to use fuel that contains methanol.

Methanol can corrode metal parts in the fuel system, and also damage plastic and rubber components. This damage would not be covered by your warranties.

If you notice any undesirable operating symptoms, try another service station or switch to another brand of gasoline.

Fuel system damage or performance problems resulting from the use of an oxygenated fuel containing more than the percentages of oxygenates given above are not covered under warranty.

If you are planning to take your Acura outside the U.S. or Canada, contact the tourist bureaus in the areas you will be traveling in to find out about the availability of unleaded gasoline with the proper octane rating.

If unleaded gasoline is not available, be aware that using leaded gasoline in your Acura will affect performance and fuel mileage, and damage its emissions controls. It will no longer comply with U.S. and Canadian emissions regulations, and will be illegal to operate in North America. To bring your car back into compliance will require the replacement of several components, such as the oxygen sensors and the three way catalytic converter. These replacements are not covered under warranty.

Emissions Controls

The burning of gasoline in your car's engine produces several byproducts. Some of these are carbon monoxide (CO), oxides of nitrogen (NOx) and hydrocarbons (HC). Gasoline evaporating from the tank also produces hydrocarbons. Controlling the production of NOx, CO, and HC is important to the environment. Under certain conditions of sunlight and climate, NOx and HC react to form photochemical "smog." Carbon monoxide does not contribute to smog creation, but it is a poisonous gas.

The Clean Air Act

The United States Clean Air Act* sets standards for automobile emissions. It also requires that automobile manufacturers explain to owners how their emissions controls work and what to do to maintain them. This section summarizes how the emissions controls work. Scheduled maintenance is on page 196 .

* In Canada, Acura vehicles comply with the Canadian emission requirements, as specified in an agreement with Environment Canada, at the time they are manufactured.

Crankcase Emissions Control System

Your car has a Positive Crankcase Ventilation System. This keeps gasses that build up in the engine's crankcase from going into the atmosphere. The Positive Crankcase Ventilation valve routes them from the crankcase back to the intake manifold. They are then drawn into the engine and burned.

Evaporative Emissions Control System

As gasoline evaporates in the fuel tank, an evaporative emissions control canister filled with charcoal adsorbs the vapor. It is stored in this canister while the engine is off. After the engine is started and warmed up, the vapor is drawn into the engine and burned during driving.

Onboard Refueling Vapor Recovery

The Onboard Refueling Vapor Recovery (ORVR) system captures the fuel vapors during refueling. The vapors are adsorbed in a canister filled with activated carbon. While driving, the fuel vapors are drawn into the engine and burned off.

Exhaust Emissions Controls

The exhaust emissions controls include three systems: PGM-FI, Ignition Timing Control and Three Way Catalytic Converter. These three systems work together to control the engine's combustion and minimize the amount of HC, CO, and NOx that comes out the tailpipe. The exhaust emissions control systems are separate from the crankcase and evaporative emissions control systems.

PGM-FI System

The PGM-FI System uses sequential multiport fuel injection. It has three subsystems: Air Intake, Engine Control, and Fuel Control. The Engine Control Module (ECM) or the Powertrain Control Module (PCM) uses various sensors to determine how much air is going into the engine. It then controls how much fuel to inject under all operating conditions.

Ignition Timing Control System

This system constantly adjusts the ignition timing, reducing the amount of HC, CO and NOx produced.

Three Way Catalytic Converter

The three way catalytic converter is in the exhaust system. Through chemical reactions, it converts HC, CO, and NOx in the engine's exhaust to carbon dioxide (CO₂), nitrogen (N₂), and water vapor.

Replacement Parts

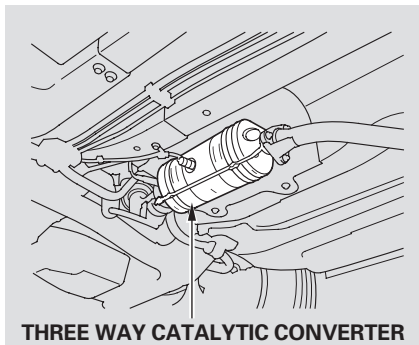
The emissions control systems are designed and certified to work together in reducing emissions to levels that comply with the Clean Air Act. To make sure the emissions remain low, you should use only new Genuine Acura replacement parts or their equivalent for repairs. Using lower quality parts may increase the emissions from your car.

The emissions control systems are covered by warranties separate from the rest of your car. Read your warranty manual for more information.

Three Way Catalytic Converter

The three way catalytic converter contains precious metals that serve as catalysts, promoting chemical reactions to convert the exhaust gasses without affecting the metals. The catalytic converter is referred to as a three-way catalyst, since it acts on HC, CO, and NOx. A replacement unit must be an original Acura part or its equivalent.

The three way catalytic converter must operate at a high temperature for the chemical reactions to take place. It can set on fire any combustible materials that come near it. Park your car away from high grass, dry leaves, or other flammables.



A defective three way catalytic converter contributes to air pollution, and can impair your engine's performance. Follow these guidelines to protect your car's three way catalytic converter.

- Always use unleaded gasoline. Even a small amount of leaded gasoline can contaminate the catalyst metals, making the three way catalytic converter ineffective.

- Keep the engine tuned-up.
- Have your car diagnosed and repaired if it is misfiring, back-firing, stalling, or otherwise not running properly.

Testing of Readiness Codes

If you take your vehicle for a state emissions test shortly after the battery has been disconnected or gone dead, it may not pass the test. This is because of certain “readiness codes” that must be set in the on-board diagnostics for the emissions systems. These codes are erased when the battery is disconnected, and set again only after several days of driving under a variety of conditions.

If the testing facility determines that the readiness codes are not set, you will be requested to return at a later date to complete the test. If you must get the vehicle re-tested within the next two or three days, you can condition the vehicle for re-testing by doing the following.

- Make sure the gas tank is nearly, but not completely, full (around 3/4).
- Make sure the vehicle has been parked with the engine off for 8 hours or more.
- Make sure the ambient temperature is between 20° and 95° F.

- Without touching the accelerator pedal, start the engine and let it idle for 20 seconds.
- Keep the vehicle in Park (automatic transmission) or Neutral (manual transmission). Increase the engine speed to 2,000 rpm and hold it there until the temperature gauge rises to at least 1/4 of the scale (approximately 3 minutes).

CONTINUED

State Emissions Testing

- Select a nearby lightly traveled major highway where you can maintain a speed of 50 to 60 mph (80 to 97 km/h) for at least 20 minutes. Drive on the highway in D (A/T) or 5th (M/T). Do not use the cruise control. When traffic allows, drive for 90 seconds without moving the accelerator pedal. (Vehicle speed may vary slightly; this is okay.) If you cannot do this for a continuous 90 seconds because of traffic conditions, drive for at least 30 seconds, then repeat it two more times (for a total of 90 seconds).
- Then drive in city/suburban traffic for at least 10 minutes. When traffic conditions allow, let the vehicle coast for several seconds without using the accelerator pedal or the brake pedal.

If the testing facility determines the readiness codes are still not set, see your Acura dealer.

Warranty and Customer Relations

Customer Relations Information.....	302
Warranty Coverages	303
Reporting Safety Defects (U.S. Vehicles)	304
Authorized Manuals.....	306

Customer Relations Information

Acura dealership personnel are trained professionals. They should be able to answer all your questions. If you encounter a problem that your dealership does not solve to your satisfaction, please discuss it with the dealership's management. The Service Manager or General Manager can help. Almost all problems are solved in this way.

If you are dissatisfied with the decision made by the dealership's management, contact the Acura Customer Relations Office.

U.S. Owners:

American Honda Motor Co., Inc.
Acura Client Services
Mail Stop 500-2N-7E
1919 Torrance Blvd.
Torrance, CA 90501-2746

Tel: (800) 382-2238

In Puerto Rico and the U.S. Virgin Islands:

Vortex Motor Corp.
Bella International
P.O. Box 190816
San Juan, PR 00919-0816

Tel:(787) 250-4327

Canadian Owners:

CUSTOMER RELATIONS
RELATIONS AVEC LA CLIENTÈLE
Honda Canada Inc.
715 Milner Avenue
Toronto, ON
M1B 2K8

Tel:1-888-9-ACURA-9

Fax:Toll-free 1-877-939-0909
Toronto (416) 287-4776

When you call or write, please give us this information:

- Vehicle Identification Number (see page 288)
- Name and address of the dealer who services your car
- Date of purchase
- Mileage on your car
- Your name, address, and telephone number
- A detailed description of the problem
- Name of the dealer who sold the car to you

U.S. Owners

Your new Acura is covered by these warranties:

New Vehicle Limited Warranty – covers your new vehicle, except for the battery, emissions control systems and accessories, against defects in materials and workmanship.

Emissions Control Systems Defects Warranty and Emissions Performance Warranty – these two warranties cover your vehicle's emissions control systems. Time, mileage, and coverage are conditional. Please read the warranty manual for exact information.

Original Equipment Battery Limited Warranty – this warranty gives up to 100 percent credit toward a replacement battery.

Seat Belt Limited Warranty – a seat belt that fails to function properly is covered for the useful life of the vehicle.

Rust Perforation Limited Warranty – all exterior body panels are covered for rust-through from the inside for the specified time period with no mileage limit.

Accessory Limited Warranty – Acura accessories are covered under this warranty. Time and mileage limits depend on the type of accessory and other factors. Please read your warranty manual for details.

Replacement Parts Limited Warranty – covers all Acura replacement parts against defects in materials and workmanship.

Replacement Battery Limited Warranty – provides prorated coverage for a replacement battery purchased from an Acura dealer.

Replacement Muffler Lifetime Limited Warranty – provides coverage for as long as the purchaser of the muffler owns the car.

Restrictions and exclusions apply to all these warranties. Please read the 2003 Acura Warranty Information booklet that came with your car for precise information on warranty coverages. Your Acura's original tires are covered by their manufacturer. Tire warranty information is in a separate booklet.

Canadian Owners

Please refer to the 2003 Warranty Manual that came with your car.

Reporting Safety Defects (U.S. Vehicles)

If you believe that your vehicle has a defect which could cause a crash or could cause injury or death, you should immediately inform the National Highway Traffic Safety Administration (NHTSA) in addition to notifying Acura Automobile Division, American Honda Motor Co., Inc.

If NHTSA receives similar complaints, it may open an investigation, and if it finds that a safety defect exists in a group of vehicles, it may order a recall and remedy campaign. However, NHTSA cannot become involved in individual problems between you, your dealer, or Acura Automobile Division, American Honda Motor Co., Inc.

To contact NHTSA, you may either call the Auto Safety Hotline toll-free at 1-800-424-9393 (or 366-0123 in Washington D.C. area) or write to: NHTSA, U.S. Department of Transportation, Washington, D.C. 20590. You can also obtain other information about motor vehicle safety from the Hotline.

Authorized Manuals

Purchasing Factory Authorized Manuals (U.S. only)

The publications shown below can be purchased from Helm Incorporated. You can order in any of three ways:

- Detach and mail the order form on the right half of this page
- Call Helm Inc. at 1-800-782-4356 (credit card orders only)
- Go online at www.helminc.com

If you are interested in other years or models, contact Helm Inc. at 1-800-782-4356

Publication Form Number	Form Description	Price Each*
61S6M01	2002 – 03 Acura RSX Service Manual	\$69.00
61S6M01EL	2002 – 03 Acura RSX Electrical Troubleshooting Manual	\$47.00
61S6M30	2002 – 03 Acura RSX Body Repair Manual	\$44.00
31S6M610	2002 Acura RSX Owner's Manual	\$37.00
31S6M900	2003 Acura RSX Maintenance Journal	\$10.00
31S6MQ00	2003 Acura RSX Quick Start Guide	\$10.00
ACU-R	Order Form for Previous Years- Indicate Year and Model Desired	FREE
* Prices are subject to change without notice and without incurring obligation.		

Valid only for sales within the U.S. Canadian owners should contact their authorized Acura dealer.

ORDER TOLL FREE: 1-800-782-4356

(NOTE: For Credit Card Holder Orders Only)

Monday-Friday 8:00 A.M. – 6:00 P.M. EST

MINIMUM CREDIT CARD PURCHASE \$10.00

OR

By completing this form you can order the materials desired. You can pay by check or money order, or charge to your credit card. Mail to Helm Incorporated at the address shown on the back of the order form.

2 0 0 3 A C U	PUBLICATION NUMBER	VEHICLE MODEL		Qty	Price Each*	Total Price
		Name	Year			
* Prices are subject to change without notice and without incurring obligation.					TOTAL MATERIAL	
					Mich. Purchases Add 6% Sales Tax	
Orders are mailed within 10 days. Please allow adequate time for delivery.					HANDLING CHARGE	\$6.00
					GRAND TOTAL	

A	
Accessories and Modifications	162
Accessories.....	162
Additional Safety Precaution....	163
Modifications	163
ACCESSORY (Ignition Key Position)	78
Accessory Power Socket	99
Additives, Engine Oil.....	209
Airbag (SRS)	10, 48
Air Cleaner Element.....	222
Air Conditioning System.....	102
Maintenance.....	231
Usage	102
Air Outlets (Vents)	102
Air Pressure, Tires	235
Alcohol in Gasoline.....	294
Antifreeze	212
Anti-lock Brakes (ABS) Indicator.....	61, 183
Operation.....	182
Anti-theft Steering Column Lock.....	78
Appearance Care	253
Audio System	109

Automatic Speed Control.....	149
Automatic Transmission.....	173
Capacity, Fluid	290
Checking Fluid Level.....	217
Shifting.....	173
Shift Lever Position Indicator ..	173
Shift Lever Positions	173
Shift Lock Release.....	179
B	
Battery	
Charging System	
Indicator.....	61, 275
Jump Starting	269
Maintenance.....	226
Specifications	291
Before Driving	153
Belts, Seat	8, 44
Beverage Holder.....	97
Body Repair	260
Brakes	
Anti-lock System (ABS)	182
Break-in, New Linings	155
Bulb Replacement	249
Fluid	219

Parking.....	95
System Indicator	60, 278
Wear Indicators	181
Braking System.....	181
Break-in, New Car	155
Brightness Control, Instruments...	70
Brights, Headlights	69
Bulb Replacement	
Back-up Lights	249
Brake Lights.....	249
Cargo Area Light.....	250
Ceiling Light.....	250
Front Parking Lights.....	247
Front Turn Signal Lights.....	246
Headlights	244
High-mount Brake Light	247
License Plate Light.....	248
Rear Side Marker Lights	249
Specifications	291
Spotlights.....	251
Bulbs, Halogen.....	244

CONTINUED

Index

C

Capacities Chart	290, 291
Carbon Monoxide Hazard	54
Cargo Area Cover	89
Carrying Cargo	164
Cassette Player	
Care	137
Operation	133
CAUTION, Explanation of	ii
CD Changer.....	139
Care	145
Operation	141
Certification Label.....	288
Chains	241
Changing Oil	
How to	209
When to.....	196
Changing a Flat Tire	263
Changing Engine Coolant.....	214
Charging System Indicator	61, 275
Checklist, Before Driving.....	168
Child Safety	21
Child Seats.....	26
LATCH.....	42
Tether Anchorage Points	41

Cleaner Element, Air.....	222
Cleaning	
Aluminum Wheels.....	255
Carpeting	256
Exterior	254
Fabric	258
Instrument Panel	258
Interior	256
Leather.....	257
Seat Belts	257
Vinyl	257
Windows	258
Clock, Setting the	114
Clutch Fluid	219
Code, Audio System	147
CO in the Exhaust	296
Cold Weather, Starting in	169
Compact Spare	262
Console Compartment	98
Consumer Information*	302
Controls, Instruments and.....	57
Coolant	
Adding.....	212
Checking.....	160
Proper Solution	212
Replacing	214

Temperature Gauge	67
Corrosion Protection.....	259
Crankcase Emissions Control	
System.....	296
Cruise Control Operation	149
Customer Relations Office	302

D

DANGER, Explanation of	ii
Dashboard	2, 58
Daytime Running Lights.....	69
Defects, Reporting Safety.....	304
Defog and Defrost.....	105
Defogger, Rear Window	72
Dimensions.....	290
Dimming the Headlights	69
Dipstick	
Automatic Transmission.....	217
Engine Oil.....	159
Directional Signals.....	70
Disc Brake Wear Indicators.....	181
Disposal of Used Oil.....	211
Doors	
Locking and Unlocking.....	79
Power Door Locks.....	80

DOT Tire Quality Grading	292
Downshifting, 5-speed and 6-speed Manual Transmission	170
Drive Belts.....	234
Driver and Passenger Safety.....	5
Driving	167
Economy	161
In Bad Weather.....	184
In Foreign Countries.....	295

E

Economy, Fuel	161
Emergencies on the Road.....	261
Battery, Jump Starting	270
Brake System Indicator	278
Changing a Flat Tire	263
Charging System Indicator	275
Checking the Fuses.....	281
Low Oil Pressure Indicator	274
Malfunction Indicator Lamp	276
Manually Closing Moonroof	279
Overheated Engine	272
Emergency Brake.....	95
Emergency Flashers	73
Emergency Towing	285

Emissions Controls.....	296
Emissions Testing, State	299
Engine	
Coolant Temperature Gauge	67
Drive Belts.....	234
Malfunction Indicator Lamp	61, 276
Oil Pressure Indicator.....	61, 274
Oil, What Kind to Use.....	207
Overheating.....	272
Specifications	290
Starting.....	169
Ethanol in Gasoline	294
Evaporative Emissions Controls..	296
Exhaust Fumes	54
Expectant Mothers, Use of Seat Belts by	25
Exterior, Cleaning the.....	254

F

Fabric, Cleaning.....	257
Fan, Interior.....	102
Features, Comfort and Convenience	101
Filling the Fuel Tank.....	156

Filters	
Air Cleaner	222
Oil	209
Manual Transmission	
Checking Fluid Level.....	219
Shifting the	170
Flashers, Hazard Warning.....	73
Flat Tire, Changing a	263
Fluids	
Automatic Transmission.....	217
Brake	219
Clutch.....	220
Manual Transmission	219
Power Steering.....	221
Windshield Washer.....	216
FM Stereo Radio	
Reception.....	126
Folding Rear Seat	87
Foreign Countries, Driving in.....	295
Four-way Flashers	73

CONTINUED

Index

Fuel.....	155
Fill Door and Cap.....	156
Gauge	67
Octane Requirement	155
Oxygenated	294
Reserve Indicator.....	62
Tank, Filling the.....	156
Fuses, Checking the.....	280

G

Gas Mileage, Improving.....	161
Gasohol	294
Gasoline	155
Fuel Reserve Indicator.....	62
Gauge	66
Octane Requirement	155
Tank, Filling the.....	156
Gas Station Procedures.....	156
Gauges	
Engine Coolant Temperature	67
Fuel.....	67
Speedometer	66
Tachometer	66
Gearshift Lever Positions	
Automatic Transmission.....	173

5-speed and 6-speed Manual Transmission.....	170
Glass Cleaning	258
Glove Box	84

H

Halogen Headlight Bulbs.....	244
Hatch.....	80
Opening the	80
Open Monitor Light	62
Hazard Warning Flashers.....	73
Headlights	
Aiming.....	244
Daytime Running Lights.....	69
High Beam Indicator	62
Reminder Chime.....	69
Replacing Halogen Bulbs	244
Turning on	69
Head Restraints	11
Heating and Cooling.....	102
High Altitude, Starting at.....	169
High-Low Beam Switch	69
High-mount Brake Light.....	247
Hood Latch.....	224
Hood, Opening the	157

Horn.....	68
Hydraulic Clutch.....	220
Hydroplaning.....	185

I

Identification Number, Vehicle....	288
Ignition	
Keys.....	75
Switch.....	77
Timing Control System.....	297
Immobilizer System.....	76
Important Safety Precautions	6
Indicators, Instrument	
Panel.....	59
Infant Restraint	21
Infant Seats.....	30
Tether Anchorage Points	41
LATCH.....	42
Inflation, Proper Tire	235
Inside Mirror	94
Inspection, Tire	236
Instrument Panel	2, 58
Instrument Panel Brightness.....	70
Interior Cleaning.....	256
Interior Lights.....	99

Introduction..... i

J

Jacking up the Car 265
 Jack, Tire 264
 Jump Starting 270

K

Keys..... 75

L

Label, Certification 288
 Lane Change, Signaling 70
 Lap/Shoulder Belts 16, 44
 Leather, Cleaning 257
 Lights
 Bulb Replacement 244
 Indicator 59
 Parking 69
 Turn Signal 70
 Load Limit 165
 LOCK (Ignition Key Position) 78

Locks

Anti-theft Steering Column 78
 Fuel Fill Door 156
 Glove Box 84
 Hatch 80
 Power Door and Hatch 80
 Low Coolant Level..... 160
 Lower Gear, Downshifting to a.... 170
 Low Fuel Indicator 60
 Low Oil Pressure Indicator ... 61, 274
 Lubricant Specifications
 Chart 290, 291
 Luggage 164

M

Maintenance..... 193
 Owner Maintenance Checks.... 205
 Record..... 203
 Required Indicator..... 64
 Schedule 198-202
 Malfunction Indicator Lamp .. 61, 276
 Manual Transmission..... 170
 Manual Transmission Fluid 219
 Meters, Gauges..... 66
 Methanol in Gasoline 294

Mirrors, Adjusting 94
 Moonroof 93
 Closing Manually 279
 Operation 93

N

Neutral Gear Position..... 174
 New Vehicle Break-in 155
 Normal Shift Speeds..... 171
 NOTICE, Explanation of..... i
 Numbers, Identification 288

O

Octane Requirement, Gasoline 155
 Odometer 66
 Odometer, Trip 66

CONTINUED

Index

Oil			
Change, How to	209	Polishing and Waxing	255
Change, When to	198	Pre-Drive Safety Checklist	12
Checking Engine	159	Pregnancy, Using Seat Belts	19
Pressure Indicator	61, 274	Protecting Adults	13
Selecting Proper Viscosity		Additional Safety Precautions....	19
Chart	208	Advice for Pregnant Women.....	19
ON (Ignition Key Position)	78	Protecting Children	21
Onboard Refueling Vapor		Protecting Infants	30
Recovery	297	Protecting Larger Children.....	37
Operation in Foreign Countries... ..	287	Protecting Small Children	34
Outside Mirrors	94	Using Child Seats with	
Overheating, Engine	272	Tethers.....	41
Oxygenated Fuels.....	294	Using LATCH	42
Owner Maintenance Checks.....	205		
		R	
		Radiator Overheating	272
		Radio/CD Sound System.....	125
		Readiness Codes.....	299
		Rear Lights, Bulb Replacement... ..	249
		Rear Seat Access	86
		Rear Seat, Folding	87
		Rear View Mirror.....	94
		Rear Window Defogger	73
		Rear Window Washer	72
		Rear Window Wiper	72
		Reclining the Seat Backs	85
		Recommended Shift Speeds	171
		Reminder Lights	59
		Replacement Information	
		Air Cleaner Element.....	222
		Coolant	214
		Engine Oil and Filter	209
		Fuses	280
		Light Bulbs	244
		Schedule	198
		Spark Plugs.....	224
		Tires	235
		Wiper Blades	229
		Replacing Seat Belts After a	
		Crash	46
		Reserve Tank, Engine Coolant	212
		Restraint, Child	21
		Reverse Gear Position.....	174
		Rotation, Tire	238
		S	
		Safety Belts.....	8, 48
		Safety Features	7
		Airbags.....	10
		Door Locks	11

Head Restraints	11	Shifting		START (Ignition Key Position)	78
Seat Belts	8	The Automatic Transmission ..	173	Starting the Engine.....	169
Seats & Seat-Backs.....	11	The 5-speed and 6-speed Manual		In Cold Weather at High	
Safety Labels, Location of	55	Transmission.....	170	Altitude	169
Safety Messages	ii	Signaling Turns.....	70	With a Dead Battery	270
Seat Belts	8, 44	Snow Tires.....	241	Steam Coming from Engine	272
Additional Information.....	44	Solvent-type Cleaners.....	254	Steering Wheel	
Cleaning	257	Sound System.....	109	Adjustment	74
Lap/Shoulder Belt.....	16, 44	Spare Tire		Anti-theft Column Lock	78
Maintenance.....	46	Inflating.....	262	Stereo Sound System	125
Reminder Light and		Specifications	289	Storing Your Car	252
Beeper.....	44, 60	Spark Plugs, Replacing	224	Supplemental Restraint	
System Components.....	44	Specifications Charts.....	290	System.....	10, 48
Use During Pregnancy.....	19	Speed Control.....	74	Servicing	51
Wearing a Lap/Shoulder Belt...	16	Speedometer	66	SRS Indicator.....	51, 60
Seat Heaters	88	Spotlights.....	100	Synthetic Oil.....	209
Seats, Adjusting the.....	13, 85	SRS, Additional Information.....	48		
Security System	148	Additional Safety Precautions...	53		
Serial Number	288	How Your Airbags Work	48		
Service Intervals	198	How Your Side Airbags Work...	50		
Service Manual*	306	How the SRS Indicator Light			
Service Station Procedures	156	Works.....	52		
Setting the Clock	130	SRS Components	48		
Shift Lever Position Indicator	173	SRS Service.....	51		
Shift Lock Release.....	179	SRS Indicator.....	51, 60		
		State Emissions Testing	299		

T

Tachometer	66
Taillights, Changing Bulbs in.....	249
Taking Care of the	
Unexpected	261
Tape Player.....	133

CONTINUED

Index

Technical Descriptions	287
Emissions Control Systems.....	296
Oxygenated Fuels.....	294
Three Way Catalytic Converter.....	298
Temperature Gauge	67
Tether Anchorage Points	41
Three Way Catalytic Converter...	298
Time, Setting the	130
Tire Chains	241
Tire, How to Change a Flat	263
Tires	235
Air Pressure	235
Checking Wear	236
Compact Spare	262
DOT Tire Quality Grading	292
Inflation	235
Inspection	236
Maintenance.....	237
Replacing	239
Rotating.....	238
Snow	241
Specifications	290
Tire Chains	241
Winter Driving	240
Tools, Tire Changing	263

Towing	
A Trailer.....	186
Emergency	285
Transmission	
Checking Fluid Level, Automatic	217
Checking Fluid Level, Manual	219
Fluid Selection	218, 219
Identification Number.....	288
Shifting the Automatic.....	173
Shifting the Manual.....	170
Treadwear	292
Trip Meter	67
Turn Signals	70

U

Underside, Cleaning.....	259
Unexpected, Taking Care of the	261
Uniform Tire Quality Grading	292
Unleaded Gasoline.....	155
Upholstery Cleaning.....	256
Used Oil, How to Dispose of	211

V

Vanity Mirror	96
Vehicle Capacity Load	165
Vehicle Dimensions.....	290
Vehicle Identification Number....	288
Vehicle Storage	252
Ventilation	103
VIN	287
Vinyl Cleaning	257
Viscosity, Oil.....	208

W

WARNING, Explanation of	ii
Warning Labels, Location of	55
Warranty Coverages*	303
Washer, Windshield	
Checking the Fluid Level	216
Operation.....	72
Washing	254
Waxing and Polishing	255
Wheels	
Adjusting the Steering	74
Alignment and Balance.....	237
Cleaning Aluminum Alloys.....	255

Compact Spare	262
Wrench	264
Windows	
Cleaning	258
Operating the Power	90
Rear, Defogger	73
Windshield	
Cleaning	72
Defroster	102
Washers	72
Wipers, Windshield	
Changing Blades.....	229
Operation	72
Worn Tires	236
Wrecker, Emergency Towing.....	285

*: U.S. and Canada only

Service Information Summary

Gasoline:

(All except Type-S)
Unleaded gasoline, pump octane number of 86 or higher.

(Type-S)

Premium unleaded gasoline, pump octane number of 91 or higher.

Fuel Tank Capacity:

13.2 US gal (50 ℓ)

Recommended Engine Oil:

API Premium grade detergent oil.

Except Type-S: SAE 5W-20

Type-S: SAE 5W-30

Oil change capacity (including filter):

(All except Type S)

4.2 US qt (4.0 ℓ)

(Type S)

4.8 US qt (4.5 ℓ)

Automatic Transmission Fluid:

Honda ATF-Z1 (Automatic Transmission Fluid) preferred, or a DEXRON® III ATF as a temporary replacement (see page [217](#)).

Manual Transmission Fluid:

Honda Manual Transmission Fluid preferred, or an SAE 10W-30 or 10W-40 motor oil as a temporary replacement (see page [219](#)).

Capacity (including differential):

1.6 US qt (1.5 ℓ)

Power Steering Fluid:

Honda Power Steering Fluid preferred, or another brand of power steering fluid as a temporary replacement. Do not use ATF (see page [221](#)).

Brake Fluid:

Honda Heavy Duty Brake Fluid DOT 3 preferred, or a DOT 3 or DOT 4 brake fluid as a temporary replacement (see page [219](#)).

Tire Pressure (measured cold):

Front:

33 psi (230 kPa , 2.3 kgf/cm²)

Rear:

31 psi (220 kPa , 2.2 kgf/cm²)