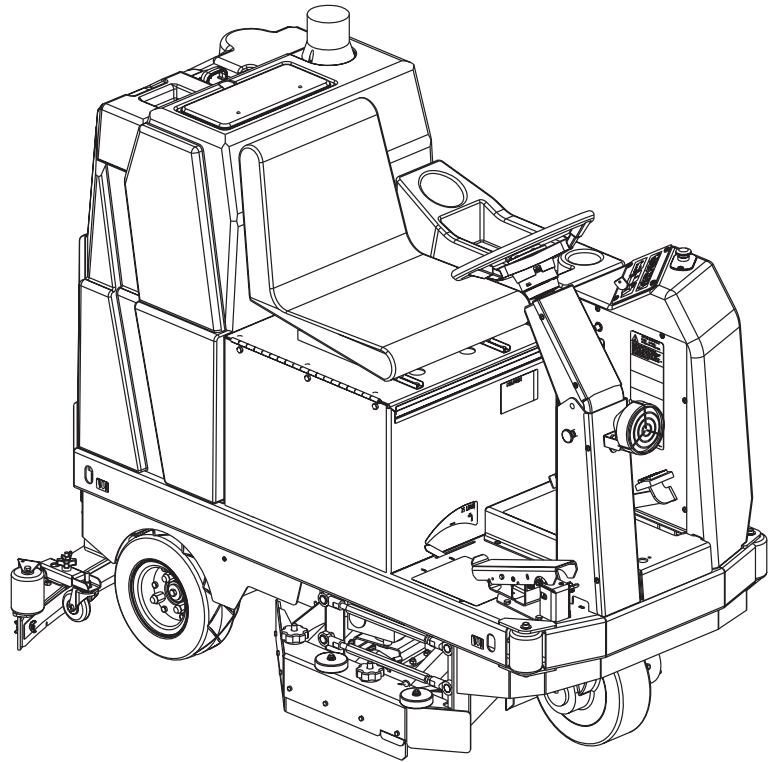


# Hydro-Retriever™ 3200

---

## BR 850, 850C, 850C-XL



### **PARTS LIST**

Advance MODELS 56407000(disc)  
56407480(32" cylindrical), 56407530 (38" cylindrical)  
Nilfisk MODELS 56407300(disc)  
56407481(32" cylindrical), 56407535 (38" cylindrical)  
All models covered in this manual are OBSOLETE



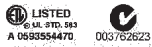
**Nilfisk**  
**Advance**

*setting standards*

4/98 revised 8/05 FORM NO. 56042340  
BOOK E SECTION 7.3.1

Model: 3200  
Part No.: 56407480  
36 V  
IPX3  
G V W: 1962lb / 890kg  
Type E Floor cleaning machine.

Serial No.: 1307569  
Code: F99  
70 A



UL LISTED  
UL STD. 563  
A 0593554470



003762623

190700



Nilfisk-Advance, Inc.  
Plymouth, MN, USA  
www.nilfisk-advance.com

**3200C  
56407480**

Model: 3200  
Part No.: 56407000  
36 V  
IPX3  
G V W: 1962lb / 890kg  
Type E Floor cleaning machine.

Serial No.: 1307569  
Code: F99  
85 A



UL LISTED  
UL STD. 563  
A 0593554470



003762623

190700



Nilfisk-Advance, Inc.  
Plymouth, MN, USA  
www.nilfisk-advance.com

**3200  
56407000**

Model: 3200 W/38C  
Part No.: 56407530  
36 V  
IPX3  
G V W: 1962lb / 890kg  
Type E Floor cleaning machine.

Serial No.: 1307569  
Code: F99  
70 A



UL LISTED  
UL STD. 563  
A 0593554470



003762623

190700



Nilfisk-Advance, Inc.  
Plymouth, MN, USA  
www.nilfisk-advance.com

**3200  
W/38C  
56407530**

Model: BR850  
Part No.: 56407481  
36 V  
IPX3  
G V W: 890kg / 1962lb

Serial No.: N1301904  
Code: E99  
70 A



003762623

190700



Nilfisk-Advance, Inc.  
Plymouth, MN, USA  
www.nilfisk-advance.com

**BR850C  
56407481**

Model: BR 850  
Part No.: 56407300  
36 V  
IPX3  
G V W: 890kg / 1962lb

Serial No.: N1307729  
Code: F99  
85 A



003762623

190700



Nilfisk-Advance, Inc.  
Plymouth, MN, USA  
www.nilfisk-advance.com

**BR850  
56407300**

Model: BR850C W/38  
Part No.: 56407535  
36 V  
IPX3  
G V W: 1962lb / 890kg  
Type E Floor cleaning machine.

Serial No.: 1307569  
Code: F99  
70 A



UL LISTED  
UL STD. 563  
A 0593554470



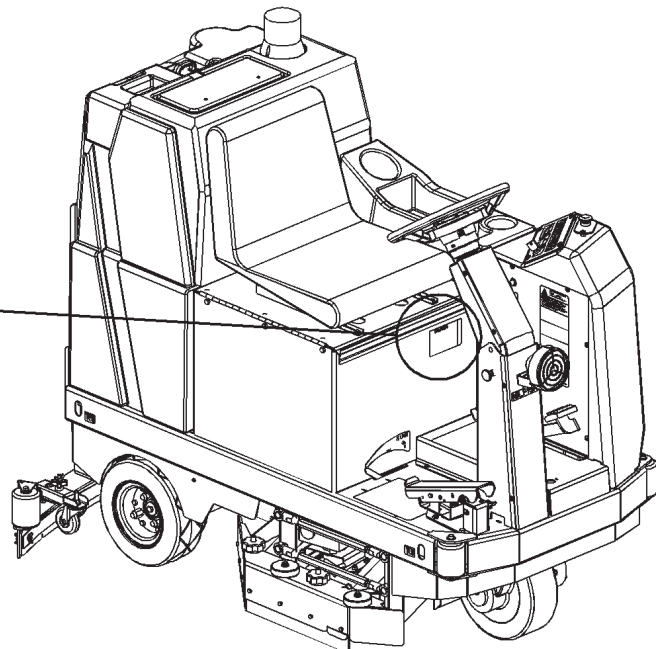
003762623

190700



Nilfisk-Advance, Inc.  
Plymouth, MN, USA  
www.nilfisk-advance.com

**BR850C-XL  
56407535**

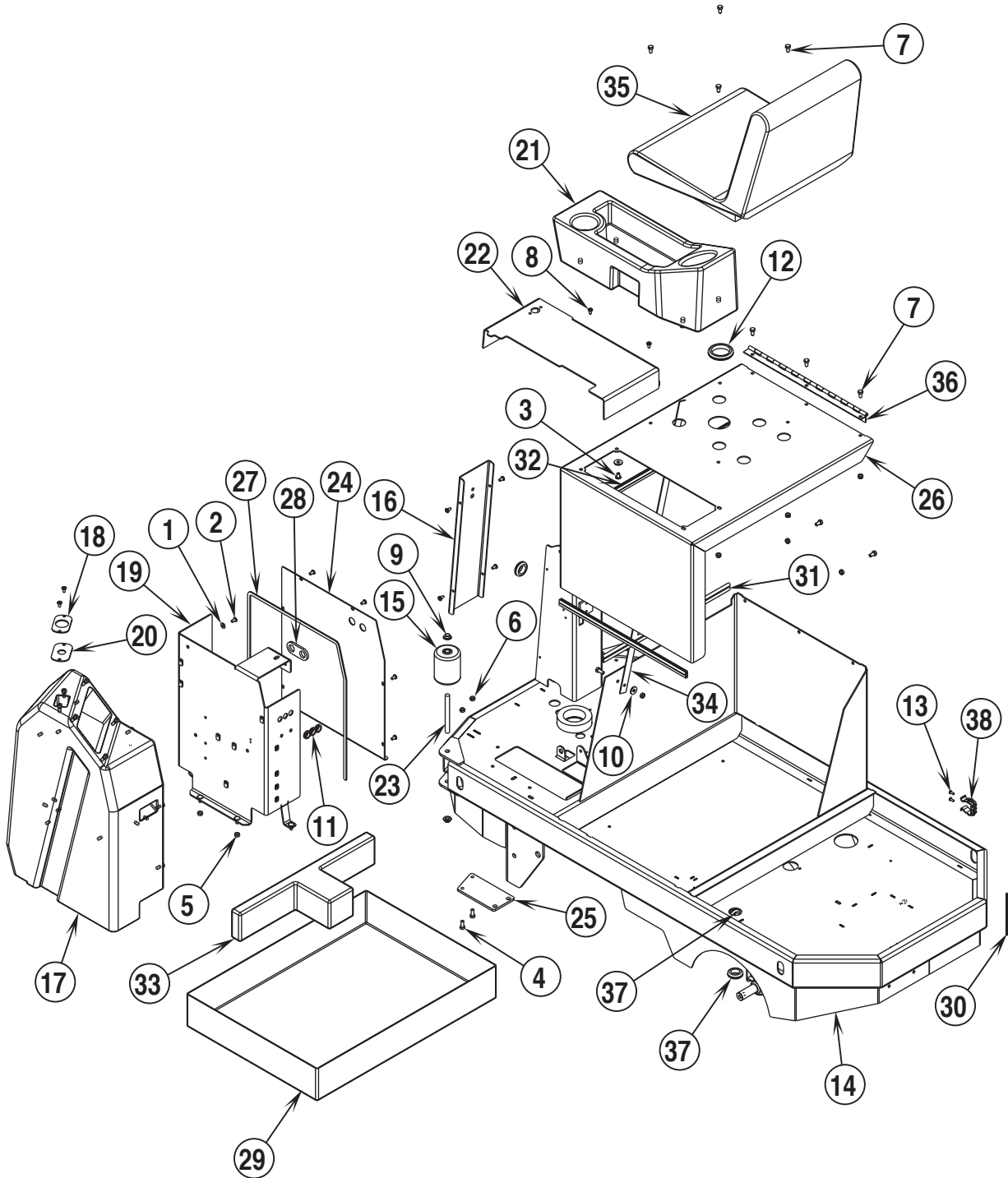


DESCRIPTION	PAGE
Chassis System .....	E-7.3.1-3
Control System .....	E-7.3.1-5
Steering / Front Wheel System .....	E-7.3.1-7
Decal System .....	E-7.3.1-9
Scrub System Lift (disc) .....	E-7.3.1-11
Scrub System Lift (cylindrical) .....	E-7.3.1-13
Scrub System Drive (disc) .....	E-7.3.1-15
Scrub System Drive (cylindrical) .....	E-7.3.1-17
Scrub Deck / Skirts (disc) .....	E-7.3.1-19
Scrub Deck / Skirts (cylindrical) .....	E-7.3.1-21
Solution System .....	E-7.3.1-23
Recovery System .....	E-7.3.1-25
Squeegee System .....	E-7.3.1-27
Squeegee Assembly .....	E-7.3.1-29
Rear Wheel System .....	E-7.3.1-31
Electrical System .....	E-7.3.1-33
Wiring Diagram (disc) .....	E-7.3.1-35
Wiring Diagram (cylindrical) .....	E-7.3.1-37
Brush Head Extension Kit (disc) .....	E-7.3.1-39
Vacuum Wand Caddy Kit .....	E-7.3.1-41
Beacon / Headlight / Backup Alarm Kits .....	E-7.3.1-43
Brush / Disc Selector Guide (Disc) .....	E-7.3.1-44
Brush Selector Guide (Cylindrical) .....	E-7.3.1-45

#### WHEN ORDERING PARTS

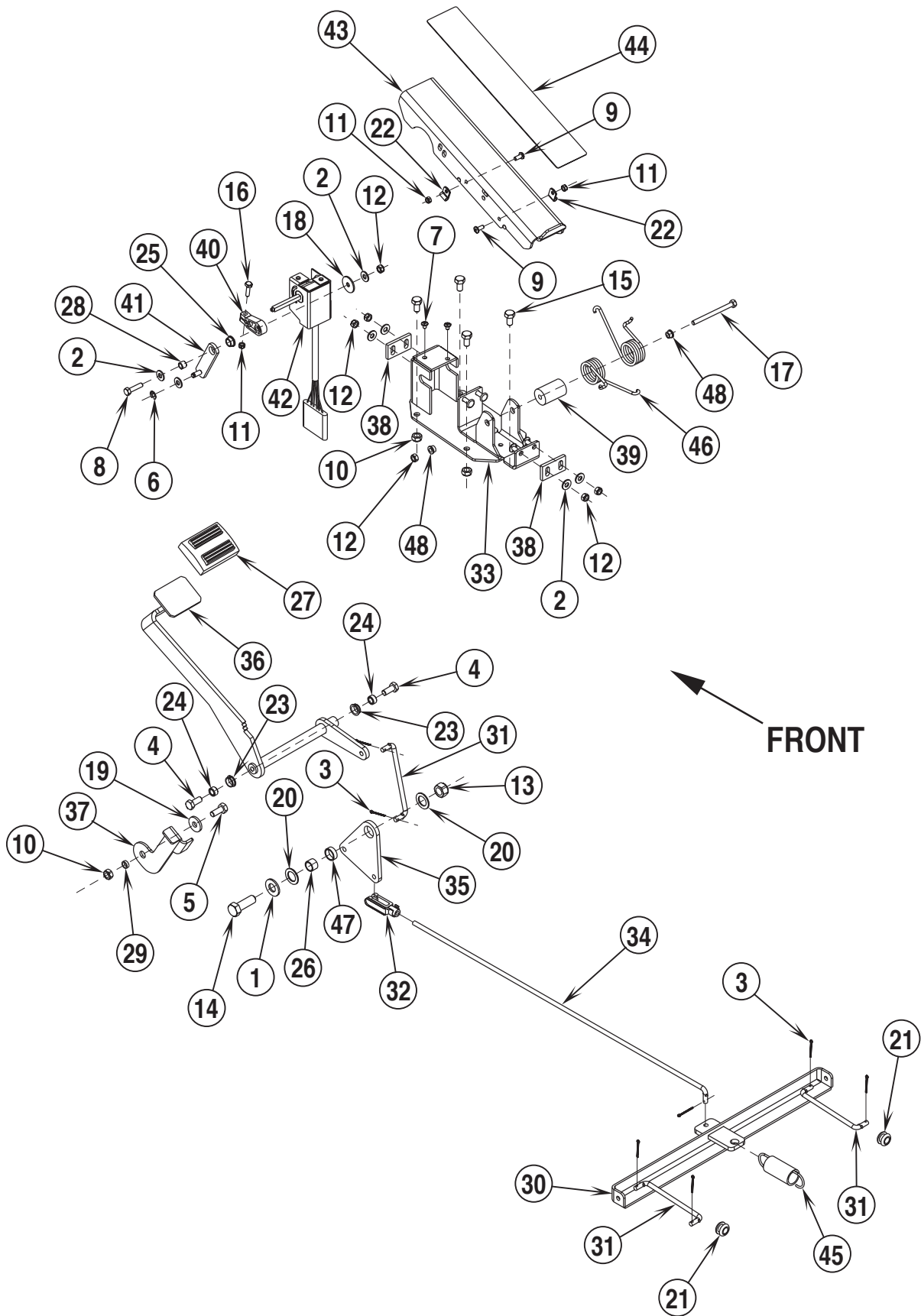
- \* Use the 8 digit numbers from the "Ref. No." columns in this parts list.
- \* Specify the model and serial number of the machine.
- \* Use the space below to record the model and serial number for future reference.

Model \_\_\_\_\_ Serial No. \_\_\_\_\_

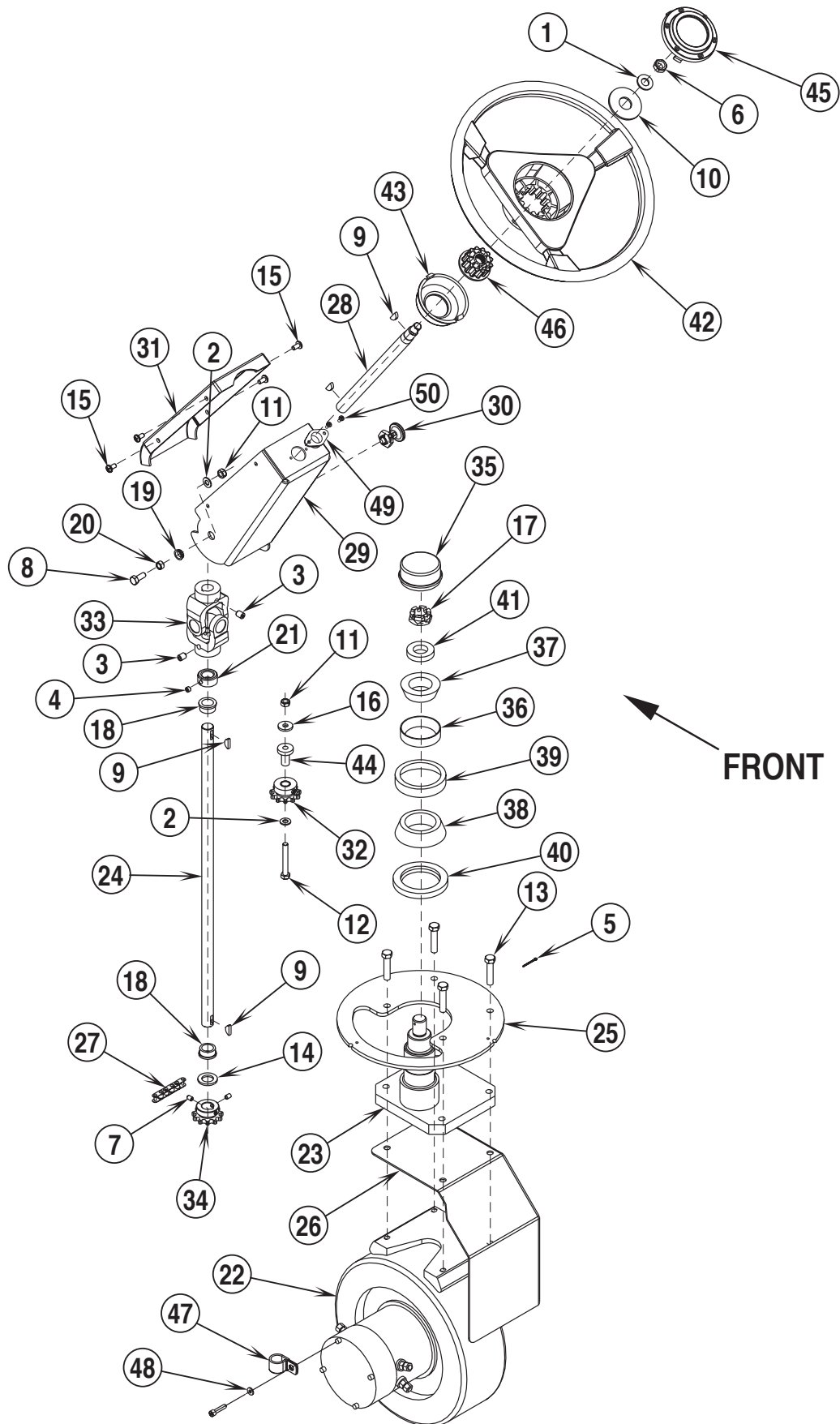


Item	Ref. No.	Qty	Description
1	56002098	7	Wsh, Flt SAE 1/4
2	56002145	15	Scr, Pan Phil 1/4-20 x .50
3	56002281	4	Scr, Pan Phil 5/16-18 x .50
4	56003179	3	Scr, Hex Thd To Hd M8-1.25 x 20mm
5	56003352	4	Nut, Hex M8-1.25
6	56003389	13	Nut, Hex Nyl Loc M8-1.25
7	56003178	10	Scr, Hex M8-1.25 x 16mm
8	56009062	6	Scr, Pan Phil Thd Form 1/4-20 x .50
9	56009097	4	Nut, Push Cap 1/2
10	56009122	2	Wsh, Flt .34 x .93 x .12
11	56157376	3	Grommet
12	56262531	1	Grommet
13	56009029	2	Scr, Pan Phil Thd Form 10-24 x .50
14	56407001	1	Chassis Weld't.
15	56407006	2	Wheel, Roller
16	56407070	1	Cover, Lower Column
17	56407087	1	Control Box
18	56407098	1	Gasket
19	56407100	1	Panel, Electrical
20	56407104	1	Mount, Disconnect
21	56407132	1	Cup Holder
22	56407143	1	Plate, Floor
23	56407145	2	Rod, Pivot
24	56407156	1	Cover, Panel
25	56407157	1	Plate, Spring Mount
26	56407161	1	Cover, Battery
27	56407169	1	Gasket
28	56407193	1	Gasket
29	56407271	1	Tray, Battery
30	56407280	1	Trim, Edge
31	56407284	21"	Gasket (53.34cm)
32	56407285	28"	Gasket (71.12cm)
33	56407358	1	Battery Spacer
34	56407374	1	Strap
35	56420011	1	Seat
**	56420143	1	Armrest Kit
**	56419369	1	Seat Belt Kit
36	56420103	1	Hinge
37	56486116	3	Grommet
38	56407361	1	Clamp, Plastic
<b>Optional Accessories and Kits</b>			
**	56407321	A/R	Wheel Assembly, Scrubber
**	56407235	A/R	Backup Alarm Kit (see associated pages)
**	56407236	A/R	Headlight Kit (see associated pages)
**	56407237	A/R	Beacon Kit (see associated pages)
**	56407242	A/R	Vacuum Wand Caddy Kit (see associated pages)
**	56407283	A/R	Brush Head Extension Kit (disc models / see associated pages)
**	56407316	A/R	Neoprene Scrub Deck Blade Kit (disc models before SN1543842)
**	56407360	A/R	Standard Scrub Deck Blade Kit (disc models before SN1543842)
**	56407520	A/R	Standard Scrub Deck Blade Kit (disc models after SN1543841)
**	56407602	A/R	Neoprene Squeegee Blade Kit
**	56407589	A/R	Standard Squeegee Blade Kit
**	56407601	A/R	Linatex Squeegee Blade Kit
**	56420143	A/R	Armrest Kit
**	56419369	A/R	Seat Belt Kit

\*\* = Optional



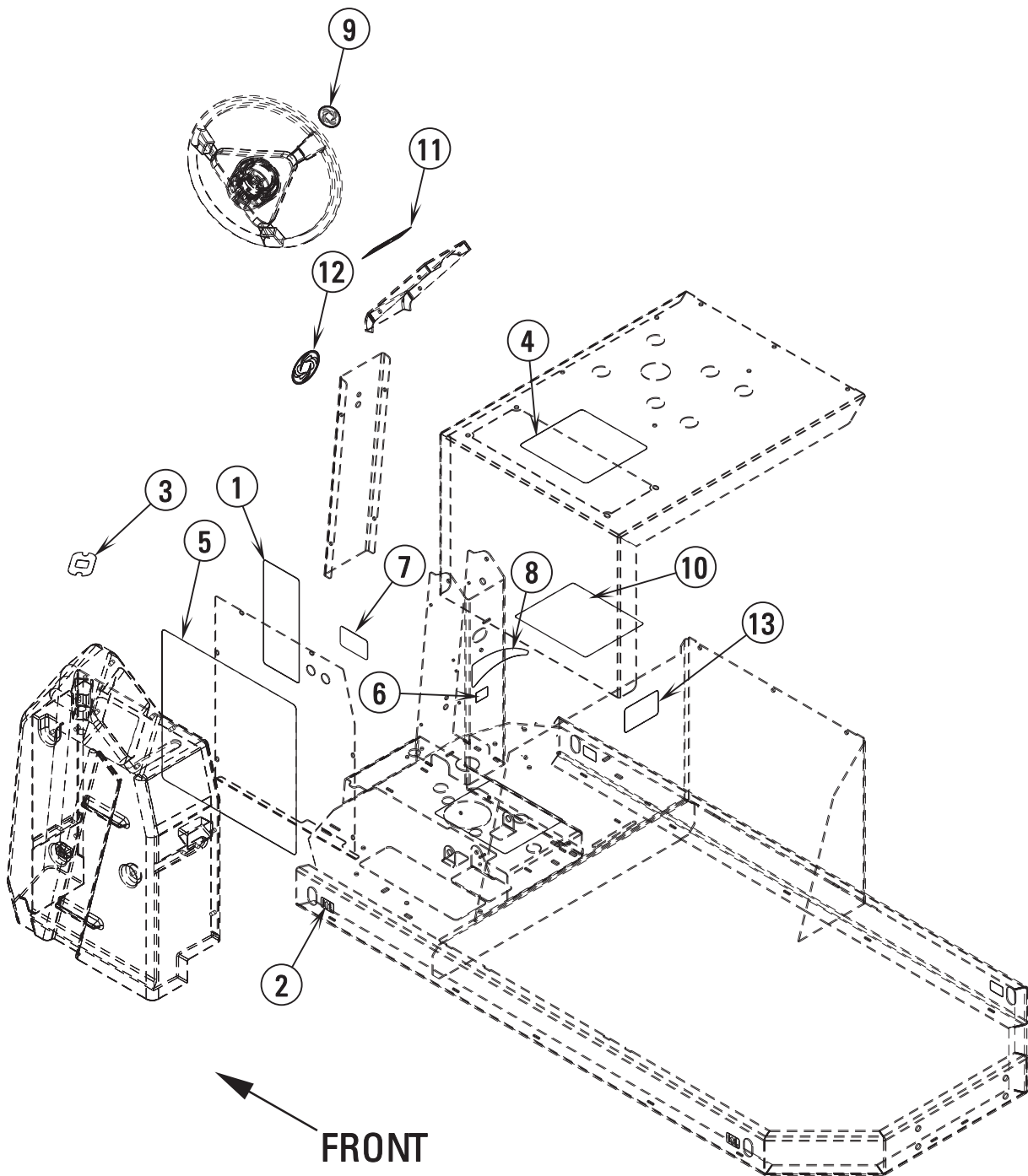
Item	Ref. No.	Qty	Description
1	56001879	1	Wsh, Flt SAE 1/2
2	56002098	7	Wsh, Flt SAE 1/4
3	56002166	7	Pin, Cotter 3/32 x 3/4
4	56002956	2	Scr, Hex Hd Loc 5/16-18 x .75
5	56003179	1	Scr, Hex Thd To Hd M8-1.25 x 20mm
6	56003268	1	Ring, Ret Ext Type E Reinf. .25 Dia.
7	56003479	2	Scr, Pan Phil M5 x 0.8 x 6mm
8	56003358	1	Scr, Hex M6-1.0 x 25mm
9	56003377	2	Scr, Pan Phil M5 x 12mm
10	56003389	5	Nut, Hex Nyl Loc M8 - 1.25
11	56003402	3	Nut, Hex Nyl Loc M5 - .80
12	56003403	6	Nut, Hex Nyl Loc M6 - 1.00
13	56003407	1	Nut, Hex Nyl Loc M12 - 1.75
14	56003415	1	Scr, Hex M12 - 1.75 x 35mm
15	56003423	4	Scr, Hex M8 - 1.25 x 15mm
16	56003427	1	Scr, Hex M5 - .80 x 20mm
17	56003428	1	Scr, Hex M6 - 1.00 x 75mm
18	56009060	1	Wsh, Flt SS .26 x 1.00 x .07
19	56009122	1	Wsh, Flt .34 x .93 x .12
20	56151858	2	Bearing, Thrust
21	56168744	2	Grommet
22	56220507	2	Clamp, P
23	56302164	2	Bearing, Flange
24	56320595	2	Bushing, .32 x .50 x .28
25	56324505	1	Bearing, Flange
26	56360627	1	Bushing
27	56365002	1	Pad, Rubber
28	56368989	1	Bushing
29	56381818	1	Bushing, .32 x .44 x .15
30	56407091	1	Arm Weld't.
31	56407095	3	Link, Brake
32	56407133	1	Yoke, Clevis
33	56407142	1	Pedal Mount Weld't.
34	56407144	1	Rod, Brake
35	56407146	1	Bellcrank
36	56407150	1	Brake Pedal Weld't.
37	56407173	1	Latch, Park Brake
38	56409377	2	Plate, Slide
39	56409378	1	Spacer, Nylon
40	56409471	1	Lever, Throttle
41	56409610	1	Link Weld't.
42	56416169	1	Throttle, Electronic
43	56420108	1	Throttle Pedal Weld't.
44	56449958	1	Mat, Pedal
45	56467404	1	Spring, Extension
46	56468243	2	Spring, Idler
47	56478781	1	Bearing, Sleeve
48	56756318	2	Bearing, Flange



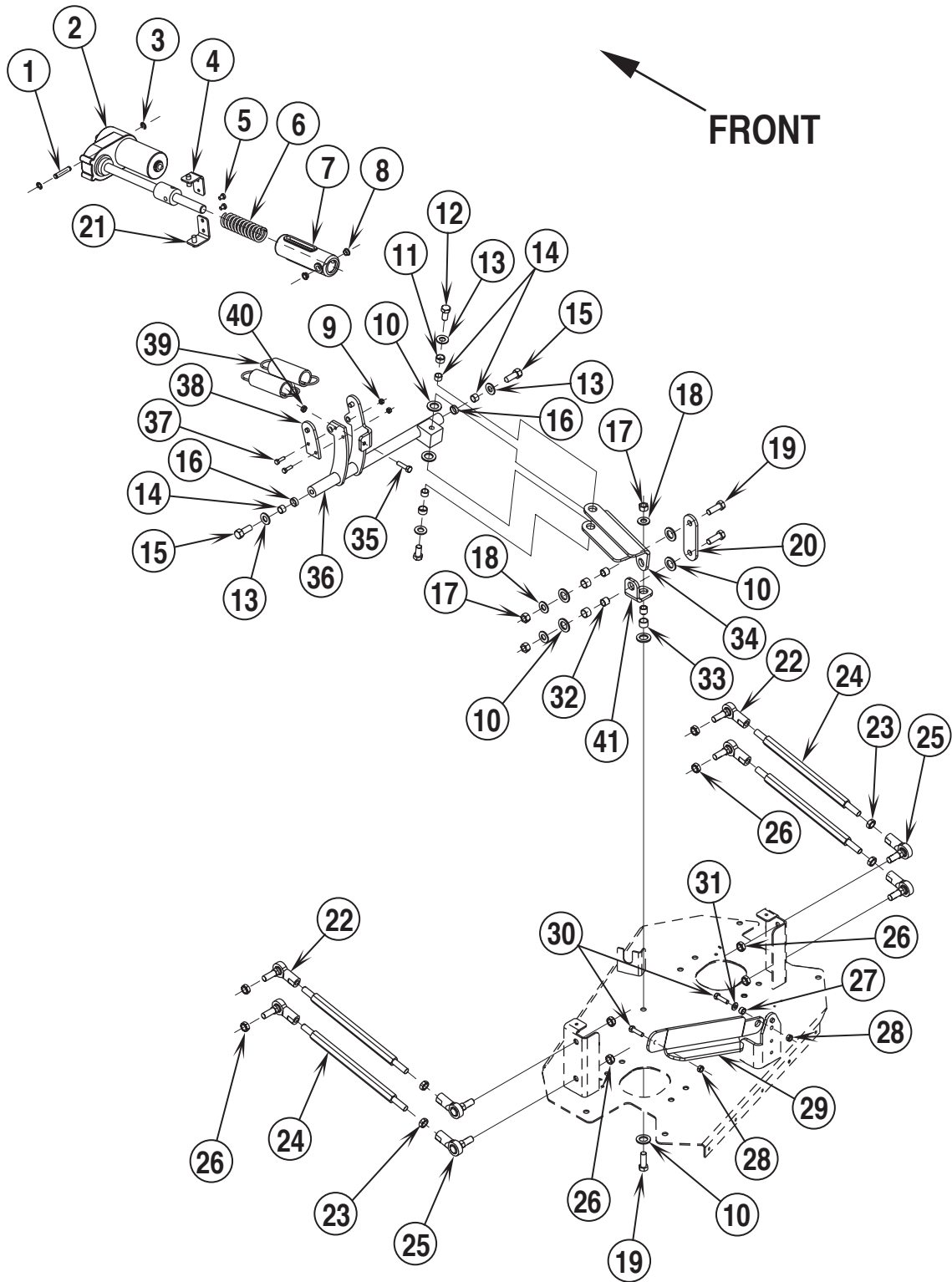


Item	Ref. No.	Qty	Description
1	56001879	1	Wsh, Flt SAE 1/2
2	56001939	3	Wsh, Flt SAE 5/16
3	56001958	2	Scr, Soc Set Loc 3/8-16 x .50
4	56002086	1	Scr, Soc Set Loc 5/16-18 x .25
5	56002181	1	Pin, Cotter, 1/8 x 1.50
6	56002843	1	Nut, Hex Nyl Loc-Thin 1/2-13
7	56002930	2	Scr, Soc Set Loc 1/4-20 x .38
8	56003179	2	Scr, Hex Thd To Hd M8-1.25 x 20mm
9	56003228	4	Key, Wdf .75 x .19
10	56003342	1	Wsh, Flt .88 x 2.25 x .13
11	56003389	3	Nut, Hex Nyl Loc M8-1.25
12	56003398	1	Scr, Hex M8-1.25 x 60mm
13	56003445	4	Scr, Hex Nyl Loc M10-1.50 x 45mm
14	56009022	1	Wsh, Flt .75 x 1.25 x .12
15	56009062	4	Scr, Pan Phil Thd Form 1/4-20 x .50
16	56009122	1	Wsh, Flt .34 x .93 x .12
17	56110817	1	Nut, Castle 7/8-14
18	56250414	2	Bearing, Flange
19	56302164	2	Bearing, Flange
20	56320595	2	Bushing, .32 x .50 x .28
21	56367095	1	Collar, Shaft
22	56407010	1	Motor / Wheel Assembly
*	56407377	1	Oil Seal
*	56407378	1	Motor
*	56407379	1	Carbon Brush Set
*	56407380	1	Seal Kit
*	56407488	1	Wheel, Drive
23	56407013	1	Spindle Weld't.
24	56407067	1	Shaft, Lower Steering
25	56407075	1	Plate, Steering
26	56407129	1	Splash Guard
27	56407205	1	Chain, Roller
28	56420059	1	Shaft, Upper Steering
29	56420061	1	Column, Steering
30	56420062	1	Latch
31	56420063	1	Cover, Upper Column
32	56454079	1	Sprocket Assembly
*	56454078	1	Sprocket
*	56366633	2	Bearing
*	56101737	1	Fitting, Lube
33	56454081	1	Universal Joint
34	56471148	1	Sprocket
35	56483135	1	Cap, Grease
36	56492697	1	Bearing, Cup
37	56492699	1	Bearing, Cone
38	56492700	1	Bearing, Cone
39	56492702	1	Bearing, Cup
40	56493191	1	Seal, Radial Lip
41	56497241	1	Bushing
42	56497306	1	Steering Wheel
43	56497308	1	Cup
44	56497311	1	Bushing, Flanged
45	56497543	1	Cap
46	56497560	1	Wheel Adapter
47	56496276	1	Clamp, Hose Support
48	56001954	1	Wsh, Flt SAE #10
49	56100393	1	Bushing <b>TSB 727</b>
50	56009051	2	Scr, Pan Phil Thd Form 8-32 x .38 <b>TSB 727</b>

\* = Not Shown

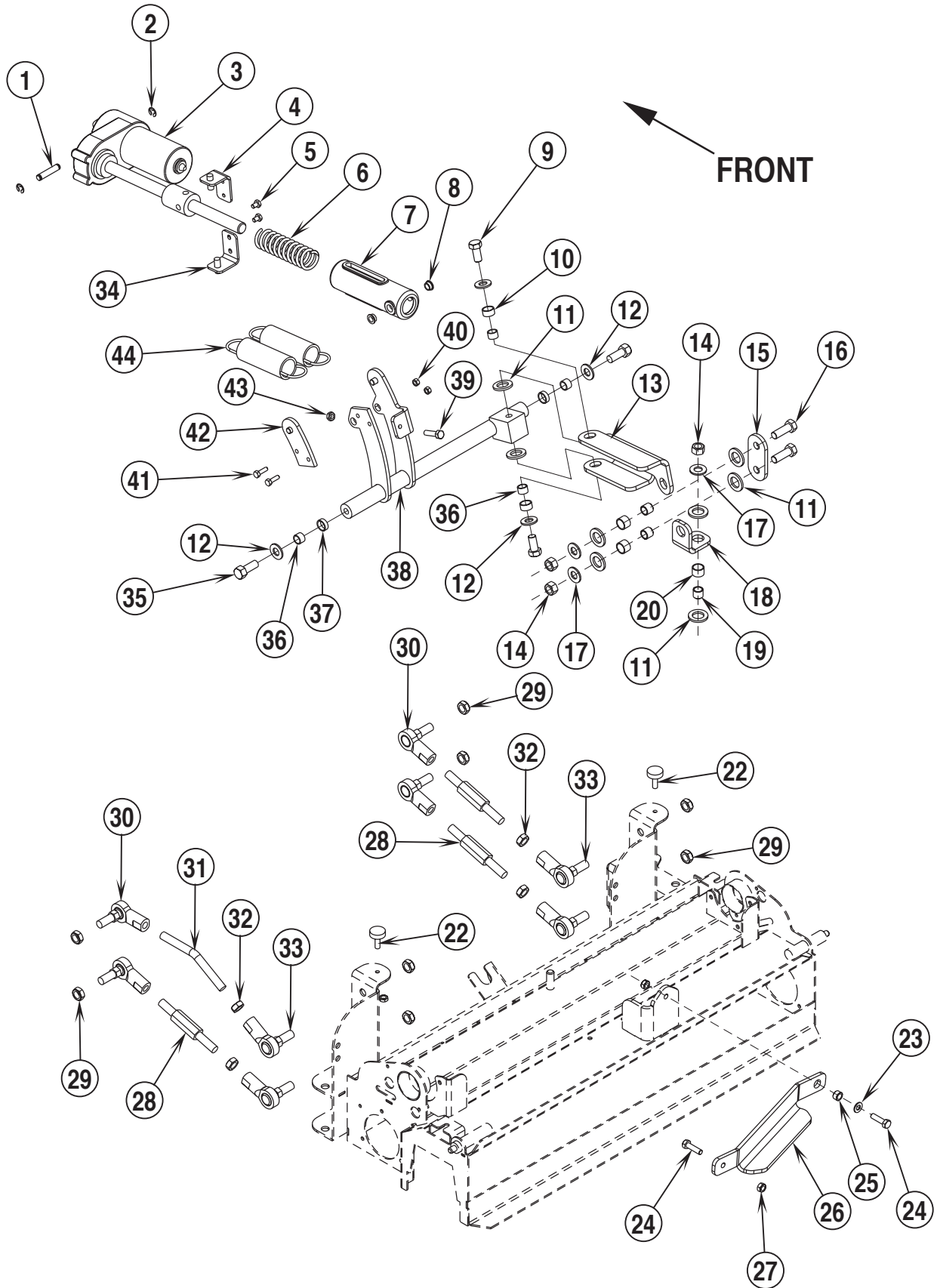


Item	Ref. No.	Qty	Description
1	56014601	1	Decal, Caution
2	56015370	4	Decal, Tie Down
3	56016146	1	Decal, Emergency Disconnect
4	56016165	1	Decal, Battery Wiring
5	56016205	1	Schematic, Electrical ( <b>disc models</b> )
	56016246	1	Schematic, Electrical ( <b>cylindrical models</b> )
6	56016324	1	Decal, Charger
7	56016341	1	Decal, Circuit Breaker
8	56016342	1	Decal, Flow Rate
9	56016421	1	Decal, Logo 2 Inch
10	56420057	2	Grip Surface
11	56016625	1	Decal, HR3200
	56016624	1	Decal, BR850
12	56016348	1	Decal, Logo
13	56016204	1	Decal, Wear Items (3200)



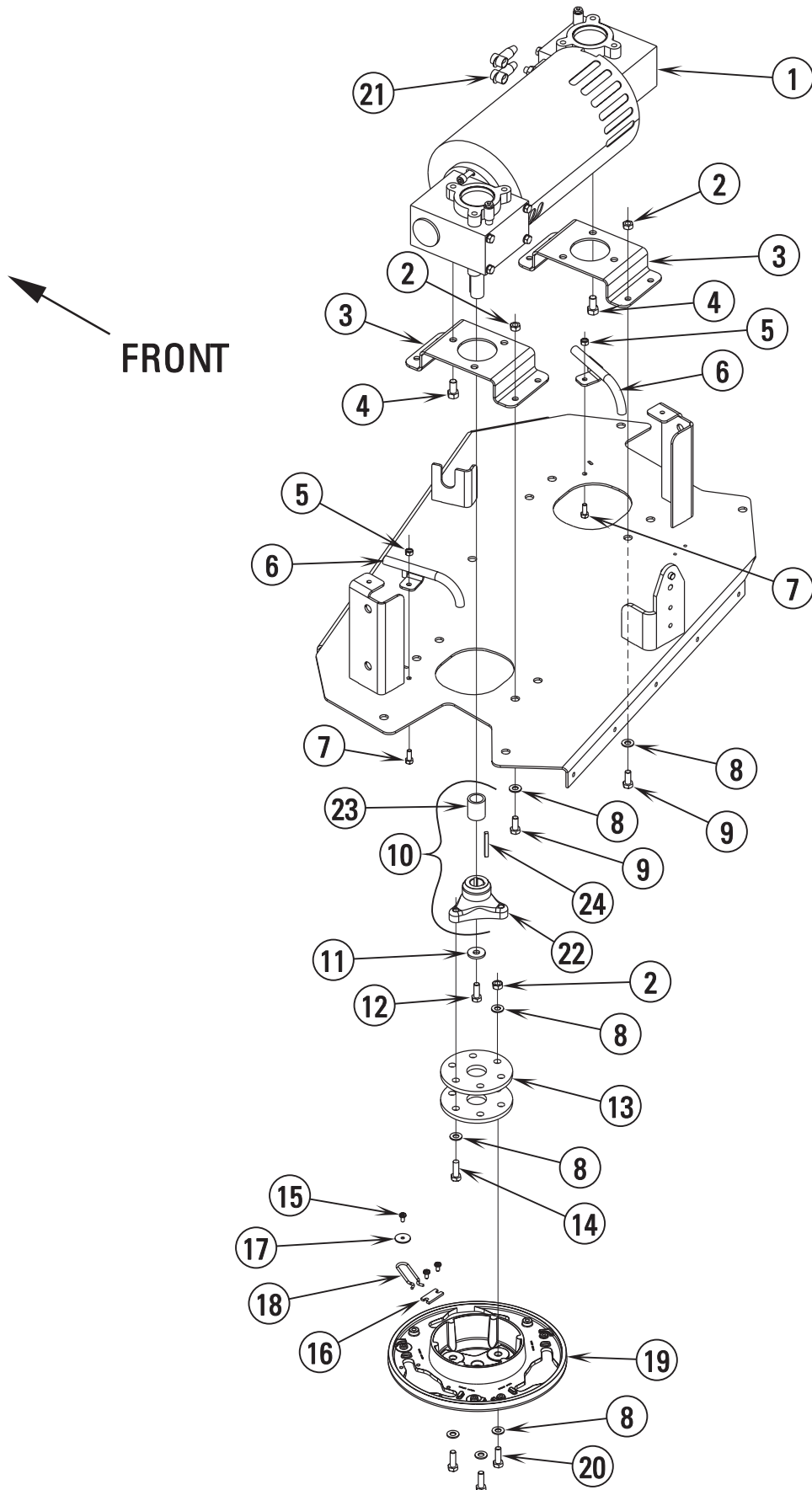
Item	Ref. No.	Qty	Description
1	56104760	1	Pin
2	56391627	1	Lift Actuator ( <b>Brush</b> )
*	56388520	1	Replacement Plastic Nut
*	56470431	1	Carbon Brush Set
3	56003262	2	Ring, Ret. Ext. Type E .38 Dia.
4	56420020	1	Nut Retainer
5	56009019	2	Scr, Hex Thd Form 1/4-20 x .38
6	56407199	1	Compression Spring
7	56407106	1	Spring Housing, Actuator
8	56324505	2	Bearing, Flange
9	56003426	2	Nut, Hex Nyl Loc SS M6-1.00
10	56367184	8	Thrust Bearing
11	56370878	2	Bearing, Sleeve
12	56003020	2	Scr, Hex Hd M12-1.25 x 25mm
13	56001879	4	Wsh, Flt SAE 1/2
14	56360627	4	Bushing
15	56003478	2	Scr, Hex Nyl Loc M12-1.75 x 30mm
16	56478781	2	Bearing, Sleeve
17	56003450	3	Nut, Hex Nyl Loc SS M12-1.75
18	56002918	3	Wsh, Flt SAE SS 1/2
19	56003453	3	Scr, Hex Hd SS M12-1.75 x 35mm
20	56407111	1	Vertical Lift Bar, Deck
21	56420019	1	Nut Retainer
22	56409405	4	Ball Joint
23	56009089	4	Nut, Hex Jam 1/2-20
24	56407049	4	Connecting Rod
25	56477813	4	Ball Joint
26	56002868	8	Nut, Hex Nyl Loc-Thin 1/2-20
27	56232181	1	Bushing
28	56003389	2	Nut, Hex Nyl Loc M8-1.25
29	56407206	1	Arm
30	56003416	2	Scr, Hex Hd M8-1.25 x 30mm
31	56001939	1	Wsh, Flt SAE 5/16
32	56367206	3	Bushing
33	56367168	3	Bearing, Sleeve
34	56407036	1	Lift Arm, Scrub Deck
35	56002187	1	Scr, Hex Thd To Hd 5/16-18 x 1.25
36	56407040	1	Pivot Arm Weld't.
37	56003443	2	Scr, Hex Hd SS M6-1.00 x 20mm
38	56407048	1	Actuator Plate Weld't.
39	56376880	2	Spring, Extension
40	56009086	1	Nut, Hex Jam 5/16-18
41	56407112	1	Swivel Bracket, Deck

\* = Not Shown



Item	Ref. No.	Qty	Description
1	56104760	1	Pin
2	56003262	2	Ring, Ret Ext Type E .38 Dia
3	56391627	1	Actuator Motor
*	56388520	1	Replacement Plastic Nut
*	56470431	1	Carbon Brush Set
4	56420020	1	Nut Retainer
5	56009019	2	Scr, Hex Thd Form 1/4-20 x .38
6	56407199	1	Compression Spring
7	56407106	1	Spring Housing, Actuator
8	56324505	2	Bearing, Flange
9	56003020	2	Scr, Hex M12-1.25 x 25mm
10	56370878	2	Bearing, Sleeve
11	56367184	8	Thrust Bearing
12	56001879	4	Wsh, Flt SAE 1/2
13	56407036	1	Lift Arm, Scrub Deck
14	56003450	3	Nut, Hex Nyl Loc SS M12-1.75
15	56407407	1	Vertical Lift Bar, Deck
16	56003453	2	Scr, Hex Hd SS M12-1.75 x 35mm
17	56002918	3	Wsh, Flt SAE SS 1/2
18	56407112	1	Swivel Bracket, Deck
19	56367206	3	Bushing
20	56367168	3	Bearing, Sleeve
22	56401783	2	Leveler, One Inch
23	56001939	1	Wsh, Flt SAE 5/16
24	56003416	2	Scr, Hex M8-1.25 x 30mm
25	56232181	1	Bushing
26	56407371	1	Arm
27	56003389	2	Nut, Hex Nyl Loc M8-1.25
28	56407369	3	Conneccting Rod
29	56002868	8	Nut, Hex Nyl Loc-Thin 1/2-20
30	56409405	4	Ball Joint
31	56407372	1	Rod
32	56009089	4	Nut, Hex Jam 1/2-20
33	56477813	4	Ball Joint
34	56420019	1	Nut Retainer
35	56003478	2	Scr, Hex Nyl Loc M12-1.75 x 30mm
36	56360627	4	Bushing
37	56478781	2	Bearing, Sleeve
38	56407040	1	Pivot Arm Weldment
39	56002187	1	Scr, Hex Thd To Hd 5/16-18 x 1.25
40	56003426	2	Nut, Hex Nyl Loc SS M6-1.00
41	56003443	2	Scr, Hex Hd SS M6-1.00 x 20mm
42	56407048	1	Actuator Plate Weldment
43	56009086	3	Nut, Hex Jam 5/16-18
44	56376880	2	Spring, Extension

\* = Not Shown



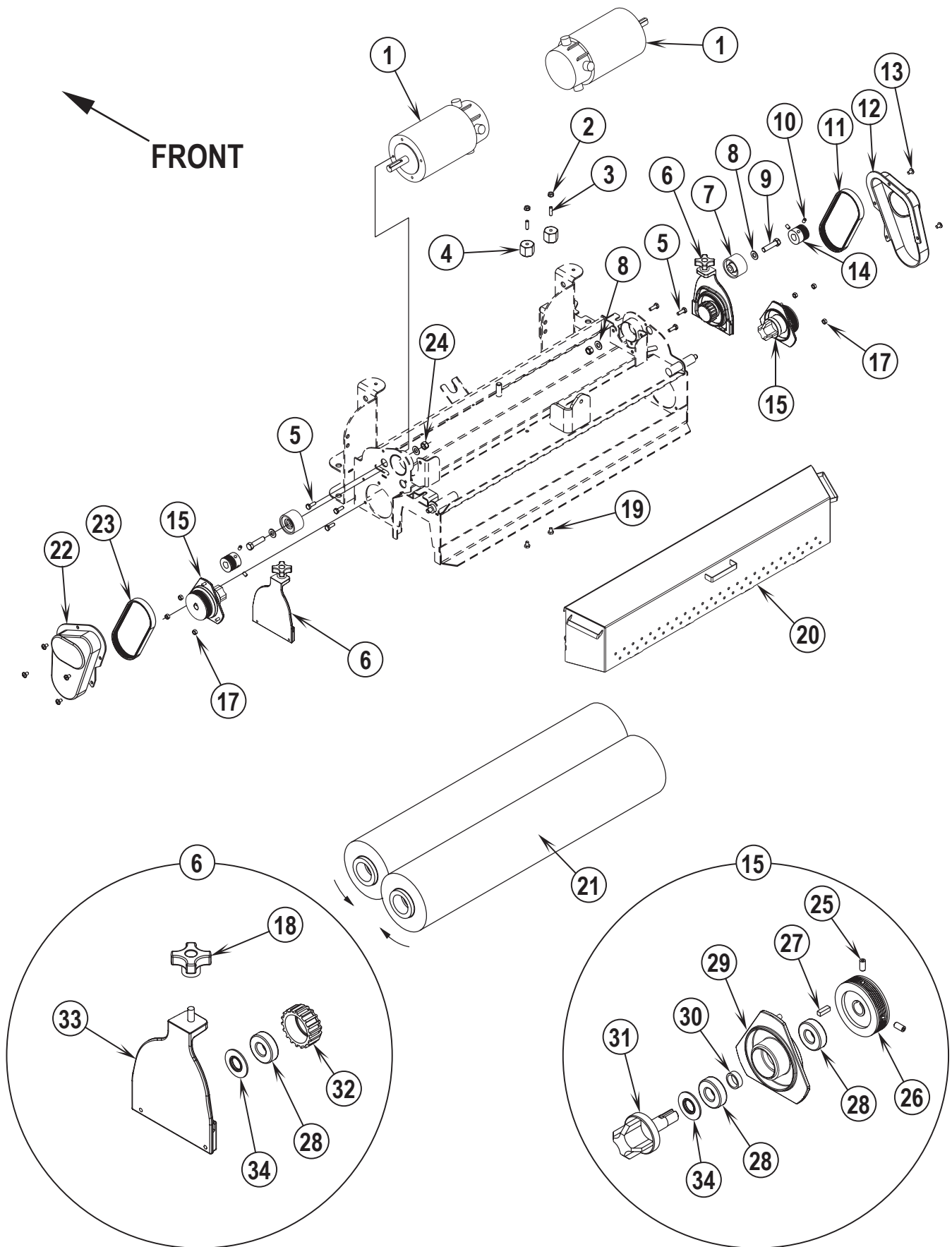


Item	Ref. No.	Qty	Description
1	56407197	1	Gearbox Assembly <b>TSBUS2002-831</b>
*	56407196	2	Gearbox
*	56407192	1	Motor ( <b>Brush</b> )
*	56407498	1	Brush Board Assy
*	56389395	1	Brush Spring Kit
*	56407500	1	Brush Assembly Kit
2	56003405	14	Nut, Hex Nyl Loc SS M8-1.25
3	56407198	2	Mount Bracket
4	56002885	6	Scr, Hex Hd SS 3/8-16 x .75 <b>NOTE</b>
5	56003426	2	Nut, Hex Nyl Loc SS M6-1.00
6	56407055	2	Tube Weld't.
7	56003431	2	Scr, Hex Hd SS M6-1.00 x 16mm
8	56002938	26	Wsh, Flt SAE SS 5/16
9	56003435	8	Scr, Hex Hd SS M8-1.25 x 20mm
10	56314156	2	Kit, Hub Replacement ( <b>items 22-24</b> )
11	56009107	2	Wsh, Flt SS .37 x 1.00 x .12
12	56003335	2	Scr, Hex Hd Loc SS 5/16-18 x .88
13	56407053	4	Thermoid Disk
14	56003477	6	Scr, Hex Hd Loc M8-1.25 x 25mm
15	56009030	6	Scr, Pan Phil Thd Form 10-24 x .38
16	56366455	2	Plate, Stop
17	56009096	2	Wsh, Flt .19 x .87 x .06
18	56366463	2	Spring Retainer
19	56314030	2	Brush Holder
20	56003436	6	Scr, Hex Hd SS M8-1.25 x 25mm
21	56409538	2	Insulator, Terminal
22	56314108	2	Hub, Drive
23	56314109	2	Spacer
24	56003670	2	Key, Sq .19 x 1.62
**	56505780	2	Short Trim Pad Holder
**	56505781	2	Magna Grit 46 Brush
**	56505782	2	Dyna Grit 80 Brush
**	56505783	2	AgLite 500 Brush
**	56505784	2	Prolene Brush
**	56505785	2	ProLite Brush
**	56505786	2	Union Mix Brush
**	56505787	2	MidGrit 240 Brush
**	56505788	2	MidLite Grit 180 Brush

\* = Not Shown

\*\* = Optional

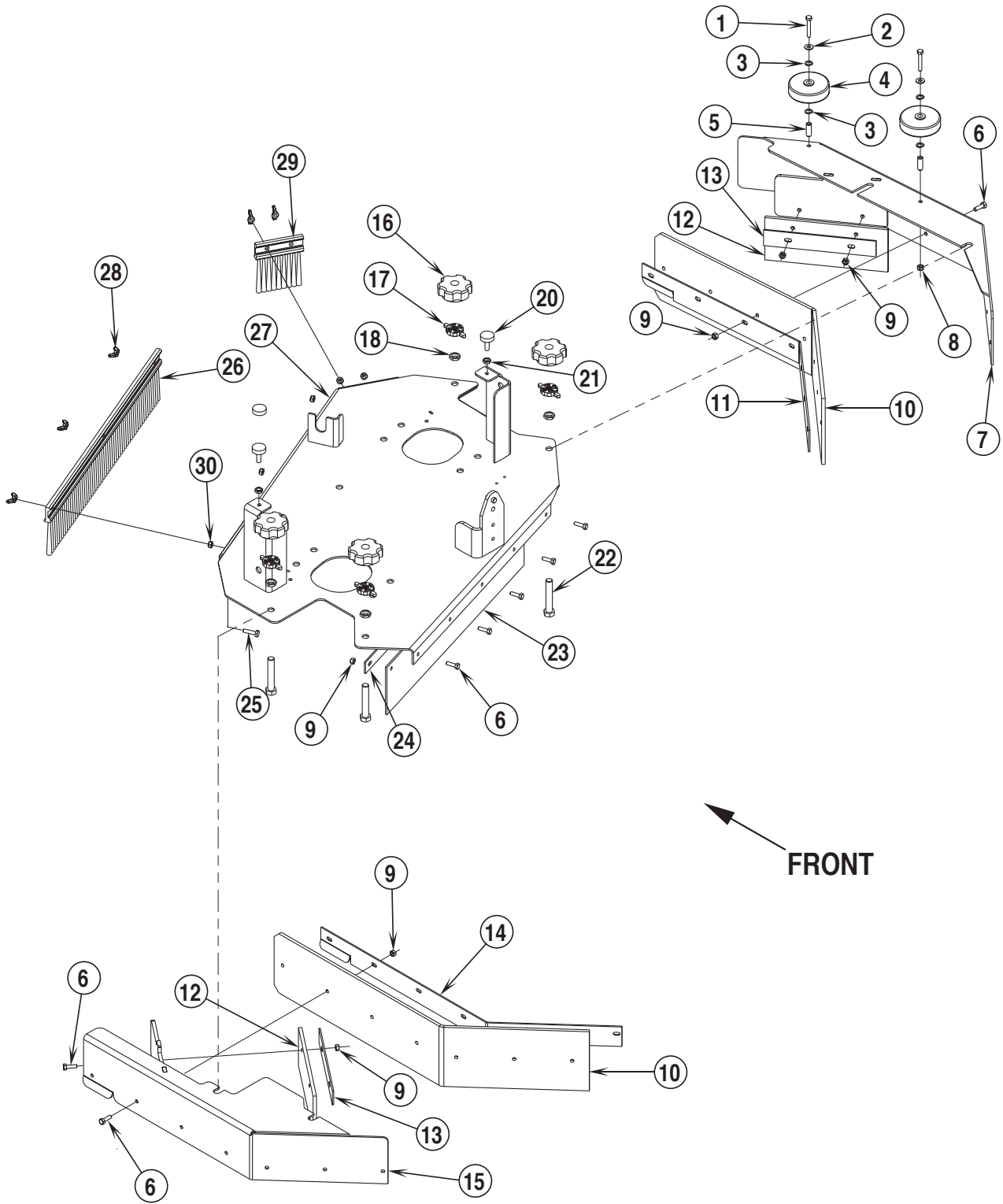
**NOTE:** Apply Loctite #242 prior to assembly.



98-4	<b>SCRUB SYSTEM DRIVE (CYLINDRICAL)</b>	<b>BOOK E</b>		
05-8	<b>Hydro-Retriever™ 3200, 3200C / BR 850, 850C, 850C-XL</b>	<b>E</b>	<b>7.3.1</b>	<b>17</b>

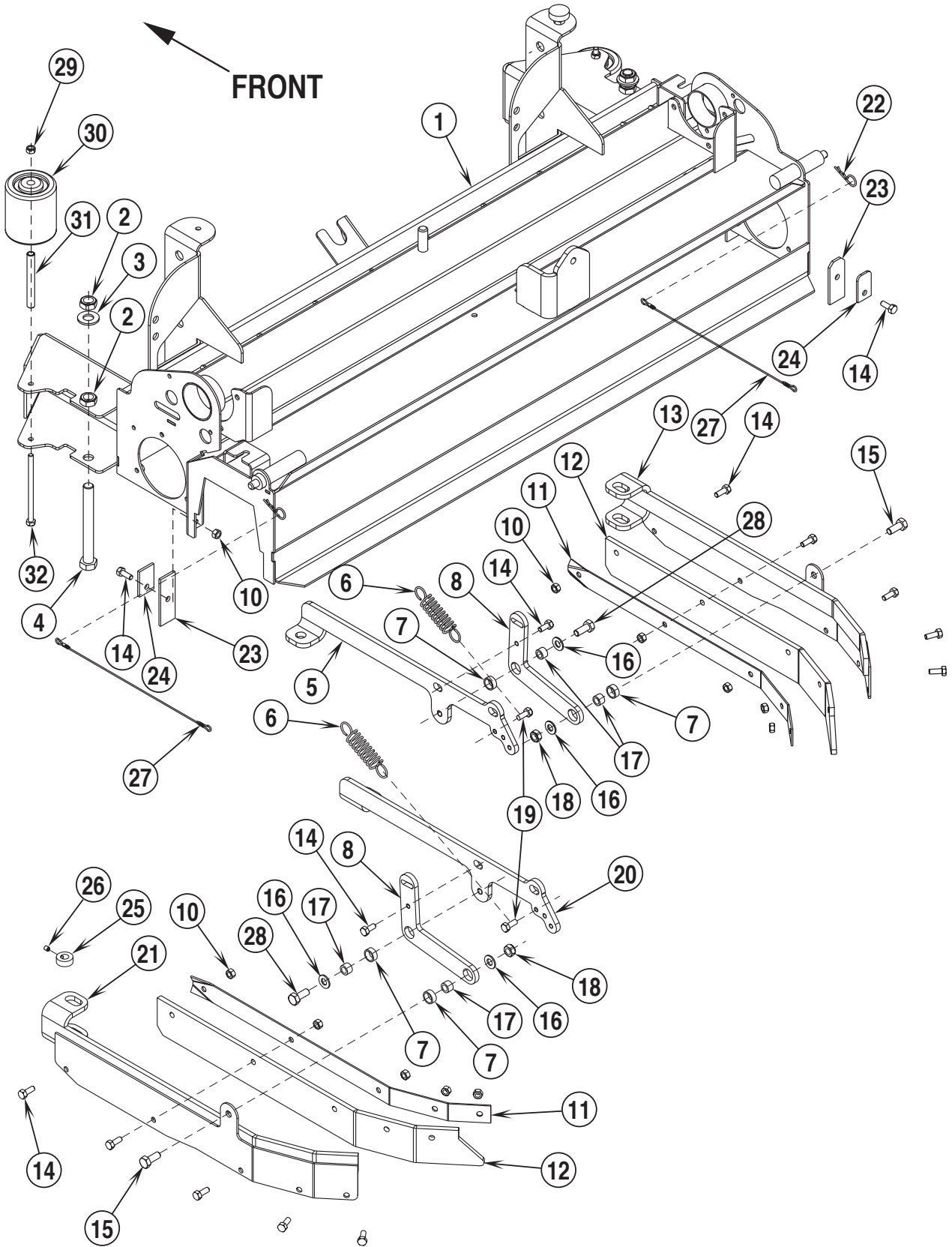
Item	Ref. No.	Qty	Description
1	56407431	2	Motor, 36VDC, .75 HP <b>TSB 789</b>
	56417489	1	Armature
	56407490	1	Bearing (2 required per motor)
	56407492	1	Brush Cap Assembly <b>TSB 789</b>
	56407493	4	Brush Assembly
	56407494	4	Brush Cover Cap <b>TSB 789</b>
2	56002561	2	Nut, Hex W/Shprf 1/4-20
3	56009020	2	Stud
4	56469858	2	Standoff, Insulated
5	56002948	6	Scr, Hex Hd Loc 1/4-20 x .75
6	56407554	2	Idler End Assembly <b>(#18, 28, 32-34) (TSBUS2002-821)</b>
7	56407432	2	Idler, Belt
8	56002063	4	Wsh, Flt SAE 3/8
9	56003491	2	Scr, Hex M10-1.50 x 40mm
10	56002086	4	Scr, Soc Set Loc 5/16-18 x .25
11	56407466	1	Belt, Poly-V 190J6
12	56407434	1	Guard, Right Belt
13	56003603	8	Scr, Pan Phil Thd Form 1/4-20 x .38
14	56407433	2	Sheave, Poly-V
15	56407559	2	Drive End Assembly <b>(#25-31 &amp; 34) (TSBUS2002-821)</b>
16			<b>Intentionally Omitted</b>
17	56003426	6	Nut, Hex Nyl Loc SS M6-1.00
18	56407303	2	Knob <b>(TSBUS2002-821)</b>
19	56001861	2	Scr, Hex Hd 1/4-20 x .38
20	56407430	1	Hopper Weldment, 32"
	56410274	1	Hopper Weldment, 38"
21	56407475	2	Brush, Polypropylene 32" (Standard)
**	56407473	2	Brush, Soft Nylon 32"
**	56407474	2	Brush, Hard Nylon 32"
**	56407476	2	Brush, 180 Grit 32"
**	56407477	2	Brush, 80 Grit 32"
**	56407478	2	Brush, 46 Grit 32"
	56410293	2	Brush, Polypropylene 38" (Standard)
**	56410294	2	Brush, Soft Nylon 38"
**	56410295	2	Brush, Hard Nylon 38"
**	56410296	2	Brush, 180 Grit 38"
**	56410297	2	Brush, 80 Grit 38"
**	56410298	2	Brush, 46 Grit 38"
22	56407435	1	Guard, Left Belt
23	56407465	1	Belt, Poly-V 180J6
24	56003406	2	Nut, Hex Nyl Loc M10-1.50
25	56002119	4	Scr, Soc Set Loc 1/4-20 x .50 <b>(TSBUS2002-821)</b>
26	56407442	2	Sheave, Poly-V <b>(TSBUS2002-821)</b>
27	56003237	2	Key, Sq .19 x .62 <b>(TSBUS2002-821)</b>
28	56106070	6	Bearing, Ball <b>(TSBUS2002-821)</b>
29	56315405	2	Bearing Plate <b>(TSBUS2002-821)</b>
30	56407389	2	Spacer <b>(TSBUS2002-821)</b>
31	56407557	2	Spindle <b>(TSBUS2002-821)</b>
32	56407551	2	Hub <b>(TSBUS2002-821)</b>
33	56315447	2	Idler Bearing Plate <b>(TSBUS2002-821)</b>
34	56407558	4	Washer, Bearing <b>(TSBUS2002-821)</b>

\*\* = Optional



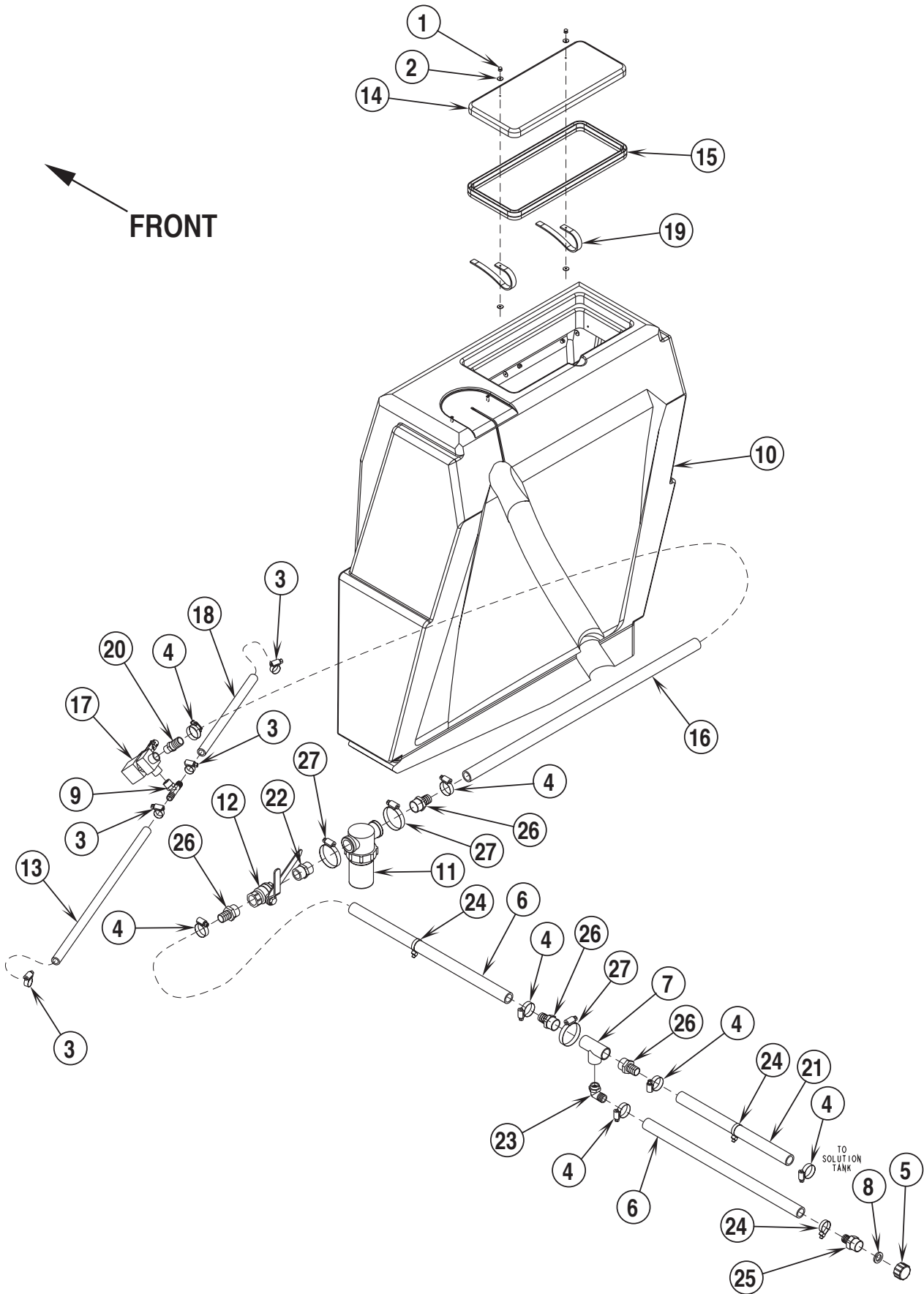
Item	Ref. No.	Qty	Description
	56407123	1	Right Skirt Assembly (#1-13)
	56407124	1	Left Skirt Assembly (#6, 9, 10, 12-13 & 14-15)
1	56003167	2	Scr, Hex Hd M6-1.00 x 40mm
2	56002098	2	Wsh, Flt SAE 1/4
3	56009045	4	Wsh, Bowed .37 x .57 x .06
4	56324499	2	Wheel 3.00
5	56471220	2	Bushing .25 x .37 x 1.00
6	56003454	29	Scr, Hex Thd To Hd M6-1.00 x 20mm (quantity of 23 after SN1543841) TSB766
7	56407188	1	Skirt Weldment, Right
8	56003403	2	Nut, Hex Nyl Loc M6-1.00
9	56003426	29	Nut, Hex Nyl Loc SS M6-1.00 (quantity of 23 after SN1543841) TSB766
10	56407122	2	Blade (Standard)
	56407208	2	Blade (Neoprene)
11	56407120	1	Strap, Right
12	56407184	2	Blade (Standard)
	56407207	2	Blade (Neoprene)
13	56407185	2	Strap
14	56407121	1	Strap, Left
15	56407187	1	Skirt Weldment, Left
16	56407114	4	Knob
17	56407334	4	Knob
18	56009258	4	Nut, Hex Jam M12-1.75
20	56401783	2	Leveler, One Inch
21	56009086	2	Nut, Hex Jam 5/16-18
22	56003448	4	Scr, Hex Thd To Hd M12-1.75 x 70mm
23	56407125	1	Blade, Rear (Standard)
	56407209	1	Blade, Rear (Neoprene)
24	56407127	1	Strap
25	56002883	5	Scr, Hex Hd SS 1/4-20 x 1.00 (after SN1543841) TSB766
26	56407509	1	Skirt, Bristle Long (after SN1543841) TSB766
	56407126	1	Blade, Front (Standard) / (before SN1543842) TSB766
	56407212	1	Blade, Front (Neoprene) / (before SN1543842) TSB766
*	56407131	1	Strap (front blade before SN1543842)
27	56407108	1	Deck Weldment TSB766
28	56009048	5	Nut, Wing Loc 1/4-20 (after SN1543841) TSB766
29	56407508	1	Skirt, Bristle Short (after SN1543841) TSB766
30	56002850	5	Nut, Hex Nyl Loc-Thin SS 1/4-20 (after SN1543841) TSB766
**	56407360	A/R	Standard Scrub Deck Blade Kit (#10, 12, 23 & 26 / before SN1543842)
**	56407316	A/R	Neoprene Scrub Deck Blade Kit (#10, 12, 23 & 26 / before SN1543842)
**	56407520	A/R	Standard Scrub Deck Blade Kit (#10, 12, 23, 26 & 29 / after SN1543841)

\*\* = Optional



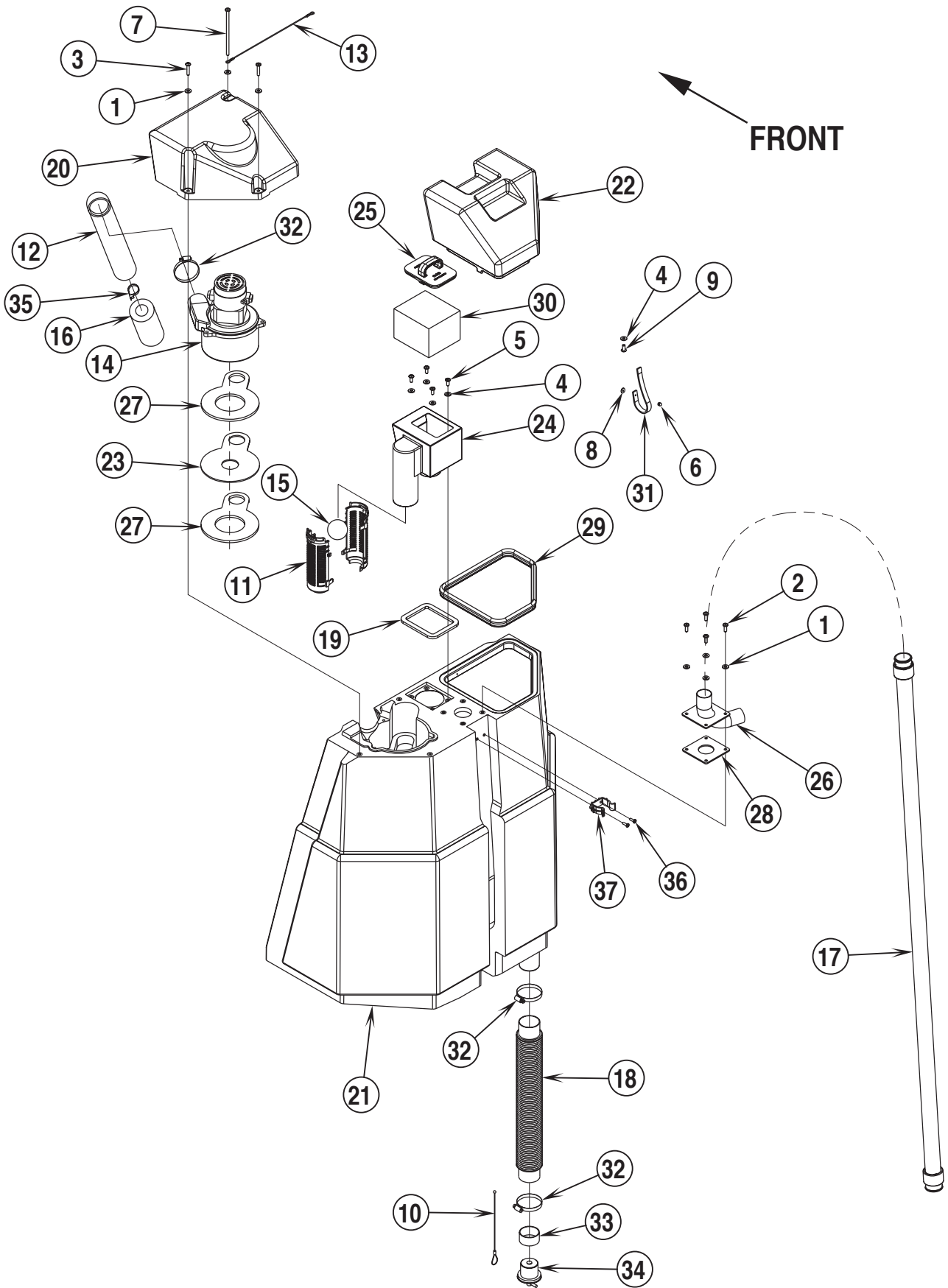
Item	Ref. No.	Qty	Description
	56407470	1	Right Skirt Assembly, 32" (#5-19 & 28)
	56407471	1	Left Skirt Assembly, 32" (#6-12, 14-21 & 28)
	56407542	1	Right Skirt Assembly, 38" (#5-19 & 28)
	56407536	1	Left Skirt Assembly, 38" (#6-12, 14-21 & 28)
1	56407429	1	Housing Weldment, 32"
	56407531	1	Housing Weldment, 38"
2	56002843	4	Nut, Hex Nyl Loc-Thin 1/2-13
3	56001879	2	Wsh, Flt SAE 1/2
4	56002484	2	Scr, Hex Hd 1/2-13 x 4.50
5	56407415	1	Bracket, Mount (Right)
6	56470672	2	Spring, Extension
7	56185263	4	Bearing, Sleeve
8	56407413	2	Arm, Mount <b>TSB802</b>
10	56003426	12	Nut, Hex Nyl Loc SS M6-1.00
11	56407411	2	Retainer, Skirt, 32"
	56407541	2	Retainer, Skirt, 38"
12	56407447	2	Skirt, 32"
	56407540	2	Skirt, 38"
**	56407392	2	Skirt, Oil Resistant, 32"
**	56407545	2	Skirt, Oil Resistant, 38"
13	56407448	1	Skirt Bracket Weldment, 32" (Right)
	56407543	1	Skirt Bracket Weldment, 38" (Right)
14	56003431	14	Scr, Hex Hd SS M6-1.00 x 16mm
15	56003179	2	Scr, Hex Thd To Hd M8-1.25 x 20mm
16	56001939	4	Wsh, Flt SAE 5/16
17	56391840	4	Bushing, 32"
	56320595	4	Bushing, 38"
18	56003389	2	Nut, Hex Nyl Loc M8-1.25
19	56003441	2	Scr, Hex Nyl Loc M6-1.00 x 15mm
20	56407414	1	Bracket, Mount (Left)
21	56407449	1	Skirt Bracket Weldment, 32" (Left)
	56407537	1	Skirt Bracket Weldment, 38" (Left)
22	56002959	2	Pin, Cotter Hair
23	56407391	2	Blade
24	56410214	2	Strap
25	56152811	2	Collar
26	56001841	2	Scr, Soc Set Loc 1/4-20 x .25
27	56330391	2	Wire Rope
28	56003178	2	Scr, Hex M8-1.25 x 16mm
29	56003403	1	Nut, Hex Nyl Loc M6-1.00 (qty of 2 on 38")
30	56412459	1	Wheel (qty of 2 on 38")
31	56412176	1	Bushing (qty of 2 on 38")
32	56003492	1	Scr, Hex M6-1.0 x 95MM (qty of 2 on 38")

\*\* = Optional



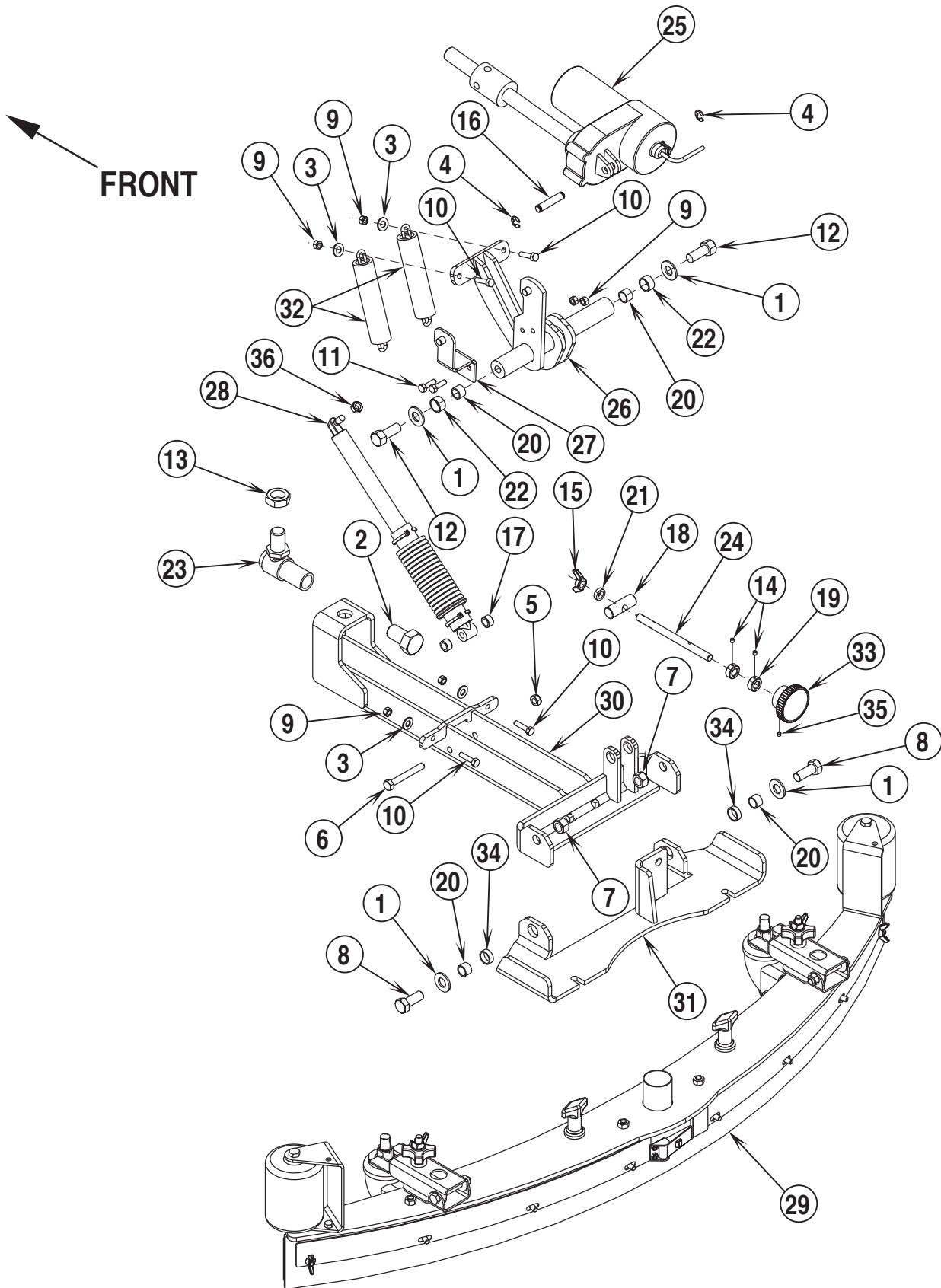


Item	Ref. No.	Qty	Description
1	56003293	4	Rivot, Pop A/S .12 x .38 / .50
2	56009098	8	Wsh, Flt SS .12 x .50 x .03
3	56219932	4	Clamp, Hose SAE #6 <b>(disc models)</b>
4	56244969	7	Clamp, Hose SAE #12
5	56255076	1	Cap, Pipe GHT Nylon
6	56264262	2	Hose
7	56324029	1	Tee
8	56368776	1	Washer, Rubber
9	56407012	1	Tee, 3/8 NPT x 1/2 x 1/2 Barb
10	56407354	1	Solution Tank <b>(Hydro-Retriever™ 3200)</b>
	56407061	1	Solution Tank <b>(BR 850)</b>
11	56407162	1	Filter
12	56407204	1	Flow Control Valve Assembly
	56407158	1	Valve
	56407203	1	Handle, FCV
13	56407267	1	Hose, Spiral <b>(disc models)</b>
14	56407277	1	Solution Tank Cover
15	56407282	1	Gasket
16	56407309	1	Hose, Spiral <b>(disc models)</b>
	56459674	1	Hose, Spiral <b>(cylindrical models)</b>
17	56409154	1	Valve, Solenoid
18	56409462	1	Hose, Spiral <b>(disc models)</b>
19	56409535	2	Strap, Retaining
20	56409815	1	Barb, Adapter 3/4 x 3/8 NPT
21	56449850	1	Hose, Spiral
22	56456799	1	Nipple, Hex 3/4-14
23	56456802	1	Barb, 90 Elbow 11/16 x 3/4 NPT
24	56477613	3	Tie, Cable
25	56900273	1	Barb, Adapter 3/4 x 3/4 GHT
26	56900292	4	Barb, Adapter 3/4 x 3/4 NPT
27	56329145	3	Clamp, Hose



Item	Ref. No.	Qty	Description
1	56002098	7	Wsh, Flt SAE 1/4
2	56002507	4	Scr, Pan Phil 1/4-20 x .75
3	56002825	2	Scr, Pan Phil 1/4-20 x 1.25
4	56002859	5	Wsh, Flt SAE SS 1/4
5	56002989	4	Scr, Pan Phil SS 1/4-20 x .62
6	56003293	1	Rivot, Pop A/S .12 x .38 / .50
7	56003473	1	Scr, Pan Phil SS 1/4-20 x 5.50
8	56009098	2	Wsh, Flt SS .12 x .50 x .03
9	56009120	1	Scr, Pan Phil SS Type B 1/4-14 x .62
10	56261378	1	Cork Strap
11	56324497	2	Cage, Float
12	56330090	1	Hose, Vac
13	56330391	1	Wire Rope, 12 Inch
14	56391208	1	Motor <b>(Vac)</b>
*	56377001	1	Carbon Brush Set
15	56391690	1	Ball, Float
16	56391807	1	Foam, Acoustical
17	56393771	1	Vac Hose 1.50
18	56407057	1	Hose, Drain
19	56407062	1	Gasket, Inlet
20	56407064	1	Dome, Recovery Tank
21	56407066	1	Recovery Tank
22	56407081	1	Cover, Recovery Tank
23	56407240	1	Plate
24	56407241	1	Intake Housing, Rotomold
25	56407265	1	Cover / Handle Assembly
*	56407264	1	Gasket
26	56407270	1	Recovery Tube
27	56407272	2	Gasket, Vac Motor
28	56407273	1	Gasket, Spout Inlet
29	56407275	1	Gasket, Recovery Lid
30	56407276	1	Filter
31	56409535	1	Strap, Retaining
32	56440213	3	Clamp, Hose SAE #32
33	56459250	1	Tube
34	56459253	1	Plug, T-Handle
35	56477613	1	Tie, Cable
36	56002896	2	Scr, Pan Phil SS 10-24 x .62
37	56407361	1	Clamp, Plastic

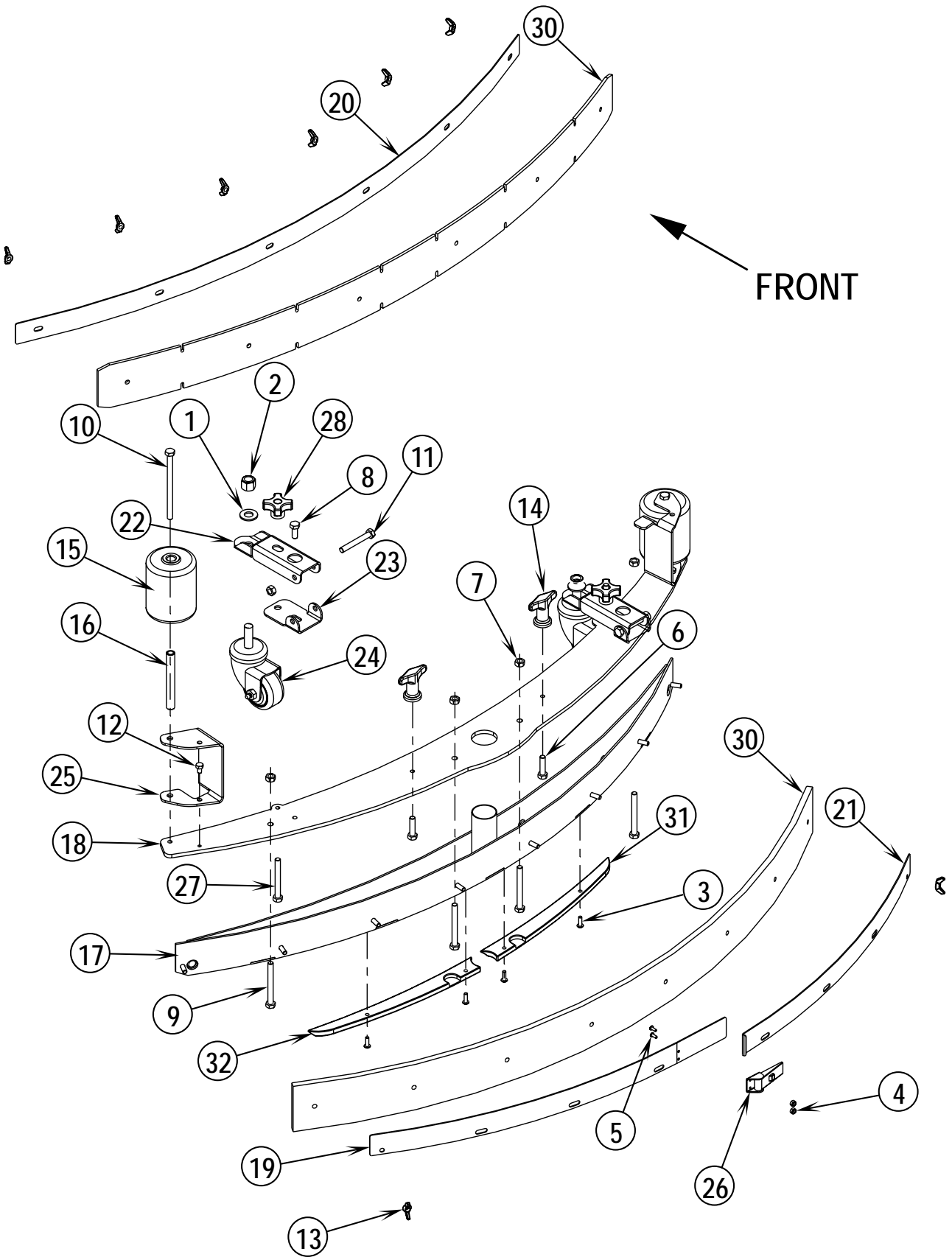
\* = Not Shown



98-4	<b>SQUEEGEE SYSTEM</b>	<b>BOOK E</b>		
04-2	<b>Hydro-Retriever™ 3200, 3200C / BR 850, 850C, 850C-XL</b>	<b>E</b>	<b>7.3.1</b>	<b>27</b>

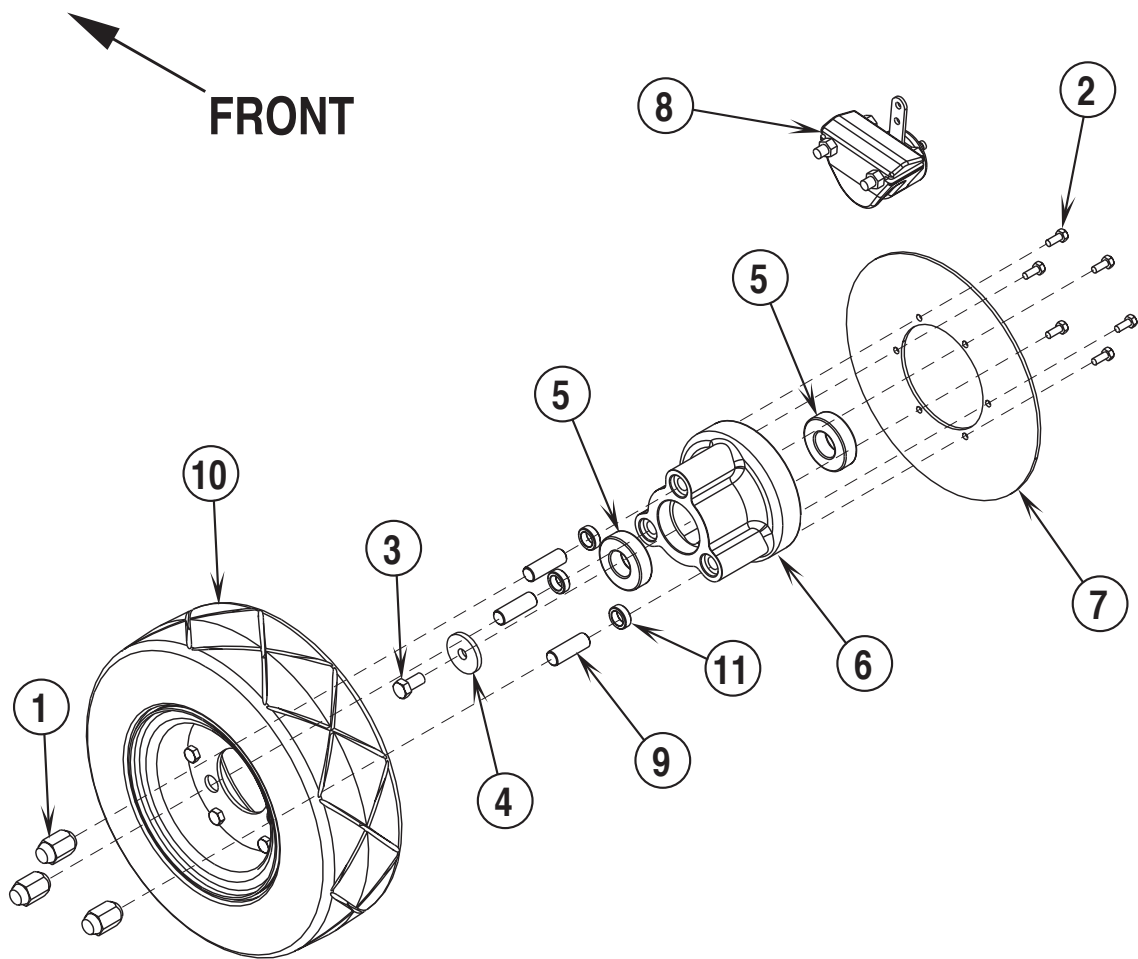
Item	Ref. No.	Qty	Description
1	56001879	4	Wsh, Flt SAE 1/2
2	56002739	1	Scr, Hex Hd 3/4-16 x 1.25
3	56002938	4	Wsh, Flt SAE SS 5/16
4	56003262	2	Ring, Ret. Ext. Type E .38 Dia.
5	56003389	1	Nut, Hex Nyl Loc M8-1.25
6	56003398	1	Scr, Hex Hd M8-1.25 x 60mm
7	56003407	2	Nut, Hex Nyl Loc M12-1.75
8	56003418	2	Scr, Hex Hd M12-1.75 x 30mm
9	56003426	6	Nut, Hex Nyl Loc SS M6-1.00
10	56003430	4	Scr, Hex Hd SS M6-1.00 x 25mm
11	56003443	2	Scr, Hex Hd SS M6-1.00 x 20mm
12	56003478	2	Scr, Hex Nyl Loc M12-1.75 x 30mm
13	56003329	1	Nut, Hex Nyl Loc-Thin 3/4-16
14	56002015	2	Scr, Soc Set Loc 10-24 x .25
15	56009252	1	Nut, Wing SS 3/8-16
16	56104760	1	Pin
17	56232181	2	Bushing
18	56324369	1	Pin
19	56331076	2	Collar
20	56360627	4	Bushing
21	56366013	1	Bushing .37 x .62 x .18
22	56370878	2	Bearing, Sleeve
23	56391864	1	Ball Joint
24	56392104	1	Rod, Adjuster
25	56393303	1	Lift Actuator ( <b>Squeegee</b> )
*	56388520	1	Replacement Plastic Nut
*	56470433	1	Carbon Brush Set
26	56407028	1	Arm Weld't.
27	56407110	1	Half Yoke Weld't.
28	56407382	1	Spring Assembly, Gas
29	56407590	1	Squeegee Assy ( <b>see associated pages</b> ) TSBUS2003-836 / TSBUS2004-862
30	56407304	1	Mount Weld't.
31	56407306	1	Squeegee Mount Weld't.
32	56407335	2	Chain Assembly
33	56475480	1	Knob
34	56478781	2	Bearing, Sleeve
35	56003123	1	Scr, Soc Set 10-24 x .38
36	56002826	1	Nut, Hex Nyl Loc-Thin 5/16-18

\* = Not Shown



Item	Ref. No.	Qty	Description
	56407590	1	Squeegee Assembly TSBUS2003-836 / TSBUS2004-862
1	56001879	2	Wsh, Flt SAE 1/2
2	56002770	2	Nut, Hex Nyl Loc 1/2-13
3	56002896	4	Scr, Pan Phil SS 10-24 x .62
4	56002907	2	Nut, Hex Nyl Loc SS 6-32
5	56002909	2	Scr, Pan Phil SS 6-32 x .38
6	56003302	2	Scr, Hex Thd To Hd SS 5/16-18 x 1.25
7	56003405	6	Nut, Hex Nyl Loc SS M8-1.25
8	56003435	2	Scr, Hex Hd SS M8-1.25 x 20mm
9	56003461	4	Scr, Hex Hd SS M8-1.25 x 75mm
10	56003462	2	Scr, Hex Hd SS M8-1.25 x 120mm
11	56003464	2	Scr, Hex Hd SS M8-1.25 x 60mm
12	56003498	2	Scr, Hex Hd SS M6-1.00 x 10mm
13	56009111	8	Nut, Wing SS 1/4-20
14	56370711	2	Nut, Thumb
15	56407006	2	Wheel, Roller
16	56407155	2	Bushing
17	56407290	1	ToolWeldment
18	56407294	1	Plate
19	56407297	1	Strap, Left Rear
20	56407298	1	Strap, Front
21	56407299	1	Strap, Right Rear
22	56407301	2	Bracket
23	56407302	2	Bracket
24	56407344	2	Caster Wheel
25	56407375	2	Bracket
26	56471194	1	Latch Assy
27	56003649	2	Scr, Hex Thd To Hd SS 5/16-18 x 2.75
28	56407510	2	Knob
30	56407589	1	Standard Squeegee Blade Kit
31	56410416	1	Insert, Squeegee Right TSBUS2003-836 / TSBUS2004-862
32	56410417	1	Insert, Squeegee Left TSBUS2003-836 / TSBUS2004-862
**	56407589	1	Standard Squeegee Blade Kit
**	56407602	1	Neoprene Squeegee Blade Kit
**	56407601	1	Linatex Squeegee Blade Kit
**	56407505	1	Blade, Front W/O Notches (for tile floors)

\*\* = Optional





98-4

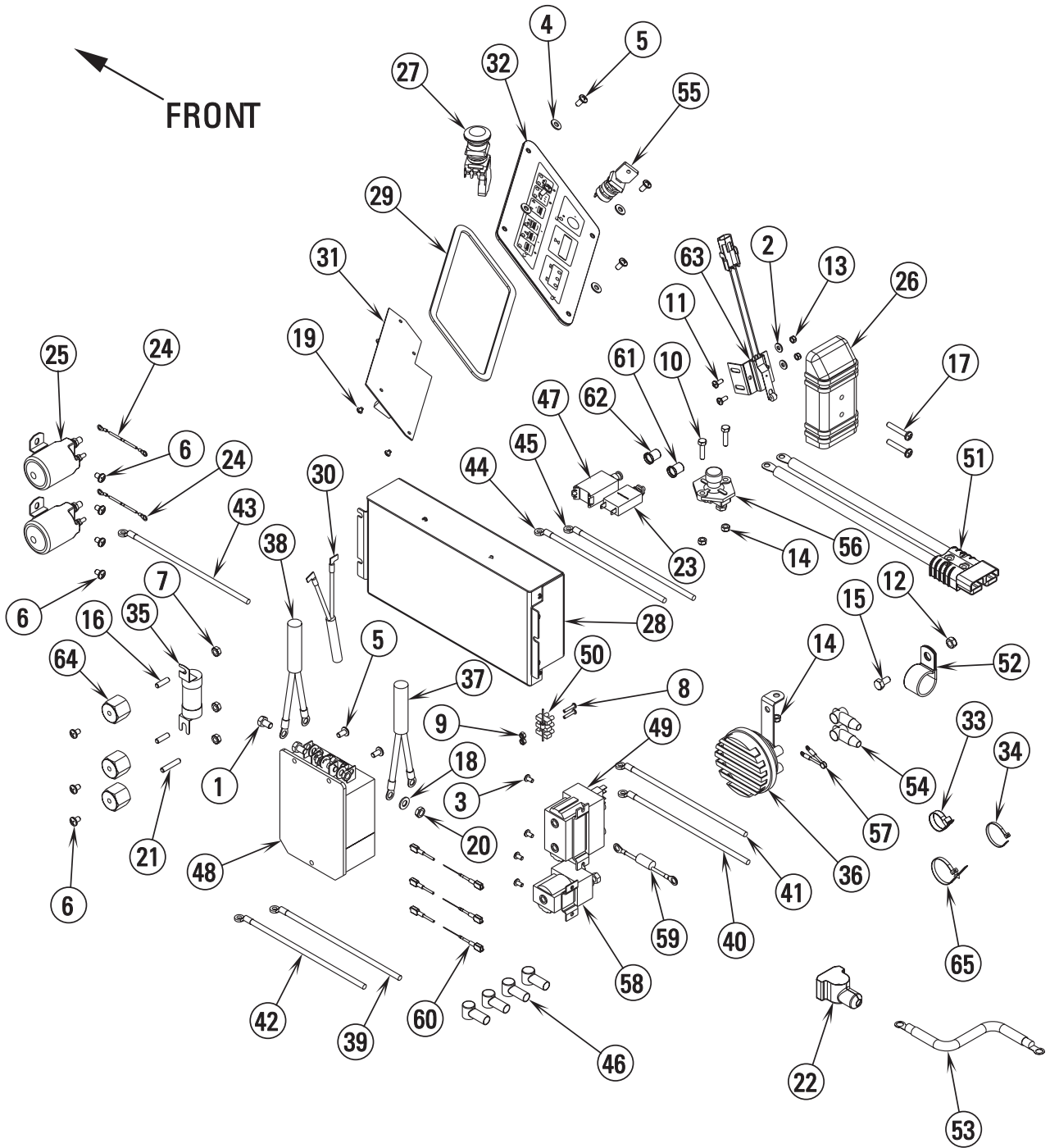
**REAR WHEEL SYSTEM****BOOK E**

00-11

**Hydro-Retriever™ 3200, 3200C / BR 850, 850C, 850C-XL****E****7.3.1****31**

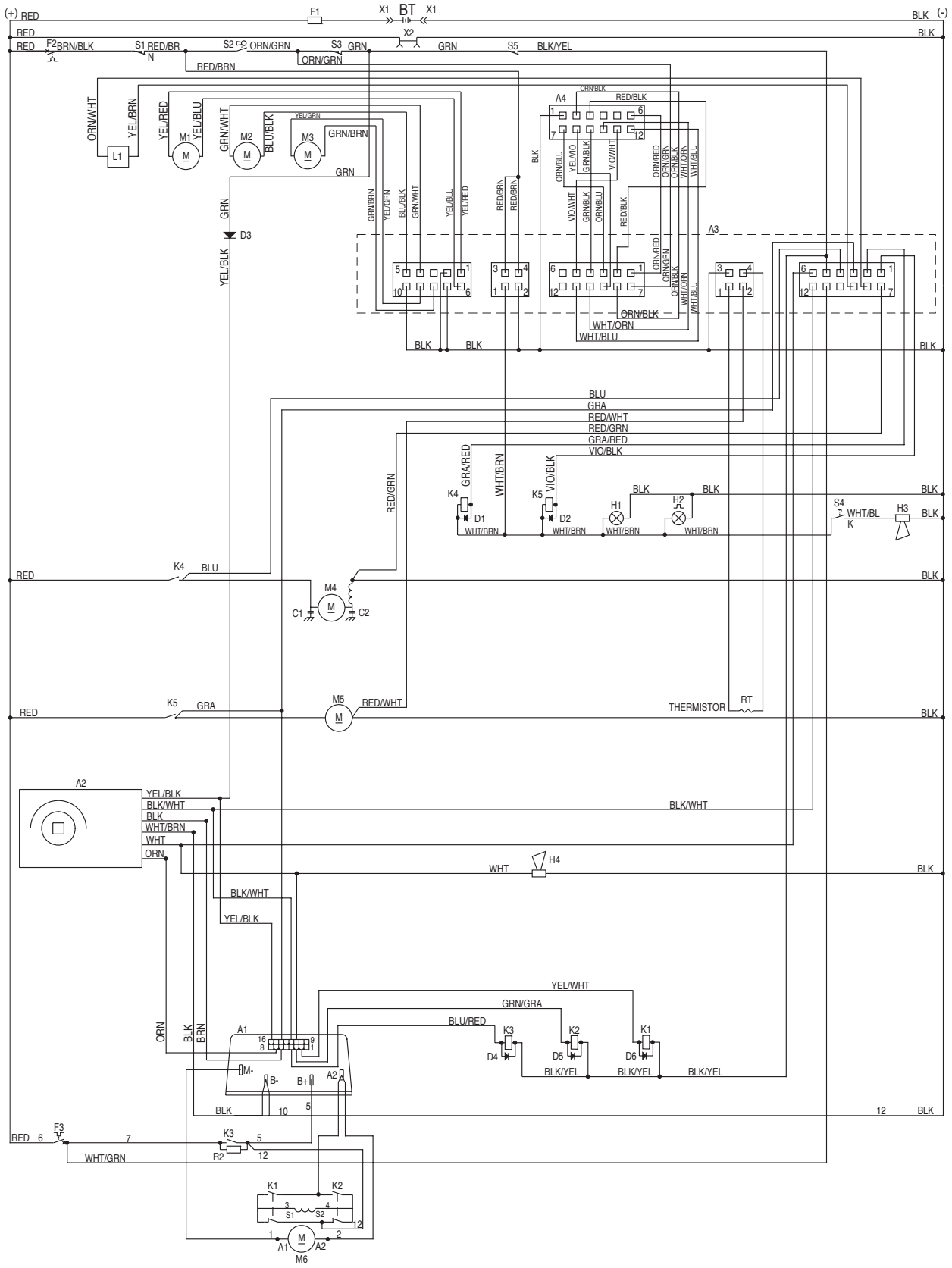
Item	Ref. No.	Qty	Description
1	56003384	6	Nut, Lug
2	56003441	12	Scr, Hex Nyl Loc M6-1.00 x 15mm
3	56003442	2	Scr, Hex Nyl Loc M10-1.50 x 20mm
4	56367117	2	Wsh, Flt .40 x 1.50 x .18
5	56479430	4	Bearing, Ball
6	56407137	2	Hub, Finished
7	56407138	2	Brake Disc
8	56407139	1	Caliper, Brake Left
*	56391301	1	Caliper, Brake Right
9	56407182	6	Stud, M14-1.50
10	56407183	2	Wheel Assembly <b>(Standard)</b>
*	56407321	2	Wheel Assembly <b>(Scrubber / Optional)</b>
11	56407359	6	Bushing, .84 x .56 x .29

\* = Not Shown



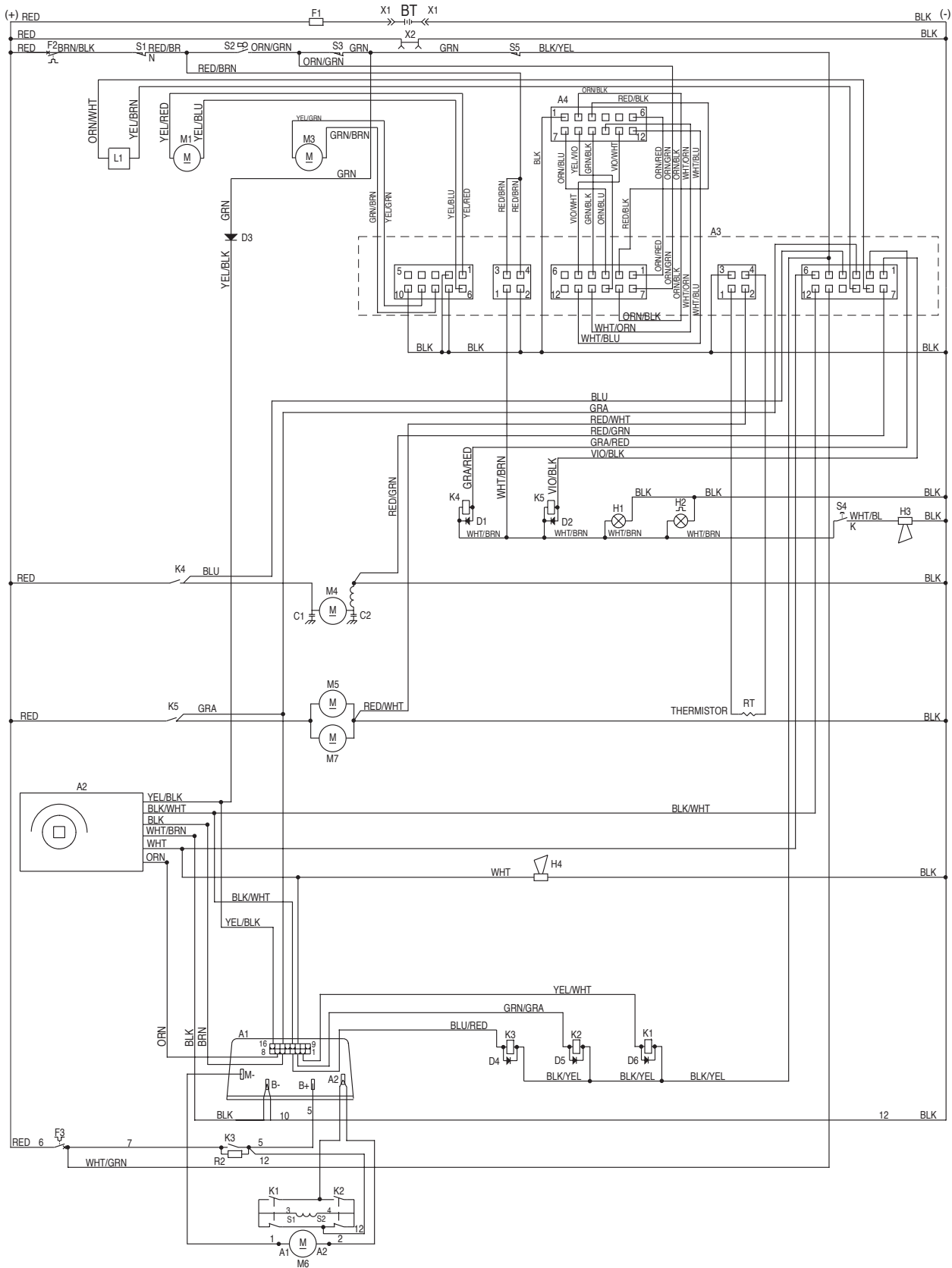
Item	Ref. No.	Qty	Description	Item	Ref. No.	Qty	Description
1	56001862	4	Scr, Hex Hd 5/16-18 x .50	37	56407238	1	Cable
2	56001954	2	Wsh, Flt SAE #10	38	56407239	1	Cable
3	56002043	4	Scr, Pan Phil 10-24 x .38	39	56407248	1	Cable, 6 AWG
4	56002098	4	Wsh, Flt SAE 1/4	40	56407250	1	Cable, 6 AWG
5	56002145	7	Scr, Pan Phil 1/4-20 x .50	41	56407251	1	Cable, 6 AWG
6	56002462	10	Scr, Pan Phil 1/4-20 x .38	42	56407253	1	Cable, 6 AWG
7	56002561	3	Nut, Hex W/Shprf 1/4-20	43	56407254	1	Cable, 4 AWG
8	56002817	2	Scr, Pan Phil 6-32 x .75	44	56407258	1	Cable, 8 AWG
9	56002830	2	Nut, Hex Nyl Loc 6-32	45	56407260	1	Cable, 8 AWG
10	56003358	2	Scr, Hex Hd M6-1.00 x 25mm	46	56409538	4	Insulator, Terminal
11	56003377	2	Scr, Pan Phil M5 x 12mm	47	56407343	1	Circuit Breaker, 45 Amp <b>(Wheel Drive)</b>
12	56003389	1	Nut, Hex Nyl Loc M8-1.25	48	56407356	1	Controller, Speed
13	56003402	2	Nut, Hex Nyl Loc M5-.80	49	56416677	1	Contactora <b>(Reversing)</b>
14	56003403	3	Nut, Hex Nyl Loc M6-1.00	50	56409240	1	Diode
15	56003423	1	Scr, Hex Hd M8-1.25 x 15mm	51	56409444	1	Connector
16	56009020	2	Stud	52	56409463	1	Clamp, 1.25 Hose Support
17	56009050	2	Scr, Pan Phil Thd Form 1/4-20 x 1.50	53	56409485	5	Cable, Battery
18	56009052	4	Wsh, Int Shprf 5/16	*	56398090	12	Terminal Clamp, Battery
19	56009055	4	Scr, Pan Phil 8-32 x .19	54	56492305	2	Boot, Rubber
20	56009086	4	Nut, Hex Jam 5/16-18	55	56420113	1	Switch <b>(Key)</b>
21	56009203	1	Stud, 1/4-20	*	56420158	1	Replacement Key
22	56372673	12	Boot, Battery Post	56	56441555	1	Switch <b>(Horn)</b>
23	56387316	1	Circuit Breaker, 10 Amp <b>(Control)</b>	57	56454662	1	Varistor
24	56389265	2	Diode	58	56454806	1	Contactora <b>(Main)</b>
25	56395450	2	Contactora <b>(Vac / Brush Motor)</b>	59	56454807	1	Resistor, 250 Ohm, 8 Watts
26	56407107	1	Cover, Charger Plug	60	56454812	3	Diode
27	56407130	1	Switch <b>(Emergency Disconnect)</b>	61	56459367	1	Boot, Reset Button
28	56407167	1	Control Box Assembly	62	56459368	1	Boot, Reset Button
29	56407168	1	Gasket	63	56462362	1	Switch <b>(Charger Interlock)</b>
30	56407210	1	Main Wiring Harness	64	56469858	3	Standoff, Insulated
31	56407219	1	Display PCB Assembly	65	56900753	4	Tie, Push Mount
32	56407221	1	Control Panel Assembly	*	56407234	1	Battery Plug Assembly
*	56407089	1	Panel, Control	*	56407233	1	Charger Plug Assembly
*	56407220	1	Switch, Membrane				
33	56477613	12	Tie, Cable				
34	56478246	12	Tie, Cable				
35	56479108	1	Fuse Clamp, 200 Amp				
36	56482365	1	Horn 36V				

\* = Not Shown

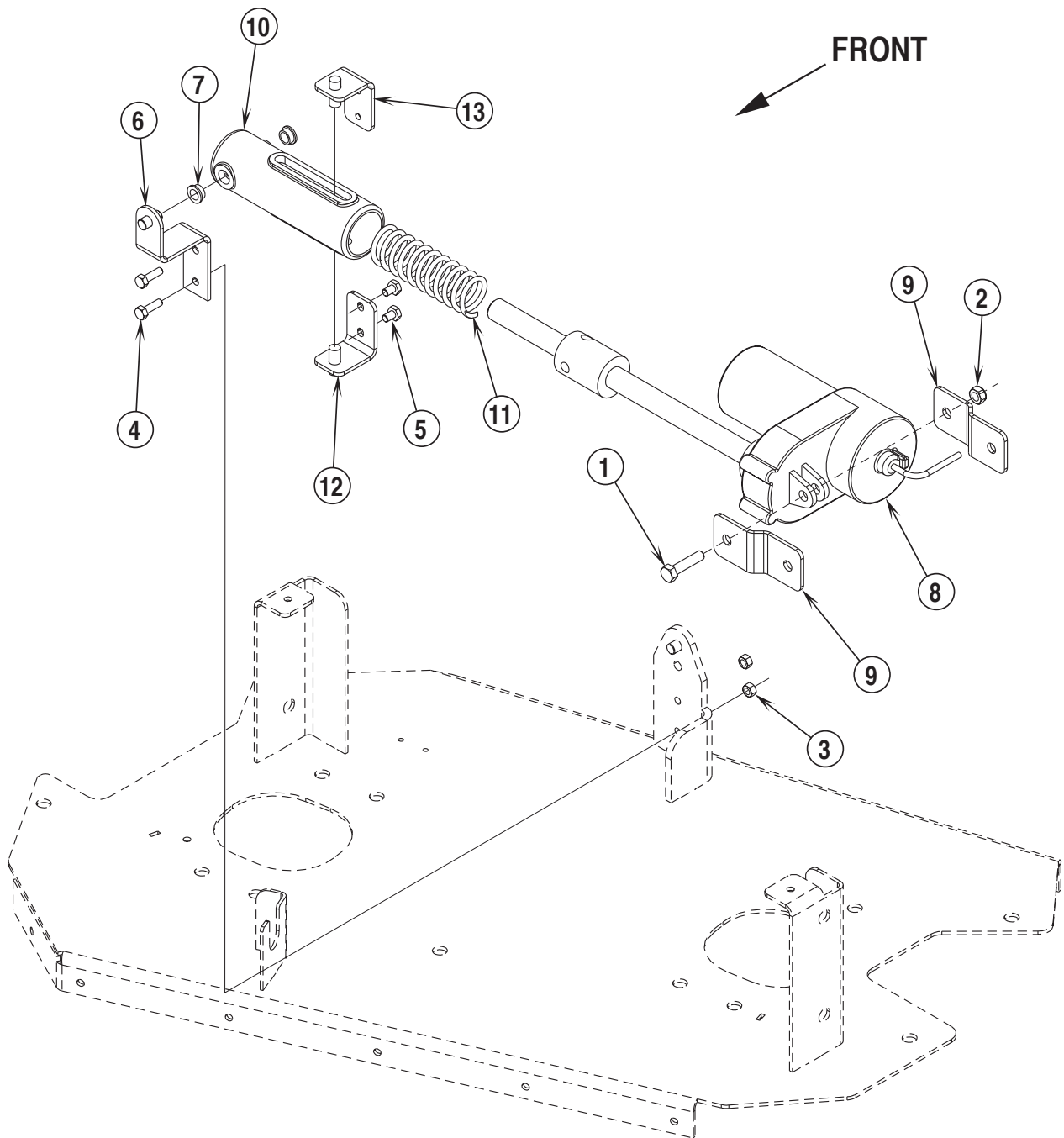


Item	Ref. No.	Qty	Description	Item	Ref. No.	Qty	Description
A1	56407356	1	Controller, Speed	M1	56391627	1	Lift Actuator ( <b>Brush</b> )
A2	56416169	1	Throttle, Electronic	*	56388520	1	Replacement Plastic Nut
A3	56407167	1	Control Box Assembly	*	56470431	1	Carbon Brush Set
A4	56407219	1	Display PCB Assembly	M2	56407283	1	Brush Head Extension Kit ( <b>Optional</b> )
				*	56388520	1	Replacement Plastic Nut
BT	N/A	6	Battery	*	56470431	1	Carbon Brush Set
C1		1	Capacitor, .1 MFD	M3	56393303	1	Lift Actuator ( <b>Squeegee</b> )
C2		1	Capacitor, .1 MFD	*	56388520	1	Replacement Plastic Nut
D1	56389265	1	Diode	*	56470433	1	Carbon Brush Set
D2	56389265	1	Diode	M4	56391208	1	Motor ( <b>Vac</b> )
D3	56409240	1	Diode	*	56377001	1	Carbon Brush Set
D4	56454812	1	Diode	M5	56407192	1	Motor ( <b>Brush</b> )
D5	56454812	1	Diode	M6	56407010	1	Motor / Wheel Assembly
D6	56454812	1	Diode				
F1	56479108	1	Fuse Clamp, 200 Amp	R1		1	Thermister
F2	56387316	1	Circuit Breaker, 10 Amp ( <b>Control</b> )	R2	56454807	1	Resistor, 250 Ohm, 8 Watts
F3	56407343	1	Circuit Breaker, 45 Amp ( <b>Wheel Drive</b> )	S1	56462362	1	Switch ( <b>Charger Interlock</b> )
H1	56407236	1	Headlight Kit ( <b>Optional</b> )	S2	56420113	1	Switch ( <b>Key</b> )
H2	56407237	1	Beacon kit ( <b>Optional</b> )	*	56420158	1	Replacement Key
H3	56482365	1	Horn, 36V	S3	56409613	1	Switch ( <b>Seat</b> )
H4	56407235	1	Back-Up Alarm Kit ( <b>Optional</b> )	S4	56441555	1	Switch ( <b>Horn</b> )
K1	56416677	1	Contactor ( <b>Reverse</b> )	S5	56407130	1	Switch ( <b>Emergency Disconnect</b> )
K2	56416677	1	Contactor ( <b>Forward</b> )	V	56454662	1	Varistor
K3	56454806	1	Contactor ( <b>Main</b> )	X1	56407234	1	Battery Plug Assembly
K4	56395450	1	Contactor ( <b>Vac Motor</b> )	X2	56407233	1	Charger Plug Assembly
K5	56395450	1	Contactor ( <b>Brush Motor</b> )	*	56407210	1	Main Wiring Harness
L1	56409154	1	Valve, Solenoid				

\* = Not Shown



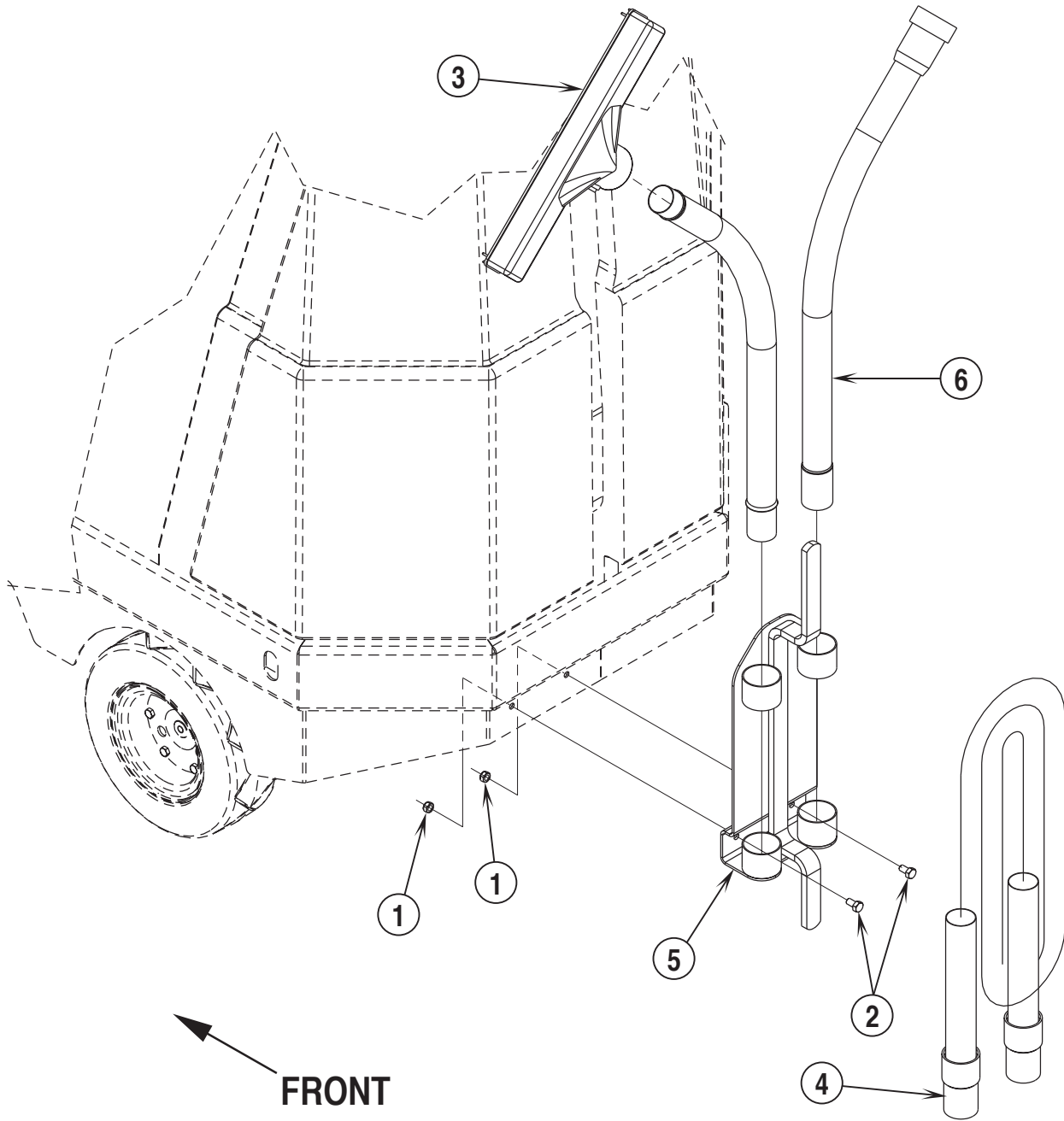
Item	Ref. No.	Qty	Description	Item	Ref. No.	Qty	Description
A1	56407356	1	Controller, Speed	M1	56391627	1	Lift Actuator ( <b>Brush</b> )
A2	56416169	1	Throttle, Electronic	*	56388520	1	Replacement Plastic Nut
A3	56407167	1	Control Box Assembly	*	56470431	1	Carbon Brush Set
A4	56407219	1	Display PCB Assembly	M3	56393303	1	Lift Actuator ( <b>Squeegee</b> )
				*	56388520	1	Replacement Plastic Nut
BT	N/A	6	Battery	*	56470433	1	Carbon Brush Set
				M4	56391208	1	Motor ( <b>Vac</b> )
C1		1	Capacitor, .1 MFD	*	56377001	1	Carbon Brush Set
C2		1	Capacitor, .1 MFD	M5	56407431	1	Motor, 36VDC, .75 HP ( <b>Brush</b> ) TSB 789
				M6	56407010	1	Motor / Wheel Assembly
D1	56389265	1	Diode	M7	56407431	1	Motor, 36VDC, .75 HP ( <b>Brush</b> ) TSB 789
D2	56389265	1	Diode				
D3	56409240	1	Diode	R1		1	Thermister
D4	56454812	1	Diode	R2	56454807	1	Resistor, 250 Ohm, 8 Watts
D5	56454812	1	Diode				
D6	56454812	1	Diode	S1	56462362	1	Switch ( <b>Charger Interlock</b> )
				S2	56420113	1	Switch ( <b>Key</b> )
F1	56479108	1	Fuse Clamp, 200 Amp	*	56420158	1	Replacement Key
F2	56387316	1	Circuit Breaker, 10 Amp ( <b>Control</b> )	S3	56409613	1	Switch ( <b>Seat</b> )
F3	56407343	1	Circuit Breaker, 45 Amp ( <b>Wheel Drive</b> )	S4	56441555	1	Switch ( <b>Horn</b> )
				S5	56407130	1	Switch ( <b>Emergency Disconnect</b> )
H1	56407236	1	Headlight Kit ( <b>Optional</b> )				
H2	56407237	1	Beacon kit ( <b>Optional</b> )	V	56454662	1	Varistor
H3	56482365	1	Horn, 36V				
H4	56407235	1	Back-Up Alarm Kit ( <b>Optional</b> )	X1	56407234	1	Battery Plug Assembly
				X2	56407233	1	Charger Plug Assembly
K1	56416677	1	Contactora ( <b>Reverse</b> )				
K2	56416677	1	Contactora ( <b>Forward</b> )	*	56407210	1	Main Wiring Harness
K3	56454806	1	Contactora ( <b>Main</b> )				
K4	56395450	1	Contactora ( <b>Vac Motor</b> )				
K5	56395450	1	Contactora ( <b>Brush Motor</b> )				
							* = Not Shown
L1	56409154	1	Valve, Solenoid				





Item	Ref. No.	Qty	Description
	56407283	A/R	Brush Head Extension Kit <b>(disc models only)</b>
1	56003361	1	Scr, Hex Hd M8-1.25 x 35mm
2	56003389	1	Nut, Hex Nyl Loc M8-1.25
3	56003426	2	Nut, Hex Nyl Loc SS M6-1.00
4	56003443	2	Scr, Hex Hd SS M6-1.00 x 20mm
5	56009019	2	Scr, Hex Thd Form 1/4-20 x .38
6	56420021	1	Mount Weldment
7	56324505	2	Bearing, Flange
8	56391627	1	Actuator <b>(Brush Head Extension)</b>
*	56388520	1	Replacement Plastic Nut
*	56470431	1	Carbon Brush Set
9	56407103	2	Actuator Yoke
10	56407106	1	Spring Housing, Actuator
11	56407246	1	Compression Spring
12	56420019	1	Nut Retainer
13	56420020	1	Nut Retainer
*	56040663	1	Instruction Sheet

\* = Not Shown



98-4

**VACUUM WAND CADDY KIT****BOOK E**

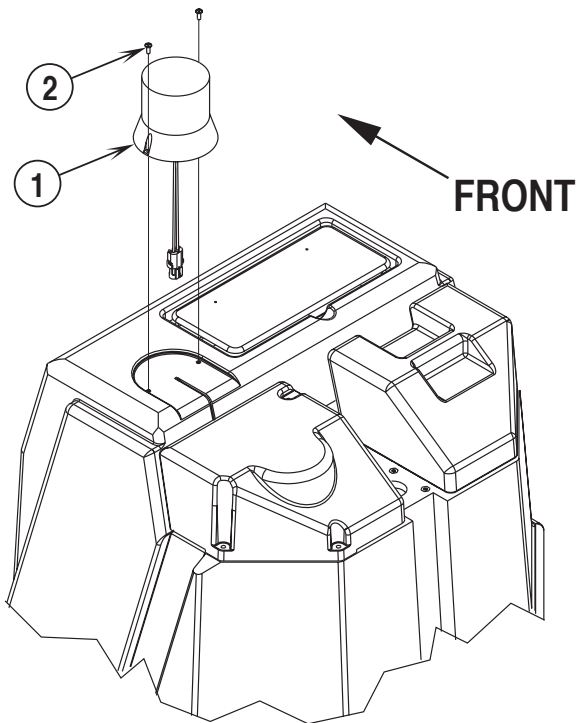
00-11

**Hydro-Retriever™ 3200, 3200C / BR 850, 850C, 850C-XL****E****7.3.1****41**

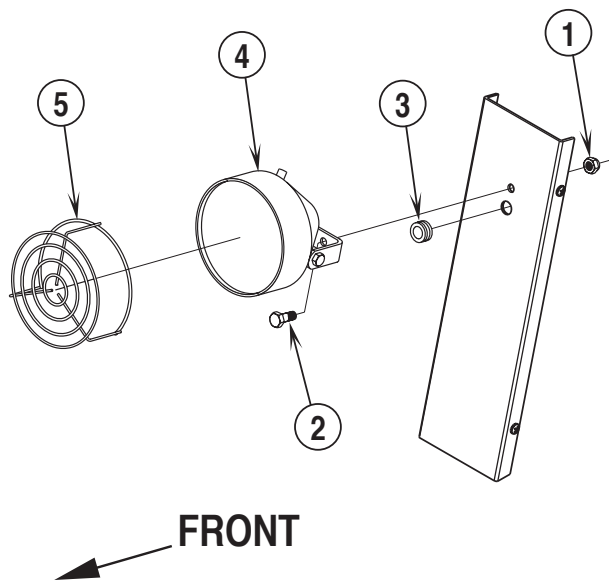
<b>Item</b>	<b>Ref. No.</b>	<b>Qty</b>	<b>Description</b>
	56407242	A/R	Vacuum Wand Caddy Kit
1	56003389	2	Nut, Hex Nyl Loc M8-1.25
2	56003423	2	Scr, Hex Hd M8-1.25 x 15mm
3	56205114	1	Squeegee Tool, 14 Inch
4	56329062	1	Vac Hose
5	56407214	1	Caddy Weldment
6	56409563	1	Wand, 2 Piece
*	56040662	1	Instruction Sheet

\* = Not Shown

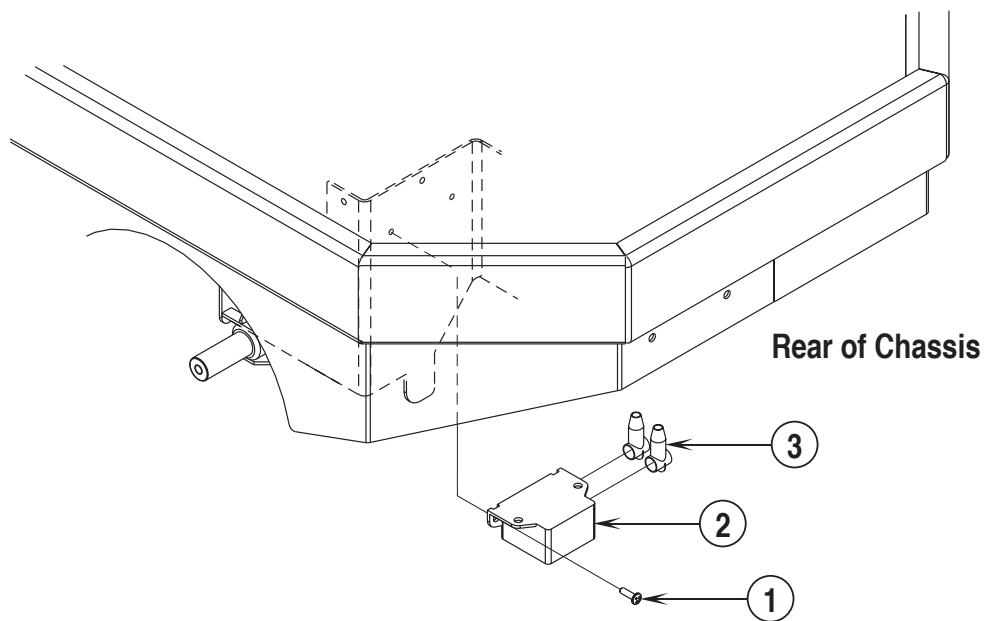
56407237 BEACON KIT



56407236 HEADLIGHT KIT



56407235 BACKUP ALARM KIT



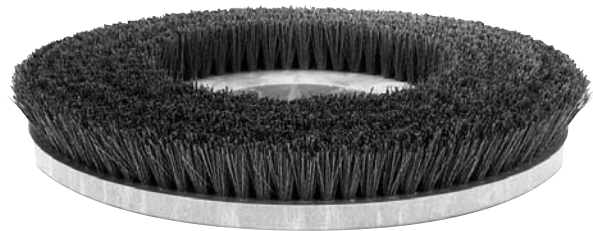
Item	Ref. No.	Qty	Description
	56407237	1	Beacon Kit
1	56416433	1	Strobe
*	56416435	1	Lens, Amber <b>(for 56416433)</b>
*	56416436	1	Flash Tube <b>(for 56416433)</b>
2	56001993	2	Scr, Pan Phil 10-24 x .50
*	56040638	1	Instruction Sheet
	56407236	1	Headlight Kit
1	56003389	1	Nut, Hex Nyl Loc M8-1.25
2	56003179	1	Scr, Hex Thd To Hd M8-1.25 x 20mm
3	56321540	1	Grommet
4	56409239	1	Headlight
5	56409557	1	Headlight Guard
*	56172230	2	Terminal Tab .25
*	56040637	1	Instruction Sheet
	56407235	1	Back-Up Alarm Kit
1	56009062	2	Scr, Pan Phil Thd Form 1/4-20 x .50
2	56409232	1	Back-Up Alarm
3	56409538	2	Terminal Insulator
*	56478246	1	Cable Tie
*	56409495	1	Wire Assembly <b>(Discard for this installation)</b>
*	56040639	1	Instruction Sheet

\* = Not Shown

We manufacture brushes and pad holders that will give you the best possible performance between machine and floor. Following are descriptions of the materials and their applications.

- Union Mix:** Medium grade natural fibers for polishing finished floors with standard-speed equipment. Recommended for use in place of white pads.
- ProLite:** Bristles are made from light-duty polypropylene for general scrubbing when you do not want to scratch or remove finish from the floor. Recommended for use in place of red pads.
- Prolene:** Polypropylene material for medium-duty scrubbing on concrete, terrazzo and vinyl floor tile. Recommended for use in place of green or blue pads.
- Magna Grit:** For extreme heavy-duty scrubbing or stripping of floors. This brush has extra large diameter silicon carbide grit impregnated synthetic bristles. Recommended for use in place of black pads.
- Dyna Grit:** For aggressive, heavy-duty scrubbing or stripping of floors. Recommended for use in place of brown pads.
- MidLite Grit:** For general purpose scrubbing of sealed or unsealed concrete, stone, terrazzo, quarry tile and other resilient hard floor surfaces. Recommended for use in place of green or blue pads.
- MidGrit:** For general purpose scrubbing when you need a lighter action for sealed or unsealed concrete, stone, terrazzo, quarry tile and other resilient hard floor surfaces. Recommended for use in place of green or blue pads.
- AgLite Grit:** For light scrubbing when used wet; buffing or polishing when used dry on urethane coated, sealed concrete or other resilient hard surface floors. Recommended for use in place of red or white pads.
- Short Trim Pad Holder:** Made with a structural foam block and center ring for correct pad centering. It has a "shower feed" design for getting solution to the floor.

- Ref. No.:** 56505786 - Union Mix  
 56505784 - Prolene  
 56505782 - Dyna Grit  
 56505787 - MidGrit  
 56505780 - Short Trim Pad Holder  
 56505785 - ProLite  
 56505781 - Magna Grit  
 56505788 - MidLite Grit  
 56505783 - AgLite Grit



98-4	<b>BRUSH SELECTOR GUIDE (CYLINDRICAL)</b>	<b>BOOK E</b>		
02-2	<b>Hydro-Retriever™ 3200, 3200C / BR 850, 850C, 850C-XL</b>	<b>E</b>	<b>7.3.1</b>	<b>45</b>

We manufacture brushes and pad holders that will give you the best possible performance between machine and floor. Following are descriptions of the materials and their applications.

- 46 Grit Brush:** Most aggressive grit brush. Used primarily to clean heavy buildup on concrete floors in factories, or for heavy stripping of finish.
- 80 Grit Brush:** Medium aggressive grit brush. Good all-around brush for medium to heavy buildup removal. Can also be used for general stripping operations.
- 180 Grit Brush:** Least aggressive grit brush. Used for daily cleaning of hard-finished floors.
- Polypropylene Brush:** Standard equipment brush. Low cost, yet effective in cleaning many common floor surfaces.
- Stiff Nylon Brush:** Cleaning action similar to polypropylene. More durable and wear-resistant than polypropylene.
- Soft Nylon Brush:** Least aggressive brush available. Used on soft-finish floors where a more aggressive brush would leave scratch marks, or in applications requiring very light cleaning.

- Ref. No.: 32" BRUSHES**  
 56407473 - Soft Nylon  
 56407474 - Hard Nylon  
 56407475 - Polypropylene  
 56407476 - 180 Grit  
 56407477 - 80 Grit  
 56407478 - 46 Grit



- Ref. No.: 38" BRUSHES**  
 56410294 - Soft Nylon  
 56410295 - Hard Nylon  
 56410293 - Polypropylene  
 56410296 - 180 Grit  
 56410297 - 80 Grit  
 56410298 - 46 Grit







---

**Austria (Sales Sub)**

Nilfisk-Advance GmbH	Phone: +43
Voralberger Allee 46	1616 58 30 22
A-1230 Wien	Fax: +43
<a href="mailto:info@nilfisk-advance.at">info@nilfisk-advance.at</a>	1616 58 30 40
<a href="http://www.nilfisk-advance.at">www.nilfisk-advance.at</a>	

---

**Belgium (Sales Sub)**

Nilfisk-Advance NV/SA	Phone: +32
Doornveld Sphere Business Park	(0)2467 60 50
Industrie Asse 3, No. 11	Fax: +32
B-1731 Zellik-Asse	(0)2463 44 16
<a href="http://www.nilfisk-advance.be">www.nilfisk-advance.be</a>	

---

**Czech Republic (Sales Sub)**

Nilfisk-Advance s.r.o.	Phone: +420
Lysinská 44/1863	2 44 09 09 12
143 00 Praha - Modrany	+420
Czech Republic	2 44 09 09 21 4
	Fax: +420
	2 44 40 23 93

---

**Denmark**

Nilfisk-Advance A/S	Phone: +45
Sognevej 25	43 23 81 00
DK-2605 Brøndby	Fax: +45
<a href="mailto:mail@nilfisk-advance.dk">mail@nilfisk-advance.dk</a>	43 43 77 00
<a href="http://www.nilfisk-advance.com">www.nilfisk-advance.com</a>	

---

**Denmark (Prod. Sub)**

Gerni A/S	Phone: +45
Myntevej 2	89 12 22 00
DK-8900 Randers	Fax: +45
<a href="http://www.gerni.com">www.gerni.com</a>	86 43 14 81

---

**Denmark (Sales Sub)**

Nilfisk-Advance Nordic A/S	Phone: +45
Sognevej 25A	43 23 40 50
Postbox 344	Fax: +45
DK-2605 Brøndby	43 23 40 60
<a href="mailto:kundeservice@nilfisk-advance.dk">kundeservice@nilfisk-advance.dk</a>	
<a href="http://www.nilfisk-advance.dk">www.nilfisk-advance.dk</a>	

---

**France (Sales Sub)**

Nilfisk-Advance S.A.	Phone: +33
27 avenue de la Baltique	1695 98 700
Villebon sur Yvette	Fax: +33
P.B. 246	1695 98 701
F-91944 Courtaboeuf Cedex	
<a href="mailto:info@nilfisk-advance.fr">info@nilfisk-advance.fr</a>	
<a href="http://www.nilfisk-advance.fr">www.nilfisk-advance.fr</a>	

---

**Germany (Sales Sub)**

Nilfisk-Advance AG	Phone: +49
Siemensstrasse 25-27	4101 3990
Postfach 1361	Fax: +49
D-25462 Rellingen	4101 39 91 91
<a href="mailto:info@nilfisk-advance.de">info@nilfisk-advance.de</a>	
<a href="http://www.nilfisk-advance.de">www.nilfisk-advance.de</a>	

---

**Greece (Sales Sub)**

Nilfisk-Advance A.E.	Tel.: +30
8, Thoukididou Str.	210 963 3443
Argioupoli	Fax: +30
Gr - 164 52 Athens	210 965 0975
Greece	

---

---

**Holland (Sales Sub)**

Nilfisk-Advance B.V.	Phone: +31
Camerastraat 9 (2e verdieping)	36 546 07 00
1322 BB Almere	Fax: +31
Postbus 60112	36 523 51 48
1320 AC Almere	
<a href="http://www.nilfisk-advance.nl">www.nilfisk-advance.nl</a>	

---

**Ireland (Sales Sub)**

Nilfisk-Advance Limited	Phone: +35
28 Sandyford Office Park	3 12 94 38 38
Sandyford, Dublin 18	Fax: +35
Ireland	3 12 94 38 45

---

**Italy (Prod & Sales Sub)**

CFM SpA	Phone: +39
Nilfisk-Advance Div. Guardamiglio	0377 /414021
Localita Novella III	/45 1124
I-26862 Guardamiglio (Mi)	Fax: +39
	0377 51 443

---

**Italy (Prod & Sales Sub)**

CFM S.p.A.	Phone: +39
Via Porrettana 1991	059 973 0000
I-41059 Zocca (Modena)	Fax: +39
<a href="mailto:cfm@cfm.it">cfm@cfm.it</a>	059 973 0099

---

**Norway (Sales Sub)**

Nilfisk-Advance AS	Phone: +47
Ulvenveien 89C	23 06 75 00
N-0581 Oslo	Fax: +47
	23 06 75 01

---

**Poland (Sales Sub)**

Nilfisk-Advance Sp.Z.O.O.	Phone: +48
05-800 Pruszków	22 738 37 50
ul. 3-go MAJA 8	Fax: +48
Poland	22 738 37 51

---

**Portugal (Sales Sub)**

Nilfisk-Advance, Lda.	Phone: +35
Sintra Business Park	121 911 2670
Zona Industrial Da Abrunheira	Fax: +35
Edificio 1, 1o A	121 911 2679
P-2710-089 Sintra	

---

**Russia (Sales Sub)**

Nilfisk-Advance LLC	Phone: 7
Vyatskaya str. 27, bld. 7	095 783 9602
127015 Moscow	Fax: +7
Russia	095 783 9603

---

**Spain (Sales Sub)**

Nilfisk-Advance S.A.	Phone: +34
Torre D'Ara	93 741 2400
Passeig del Rengle, 5 Pl.10	Fax: +34
E-08302 Mataró (Barcelona)	93 757 8020
<a href="mailto:nilfisk@nilfisk-advance.es">nilfisk@nilfisk-advance.es</a>	

---

**Sweden (Sales Sub)**

Nilfisk -Advance A/S	Phone: +46
Sjöbjörnsvägen 5	8555 94400
Box 44045	Fax: +46
S-100 73 Stockholm	8555 94430
<a href="mailto:info@nilfisk-advance.se">info@nilfisk-advance.se</a>	
<a href="http://www.nilfisk-advance.se">www.nilfisk-advance.se</a>	

---

---

**Sweden (Prod.)**

Nilfisk-Advance A/S	Phone: +46
Åmål Branch	5321 7500
Strömsbergsgatan	Fax: +46
Box 127	5321 7595
S-662 23 Åmål	

---

**Switzerland (Sales Sub)**

Nilfisk-Advance AG	Phone: +41
Ringsstrasse 19	71 92 38 444
Kirchberg/Industrie Stelzl	Fax: +41
CH-9500 Wil	71 92 35 283

[www.nilfisk-advance.ch](http://www.nilfisk-advance.ch)

---

**UK (Sales Sub)**

Nilfisk-Advance Limited	Phone: +44
Newmarket Road	1284 763163
Bury St. Edmunds	Fax: +44
UK-Suffolk IP33 3SR	1284 750 562

---

**USA (Prod.)**

Nilfisk-Advance Inc.	Phone: +1 763
14600 21.st Avenue North	745 3500
Plymouth, MN 55447-3408	Fax: +1 763
<a href="http://www.mn.nilfisk-advance.com">www.mn.nilfisk-advance.com</a>	745 3718

---

**USA (Sales Sub)**

Nilfisk-Advance America Inc.	Phone: +1 610
300 Technology Drive	647 6420
Malvern, PA 19355	Fax: +1 610
<a href="http://www.pa.nilfisk-advance.com">www.pa.nilfisk-advance.com</a>	647 6427

---

**Canada (Sales Sub)**

Nilfisk-Advance Canada Comp.	Phone: +1 905
396 Watline Avenue	712 3260
Mississauga, Ontario L4Z 1X2	Fax: +1 905
	712 3255

---

**Australia (Sales Sub)**

Nilfisk-Advance Pty. Ltd.	Phone: +61(0)2
48 Egerton Street	9648 2700
Silverwater, NSW 2128	Fax: +61(0)2
<i>Postal adresse:</i>	9648 2711
PO Box 6046	
Silverwater, NSW 1811	
<a href="mailto:info@nilfisk-advance.com.au">info@nilfisk-advance.com.au</a>	
<a href="http://www.nilfisk-advance.com.au">www.nilfisk-advance.com.au</a>	

---

**China (Shenzhen)**

Nilfisk-Advance (Shenzhen) Ltd	Phone: +86 755
Blok 3, Unit 130, 1001 Honghua Road	8359 7937 el.
Int. Commercial & Trade Center	8359 7939-42
Fuitian Free Trade Zone	Fax: +86 755
518038 <b>Shenzhen</b>	8359 1063
P.R. China	

---

**China (Suzhou)**

Nilfisk-Advance Professional	Phone: +86 512
Cleaning Equipment (Suzhou) Co. Ltd.	8918 5656
306 Su Hong Zhong Road, Build. 2	Fax: +86 512
Suzhou Industrial Park	8918 5666
215021 <b>Suzhou</b>	
P.R. China	

---

---

**Hong Kong (Sales Sub)**

Nilfisk-Advance Ltd.	Phone: +852
2001 HK Worsted Mills Ind'l Bldg.,	2427 5951
31-39 Wo Tong Tsui St.	Fax: +852
Kwai Chung, Hong Kong	2487 5828

---

**Japan (Sales Sub)**

Nilfisk-Advance Inc.	Phone: +8145
3-17-40-101 Chigasaki Higashi	942 7741
Tsuzuki-ku, Yokohama 224-0033	Fax: +8145
Japan	942 6545

---

**Malaysia (Sales Sub)**

Nilfisk-Advance Sdn Bhd	Phone: +60 3
No. 21, Jalan SS 25/41	7956 8188
Mayang Industrial Park	Fax: +60 3
47301 Petaling Jaya	7966 6828
Selangor, Malaysia	

---

**New Zealand (Sales Sub)**

Nilfisk-Advance Limited	Phone: +64(0)9
Danish House	525 0092
6 Rockridge Avenue	Fax: +64(0)9
Penrose 92-829	525 6440
Auckland1135	
<i>Postal adresse:</i>	
Private Bag 92 825	
Auckland	
New Zealand	

---

**Singapore (Sales Sub)**

Nilfisk-Advance Pte. Ltd.	Phone: + 65
22,Woodlands Industrial Park E1	6 7599100
Singapore 757740	Fax: +65
<a href="mailto:sales@nilfisk-advance.com.sg">sales@nilfisk-advance.com.sg</a>	7599133

---

**Taiwan, ROC (Sales Sub)**

Nilfisk-Advance Ltd.	Phone: +886
Taiwan Branch (H.K.)	2 2239 8812
1F, No. 193, Sec.2	Fax: +886
Xing Long Rd., Taipei	2 2239 8832
Taiwan, R.O.C.	

---

**Thailand (Sales Sub)**

Nilfisk-Advance Co. Ltd.	Phone: +66 2
89 Soi Chokechai-Ruammitr	275-5630
Viphavadee-Rangsit Road	Fax: +66 2
Ladyao, Jatuchak, Bangkok 10900	691-4079
Thailand	

