



35 Custom Builder (CB) Owner's Manual

Tested and Listed by



Omni-Test Laboratories, Inc.
Beaverton, Oregon-Report#028-5-35-5
ANSIZ21.88, CSA2.33M98, CAN/CGA2.17-M91

- Direct Vent Fireplace
- Natural Gas or Propane
- Standard Residential
- Mobile Home Approved

WARNING: If the information in these instructions are not followed exactly, a fire or explosion may result causing property damage, personal injury or loss of life.

- Do not store or use gasoline or other flammable vapors and liquids in the vicinity of this or any other appliance.

WHAT TO DO IF YOU SMELL GAS

- Do not try to light any appliance.
- Do not touch any electrical switch; do not use any phone in your building.
- Immediately call gas supplier from a neighbor's phone. Follow the gas supplier's instructions.
- If you cannot reach your gas supplier, call the fire department.
- Installation and service must be performed by a qualified installer, service agency or the gas supplier.

This appliance may be installed as an OEM installation in a manufactured (mobile) home and must be installed in accordance with the manufacturer's instructions and the manufactured home construction and safety standard, Title 24 CFR, Part 3280 or Standard for Installation in Mobile Homes, CAN/CSA Z240 MH.

This appliance is only for use with the type(s) of gas indicated on the rating plate. A conversion kit is supplied with the appliance.

Installer: After installation give this manual to the homeowner and explain operation of this fireplace.

\$10.00 © Copyright 2005, T.I. Part # 93508116



TRAVIS INDUSTRIES
HOUSE OF FIRE

4800 Harbour Pointe Blvd. SW

Mukilteo, WA 98275

Introduction

We welcome you as a new owner of a Fireplace Xtordinaire gas fireplace. In purchasing a Fireplace Xtordinaire you have joined the growing ranks of concerned individuals whose selection of an energy system reflects both a concern for the environment and aesthetics. The Fireplace Xtordinaire is one of the finest fireplaces the world over. This manual will explain the installation, operation, and maintenance of this fireplace. Please familiarize yourself with the Owner's Manual before operating your fireplace and save the manual for future reference. Included are helpful hints and suggestions that will make the operation and maintenance of your new fireplace an easier and more enjoyable experience. We offer our continual support and guidance to help you achieve the maximum benefit and enjoyment from your fireplace.

Important Information

No other Fireplace Xtordinaire gas fireplace has the same serial number as yours. The serial number is below and to the left of the gas control valve.

This serial number will be needed in case you require service of any type.

Model: 35 CB

Serial Number: _____

Purchase Date: _____

Purchased From: _____

Mail your Warranty Card Today, and Save Your Bill of Sale.

To receive full warranty coverage, you will need to show evidence of the date you purchased your fireplace. Do not mail your Bill of Sale to us.

We suggest that you attach your Bill of Sale to this page so that you will have all the information you need in one place should the need for service or information occur.

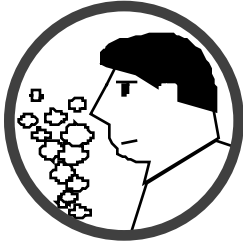
**NATIONAL
FIREPLACE
INSTITUTE**



CERTIFIED
www.nficertified.org

We suggest that our gas hearth products be installed and serviced by professionals who are certified in the U.S. by the National Fireplace Institute® (NFI) as NFI Gas Specialists.

Safety Precautions



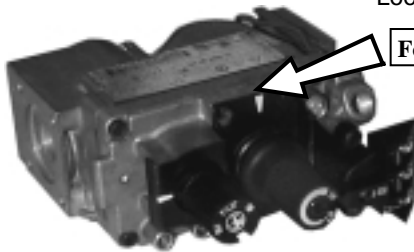
• IF YOU SMELL GAS:

- * Do not light any appliance
- * Extinguish any open flame
- * Do not touch any electrical switch or plug or unplug anything
- * Open windows and vacate building
- * Call gas supplier from neighbor's house, if not reached, call fire department



- This unit must be installed by a qualified installer to prevent the possibility of an explosion. Your dealer will know the requirements in your area and can inform you of those people considered qualified. The fireplace should be inspected before use and at least annually by a qualified service person. More frequent cleaning may be required due to excessive lint from carpeting, bedding material, etc.
- The instructions in this manual must be strictly adhered to. Do not use makeshift methods or compromise in the installation. Improper installation will void the warranty and safety listing.

Look for this label:



For LPG only | Pout 11" W.C.

If the label is present, the heater is equipped for LP (propane). If the label is absent, the heater is equipped for NG (natural gas).

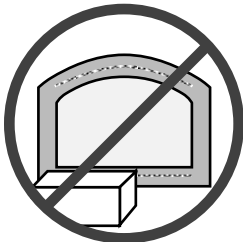
- This fireplace is either approved for natural gas (NG) or for propane (LP or LPG). Burning the incorrect fuel will void the warranty and safety listing and may cause an extreme safety hazard. Direct questions about the type of fuel used to your dealer. Check for the label shown to the right.



- Contact your local building officials to obtain a permit and information on any installation restrictions or inspection requirements in your area. Notify your insurance company of this fireplace as well.



- If the flame becomes sooty, dark orange in color, or extremely tall, do not operate the fireplace. Call your dealer and arrange for proper servicing.



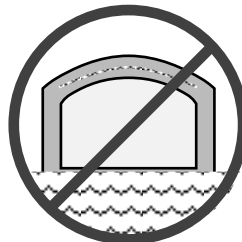
- It is imperative that control compartments, screens, or circulating air passageways of the fireplace be kept clean and free of obstructions. These areas provide the air necessary for safe operation.



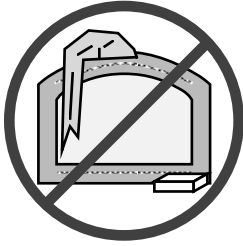
- Do not operate the fireplace if it is not operating properly in any fashion or if you are uncertain. Call your dealer for a full explanation of your fireplace and what to expect



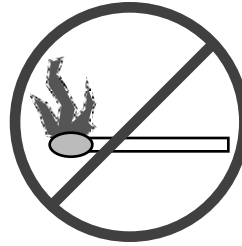
- Do not store or use gasoline or other flammable liquids in the vicinity of this fireplace.



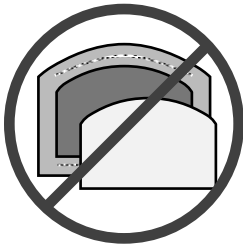
- Do not use this appliance if any part has been under water. Immediately call a qualified service technician to inspect the appliance and to replace any part of the control system and any gas control which has been under water.



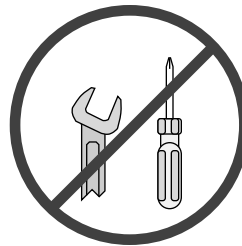
- Do not place clothing or other flammable items on or near the fireplace. Because this fireplace can be controlled by a thermostat there is a possibility of the fireplace turning on and igniting any items placed on or near it.



- Light the fireplace using the built-in piezo igniter. Do not use matches or any other external device to light your fireplace.



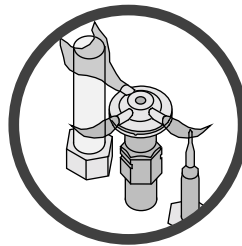
- The viewing glass should be opened only for lighting the pilot or conducting service.
- Any safety screen or guard removed for servicing must be replaced prior to operating the fireplace.
- Do not operate with the glass removed or damaged.



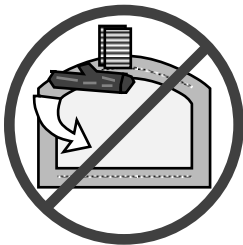
- Never remove, replace, modify or substitute any part of the fireplace unless instructions are given in this manual. All other work must be done by a trained technician. Don't modify or replace orifices.



- Operate the fireplace according to the instructions included in this manual.
- If the main burners do not start correctly turn the gas off at the gas control valve and call your dealer for service.



- Allow the fireplace to cool before carrying out any maintenance or cleaning.
- The pilot flame must contact the thermopile and thermocouple (see the illustration to the left). If it does not, turn the gas control valve to "OFF" and call your dealer.



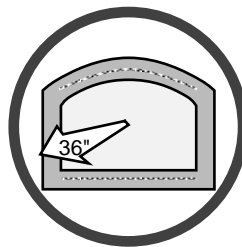
- This unit is not for use with solid fuel
- Do not place anything inside the firebox (except the included fiber logs).
- If the fiber logs become damaged, replace with Travis Industries log set.



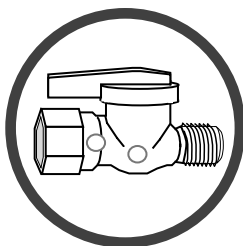
- Do not throw this manual away. This manual has important operating and maintenance instructions that you will need at a later time. Always follow the instructions in this manual.



- Do not touch the hot surfaces of the fireplace. Educate all children of the danger of a high-temperature fireplace. Young children should be supervised when they are in the same room as the fireplace.



- Keep all furniture or other combustible items at least 36" away from the front of the fireplace (this includes drapes or doors that may swing within 36" of the front of the fireplace).



- Instruct everyone in the house how to shut gas off to the appliance and at the gas main shutoff valve. The gas main shutoff valve is usually next to the gas meter or propane tank and requires a wrench to shut off.



- **Travis Industries, Inc. grants no warranty, implied or stated, for the installation or maintenance of your fireplace, and assumes no responsibility of any consequential damage(s).**

Introduction

Introduction & Important Information.....	1
---	---

Safety Precautions

Safety Precautions	2
--------------------------	---

Features & Specifications

Features	5
Installation Options.....	5
Heating Specifications.....	5
Dimensions.....	5

Installation

Installation Warning.....	6
Packing List.....	6
Additional Items Required for Installation.....	6
Installation Overview.....	6
Fireplace Placement Requirements.....	7
Minimum Framing Dimensions	7
Clearances	7
Corner Installations	8
Raised Fireplaces.....	8
Hearth Requirements.....	9
Facing Requirements.....	10
Facing Detail for 35 CB Faces.....	11
Facing Detail for 36 DV Faces.....	12
Face Installation - 35 CB Face	13
Face Installation & Sizing - 36 DV Face.....	14
Mantel Requirements.....	15
Vent Requirements.....	16
Altitude Considerations	16
Clearances	16
Part Numbers (6-5/8" Dia. Vent).....	16
Vent Installation.....	17
Approved Vent Configurations.....	18
Restrictor Position.....	18
Elbows.....	18
Measuring Vent Lengths.....	18
Vertical Term. 0, 2, or 4 45° Offsets.....	19
Horizontal Term. with One Elbow.....	20
Vertical Term. with Two Elbows.....	21
Vent Termination Requirements	22
Gas Line Requirements.....	23
Fuel.....	23
Gas Line Connection.....	23
Gas Inlet Pressure	23

Finalizing the Installation

Glass Removal (& installation).....	24
Log Installation.....	25
Leak Test.....	26
Pilot Adjustment (if necessary).....	26
Air Shutter Adjustment (if necessary).....	26
Check Flame.....	27
Explain Operation to Home-Owner.....	27

Operation

Before You Begin.....	28
Location of Controls	28
Starting The Pilot	29
Starting the Fireplace for the First Time.....	30
Turning the Fireplace On and Off.....	30
Adjusting the Flame Height.....	30
Adjusting the Blower Speed.....	31
Normal Operating Sounds.....	31
Normal Operating Odors.....	31

Maintenance

Maintaining Your Fireplace's Appearance.....	32
Yearly Service Procedure.....	32
Troubleshooting Table.....	33
How this Fireplace Works.....	34
What Turns the Main Burners On and Off.....	34
What Prevents Gas Buildup.....	34
Wiring Diagram	35
Replacement Parts List.....	35

Safety Label

Safety (Listing) Label.....	36
-----------------------------	----

Warranty

Warranty.....	37
---------------	----

Optional Equipment

LP Conversion Kit	38
Blower	43

Index

Index.....	46
------------	----

Features:

- Works During Power Outages (millivolt system)
- High Efficiency
- Optional Thermostat or Remote Control
- Realistic "Wood Fire" Look
- Optional Blower for Heat Distribution
- Convenient Operating Controls
- Variable-Rate Heat Output
- Low Maintenance

Installation Options:

- Residential or Mobile Home
- Straight or Corner Placement
- Flush or Recessed Face
- Raised or Floor Hearth
- Internal or External Chase
- Horizontal or Vertical Vent

Heating Specifications:

Approximate Heating Capacity (in square feet)*
 BTU Input Per Hour (from high to low)
 Efficiency**
 AFUE (Annual Fuel Utilization Efficiency)

* Heating capacity will vary with floor plan, insulation, and outside temperature.

** Efficiency rating is a product thermal efficiency rating determined under continuous operation independent of installed system.

Natural Gas

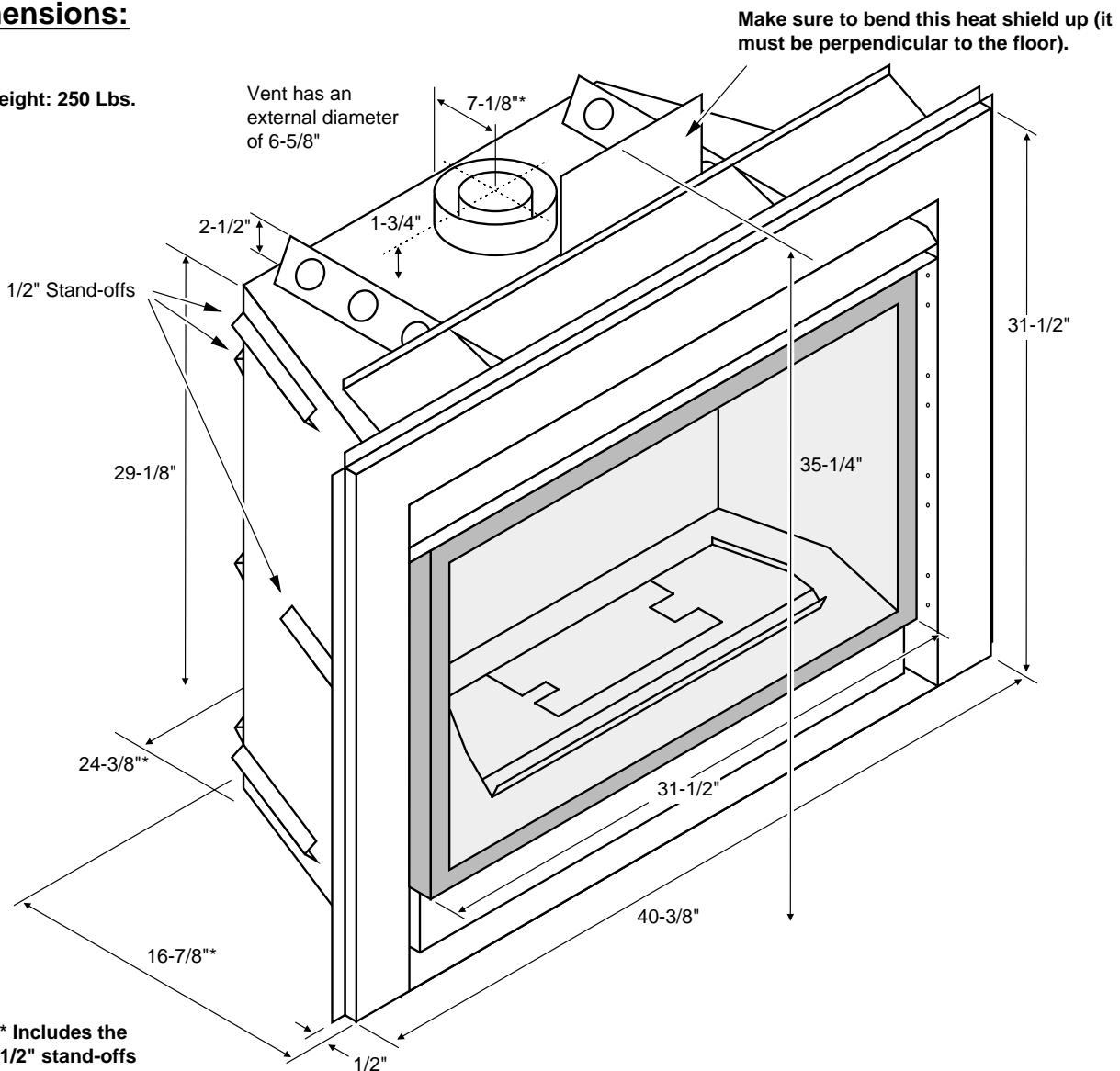
400 to 1,350
 24,000 to 14,342
 76.7
 67.5

Propane

400 to 1,350
 24,000 to 13,708
 78.6
 68.6

Dimensions:

Weight: 250 Lbs.



Installation Warnings:

- ! Failure to follow all of the requirements may result in property damage, bodily injury, or even death.
- ! This fireplace must be installed by a qualified installer who has gone through a training program for the installation of direct vent gas appliances.
- ! This appliance must be installed in accordance with all local codes, if any; if not, in U.S.A. follow ANSI Z223.1 and NFPA 54(88), in Canada follow B-149.
- ! In Manufactured or Mobile Homes must conform with: In USA, Manufactured Home Construction and Safety Standard, Title 24 CFR, Part 3280; In Canada, CSA Z240.4 and Gas-Equipped Recreational Vehicles and Mobile Housing. This appliance may be installed in Manufactured Housing only after the home is site located.
- ! The 35 CB is designed to operate on natural gas or propane (LP).
- ! All exhaust gases must be vented outside the structure of the living-area. Combustion air is drawn from outside the living-area structure.
- ! Notify your insurance company before hooking up this fireplace.
- ! The requirements listed below are divided into sections. All requirements must be met simultaneously. The order of installation is not rigid – the qualified installer should follow the procedure best suited for the installation.

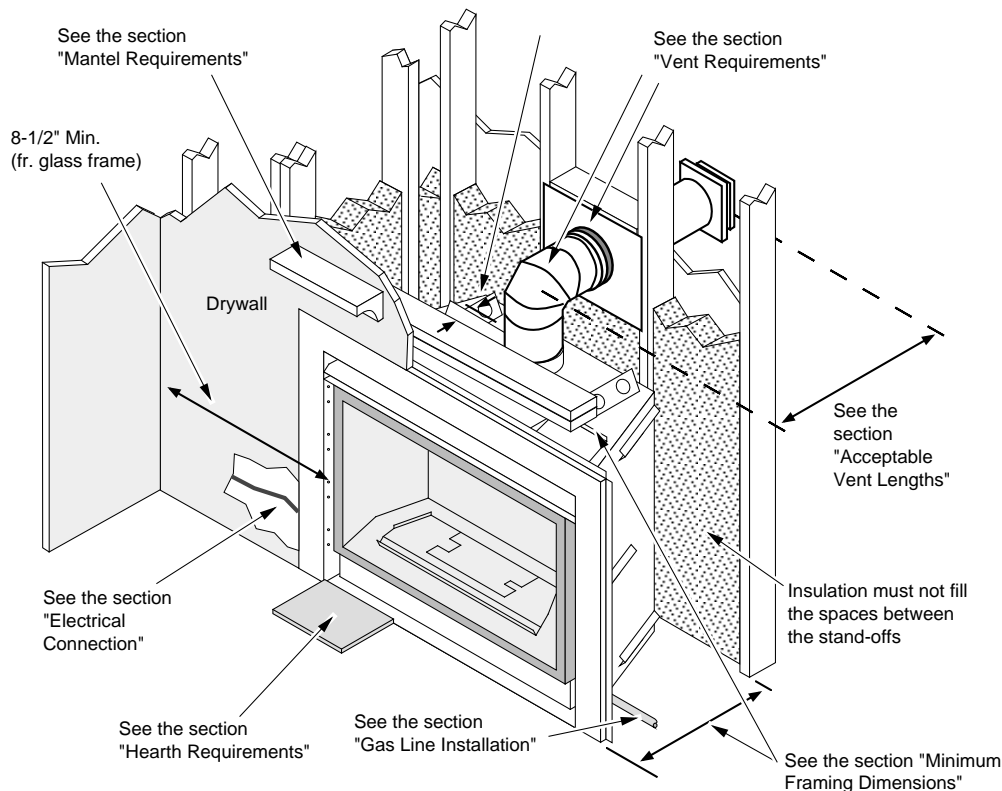
Packing List

- Propane Conversion Kit
- Log Set (Log Set, Coals, & Glowing Embers)
- Flex Tube with Pipe Adapter
- Glass Latch Tool (to un-latch glass frame)
- Black 35 CB Face (with touch-up paint)
- Cove Covers (for 36 DV Arched Faces)

Additional Items Required

- Direct Vent (Simpson Dura-Vent Ph. # 800 835-4429)
- Gas Line Equipment (shutoff valve, pipe, etc.)
- Electrical Equipment (min. 18 gauge, grounded line)

Installation Overview

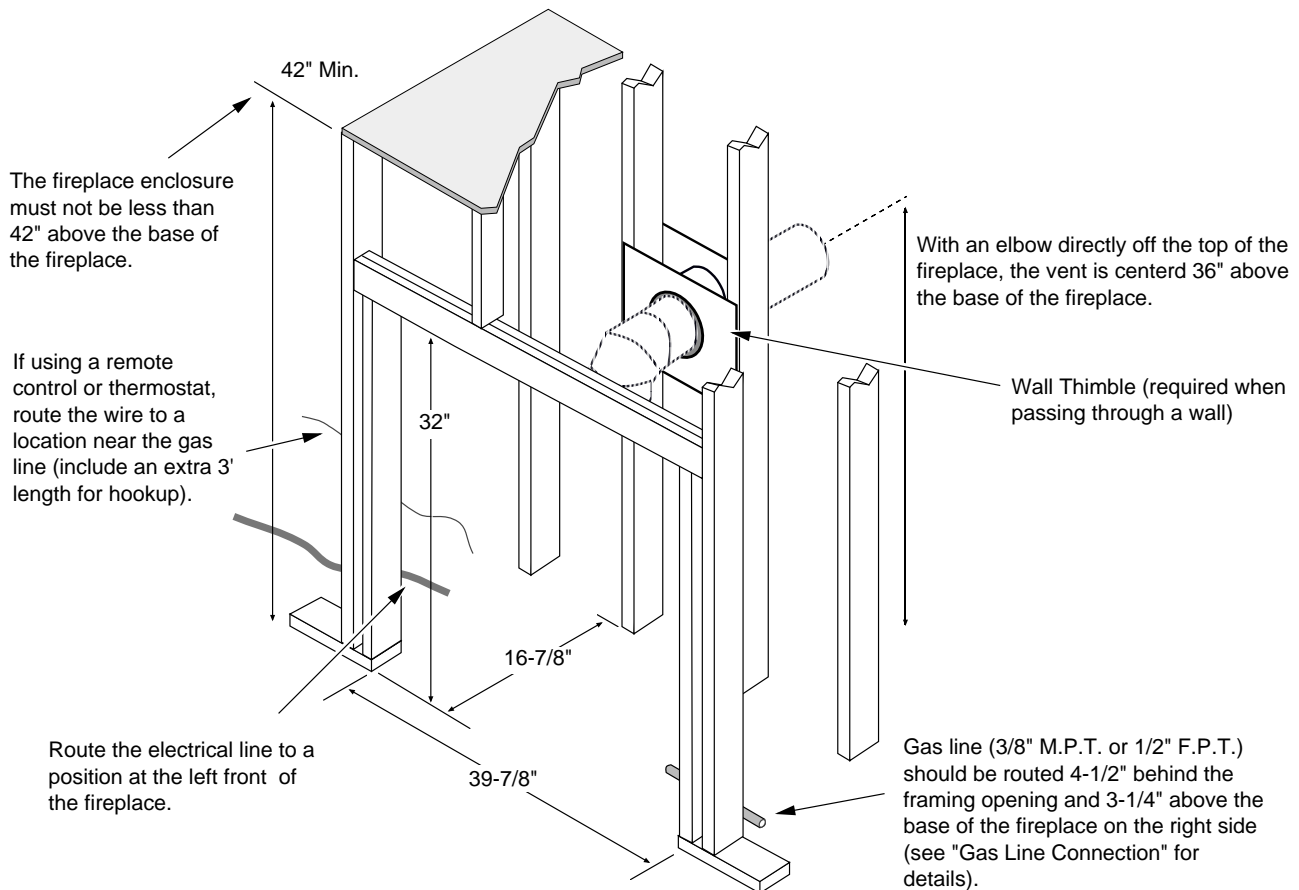


Fireplace Placement Requirements

Minimum Framing Dimensions

The 1/2" stand-offs along the sides and back, and the 2-1/2" stand-offs on top of the fireplace separate the fireplace from combustible materials (e.g.: combustible framing members, plywood, sheetrock, paper-backed insulation). The stand-offs may contact the framing members but no material may be placed between the stand-offs.

This fireplace may be placed in a bedroom. Please be aware of the large amount of heat this appliance produces when determining a location.



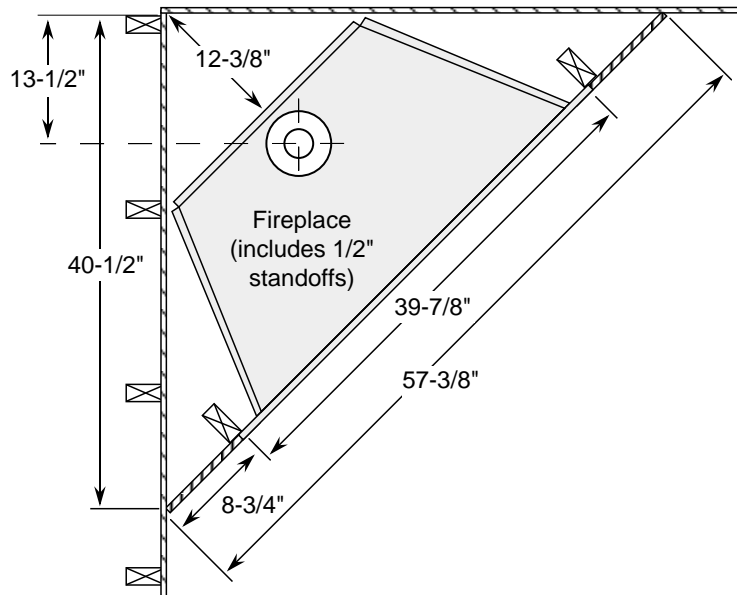
- Fireplace must be installed on a level surface capable of supporting the fireplace and vent
- Fireplace must be placed directly on wood or non-combustible surface (not on linoleum or carpet)
- Due to the high temperature of the fireplace, it should be located out of traffic and away from furniture and draperies.

Clearances

- When installed, walls in front of the fireplace must be a minimum 8-1/2" to the side of the fireplace facing (drywall standoff).
- Fireplace must be placed so that no combustibles are within, or can swing within 36" of the front of the fireplace (e.g. drapes, doors)
- Fireplace must be placed so the vents below and above the glass do not become blocked

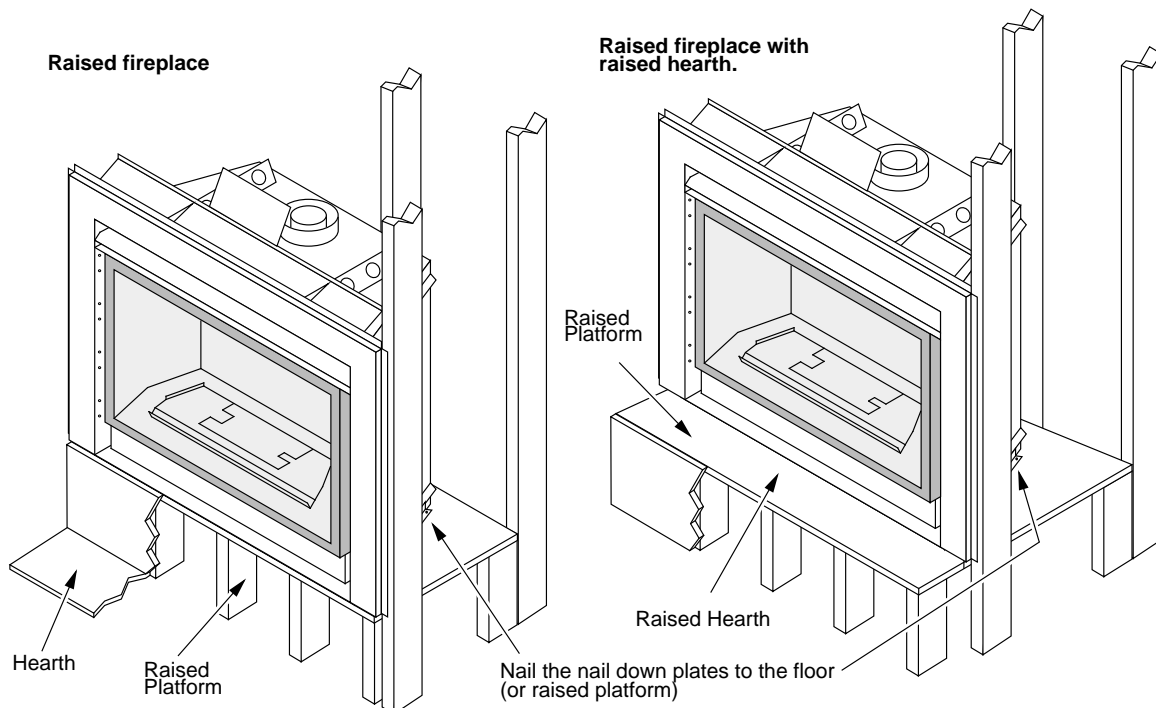
Corner Installations

A typical 45° installation uses the minimum framing dimensions shown in the illustration below (NOTE: all clearances still apply).



Raised Fireplaces

- The fireplace (and hearth, if desired) may be placed on a platform designed to support the fireplace (approximately 300 Lbs.) and vent.
- The fireplace may not be raised so as to place the base of the fireplace within 42" of ceiling or to reduce the fireplace enclosure to less than 42".



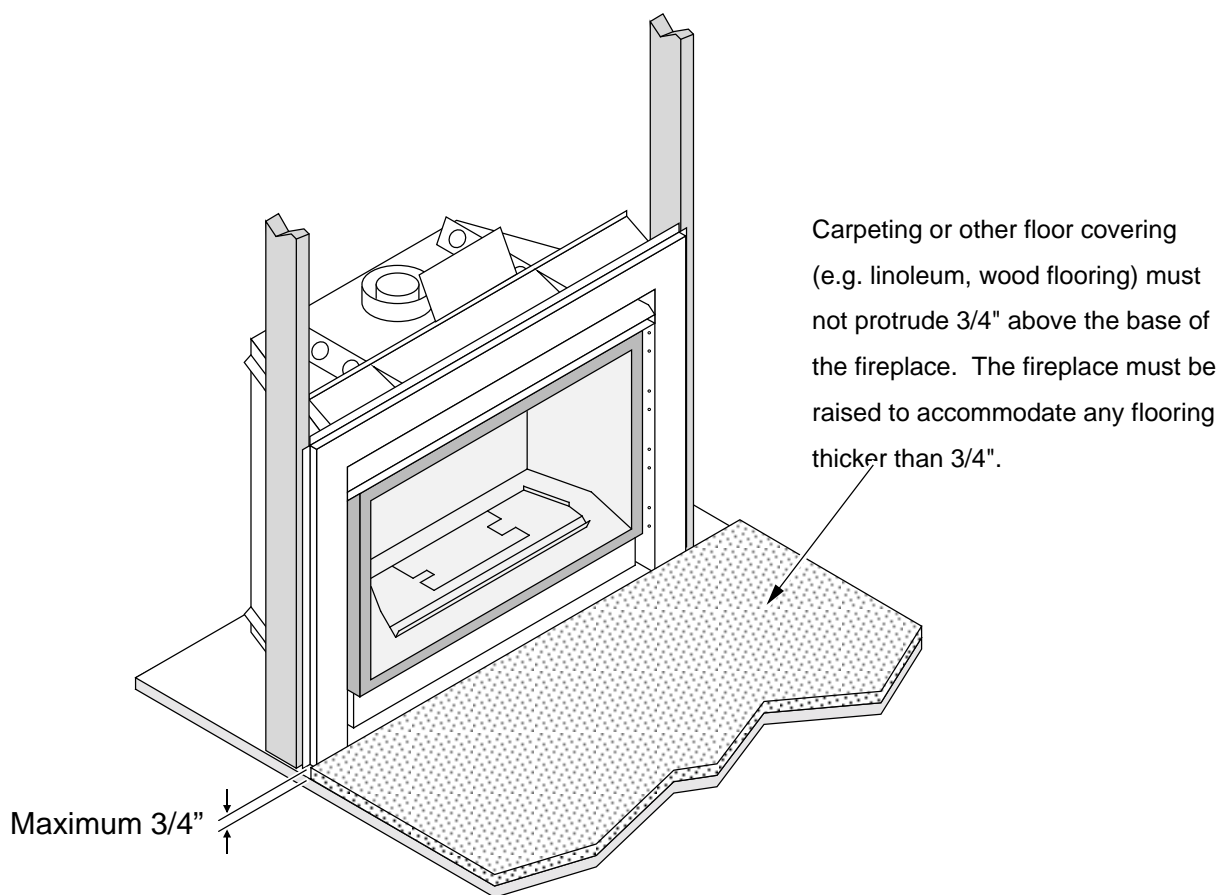
Hearth Requirements

- The fireplace must be placed on a wood or non-combustible sub-floor.
- No hearth is required.

NOTE: Carpeting or other floor covering (e.g. linoleum, wood flooring) must not protrude 3/4" above the base of the fireplace. The fireplace must be raised to accommodate any flooring thicker than 3/4".

HINT: We strongly suggest using a tile or non-combustible hearth in front of the fireplace. This protects the area in front of the fireplace from heat dis-coloration or off-gassing. Travis Industries can not be responsible for floor discoloration in front of the fireplace.

HINT: If using a 36-DV Face, please be aware that a 1-1/8" gap will appear below the face. We suggest a non-combustible hearth in front of the face to conceal this area.



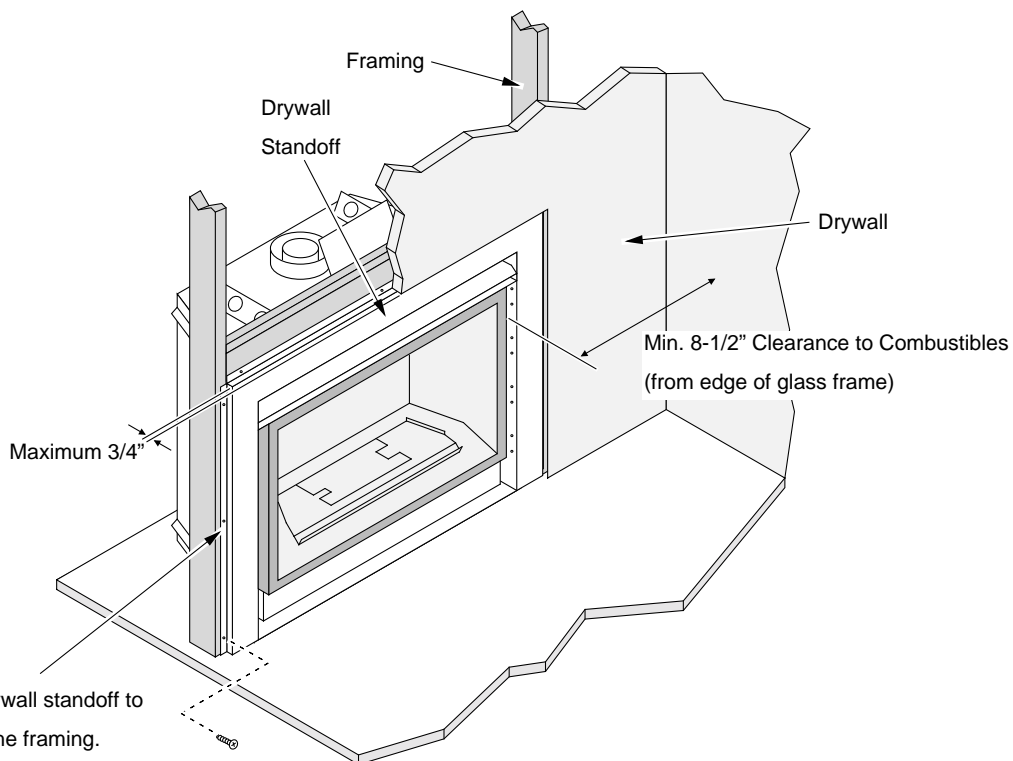
Facing Requirements

- Drywall may be butted up to the drywall standoff.

NOTE: Drywall or other combustibles may not be placed over the drywall standoff.

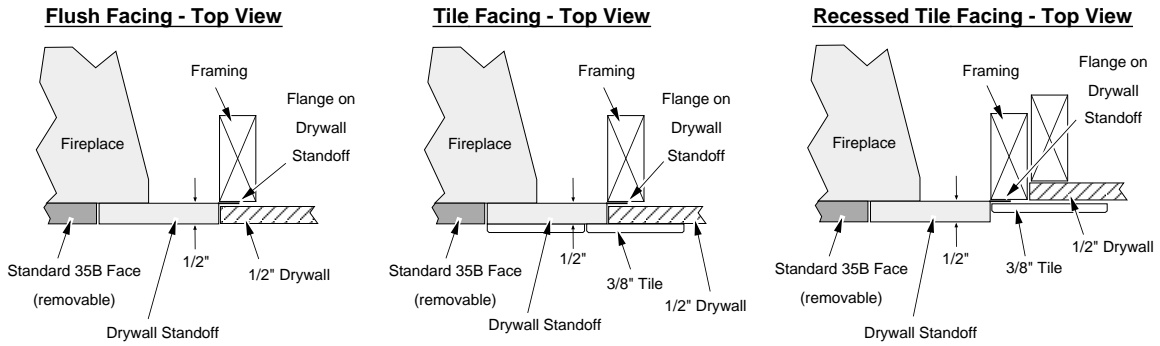
NOTE: No drywall or other combustible may protrude farther than 3/4" in front of the drywall standoff. Any combustible material that protrudes 3/4" or more from the drywall standoff must meet the mantel clearance (if located above the fireplace) or sidewall clearance (if located to the side of the fireplace – see the illustration below).

HINT: Holes are provided in the drywall standoff to attach the standoff to the framing members. This stabilizes the standoff and allows the drywall to be anchored to the framing members.



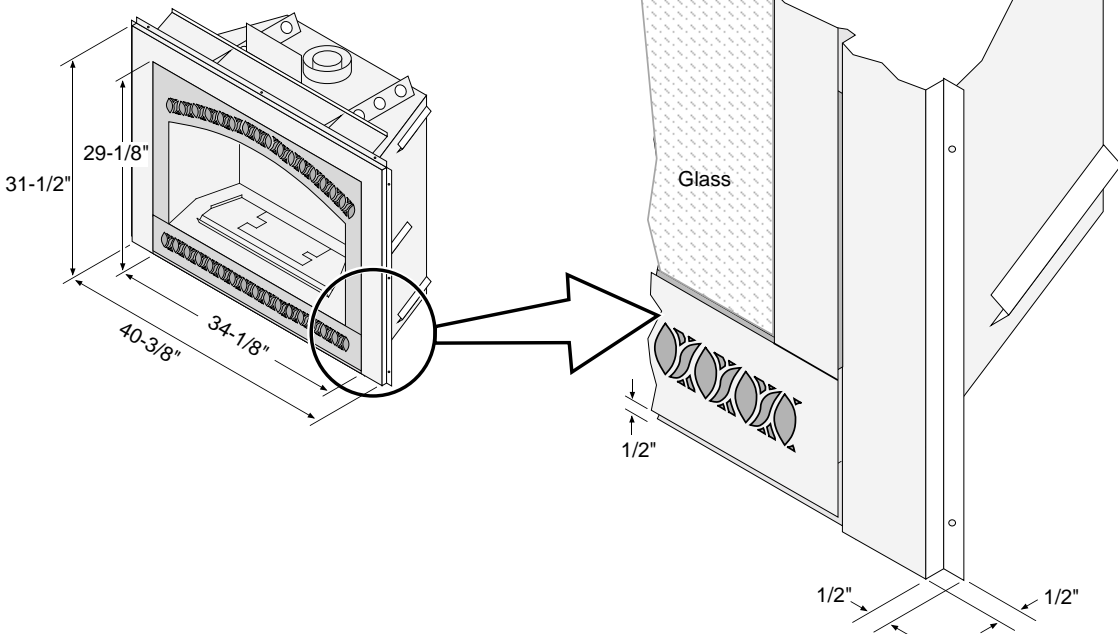
NOTE: Mask off the front of the fireplace to keep drywall dust from entering the fireplace. These particles, when heated, may cause odors or cause other problems.

Facing Detail for 35 CB Face



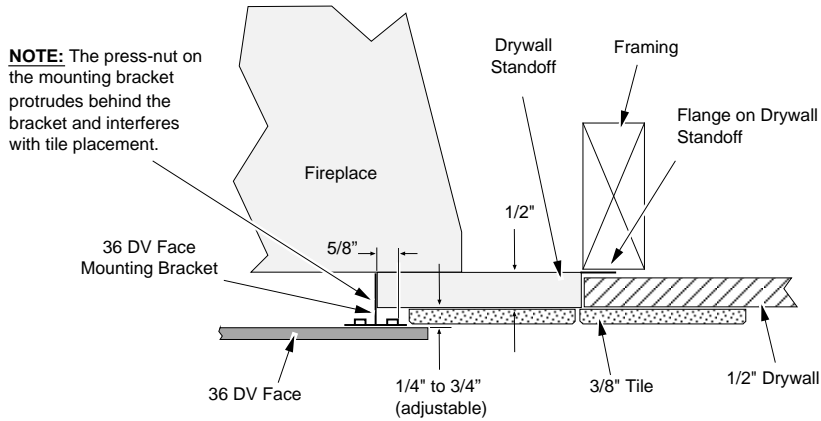
NOTE: The framing must line up with the flange on the drywall standoff - this provides stability for the standoff and the drywall.

DIMENSIONS OF DRYWALL STANDOFF:



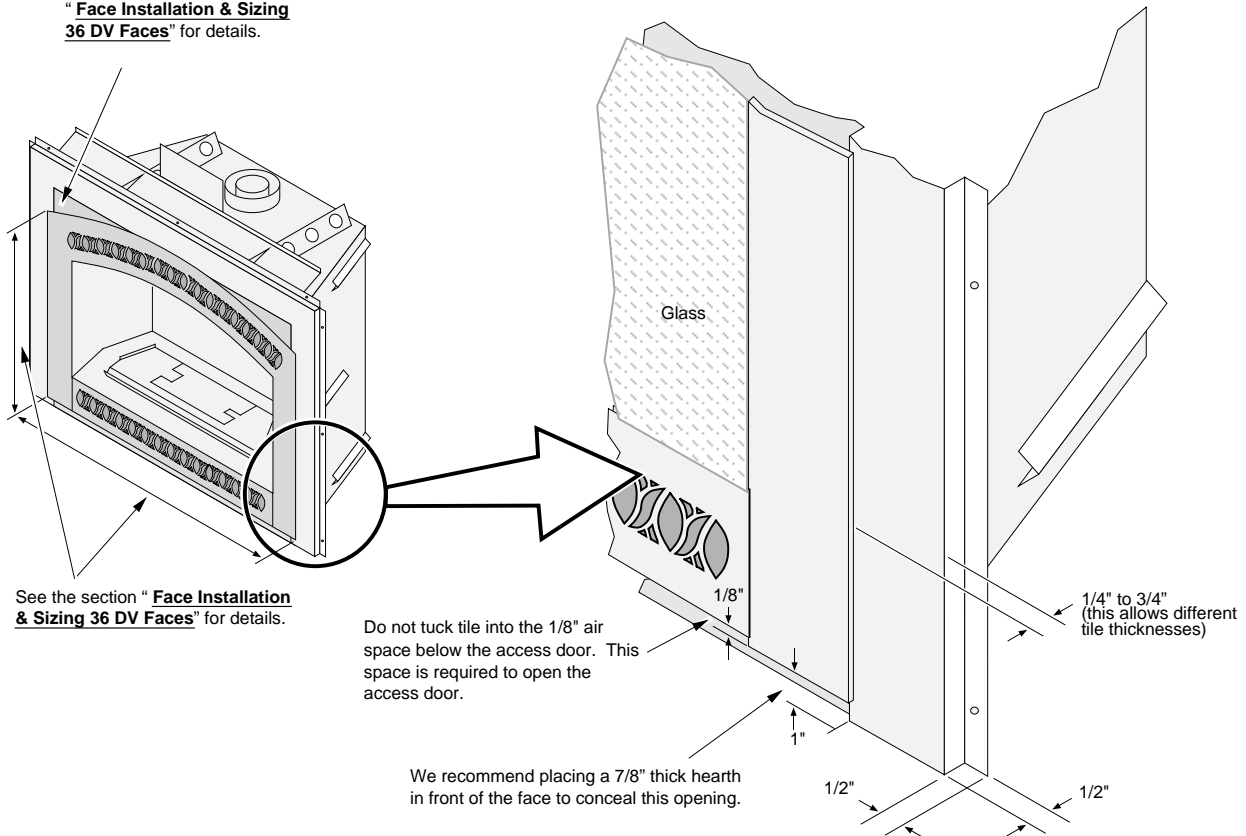
Facing Detail for 36 DV Faces

Tile Facing - Top View

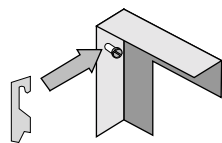


NOTE: The framing must line up with the flange on the drywall standoff - this provides stability for the standoff and the drywall.

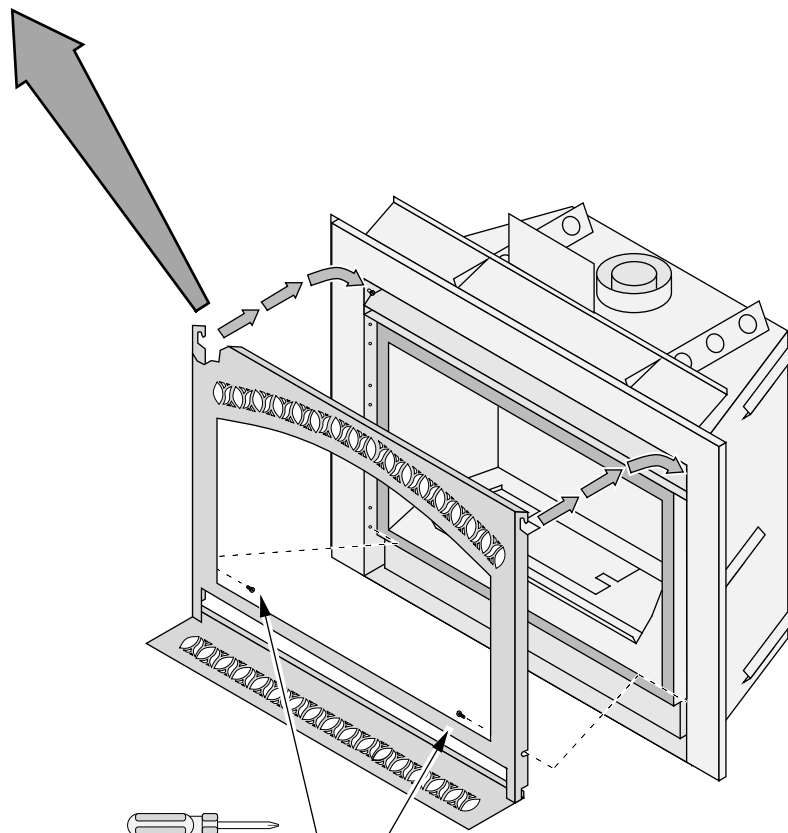
Facing Cover - see the section "**Face Installation & Sizing 36 DV Faces**" for details.



Face Installation - 35 CB Face



Hang the 35 CB Face on the screws and bushings at the top inside of the drywall standoff.



Phillips
Screwdriver

Secure the face with these two screws (the screws are attached to the fireplace).

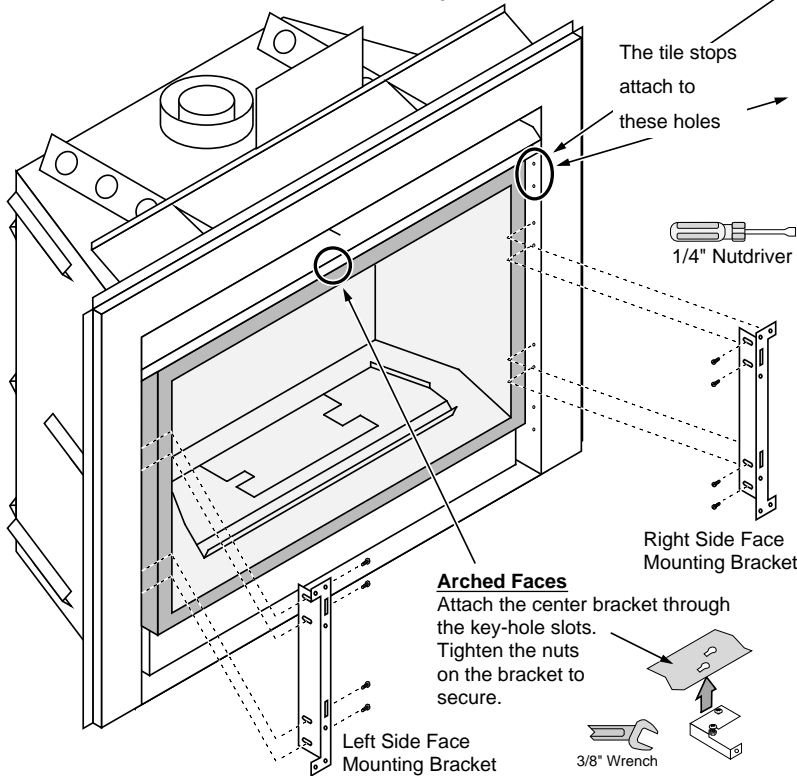
Face Installation & Sizing - 36 DV Faces (requires part # 98500536)

Steps for installing 36 DV Faces

- With the fireplace in place and glass removed, install the tile stop for the type of face used (see illustration to the right) - included with kit # 98500536.
- Install the face mounting brackets (included with kit # 98500536).
- Install the tile (or other non-combustible facing). Make sure tile does not interfere with the press-nuts on back of the mounting brackets (see page 12).
- Slide the mounting brackets all the way back against the facing.
- Install the face using the instructions included with the face, disregarding any bracket instructions. Refer to the illustration of the bracket (below right) to determine the correct hole or slot for attaching the face to the brackets.

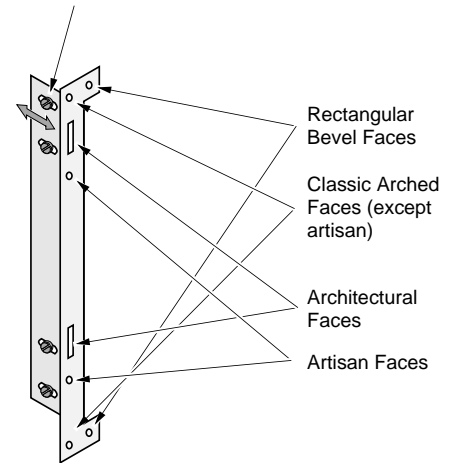
Tile Stop for Arched Faces

Tile Stop for Rectangular and Architectural Faces

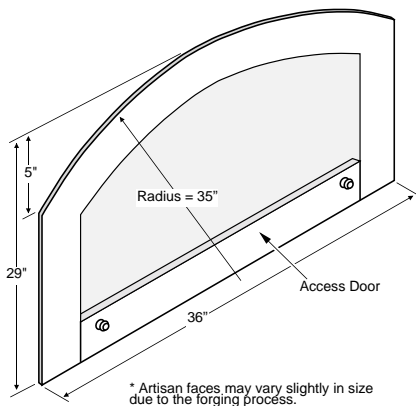


Detail of Mounting Bracket

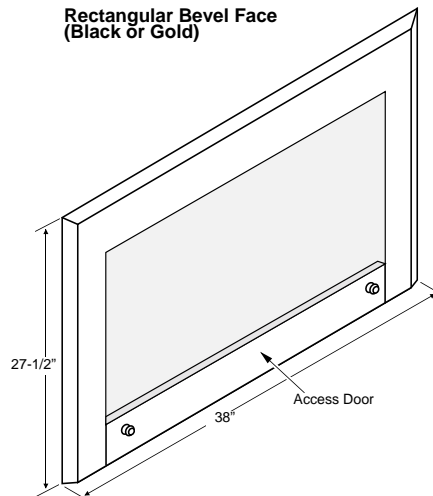
These holes in the mounting brackets are slotted to allow for different thicknesses of tile (or other non-combustible facing).



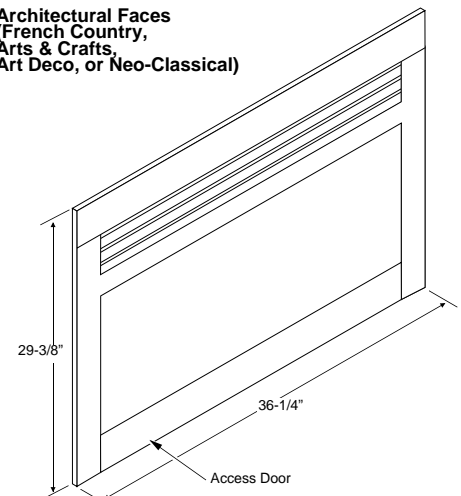
Classic Arched (Gold, Black, or Artisan*)



Rectangular Bevel Face (Black or Gold)

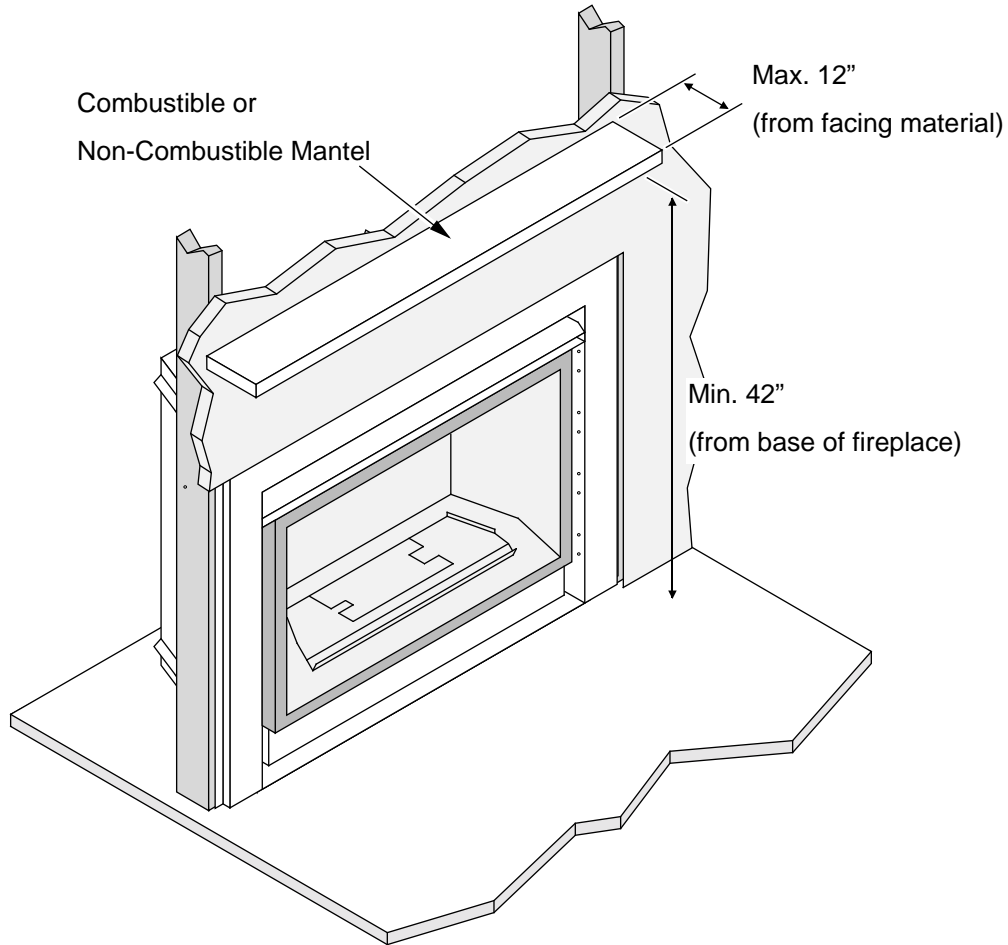


Architectural Faces (French Country, Arts & Crafts, Art Deco, or Neo-Classical)



Mantel Requirements

- Any combustible material above the face must not protrude more than 3/4" from the facing material. If it does, it is considered a mantel and must meet the mantel requirements listed below.



Vent Requirements

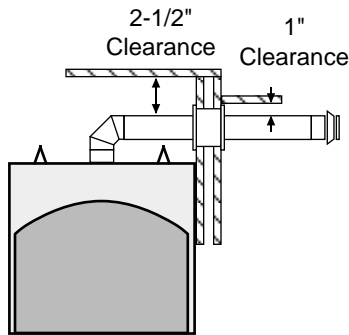
- ! The vent must maintain the required clearance to combustible materials to prevent a fire (see "Clearances" below). Do not fill air spaces with insulation.
- ! The gas appliance and vent system must be vented directly to the outside of the building, and never be attached to a chimney serving a separate solid fuel or gas-burning appliance. Each direct vent gas appliance must use its own separate vent system.

Altitude Considerations

This fireplace has been tested at altitudes ranging from sea level to 8,000 feet (2,400 M). In this testing we have found that the fireplace, with its standard orifice, burns correctly with just an air shutter adjustment.

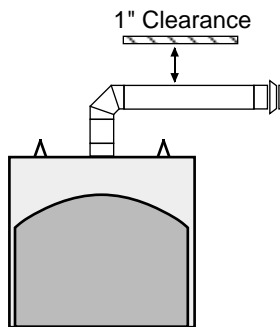
- ! Failure to adjust the air shutter properly may lead to improper combustion which can create a safety hazard. Consult your dealer or installer if you suspect an improperly adjusted air shutter.

Clearances



When using an elbow directly off the top of the fireplace, the following requirements apply:

- A wall thimble is required when the vent passes through the first wall
- Minimum 2-1/2" clearance above the vent before the wall thimble (1" clearance to the sides and bottom of the vent).
- Minimum 1" clearance (in all directions) to the vent after the thimble.



With vertical vent (or a 45° offset) directly off the top of the fireplace, the following requirements apply:

- Firestops or other non-combustible means of support may be used when passing through a wall
- Minimum 1" clearance (in all directions) to the vent.

Vent Part Numbers

- Use Model GS Direct Vent manufactured by Simpson Dura-Vent **only**. Follow the installation instructions included with the vent. For the nearest Simpson Dura-Vent supplier, call (800) 835-4429. Vent part numbers and descriptions are listed below.

Straight Lengths

908B	6" Pipe Length, Black (interior)
907B	9" Pipe Length, Black (interior)
906	12" Pipe Length, Galvanized
906B	12" Pipe Length, Black (interior)
904	24" Pipe Length, Galvanized
904B	24" Pipe Length, Black (interior)
903	36" Pipe Length, Galvanized
903B	36" Pipe Length, Black (interior)
902	48" Pipe Length, Galvanized
902B	48" Pipe Length, Black (interior)
911B	11" to 14 5/8" Adjustable, Black (interior)

Vent Terminations

981	Snorkel Termination (36" rise) (for basement or raised termination installations)
982	Snorkel Termination (14" rise) (for basement or raised termination installations)
984	Horizontal Square Termination
950	Vinyl Siding Stand-off
991	High Wind Vertical Termination

Elbows

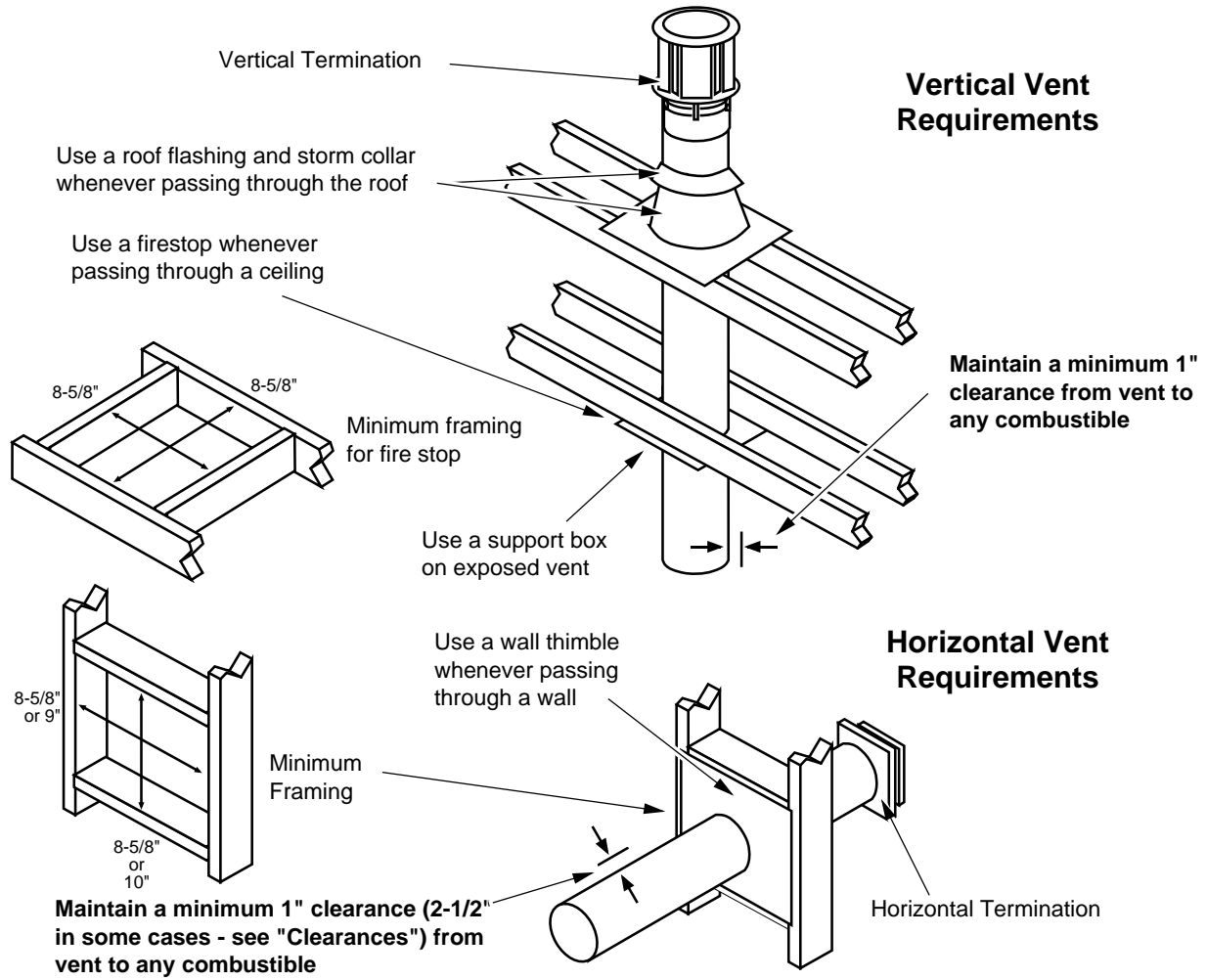
990	90° Elbow
990B	90° Elbow, Black (interior)

Penetration, Support

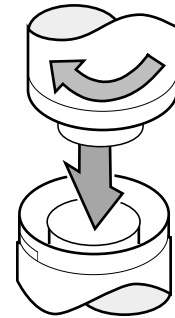
942	Wall Thimble
941	Cathedral Ceiling Support Box
943	Flashing, 0/12 to 6/12 Roof Pitch
943S	Flashing, 7/12 to 12/12 Roof Pitch
953	Storm Collar
963	Ceiling Fire-stop
988	Wall Strap

Vent Installation

- In addition to the requirements below, follow the requirements provided with the vent.



- Slide the vent sections together and turn 1/4 turn until the sections lock in place.
- Screws are not required to secure the vent. However, three screws may be used to secure vent sections together if desired.
- High temperature sealant is recommended at the appliance starter section connection (use high-temperature silicone or Mill-Pac®).
- If disassembly is required, at time of re-assembly check to see if the vent creates a tight fit. If it does not, apply high temperature sealant to the joints of the affected sections.
- Horizontal sections require a 1/4" rise every 12" of travel
- Horizontal sections require non-combustible support every three feet (e.g.: plumbing tape)



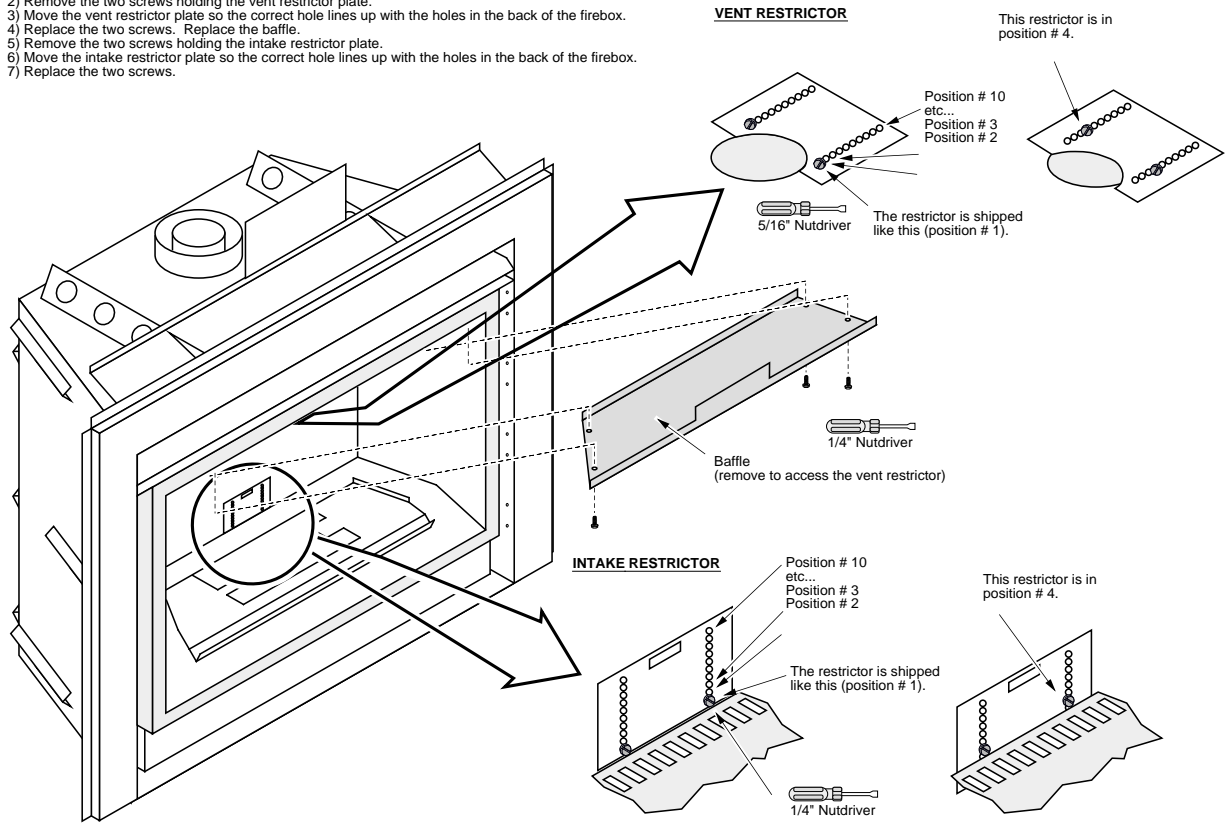
Approved Vent Configurations

Restrictor Position

- A vent and intake restrictor is built into the appliance to adjust the flow rate of exhaust gases. Depending upon the vent configuration, you may be required to adjust the restrictor position. The charts for acceptable vent configurations detail the correct vent restrictor position.

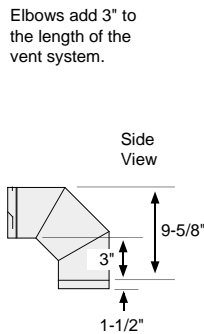
TO CHANGE THE RESTRICTOR (both intake & vent restrictor must be set to the correct position):

- 1) Remove the baffle
- 2) Remove the two screws holding the vent restrictor plate.
- 3) Move the vent restrictor plate so the correct hole lines up with the holes in the back of the firebox.
- 4) Replace the two screws. Replace the baffle.
- 5) Remove the two screws holding the intake restrictor plate.
- 6) Move the intake restrictor plate so the correct hole lines up with the holes in the back of the firebox.
- 7) Replace the two screws.



Elbows

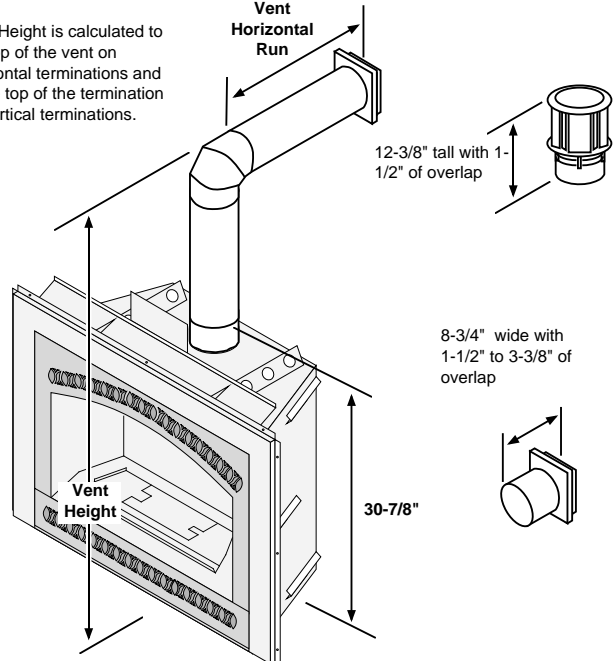
- See the vent configurations for details on how many elbows may be used and in what manner.



Elbows add 3" to the length of the vent system.

Vent Height is calculated to the top of the vent on horizontal terminations and to the top of the termination on vertical terminations.

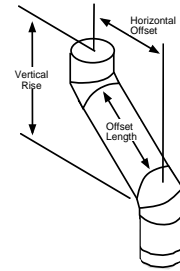
Vent Horizontal Run



Measuring Vent Lengths

Vertical Terminations with Zero, Two, or Four 45° Offsets

Offset Length	Hor. Offset	Vert. Rise
None	5"	1'
1' Section	1'	1' 7"
2' Section	1' 9"	2' 4"
3' Section	2' 5"	3'
4' Section	3' 2"	3' 8"

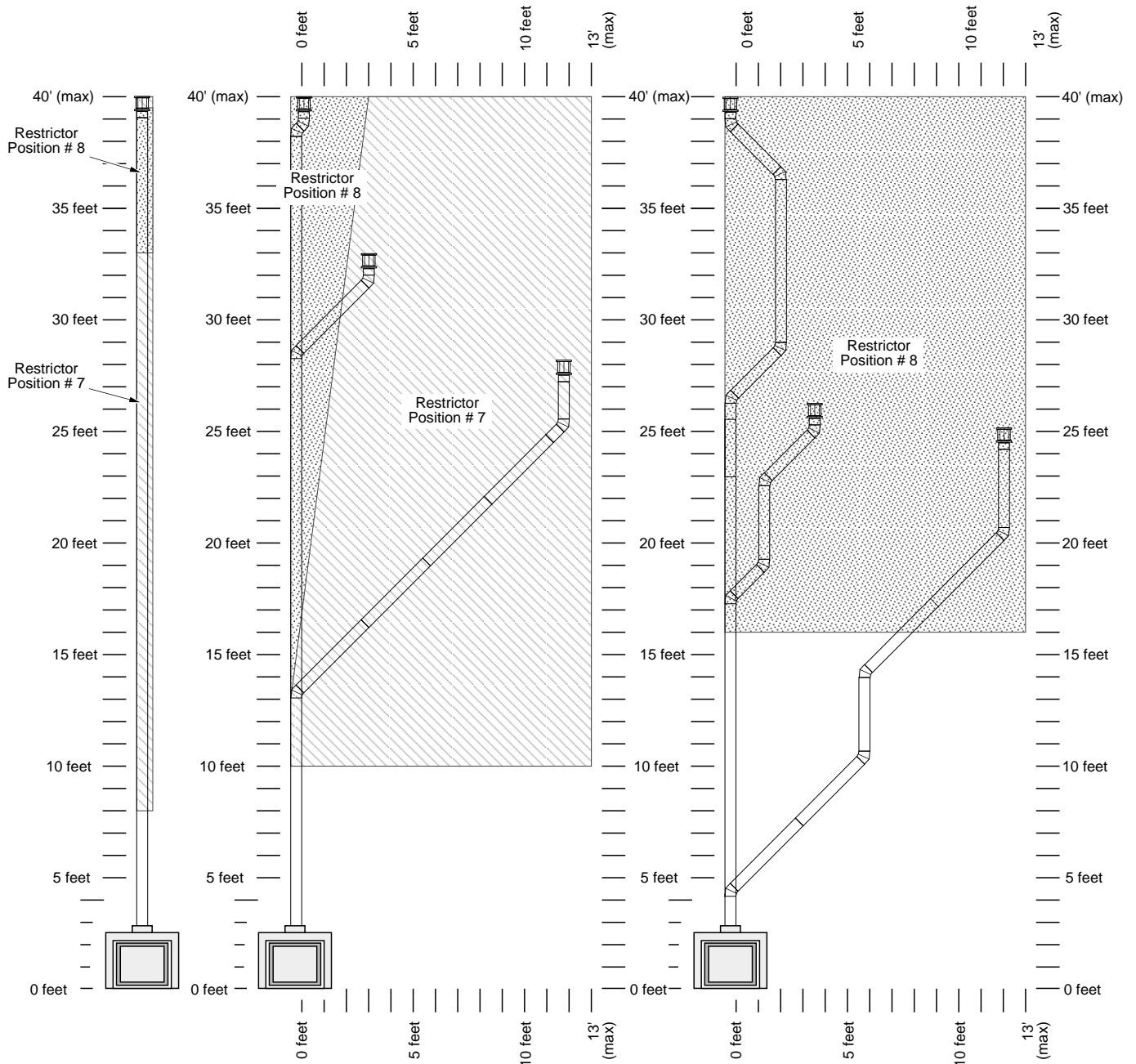


- The termination must fall within the shaded area shown in the chart. Use the indicated restrictor position.

Zero Offsets

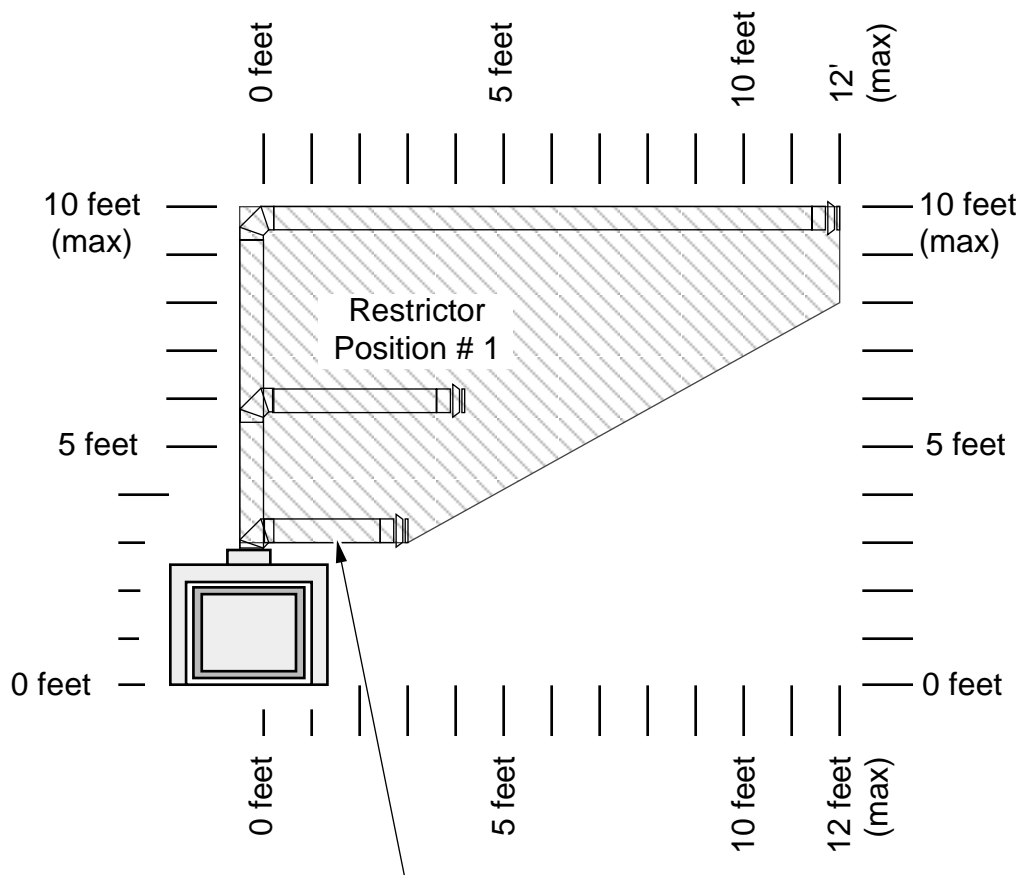
Two 45° Offsets

Four 45° Offsets



Horizontal Terminations with One Elbow

The termination must fall within the shaded area shown in the chart. Use the indicated restrictor position.



NOTE:

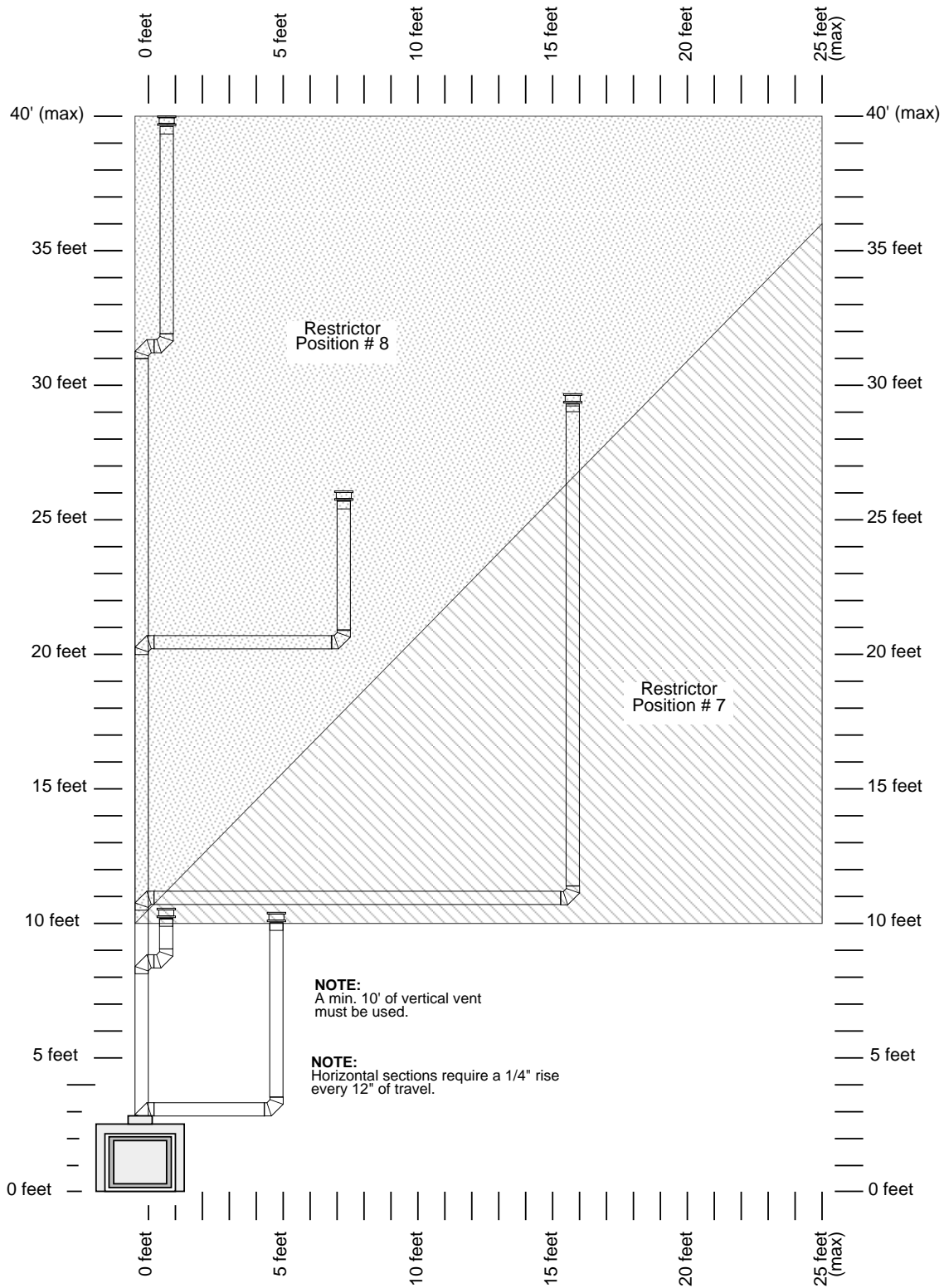
If an elbow is used directly off the fireplace, a 2-1/2" clearance above the vent is required.

NOTE:

Horizontal sections require a 1/4" rise every 12" of travel.

Vertical Terminations with Two 90° Elbows

The termination must fall within the shaded area shown in the chart. Use the indicated restrictor position.



Termination Requirements (see the illustration below)

! Venting terminals shall not be recessed into a wall or siding.

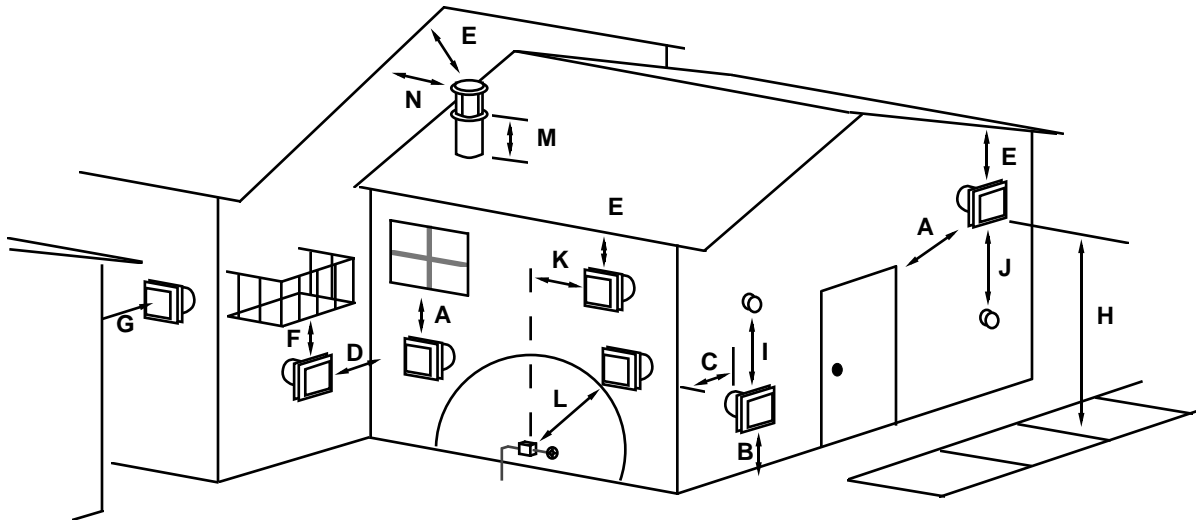
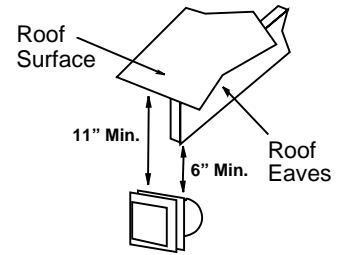
- A Minimum 9" clearance from any door or window
- B Minimum 12" above any grade, veranda, porch, deck or balcony
- C Minimum 12" from outside corner walls
- D Minimum 12" from inside corner walls
- E Minimum 11" clearance below unventilated soffits or roof surfaces
Minimum 18" clearance below ventilated soffits
Minimum 6" clearance from roof eaves

NOTE: Vinyl surfaces require 24"

- F Minimum 18" clearance below a veranda, porch, deck or balcony (must have two open sides)
- G Minimum 48" clearance from any adjacent building
- H Minimum 84" clearance above any grade when adjacent to public walkways or driveways
NOTE: may not be used over a walkway or driveway shared by an adjacent building
- I Minimum 48" clearance from any mechanical air supply inlet, 72" for Canada
- J Minimum 36" clearance above and 48" below and to the sides of non-mechanical air supply inlet
- K Minimum 36" from the area above the meter/regulator (vent outlet)
- L Minimum 36" from the meter/regulator (vent outlet)
- M Minimum 12" above the roof line (for vertical terminations)

***Note:** In Canada the vent termination must be a minimum 2' (.6 M) tall and 2' (.6 M) above any portion of the roof within 10' (3 M) of the vent.

- N Minimum 24" horizontal clearance to any surface (such as an exterior wall) – for vertical terminations



NOTE: Measure clearances to the nearest edge of the exhaust hood.

- Use the vinyl siding standoff (#1250) when installing on an exterior with vinyl siding.
- Vent termination must not be located where it will become plugged by snow or other material
- These clearances meet UMC-1994 and the CNA/CGA-B149 code standards.

Gas Line Requirements

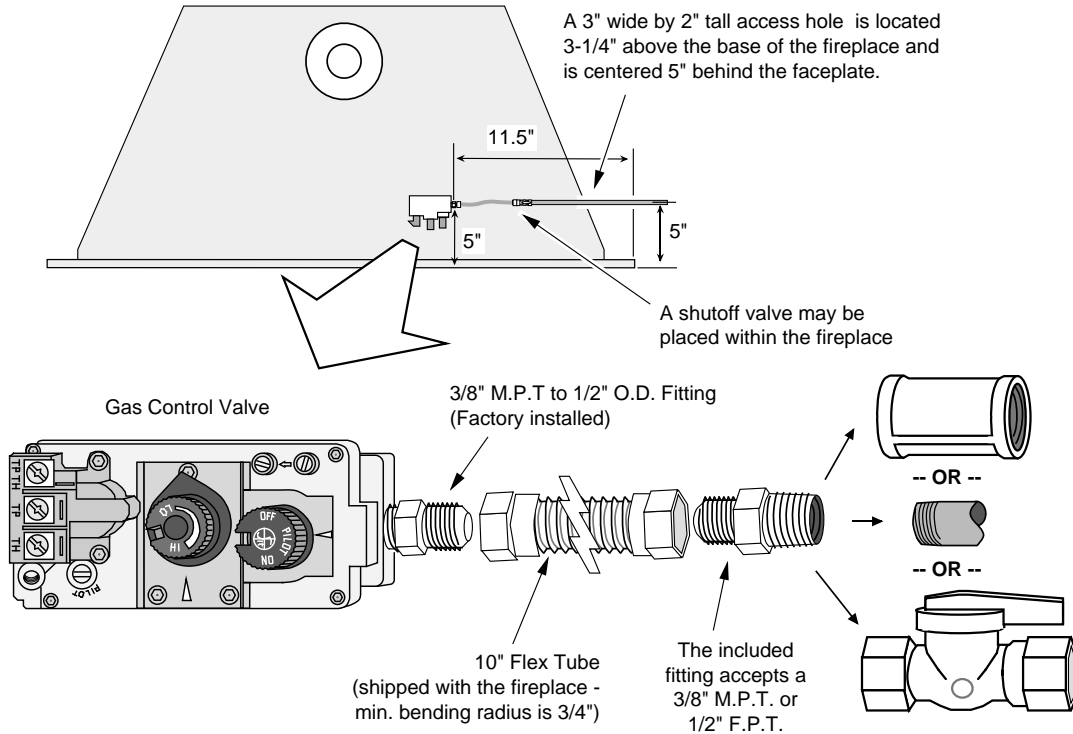
- ! The gas line must be installed in accordance with all local codes, if any; if not, follow ANSI 223.1 and the requirements listed below.
- ! The fireplace and gas control valve must be disconnected from the gas supply piping during any pressure testing of that system at test pressures in excess of 1/2 psig. For pressures under 1/2 psig, isolate the gas supply piping by closing the manual shutoff valve.
- ! Leak test all gas line joints and the gas control valve prior to and after starting the fireplace.

Fuel

- This fireplace is designed either for natural gas or for propane (but not for both). Check the sticker on the top of the gas control valve to make sure the correct fuel is used.

Gas Line Connection

- A manual shutoff valve is required for installation (within 3' of the heater or inside the fireplace). T-Handle gas cocks are required in Massachusetts in compliance with code 248CMR.



Gas Inlet Pressure:

	Standard Input Pressure
Natural Gas	7" W.C. (1.74 kPA)
Propane	13" W.C. (2.73 kPA)

- If the pressure is not sufficient, make sure the piping used is large enough, the supply regulator is adequately adjusted, and the total gas load for the residence does not exceed the amount supplied.
- The supply regulator (the regulator that attaches directly to the residence inlet or to the propane tank) should supply gas at the suggested input pressure listed above. Contact the local gas supplier if the regulator is at an improper pressure.

24 Finalizing the Installation (for qualified installers only)

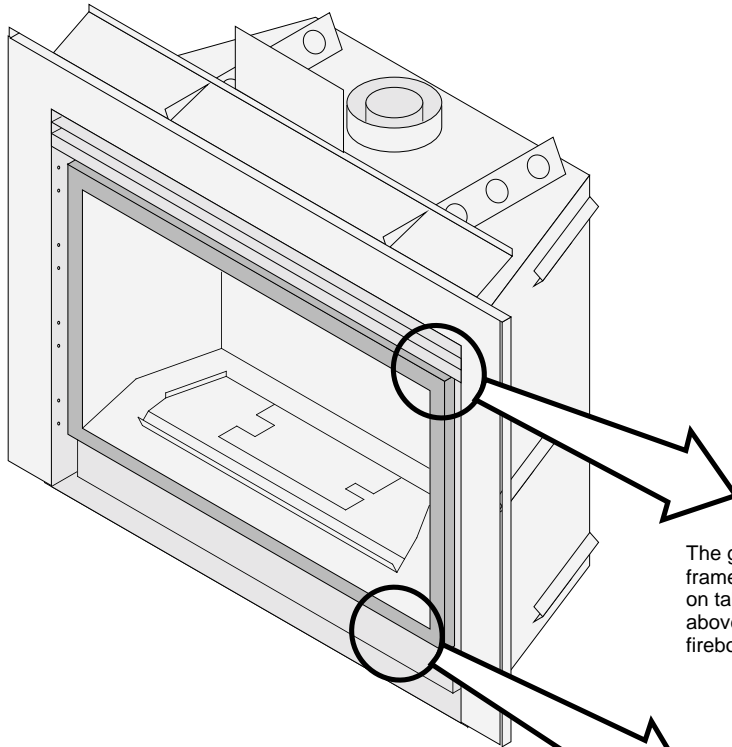
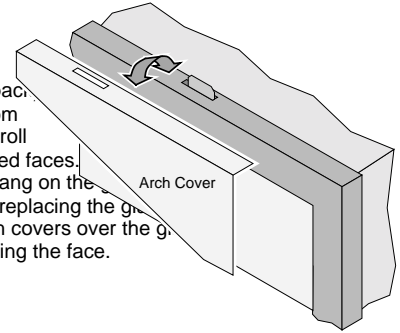
1 Remove the face (see page 13 or 14). Remove the glass assembly following the directions below.

Warning: The appliance must be completely cool before removing the glass.

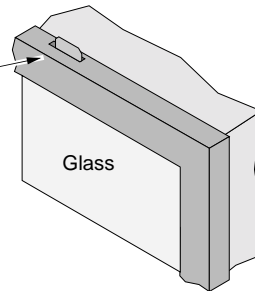
Warning: To prevent damage, do not abuse, strike, or slam the glass frame.

Note on Arch Covers (both sides)

The arch covers (included in the owner's pack) block light from exiting the scroll work on arched faces. The covers hang on the glass frame. After replacing the glass, hang the arch covers over the glass before attaching the face.



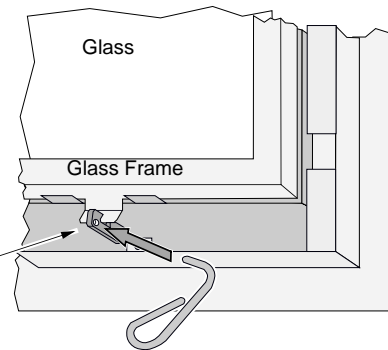
The glass frame hangs on tabs above the firebox.



a

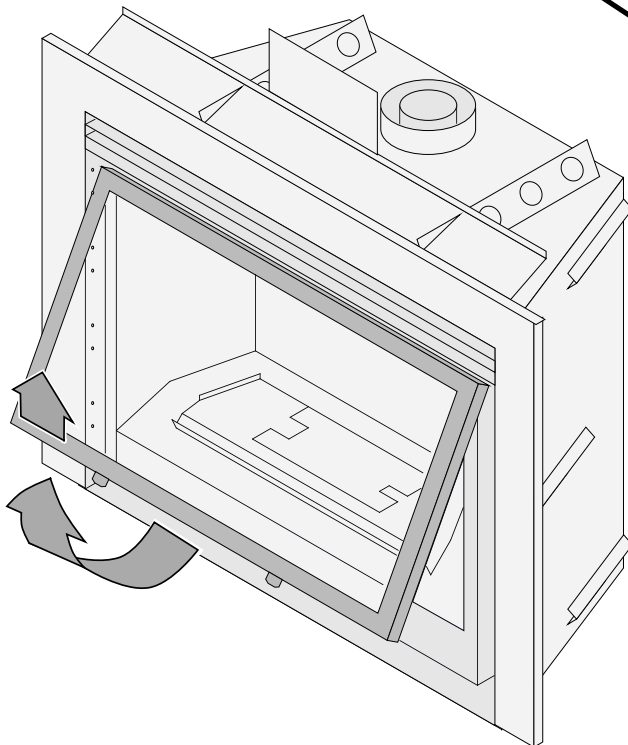
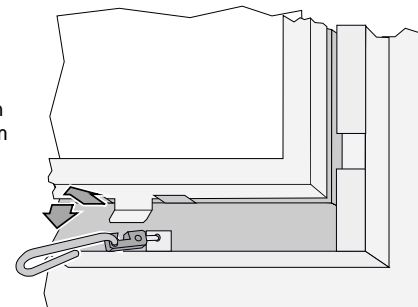
Insert the included glass latch tool into the hole on the glass frame latch.

Glass Frame Latch



b

Pull the latch out then down to detach it from the glass frame.



c

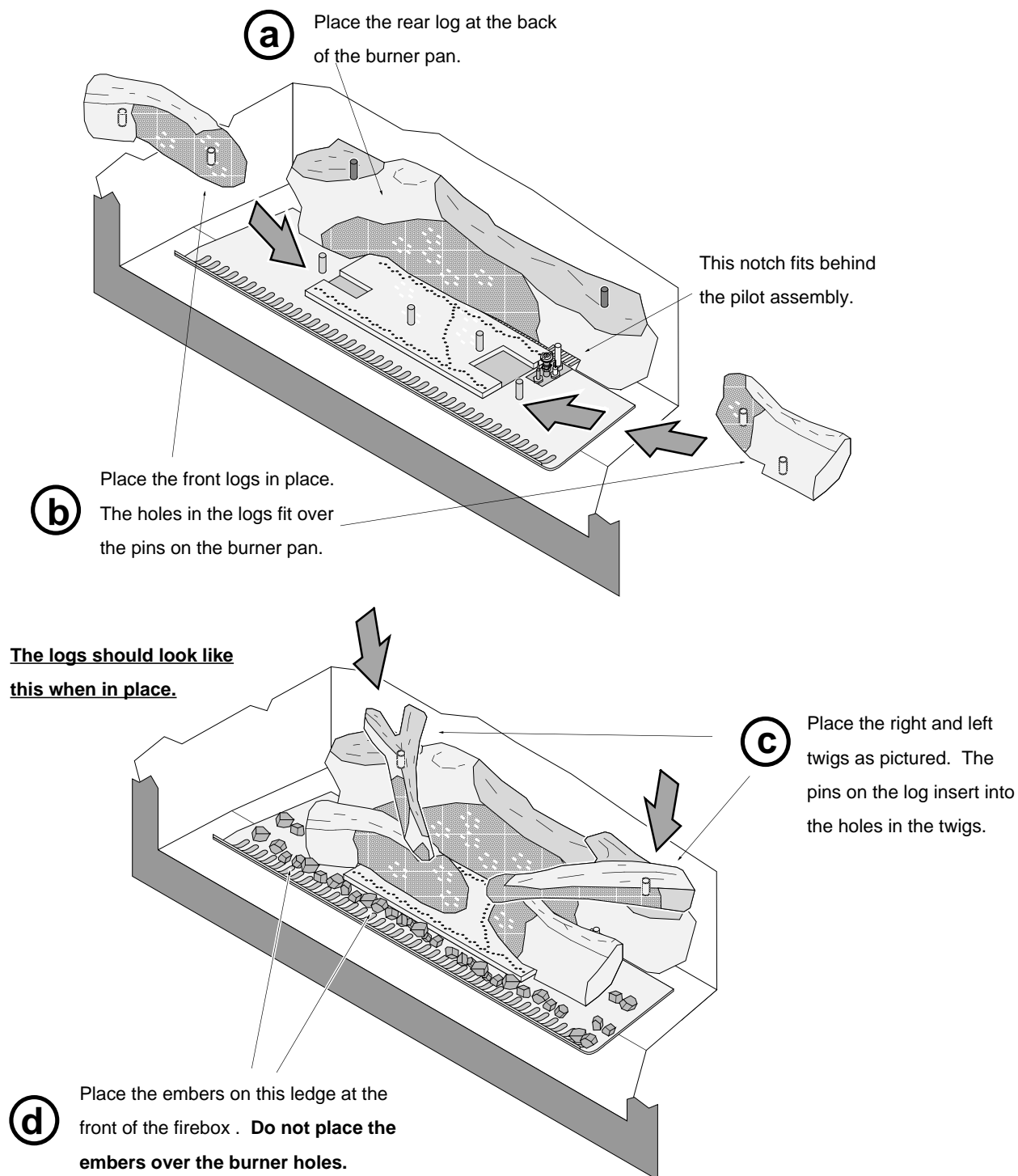
Swing the glass frame outwards then lift the it up and off the tabs at the top of the firebox.

Glass Replacement

Hang the glass assembly on the tabs at the top of the firebox. Secure the glass frame with the latches.

- ? If converting this unit to propane, do so now (see the instructions on page 38).
- ? If installing the fireback, do so now (see the instructions on page 41)
- 2 Install the log set, kibbles, and glowing embers (see the instructions included with the embers).

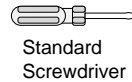
Warning: Failure to position the parts in accordance with these diagrams or failure to use only parts specifically approved with this appliance may result in property damage or personal injury.



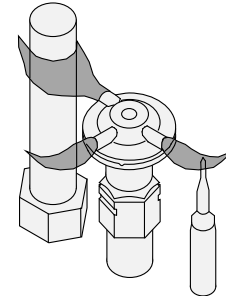
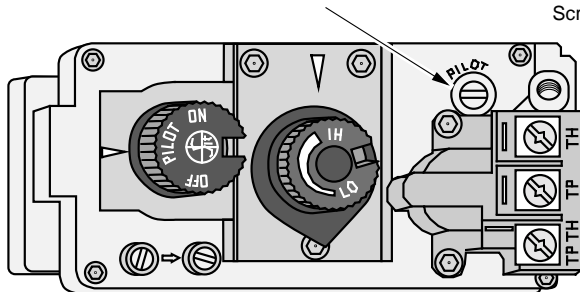
26 Finalizing the Installation (for qualified installers only)

- ! We recommend you purge the gas line at this time (with the glass removed). This allows gas to be detected once it enters the firebox, ensuring gas does not build up.
- 3 Turn on the gas to the fireplace. Turn on gas to the fireplace. Leak test all gas joints prior to starting the appliance. Start the pilot (see page 29). Start the main burner. Leak test all gas joints again.
- 4 Replace the glass frame.
- 5 Check the pilot flame to make sure it looks like the illustration below. Adjust the pilot flame if necessary.

To adjust the pilot flame, turn this screw (NOTE: if totally unscrewed gas will come out of this port). Clockwise lowers the flame while counter-clockwise raises it.



The pilot flame must contact the thermocouple and thermopile (see the illustration below). Adjust the pilot up or down as necessary.

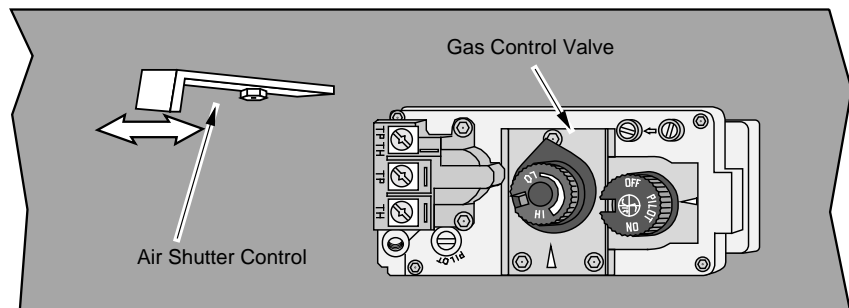


- 6 Let the fireplace burn for fifteen minutes. Adjust the rear air shutter, if necessary, to achieve the correct looking flame (see the illustration below).
- The air shutter adjusts the amount of air that mixes with the gas before it exits the burner holes. It is used to fine-tune the flame for differences in altitude and vent configuration.

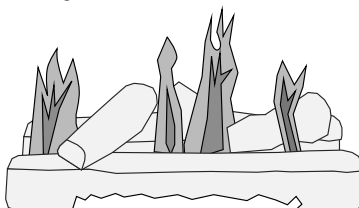
ADJUSTING THE AIR SHUTTER

Pushing to the left gives the flame less air (making it more orange). Pushing to the right gives the flame more air, making it more blue. For fine adjustments use a screwdriver to tap the air shutter.

NOTE: If the air shutter is all the way open, yet the flames remain sooty, shut off gas to the fireplace and contact a qualified gas service technician.

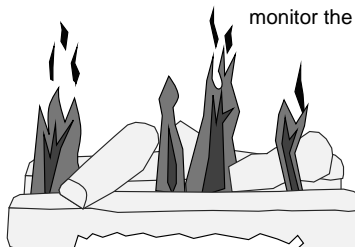


NOTE: The logs must be installed correctly to monitor the flame while adjusting the air shutter.



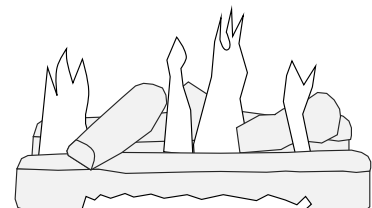
Correct

Flames should be blue at the base, yellow-orange on the top.



Not Enough Air

If the flames are over 14" tall or sooty on the ends, open the air shutter.

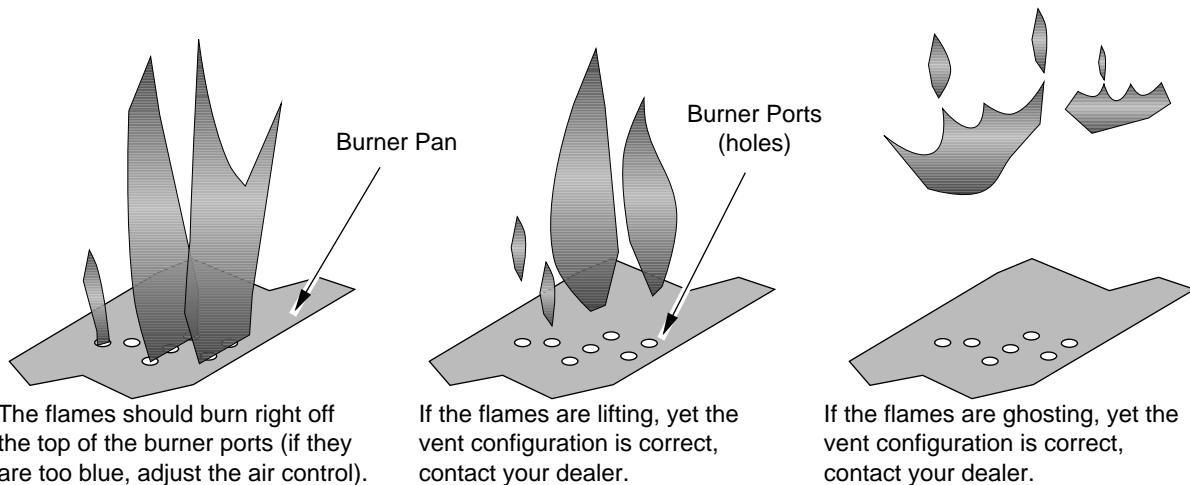


Too Much Air

If the flames are all blue and short, close the air shutter.

- ! If the air shutter is in its fully open position, yet the flames remain sooty, shut off gas to the fireplace and contact your Travis Industries Dealer for a remedy.

- ! If the vent configuration is installed incorrectly the vent may cause the flames inside the fireplace to lift or "ghost" – a dangerous situation. Inspect the flames after installation to insure proper performance. If the vent configuration is correct, yet the flames are lifting or ghosting, shut off gas to the fireplace and contact the dealer for information on remedying the problem.
- ! This fireplace has been tested at altitudes up to 8,000 feet. In this testing we have found that the fireplace, with its standard orifice, burns correctly with just an air shutter adjustment. If local codes require resizing the orifice, in the U.S.A. refer to ANSI 223.1, Appendix P, in Canada B-149.1 or B-149.2
- ! **Failure to properly adjust the air shutter may lead to improper combustion and a safety hazard. Consult your dealer or installer if you suspect an improperly adjusted air shutter.**



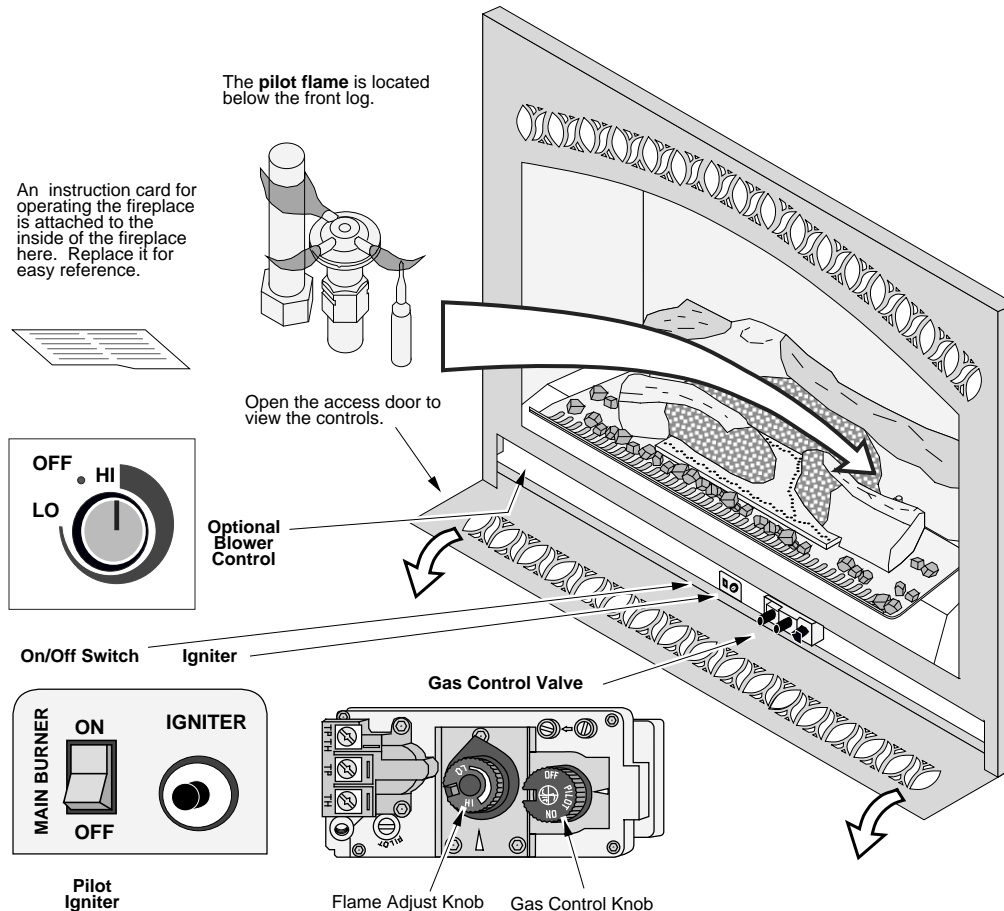
- 7 Turn the flame adjust knob to its highest position - the flames should not lift or soot. Check the flame on low position. The flames should burn off of each burner hole. If the heater does not work correctly, contact your dealer for a remedy.
- 8 Give this manual to the home owner and fully explain the operation of this heater.

Before You Begin

Warning: Read this entire manual before you use your new fireplace (especially the section "Safety Precautions" on pages 2 & 3). Failure to follow the instructions may result in property damage, bodily injury, or even death.

Warning: Do not operate appliance with the glass front removed, cracked or broken. Replacement of the glass should be done by a licensed or qualified service person.

Location of Controls - See explanation below



Optional Blower Knob This knob controls the speed of the internal convection blower that pushes the heated air into the room.

On/Off Switch This control is used to turn the fireplace on and off.

Pilot Igniter The pilot igniter is used only to start the pilot. When pressed, it sends an electrical charge to the pilot assembly. This creates a blue spark directly next to the pilot, igniting the pilot flame.

Gas Control Knob This knob controls gas to the stove and pilot. There are three positions: ON, OFF, and PILOT. The indicator line is to the right of the knob.

Flame Adjust Knob This knob controls the flame height from low ("LO") to high ("HI"). The indicator line is below the knob.

? If using a remote control or thermostat, the On/Off Switch must be left "ON". Turning the On/Off Switch "OFF" will keep the fireplace off always.

Starting The Pilot Flame

The pilot flame is required to ignite the main burners (it also plays a safety role). It should be left on once lit. It will stay lit unless the gas control valve is turned to "OFF". However, the pilot will go out if the gas is shut off, the propane tank runs out (or low) or if the stove malfunctions. If the pilot turns off frequently, call your dealer for information. To start the pilot follow the directions below:

WARNING:

When lighting or re-lighting the pilot, the glass must be removed (see page 24).

- a Remove the glass (see page 24 for details).
- b Push the gas control knob in slightly and turn it to the "OFF" position. The knob will not turn from "ON" to "OFF" unless the knob is depressed slightly. Wait five minutes to let any gas that may have accumulated inside the firebox escape. If you smell leaking gas, follow the directions on the cover "IF YOU SMELL GAS".
- c Turn the gas control knob to the "PILOT" position and press the knob in, this will allow gas to flow to the pilot light. Press the button on the pilot igniter repeatedly until you see the pilot light.

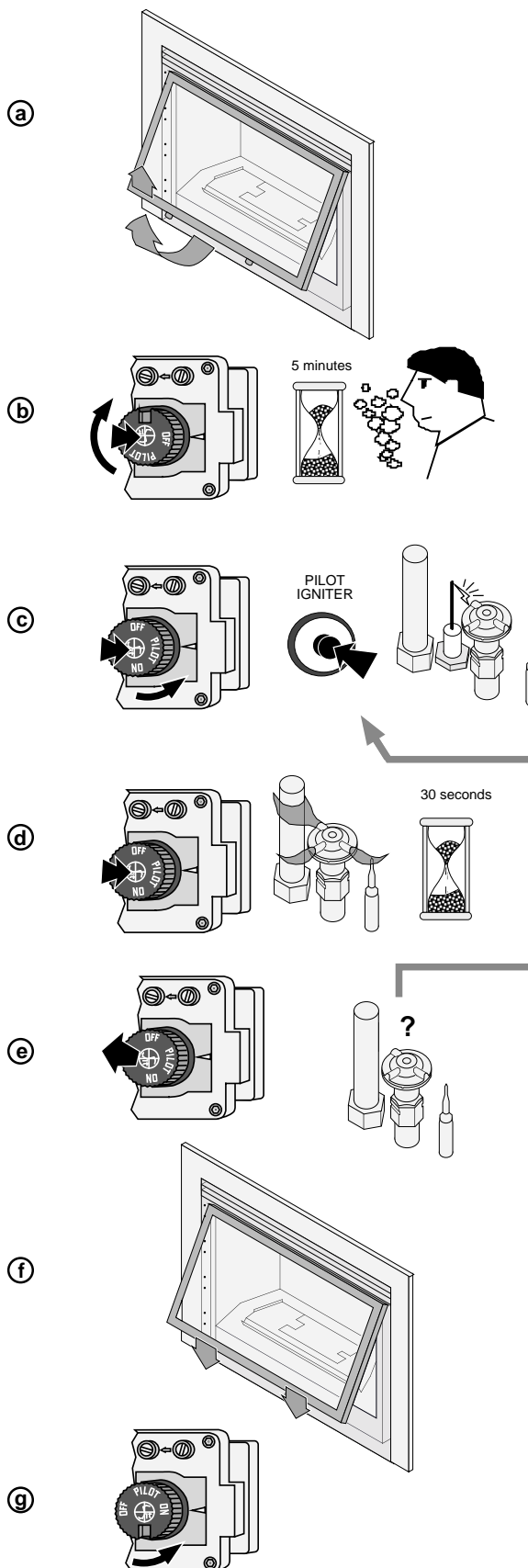
WARNING:

If the pilot does not light after 15 seconds, release the knob and call your dealer for service. Do not attempt to light pilot until service has been performed.

NOTE:

You may wish to remove the log set to gain a better view of the pilot (see page 25).

- d Keep the gas control knob depressed for 30 seconds once it is lit.
- e Release the gas control knob. If the pilot goes out, repeat step C. If the pilot refuses to stay lit, call your dealer for service. With the pilot lit, proceed to step "f".
- f Replace the glass.
- g Turn the gas control knob counter-clockwise to "ON". The pilot is now lit and the fireplace can be turned on and off.

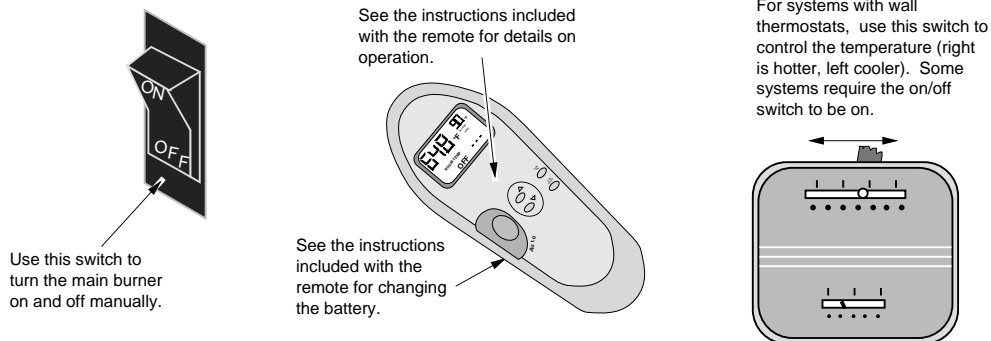


Starting the Fireplace for the First Time

- + Burn the fireplace at a high setting with the blower off for an extended period (up to 48 hours). This will cure the painted surfaces. **Fumes** from the paint curing and oil burning off the steel will occur. This is normal. We recommend opening a window to vent the room.
- + Dust may accumulate inside the convection area of the fireplace when left idle. Once the fireplace is re-started, a "smoky" smell may be created (similar to a baseboard fireplace when it is re-started).
- + **Condensation** may appear on the glass each time you start the fireplace - this is normal.
- + **Blue Flames** will occur on the fireplace when it first comes on. After fifteen minutes the flames will turn a more realistic yellow and orange color.
- ? Certain installations use a remote "wall switch" to turn the fireplace on and off. If this is the case, leave the ON/OFF switch "ON".

Turning the Fireplace On and Off

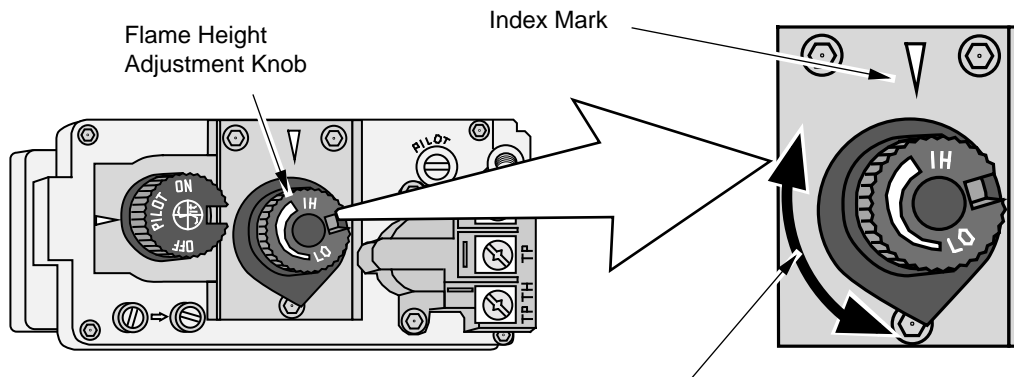
After the pilot has been started...



- ! Do not place any combustible items on top of or directly in front of the fireplace, even temporarily. The optional thermostat may start the fireplace causing a combustible item to ignite.
- ? If the fireplace turns on and off frequently while using the thermostat, you may want to adjust the flame height down until it produces just enough heat needed.

Adjusting the Flame Height

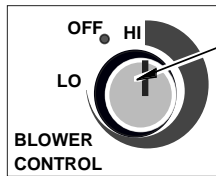
- + Your fireplace has an adjustable flame to tailor the look and heat output to your specific needs. It is adjusted by turning the middle dial on the gas control valve.



Turn counter-clockwise to adjust the flame higher, clockwise to lower.

Adjusting the Blower Speed (Optional)

The internal blower helps transfer the heat from the fireplace into the room. It will not turn on until the fireplace is up to temperature (approximately 10 minutes after starting). See the illustration below for instructions on adjusting the blower speed.



Blower Knob

Turn the knob all the way counter-clockwise to turn the blower off. One click clockwise turns the blower to high speed. Turning the knob clockwise from the high position decreases the speed of the blower.

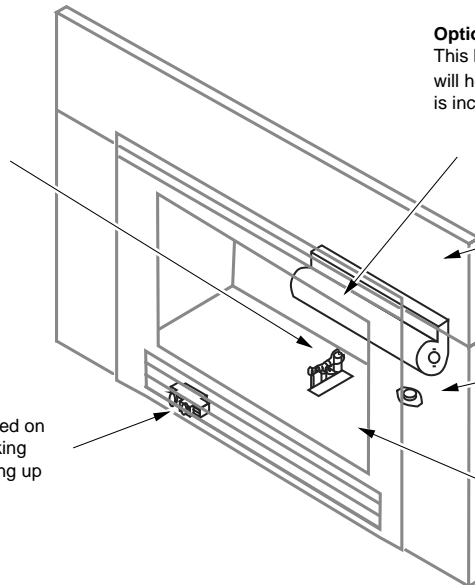
Normal Operating Sounds

Pilot Flame

The pilot flame, which remains on, makes a very slight "whisper" sound.

Gas Control Valve

As the gas control valve is turned on and off you will hear a dull clicking sound. This is the valve opening up and shutting down.



Optional Blower

This heater uses a blower to push heated air into the room. You will hear the sound of air movement that increases as the speed is increased.

The appliance will creak with change of temperature.

Blower Snap Disk

This part can produce a clicking sound as it turns the blower on and off.

Extinction Pops

It is not unusual, especially on Propane (LP) appliances, to experience a "pop" when the burner is shut off.

Normal Operating Odors

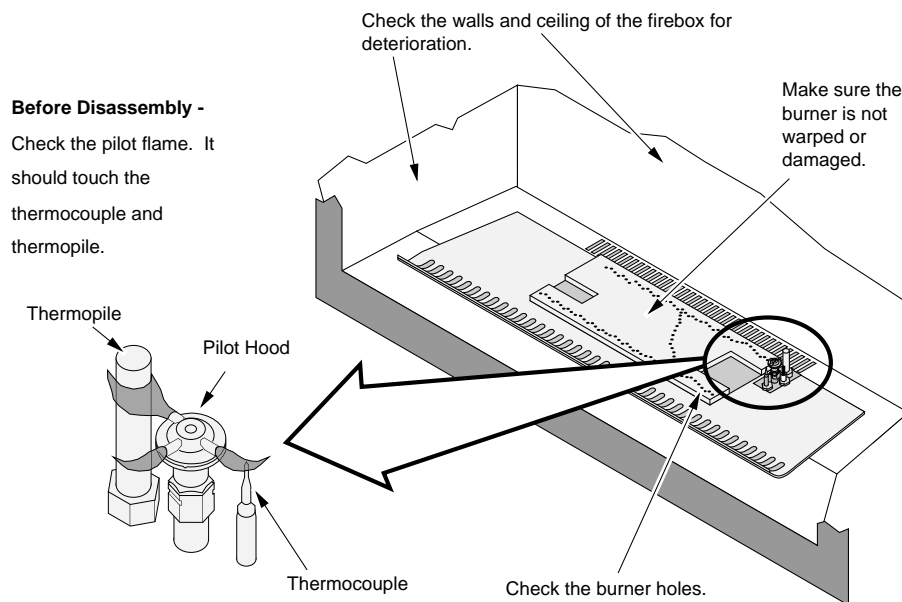
This appliance has several areas that reach high temperatures. Dust or other particles on these areas may burn and create an odor. This is normal during start-up. You may notice the smell is more acute if the appliance was left idle for a long period.

Maintaining Your Fireplace's Appearance

- ! Fingerprints or other marks left on the optional gold surface may become etched in place if they are not wiped clean prior to turning the fireplace on. Clean gold with denatured alcohol and a soft cloth (make sure the fireplace is cool). Other cleaners may leave a film that may become etched into the gold.
- Clean the glass with soap and water (do not use abrasive cleaners). To remove the glass, follow the instructions on page 24.

Yearly Service Procedure

- ! Failure to inspect and maintain the fireplace may lead to improper combustion and a potentially dangerous situation. The following procedures must be done by a qualified technician.
- 1 Check the pilot flame. It should touch approximately 3/8" of the top of the thermopile and touch the top of the thermocouple (see illustration below). If it does not, contact your dealer for service.
- 2 Shut off gas to the fireplace by turning the gas control knob to "OFF" (see step A under "Starting the Pilot" on page 29). Let the fireplace cool for 15 minutes. Remove the faceplate (see page 13 or 14) and glass (see page 24).
- 3 Remove the log set (**NOTE: the logs are very fragile** - see page 25). If severely deteriorated, replace. Check the logs for sooting. A small amount of soot along the bottom of the logs is normal. If excessive sooting is found, the fireplace will require adjustment. Contact your dealer.
- 4 Clean the burner tube (especially the burner holes) and inspect the following:
 - Check the burner for cracked holes, warpage, or corrosion.
 - Check the firebox and area around the pilot to make sure there is no warping or damage.
 - If any problem is found, discontinue use and contact your dealer for service.



- 5 Replace the log set. Replace the glass (if the glass is damaged, replace it). Make sure the gasket along the perimeter of the glass contacts the face of the firebox and forms an air-tight seal. If it does not, re-align or replace the gasket to insure an air-tight seal. Replace the faceplate.
- 6 Inspect the area behind the access door. Clean if necessary. Check the gas control valve and all of the gas lines. If any damage is found, discontinue use and contact your dealer for service.
- 7 Start the pilot and turn on the main burner. The flames should be orange/yellow and not touch the top of the firebox. If the pilot or main burners do not burn correctly, contact your dealer for service. Monitor the blower operation.
- 8 Inspect the glass. If damage is found, replace the glass (with frame) with Travis Industries glass assembly (glass installation is on page 24).
- 9 Remove any debris or vegetation near the vent termination. Contact your dealer if any sooting or deterioration is found near the vent termination. Clean the air channels and ducts.
- 10 Inspect the vent sections. If any sections are disconnected or require replacement, make sure to seal both inner and outer sections of pipe and secure the sections together with three sheet metal screws.

Troubleshooting Table

Problem:	Possible Cause:	Don't Call for Service Until You:
Pilot Will Not Light	A gas shut off valve is turned off _____ The gas control knob isn't turned to "PILOT" _____ The valve control knob isn't pushed in _____ The igniter wasn't pressed repeatedly _____ No Propane in Tank _____	Check all gas shut off valves See "Starting the Pilot Light" Step C See "Starting the Pilot Light" Step C See "Starting the Pilot Light" Step C Check Tank Level
Main Burners Will Not Start	The pilot light has gone out _____ The gas control valve is turned to "PILOT" or "OFF" _____ The ON/OFF switch is turned to "OFF" _____ The remote control is not working correctly _____ The thermostat is disconnected or set too low ____	See "Starting the Pilot Light" See "Starting the Pilot Light" Turn the ON/OFF switch to "ON" See the remote control instructions See "Thermostat Operation"
Remote Control Does Not Work	The pilot light has gone out _____ The gas control valve is turned to "PILOT" or "OFF" _____ The ON/OFF switch is turned to "OFF" _____ The remote is too far away from the fireplace _____ The remote control receiver is turned "Off" _____ One of the two remote control batteries is dead ___	See "Starting the Pilot Light" See "Starting the Pilot Light" Turn the ON/OFF switch to "ON" Use the remote closer to the fireplace See the remote control instructions See the remote control instructions
Thermostat Does Not Work	The pilot light has gone out _____ The gas control valve is turned to "PILOT" or "OFF" _____ The ON/OFF switch is turned to "OFF" _____ The thermostat is set too low _____	See "Starting the Pilot Light" See "Starting the Pilot Light" Turn the ON/OFF switch to "ON" See "Thermostat Operation"
Fireplace Will Not Distribute Heat	The fireplace is not getting electricity _____ The fireplace is not up to temperature _____	Check the breaker switch See "Operating Your Fireplace"
Pilot Goes Out Once A Month Or More	The gas supply has been shut off _____	Keep the gas supply turned on
Flames Are Too Blue	The fireplace has just been started _____ Improper air shutter adjustment _____	This is normal - see "Starting the Fireplace for the First Time" Adjust Air Shutter - contact your dealer
Flames Are Too Short (Under 6")	The flame height may be turned too low _____	Turn the flame height to "HI" - See "Adjusting the Flame Height"
Thin Layer of Soot Covers the Glass	The logs or coals are placed incorrectly _____ Improper air shutter adjustment _____	See "Log Set Installation & Removal" Adjust Air Shutter - contact your dealer

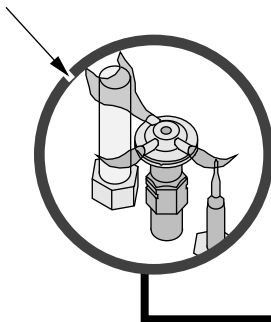
How this Fireplace Works

- ! This fireplace was designed with safety as the primary concern. Many of the components inside this fireplace are for safety purposes. Therefore, only certified gas service technicians should service this fireplace.

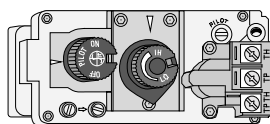
What Turns the Main Burners On and Off

This fireplace uses a millivolt system to control its operation (a millivolt is a very small amount of electricity). The thermopile and thermocouple generate electricity when heated by the pilot flame. This electricity is used to operate the gas valve. Without enough electricity, the gas valve will not turn on. That is why when starting the pilot the gas control knob has to be pressed in long enough for the thermocouple to heat up and generate enough electricity. The thermopile provides power for the ON/OFF switch, remote control, or thermostat (see the illustration below). Because the thermopile generates the electricity needed to turn the fireplace on and off, this fireplace can be operated when the power is out (although the blower will not run).

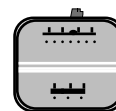
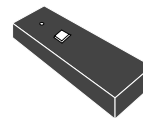
When heated, the thermopile generates electricity (a very small amount measured in "Millivolts").



This electricity is used to operate the main burners.



The main burners are switched on and off using the electricity generated by the thermopile. The ON/OFF switch, remote control, or thermostat control the circuit to the main burner.

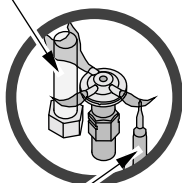


What Prevents Gas Buildup

- + This appliance utilizes a high-technology gas valve in conjunction with a pilot flame to ensure no gas builds up inside the firebox.
- + The thermocouple (next to the pilot) senses when the pilot flame is lit. If the pilot flame goes out, this thermocouple no longer generates electricity, causing the gas valve to automatically shut off all gas to the fireplace, preventing the pilot from spilling gas into the firebox.

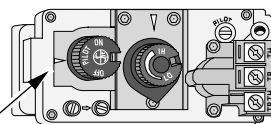
Pilot Flame

The pilot flame is a time-proven component that eliminates the possibility of gas buildup inside the firebox.



Gas Valve

This high-technology valve automatically shuts off all gas if it does not receive a signal from the thermocouple. If any component is damaged or sensing a malfunction, or if the wiring is damaged, it will shut off all gas.



External Shut Off Valve

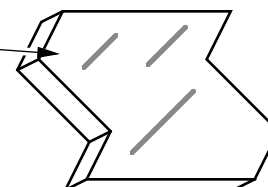
This valve is placed on the gas line to shut off gas to the appliance during maintenance procedures.

Thermocouple

The thermocouple generates a small amount of electricity. If the pilot flame goes out, the gas valve automatically shuts off all gas.

Ceramic Glass

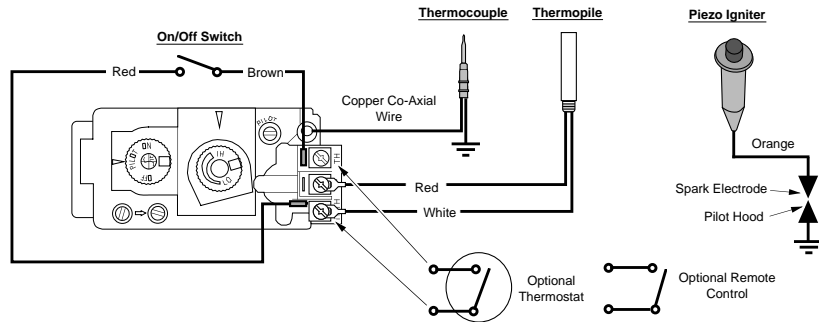
The glass in your heater is the most durable glass available. It has been tested to be extremely resistant to breakage from temperature changes.



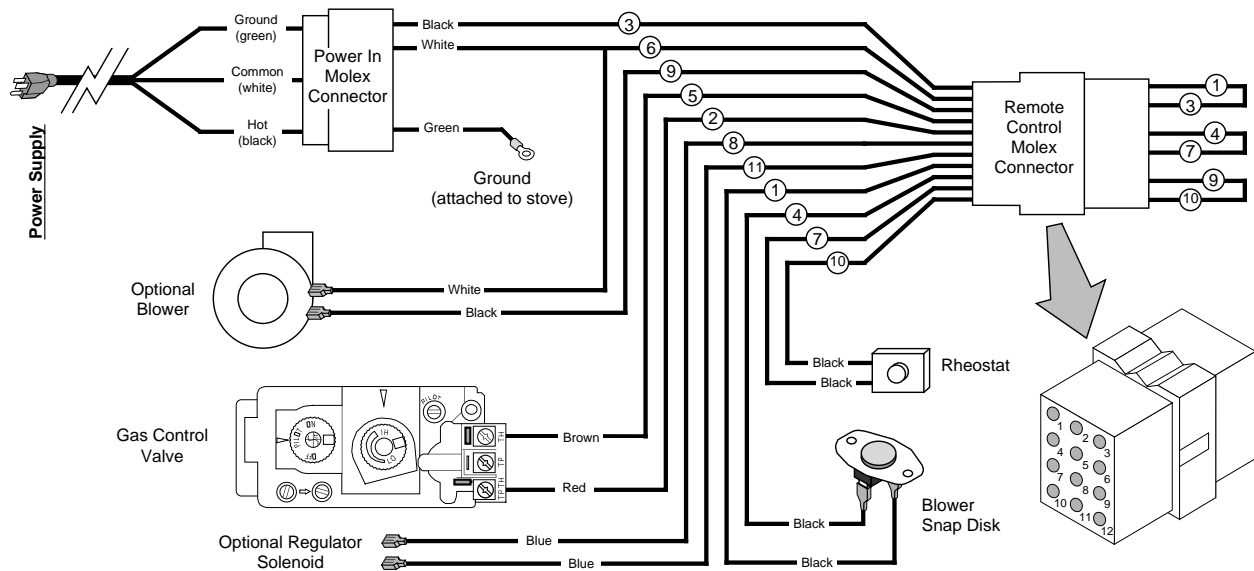
Wiring Diagram

Caution: Label all wires prior to disconnection when servicing controls. Wiring errors can cause improper and dangerous operation.

Millivolt Wiring (for gas control valve)



120 Volt Wiring




Replacement Parts List

Caution: Use only Travis Industries replacement parts. Do not use substitute materials.

93006512	Air Shutter, Assembly	98900747	On/Off Switch, Small, 1996 & Later Gas Models
93006912	Air Shutter Control Arm	93006855	Orifice, Burner, #43 - 35-CB, DVL I/II
93006911	Air Shutter, Control Bracket	93006856	Orifice, Burner, #54 - FPX 35-B
93006910	Air Shutter Sleeve	98900751	Piezo Igniter, All Gas Units
98900755A	Blower, Convection	93006516	Pilot Assembly, LP (S.I.T.) - DVS I/II, DVL I/II, 35-CB
93005017	Blower, Convection, Rubber Grommets	93006515	Pilot Assembly, NG (S.I.T.) - Berkshire/Prairie
93006700	Burner Assembly	93006523	Pilot Electrode, S.I.T. Pilot Assemblies
93006511	Burner, Mixing Tube	93006517	Pilot Hood, Removeable - S.I.T. Pilot Assemblies 2000
93006506	Control Valve, Natural Gas (NG) - SIT 2000	93006509	Pilot Injector, LP (#35) - S.I.T. Pilot Assemblies 2000
93006507	Control Valve, Propane (LP) - SIT 2000	93006508	Pilot Injector, NG (#62) - S.I.T. Pilot Assemblies 2000
93006053	Embers, Rock Wool Fiber	93006522	Pilot Tube, S.I.T. Pilot Assemblies
91002562	Flex-pipe, 1/2" x 10' - Inlet To Valve	99300656	Power Cord w/Molex Connector
91002560	Flex-pipe, 3/8" x 10' - Valve to Manifold	93006525	Regulator, LP - Modulating Remote Option
93006706	Flue, Starter Section - FPX 35-CB	93006500	Regulator, Natural Gas (NG), for SIT valve
93006703	Gas, Burner O-Ring - DVS I/II, 35-CB	93006526	Regulator, NG - Modulating Remote Option
93006521	Glass, Latch Assembly	93006501	Regulator, Propane (LP), for SIT valve
93006704	Glass w/Frame Assembly	98900758	Rheostat, Blower - w/ Off, Gas & Wood - iSquarei
98900498	Copper Face Cleaning/Anti-Oxidation Kit	99300657	Rheostat Knob, Convection Blower
93006851	Log, Front, 2000 FPX 35-B	98900720	Snap Disk, 120 Degree - 2 Prong
93006852	Log, Left, 2000 FPX 35-B	98900516	Stove Pack, FPX 35-CB Fireplace #192
93006853	Log, Rear, 2000 FPX 35-B	93006519	Thermo-generator (Thermo-pile), S.I.T. Pilot Assemblies
93006854	Log, Right, 2000 FPX 35-B	93006518	Thermocouple, S.I.T. Pilot Assemblies
93006850	Log Set - 2000 FPX 35-B	93006705	Wire Harness, FPX 35-CB
93508116	Manual, FPX 35-B 2000	91001516	Wiring Harness (Pig Tail), Gas, External Power

The safety (listing) label is on a plate chained to the gas control valve. A copy of the safety label is shown below.



Model 35 Custom Builder (CB) Fireplace
Vented Gas Direct-Vent Fireplace Heater

Tested and certified by OMNI-Test Laboratories, Inc. to the combustion performance and construction requirements of ANSI Z21.88/CSA 2.33-1998, applicable sections of UL 307b and CAN/CGA 2.17-M91.

Report No. 1028-S-35-S

Must be installed in accordance with all local codes, if any; if not, in USA follow ANSI Z223.1-1992 and NFPA 54(88), in Canada CAN/CGA B-149. Installation in Manufactured or Mobile Homes must conform with: In USA, Manufactured Home Construction and Safety Standard, Title 24 CFR, Part 3280; In Canada, CSA Z240.4 and Gas-Equipped Recreational Vehicles and Mobile Housing. This appliance is only for use with the type of gas indicated on the rating plate and may be installed in an aftermarket, permanently located, manufactured (mobile) home where not prohibited by local codes. See owner's manual for details. This appliance is not convertible for use with other gases, unless a certified kit is used. This appliance uses a millivolt-type control system consisting of a gas control valve/regulator, a standing pilot burner assembly, a thermopile, a piezo ignitor, and the ON/OFF switch. THIS UNIT DOES NOT REQUIRE 110 VOLT POWER TO OPERATE. All exhaust gases must be vented outside the structure of the living-area. Combustion air is drawn from outside the living-area structure.

The 35 B is designed to operate on natural gas, or propane (LPG). This appliance is factory set for use with Natural Gas. For conversion to Propane (LPG) use factory supplied kit. See owner's manual for information on making these changes.

WARNINGS:
Improper installation, adjustment, alteration, service or maintenance can cause injury or property damage. Refer to the information in the owner's and installation manual provided with this appliance. For assistance or additional information consult a qualified installer, service agency or the gas supplier.
Operation of this appliance when not connected to a properly installed and maintained venting system or tampering with the blocked vent shutoff system can result in carbon monoxide (CO) poisoning and possible death.
Installation and repair should be performed by a qualified service person. The appliance should be inspected before use and at least annually by a qualified service person. More frequent cleaning may be required where excessive lint from material like carpeting and bedding is present. The control compartment, the burner compartment and all circulating air passageways of the appliance must be kept clean and clear at all times.
Due to high temperatures, the appliance should be located out of traffic and away from furniture and draperies.
This appliance must not be connected to a chimney flue servicing a separate solid fuel burning appliance.
This vented gas fireplace heater is not for use with air filters.
Children and adults should be alerted to the hazards of high surface temperature and should stay away to avoid flesh burns or clothing ignition.
Young children should be carefully supervised at all times when they are in the same room as the appliance.

This appliance is a Vented Gas Fireplace Heater. Not for use with Solid Fuel.

CAUTIONS:
Do not operate this appliance with glass removed, cracked or broken. Replacement of the panel(s) should be done by a licensed or qualified service person.
Hot while in operation. Do not touch. Keep children, clothing, furniture, gasoline and other liquids having flammable vapors away. All safety screen or guard components removed for servicing, must be replaced prior to operating the appliance.
Clothing or other flammable material should not be placed on or near the appliance.
Risk of electrical shock. Switch the household breaker off or remove fuse before servicing unit.
Use Simpson DURA-VENT direct vent system (Model GS) to vent this appliance to the exterior (direct discharge only without duct connection).

Minimum Clearances to Combustibles

Edge of Glass Frame to Adjacent Wall	8-1/2" (216mm)	Hearth Extension in Front	0" (0mm)
Wood Floor Beneath Fireplace	0" (0mm)	Hearth Extension to Sides of Faceplate	0" (0mm)
Back to enclosure (from stand-offs)	0" (0mm)	Sides to enclosure (from stand-offs)	0" (0mm)
Top to enclosure	(See Owner's Manual)	Floor to 8" Mantel	42" (1065mm)*
		Flue Vent	See Owner's Manual


* See Owner's Manual For Additional Mantel Clearances and Options.

FAN TYPE VENTED CIRCULATOR
Blower Electrical Rating: 115 V., 1.5 Amps, 60 Hz, 150 watts (optional)

	L.P.	N.G.		L.P.	N.G.
Input Rate on "HI" (BTU/Hr)	24,000	24,000	Minimum Inlet Pressure (inches W.C.)	11.5"	5.5"
Input Rate on "LO" (BTU/Hr)	13,708	14,342	Maximum Inlet Pressure (inches W.C.)	13"	7"
Main Burner Orifice (DMS)	#54	#43	Manifold Pressure on "HI" (inches W.C.)	11"	3.5"

This appliance is equipped for installation in Canada at 0-4500 ft. (0-1370 m); in USA, 0-2000 ft. (0-610 m).
In USA, for altitudes above 2,000 feet, the vent configuration, orifice, or combination of both may need to be changed.
See the owner's manual for information on making these changes.

Manufacture Date: 2000 Jan. Apr. Jul. Oct.
 2001 Feb. May Aug. Nov.
 2002 Mar. Jun. Sep. Dec.



10850 117th Pl. N.E. Kirkland, WA 98033 0390

Limited 7 Year Warranty

37

To register your TRAVIS INDUSTRIES, INC. 7 Year Warranty, complete the enclosed warranty card and mail it within **ten (10)** days of the appliance purchase date to: TRAVIS INDUSTRIES, INC., 10850 117th Place N.E., Kirkland, Washington 98033. TRAVIS INDUSTRIES, INC. warrants this gas appliance (appliance is defined as the equipment manufactured by Travis Industries, Inc.) to be defect-free in material and workmanship to the original purchaser from the date of purchase as follows:

Years 1 & 2 - COVERAGE: PARTS & LABOR

Burner Assembly:

Burner, Burner Pan, Air Shutter Assembly, Main Burner Orifice

Firebox Assembly:

Adjustable Air Restrictor, Pressure Relief Mechanisms, Barometric Control Mechanism (for models with Remote Heat Ducts), Glass Attachment Mechanism

Electrical Assembly (within fireplace structure):

Blower, wiring harness, snap discs, rheostat speed control

Gold & Nickel Plating

Face & Door (see "Conditions and Exclusions" # 9)

Gas Control Assembly

Adjustable control valve, millivolt wiring and connectors (located within the metal fireplace structure), thermopile, thermocouple, pilot hood, orifices, pilot gas line, piezo ignitor

Ceramic Glass

Glass (breakage from thermal shock)

Ceramic Logs

Log Set, Coals, Ember Strip (Steel Fiber)

Accessories

Cast Brick, Cast Firebacks

Convection Heat Exchanger

Re-Installation Allowance

In cases where fireplace must be removed from home for repairs, a partial cost of re-installation is covered (pre-authorization required)

One-Way Freight Allowance

One-way freight allowance on pre-authorized repair done at factory is covered.

Exclusions: Paint, Gasketing

Years 3 THROUGH 5 - COVERAGE: PARTS & LABOR

Burner Assembly:

Burner, Burner Pan, Air Shutter Assembly, Main Burner Orifice

Convection Heat Exchanger

Firebox Assembly:

Adjustable Air Restrictor, Pressure Relief Mechanisms, Barometric Control Mechanism (for models with Remote Heat Ducts), Glass Attachment Mechanism

One-Way Freight Allowance

One-way freight allowance on pre-authorized repair done at factory is covered.

Exclusions: Paint, Gasketing, Electrical Assembly, Gas Control Assembly, Ceramic Glass, Ceramic Logs, Gold & Nickel Plating, Accessories, Re-Installation Allowance

Years 6 & 7 - COVERAGE: PARTS ONLY

Burner Assembly:

Burner, Burner Pan, Air Shutter Assembly, Main Burner Orifice

Exclusions: Paint, Gasketing, Electrical Assembly, Gas Control Assembly, Ceramic Glass, Ceramic Logs, Gold & Nickel Plating, Accessories, Convection Heat Exchanger, Re-Installation Allowance, One-Way Freight Allowance, Labor

Firebox Assembly:

Adjustable Air Restrictor, Pressure Relief Mechanisms, Barometric Control Mechanism (for models with Remote Heat Ducts), Glass Attachment Mechanism

CONDITIONS & EXCLUSIONS

1. This new gas appliance must be installed by a qualified gas appliance technician. It must be installed, operated, and maintained at all times in accordance with the instructions in the Owner's Manual. Any alteration, willful abuse, accident, neglect, or misuse of the product shall nullify this warranty.
2. This warranty is nontransferable, and is made to the ORIGINAL purchaser, provided that the purchase was made through an authorized TRAVIS dealer.
3. Discoloration and some minor expansion, contraction, or movement of certain parts and resulting noise, is normal and not a defect and, therefore, not covered under warranty. The installer must ensure the appliance is burning as per the rating tag at the time of installation. Over-firing (operation above the listed BTU rate) of this appliance can cause serious damage and will nullify this warranty.
4. The warranty, as outlined within this document, does not apply to the chimney components or other Non-Travis accessories used in conjunction with the installation of this product. If in doubt as to the extent of this warranty, contact your authorized TRAVIS retailer before installation.
5. Travis Industries will not be responsible for inadequate performance caused by environmental conditions such as nearby trees, buildings, roof tops, wind, hills or mountains or negative pressure or other influences from mechanical systems such as furnaces, fans, clothes dryers, etc.
6. This Warranty is void if:
 - a. The unit has been operated in atmospheres contaminated by chlorine, fluorine or other damaging chemicals.
 - b. The unit is subject to submersion in water or prolonged periods of dampness or condensation.
 - c. Any damage to the unit, combustion chamber, heat exchanger or other components due to water, or weather damage which is the result of, but not limited to, improper chimney/venting installation.
7. Exclusions to this 7 Year Warranty include: injury, loss of use, damage, failure to function due to accident, negligence, misuse, improper installation, alteration or adjustment of the manufacturer's settings of components, lack of proper and regular maintenance, damage incurred while the appliance is in transit, alteration, or act of God.
8. This 7 Year warranty excludes damage caused by normal wear and tear, such as paint discoloration or chipping, worn or torn gasketing, corroded or cracked logs, embers, etc. Also excluded is damage to the unit caused by abuse, improper installation, modification of the unit, drilling of the orifices, or the use of fuel other than that for which the unit is configured. Units are shipped for natural gas and must be converted to propane using the included conversion kit. Confirm fuel configuration with your installer.
9. Damage to gold or nickel surfaces caused by fingerprints, scratches, melted items, or other external sources left on the gold or nickel from the use of cleaners other than denatured alcohol is not covered in this warranty.
10. TRAVIS INDUSTRIES, INC. is free of liability for any damages caused by the appliance, as well as inconvenience expenses and materials. Incidental or consequential damages are not covered by this warranty. In some states, the exclusion of incidental or consequential damage may not apply.
11. This warranty does not cover any loss or damage incurred by the use or removal of any component or apparatus to or from the gas appliance without the express written permission of TRAVIS INDUSTRIES, INC. and bearing a TRAVIS INDUSTRIES, INC. label of approval.
12. Any statement or representation of TRAVIS products and their performance contained in TRAVIS advertising, packaging literature, or printed material is not part of this 7 year warranty.
13. This warranty is automatically voided if the appliance's serial number has been removed or altered in any way. If the appliance is used for commercial purposes, it is excluded from this warranty.
14. No dealer, distributor, or similar person has the authority to represent or warrant TRAVIS products beyond the terms contained within this warranty. TRAVIS INDUSTRIES, INC. assumes no liability for such warranties or representations.
15. Travis Industries will not cover the cost of the removal or re-installation of hearths, facing, mantels, venting or other components.
16. If for any reason any section of this warranty is declared invalid, the balance of the warranty remains in effect and all other clauses shall remain in effect.
17. THIS 7 YEAR WARRANTY IS THE ONLY WARRANTY SUPPLIED BY TRAVIS INDUSTRIES, INC., THE MANUFACTURER OF THE APPLIANCE. ALL OTHER WARRANTIES, WHETHER EXPRESS OR IMPLIED, ARE HEREBY EXPRESSLY DISCLAIMED AND PURCHASER'S RECOURSE IS EXPRESSLY LIMITED TO THE WARRANTIES SET FORTH HEREIN.

IF WARRANTY SERVICE IS NEEDED:

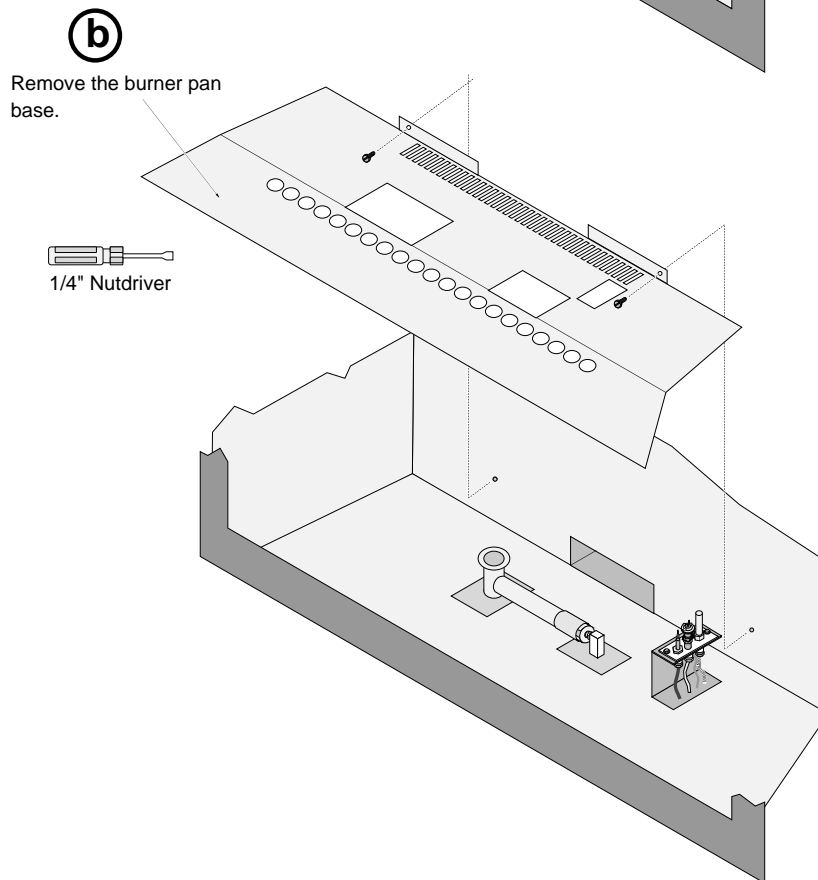
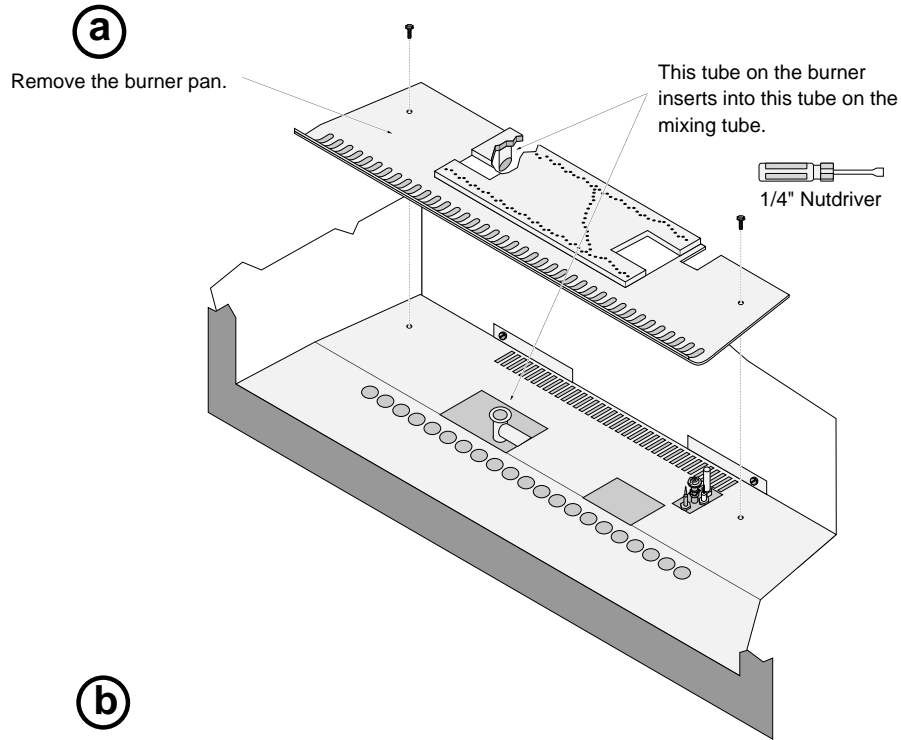
1. If you discover a problem that you believe is covered by this warranty, you MUST REPORT it to your TRAVIS dealer WITHIN 30 DAYS, giving them proof of purchase, the purchase date, and the model name and serial number.
2. Travis Industries has the option of either repairing or replacing the defective component.
3. If your dealer is unable to repair your appliance's defect, he may process a warranty claim through TRAVIS INDUSTRIES, INC., including the name of the dealership where you purchased the appliance, a copy of your receipt showing the date of the appliance's purchase, and the serial number on your appliance. At that time, you may be asked to ship your appliance, freight charges prepaid, to TRAVIS INDUSTRIES, INC. TRAVIS INDUSTRIES, INC., at its option, will repair or replace, free of charge, your TRAVIS appliance if it is found to be defective in material or workmanship within the time frame stated within this 7 year warranty. TRAVIS INDUSTRIES, INC. will return your appliance, freight charges (years 1 to 5) prepaid by TRAVIS INDUSTRIES, INC., to your regional distributor, or dealership.
4. Check with your dealer in advance for any costs to you, when arranging a warranty call. Dealers may require you to pay a service or trip charges for any warranty work. This charge can vary from store to store.

38 Optional Equipment (for qualified installers only)

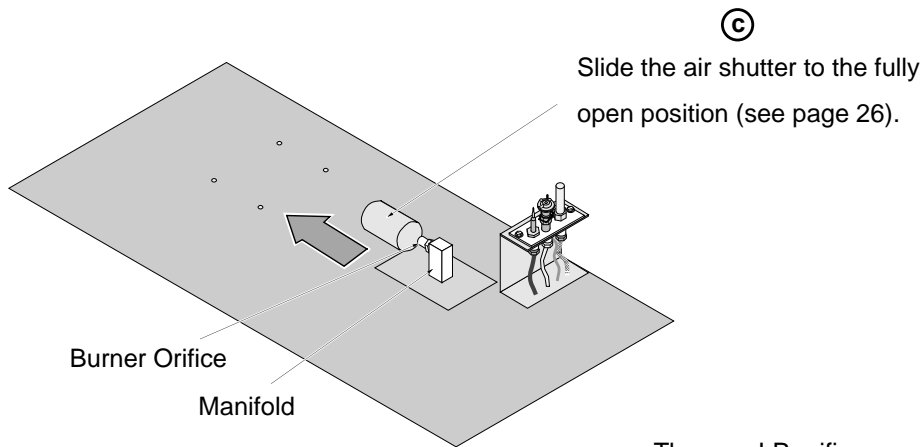
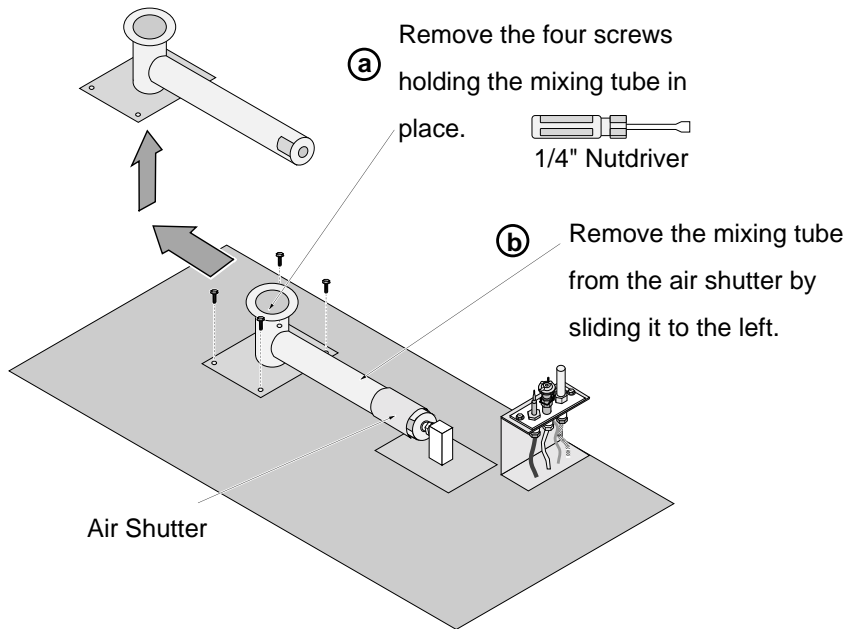
LP Conversion Instructions

Install the conversion kit prior to installing the gas line to ensure proper gas use.

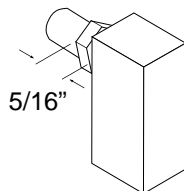
- 1 Remove the glass (see page 24). Remove the logs and kibbles (if installed - page 25)
- 2 Remove the burner (see illustration to the right).



- 3 Follow the directions below to remove the natural gas orifices. Apply thread sealant to the LP orifices and tighten them in place with a 1/2" open end wrench (make sure to install the orifices correctly – see the illustration below). Slide the adjustable shutter back in place over the orifice.



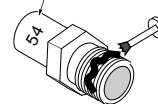
- d** Use a 1/2" open end wrench to unscrew the burner orifice.



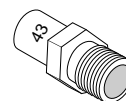
NOTE:

Screw the LP orifice in so the orifice shoulder protrudes 5/16" (indicating full insertion).

The new LP orifice has ".054" stamped on it.



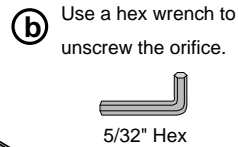
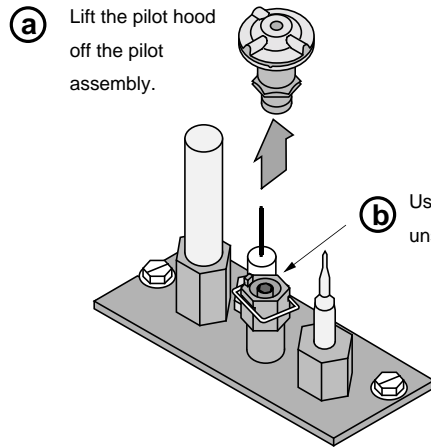
- e** Apply thread sealant to the new orifice and install.



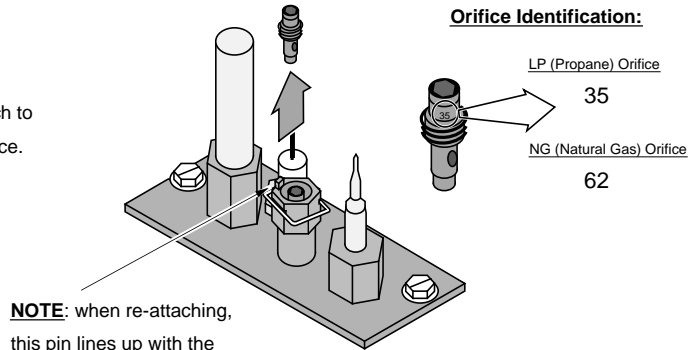
The old NG orifice has "43" stamped on it.

40 Optional Equipment (for qualified installers only)

- 4 Remove the pilot orifice following the instructions below. Replace with the propane pilot orifice. The propane conversion kit includes pilot orifice with "35" stamped on it. Replace burner pan.

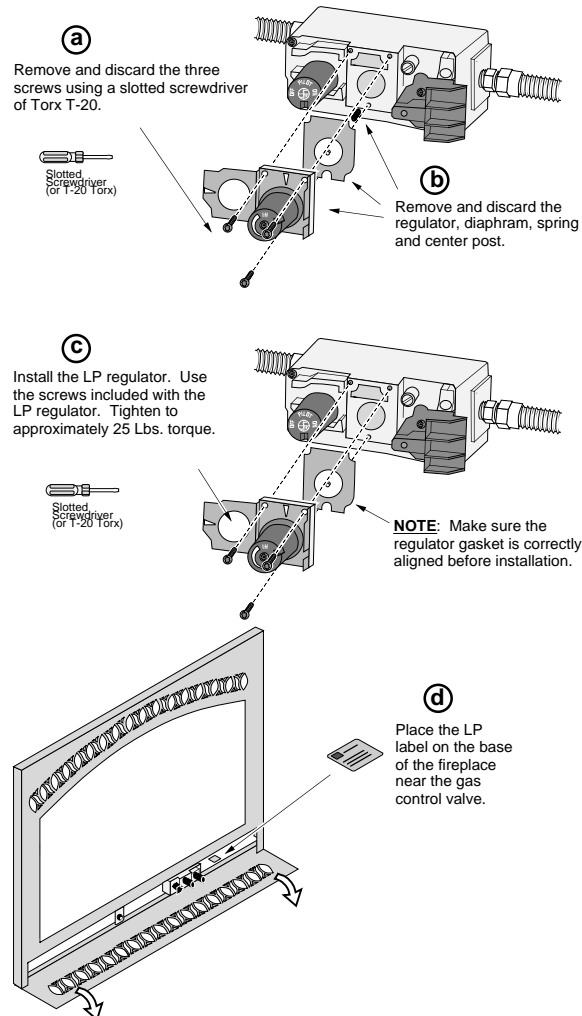


- (c)** Remove the orifice and replace with the LP orifice. Screw the orifice all the way in and replace the pilot hood.



- 5 Remove the regulator from the front of the gas control valve. Replace with the propane regulator, using the new gasket and screws included with the regulator.
- NOTE: Leak test this area after the heater is installed, gas is connected, and the main burner is lit.**

NOTE: this illustration shows the gas control valve with the inlet to the left. On the FPX 35 CB the valve will be rotated 180°.

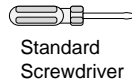


Optional Equipment (for qualified installers only) 41

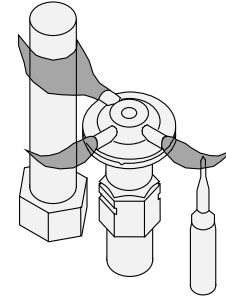
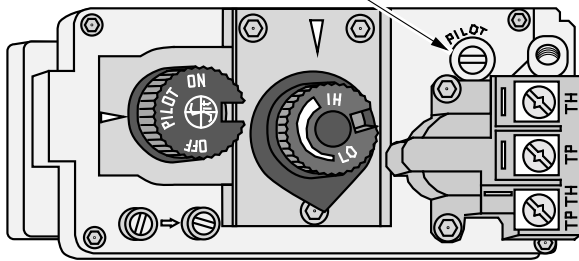
- 6 Make the gas line connection, bleed the gas line (if applicable), start the heater and thoroughly leak-test all gas connections and the gas control valve. Check the pilot. Adjust if necessary.

WARNING: When lighting or re-lighting the pilot, the glass must be removed (see page 24).

To adjust the pilot flame, turn this screw (NOTE: if totally unscrewed gas will come out of this port). Clockwise lowers the flame while counter-clockwise raises it.



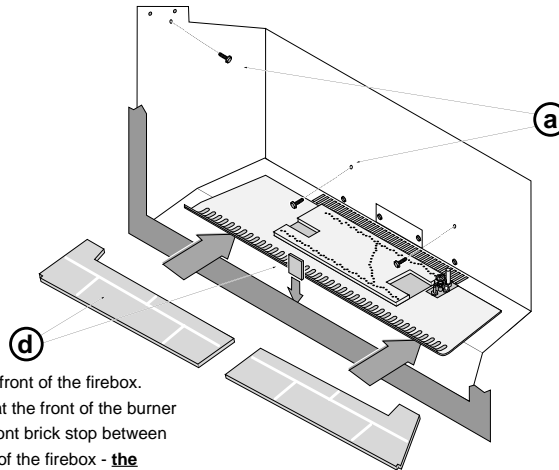
The pilot flame must contact the thermocouple and thermopile (see the illustration below). Adjust the pilot up or down as necessary.



- 7 Install the log set (see page 25).
8 Replace the glass and face (see page 24) and face (page 13 or 14).

Fireback (Part # 98500675)

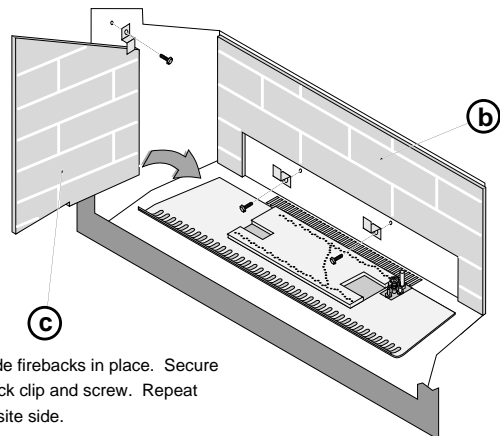
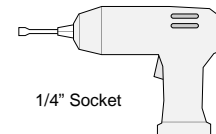
- ! Install the fireback prior to installing the log set.



Install the fireback floor pieces at the front of the firebox. You may need to lift up on the grate at the front of the burner to install the floor pieces. Tuck the front brick stop between the front of the fireback and the front of the firebox - **the brick stop prevents the floor fireback from contacting the glass.**

Locate the four dimples on the firebox walls (two on the back, one on each side). Use a power drill with a 1/4" socket and the included self-drilling screws to pre-drill (and thread) the holes. **Do not strip the threads** by over-torquing the screws. Remove the screws.

NOTE: on earlier models these holes are not present - they will require placement and drilling - see the compatibility note above.



Place the rear fireback so it is centered against the rear wall of the firebox. Secure with two fireback clips and the screws.

Place the side firebacks in place. Secure with a fireback clip and screw. Repeat for the opposite side.

42 Optional Equipment (for qualified installers only)

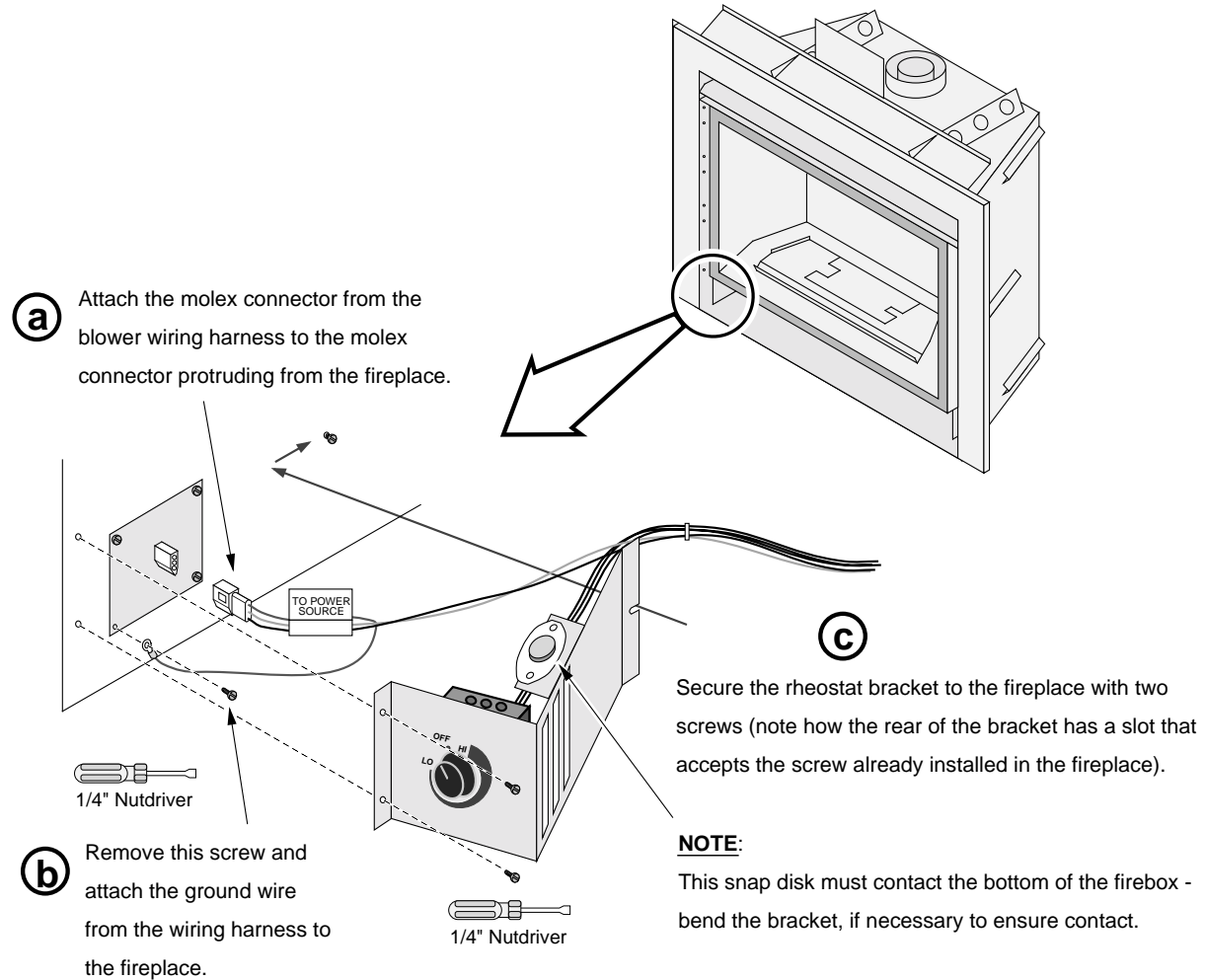
Face Mounting Kit (for mounting 36 DV Faces) (part # 98500536)

See the instructions on page 14.

Blower (part # 99000155)

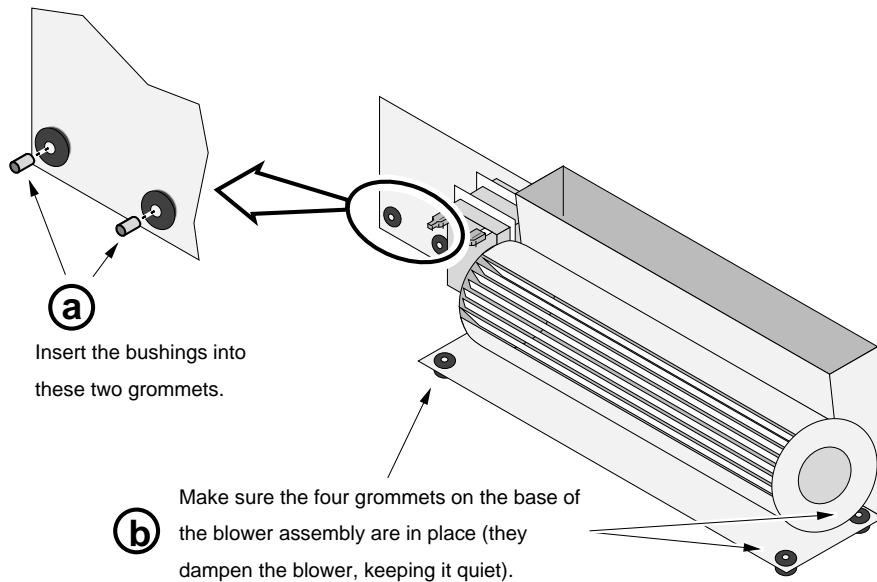
! Do not connect 110-120 VAC to the gas control valve or wiring system of this unit.

1 Attach the rheostat bracket to the fireplace following the directions below.



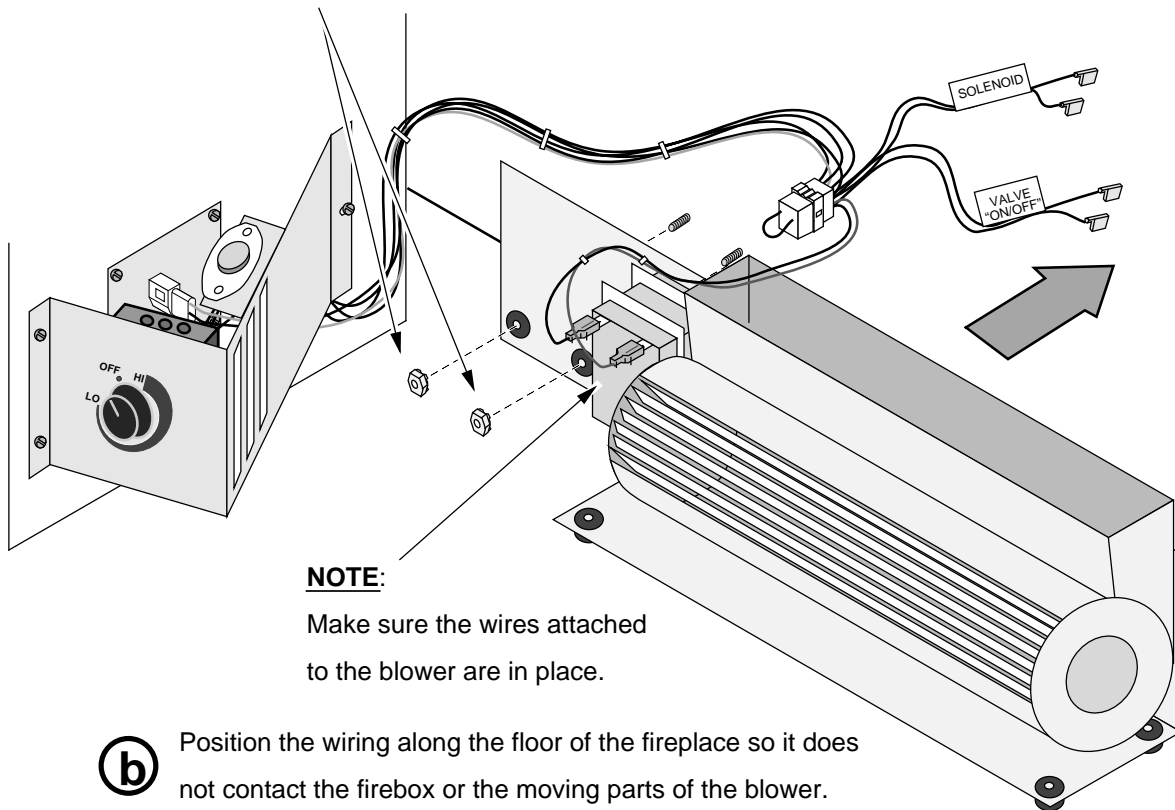
Optional Equipment (for qualified installers only) 43

- 2 Install the bushings into the grommets on the blower following the directions below.



- 3 Install the blower following the directions below.

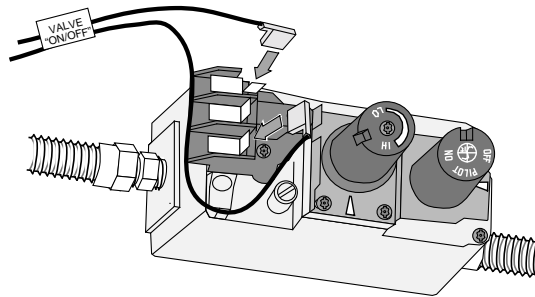
- a** Slide the blower into place, behind the gas control valve. Attach the blower to the two studs at the back of the fireplace with the two included nuts.



44 Optional Equipment (for qualified installers only)

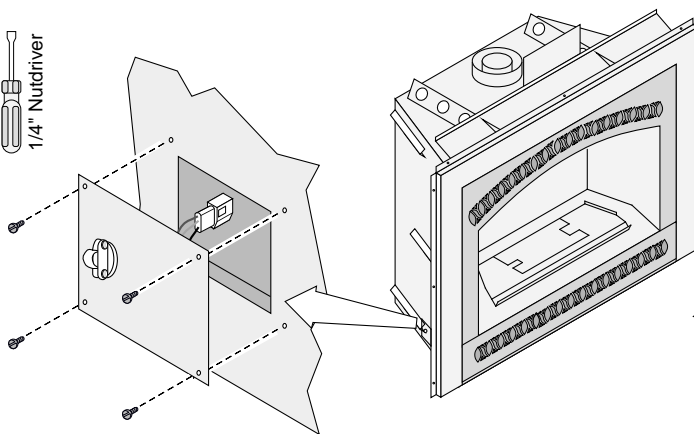
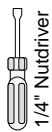
- 4 Attach the on/off wires to the valve following the directions below.

Attach these two wires to the front of the gas control valve.

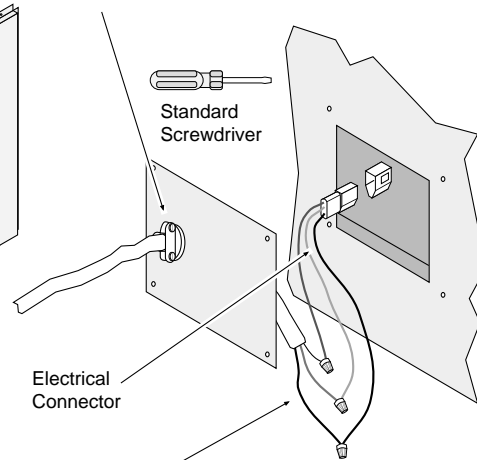


- 5 Install the electrical connection to the fireplace following the directions below.

- a** Remove the cover from the fireplace junction box.



- b** Insert the sheathed cable from the power source through this cable clamp. Once the wires are attached, tighten the clamp to secure the cable.



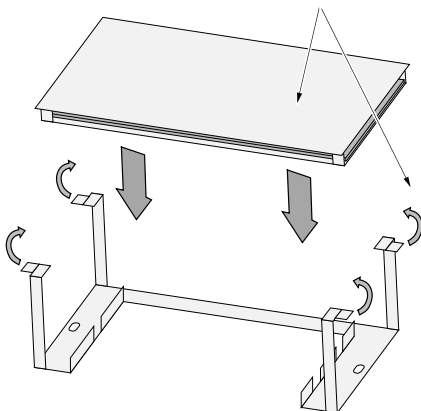
WARNING: Make sure power is off from the power lead before conducting any wiring.

- c** Attach the common (white), ground (exposed or green) wires, and hot (black) wires from the power source to the electrical connector (attached to the fireplace).

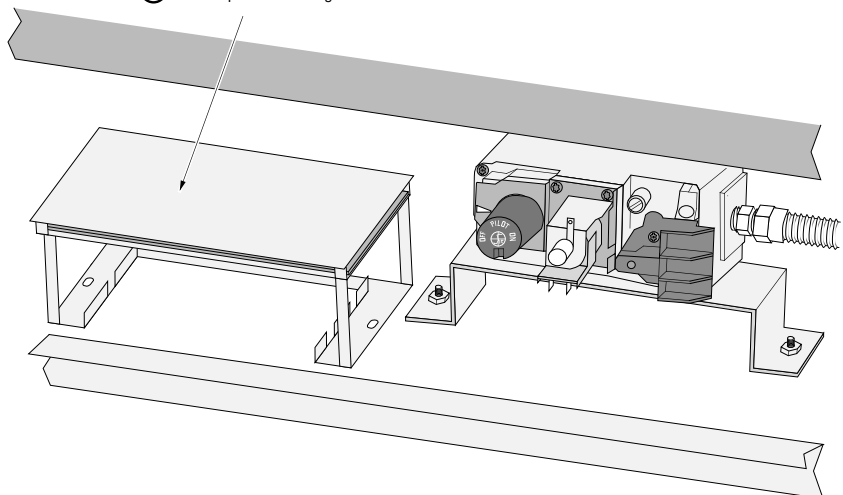
- d** Replace the cover removed in step "a".

- 6 If using the modulating remote, install the heat shield following the directions below.

- a** Place the top portion of the heat shield over the lower portion. Bend the tabs over to lock the two pieces together.



- b** Position the receiver heat shield at the front of the fireplace near the gas control valve.



Approved Vent Configurations.....	18	Installation Options	5
Adjusting the Blower Speed.....	31	Items Required for Installation.....	6
Adjusting the Flame Height	30	Leaking Gas	See Inst. on Cover
Air Shutter Adjustment.....	26	Listing Information	36
Altitude Considerations.....	16	Location of Controls.....	28
Blower Control.....	31	Log Set Installation and Removal	25
BTU Input.....	5	Maintenance	32
BTU Output.....	5	Mantel Requirements.....	15
Cap (see vent termination).....	22	Measuring Vent Lengths.....	18
Chimney Cap (see vent termination).....	22	Noise (see Normal Operating Sounds)	31
Chimney Installation (see Vent Requirements)....	16	Normal Operating Sounds.....	31
Clearances.....	7	Packing List.....	6
Condensation on Glass.....	30	Pilot Flame Inspection.....	26
Corner Installation.....	8	Piping Installation (see Gas Line Install).....	23
Dimensions.....	5	Raised Fireplaces	8
Dura-Vent (part numbers).....	16	Remote Control Installation.....	43
Elbows.....	18	Remote Control Operation	43
Face Dimensions (36 DV).....	14	Restrictor Position	18
Face Installation (35 CB).....	13	Safety Label.....	36
Face Installation (36 DV).....	14	Safety Precautions	2
Facing Requirements.....	10	Starting The Pilot.....	29
Finalizing the Installation.....	24	Starting the Fireplace for the First Time.....	30
Floor Protection (see "Hearth Requirements")....	9	Thermostat Operation.....	30
Framing Dimensions	7	Turning the Fireplace On and Off.....	30
Fuel.....	23	Vent Length (see "Vent Configuration").....	18
Gas Control Valve (Location).....	28	Vent Part Numbers	16
Gas Inlet Pressure.....	23	Vent Requirements	16
Gas Line Connection	23	Vertical Vent Termination Requirements	22
Gas Line Install.....	23	Warnings.....	2
Gas Smell.....	See Inst. on Cover	Warranty.....	37
Glass Installation and Removal	24	Water on Glass (see Condensation)	30
Hearth Requirements.....	9	Weight (250 Lbs.).....	5
Heating Specifications	5	What Prevents Gas Buildup.....	34
Horizontal Vent Termination Requirements	22	What Turns the Main Burners On and Off.....	34
How this Fireplace Works.....	34	Wiring Diagram.....	35
Vent Lengths.....	18	Yearly Service Procedure.....	32