

Bulletin No. 50
Issue 1
February, 1933

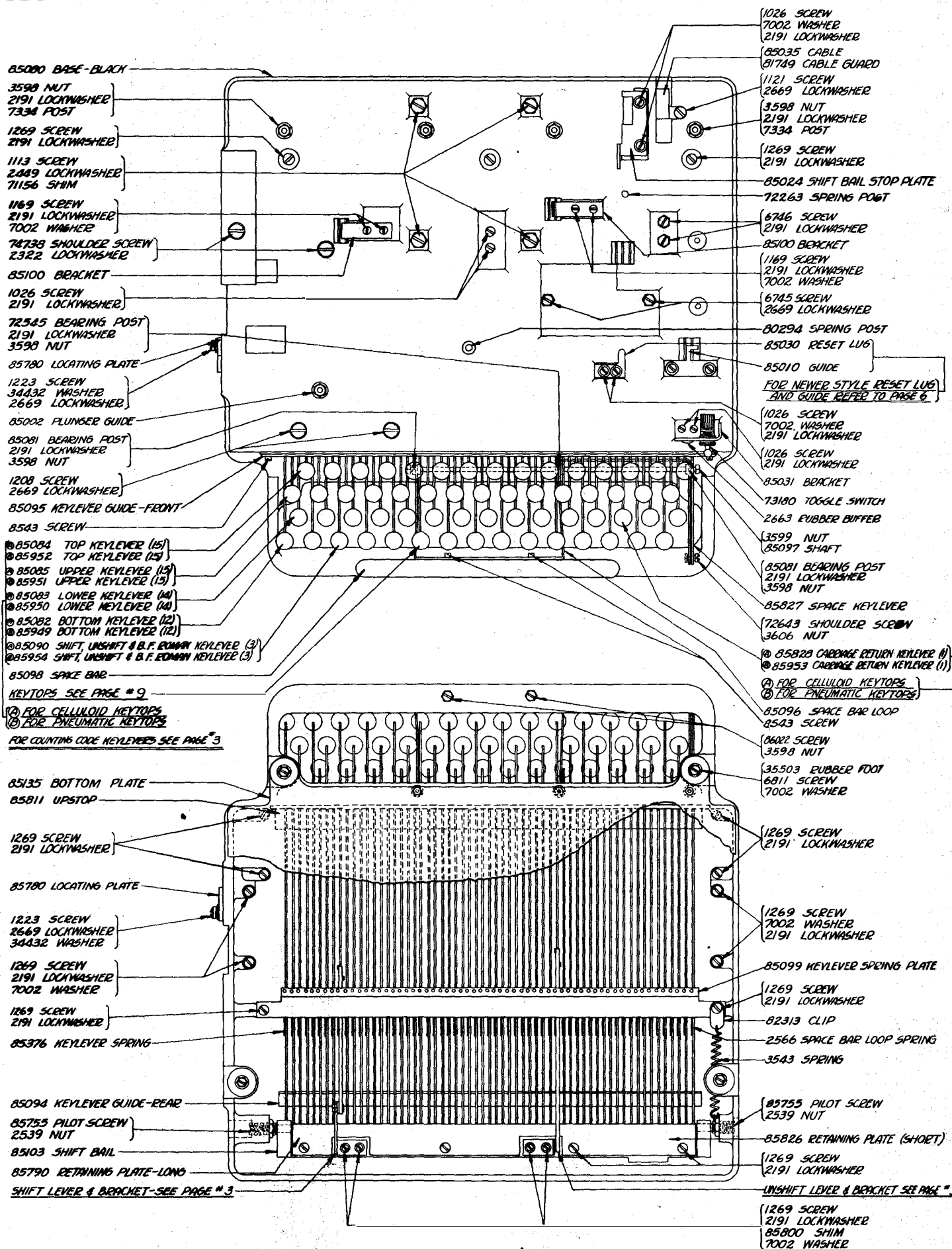
TELETYPESETTER

PARTS
KEYBOARD TAPE PERFORATOR

**RTTY
ELECTRONICS**
TELETYPE
SALES - SERVICE - PARTS
P.O. BOX. 20101 EL SOBRANTE, CA.
94820
PHONE (510) 222-3102
mr_rtty@pacbell.net

TELETYPESETTER
CORPORATION
1400 WRIGHTWOOD AVE.
CHICAGO, U. S. A.

Property of Wilbur F. Porter

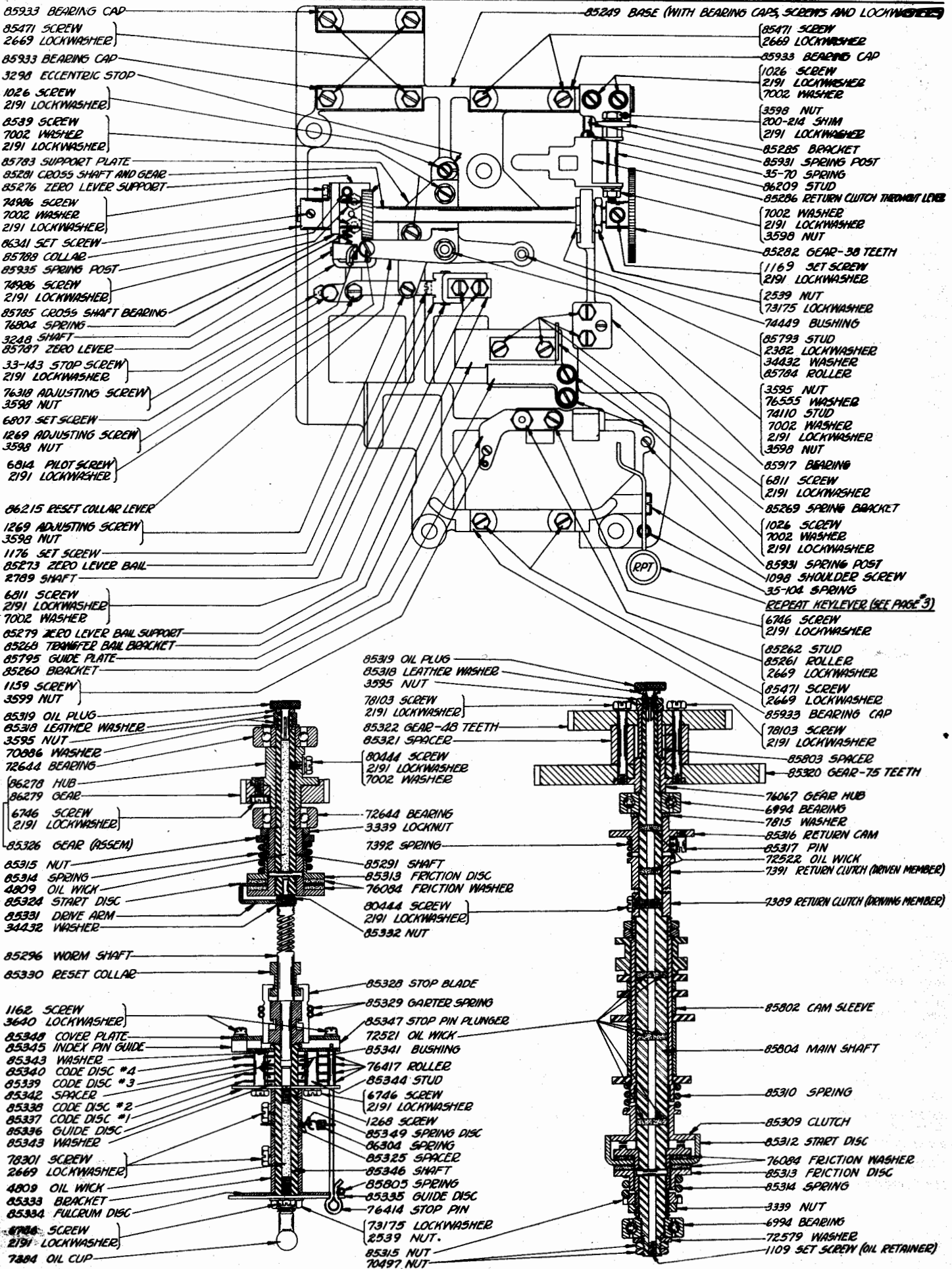


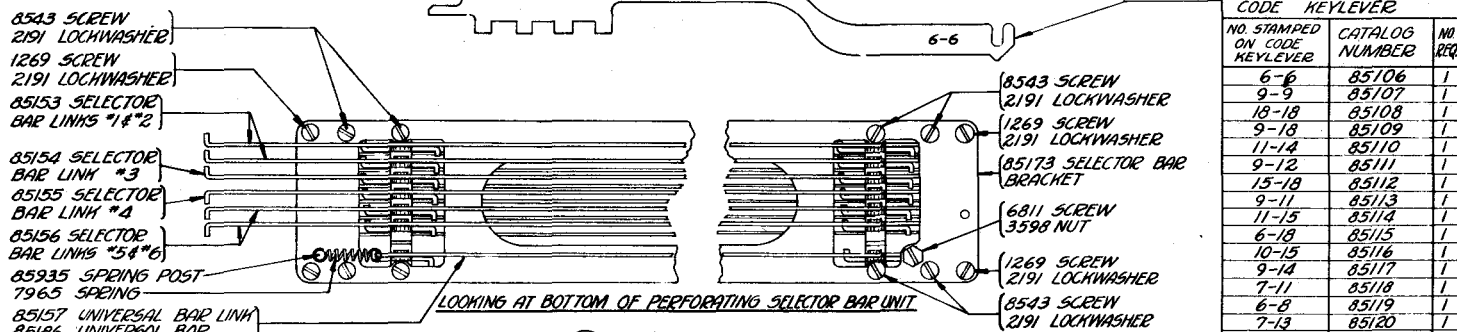
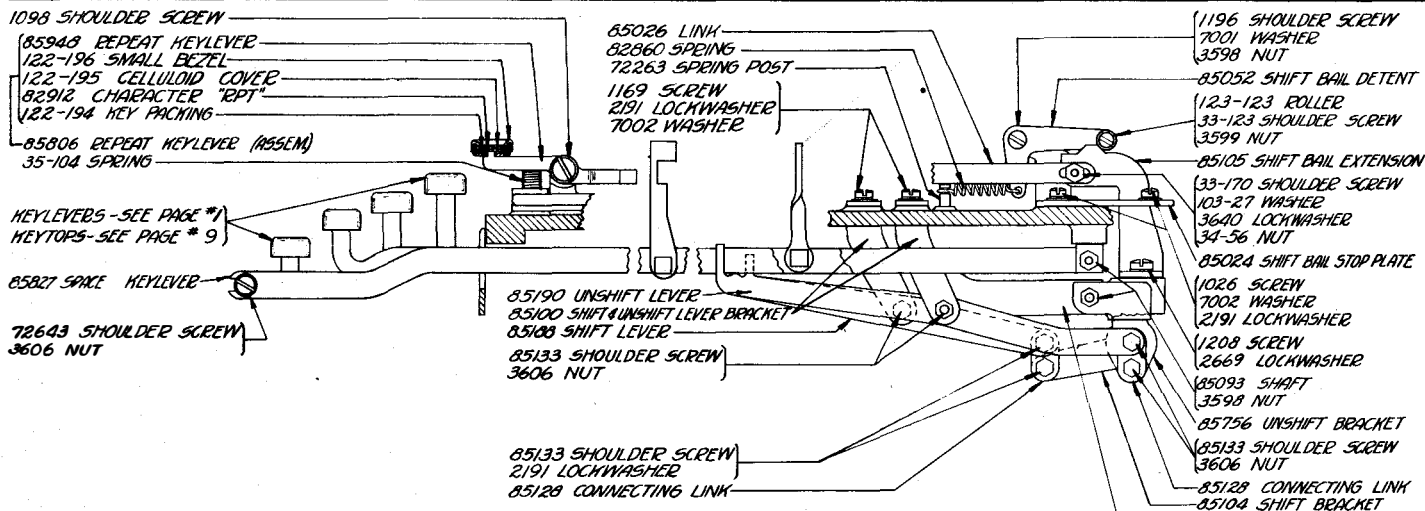
- 85000 BASE-BLACK
- 3598 NUT
- 2191 LOCKWASHER
- 7334 POST
- 1269 SCREW
- 2191 LOCKWASHER
- 1113 SCREW
- 2449 LOCKWASHER
- 71156 SHIM
- 1169 SCREW
- 2191 LOCKWASHER
- 7002 WASHER
- 74738 SHOULDER SCREW
- 2322 LOCKWASHER
- 85100 BRACKET
- 1026 SCREW
- 2191 LOCKWASHER
- 72545 BEARING POST
- 2191 LOCKWASHER
- 3598 NUT
- 85780 LOCATING PLATE
- 1223 SCREW
- 34432 WASHER
- 2669 LOCKWASHER
- 85002 PLUNGER GUIDE
- 85081 BEARING POST
- 2191 LOCKWASHER
- 3598 NUT
- 1208 SCREW
- 2669 LOCKWASHER
- 85095 KEYLEVER GUIDE-FRONT
- 8543 SCREW
- 85084 TOP KEYLEVER (15)
- 85952 TOP KEYLEVER (15)
- 85085 UPPER KEYLEVER (15)
- 85951 UPPER KEYLEVER (15)
- 85083 LOWER KEYLEVER (14)
- 85950 LOWER KEYLEVER (14)
- 85082 BOTTOM KEYLEVER (12)
- 85949 BOTTOM KEYLEVER (12)
- 85090 SHIFT, UNSHIFT & B.F. ROMAN KEYLEVER (3)
- 85954 SHIFT, UNSHIFT & B.F. ROMAN KEYLEVER (3)
- 85098 SPACE BAR

KEYTOPS SEE PAGE # 9
 (A) FOR CELLULOID KEYTOPS
 (B) FOR PNEUMATIC KEYTOPS
 FOR COUNTING CODE KEYLEVERS SEE PAGE # 3

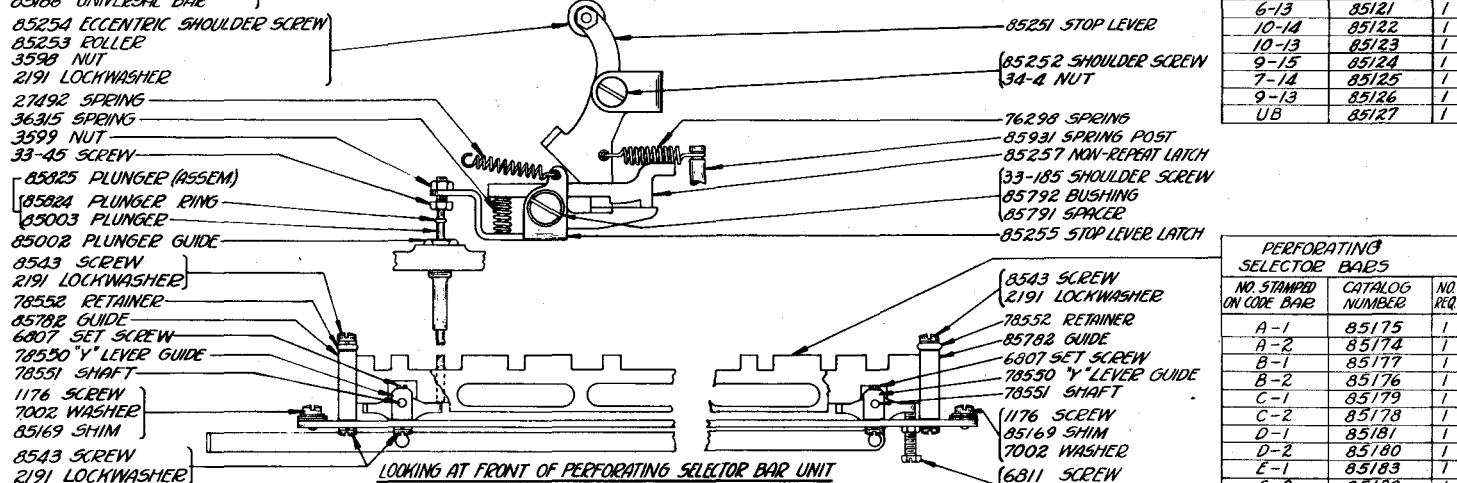
- 85135 BOTTOM PLATE
- 85811 UPSTOP
- 1269 SCREW
- 2191 LOCKWASHER
- 85780 LOCATING PLATE
- 1223 SCREW
- 2669 LOCKWASHER
- 34432 WASHER
- 1269 SCREW
- 2191 LOCKWASHER
- 7002 WASHER
- 1269 SCREW
- 2191 LOCKWASHER
- 85376 KEYLEVER SPRING
- 85094 KEYLEVER GUIDE-REAR
- 85755 PILOT SCREW
- 2539 NUT
- 85103 SHIFT BAIL
- 85790 RETAINING PLATE-LONG
- SHIFT LEVER & BRACKET-SEE PAGE # 3

- 1026 SCREW
- 7002 WASHER
- 2191 LOCKWASHER
- 85035 CABLE
- 81749 CABLE GUARD
- 1121 SCREW
- 2669 LOCKWASHER
- 3598 NUT
- 2191 LOCKWASHER
- 7334 POST
- 1269 SCREW
- 2191 LOCKWASHER
- 85024 SHIFT BAIL STOP PLATE
- 72263 SPRING POST
- 6746 SCREW
- 2191 LOCKWASHER
- 85100 BRACKET
- 1169 SCREW
- 2191 LOCKWASHER
- 7002 WASHER
- 6745 SCREW
- 2669 LOCKWASHER
- 80294 SPRING POST
- 85030 RESET LUG
- 85010 GUIDE
- FOR NEWER STYLE RESET LUG AND GUIDE REFER TO PAGE 6
- 1026 SCREW
- 7002 WASHER
- 2191 LOCKWASHER
- 1026 SCREW
- 2191 LOCKWASHER
- 85031 BRACKET
- 73180 TOGGLE SWITCH
- 2663 RUBBER BUFFER
- 3599 NUT
- 85097 SHAFT
- 85081 BEARING POST
- 2191 LOCKWASHER
- 3598 NUT
- 85827 SPACE KEYLEVER
- 72643 SHOULDER SCREW
- 3606 NUT
- 85828 CARTRIDGE RETURN KEYLEVER (1)
- 85953 CARTRIDGE RETURN KEYLEVER (1)
- (A) FOR CELLULOID KEYTOPS
(B) FOR PNEUMATIC KEYTOPS
- 85096 SPACE BAR LOOP
- 8543 SCREW
- 8682 SCREW
- 3598 NUT
- 35503 RUBBER FOOT
- 6811 SCREW
- 7002 WASHER
- 1269 SCREW
- 2191 LOCKWASHER
- 1269 SCREW
- 7002 WASHER
- 2191 LOCKWASHER
- 85099 KEYLEVER SPRING PLATE
- 1269 SCREW
- 2191 LOCKWASHER
- 82313 CLIP
- 2566 SPACE BAR LOOP SPRING
- 3543 SPRING
- 85755 PILOT SCREW
- 2539 NUT
- 85826 RETAINING PLATE (SHORT)
- 1269 SCREW
- 2191 LOCKWASHER
- UNSHIFT LEVER & BRACKET SEE PAGE # 3
- 1269 SCREW
- 2191 LOCKWASHER
- 85800 SHIM
- 7002 WASHER

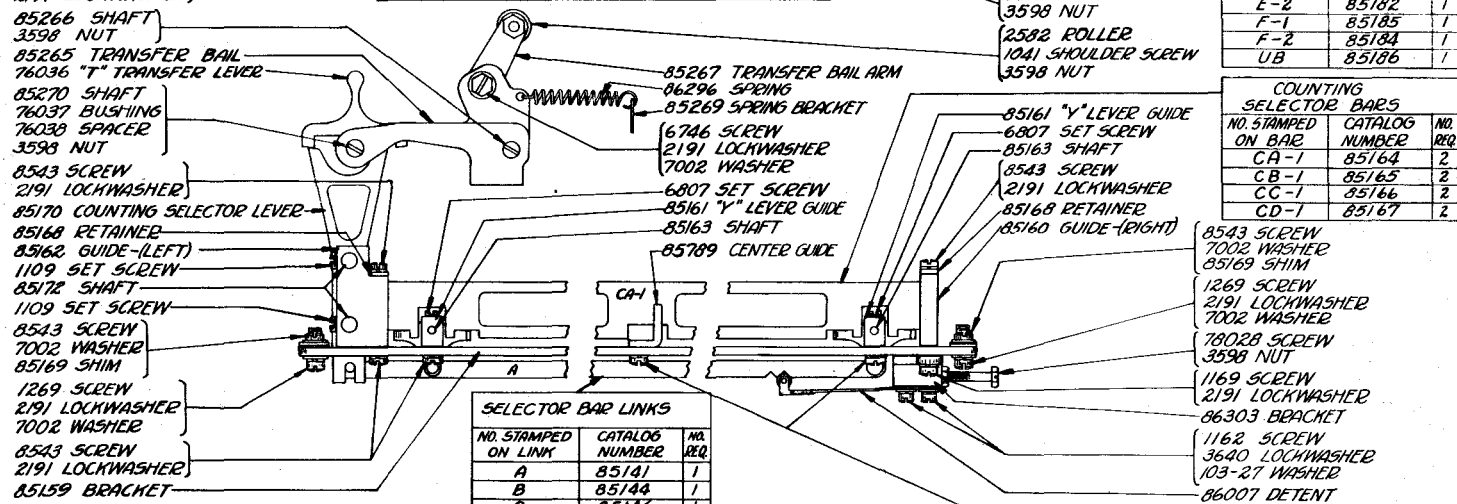




COUNTING CODE KEYLEVER		
NO. STAMPED ON CODE KEYLEVER	CATALOG NUMBER	NO. REQ.
6-6	85106	1
9-9	85107	1
18-18	85108	1
9-18	85109	1
11-14	85110	1
9-12	85111	1
15-18	85112	1
9-11	85113	1
11-15	85114	1
6-18	85115	1
10-15	85116	1
9-14	85117	1
7-11	85118	1
6-8	85119	1
7-13	85120	1
6-13	85121	1
10-14	85122	1
10-13	85123	1
9-15	85124	1
7-14	85125	1
9-13	85126	1
UB	85127	1



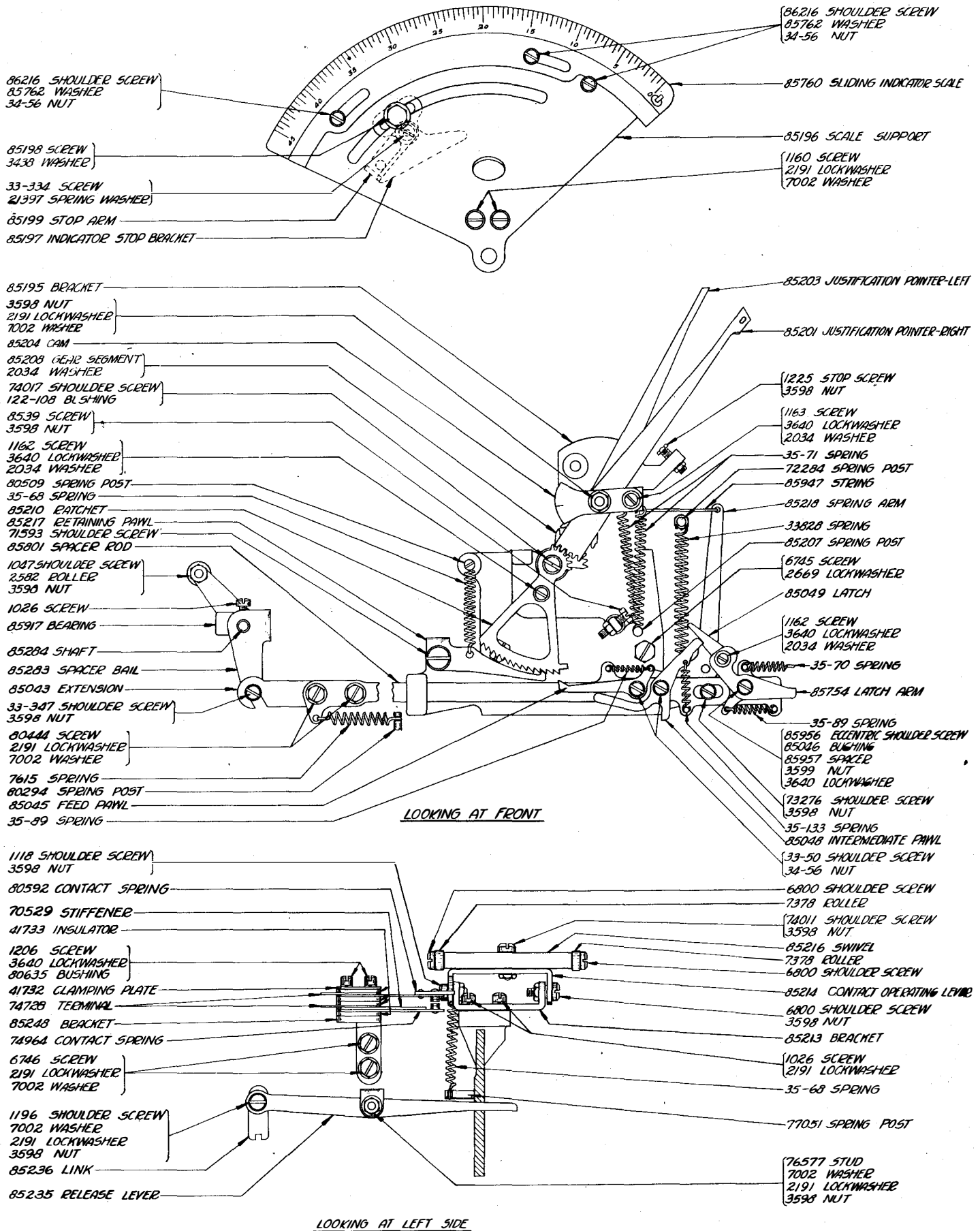
PERFORMING SELECTOR BARS		
NO. STAMPED ON CODE BAR	CATALOG NUMBER	NO. REQ.
A-1	85175	1
A-2	85174	1
B-1	85177	1
B-2	85176	1
C-1	85179	1
C-2	85178	1
D-1	85181	1
D-2	85180	1
E-1	85183	1
E-2	85182	1
F-1	85185	1
F-2	85184	1
UB	85186	1

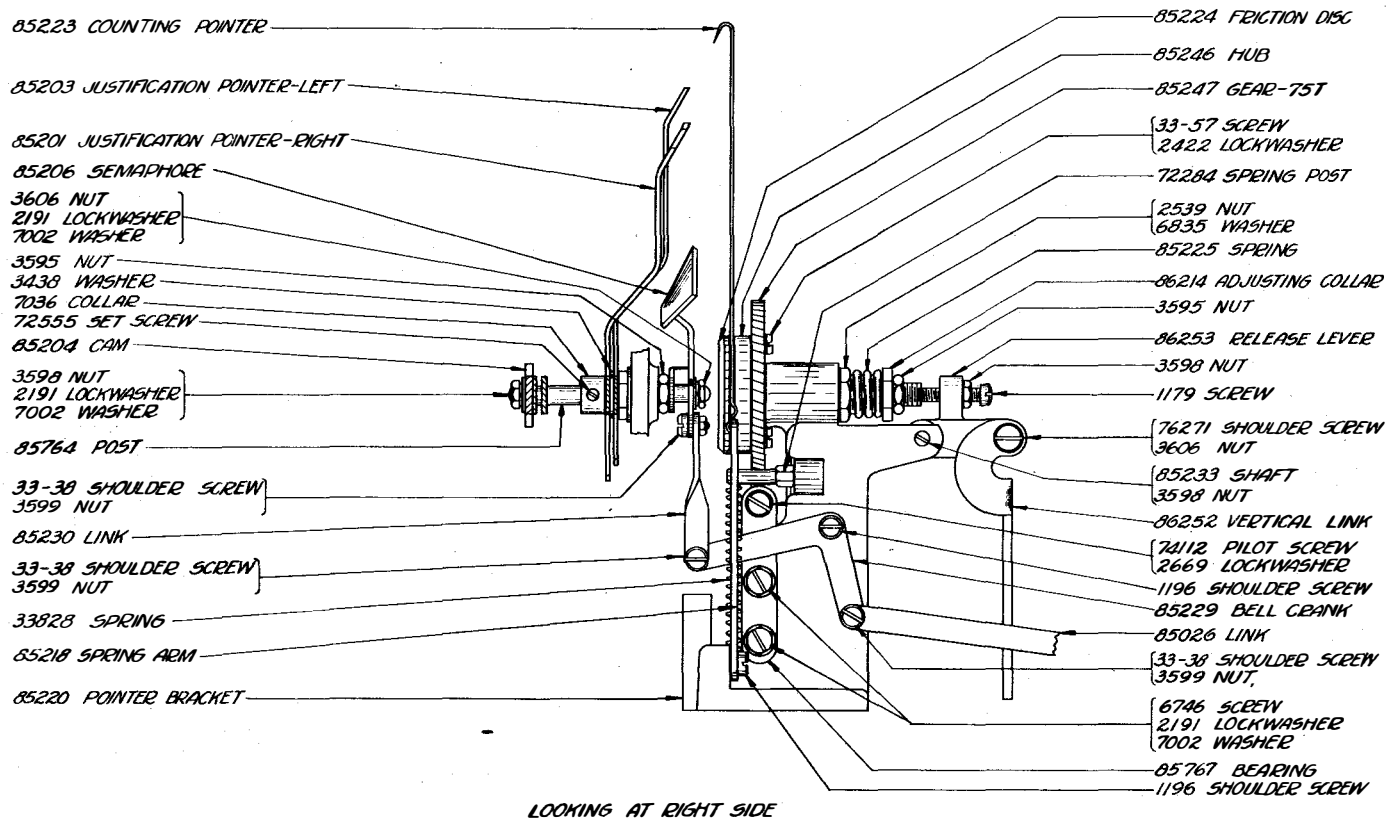


COUNTING SELECTOR BARS		
NO. STAMPED ON BAR	CATALOG NUMBER	NO. REQ.
CA-1	85164	2
CB-1	85165	2
CC-1	85166	2
CD-1	85167	2

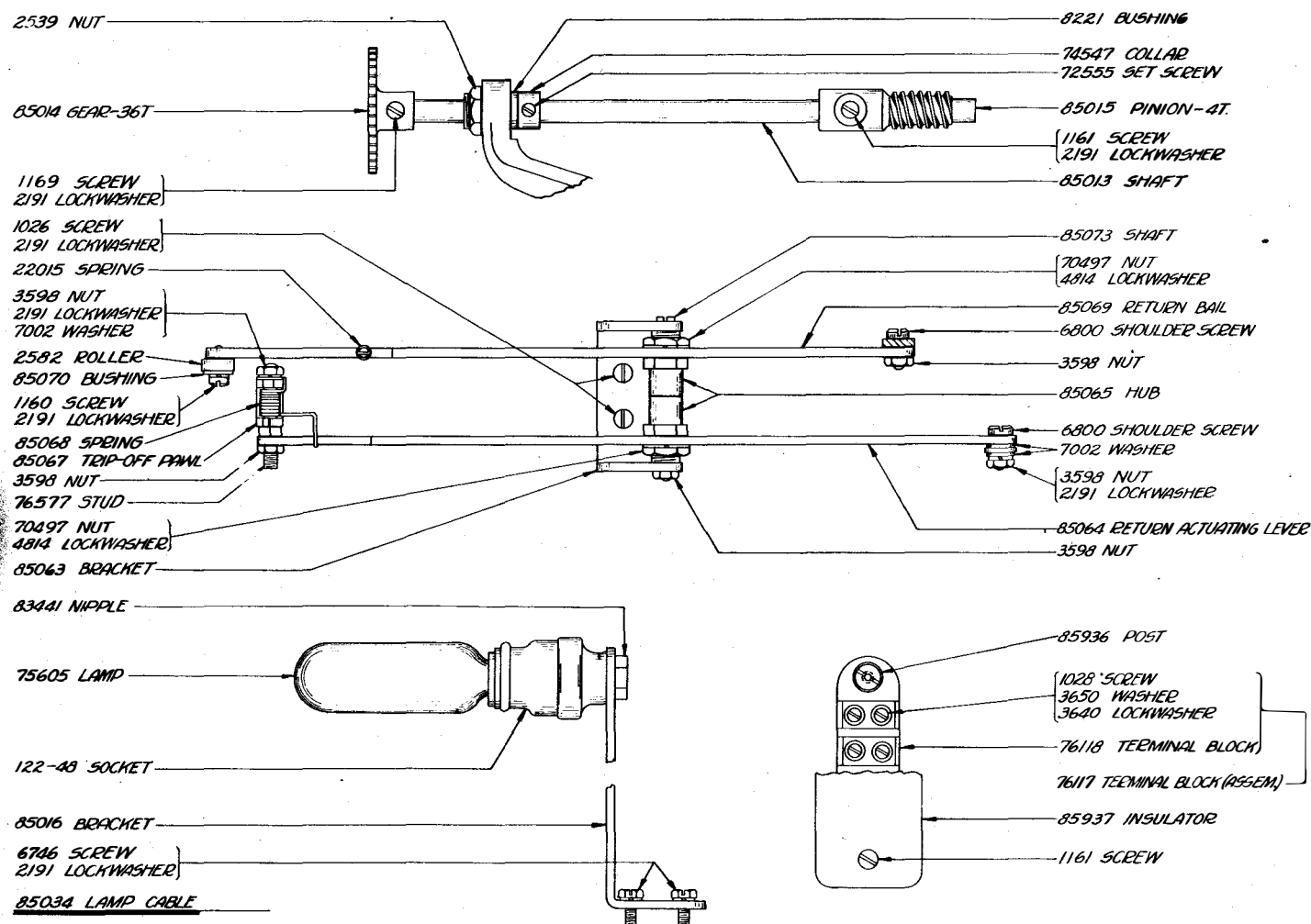
SELECTOR BAR LINKS		
NO. STAMPED ON LINK	CATALOG NUMBER	NO. REQ.
A	85141	1
B	85144	1
C	85146	1
D	85148	1

LOOKING AT FRONT OF COUNTING SELECTOR UNIT

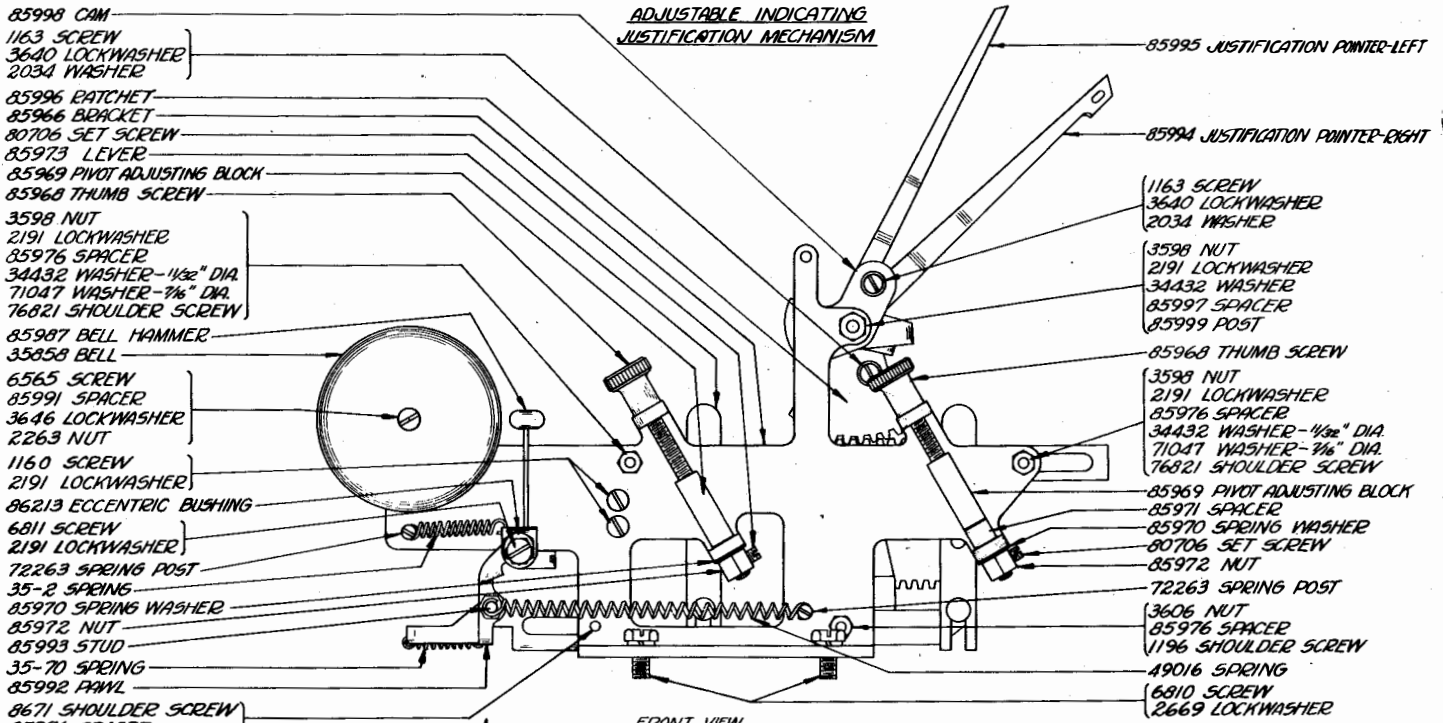




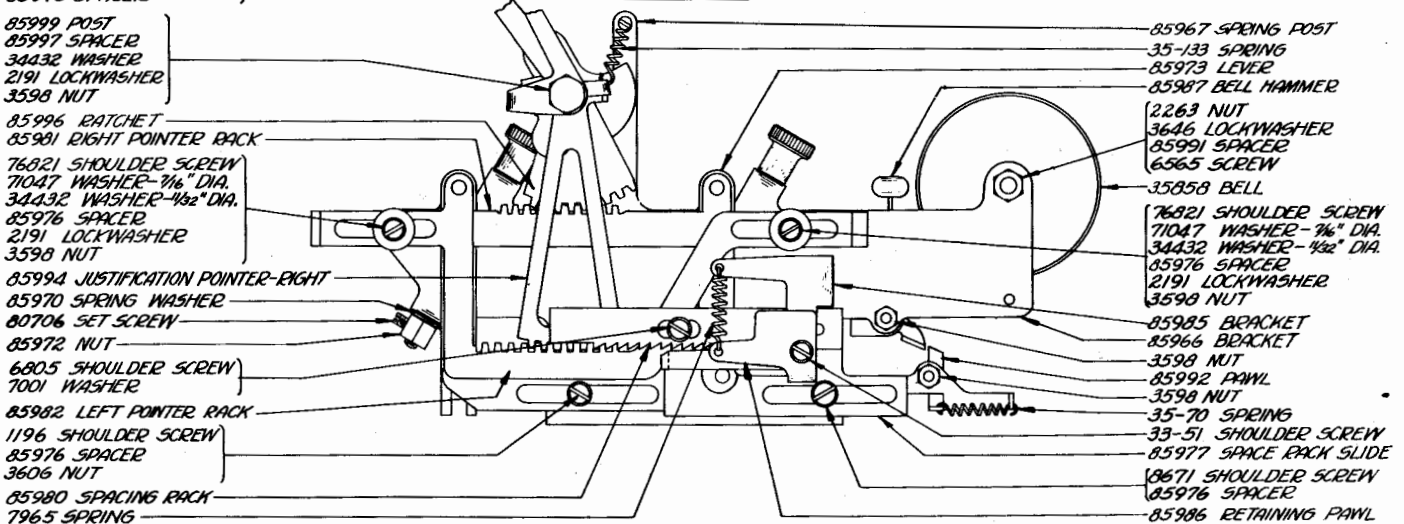
LOOKING AT RIGHT SIDE



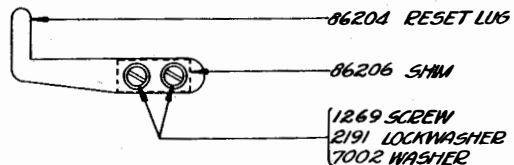
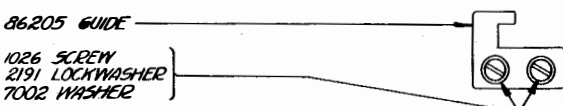
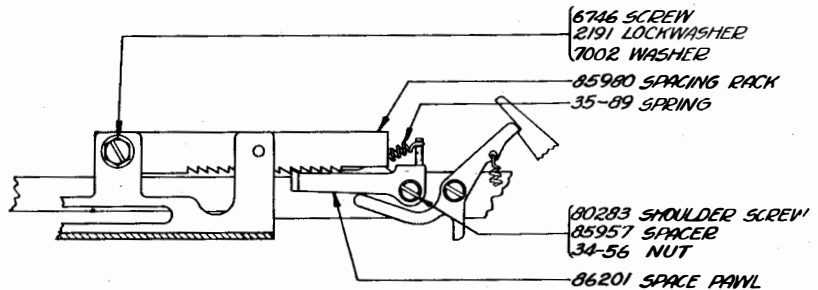
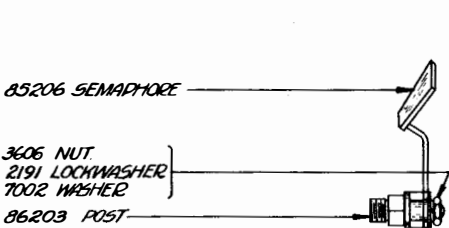
ADJUSTABLE INDICATING
JUSTIFICATION MECHANISM

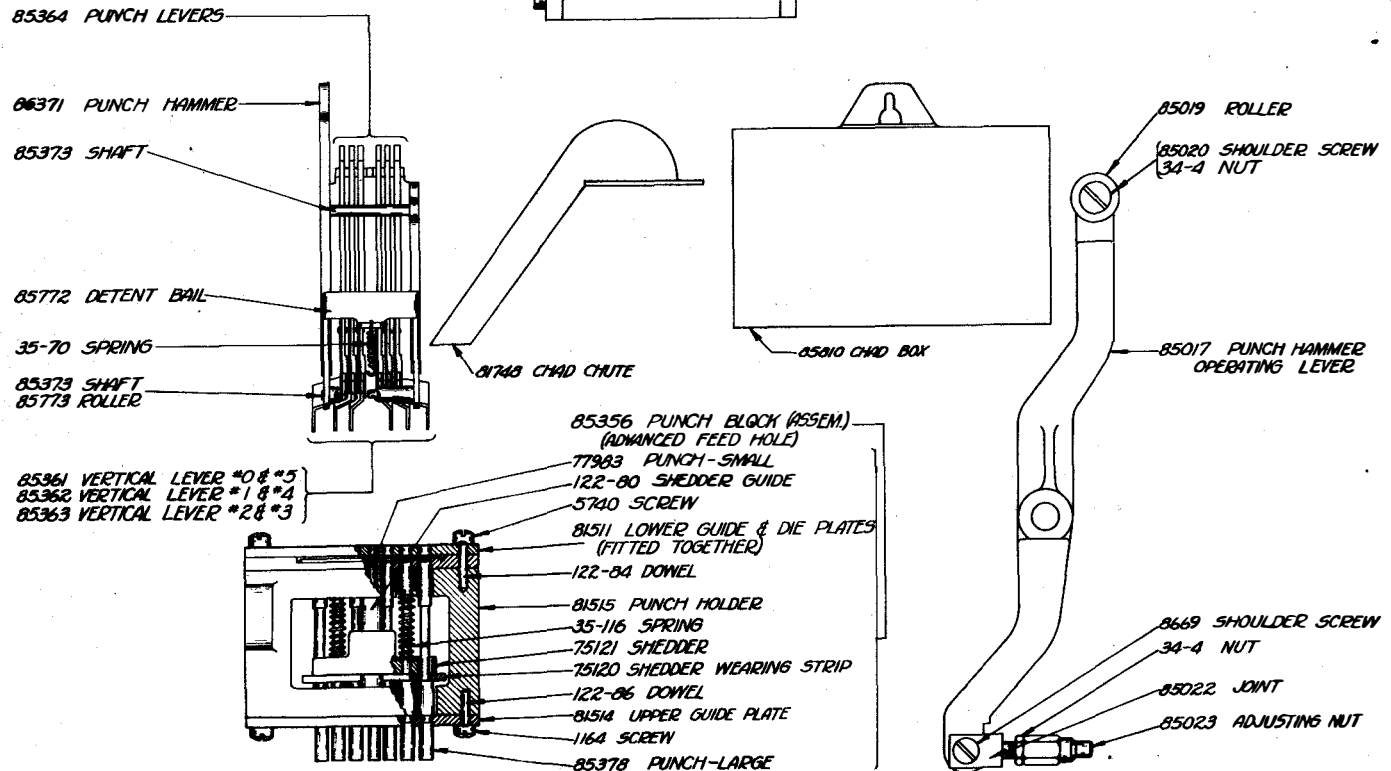
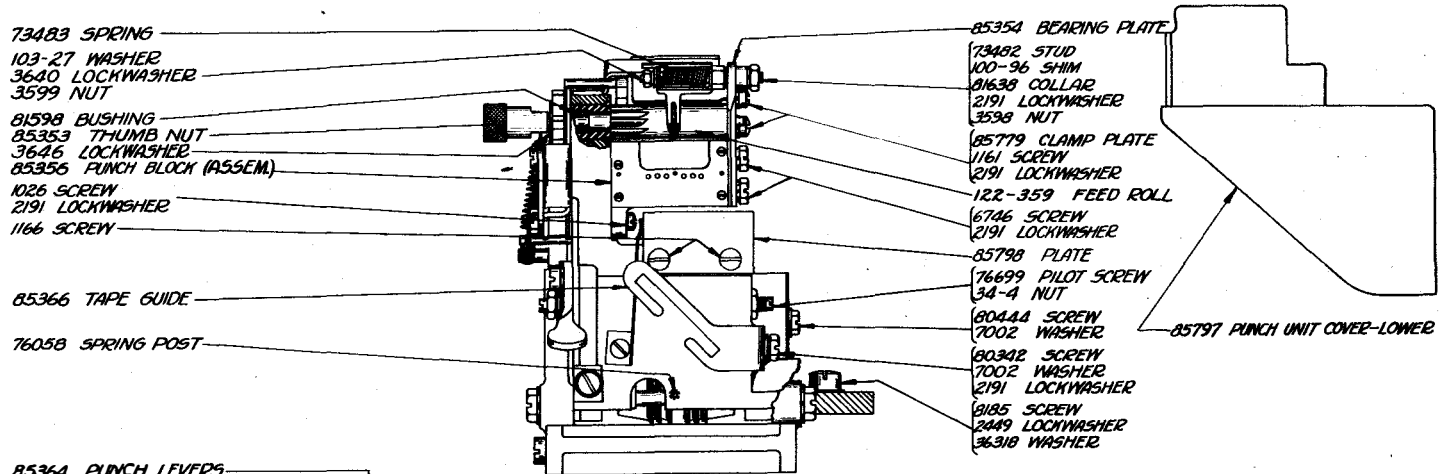
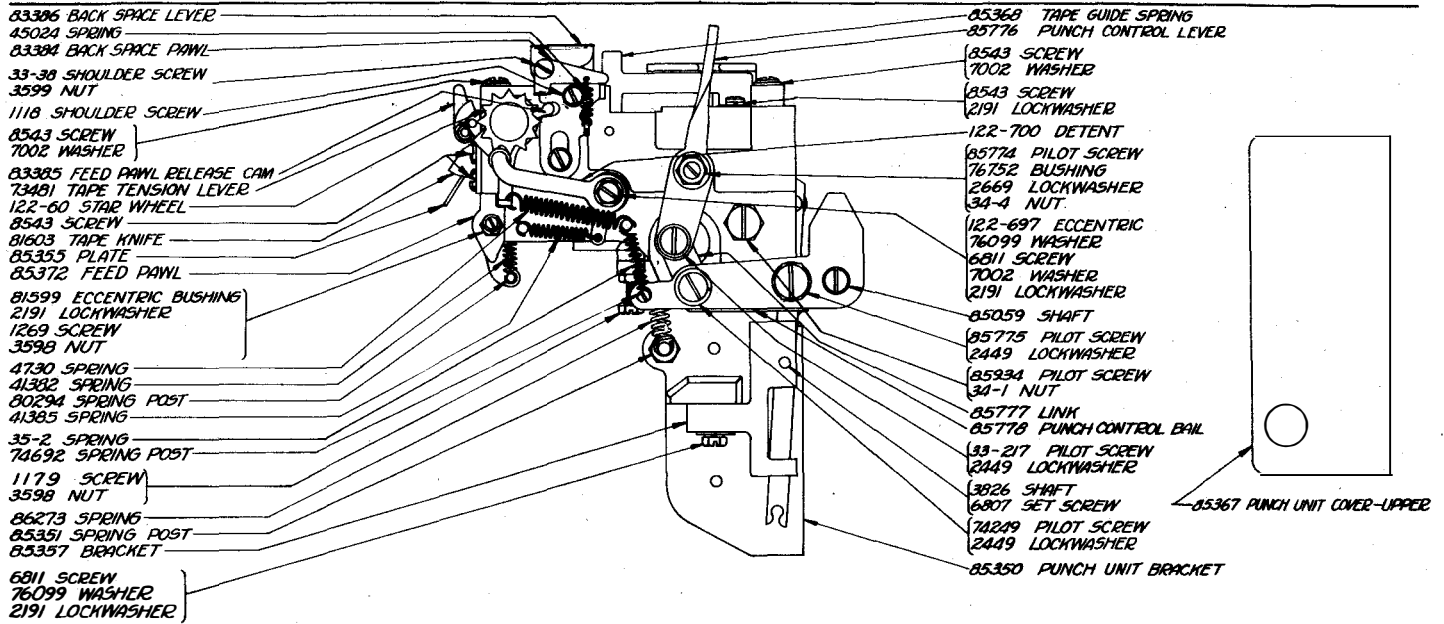


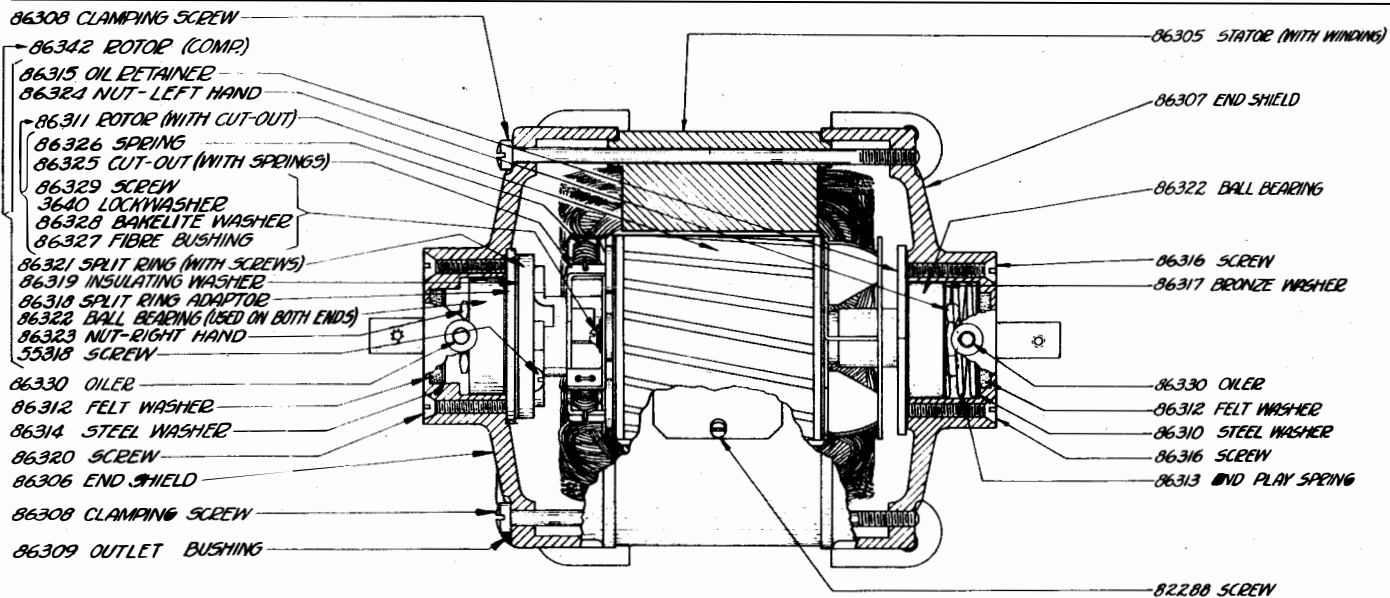
FRONT VIEW



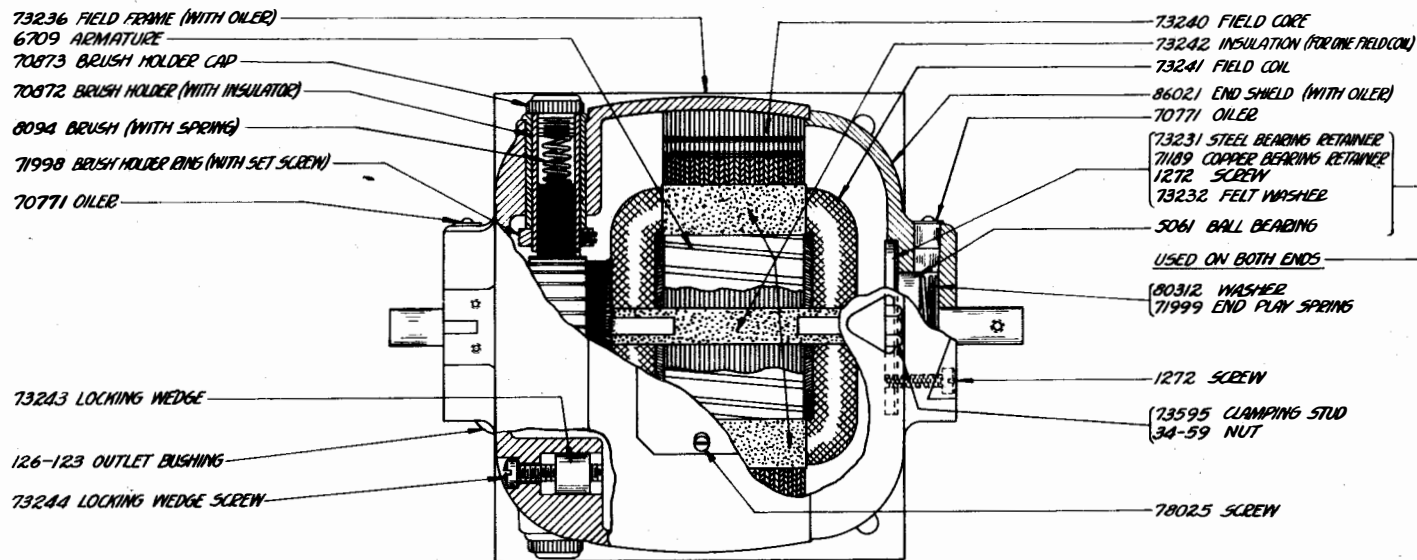
REAR VIEW



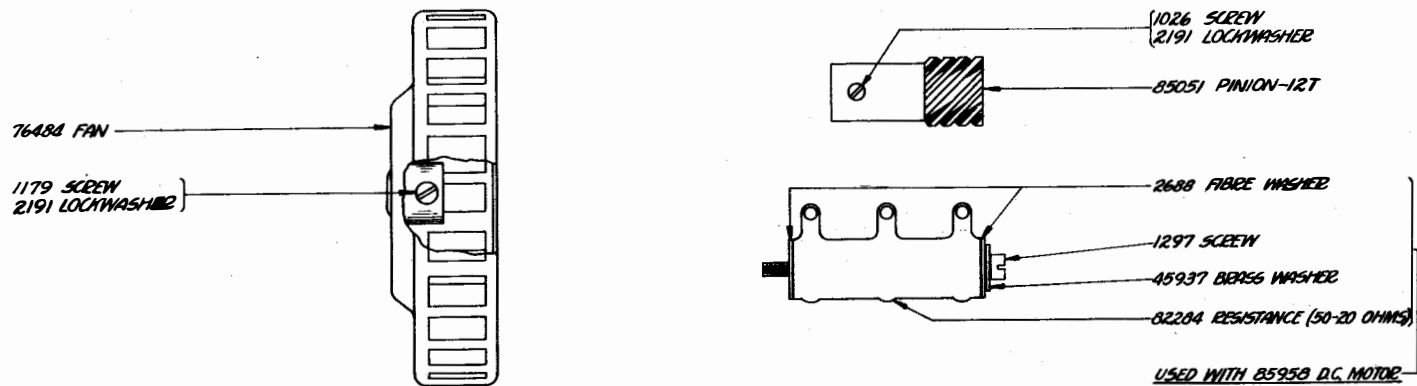


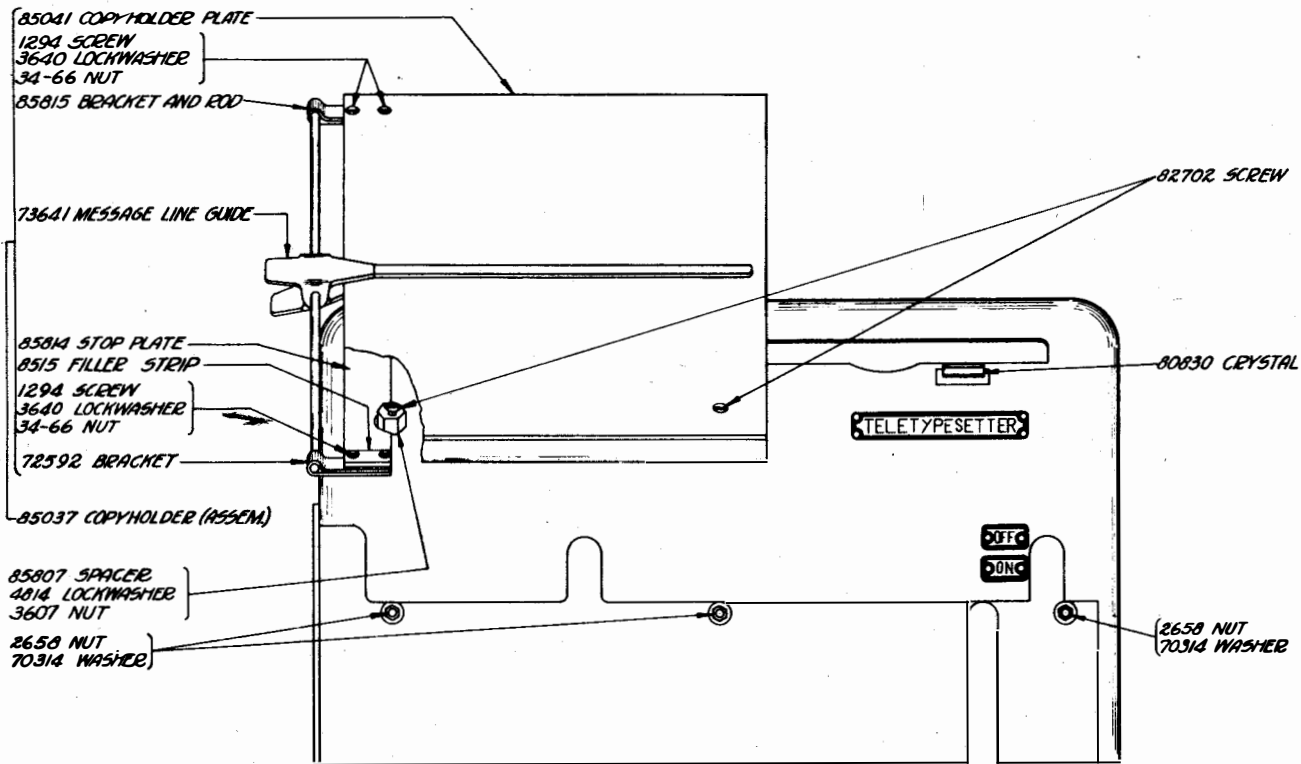


83799 SYNCHRONOUS MOTOR, 1/20 H.P., 110 V., A.C. 60 CYCLE. (H-C MODEL #820338 P.H.)



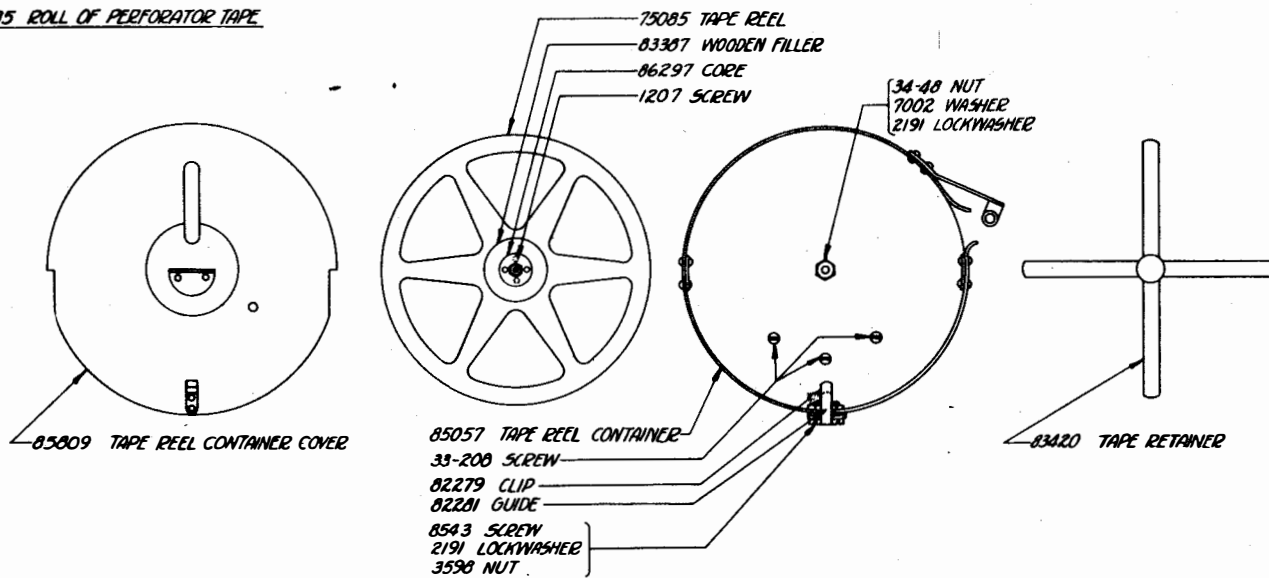
85958 MOTOR, 1/20 H.P., 110 V., D.C. (G. E. MODEL #23479)





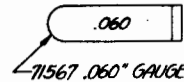
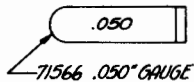
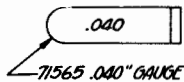
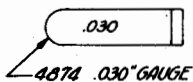
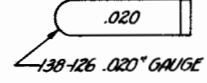
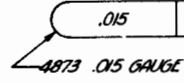
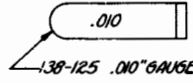
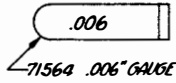
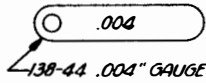
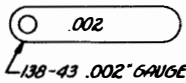
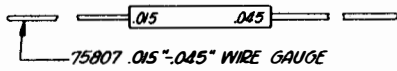
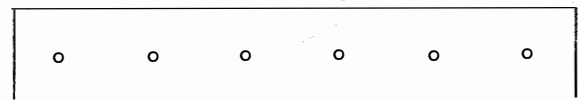
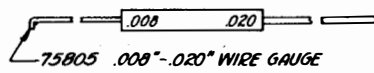
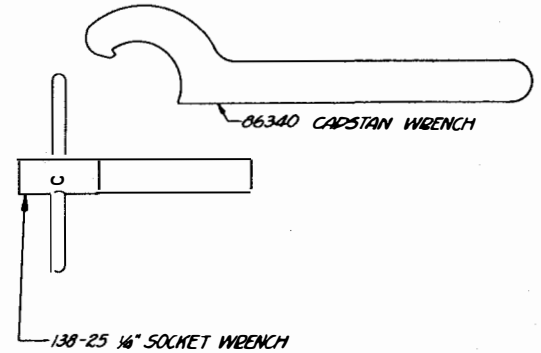
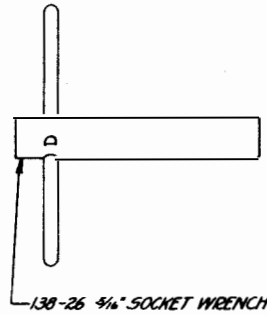
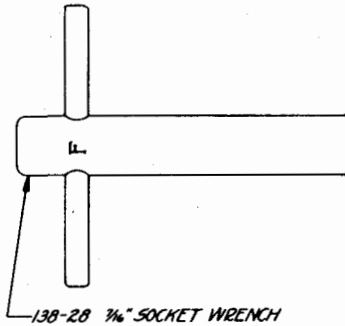
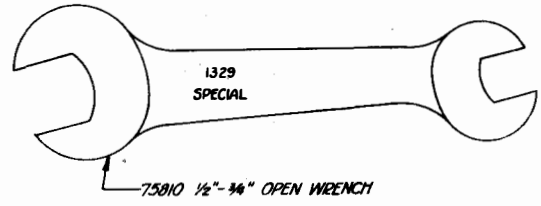
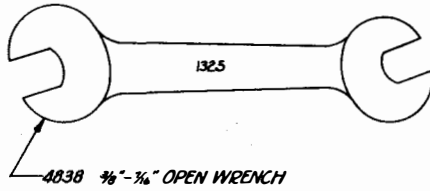
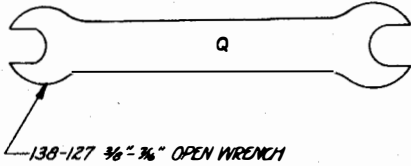
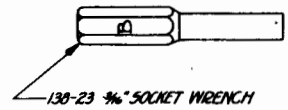
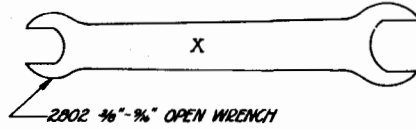
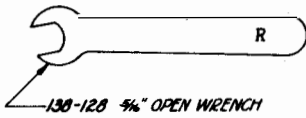
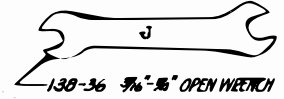
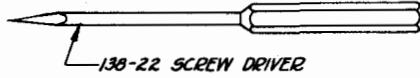
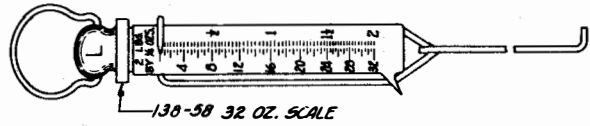
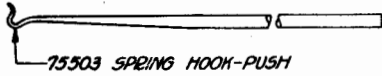
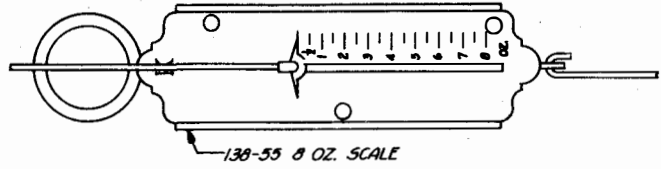
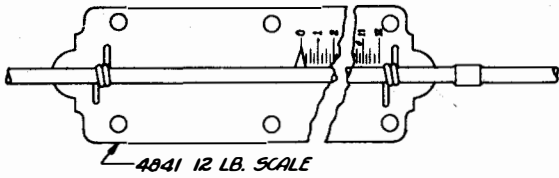
C80 COVER UNIT (ASSEM)

82685 ROLL OF PERFORATOR TAPE



SPRING CUSHION KEYPADS

DESCRIPTION	CATALOG NUMBER	DESCRIPTION	CATALOG NUMBER	DESCRIPTION	CATALOG NUMBER	DESCRIPTION	CATALOG NUMBER
BLANK	78971	THIN SPACE	85048	A	85864	Z	85880
.	78979	EN SPACE	85849	S	85865	X	85881
!	85834	Q	88850	D	85866	C	85882
1 ffl	85835	W	85851	F	85867	V	85883
2 ffl	85836	E	85852	G	85868	B	85884
3 ?	85837	R	85853	H	85869	N	85885
4 *	85838	T	85854	J	85870	M	85886
5 #	85839	Y	85855	K	85871	UNSHIFT	85887
6 lb	85840	U	85856	L	85872	ELEV.	85888
7 &	85841	I	85857	?	85873	P.F.	85890
8 -	85842	O	85858	DET.	85874	TAPE	85932
9 fi	85843	P	85859	EM LD	85875		
0 fl	85844	-	85860	BELL	85876		
;	85845	EN LD	85861	L.B. U.R.	85877		
;	85846	VERT. RULE	85862	↓	85878		
RUB OUT	85847	EM SPACE	85863	SHIFT	85879		



86301 SET OF TOOLS

NUMERICAL INDEX

C80	Cover Unit (Assem.), 9	1272	6-40x5/8 Screw, 8	36315	Spring, 3
33-38	4-40 Shoulder Screw, 5,7	1294	4-36x1/2 Screw, 9	36318	Washer, 7
33-45	4-40x1/4 Screw, 3	1297	6-40x3/8 Screw, 8	41382	Spring, 7
33-50	4-40 Shoulder Screw, 4	2034	Washer, 4,6	41385	Spring, 7
33-51	4-40 Shoulder Screw, 6	2191	Lockwasher, 1,2,3,4,5,6,7,8,9	41732	Clamping Plate, 4
33-57	2-56x9/32" Screw, 5			41733	Insulator, 4
33-123	4-40 Shoulder Screw, 3	2215	Tape Gauge, 10	45024	Spring, 7
33-143	6-40 Stop Screw, 2	2263	8-32 Hex. Nut, 6	45937	Brass Washer, 8
33-170	4-40 Shoulder Screw, 3	2322	Lockwasher, 1	49016	Spring, 6
33-185	6-40 Shoulder Screw, 3	2382	Lockwasher, 2	55318	6-32x1/4 Screw, 8
33-208	10-32 x 13/32" Screw, 9	2422	Lockwasher, 5	70314	Washer, 9
33-217	1/4"-32 Pilot Screw, 7	2449	Lockwasher, 1,7	70497	5/16-32 Hex. Nut, 2,5
33-334	4-40 Screw, 4	2539	3/8"-32 Hex. Nut, 1,2,5	70529	Stiffener, 4
33-347	6-40 Shoulder Screw, 4	2566	Space Bar Loop Spring, 1	70771	Oiler, 8
34-1	1/4"-32 Hex. Nut, 7	2582	Roller, 3,4,5	70872	Brush Holder (With Insulator), 8
34-4	10-32 Hex. Nut, 3,7	2658	6-32 Hex. Nut, 9		Brush Holder Cap, 8
34-48	6-32 Hex. Nut, 9	2663	Rubber Buffer, 1	70873	Washer, 2
34-56	4-40 Hex. Nut, 3,4,6	2669	Lockwasher, 1,2,3,4,5,6,7	70886	Washer, 6
34-59	10-30 Hex. Nut, 8			71047	Shim, 1
34-66	4-36 Hex. Nut, 9	2688	Fibre Washer, 8	71156	Copper Bearing Retainer, 8
35-2	Spring, 6,7	2789	Shaft, 2	71189	.006" Gauge, 10
35-68	Spring, 4	2802	3/8"-9/16" Open Wrench, 10	71564	.040" Gauge, 10
35-70	Spring, 2,4,6,7	3248	Shaft, 2	71565	.050" Gauge, 10
35-71	Spring, 4	3298	Eccentric Stop, 2	71566	.060" Gauge, 10
35-89	Spring, 4,6	3339	9/16-32 Hex. Nut, 2	71567	6-40 Shoulder Screw, 4
35-104	Spring, 2,3	3438	Washer, 4,5	71593	Brush Holder Ring (With Set Screw), 8
35-116	Spring, 7	3543	Spring, 1	71998	End Play Spring, 8
35-133	Spring, 4,6	3595	1/4-32 Hex. Nut, 2,5		Spring Post, 1,3,6
100-96	Shim, 7	3598	6-40 Hex. Nut, 1,2,3,4,5,6,7,9	71999	Spring Post, 4,5
103-27	Washer, 3,7			72263	Oil Wick, 2
122-48	Socket, 5	3599	4-40 Hex. Nut, 1,2,3,4,5,7	72284	Oil Wick, 2
122-60	Star Wheel, 7	3606	6-40 Hex. Nut, 1,3,5,6	72521	Bearing Post, 1
122-80	Shedder Guide, 7	3607	3/8"-32 Hex. Nut, 9	72522	Set Screw, 5
122-84	Dowel, 7	3640	Lockwasher, 2,3,4,5,6,7,8,9	72545	Washer, 2
122-86	Dowel, 7			72579	Bracket, 9
122-108	Bushing, 4	3646	Lockwasher, 6,7	72592	6-40 Shoulder Screw, 1, 3
122-194	Key Packing, 3	3650	Washer, 5	72643	Bearing, 2
122-195	Celluloid Cover, 3	3826	Shaft, 7	72644	Lockwasher, 2
122-196	Small Bezel, 3	4730	Spring, 7	73175	Toggle Switch, 1
122-359	Feed Roll, 7	4809	Oil Wick, 2	73180	Steel Bearing Retainer, 8
122-697	Eccentric, 7	4814	Lockwasher, 5,9	73231	Felt Washer, 8
122-700	Detent, 7	4838	3/8"-7/16" Open Wrench, 10	73232	Field Frame (With Oiler), 8
123-123	Roller, 3	4841	12 Lb. Scale, 10	73236	Field Core, 8
126-123	Outlet Bushing, 8	4873	.015" Gauge, 10	73240	Field Coil, 8
138-22	Screw Driver, 10	4874	.030" Gauge, 10	73241	Insulation (for one Field Coil), 8
138-23	3/16" Socket Wrench, 10	5061	Ball Bearing, 8	73242	Locking Wedge, 8
138-25	1/4" Socket Wrench, 10	5740	.256-1/4 Screw, 7	73243	Locking Wedge Screw, 8
138-26	5/16" Socket Wrench, 10	6565	8-32x1-1/4 Screw, 6	73276	(6-40) Shoulder Screw, 4
138-28	7/16" Socket Wrench, 10	6709	Armature, 8	73481	Tape Tension Lever, 7
138-34	1/4" Open Wrench, 10	6745	10-32x1/2 Screw, 1,4	73482	Stud, 7
138-36	3/16"-1/4" Open Wrench, 10	6746	6-40x5/16 Screw, 1,2,3,4,5,6,7	73483	Spring, 7
138-43	.002" Gauge, 10	6800	6-40 Shoulder Screw, 4,5	73595	Clamping Stud, 8
138-44	.004" Gauge, 10	6805	6-40 Shoulder Screw, 6	73641	Message Line Guide, 9
138-55	8 Oz. Scale, 10	6807	6-40 Set Screw, 2,3,7	74011	6-40 Shoulder Screw, 4
138-58	32 Oz. Scale, 10	6810	10-32x3/8 Screw, 6	74017	6-40 Shoulder Screw, 4
138-125	.010" Gauge, 10	6811	6-40x5/8 Screw, 1,2,3,6,7	74110	Stud, 2
138-126	.020" Gauge, 10	6814	6-40 Pilot Screw, 2	74112	10-32 Pilot Screw, 5
138-127	3/8"-7/16" Open Wrench, 10	6835	Washer, 5	74249	1/4-32 Pilot Screw, 7
138-128	5/16" Open Wrench, 10	6994	Bearing, 2	74449	Bushing, 2
200-214	Shim, 2	7001	Washer, 3,6	74547	Collar, 5
1026	6-40x3/8 Screw, 1,2,3,4,5,6,7,8	7002	Washer, 1,2,3,4,5,6,7,9	74692	Spring Post, 7
1028	4-40x1/4 Screw, 5	7036	Collar, 5	74728	Terminal, 4
1041	6-40 Shoulder Screw, 3	7334	Post, 1	74738	10-32 Shoulder Screw, 1
1047	6-40 Shoulder Screw, 4	7378	Roller, 4	74964	Contact Spring, 4
1098	6-40 Shoulder Screw, 2,3	7384	Oil Cup, 2	74986	6-40x13/32 Screw, 2
1109	10-32 Set Screw (Oil Retainer), 2,3	7389	Return Clutch (Driving Member), 2	75085	Tape Reel, 9
1113	1/4"-20x11/16 Screw, 1	7391	Return Clutch (Driven Member), 2	75120	Shedder Wearing Strip, 7
1118	6-40 Shoulder Screw, 4,7			75121	Shedder, 7
1121	10-32x3/8 Screw, 1	7392	Spring, 2	75503	Spring Hook - Push, 10
1159	4-40x3/4 Screw, 2	7615	Spring, 4	75605	Lamp, 5
1160	6-40x5/16 Screw, 4,5,6	7815	Washer, 2	75765	Spring Hook - Pull, 10
1161	6-40x1/4 Screw, 5,7	7965	Spring, 3,6	75805	.008"- .020" Wire Gauge, 10
1162	4-40x1/4 Screw, 2,3,4	8094	Brush (With Spring), 8	75806	.010"- .040" Wire Gauge, 10
1163	4-40x3/16 Screw, 4,5	8185	1/4"-20x3/4 Screw, 7	75807	.015"- .045" Wire Gauge, 10
1164	2-56x3/16 Screw, 7	8221	Bushing, 5	75810	1/2"-3/4" Open Wrench, 10
1166	4-32x1/4 Screw, 7	8515	Filler Strip, 9	76036	"T" Transfer Lever, 3
1169	6-40x7/16 Screw, 1,3,2,5	8539	6-40x1/2 Screw, 2,4	76037	Bushing, 3
1176	6-40x3/16 Set Screw, 2,3	8543	6-40x1/4 Screw, 1,3,7,9	76038	Spacer, 3
1179	6-40x5/8" Screw, 5,7,8	8669	6-0 Shoulder Screw, 7	76058	Spring Post, 7
1196	6-40 Shoulder Screw, 3,4,5,6	8671	6-40 Shoulder Screw, 6	76067	Gear Hub, 2
1206	4-40x9/16 Screw, 4	21397	Spring Washer, 4	76084	Friction Washer, 2
1207	4-36x5/16 Screw, 9	22015	Spring, 5	76099	Washer, 7
1208	10-32x5/8 Screw, 1,3	27492	Spring, 3	76117	Terminal Block (Assem.), 5
1223	10-32x1/2 Screw, 1	33828	Spring, 4,5	76118	Terminal Block, 5
1225	6-40 Stop Screw, 4	34432	Washer, 1,2,6	76271	6-40 Shoulder Screw, 5
1268	.138"-40x1/4 Screw, 2	35503	Rubber Foot, 1	76298	Spring, 3
1269	6-40x1/2 Screw, 1,2,3,6,7	35858	Bell, 6		

NUMERICAL INDEX

76318	Adjusting Screw, 2	85057	Tape Reel Container, 9	85185	Code Bars (F-1), 3
76414	Stop Pin, 2	85059	Shaft, 7	85186	Universal Bar (UB), 3
76417	Roller, 2	85063	Bracket, 5	85188	Shift Lever, 3
76484	Fan, 8	85064	Return Actuating Lever, 5	85190	Unshift Lever, 3
76555	Washer, 2	85065	Hub, 5	85195	Bracket, 4
76577	Stud, 4,5	85067	Trip-off Pawl, 5	85196	Scale Support, 4
76699	10-32 Pilot Screw, 7	85068	Spring, 5	85197	Indicator Stop Bracket, 4
76752	Bushing, 7	85069	Return Bail, 5	85198	10-32 Screw, 4
76804	Spring, 2	85070	Bushing, 5	85199	Stop Arm, 4
76821	6-40 Shoulder Screw, 6	85073	Shaft, 5	85201	Justification Pointer - Right, 4,5
77051	Spring Post, 4	85080	Base (Black), 1	85203	Justification Pointer - Left, 4,5
77983	Punch - Small, 7	85081	Bearing Post, 1	85204	Cam, 4,5
78025	4-48x3/16 Screw, 8	85082	Bottom Keylever (12), 1	85206	Semaphore, 6
78028	6-40x5/8 Screw, 3	85083	Lower Keylever (14), 1	85207	Spring Post, 4
78103	6-40x3/8 Screw, 2	85084	Top Keylever (15), 1	85208	Gear Segment, 4
78301	10-32x5/8 Screw, 2	85085	Upper Keylever (15), 1	85210	Ratchet, 4
78550	"Y" Lever Guide, 3	85090	Shift, Unshift, and B.F. Roman Keylever (3), 1	85213	Bracket, 4
78551	Shaft, 3	85093	Shaft, 3	85214	Contact Operating Lever, 4
78552	Retainer, 3	85094	Keylever Guide - Rear, 1	85216	Swivel, 4
78971	Spring Cushion Keytop (Blank), 9	85095	Keylever Guide - Front, 1	85217	Retaining Pawl, 4
78979	Spring Cushion Keytop (.), 9	85096	Spacer Bar Loop, 1	85218	Spring Arm, 4,5
80283	4-40 Shoulder Screw, 6	85097	Shaft, 1	85220	Pointer Bracket, 5
80294	Spring Post, 1,4,7	85098	Space Bar, 1	85223	Counting Pointer, 5
80312	Washer, 8	85099	Keylever Spring Plate, 1	85224	Friction Disc, 5
80342	6-40x3/8 Screw, 7	85100	Bracket, 1,3	85225	Spring, 5
80444	6-40x1/4 Screw, 2,4,7	85103	Shift Bail, 1	85229	Bell Crank, 5
80509	Spring Post, 4	85104	Shift Bracket, 3	85230	Link, 5
80592	Contact Spring, 4	85105	Shift Bail Extension, 3	85233	Shaft, 5
80635	Bushing, 4	85106	Counting Code Keylever (6-6), 3	85235	Release Lever, 4
80706	6-40 Set Screw, 6	85107	" " " (9-9), 3	85236	Link, 4
80830	Crystal, 9	85108	" " " (18-18), 3	85246	Hub, 5
81511	Lower Guide & Die Plates (Fitted together), 7	85109	" " " (9-18), 3	85247	Gear - 75 T, 5
81514	Upper Guide Plate, 7	85110	" " " (11-14), 3	85248	Bracket, 4
81515	Punch Holder, 7	85111	" " " (9-12), 3	85249	Base (with Bearing Caps, Screws & Lockwashers), 2
81598	Bushing, 7	85112	" " " (15-18), 3	85251	Stop Lever, 3
81599	Eccentric Bushing, 7	85113	" " " (9-11), 3	85252	10-32 Shoulder Screw, 3
81603	Tape Knife, 7	85114	" " " (11-15), 3	85253	Roller, 3
81638	Collar, 7	85115	" " " (6-18), 3	85254	6-40 Eccentric Shoulder Screw, 3
81748	Chad Chute, 7	85116	" " " (10-15), 3	85255	Stop Lever Latch, 3
81749	Cable Guard, 1	85117	" " " (9-14), 3	85257	Non-Repeat Latch, 3
82279	Clip, 9	85118	" " " (7-11), 3	85260	Bracket, 2
82281	Guide, 9	85119	" " " (6-8), 3	85261	Roller, 2
82284	Resistance (50-20 Ohms), 8	85120	" " " (7-13), 3	85262	Stud, 2
82288	4-40x1/4 Screw, 8	85121	" " " (6-13), 3	85265	Transfer Bail, 3
82313	Clip, 1	85122	" " " (10-14), 3	85266	Shaft, 3
82685	Roll of Perforator Tape, 9	85123	" " " (10-13), 3	85267	Transfer Bail Arm, 3
82702	6-40x7/32 Screw, 9	85124	" " " (9-15), 3	85268	Transfer Bail Bracket, 2
82860	Spring, 3	85125	" " " (7-14), 3	85269	Spring Bracket, 2,3
82912	Character (RPT), 3	85126	" " " (9-13), 3	85270	Shaft, 3
83384	Back Space Pawl, 7	85127	Universal Bar, 3	85273	Zero Lever Bail, 2
83385	Feed Pawl Release Cam, 7	85128	Connecting Link, 3	85276	Zero Lever Support, 2
83386	Back Space Lever, 7	85129	6-40 Shoulder Screw, 3	85279	Zero Lever Bail Support, 2
83387	Wooden Filler, 9	85130	Bottom Plate, 1	85281	Cross Shaft and Gear, 2
83420	Tape Retainer, 9	85135	Selector Bar Link (A), 3	85282	Gear-38 T, 2
83441	Nipple, 5	85141	Selector Bar Link (B), 3	85283	Spacer Bail, 4
83799	Synchronous Motor 1/40 H.P., 110 V., A.C., 60 Cycle, 8	85144	Selector Bar Link (C), 3	85284	Shaft, 4
85002	Plunger Guide, 1,3	85146	Selector Bar Link (D), 3	85285	Bracket, 2
85003	Plunger, 3	85148	Selector Bar Links #1 & #2, 3	85286	Return Clutch Throwout Lever, 2
85010	Guide, 1	85153	Selector Bar Link #3, 3	85291	Shaft, 2
85013	Shaft, 5	85154	Selector Bar Link #4, 3	85296	Worm Shaft, 2
85014	Gear - 36T, 5	85155	Selector Bar Link #5 & #6, 3	85309	Clutch, 2
85015	Pinion - 4T, 5	85156	Universal Bar Link, 3	85310	Spring, 2
85016	Bracket, 5	85157	Bracket, 3	85312	Start Disc, 2
85017	Punch Hammer Operating Lever, 7	85159	Guide - Right, 3	85313	Friction Disc, 2
85019	Roller, 7	85160	"Y" Lever Guide, 3	85314	Spring, 2
85020	10-32 Shoulder Screw, 7	85161	Guide - Left, 3	85315	Nut, 2
85022	Joint, 7	85162	Shaft, 3	85316	Return Cam, 2
85023	Adjusting Nut, 7	85163	Counting Selector Bar (CA-1), 3	85317	Pin, 2
85024	Shift Bail Stop Plate, 1,3	85164	" " " (CB-1), 3	85318	Leather Washer, 2
85026	Link, 3,5	85165	" " " (CC-1), 3	85319	Oil Plug, 2
85030	Reset Lug, 1	85166	" " " (CD-1), 3	85320	Gear - 75 Teeth, 2
85031	Bracket, 1	85167	Retainer, 3	85321	Spacer, 2
85034	Lamp Cable, 5	85168	Shim, 3	85322	Gear - 48 Teeth, 2
85035	Cable, 1	85169	Counting Selector Lever, 3	85324	Start Disc, 2
85037	Copyholder (Assem.), 9	85170	Shaft, 3	85325	Spacer, 2
85041	Copyholder Plate, 9	85172	Selector Bar Bracket, 3	85326	Gear (Assem.), 2
85043	Extension, 4	85173	Code Bars (A-2), 3	85328	Stop Blade, 2
85045	Feed Pawl, 4	85174	" " (A-1), 3	85329	Garter Spring, 2
85046	Bushing, 4	85175	" " (B-2), 3	85330	Reset Collar, 2
85048	Intermediate Pawl, 4	85176	" " (B-1), 3	85331	Drive Arm, 2
85049	Latch, 4	85177	" " (C-2), 3	85332	3/16-40 Nut, 2
85051	Pinion - 12T, 8	85178	" " (C-1), 3	85333	Bracket, 2
85052	Shift Bail Detent, 3	85179	" " (D-2), 3	85334	Fulcrum Disc, 2
		85180	" " (D-1), 3		
		85181	" " (E-2), 3		
		85182	" " (E-1), 3		
		85183	" " (F-2), 3		
		85184			

NUMERICAL INDEX

85335	Guide Disc, 2	Spring Cushion Keytops, Page 9	85976	Spacer, 6	
85336	Guide Disc, 2	85834 " " " (\$!)	85977	Space Rack Slide, 6	
85337	Code Disc #1, 2	85835 " " " (1 ffi)	85980	Spacing Rack, 6	
85338	Code Disc #2, 2	85836 " " " (2 ffi)	85981	Right Pointer Rack, 6	
85339	Code Disc #3, 2	85837 " " " (3 ?)	85982	Left Pointer Rack, 6	
85340	Code Disc #4, 2	85838 " " " (4 *)	85985	Bracket, 6	
85341	Bushing, 2	85839 " " " (5 ff)	85986	Retaining Pawl, 6	
85342	Spacer, 2	85840 " " " (6 lb)	85987	Bell Hammer, 6	
85343	Washer, 2	85841 " " " (7 &)	85991	Spacer, 6	
85344	Stud, 2	85842 " " " (8 -)	85992	Pawl, 6	
85345	Index Pin Guide, 2	85843 " " " (9 fi)	85993	Stud, 6	
85346	Shaft, 2	85844 " " " (O fl)	85994	Justification Pointer - Right, 6	
85347	Stop Pin Plunger, 2	85845 " " " (:)	85995	Justification Pointer - Left, 6	
85348	Cover Plate, 2	85846 " " " () ()	85996	Ratchet, 6	
85349	Spring Disc, 2	85847 " " " (Rub O)	85997	Spacer, 6	
85350	Punch Unit Bracket, 7	85848 " " " (Th Sp)	85998	Cam, 6	
85351	Spring Post, 7	85849 " " " (En Sp)	85999	Post, 6	
85353	Thumb Nut, 7	85850 " " " (Q)	86007	Detent, 3	
85354	Bearing Plate, 7	85851 " " " (W)	86021	End Shield (With Oiler), 8	
85355	Plate, 7	85852 " " " (E)	86022	Screw, 1	
85356	Punch Block (Assem.) (Advanced Feed Hole), 7	85853 " " " (R)	86201	Space Pawl, 6	
85357	Bracket, 7	85854 " " " (T)	86203	Post, 6	
85361	Vertical Lever #0 or #5, 7	85855 " " " (Y)	86204	Reset Lug, 6	
85362	Vertical Lever #1 & #4, 7	85856 " " " (U)	86205	Guide, 6	
85363	Vertical Lever #2 & #3, 7	85857 " " " (I)	86206	Shim, 6	
85364	Punch Levers, 7	85858 " " " (O)	86209	Stud, 2	
85366	Tape Guide, 7	85859 " " " (P)	86213	Eccentric Bushing, 6	
85367	Punch Unit Cover - Upper, 7	85860 " " " (- @)	86214	Adjusting Collar, 5	
85368	Tape Guide Spring, 7	85861 " " " (En Ld)	86215	Reset Collar Lever, 2	
85371	Punch Hammer, 7	85862 " " " (V Rule)	86216	4-40 Shoulder Screw, 4	
85372	Feed Pawl, 7	85863 " " " (Em Sp)	86252	Vertical Link, 5	
85373	Shaft, 7	85864 " " " (A)	86253	Release Lever, 5	
85376	Keylever Spring, 1	85865 " " " (S)	86273	Spring, 7	
85378	Punch - Large, 7	85866 " " " (D)	86278	Hub, 2	
85471	10-32-1/2 Screw, 2	85867 " " " (F)	86279	Gear, 2	
85754	Latch Arm, 4	85868 " " " (G)	86296	Spring, 3	
85755	3/8-32 Pilot Screw, 1	85869 " " " (H)	86297	Core, 3	
85756	Unshift Bracket, 3	85870 " " " (J)	86301	Set of Tools, 10	
85760	Sliding Indicator Scale, 4	85871 " " " (K)	86303	Bracket, 3	
85762	Washer, 4	85872 " " " (L)	86304	Spring, 2	
85764	Post, 5	85873 " " " (^ ^)	86305	Stator (With Winding), 8	
85767	Bearing, 5	85874 " " " (Ret)	86306	End Shield, 8	
85772	Detent Bail, 7	85875 " " " (Em Ld)	86307	End Shield, 8	
85773	Roller, 7	85876 " " " (Bell)	86308	Clamping Screw, 8	
85774	10-32 Pilot Screw, 7	85877 " " " (LR UR)	86309	Outlet Bushing, 8	
85775	1/4-32 Pilot Screw, 7	85878 " " " (v v)	86310	Steel Washer, 8	
85776	Punch Control Lever, 7	85879 " " " (Shift)	86311	Rotor, 8	
85777	Link, 7	85880 " " " (Z)	86312	Felt Washer, 8	
85778	Punch Control Bail, 7	85881 " " " (X)	86313	End Play Spring, 8	
85779	Clamp Plate, 7	85882 " " " (C)	86314	Steel Washer, 8	
85780	Locating Plate, 1	85883 " " " (V)	86315	Oil Retainer, 8	
85782	Guide, 3	85884 " " " (B)	86316	8-32-1-3/16 Screw, 8	
85783	Support Plate, 2	85885 " " " (N)	86317	Bronze Washer, 8	
85784	Roller, 2	85886 " " " (M)	86318	Solit Ring Adaptor, 8	
85785	Cross Shaft Bearing, 2	85887 " " " (Unshift)	86319	Insulating Washer, 8	
85787	Zero Lever, 2	85888 " " " (Elev)	86320	8-32-1-1/16 Screw, 8	
85788	Collar, 2	85890 " " " (P F)	86321	Split Ring (With Screws), 8	
85789	Center Guide, 3	85917	Bearing, 2,4	86322	Ball Bearing, 8
85790	Retaining Plate - Long, 1	85931	Spring Post, 2,3	86323	7/16-24 Nut - Right Hand, 8
85791	Spacer, 3	85932	Spring Cushion Keytop (Tape), 9	86324	7/16-24 Nut - Left Hand, 8
85792	Bushing, 3	85933	Bearing Cap, 2	86325	Cutout (with Springs), 8
85793	Stud, 2	85934	1/4-32 Pilot Screw, 7	86326	Spring, 8
85795	Guide Plate, 2	85935	Spring Post, 2,3	86327	Fibre Bushing, 8
85797	Punch Unit Cover - Lower, 7	85936	Post, 5	86328	Bakelite Washer, 8
85798	Plate, 7	85937	Insulator, 5	86329	4-40-7/16 Screw, 8
85800	Shim, 1	85947	String, 4	86330	Oiler, 8
85801	Spacer Rod, 4	85948	Repeat Keylever, 3	86340	Capstan Wrench, 10
85802	Cam Sleeve, 2	85949	Bottom Keylever (12), 1	86341	Set Screw, 2
85803	Spacer, 2	85950	Lower Keylever (14), 1	86342	Rotor (Comp.), 8
85804	Main Shaft, 2	85951	Upper Keylever (15), 1		
85805	Spring, 2	85952	Top Keylever (15), 1		
85806	Repeat Keylever (Assem.), 3	85953	Carriage Return Keylever (1),1		
85807	Spacer, 9	85954	Shift, Unshift, and B.F.Roman Keylever (3), 1		
85809	Tape Reel Container Cover, 9	85956	Eccentric Shoulder Screw, 4		
85810	Chad Box, 7	85957	Spacer, 4,6		
85811	Upstop, 1	85958	Motor, 1/20 H.P., 110 V., D.C., 8		
85814	Stop Plate, 9	85966	Bracket, 6		
85815	Bracket and Rod, 9	85967	Spring Post, 6		
85824	Plunger Ring, 3	85968	Thumb Screw, 6		
85825	Plunger (Assem.), 3	85969	Pivot Adjusting Block, 6		
85826	Retaining Plate - Short, 1	85970	Spring Washer, 6		
85827	Space Keylever, 1,3	85971	Spacer, 6		
85828	Carriage Return Keylever (1), 1	85972	6-40 Hex. Nut, 6		
		85973	Lever, 6		